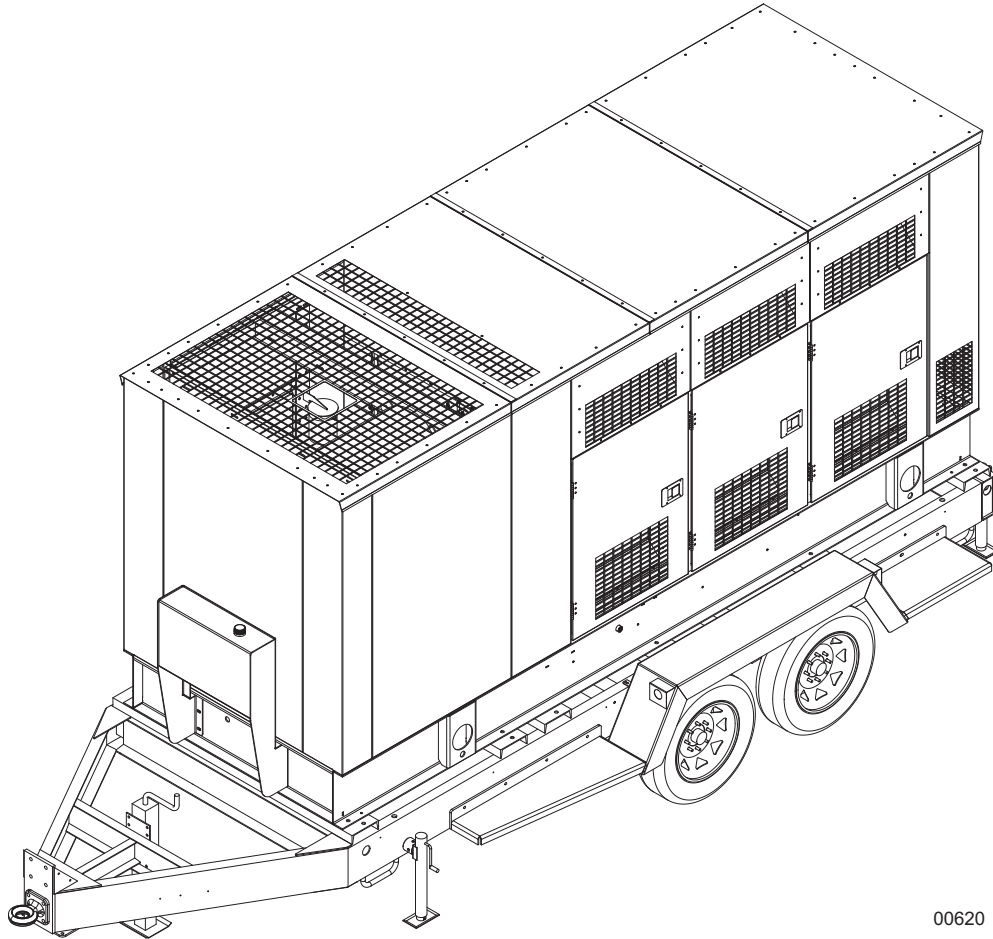


# **MGG210N2**

## *Gaseous Generator Parts Manual*



00620

**MODEL NUMBER:** \_\_\_\_\_

**SERIAL NUMBER:** \_\_\_\_\_

**DATE PURCHASED:** \_\_\_\_\_

 **WARNING**

**CANCER AND REPRODUCTIVE HARM**

[www.P65Warnings.ca.gov](http://www.P65Warnings.ca.gov).

(000393a)

 **WARNING**

Breathing diesel engine exhaust exposes you to chemicals known to the State of California to cause cancer and birth defects or other reproductive harm.

- Always start and operate the engine in a well-ventilated area.
- If in an enclosed area, vent the exhaust to the outside.
- Do not modify or tamper with the exhaust system.
- Do not idle the engine except as necessary.

For more information go to

[www.P65Warnings.ca.gov/diesel](http://www.P65Warnings.ca.gov/diesel). (000394)

# Introduction

This parts manual was prepared based on the information available at the time of publication and is subject to change without notice. Generac Mobile reserves the right to change parts at any time. To check whether a revised parts manual is available, contact Generac Mobile.

DO NOT MODIFY or use this equipment for any application other than which it was designed for. To keep your equipment fully operational, it is suggested you maintain a stock of commonly used maintenance or service parts. A recommended spare parts list can be found in the back of this manual. To order service parts, please go to [www.generacmobileproducts.com](http://www.generacmobileproducts.com) or call Generac Mobile.



## **WARNING**

Consult Manual. Read and understand manual completely before using product. Failure to completely understand manual and product could result in death or serious injury. (000100a)

---

## **WARNING**

Environmental Hazard. Always recycle batteries at an official recycling center in accordance with all local laws and regulations. Failure to do so could result in environmental damage, death, or serious injury. (000228)

---

## **GENERAC MOBILE PRODUCTS LLC**

**215 Power Drive • Berlin, WI 54923 U.S.A.**

**Phone: 920-361-4442**

**FAX: 920-361-4416**

**Toll Free: 1-800-926-9768**

**[www.generacmobileproducts.com](http://www.generacmobileproducts.com)**

**For technical or parts QUESTIONS, contact Generac Mobile Technical Service at 1-800-926-9768.**

Engine Make: \_\_\_\_\_

Engine Serial Number: \_\_\_\_\_

Engine Model Number: \_\_\_\_\_

This Page Intentionally Left Blank

# Table of Contents

Introduction .....	iii
Parts Manual Instructions .....	1
Unit Decals - Exterior .....	2
Unit Decals - Left Side Interior .....	4
Unit Decals - Right Side Interior .....	6
Unit Decals - Control Panel .....	8
Unit Decals - Power Panel .....	10
Doors and Roof to Unit .....	12
Upper and Rear Panels to Unit .....	14
Front Enclosure to Unit .....	16
Left Side Door and Upper Panel Assembly .....	18
Front Enclosure Door Assembly .....	20
Right Rear Door Assembly .....	22
Right Middle Door Assembly .....	24
Power Panel Door Assembly .....	26
Control Door Assembly .....	28
Roof Assembly .....	30
Front and Left Front Panel Assembly .....	32
Left and Right Panel Assembly .....	34
Front Upper Panel Assembly .....	36
Front Corner Panel Assembly .....	38
Rear Corner and Upper Panel Assembly .....	40
Control Box and Power Panel to Unit .....	42
Control Box Assembly .....	44
Control Panel Assembly .....	46
Sub-Panel Assembly .....	48
Power Panel Box Assembly .....	50
Power Panel and Lug Assembly .....	52
Air Filter Assembly .....	54
Exhaust System Assembly .....	56
Cooling System Assembly .....	58
Cooling System Hoses .....	60
Engine and Generator to Unit .....	62
Fuel System Assembly .....	64
Vaporizer Assembly .....	66
Oil Tank Assembly .....	68
Engine Assembly .....	70
Generator Assembly .....	72
Skid Assembly .....	74
Trailer Assembly .....	76
Axle Assembly .....	78
Recommended Spare Parts List .....	80

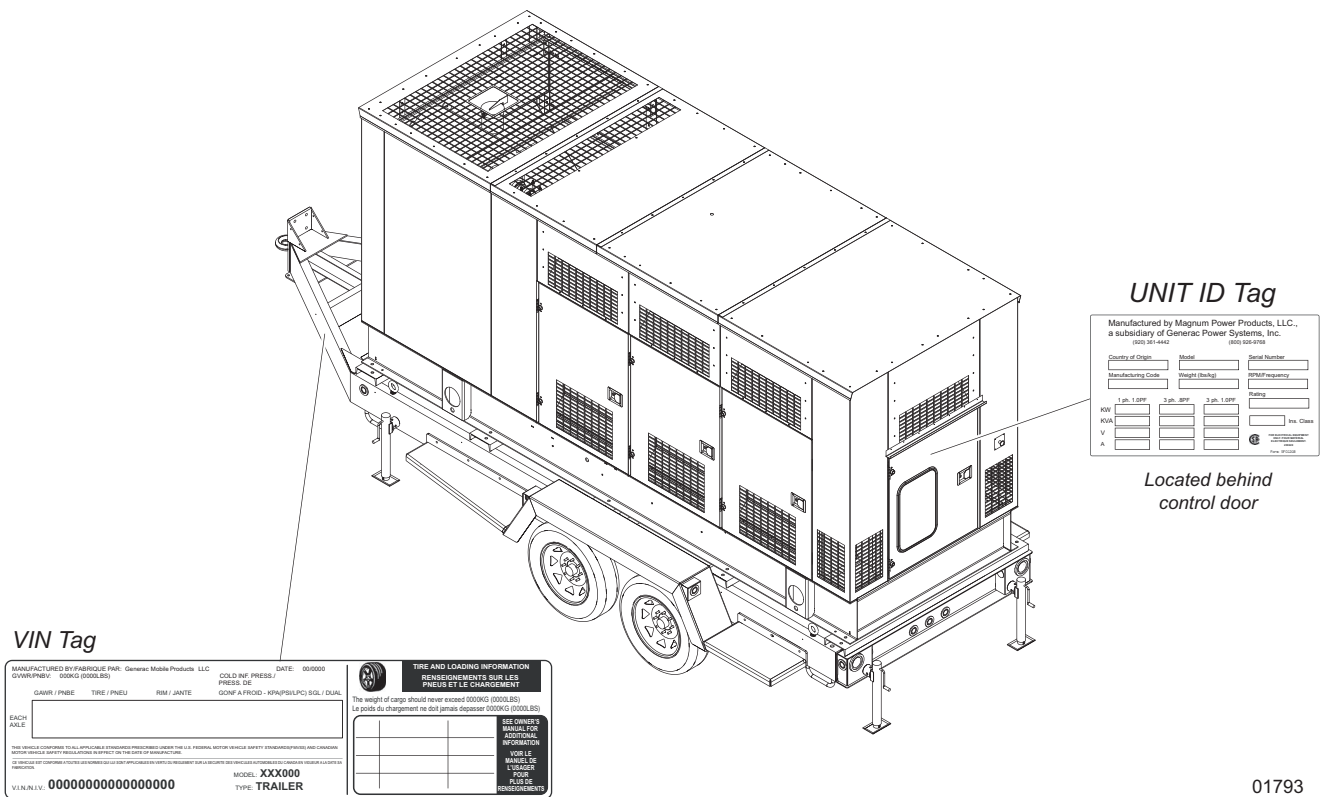
This Page Intentionally Left Blank

# Parts Manual Instructions

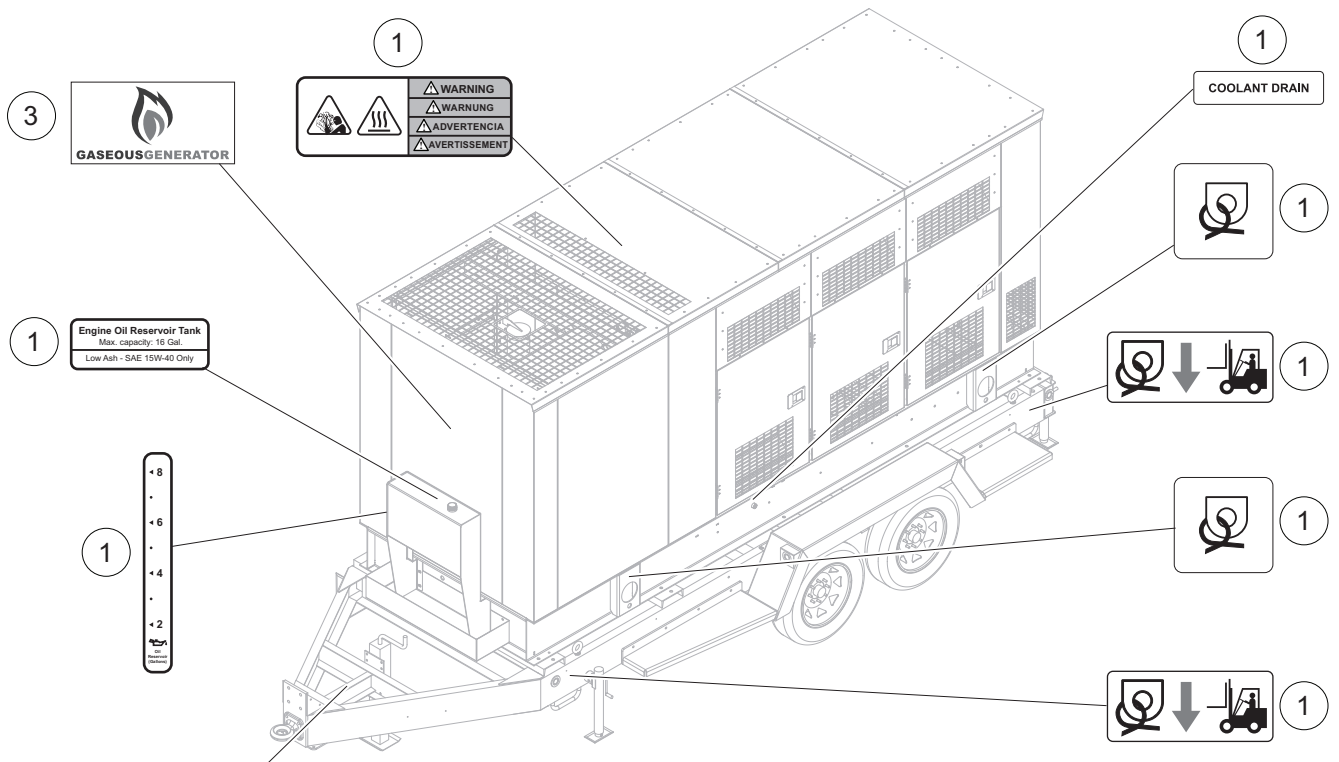
Product illustrations are only representations. Products supplied may vary from the illustrations in this parts manual. Parts not shown in the illustration are indicated by a double dash (--) in the item column.

Please be prepared to provide the following information when ordering replacement parts: model number, serial number (on unit serial tag), part number, purchase order number (if applicable), shipping address, shipping method.

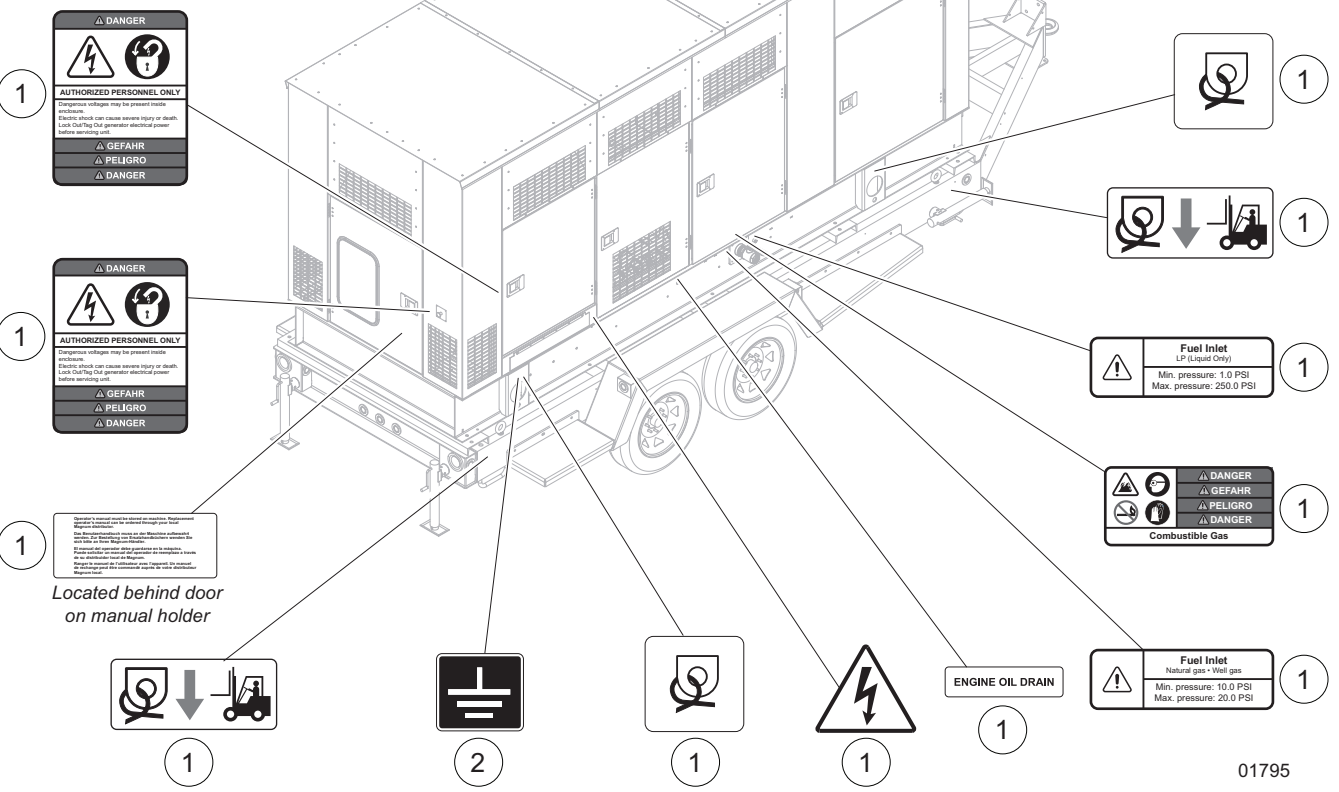
Refer to the illustration below to locate the unit ID tag and Vehicle Identification Number (VIN) tag on the unit. Important information, such as the unit serial number, model number, VIN and tire loading information are found on these tags. Record the information from these tags so it is available if the tags are lost or damaged. When ordering parts or requesting assistance, you may be asked to provide this information.



# UNIT DECALS - EXTERIOR



1	TOWING INSTRUCTIONS	ABSCHLEPPANWEISUNGEN	INSTRUCCIONES PARA REMOLQUE	INSTRUCCIONES DE REMORQUE
	<p>1. Read operator's manual.</p> <p>2. Use proper hitch for trailer. *Always vehicle weight limit.</p> <p>3. Braking: check trailer for low vehicle.</p> <p>4. Make sure brakes adjust to correct pressure.</p> <p>5. Check axle tight.</p>	<p>1. Bedienungsanleitung lesen.</p> <p>2. Verwenden Sie das richtige Schleppgerät für den Anhänger. *Immer die zulässige Gesamtmasse des Anhängers beachten.</p> <p>3. Bremsen: überprüfen Sie den Anhänger auf niedrigen Fahrzeugdruck.</p> <p>4. Stellen Sie sicher, dass die Bremsen richtig auf den richtigen Druck eingestellt sind.</p> <p>5. Prüfen Sie die Achsen auf Festigkeit.</p>	<p>1. Lea el manual del operador.</p> <p>2. Use un equipo de remolque para la "capacidad" adecuada de la unidad remolcada. *Siempre respetar la capacidad de remolque.</p> <p>3. Frenado: verificar el trailer por baja presión de los neumáticos.</p> <p>4. Asegúrese de que los frenos estén ajustados a la presión correcta.</p> <p>5. Verificar los ejes de la unidad por firmeza.</p>	<p>1. Lire le manuel de l'opérateur.</p> <p>2. Choisir un attelage approprié pour poids remorqué.</p> <p>3. Freinage: vérifier l'état des pneumatiques du véhicule remorqué.</p> <p>4. Vérifier la pression de gonflage des pneumatiques.</p> <p>5. Vérifier les axes de la remorque.</p>



Located behind door on manual holder

01795

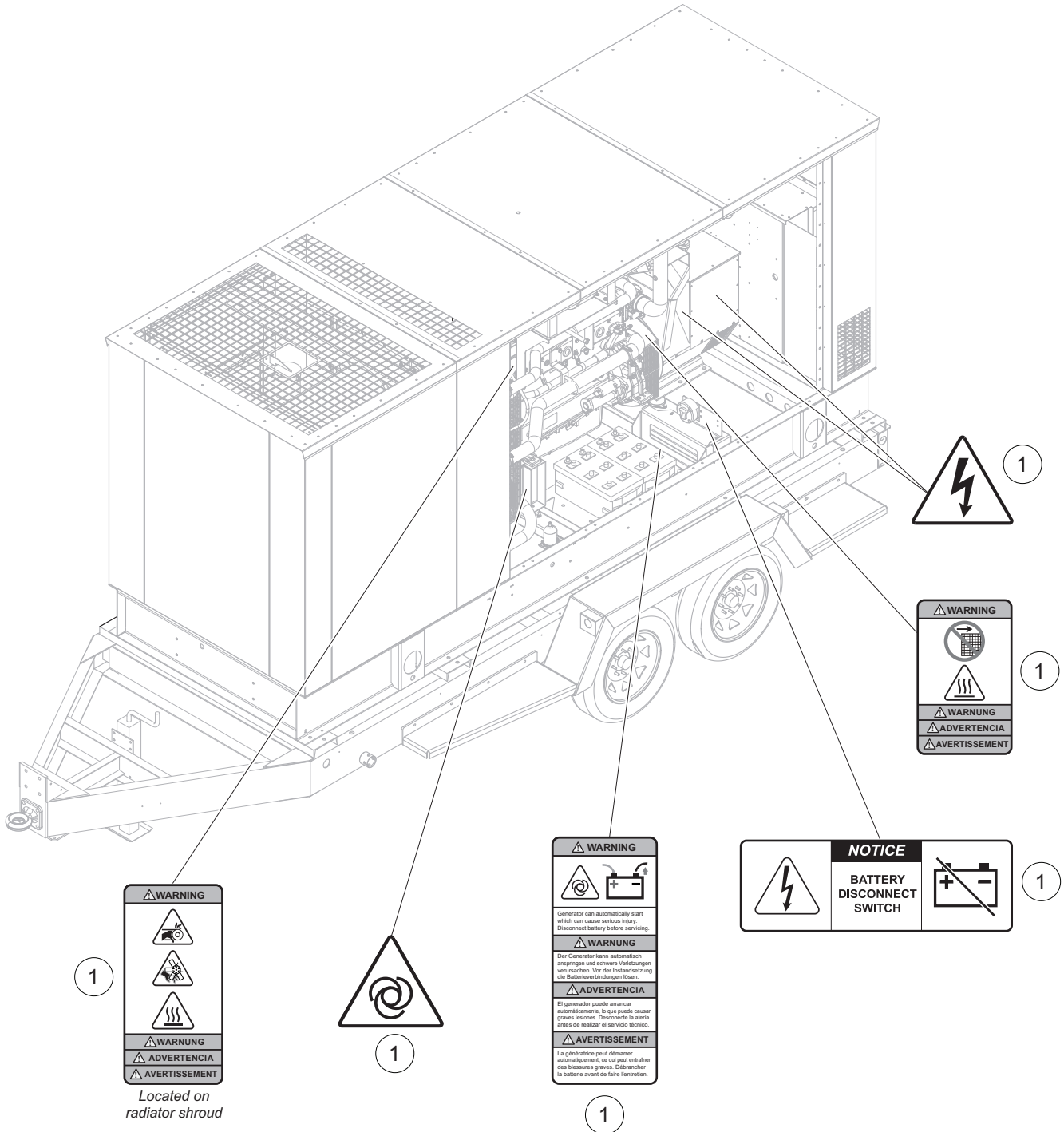


## UNIT DECALS - EXTERIOR

---

Item	Part No.	Qty	Description	Notes
1	34551	1	DECAL SET, SAFETY	
2	12142	1	DECAL, GROUND	
3	36140	1	DECAL, GASEOUS GENERATOR	

# UNIT DECALS - LEFT SIDE INTERIOR



Located on radiator shroud

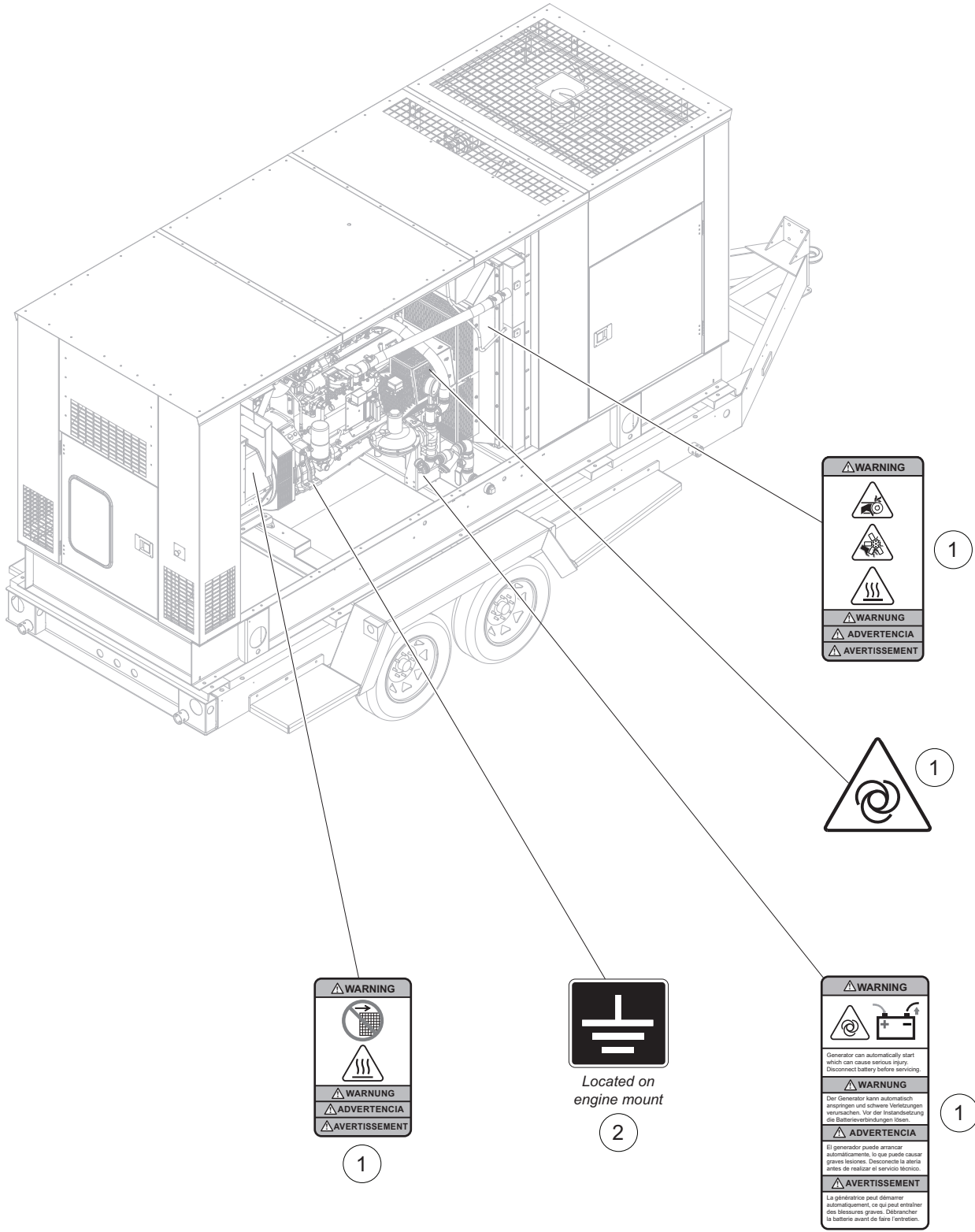
01796

## UNIT DECALS - LEFT SIDE INTERIOR

---

Item	Part No.	Qty	Description	Notes
1	34551	1	DECAL SET, SAFETY	

# UNIT DECALS - RIGHT SIDE INTERIOR



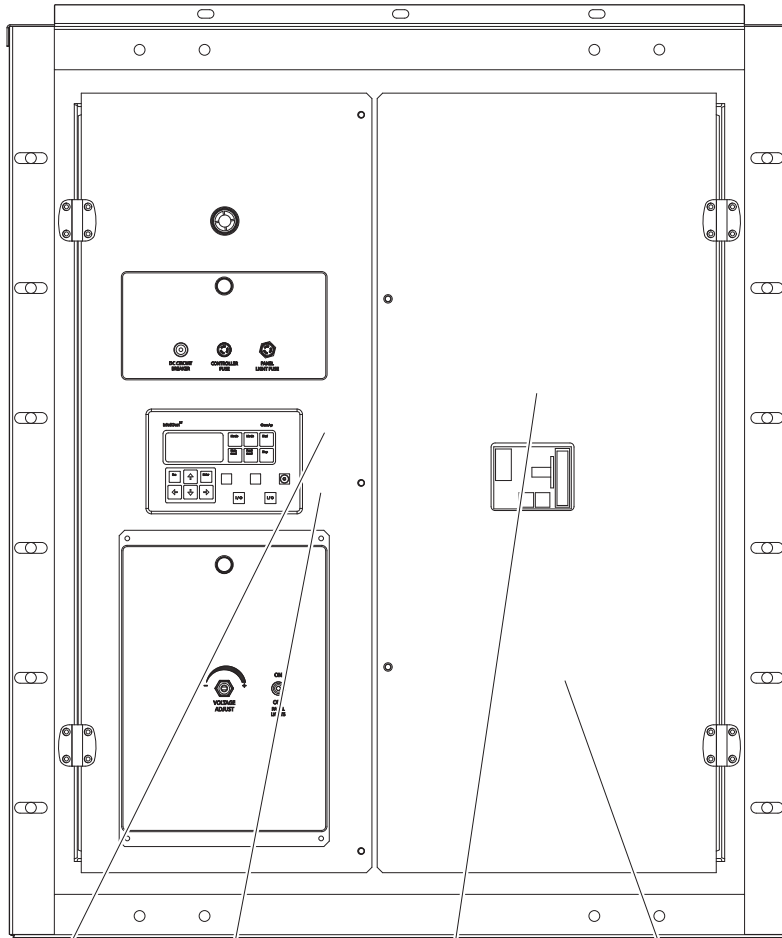
01797



## UNIT DECALS - RIGHT SIDE INTERIOR

---

Item	Part No.	Qty	Description	Notes
1	34551	1	DECAL SET, SAFETY	
2	12142	1	DECAL, GROUND	

# UNIT DECALS - CONTROL PANEL



Read and understand the supplied operator's manual before operating this machine. Failure to do so increases the risk of injury to yourself or others.

Vor dem Betrieb dieser Maschine muss das Bedienerhandbuch gelesen und verstanden worden sein. Ein Unterlassen erhöht das eigene Verletzungsrisiko und das anderer.

Lea y asegúrese de comprender el manual del operador proporcionado antes de operar esta máquina. De lo contrario, aumenta el riesgo de lesiones a usted y a otras personas.

Lire et comprenez le manuel de l'utilisateur fourni avec l'appareil avant de l'utiliser. L'omission de le faire augmente le risque de blessure pour vous et pour les autres.

1

NEUTRAL (L0) BONDED TO FRAME  
NEUTRO (L0) BONDADO AL MARCO  
POSITION NEUTRE (L0) LIÉE AU CHÂSSIS

1


⚠ DANGER  
⚠ GEFAHR  
⚠ PELIGRO  
⚠ DANGER


1

## MAINTENANCE CHECKS

### Critical Daily Checks

**General**  
Verify trailer is as level as possible with tires blocked and jacks extended.  
Check tire pressure.  
Verify radiator and exhaust areas are clear of debris.

**Engine Oil Level**  
Ensure the engine oil reservoir valve is open to allow oil to flow to the oil make-up controller. See manual for more information.  
After the engine has stopped for at least 10 minutes, the oil level should be at or near the top of the sight glass. 

While the unit is running, the level in the sight glass will fall just below half-way on the sight glass. 

### BASIC MAINTENANCE SCHEDULE

ITEM	SERVICE INTERVAL (HOURS)		
	First Daily	Every 250 Hours	Every 1000 Hours (Annually)
Walk Around Inspection	•		
Check Oil Level	•		
Check Control Lever	•		
Check Tire Pressure	•		
Check Battery	•		
Check Electrical Wiring	•		
Inspect Radiator for Signs of Obstruction or Damage	•		
Inspect Gas Piping and Hoses for Leaks and Damage	•		
Replace Control Oil		•	•
Change Oil, Replace Oil Filters		•	•
Inspect/Replace Air Intake Ventilation Filters		•	•
Check All Fluid Levels		•	•
Check and Adjust Valve and Exhaust Valve Clearance		•	•
Check Battery		•	•
Inspect Battery Connections and Disconnect Switch		•	•
Examine Tires and Axle Assemblies		•	•
Check Engine and Generator Mounts		•	•
Clean, Tune and Adjust Cooling System		•	•
Inspect Control Hoses		•	•
Examine Spring Pops		•	•
Replace Ignition Coils		•	•
Replace Ignition Air Filter (if necessary)		•	•
Inspect Shut-off Valve for Leaks and Choking		•	•
Check Original Air Intake for Leaks		•	•
Check Original Oil Build-Up		•	•
Check LFL Valve/Original Oil Build-Up		•	•
Inspect Exhaust Catalyst		•	•

• Break in period, one time.

2

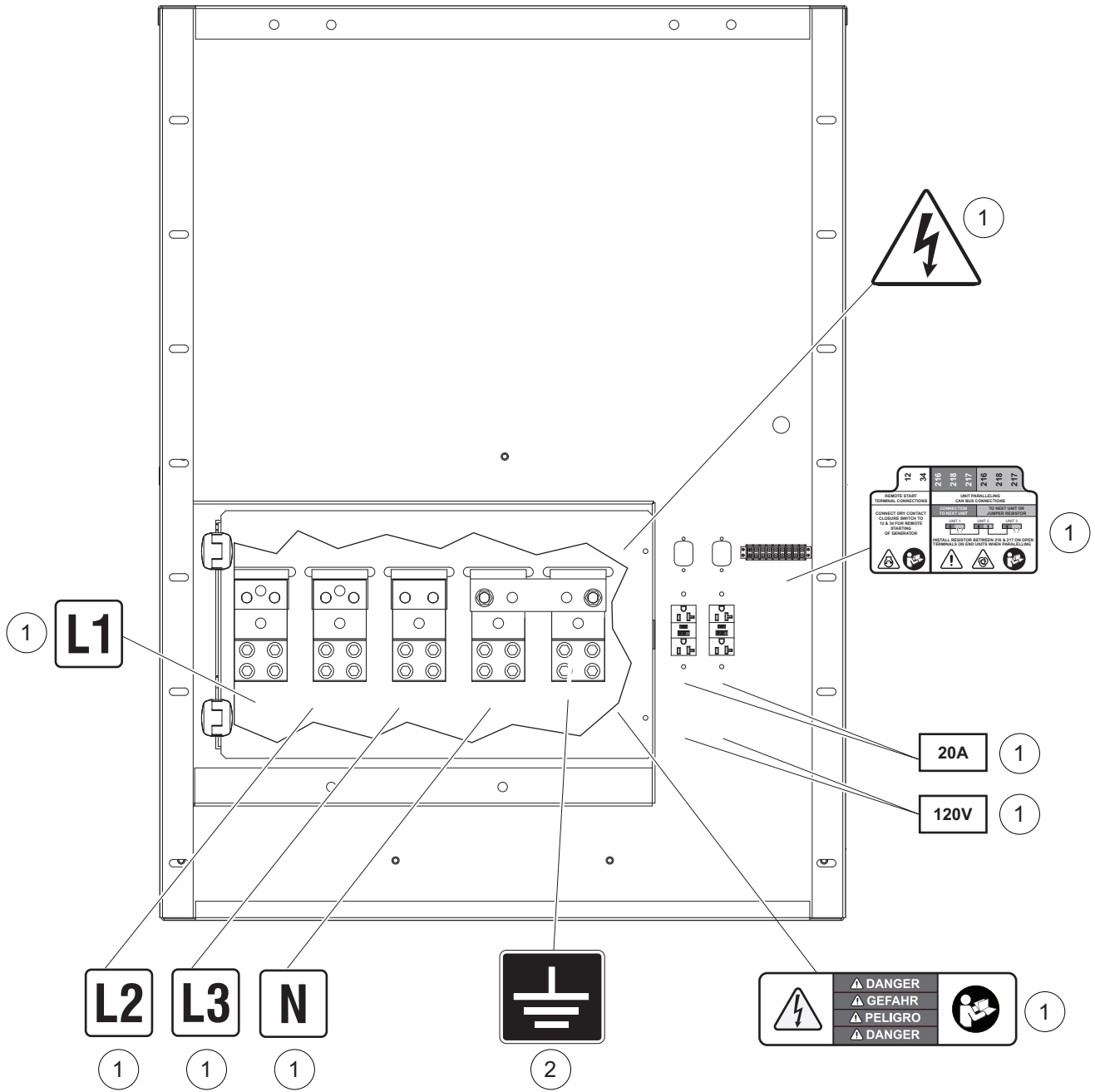
01798

## UNIT DECALS - CONTROL PANEL

---

<b>Item</b>	<b>Part No.</b>	<b>Qty</b>	<b>Description</b>	<b>Notes</b>
1	34551	1	DECAL SET, SAFETY	
2	37600	1	DECAL, MAINTENANCE	

# UNIT DECALS - POWER PANEL



01799

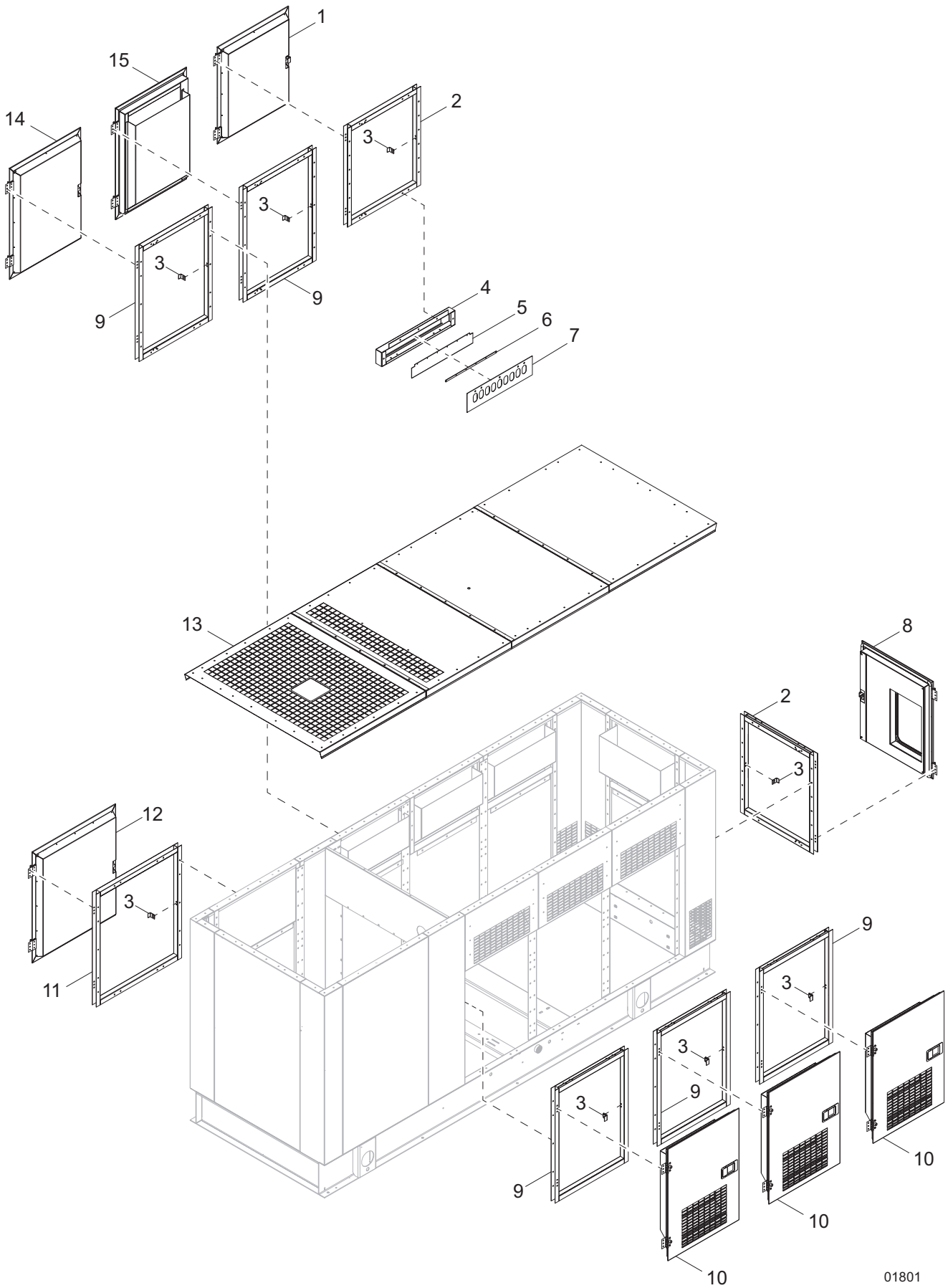


## UNIT DECALS - POWER PANEL

---

Item	Part No.	Qty	Description	Notes
1	34551	1	DECAL SET, SAFETY	
2	12142	1	DECAL, GROUND	

# DOORS AND ROOF TO UNIT

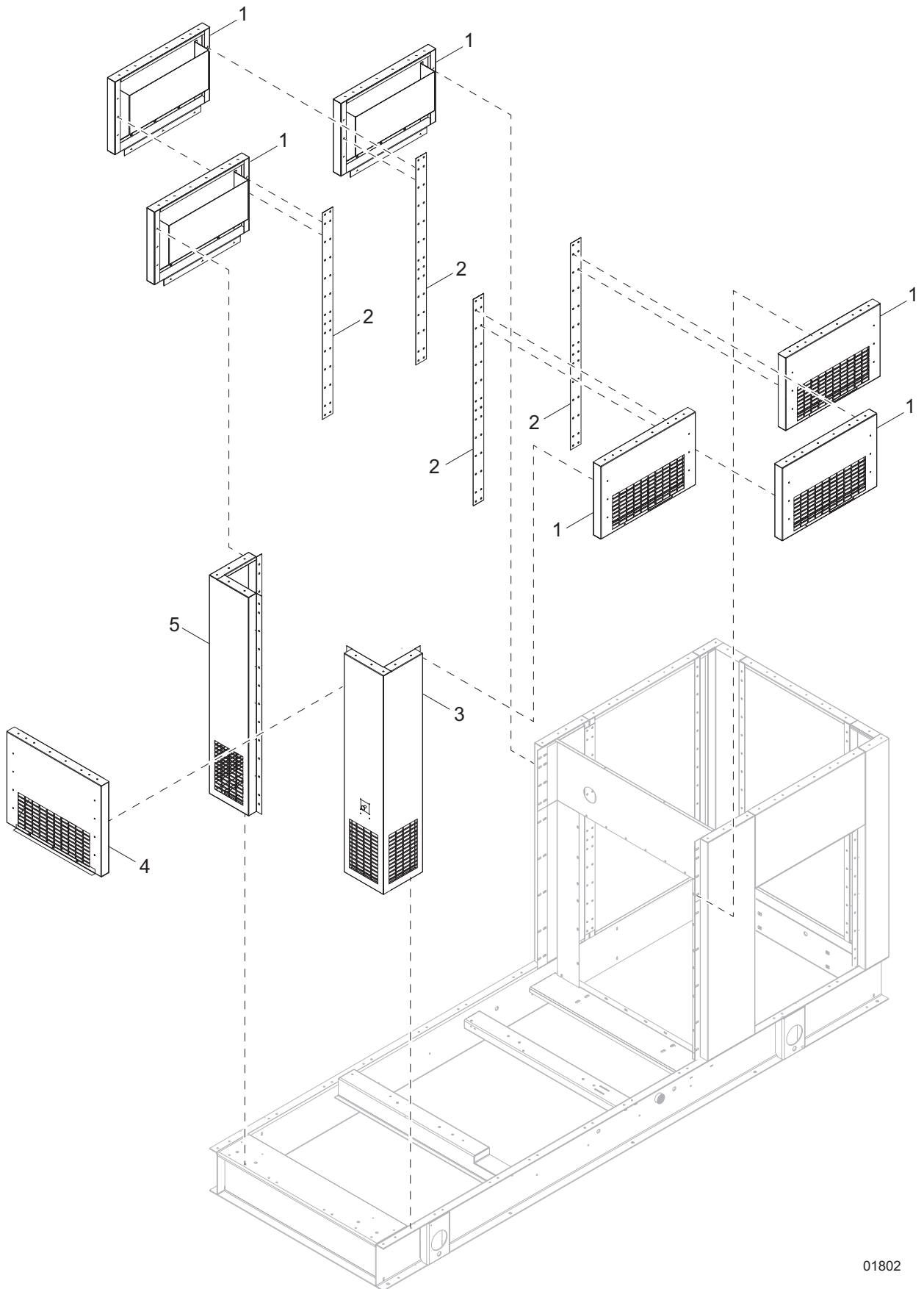


01801

## DOORS AND ROOF TO UNIT

Item	Part No.	Qty	Description	Notes
1	<a href="#">Page 26</a>	1	ASSEMBLY, POWER PANEL DOOR	
2	38827	2	FRAME, CONTROL/POWER PANEL DOOR	
3	38832	8	STRIKER, DOOR LATCH	
4	38843	1	PANEL, RISER, W/CABLE ACCESS	
5	38846	1	WEATHERSTRIP, CABLE ENTRY	
6	38845	1	WEATHERSTRIP, MTG	
7	38844	1	GUARD, FINGER, GLASTIC	
8	<a href="#">Page 28</a>	1	ASSEMBLY, CONTROL DOOR	
9	38849	5	FRAME, LEFT AND RIGHT DOOR	
10	<a href="#">Page 18</a>	3	ASSEMBLY, LEFT DOOR	
11	38817	1	FRAME, FRONT ENCLOSURE DOOR	
12	<a href="#">Page 20</a>	1	ASSEMBLY, FRONT ENCLOSURE DOOR	
13	<a href="#">Page 30</a>	1	ASSEMBLY, ROOF	
14	<a href="#">Page 22</a>	1	ASSEMBLY, RIGHT REAR DOOR	
15	<a href="#">Page 24</a>	1	ASSEMBLY, RIGHT MIDDLE DOOR	

# UPPER AND REAR PANELS TO UNIT



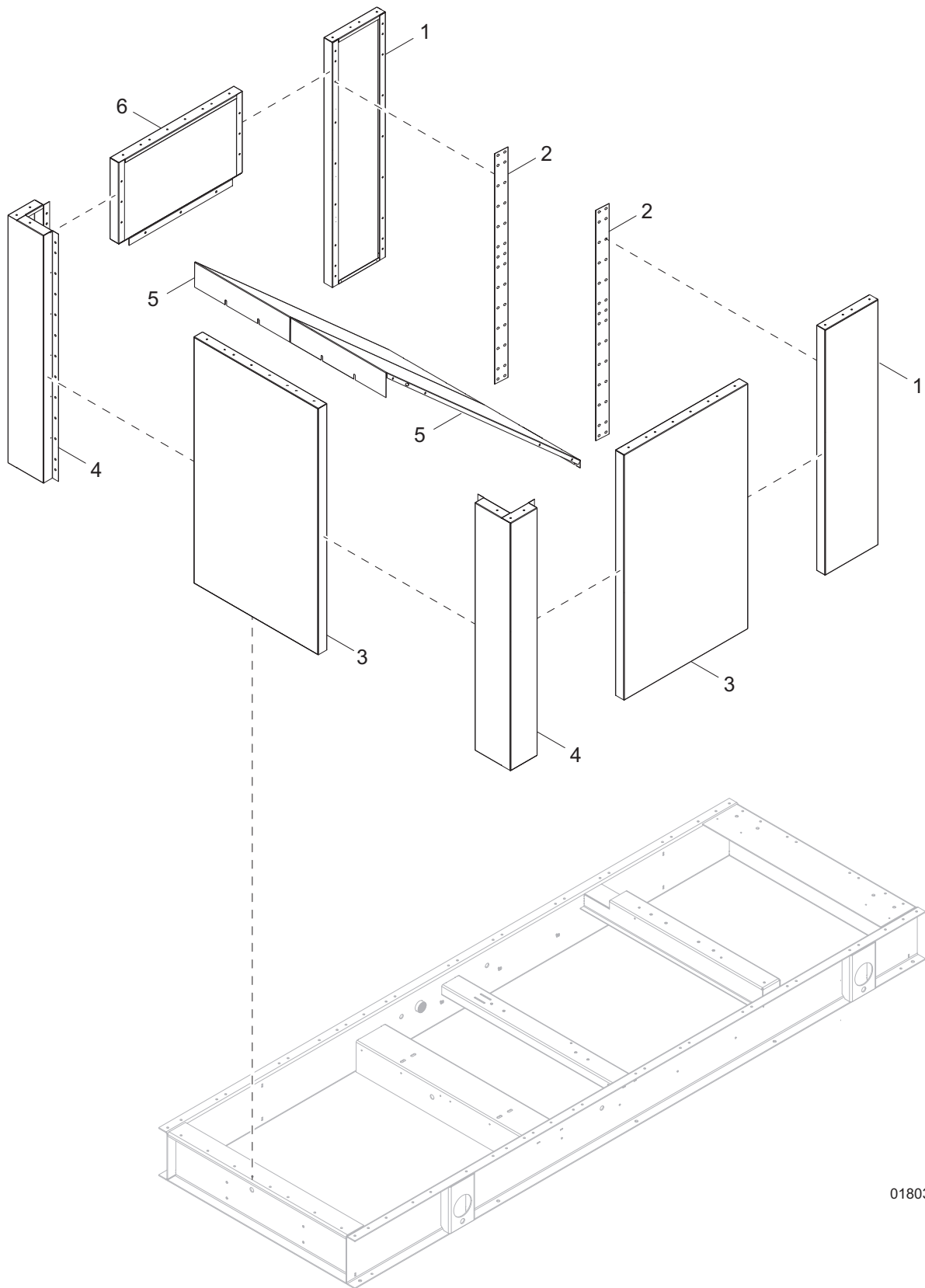
01802

## UPPER AND REAR PANELS TO UNIT

---

Item	Part No.	Qty	Description	Notes
1	<a href="#">Page 18</a>	6	PANEL, UPPER	
2	38813	4	FLAT, DOOR - 72 IN	
3	<a href="#">Page 40</a>	1	ASSEMBLY, RIGHT REAR CORNER PANEL	
4	<a href="#">Page 40</a>	1	ASSEMBLY, UPPER REAR PANEL	
5	38856	1	PANEL, REAR CORNER, VENTED - LH	

# FRONT ENCLOSURE TO UNIT



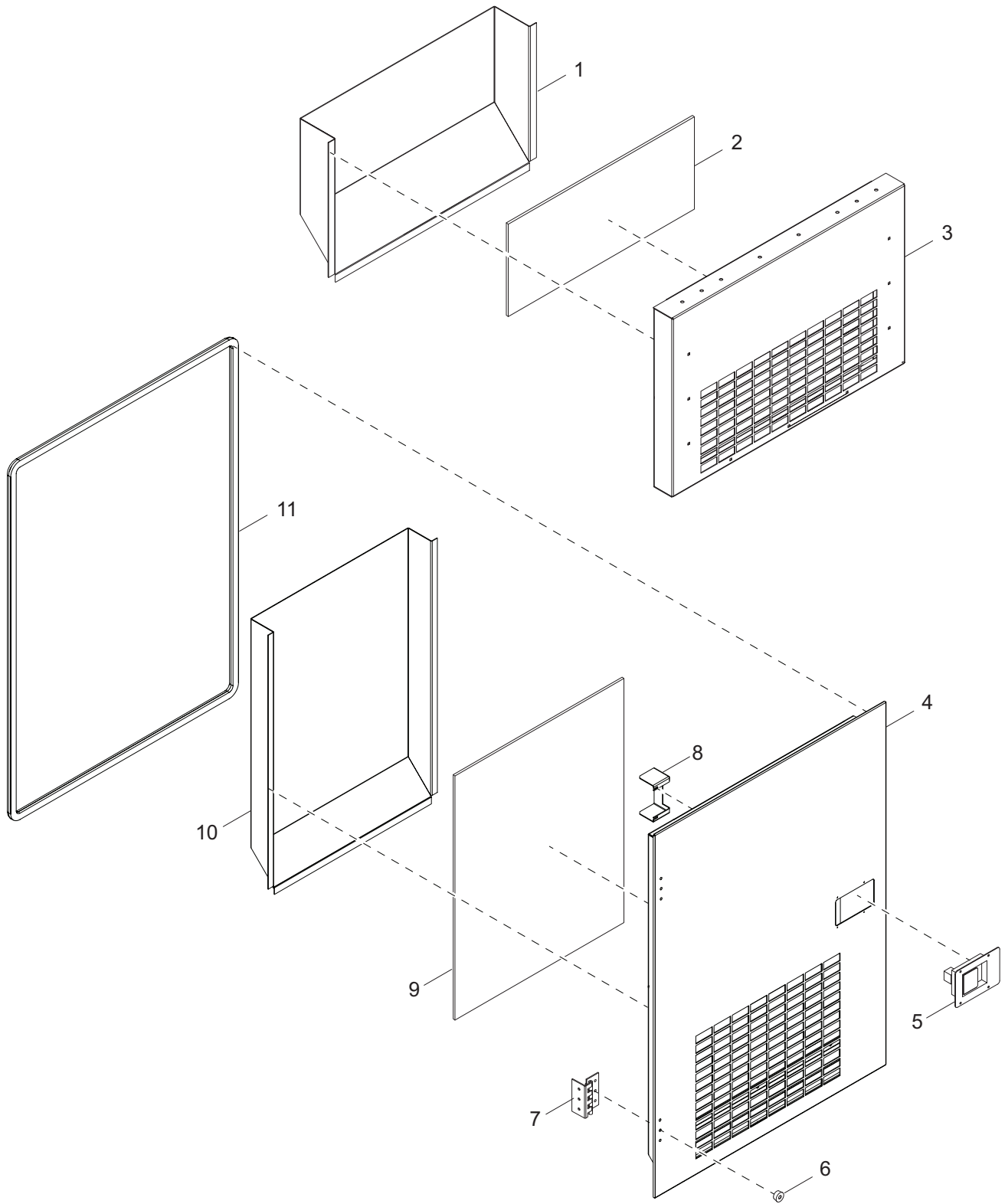
01803

## FRONT ENCLOSURE TO UNIT

---

Item	Part No.	Qty	Description	Notes
1	<a href="#">Page 34</a>	2	ASSEMBLY, LEFT AND RIGHT PANEL	
2	38813	2	FLAT, DOOR - 72 IN	
3	<a href="#">Page 32</a>	2	ASSEMBLY, FRONT PANEL	
4	<a href="#">Page 38</a>	2	ASSEMBLY, FRONT CORNER PANEL	
5	38826	2	PLENUM	
6	<a href="#">Page 36</a>	1	ASSEMBLY, FRONT UPPER PANEL	

# LEFT SIDE DOOR AND UPPER PANEL ASSEMBLY



01804



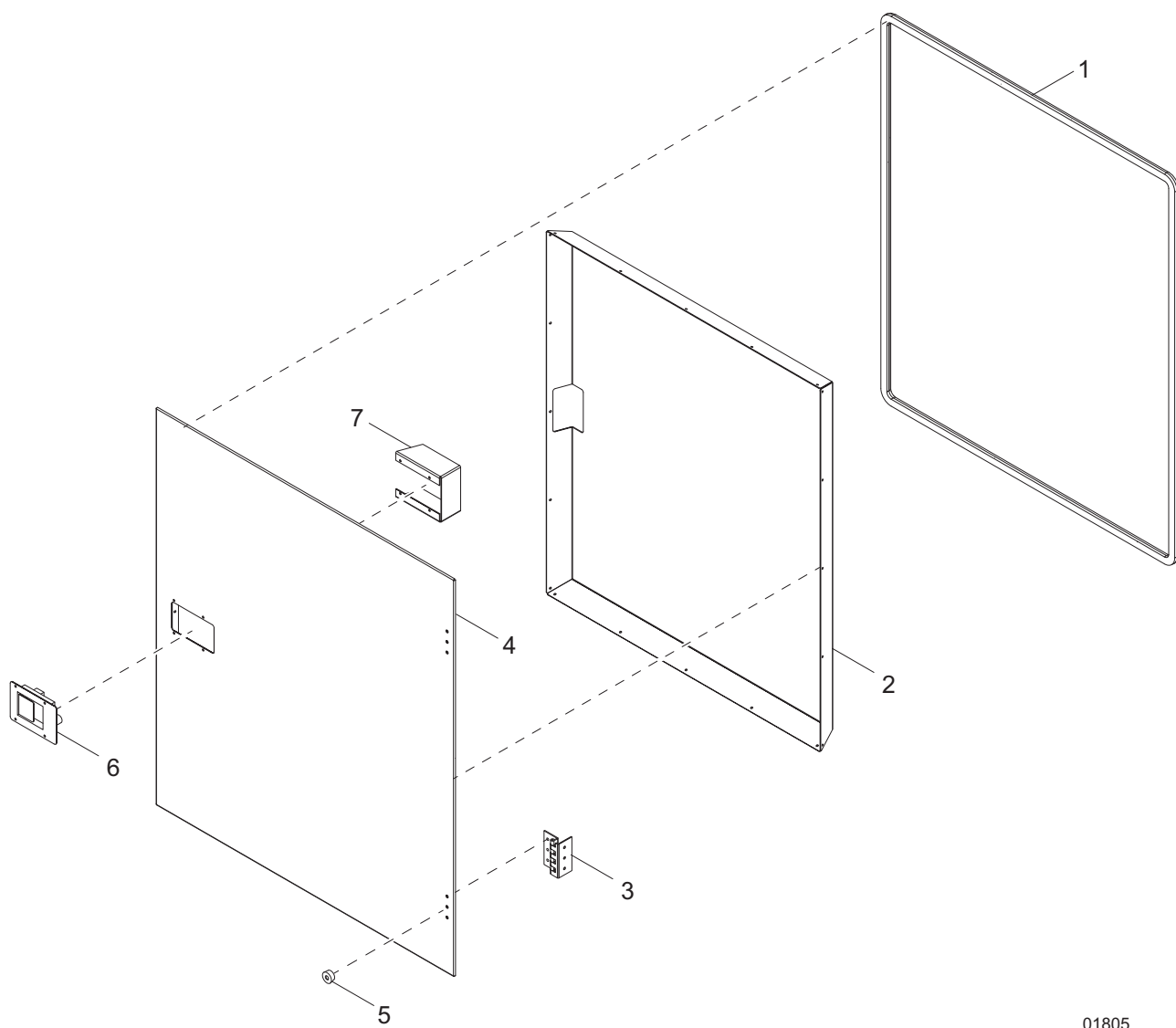
## LEFT SIDE DOOR AND UPPER PANEL ASSEMBLY

---

Item	Part No.	Qty	Description	Notes
1	38842	1	DUCT, UPPER PANEL INTAKE	
2	38812	1	FOAM, POLYDAMP - 11.0 X 30.0	
3	38841	1	PANEL, UPPER PANEL	
4	38850	1	DOOR, VENTED - INTERNAL DUCT, LEFT	
5	38866	1	HANDLE, RECESS - LOCK, KEYED	
6	38831	2	BUMPER, DOOR - RUBBER	
7	35440	2	HINGE, DOOR, SS	
8	38864	1	GUARD, PAD LATCH	
9	38812	1	FOAM, POLYDAMP - 19.0 X 30.0	
10	38854	1	DUCT, DOOR INTAKE	
11	36003	1	WEATHERSTRIP, .83 X .76	

# FRONT ENCLOSURE DOOR ASSEMBLY

---



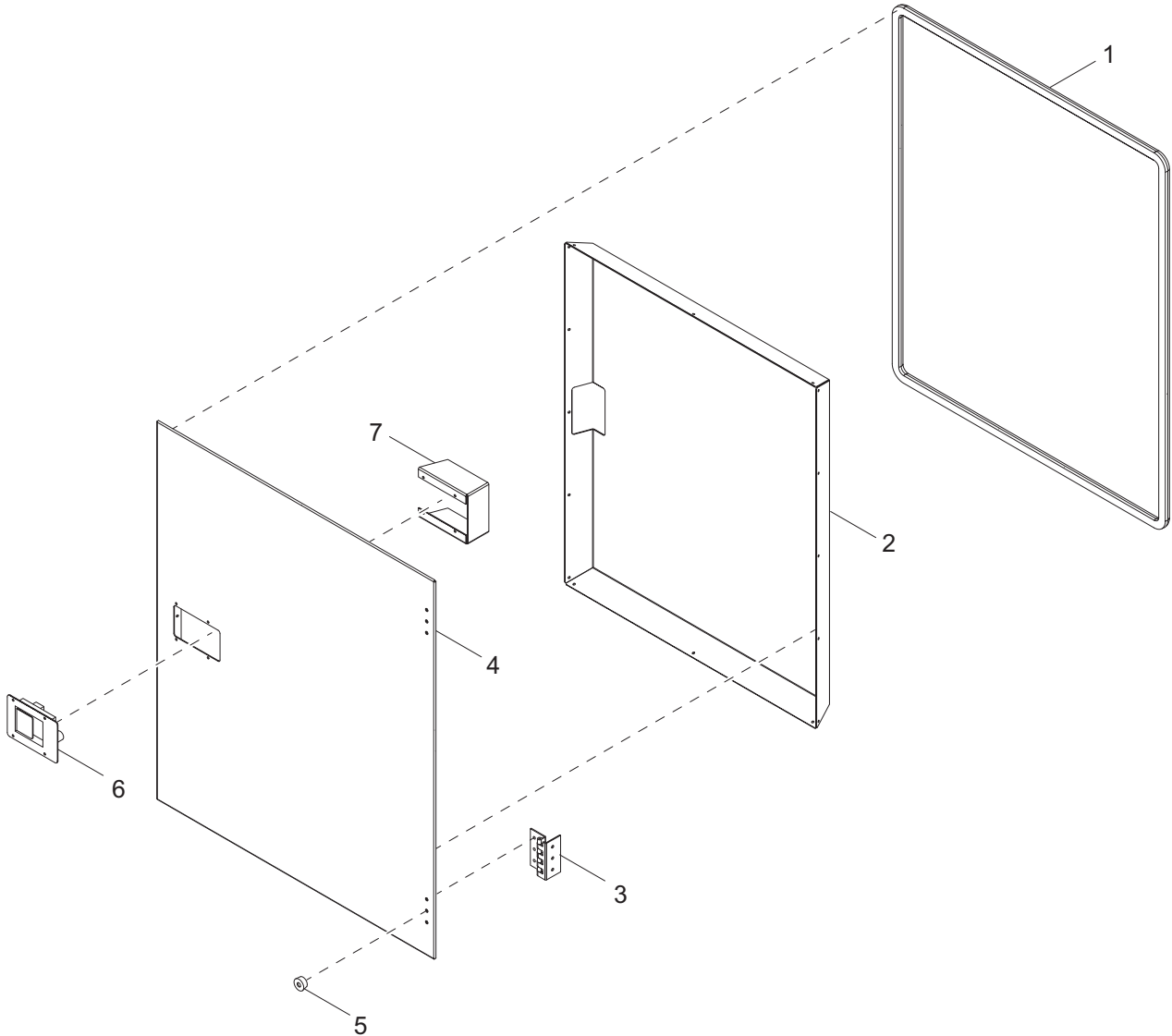
01805

## FRONT ENCLOSURE DOOR ASSEMBLY

---

Item	Part No.	Qty	Description	Notes
1	36004	1	WEATHERSTRIP, .25 X 2.0	
2	38816	1	DOOR, INNER	
3	35440	2	HINGE, DOOR, SS	
4	38815	1	DOOR, OUTER PAD	
5	38831	2	BUMPER, DOOR - RUBBER	
6	38866	1	HANDLE, RECESS - LOCK, KEYED	
7	38865	1	GUARD, PAD LATCH	

# RIGHT REAR DOOR ASSEMBLY



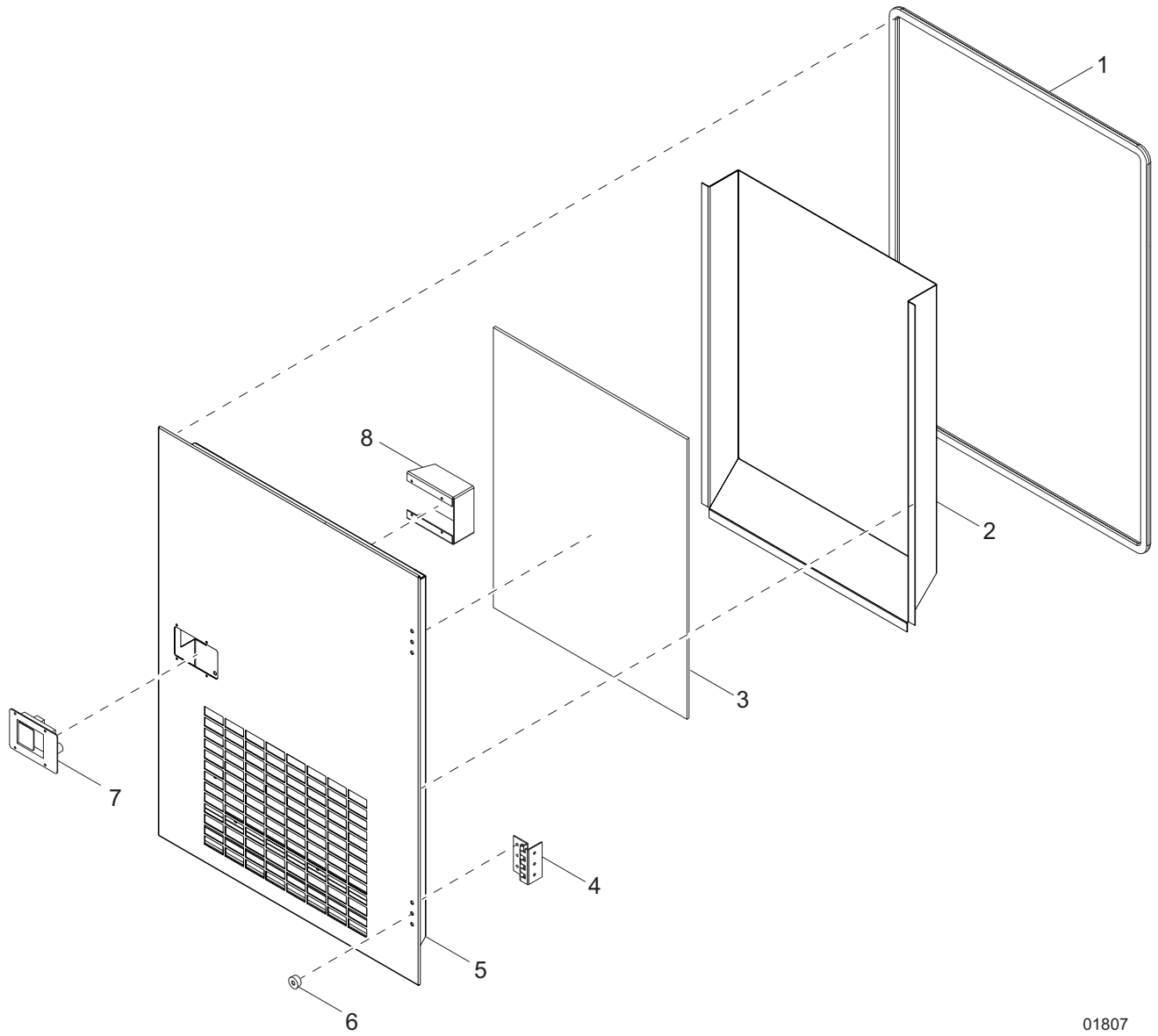
01808

## RIGHT REAR DOOR ASSEMBLY

---

Item	Part No.	Qty	Description	Notes
1	36003	1	WEATHERSTRIP, .83 X .76	
2	38853	1	DOOR, INNER	
3	35440	2	HINGE, DOOR, SS	
4	38852	1	DOOR, OUTER PAD	
5	38831	2	BUMPER, DOOR - RUBBER	
6	38866	1	HANDLE, RECESS - LOCK, KEYED	
7	38865	1	GUARD, PAD LATCH	

# RIGHT MIDDLE DOOR ASSEMBLY



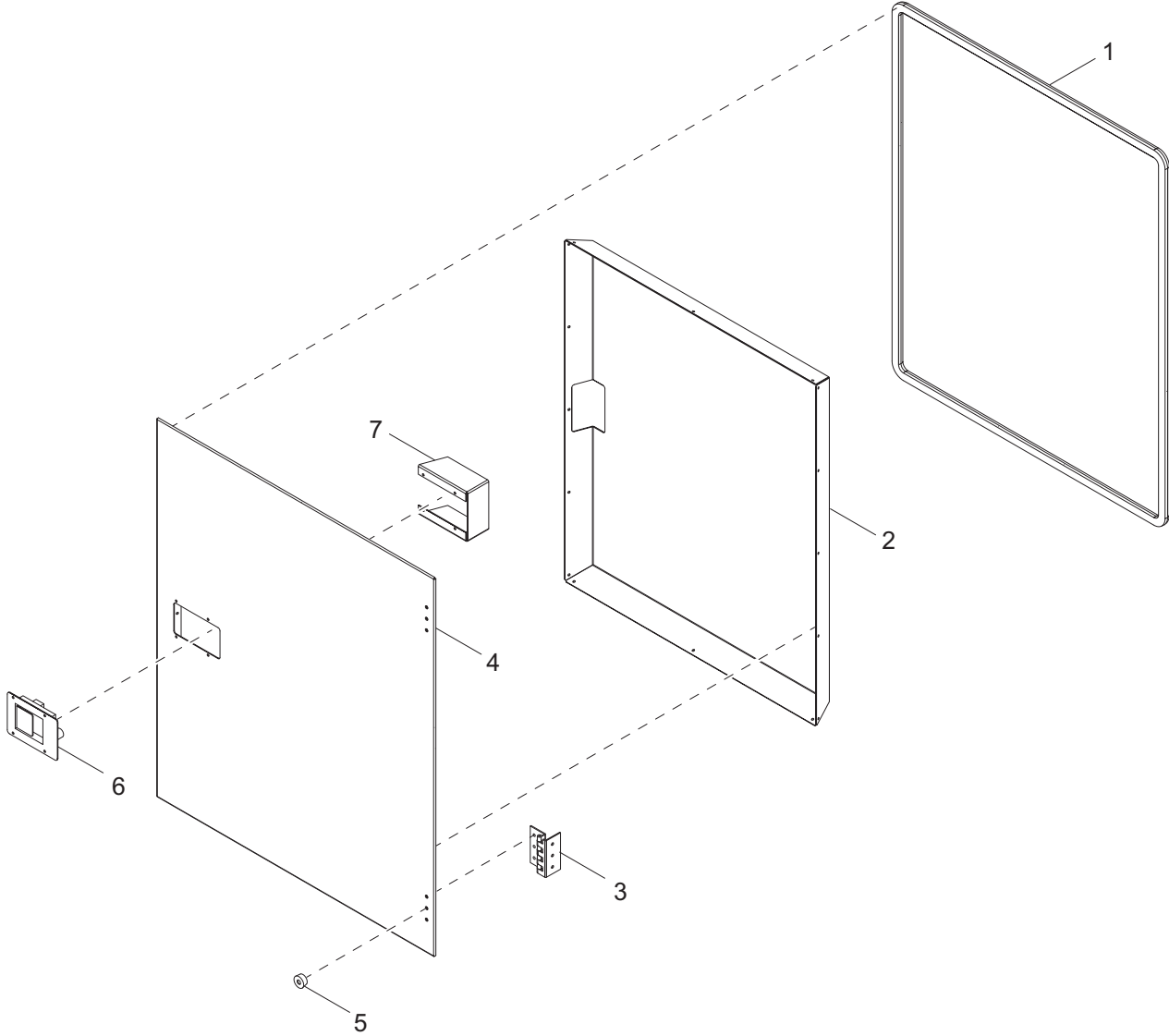
01807

## RIGHT MIDDLE DOOR ASSEMBLY

---

Item	Part No.	Qty	Description	Notes
1	36003	1	WEATHERSTRIP, .83 X .76	
2	38854	1	DUCT, DOOR INTAKE	
3	38812	1	FOAM, POLYDAMP - 19.0 X 30.0	
4	35440	2	HINGE, DOOR, SS	
5	38851	1	DOOR, VENTED - INTERNAL DUCT, RIGHT	
6	38831	2	BUMPER, DOOR - RUBBER	
7	38866	1	HANDLE, RECESS - LOCK, KEYED	
8	38865	1	GUARD, PAD LATCH	

# POWER PANEL DOOR ASSEMBLY



01808

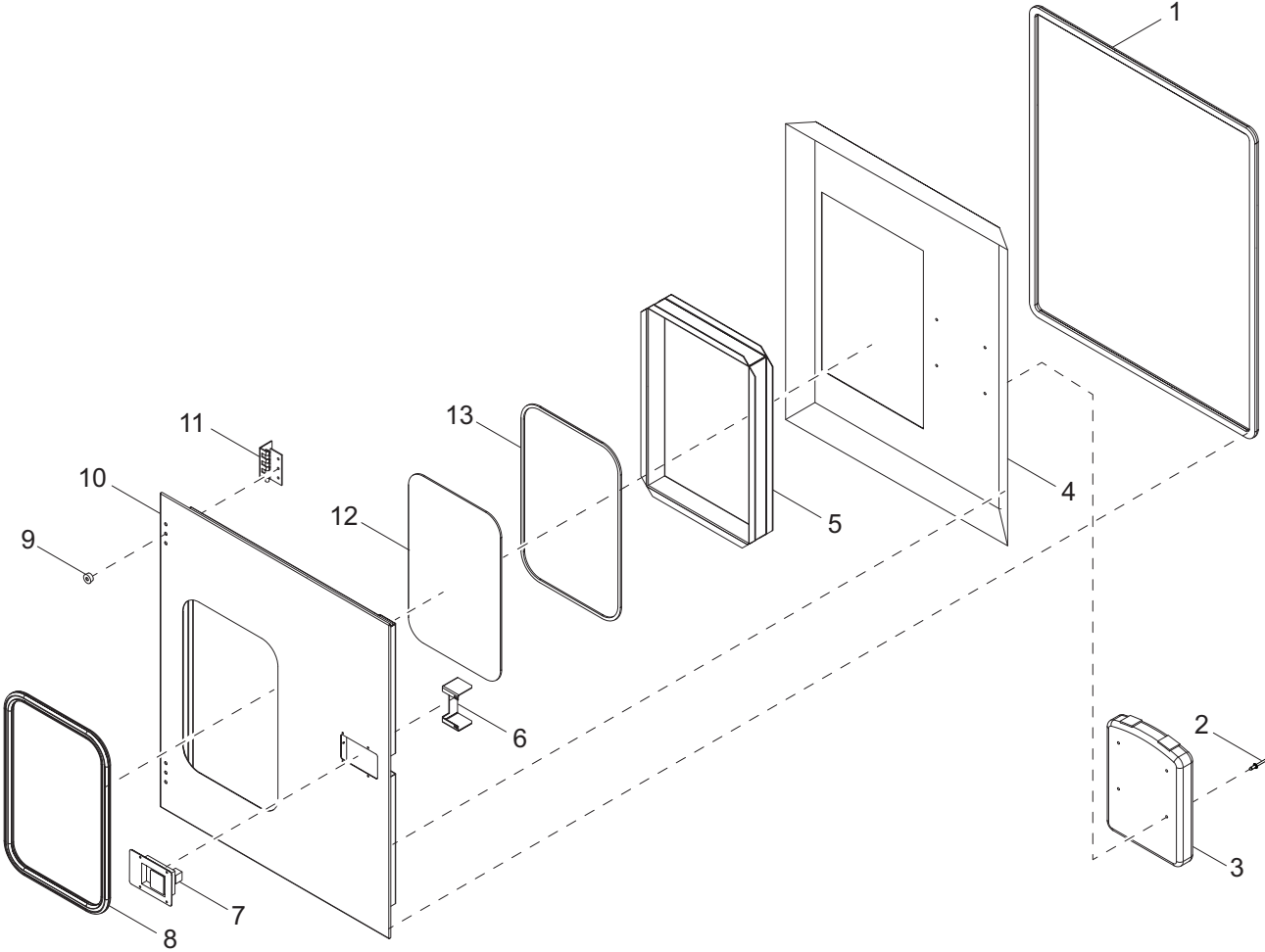


## POWER PANEL DOOR ASSEMBLY

---

Item	Part No.	Qty	Description	Notes
1	36003	1	WEATHERSTRIP, .83 X .76	
2	38829	1	DOOR, INNER	
3	35440	2	HINGE, DOOR, SS	
4	38828	1	DOOR, OUTER PAD	
5	38831	2	BUMPER, DOOR - RUBBER	
6	38866	1	HANDLE, RECESS - LOCK, KEYED	
7	38865	1	GUARD, PAD LATCH - WELDED DOOR	

# CONTROL DOOR ASSEMBLY



01809

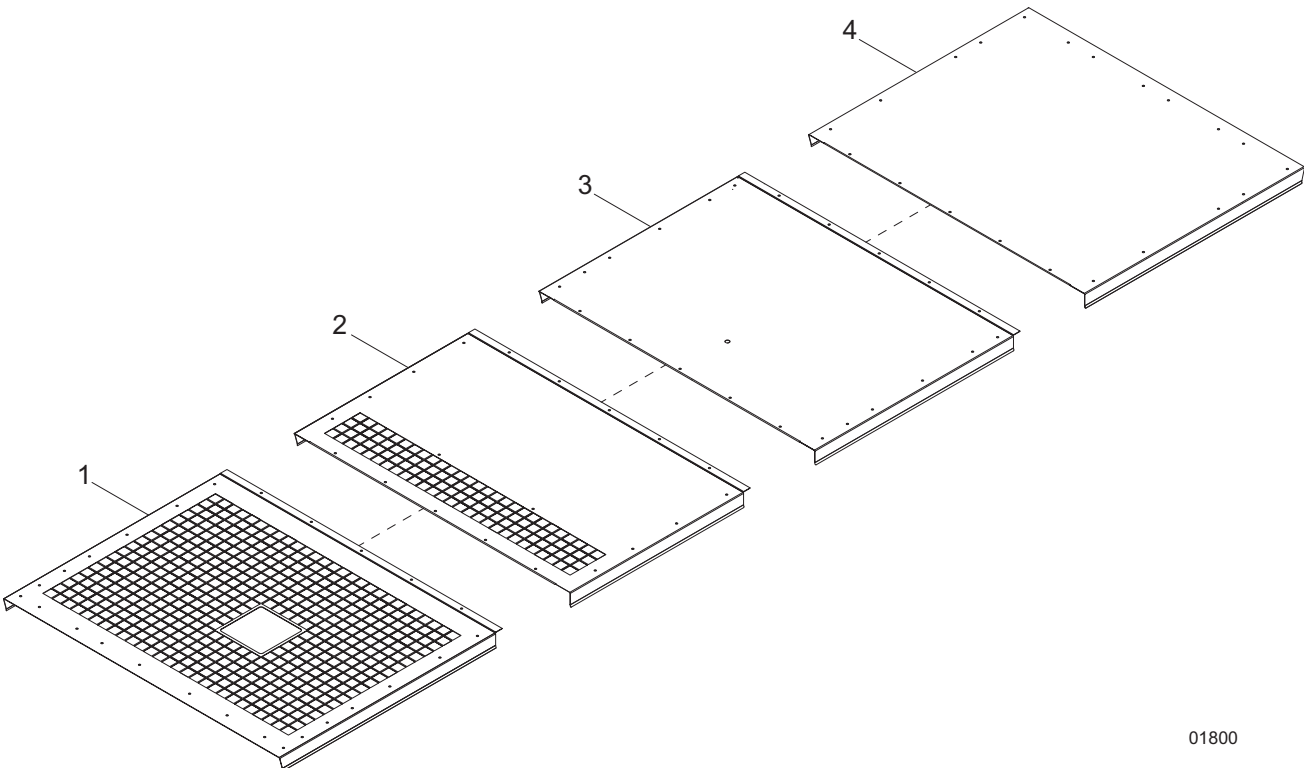
## CONTROL DOOR ASSEMBLY

---

Item	Part No.	Qty	Description	Notes
1	36003	1	WEATHERSTRIP, .83 X .76	
2	53372	4	RIVET, .188 X .250 TO .500 GRIP	
3	38837	1	HOLDER, MANUAL	
4	52699	1	DOOR, INNER	
5	38836	2	TRIM, WINDOW, L-SHAPED	
6	38864	1	GUARD, PAD LATCH	
7	38866	1	HANDLE, RECESS - LOCK, KEYED	
8	38835	1	STRIP, WINDOW - LOCK	
9	38831	2	BUMPER, DOOR - RUBBER	
10	52698	1	DOOR, OUTER	
11	35440	2	HINGE, DOOR, SS	
12	38833	1	WINDOW	
13	38834	1	GASKET, LOCKING	
--	38830	1	KIT, CONTROL DOOR	

# ROOF ASSEMBLY

---



01800

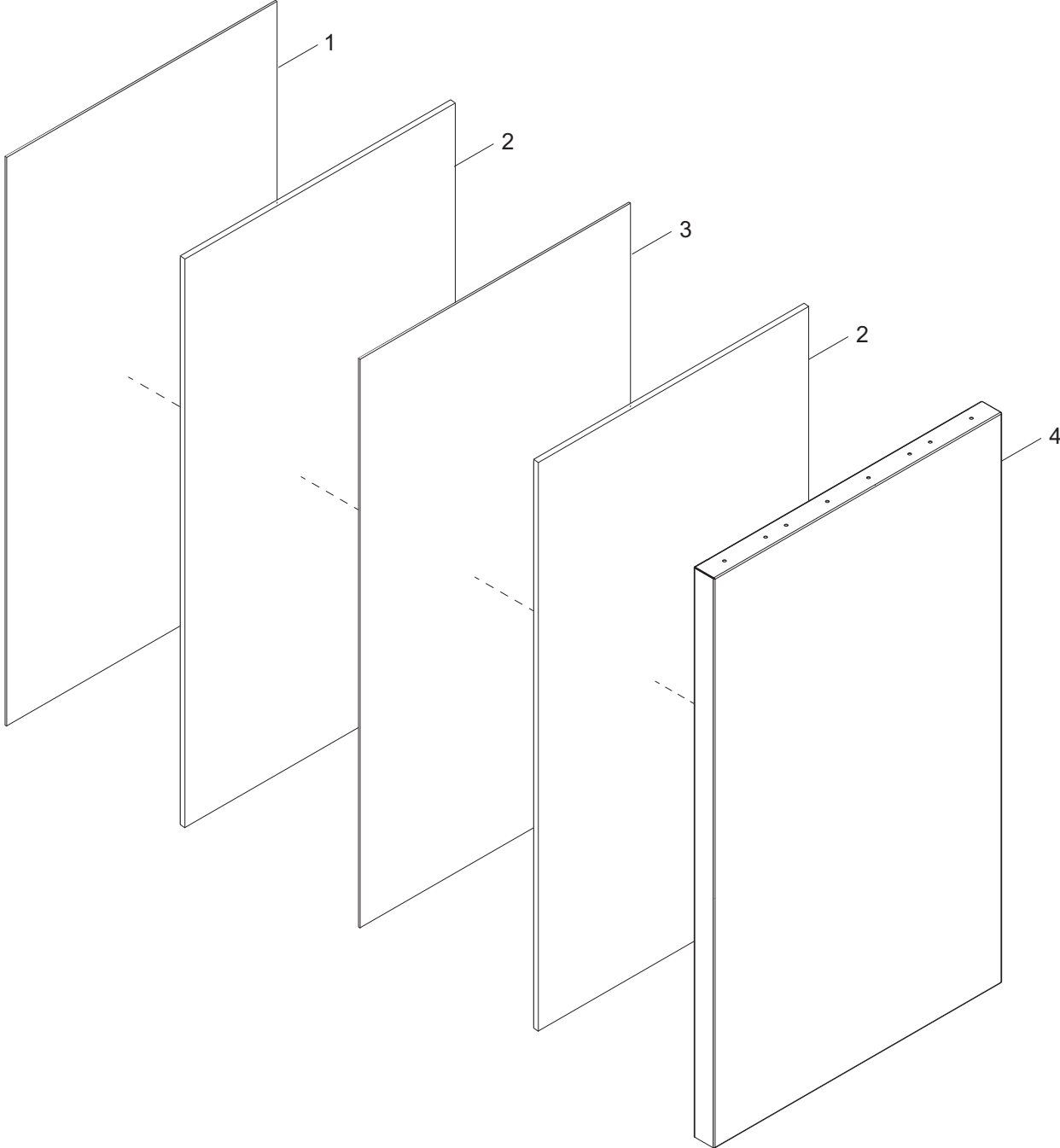
## ROOF ASSEMBLY

---

<b>Item</b>	<b>Part No.</b>	<b>Qty</b>	<b>Description</b>	<b>Notes</b>
1	38822	1	PANEL, ROOF - EXHAUST, VENTED FRONT	
2	38823	1	PANEL, ROOF - VENTED MIDDLE	
3	38824	1	PANEL, ROOF - MIDDLE	
4	38825	1	PANEL, ROOF - REAR	

**FRONT AND LEFT FRONT PANEL ASSEMBLY**

---



01811

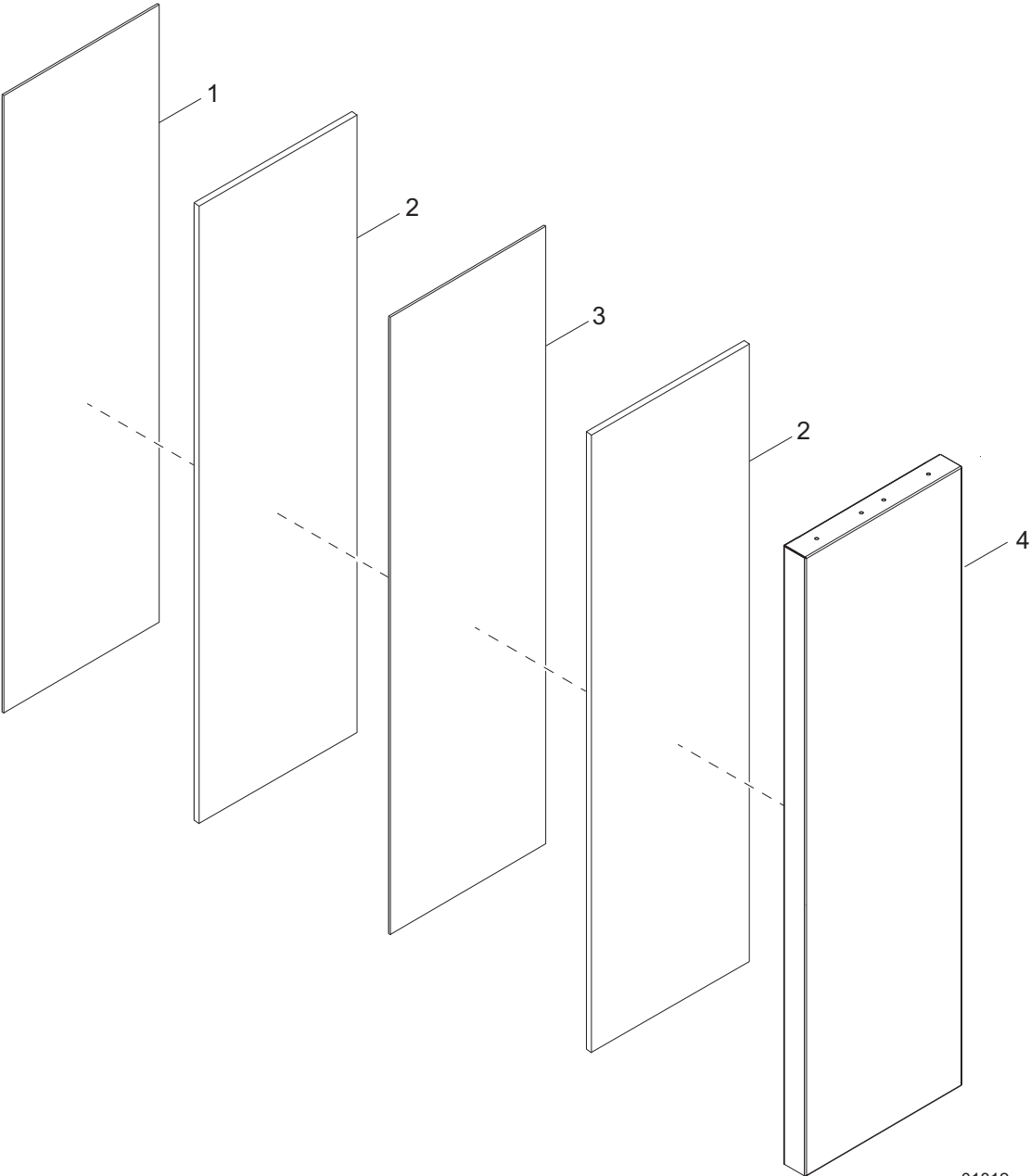
## FRONT AND LEFT FRONT PANEL ASSEMBLY

---

Item	Part No.	Qty	Description	Notes
1	38848	1	PANEL, INSIDE	
2	38810	2	INSULATION, ACOUSTIC - 3PCF1.5	
3	38811	1	BARRIER, BAR. - SULFATE, 1 LB	
4	38847	1	PANEL, OUTSIDE	

# LEFT AND RIGHT PANEL ASSEMBLY

---



01812



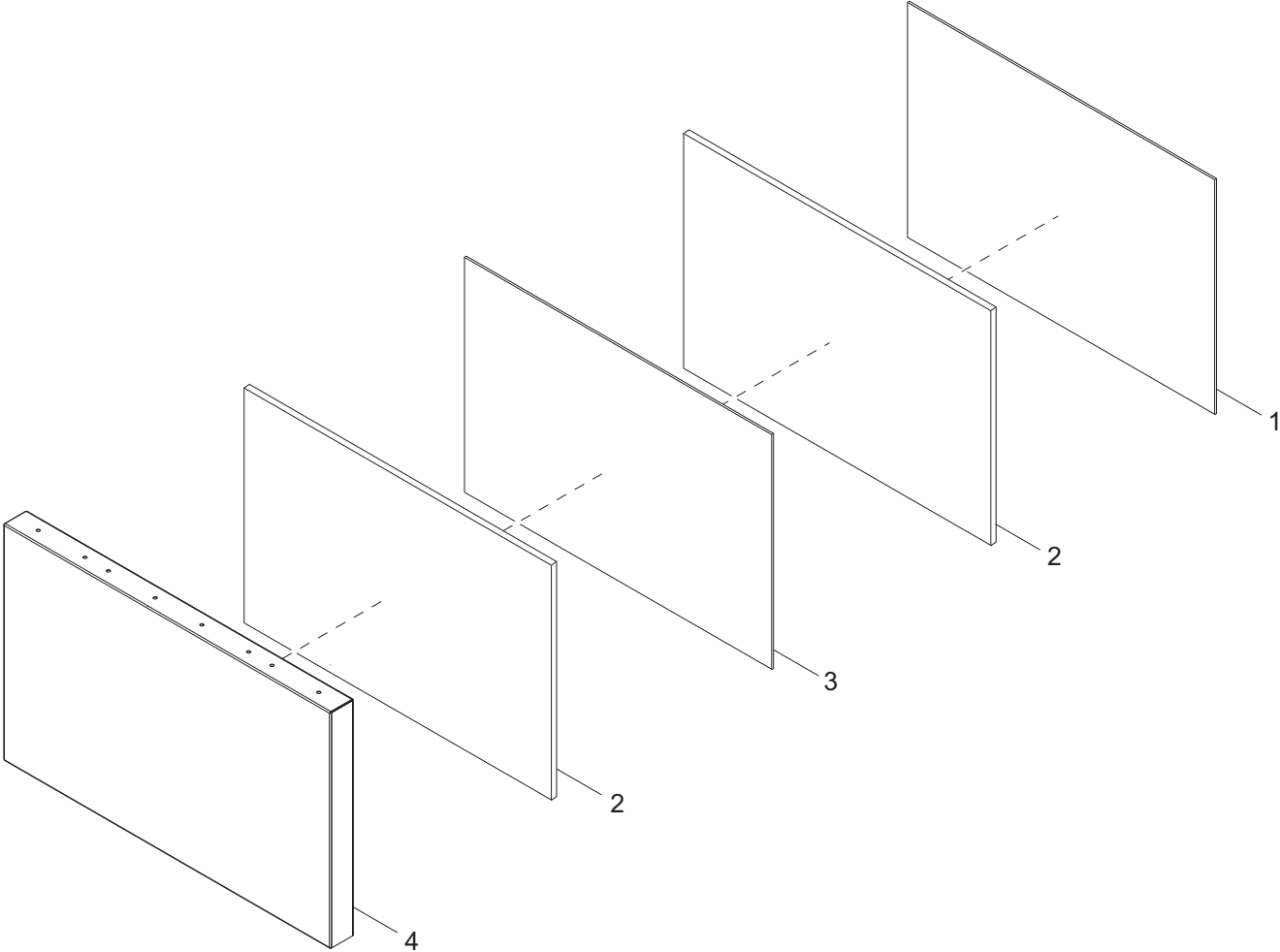
## LEFT AND RIGHT PANEL ASSEMBLY

---

Item	Part No.	Qty	Description	Notes
1	38858	1	PANEL, INSIDE	
2	38810	2	INSULATION, ACOUSTIC - 3PCF1.5	
3	38811	1	BARRIER, BAR.-SULFATE, 1 LB	
4	38857	1	PANEL - OUTSIDE	

# FRONT UPPER PANEL ASSEMBLY

---



01813

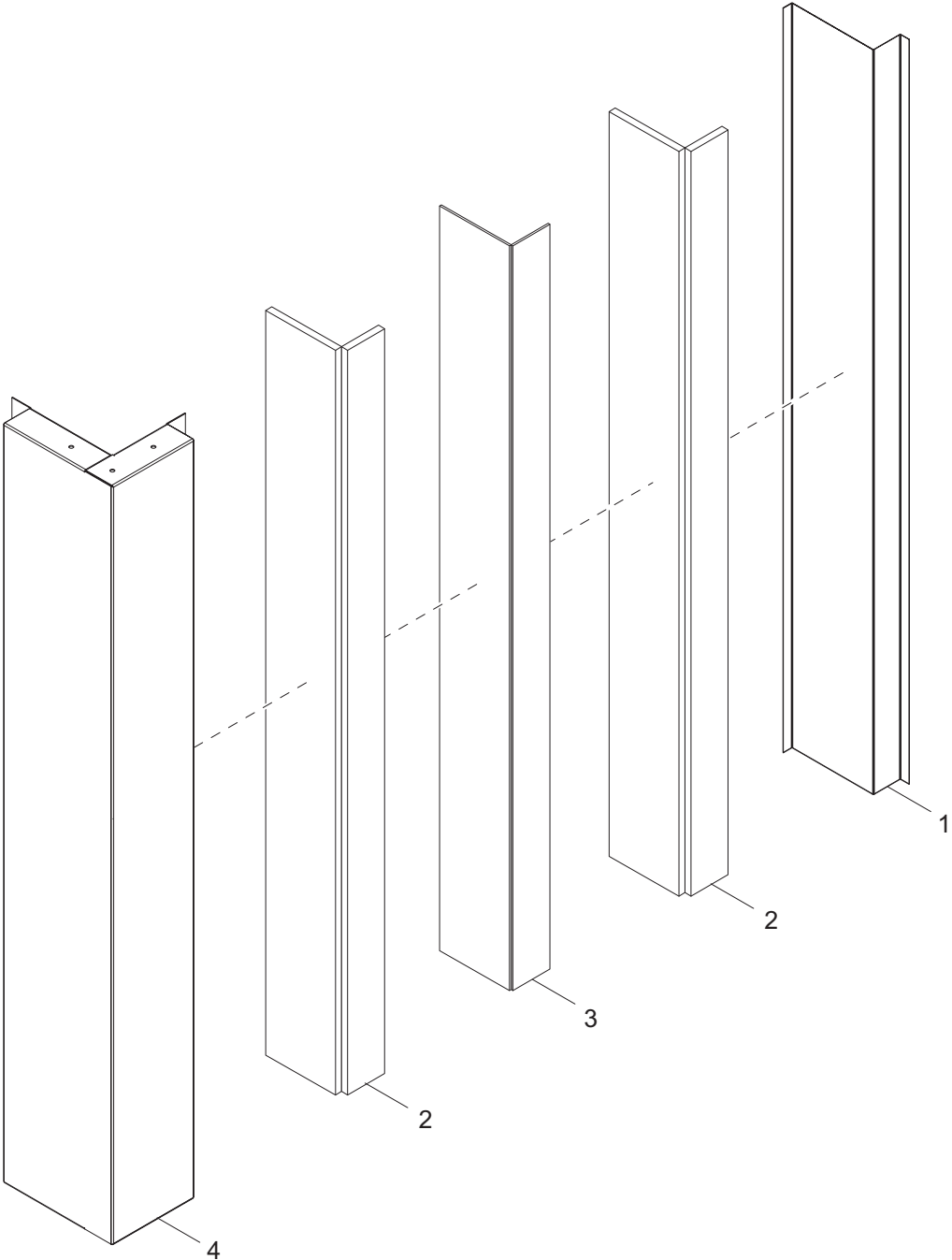
## FRONT UPPER PANEL ASSEMBLY

---

Item	Part No.	Qty	Description	Notes
1	38819	1	Panel, upper - inside	
2	38810	2	Insulation, acoustic - 3PCF1.5	
3	38811	1	Barrier, bar. - sulfate, 1 lb	
4	38818	1	Panel, upper - outside	

# FRONT CORNER PANEL ASSEMBLY

---



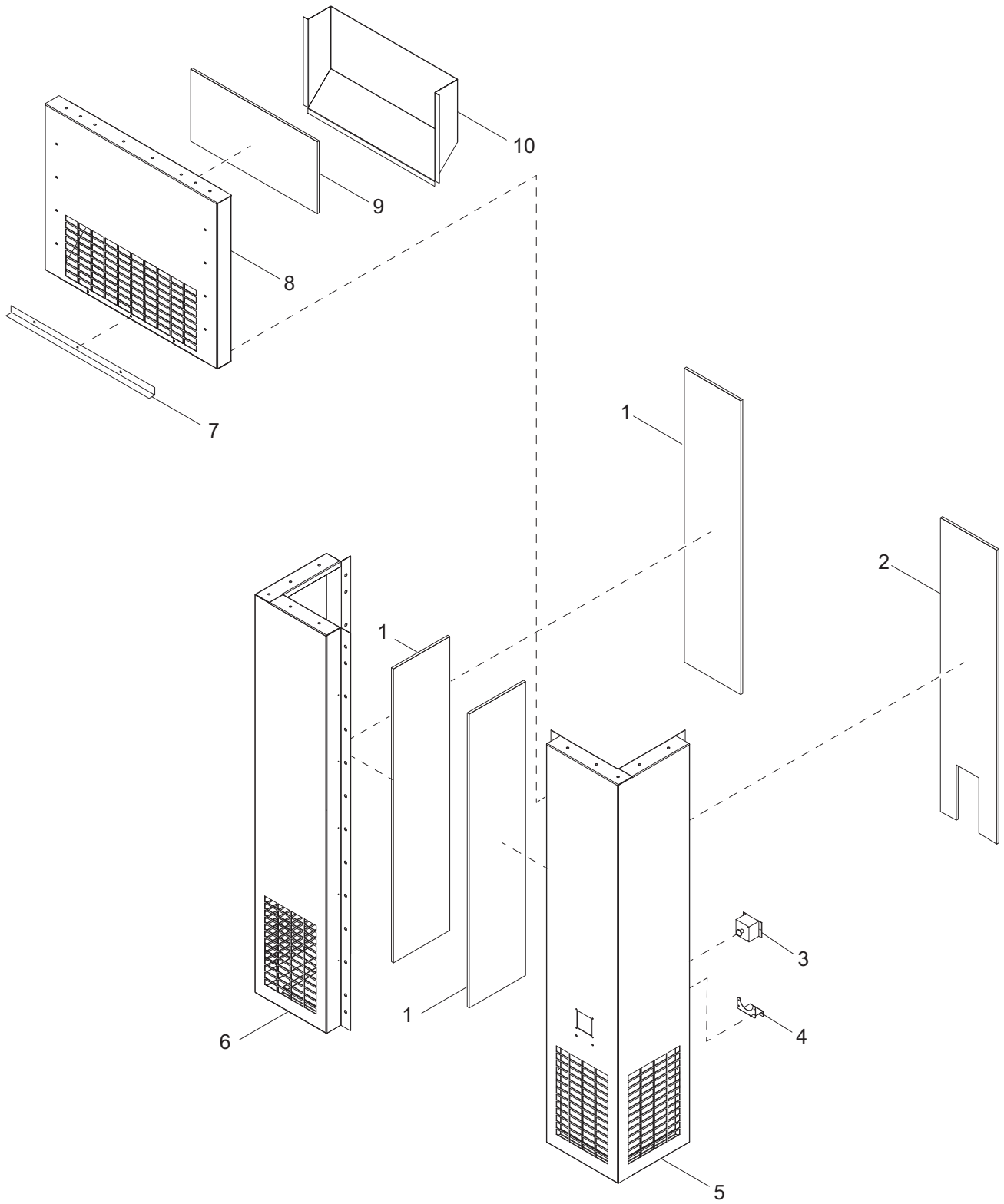
01814

## FRONT CORNER PANEL ASSEMBLY

---

<b>Item</b>	<b>Part No.</b>	<b>Qty</b>	<b>Description</b>	<b>Notes</b>
1	38821	1	PANEL, FRONT CORNER - INSIDE	
2	38810	2	INSULATION, ACOUSTIC - 3PCF1.5	
3	38811	1	BARRIER, BAR. - SULFATE, 1 LB	
4	38820	1	PANEL, FRONT CORNER	

# REAR CORNER AND UPPER PANEL ASSEMBLY



01838

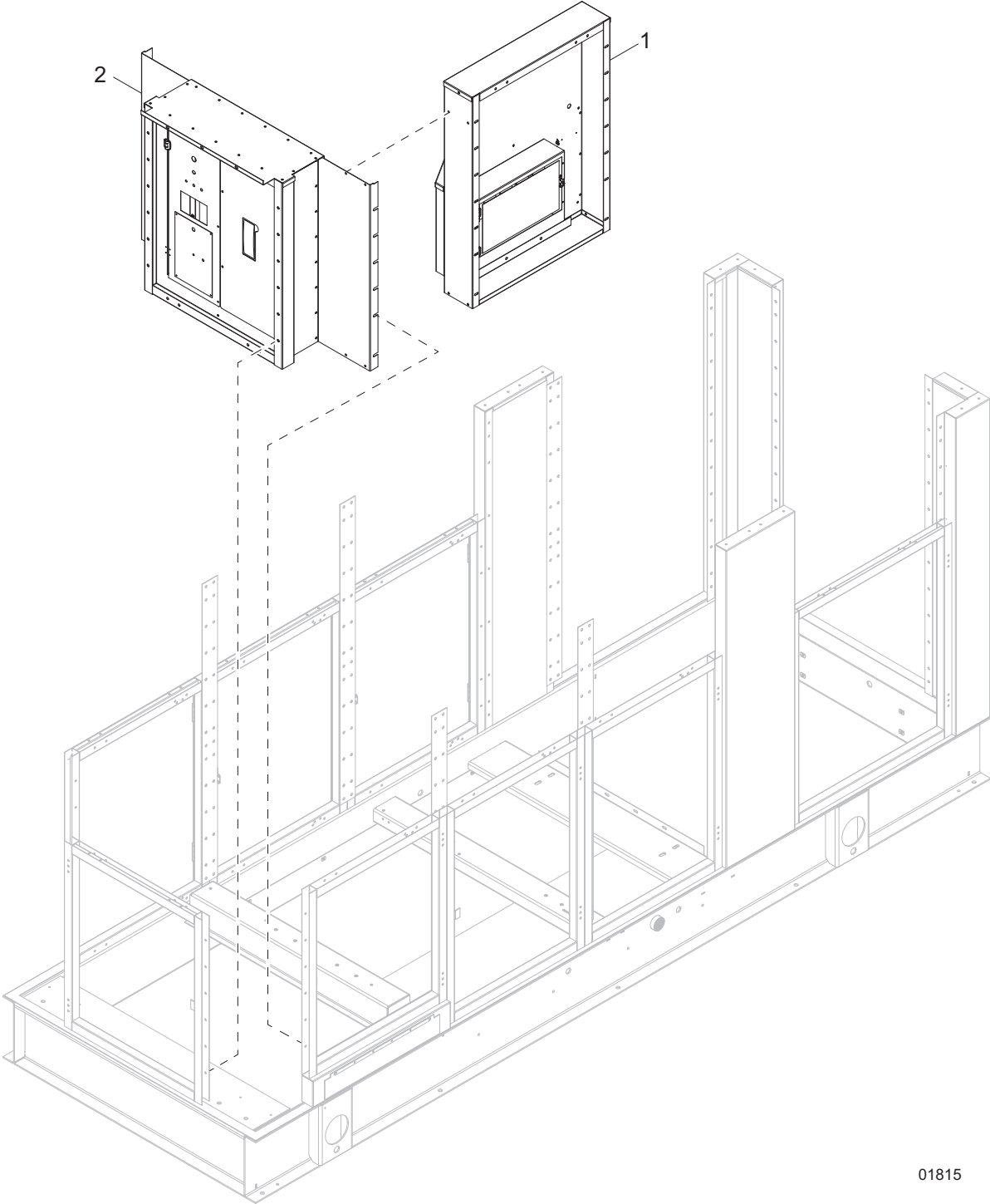
## REAR CORNER AND UPPER PANEL ASSEMBLY

---

Item	Part No.	Qty	Description	Notes
1	38812	3	FOAM, POLYDAMP 14.375 X 53.0	
2	38812	1	FOAM, POLYDAMP 14.750 X 53.0	
3	38977	1	SWITCH, E-STOP - FLUSH MOUNT	
--	38978	1	CONTACTOR, E-STOP	
4	38979	1	BRACKET, E-STOP	
5	38856	1	PANEL, REAR CORNER, VENTED W/E-STOP	
6	38855	1	PANEL, REAR CORNER, VENTED	
7	38840	1	LEDGE, DRIP	
8	38838	1	PANEL, UPPER, W/DRIP LEDGE	
9	38812	1	FOAM, POLYDAMP - 14.50 X 30.0	
10	38839	1	DUCT, INTAKE	

**CONTROL BOX AND POWER PANEL TO UNIT**

---



01815

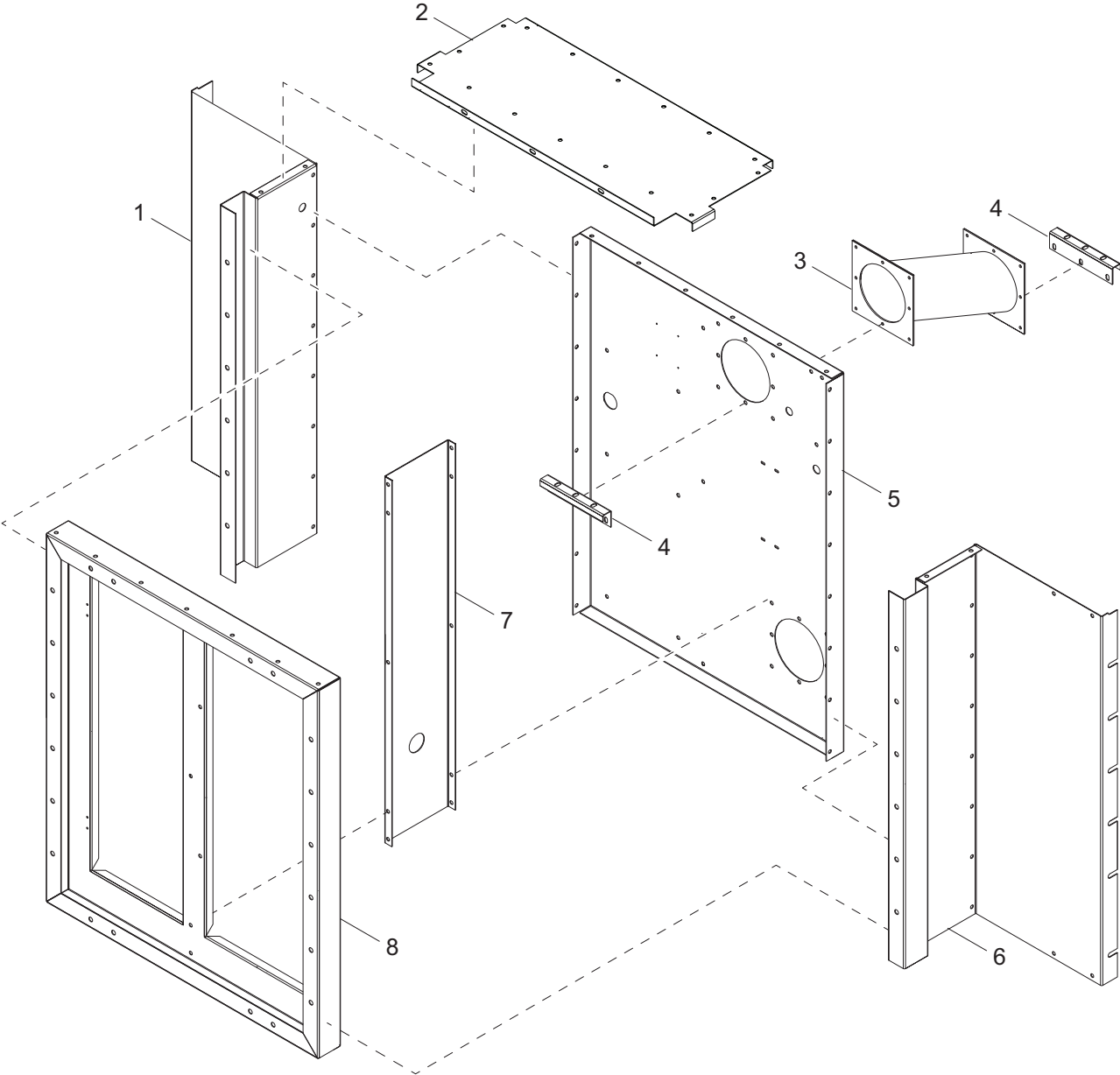


## CONTROL BOX AND POWER PANEL TO UNIT

---

Item	Part No.	Qty	Description	Notes
1	<a href="#">Page 50</a>	1	ASSEMBLY, POWER PANEL BOX	
2	<a href="#">Page 44</a>	1	ASSEMBLY, CONTROL BOX	

# CONTROL BOX ASSEMBLY



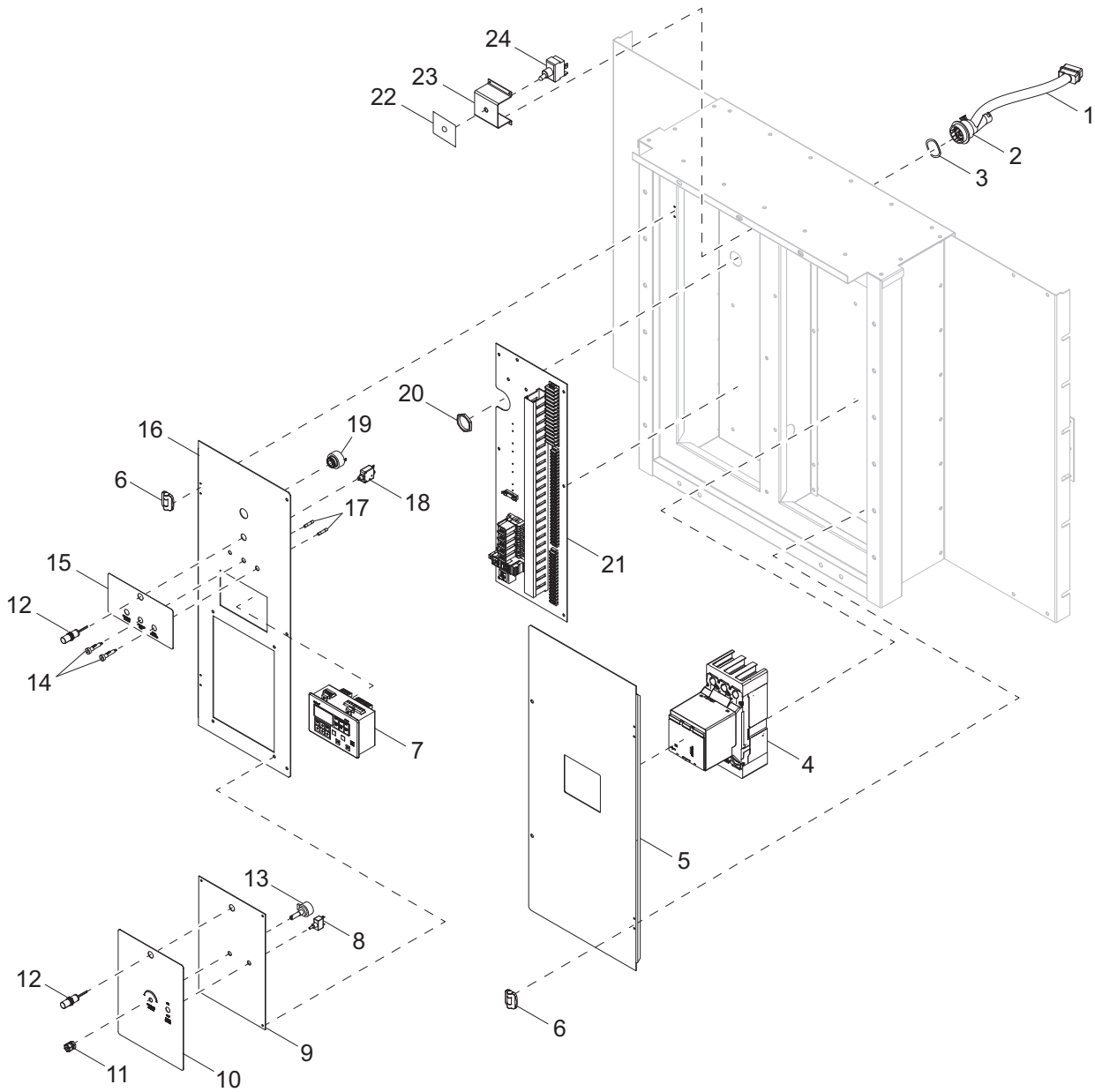
03775

## CONTROL BOX ASSEMBLY

---

Item	Part No.	Qty	Description	Notes
1	EN8036S187L2B	1	DUCT, INTAKE - LH	
2	A0002459970	1	ST03 COVER,MLCBBOX,TS,36.3WX15.4D	
3	WD4556A22	1	WIRE WAY, 6.00 FLEX	
4	EH0575J86L2B	2	BRACKET, MOUNTING WIRE WAY,	
5	A0002459966	1	ST03 PNL,REAR,MLCBBOX,LDL(MTRZD)	
6	EN8036S186L2B	1	DUCT, INTAKE - RH	
7	A0002459968	1	ST03 PARTITION,MLCBBOX,TS,42HX9.3D	
8	EN8036A150L2B	1	PANEL, CONTROL INTERFACE	

# CONTROL PANEL ASSEMBLY

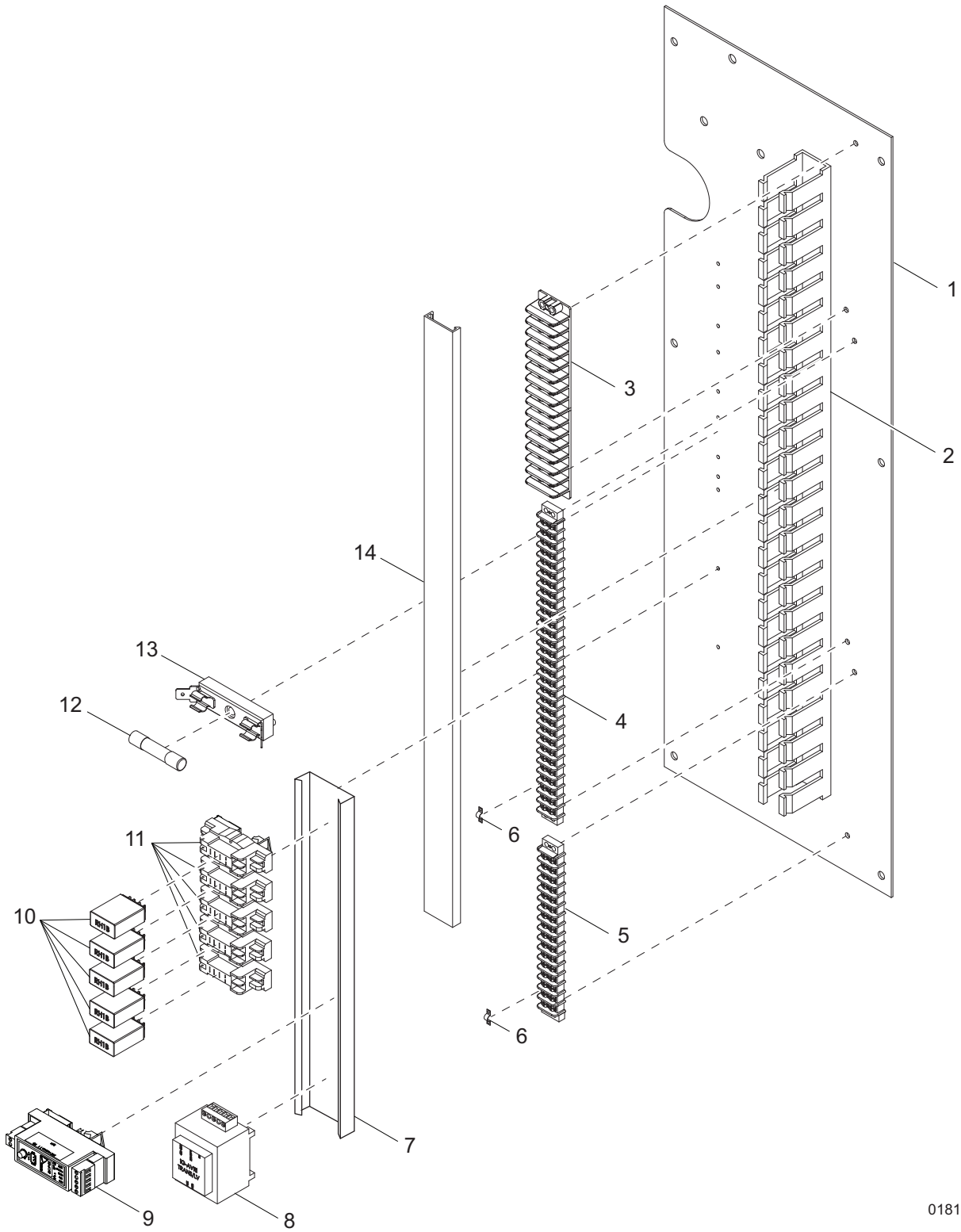


03776

## CONTROL PANEL ASSEMBLY

Item	Part No.	Qty	Description	Notes
1	LD6205B54	1	UMBILICAL, CAN BUS	
2	WD5053A02	1	PLUG, STRAIN RELIEF	
3	WD5051A19	1	WASHER, LOCK HDP20 SERIES PLUG	
4	A0002197867	1	BREAKER, 400A , 3 POLE - 600V	
5	A0002459973	1	ST03 BOX,MLCB,DOOR,BRKR,TS,LDL	
6	35441	4	HINGE, DETENT - NYLON	
7	35424	1	CONTROLLER, IGNITION	
8	50816	1	SWITCH, TOGGLE 1PST, 2 POSITION	
9	EN8035A137L2B	1	PANEL, CONTROL BOX	
10	LB0094F78	1	LABEL, LOWER CONTROL	
11	SP9158	1	SHAFT LOCK, POTENTIOMETER	
12	DI0180A25	2	LAMP, LED MINIATURE	
13	36015	1	POTENTIOMETER, 1K, 2 WATT	
14	FU0064A00	2	FUSE HOLDER, BUSSMAN HKP-HH	
15	LB0094H01	1	LABEL, CONTROL PANEL - UPPER	
16	EN8036A158L2B	1	DOOR, CONTROL PANEL	
17	50812	2	FUSE, 5A - 250V	
18	35451	1	BREAKER, DC 15A	
19	WD5051A18	1	NUT, PANEL HDP20 SERIES	
20	RM1092A17	1	GROMMET, 1.50 - RUBBER	
21	<a href="#">Page 48</a>	1	ASSEMBLY, SUB-PANEL	
22	LB0300A23	1	DECAL, FUEL SELECT	
23	EN8503A55	1	BRACKET, SWITCH MOUNT	
24	SP9093	1	SWITCH, TOGGLE, ON-OFF-ON, AC - 20A	

# SUB-PANEL ASSEMBLY

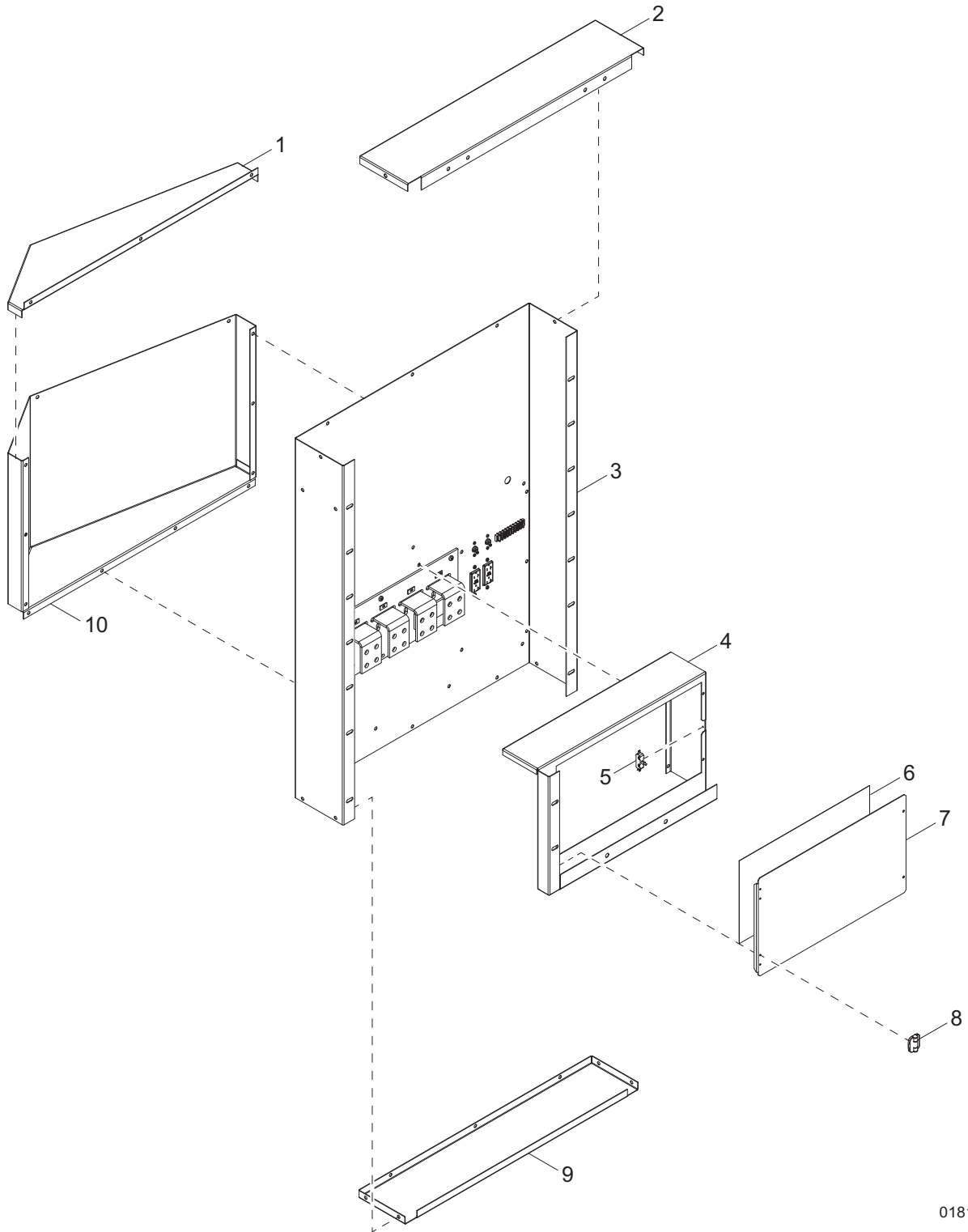


01818

## SUB-PANEL ASSEMBLY

Item	Part No.	Qty	Description	Notes
1	38958	1	PANEL, SUB - CONTROL BOX	
2	39016	4.25 ft	DUCT, WIRE	
3	38972	1	TERMINAL, BLOCK - 14 POSITION, 600V, 20A, 12-22 AWG	
4	38971	1	TERMINAL, STRIP - 30 POSITION, 300V	
5	38973	1	TERMINAL, STRIP - 16 POSITION, 300V	
6	39015	2	JUMPER, TERMINAL STRIP	
7	69748	1	RAIL, DIN	
8	39774	1	TRANSFORMER, AVRI MODULE - GAC	
9	34592	1	INTERFACE, AVR - GAC	
10	35455	5	RELAY, 10A/24V, DC	
11	38966	5	RELAY, BASE - 10A, 1P	
	38967	5	BAIL, RELAY BASE	included with 38966
12	38970	1	FUSE, BUSS - ABC 10	
13	38968	1	FUSE BLOCK, DC - 1 POLE	
14	39017	4.25 ft	COVER, WIRE DUCT	

# POWER PANEL BOX ASSEMBLY



01819

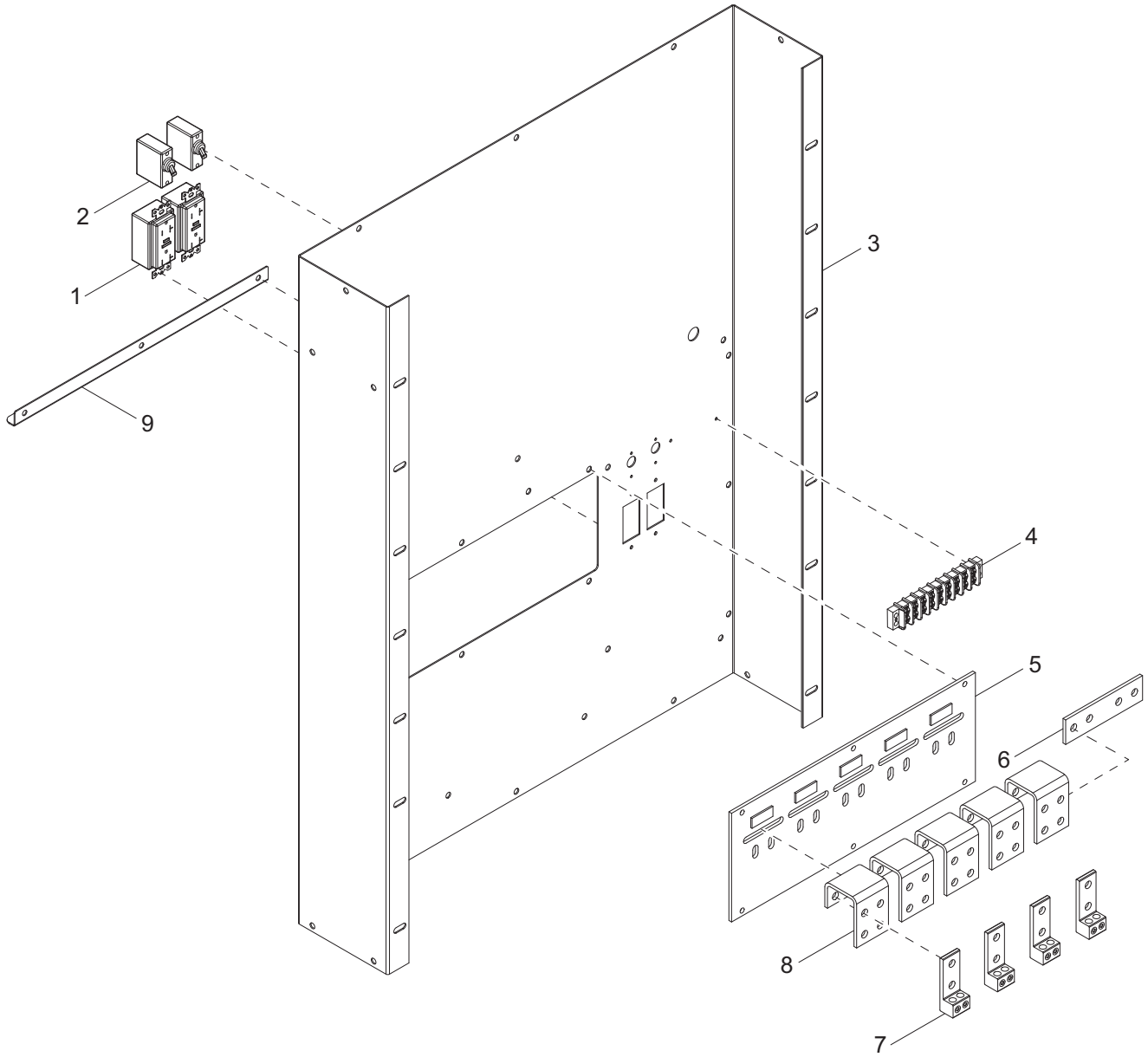


## POWER PANEL BOX ASSEMBLY

---

Item	Part No.	Qty	Description	Notes
1	39060	1	COVER, BUS BAR	
2	39057	1	LID, POWER PANEL - TOP	
3	<a href="#">Page 52</a>	1	ASSEMBLY, POWER PANEL AND LUGS	
4	39061	1	BOX, BUS BAR - POWER PANEL	
5	35430	1	SWITCH, LIMIT - E13-00J	
6	38927	1	PANEL, GLASTIC	
7	39062	1	DOOR, BUS BAR BOX	
8	35441	2	HINGE, DETENT - NYLON, BLACK	
9	39058	1	LID, POWER PANEL - BOTTOM	
10	39059	1	GUARD, POWER PANEL - BUS BAR	

# POWER PANEL AND LUG ASSEMBLY

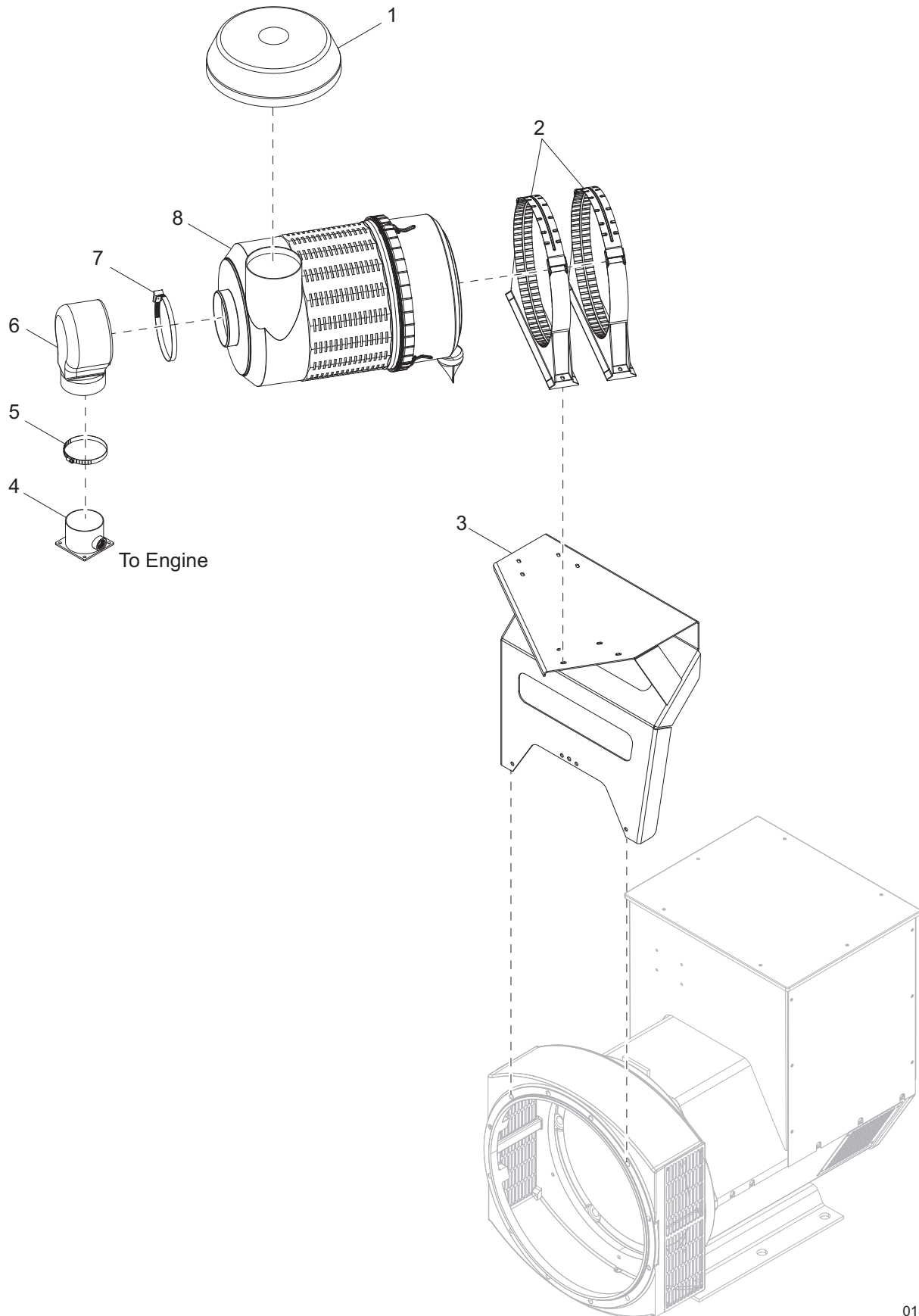


01820

## POWER PANEL AND LUG ASSEMBLY

Item	Part No.	Qty	Description	Notes
1	39074	2	RECEPTACLE, GFCI - 125V/20A	
2	39072	2	BREAKER, 20A - MAGNETIC SINGLE POLE	
3	39055	1	BOX, POWER PANEL	
4	38974	1	TERMINAL, STRIP - 9 POSITION, 300V	
5	39064	1	PLATE, BUS BAR MOUNTING	
6	39066	1	JUMPER, BUS BAR	
7	37565	4	LUG, TERMINAL - DUAL, 2 HOLE	
8	39065	5	BUS BAR, BENT	
9	39056	1	BRACKET, STIFFENER	
--	39079	1	MALLEABLE, .500 FEMALE/FEMALE	
--	39083	1	CONNECTOR, WIRE 30-454	
--	39073	2	RUBBER BOOT	
--	39078	1	FITTING, NIPPLE - .500 CHASE	
--	39080	1	FITTING, BUSHING - .500 CONDUIT	
--	39081	1	FITTING, NIPPLE - .500 X 1.50 CONDUIT	
--	39082	2	NUT, .500 LOCK CONDUIT	

# AIR FILTER ASSEMBLY



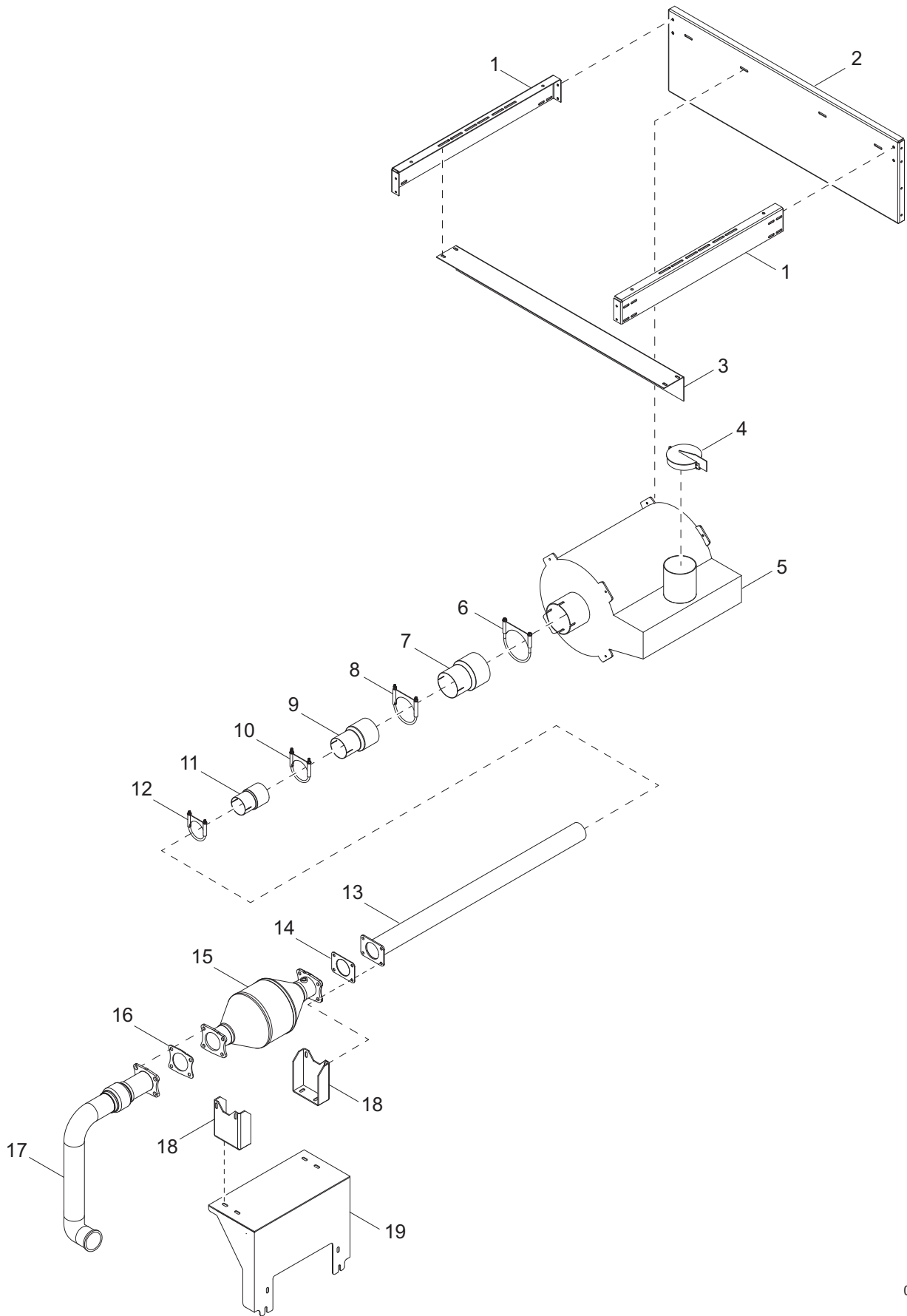
01822

## AIR FILTER ASSEMBLY

---

Item	Part No.	Qty	Description	Notes
1	38804	1	CAP, RAIN - AIR FILTER	
2	38803	2	BAND, MOUNTING - AIR FILTER	
3	38805	1	BRACKET, AIR FILTER	
4	38806	1	TUBE, AIR FILTER - 4.0 OD, WITH FLANGE	
5	38809	1	CLAMP, HOSE - SAE064 (3.56-4.50)	
6	38807	1	ELBOW, RUBBER - 90° COBRAHEAD, 4.0 - 6.0 ID	
7	38808	1	CLAMP, HOSE - SAE128 (6.50-8.50)	
8	35463	1	FILTER, AIR - TWO STAGE	
--	53374	1	ASSEMBLY, AIR FILTER - TWO STAGE	

# EXHAUST SYSTEM ASSEMBLY

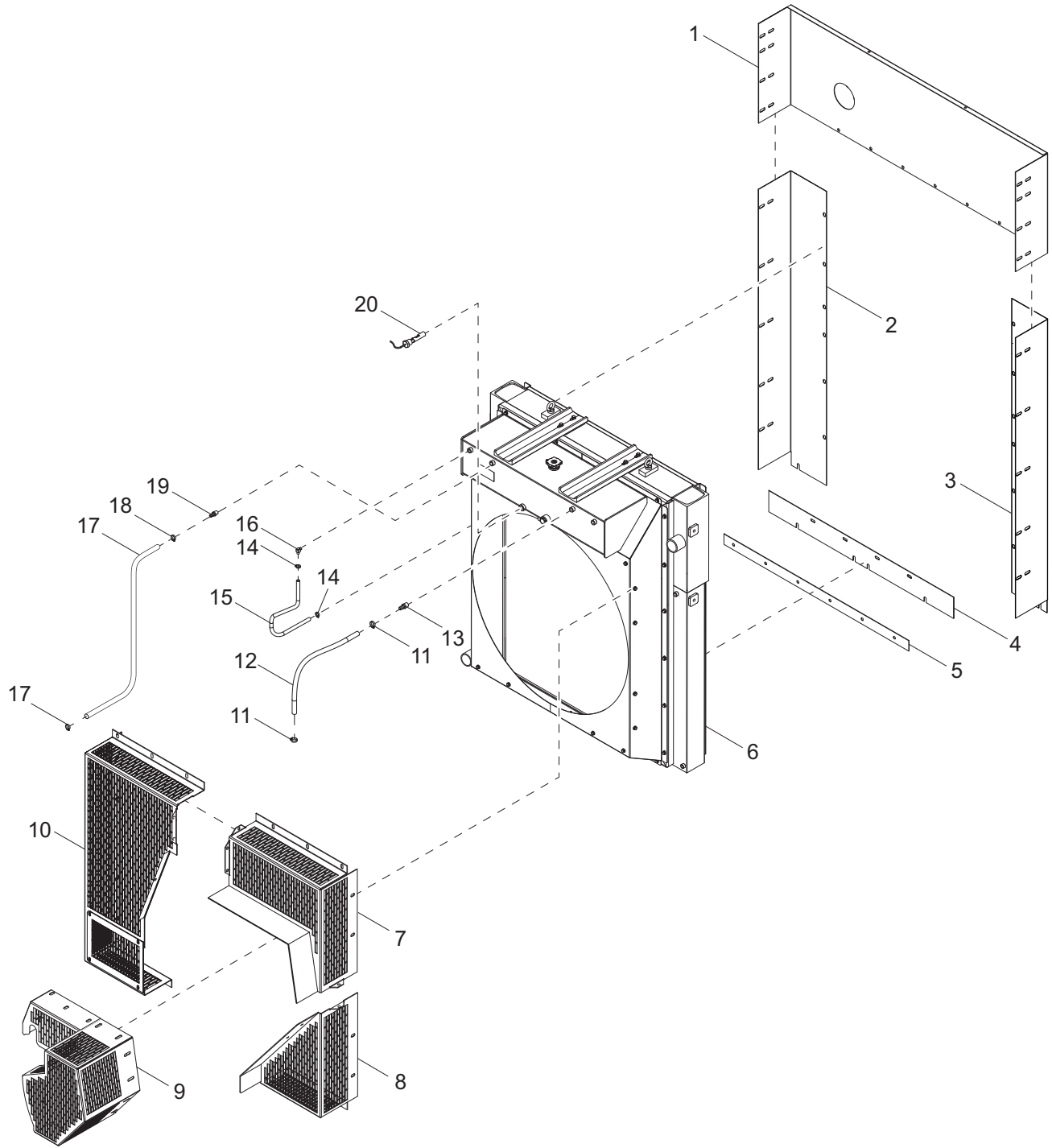


01823

## EXHAUST SYSTEM ASSEMBLY

Item	Part No.	Qty	Description	Notes
1	38869	2	BRACKET, SILENCER - SIDE	
2	38868	1	BRACKET, SILENCER - REAR	
3	38867	1	BRACKET, SILENCER - MAIN	
4	35529	1	CAP, RAIN - 6.0	
5	35528	1	SILENCER, CRT	
6	38877	1	CLAMP, GUILLOTINE - 6.0	
7	38871	1	REDUCER, 6.0 OD - 5.0 ID	
8	38876	1	CLAMP, EXHAUST, 5.0 U-BOLT	
9	38872	1	REDUCER - 5.0 OD - 4.0 ID	
10	38875	1	CLAMP, GUILLOTINE - 4.0	
11	38873	1	REDUCER - 4.0 OD - 3.50 ID	
12	38874	1	CLAMP, GUILLOTINE - 3.50	
13	38870	1	PIPE, EXHAUST - 3.50 OD	
14	36002	1	GASKET, CATALYST	
15	35699	1	CATALYST	
16	35626	1	GASKET, CATALYST MUFFLER	
17	52707	1	TUBE, EXHAUST - ASM IN-LINE	
18	53375	2	BRACKET, CATALYST	
19	69703	1	BRACKET, CATALYST ASSEMBLY	
--	52708	1	SLEEVE, HEAT	
--	53376	1	ASSEMBLY, EXHAUST	

# COOLING SYSTEM ASSEMBLY



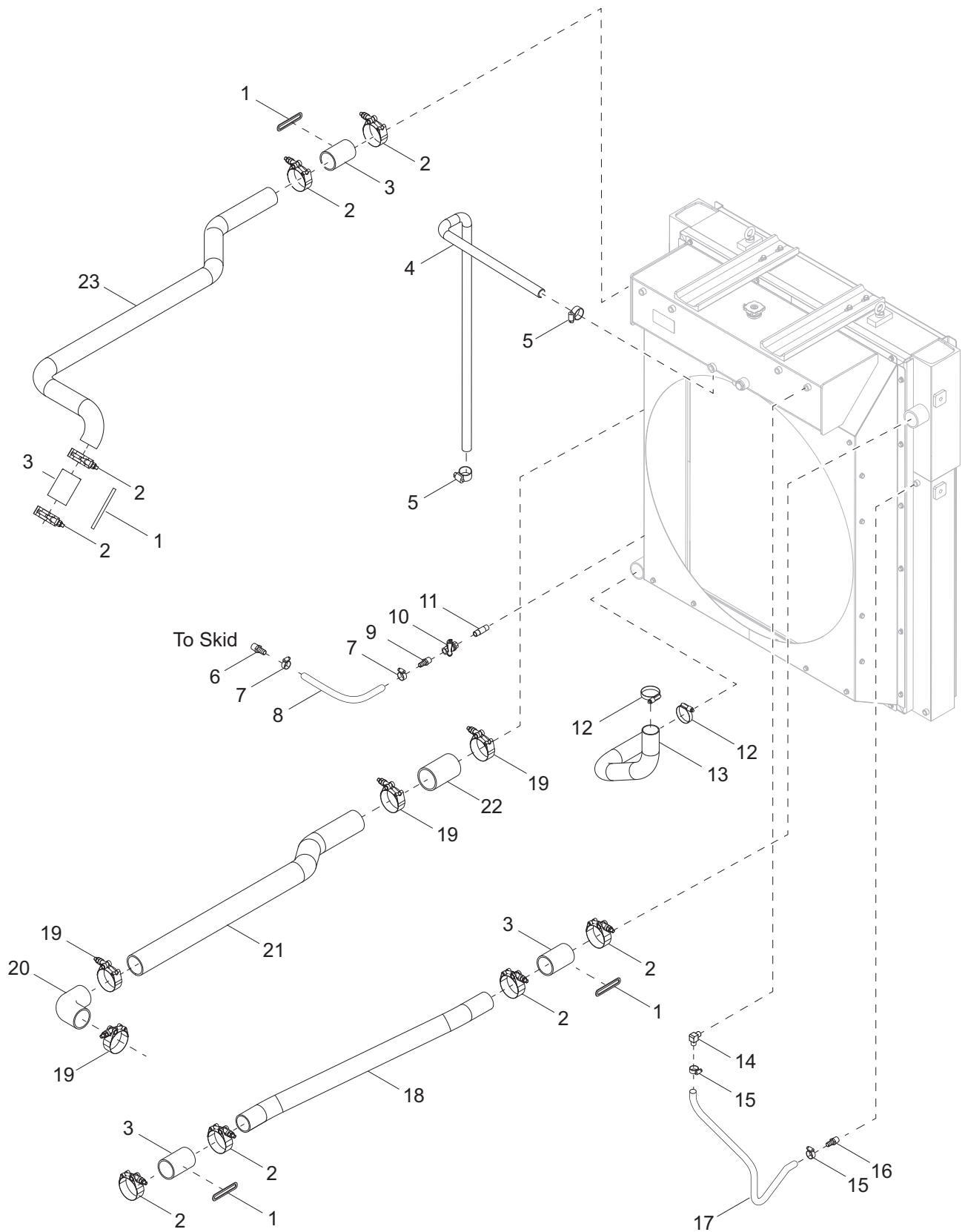
01824



## COOLING SYSTEM ASSEMBLY

Item	Part No.	Qty	Description	Notes
1	38861	1	BULKHEAD, TOP	
2	38859	1	BULKHEAD, RIGHT	
3	38860	1	BULKHEAD, LEFT	
4	38862	1	BULKHEAD, BOTTOM	
5	38863		SPACER, BULKHEAD	As needed
6	69704	1	RADIATOR, D111L	
7	52710	1	GUARD, FAN/BELT - RIGHT TOP	
8	69705	1	GUARD, FAN/BELT - RIGHT BOTTOM	
9	52711	1	GUARD, ALTERNATOR AND TIMING WHEEL	
10	52712	1	GUARD, FAN/BELT - LEFT	
11	69706	2	CLAMP, HOSE - SAE10 (562-1.062)	
12	52714	4 ft	HOSE, HEATER - .375 ID	
13	69707	1	FITTING, STRT - .250NPT X .375 BARB	
14	69708	2	CLAMP, HOSE .500	
15	52714	4 ft	HOSE, HEATER	
16	69709	1	FITTING, 90° ELBOW - .250NPT X .375 BARB	
17	69710	5 ft	HOSE, HEATER .625ID, 60PSO	
18	69711	2	CLAMP, HOSE .875 SPRING	
19	69712	1	FITTING, STRT .500 X .625 BARB, BRASS	
20	36016	1	SWITCH, LOW COOLANT - .375NPT	

# COOLING SYSTEM HOSES

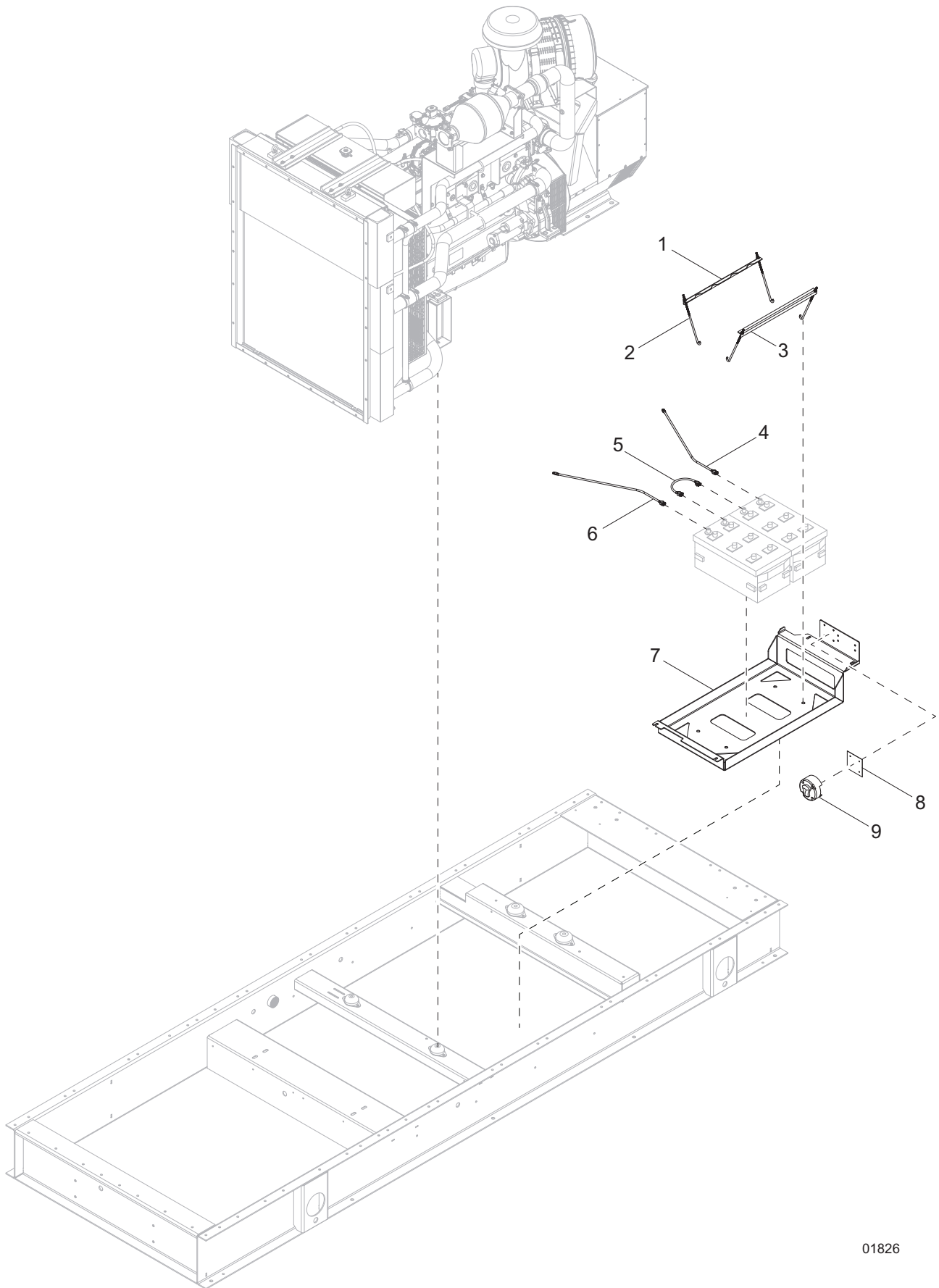


01825

## COOLING SYSTEM HOSES

Item	Part No.	Qty	Description	Notes
1	38799	4	PLATE, CAC TIE DOWN	
2	69747	8	CLAMP, T-BOLT 2.53-2.81	
3	52720	4	HOSE, 2.50 ID X 3.0, SILICONE	
4	52718	8.33 ft	HOSE, HEATER	
5	52717	2	CLAMP, HOSE - SAE16 (.812-1.50)	
6	38931	1	FITTING, STRT - .500NPT X .500 BARB, BRASS	
7	38930	2	CLAMP, HOSE - SAE010 (.562-1.062)	
8	36011	1.5 ft	HOSE, .500 ID, SAE100R6	
9	38929	1	FITTING, STRT - .250MNPT X .500 BARB, BRASS	
10	38928	1	VALVE, BALL .250NPT - FEMALE/FEMALE, BRASS	
11	38914	1	FITTING, NIPPLE - .250 X 2.0	
12	19336	2	CLAMP, HOSE - SAE044 (2.312-3.25)	
13	52723	1	HOSE, RADIATOR - LOWER	
14	38947	1	FITTING, 90° ELBOW - .250NPT X .375 BARB, BRASS	
15	69713	2	CLAMP, HOSE	
16	69714	1	FITTING, NIPPLE - .250NPT BARB, BRASS	
17	52714	1	HOSE, HEATER	
18	69715	1	TUBE, CAC TO INTAKE, SS	
19	69716	4	CLAMP, HOSE - CONSTANT TORQUE (2.750-3.625)	
20	52722	1	HOSE, 90° ELBOW - 3.0	
21	52721	1	PIPE, RADIATOR INLET, SS	
22	69717	1	HOSE, 3.0 ID X 4.0 LINED, SILICONE	
23	52719	1	TUBE, CAC TO COMPRESSOR	

# ENGINE AND GENERATOR TO UNIT



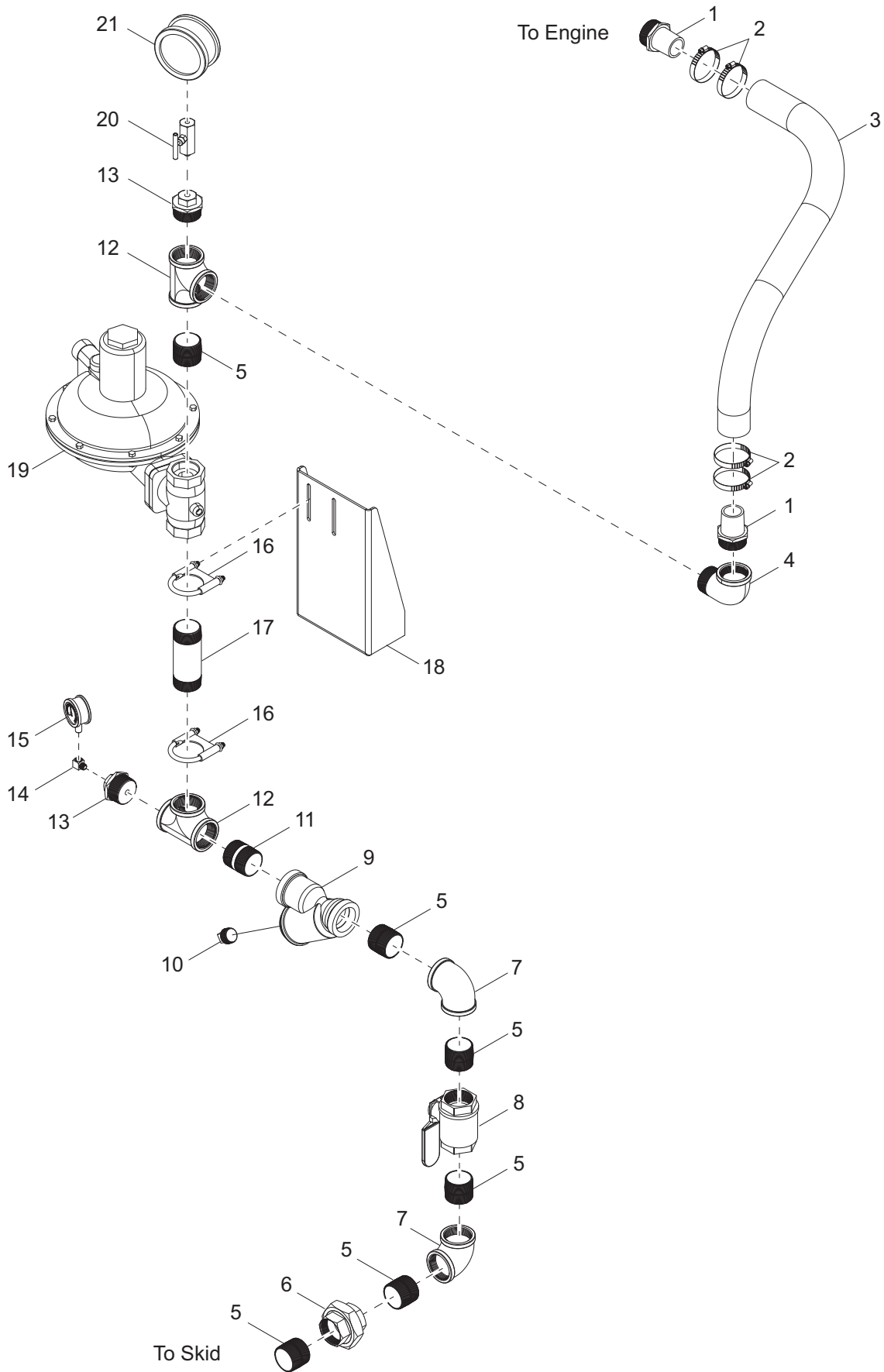
01826

## ENGINE AND GENERATOR TO UNIT

---

Item	Part No.	Qty	Description	Notes
1	38918	1	BRACKET, BATTERY TIE DOWN W/CUTOUPS	
2	38920	4	J-BOLT, .250-20 X 12.0 LONG	
3	38919	1	BRACKET, BATTERY TIE DOWN	
4	38922	1	CABLE, BATTERY - NEGATIVE, 43.0	
5	38924	1	CABLE, POSITIVE AND NEGATIVE JUMPER	
6	38923	1	CABLE, BATTERY - POSITIVE, 43.0	
7	38917	1	RACK, BATTERY - DUAL	
8	38926	1	GLASTIC, SWITCH - DISCONNECT	
9	38921	1	SWITCH, BATTERY - DISCONNECT	

# FUEL SYSTEM ASSEMBLY

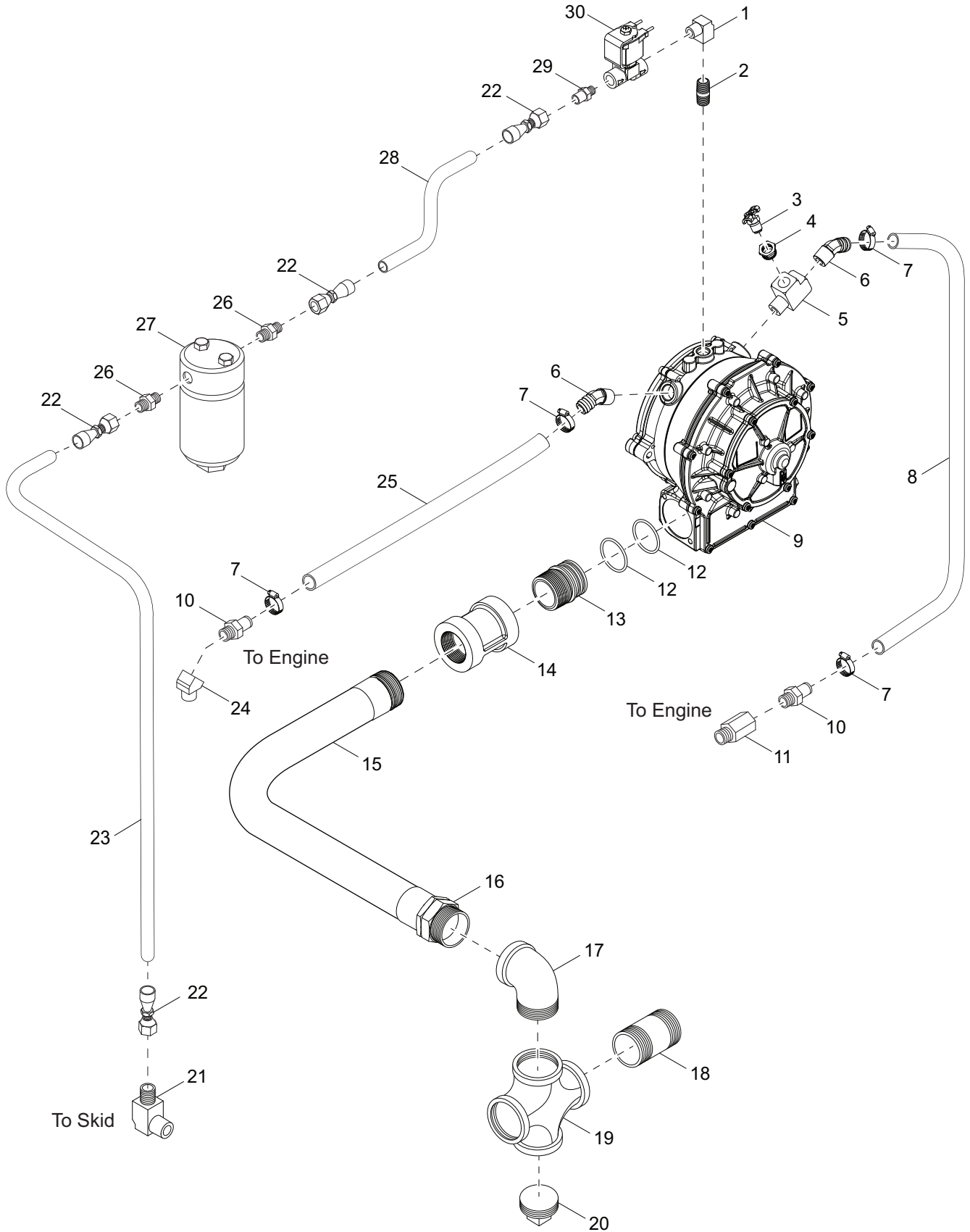


01827

## FUEL SYSTEM ASSEMBLY

Item	Part No.	Qty	Description	Notes
1	38884	2	FITTING, NIPPLE - 2.0NPT X 2.0	
2	38886	4	CLAMP, HOSE - 1.125- 3.0	
3	38885	4 ft	HOSE, FUEL 2.0 ID	
4	38881	1	FITTING, 90° ELBOW - 2.0	
5	38896	6	FITTING, PIPE NIPPLE - 2.0	
6	38899	1	FITTING, GROUND JOINT UNION - 2.0	
7	38897	2	FITTING, 90° - 2.0NPT	
8	38900	1	FITTING, BALL VALVE - 2.0	
9	38879	1	STRAINER, FUEL - 2.0NPT	
10	38880	1	FITTING, PLUG - 1.0NPT SQUARE HEAD	
11	38895	1	FITTING, PIPE NIPPLE - 2.0NPT X 3.0	
12	38894	2	FITTING, T - 2.0NPT	
13	38892	2	BUSHING, HEX - 2.0NPT X 0.25NPT	
14	38887	1	FITTING, 90° ELBOW - 0.25NPT, BRASS	
15	37907	1	GAUGE, PRESSURE - 2.50	
16	38882	2	CLAMP, GUILLOTINE - 2.50	
17	38893	1	FITTING, PIPE NIPPLE - 2.0NPT X 6.0	
18	38883	1	BRACKET, GAS TRAIN - DUEL FUEL	
19	38901	1	REGULATOR, GAS	
20	38903	1	VALVE, NEEDLE - GAS PRESSURE	
21	38902	1	Gauge, pressure - 4.5/30 in	

# VAPORIZER ASSEMBLY



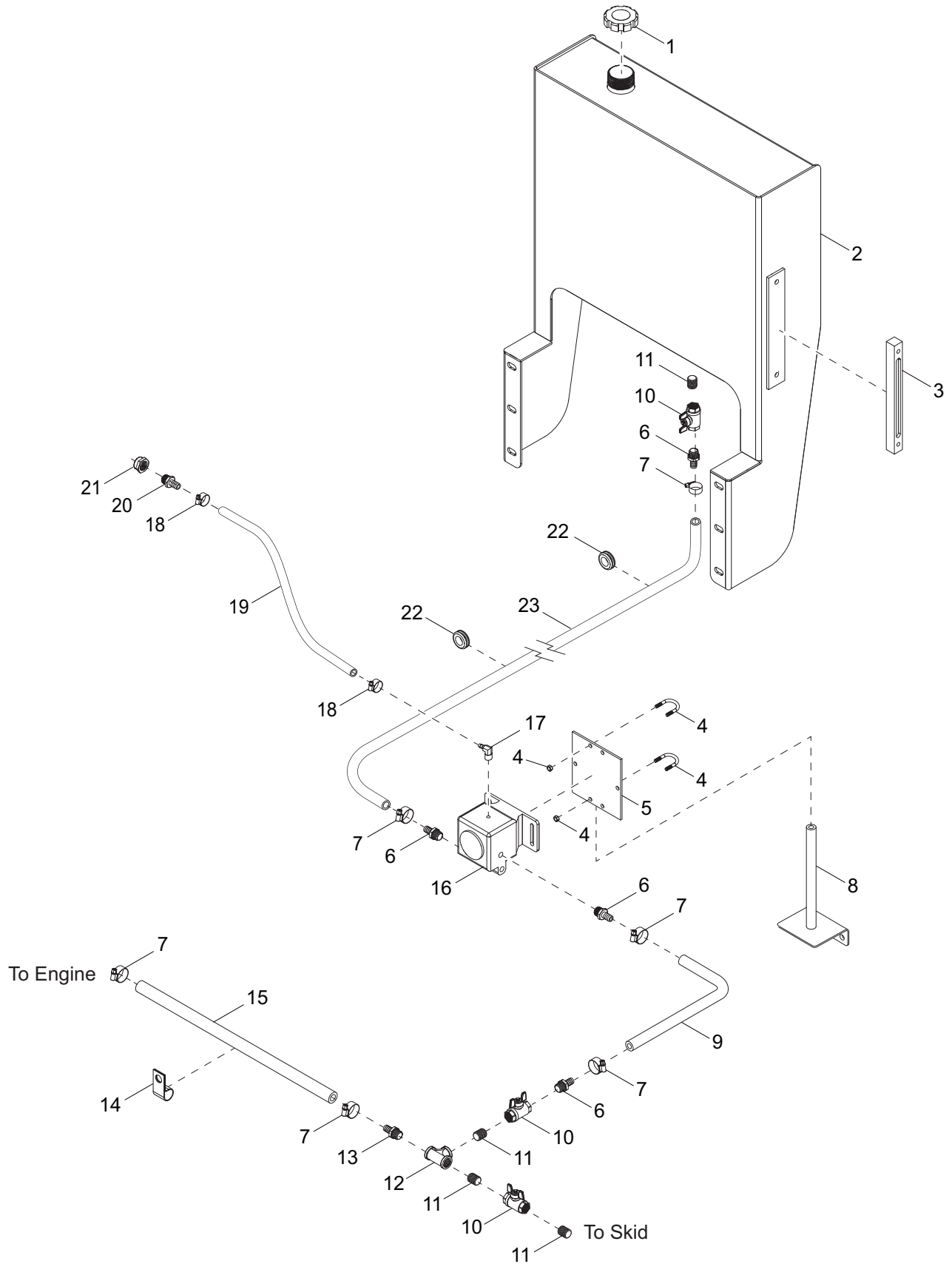
01828



## VAPORIZER ASSEMBLY

Item	Part No.	Qty	Description	Notes
1	38887	1	FITTING, 90° ELBOW - .250NPT, BRASS	
2	38914	1	FITTING, NIPPLE - .250 X 2.0	
3	69719	1	DRAIN COCK, .125NPT	
4	69720	1	BUSHING, .375NPT-.125NPT	
5	69721	2	FITTING, T - .325 STREET	
6	69749	2	FITTING, 45° ELBOW - .375NPT X .625 BARB	
7	69711	4	CLAMP, HOSE - .875 SPRING	
8	69710	5 ft	HOSE, WATER - .625 ID, 60 PSO	
9	38909	1	KIT, VAPORIZER	
10	69722	1	FITTING, STRT - .325 X .625 HB	
11	69723	1	FITTING, STRT - .325FNPT X .500MNPT	
12	69724	2	O-RING, SIZE 127	
13	69725	1	ADAPTER, 1.25MNPT	
14	69726	1	COUPLER, 1.25NPT	
15	69727	2 ft	HOSE, 1.25NPT	
16	69728	1	ADAPTER, 1.25MNPT	
17	69729	1	FITTING, 90° ELBOW - 1.25NPT	
18	69730	1	FITTING, NIPPLE - 1.25NPT X 3.0	
19	69731	1	FITTING, CROSS - 1.25NPT	
20	69732	1	FITTING, PLUG - 1.25NPT, MALE	
21	38915	1	FITTING, 90° ELBOW, .25MNPT	
22	38911	4	FITTING, SWIVEL HOSE NIPPLE	
23	38913	9 ft	HOSE, FUEL - .375 ID	
24	69733	1	FITTING, 45° ELBOW	
25	69710	5 ft	HOSE, HEATER - .625 ID, 60 PSO	
26	69734	2	FITTING, NIPPLE - IN-LINE FILTER	
27	31318	1	FILTER, FUEL LP IN-LINE .250NPT	
28	38913	1 ft	HOSE, FUEL - .375 ID	
29	38910	1	FITTING, MALE PIPE X MALE JIC	
30	69718	1	LOCK-OFF, LP LIQUID, 24V	
--	38908	1	ASSEMBLY, LPL FUEL TRAIN, DUEL FUEL	
--	38904	1	KIT, DIODE .250 FEMALE	

# OIL TANK ASSEMBLY

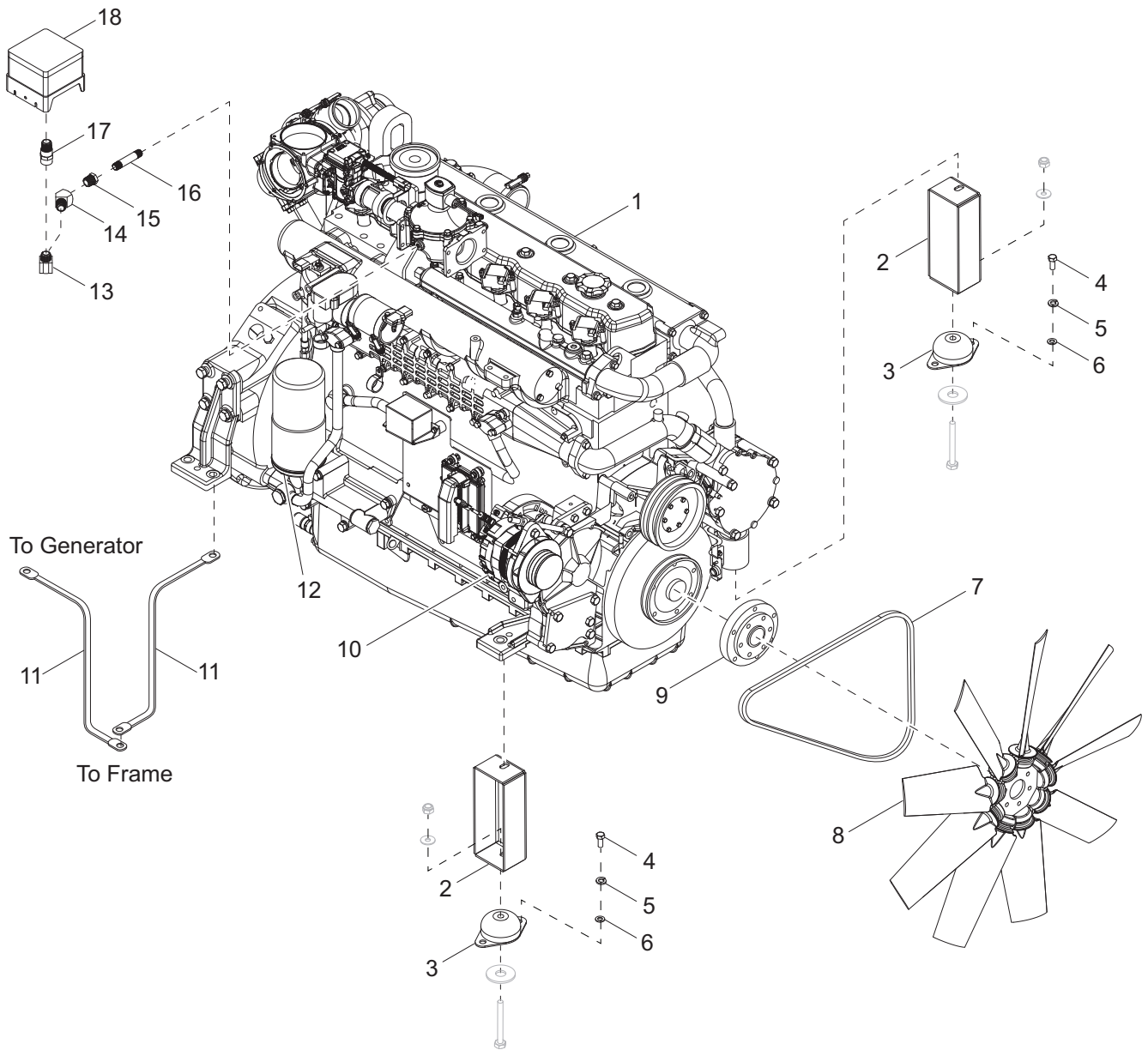


01829

## OIL TANK ASSEMBLY

Item	Part No.	Qty	Description	Notes
1	38939	1	CAP, OIL - FILL/VENT, 2.0	
2	38934	1	OIL TANK, 16 GALLON	
3	38940	1	GAUGE, LIQUID LEVEL - 10.0	
4	38938	2	U-BOLT, .250 X .750 PIPE	
5	38937	1	BRACKET, OIL LEVEL CONTROLLER	
6	38931	4	FITTING, .500NPT X .500 BARB, BRASS	
7	38930	6	CLAMP, HOSE .562 - 1.062	
8	38936	1	BRACKET, OIL LEVEL GAUGE	
9	36011	1.5 ft	HOSE, .500, SAE100R6	
10	38943	3	VALVE, BALL - T-HANDLE, .500NPT	
11	38942	4	FITTING NIPPLE - .500NPT	
12	38941	1	FITTING, T - .500NPT	
13	38944	1	FITTING, .500MNPT X .625 BARB, BRASS	
14	38948	2	CLAMP, MED DUTY - 1.0	
15	36012	5 ft	HOSE, .625 SAE100R6	
16	31315	1	CONTROLLER, OIL LEVEL	
17	38947	1	FITTING, 90° - .250NPT X .375 BARB, BRASS	
18	38945	2	CLAMP, HOSE - SAE008 (.437 - 1.0)	
19	38946	2 ft	HOSE, .375	
20	38949	1	FITTING, .500NPT X .375 BARB, BRASS	
21	38950	1	FITTING, M18 X 1.5M - .500NPT	
22	38951	2	GROMMET, .880 ID X .190 GW X 1.25 GD	
23	36011	11.08 ft	HOSE, .500, SAE100R6	

# ENGINE ASSEMBLY

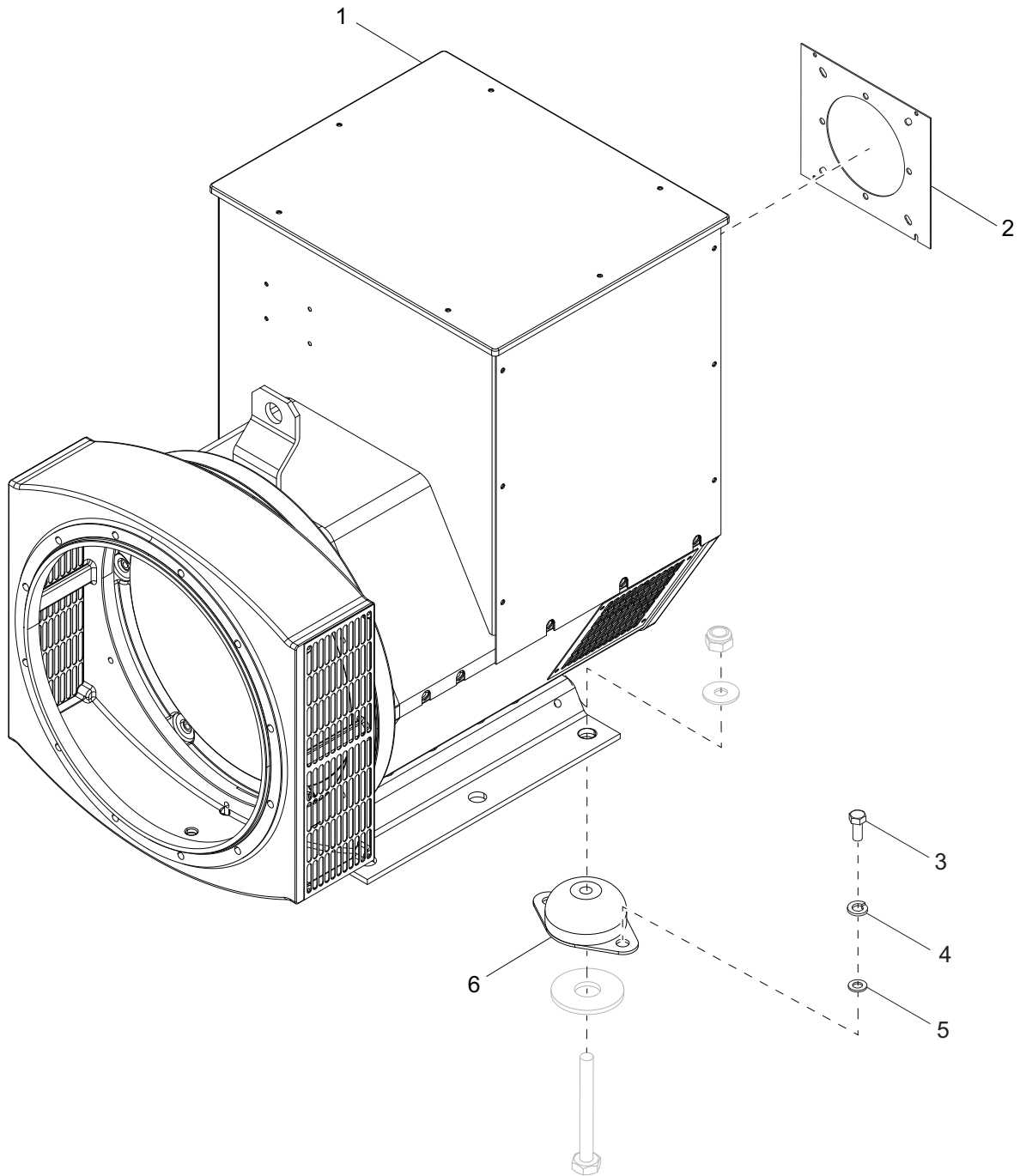


01830

## ENGINE ASSEMBLY

Item	Part No.	Qty	Description	Notes
1	38790	1	ENGINE, D111TIC	
2	38797	2	MOUNT, ENGINE 13.0	
3	35469	2	VIBRO-MOUNT, 925 LB	
4	38794	4	SCREW, .375-16 X 1.0, HEX, G5	
5	38795	4	WASHER, .375 SPLIT LOCK	
6	38796	4	WASHER, .375 FLAT	
7	35703	1	BELT, FAN	
8	52713	1	FAN	
9	69735	1	SPACER, FAN	
10	35702	1	ALTERNATOR	
11	38925	2	CABLE, GROUND	
12	35666	1	FILTER, OIL	
13	38887	1	FITTING, 90° ELBOW - .250NPT, BRASS	
14	38890	1	FITTING, 45° ELBOW - .250NPT, BRASS	
15	38891	1	FITTING, COUPLER - .250NPT, BRASS	
16	38888	1	FITTING, PIPE NIPPLE - .125NPT X 2.0	
17	38889	1	FITTING, BUSHING - .250 X .125NPT, BRASS	
18	35434	1	SWITCH, GAS PRESSURE	

# GENERATOR ASSEMBLY



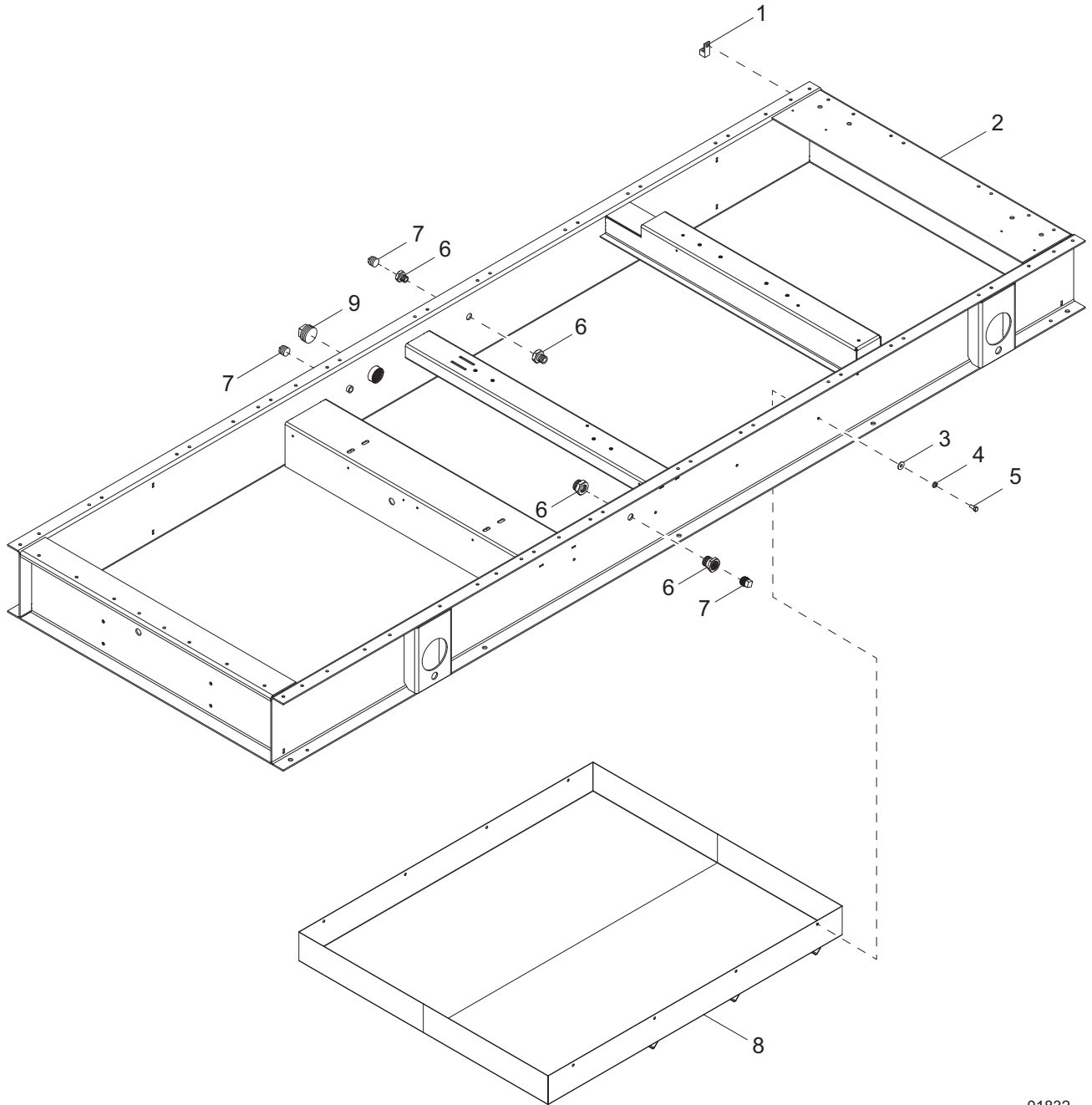
01831

## GENERATOR ASSEMBLY

---

Item	Part No.	Qty	Description	Notes
1	38791	1	GENERATOR, PMG - UCI274G	
2	38800	1	PANEL, CONNECT BOX, 6.0 FLEX WIREWAY	
3	38794	4	SCREW, .375-16 X 1.0, HEX, G5	
4	38795	4	WASHER, .375 SPLIT LOCK	
5	38796	4	WASHER, .375 FLAT	
6	35470	2	DOME, VIBRO-MOUNT, 1250 LB	
--	39091	3	LEADS, CT - 1.56 ID, 48 IN	

# SKID ASSEMBLY



01832

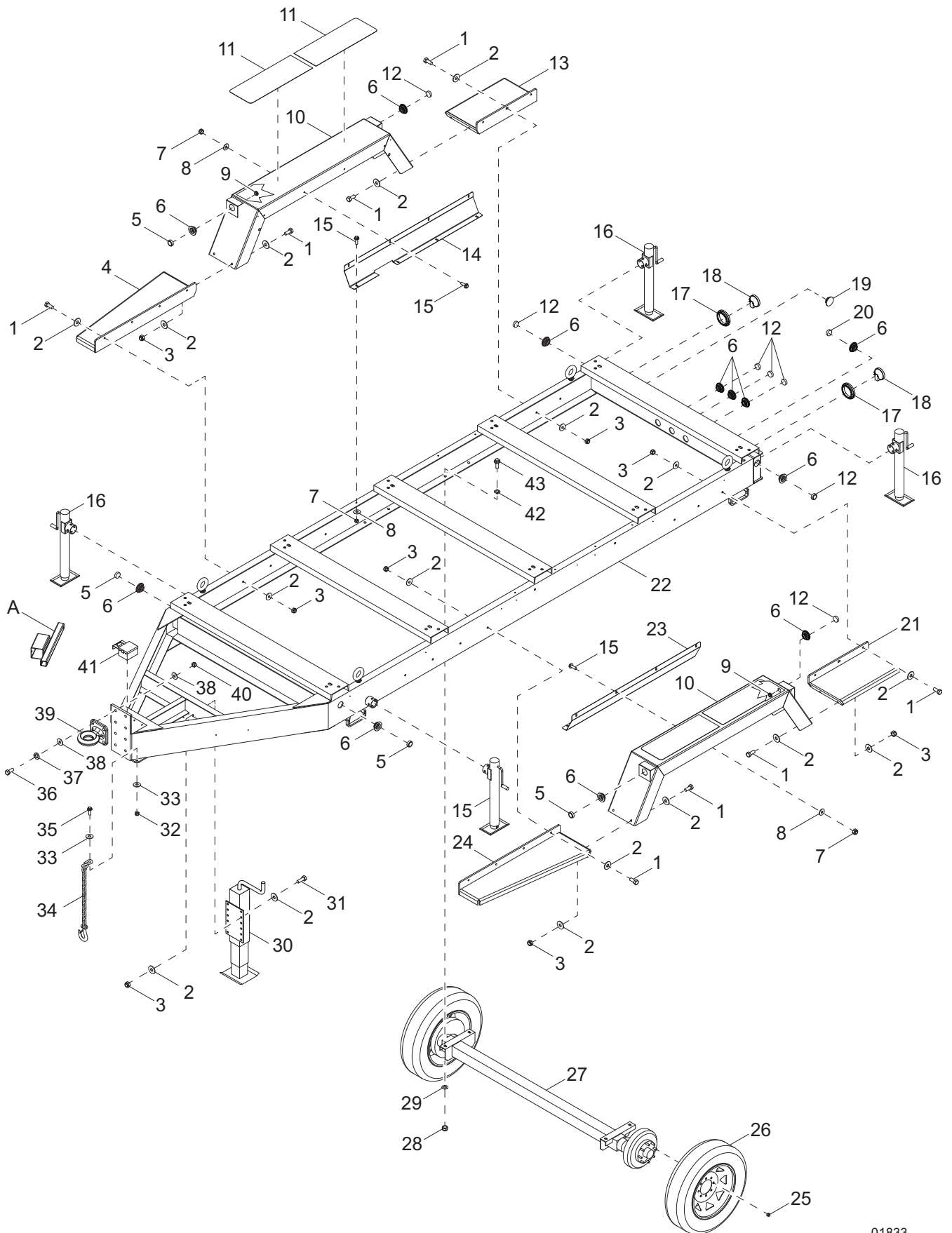


## SKID ASSEMBLY

---

Item	Part No.	Qty	Description	Notes
1	39092	1	LUG, GROUND - 1/0-14 AWG	
2	38792	1	WELDMENT, SKID	
3	38796	8	WASHER, .375 FLAT	
4	38795	8	WASHER, .375 SPLIT LOCK	
5	38794	8	SCREW, .375-16 X 1.0 HEX, G5	
6	38932	2	FITTING, BULKHEAD - .500FPT, BRASS	
7	38933	3	FITTING, PLUG - .500NPT, SQUARE HEAD	
8	38793	1	DRIP PAN	
9	38898	1	FITTING, PLUG - 2.0	

# TRAILER ASSEMBLY



01833

## TRAILER ASSEMBLY

Item	Part No.	Qty	Description	Notes
1	60830	22	SCREW, .500-13 X 1.75 STD HEX, SS	
2	60416	52	WASHER, .500 FLAT 1.375/.090	
3	62221	26	NUT, .500-13 NYLOCK, G5	
4	35337B	1	WELDMENT, FRONT STEP - RIGHT	
5	66702	4	LIGHT, CLEARANCE, 2.0, NO GROMMET - AMBER	
6	66394	12	GROMMET, SEALED BEAM LIGHT, 2.0 - RUBBER	
7	60358	16	NUT, .375-16 NYLOCK, G5	
8	60698	32	WASHER, .375 FLAT .875/.040, SS	
9	29653	8	GROMMET, .563 ID X .125TH X .813 ID HOLE	
10	27657B	2	WELDMENT, TRAILER FENDER - LARGE	
11	22398	4	PAD, SLIP RESISTANT - 10.0 X 28.0	
12	66703	7	LIGHT, CLEARANCE 2.0, NO GROMMET - RED	
13	35339B	1	WELDMENT, REAR STEP - RIGHT	
14	35345B	1	SHIELD, FENDER - RIGHT	
15	61036	16	SCREW, .375-16 X 1.25 STD HEX, SS	
16	41133	4	JACK, SIDE WIND - 2000 LB - TUBE MOUNTED	
17	10221	2	GROMMET, REAR LIGHT 4.50 - RUBBER	
18	10220	2	LIGHT, REAR TAIL/TURN, ROUND, NO GROMMET	
19	62161	1	PLUG, HOLE - 2.25 DIA, BLACK	
20	66395	1	LIGHT, UTILITY, 2.0, NO GROMMET - CLEAR	
21	35342B	1	WELDMENT, REAR STEP - LEFT	
22	35323B	1	WELDMENT, TRAILER FRAME	
23	35344B	1	SHIELD, FENDER - LEFT	
24	35334B	1	WELDMENT, FRONT STEP - LEFT	
25	60096	32	NUT, .500-20 LUG, G5	
26	22592	4	WHEEL, ST235/80R16, 3500 LB	
27	<a href="#">Page 78</a>	2	ASSEMBLY, AXLE	
28	60240	8	NUT, .625-11 NYLOCK, G5	
29	60180	8	WASHER, .625 FLAT 1.750/.10-.16	
30	24084B	1	WELDMENT, TOP WIND JACK, 12000 LB	
31	60484	4	SCREW, .500-13 X 2.0 STD HEX, G5	
32	60668	2	NUT, .500-13 NYLOCK, G8	
33	61096	4	WASHER, .500 FLAT 1.375/.110	
34	20159	2	CHAIN, SAFETY .375	
35	60118	2	SCREW, .500-13 X 2.0 FLG HEX, G8	
36	60854	4	SCREW, .750-10 X 3.50 STD HEX, G8	
37	60384	4	WASHER, .750 SPLIT LOCK	
38	60081	8	WASHER, M20 FLAT	
39	24081B	1	RING, 3.0 DRAW BAR - SQUARE MOUNT	
40	60249	4	NUT, .750-10 HEX, G8	
41	19417	1	KIT, BREAKAWAY	
42	60651	8	WASHER, .625 SQUARE BEVEL STRUCTURAL,	
43	61078	8	SCREW, .625-11 X 2.0 FLG HEX, G8	
--	68032	1	HARNESS, ELECTRIC BRAKE	
--	68034	1	HARNESS, TRAILER	
--	65593	1	HARNESS, ADAPTER, TRAILER, 4 PIN AND 2 PIN TO ELECTRIC BRAKE TO 6 PIN	

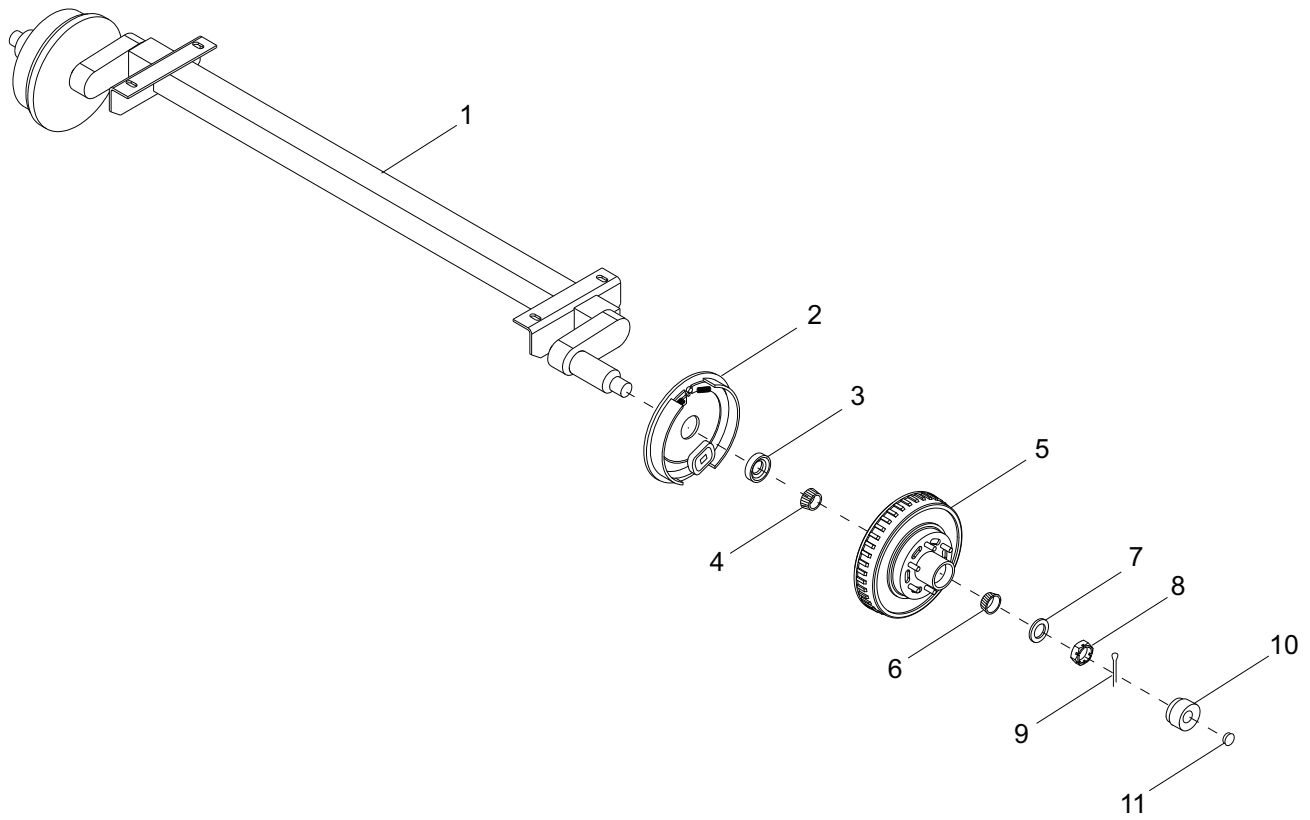
### OPTIONAL FEATURES

#### *Spare Tire Group:*

A	27288	1	WELDMENT, SPARE TIRE CARRIER
---	-------	---	------------------------------

# AXLE ASSEMBLY

---



01834

## AXLE ASSEMBLY

Item	Part No.	Qty	Description	Notes
1	35318	1	AXLE, 7000 LB 73 IN. FRAME, ELECTRIC BRAKE	
2	69736	2	BRAKE SHOE - LEFT, 7000 LB TORFLEX	
--	69737	2	BRAKE SHOE - RIGHT, 7000 LB TORFLEX	
3	69738	2	SEAL, 7000 LB TORFLEX	
4	69739	2	BEARING, INNER 7000 LB TORFLEX	
5	69740	2	HUB, 7000 LB TORFLEX	
6	69741	2	BEARING, OUTER, 7000 LB TORFLEX	
7	69742	2	WASHER, SPINDLE 7000 LB TORFLEX	
8	69743	2	NUT, SPINDLE 7000 LB TORFLEX	
9	69744	2	PIN, COTTER	
10	69745	2	CAP, GREASE 7000 LB TORFLEX	
11	69746	2	PLUG, GREASE CAP 7000 LB TORFLEX	

## RECOMMENDED SPARE PARTS LIST

---

### ENGINE

ALTERNATOR .....	35702
BELT, FAN .....	35703
CATALYST GASKET .....	35626
ELEMENT, AIR FILTER .....	38802
FILTER, LPL FUEL - IN-LINE .....	31318
FILTER, OIL.....	35666
GASKET SET .....	35643
HOSE, RADIATOR - LOWER.....	52723
SENSOR - O <sup>2</sup> .....	35616
SENSOR, LOW COOLANT .....	36016
SPARK PLUG .....	35610
STARTER .....	35677
THERMOSTAT (181°F, 83°C).....	35612

### ELECTRICAL

BREAKER, DC - 15A.....	36013
BREAKER, 20A - SINGLE POLE .....	39072
BREAKER, 400A, 3P, 600V .....	A0002197867
CONTROLLER, PROGRAMMED .....	CALL
DONGLE, IGSNT.....	35535
POTENTIOMETER, 1K OHM - 2 WATT .....	36015
RECEPTACLE, BLACK - 125V/20A .....	39074
RELAY, 10A .....	35455
SWITCH, E-STOP .....	38977
SWITCH, GAS PRESSURE .....	35434
SWITCH, LIMIT .....	35430
SWITCH, TOGGLE - 2 POS.....	50816
TRANSFORMER, AVRI MODULE GAC.....	39774

### TRAILER

JACK, SIDE WIND - 2000 LB .....	41133
JACK, TOP WIND -12000 LB .....	24084B

### MAINTENANCE KITS

PM KIT, GENERAL.....	35640
PM KIT (OIL FILTER, VALVE COVER GASKET).....	35638
PM KIT, W/SIX SPARK PLUGS.....	35639



Part No. 37793 Rev. B 09/15/2022

©2022 Generac Power Systems, Inc.  
All rights reserved.

Specifications are subject to change without notice.  
No reproduction allowed in any form without prior written consent  
from Generac Power Systems, Inc.



Generac Power Systems, Inc.  
S45 W29290 Hwy. 59, Waukesha WI 53189

[GeneracMobileProducts.com](https://www.GeneracMobileProducts.com) | 844-ASK-GNRC | 844-275-4672