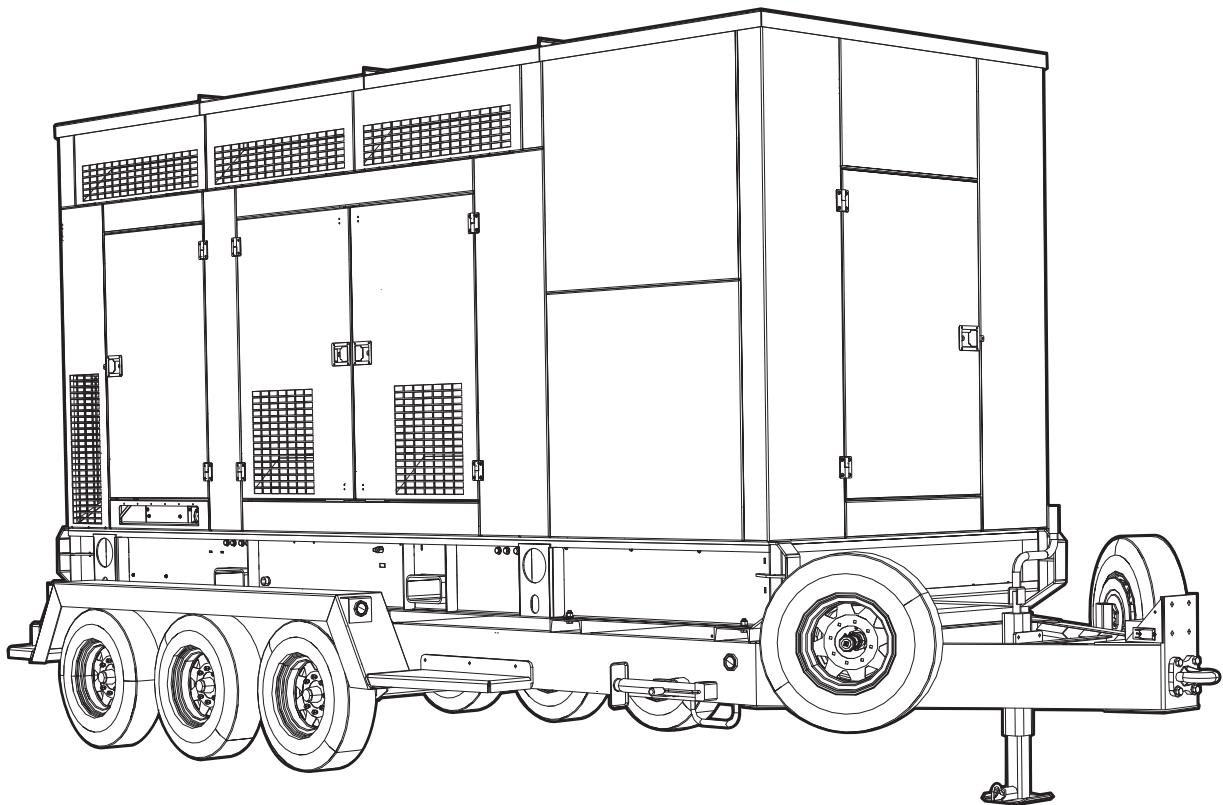


MGG450

Gaseous Generator Parts Manual



MODEL NUMBER: _____

SERIAL NUMBER: _____

DATE PURCHASED: _____

SAVE THIS MANUAL FOR FUTURE REFERENCE

 **WARNING**

CANCER AND REPRODUCTIVE HARM

www.P65Warnings.ca.gov.

(000393a)

 **WARNING**

Breathing diesel engine exhaust exposes you to chemicals known to the State of California to cause cancer and birth defects or other reproductive harm.

- Always start and operate the engine in a well-ventilated area.
- If in an enclosed area, vent the exhaust to the outside.
- Do not modify or tamper with the exhaust system.
- Do not idle the engine except as necessary.

For more information go to

www.P65Warnings.ca.gov/diesel. (000394)

Introduction

This parts manual was prepared based on the information available at the time of publication and is subject to change without notice. Generac Mobile reserves the right to change parts at any time. To check whether a revised parts manual is available, contact Generac Mobile.

DO NOT MODIFY or use this equipment for any application other than which it was designed for. To keep your equipment fully operational, it is suggested you maintain a stock of commonly used maintenance or service parts. A recommended spare parts list can be found in the back of this manual. To order service parts, please go to www.generacmobileproducts.com or call Generac Mobile.



WARNING

Consult Manual. Read and understand manual completely before using product. Failure to completely understand manual and product could result in death or serious injury. (000100a)

WARNING

Environmental Hazard. Always recycle batteries at an official recycling center in accordance with all local laws and regulations. Failure to do so could result in environmental damage, death, or serious injury. (000228)

GENERAC MOBILE PRODUCTS LLC

215 Power Drive • Berlin, WI 54923 U.S.A.

Phone: 920-361-4442

FAX: 920-361-4416

Toll Free: 1-800-926-9768

www.generacmobileproducts.com

For technical or parts QUESTIONS, contact Generac Mobile Technical Service at 1-800-926-9768.

Engine Make: _____

Engine Serial Number: _____

Engine Model Number: _____

This Page Intentionally Left Blank

Table of Contents

Introduction	iii
Parts Manual Instructions	1
Unit Decals - Exterior	2
Unit Decals - Interior	4
Enclosure Panels	10
Roof and Doors to Unit	12
Lift Structure Assembly	14
Upper and Middle Panels to unit - Right Side	16
Upper and Middle Panels to unit - Left Side	18
Door Assembly - Right Side Front	20
Door Assembly - Left Side Front	22
Double Door Assembly - Right	24
Double Door Assembly - Left	26
Control Door Assembly	28
Roof Assembly	30
Front Enclosure Assembly	32
Front Door Assembly	34
Front Enclosure Side Panels Assembly	36
Front Panel Assembly	38
Rear Corner and Upper Panel Assembly	40
Rear Corner Assembly	42
Control Box Assembly (1 of 3)	44
Control Box Assembly (2 of 3)	46
Control Box Assembly (3 of 3)	48
Power Panel Box Assembly (1 of 2)	50
Power Panel Box Assembly (2 of 2)	52
Air Filter Assembly	54
Exhaust System Assembly	56
Exhaust System Support	58
Cooling System Assembly	60
Cooling System Hoses	62
Turbocharger Assembly	64
Fuel System Assembly (1 of 2)	66
Fuel System Assembly (2 of 2)	68
Vaporizer Assembly	70
Engine and Generator Assembly	72
Oil Reservoir Assembly	74
Trailer and Skid Assembly	76
Recommended Spare Parts - Engine and Service Kits	78
Recommended Spare Parts - Electrical and Trailer	80

This Page Intentionally Left Blank


Parts Manual Instructions

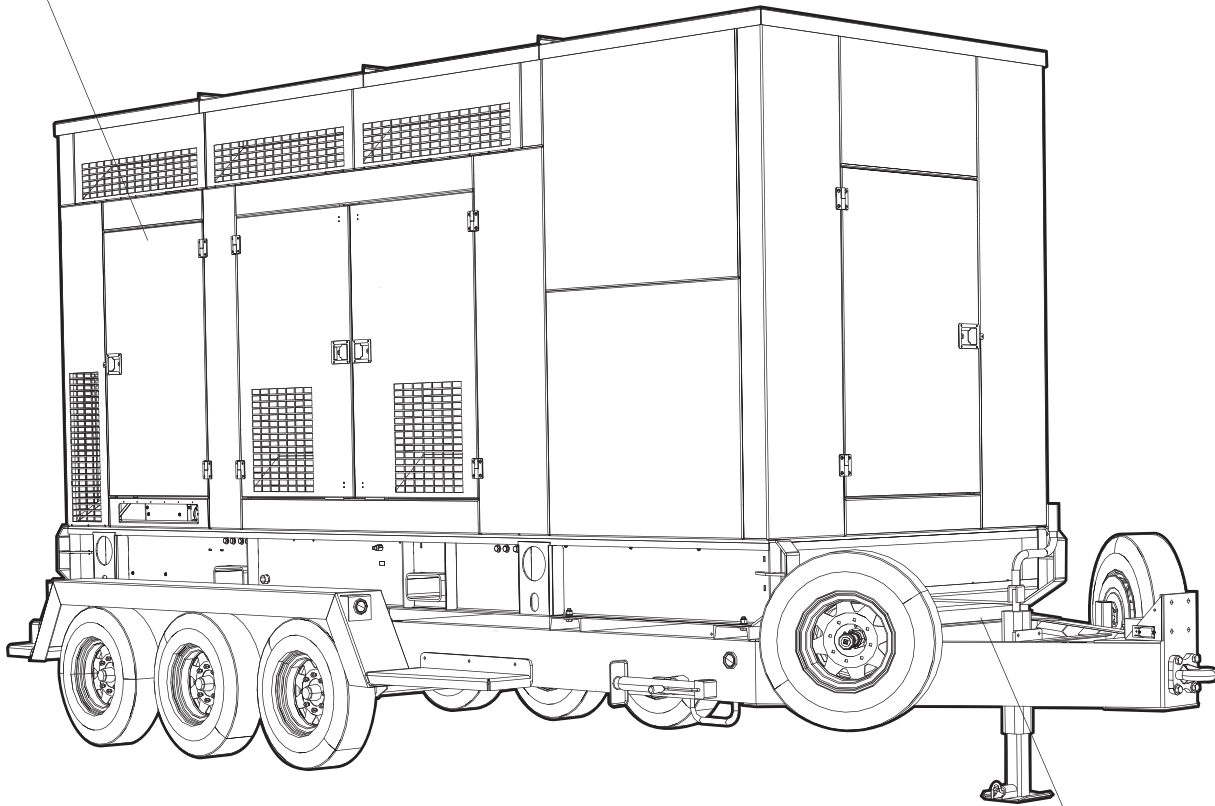
Product illustrations are only representations. Products supplied may vary from the illustrations in this parts manual. Parts not shown in the illustration are indicated by a double dash (--) in the item column.

Please be prepared to provide the following information when ordering replacement parts: model number, serial number (on unit serial tag), part number, purchase order number (if applicable), shipping address, shipping method.

Refer to the illustration below to locate the unit ID tag and Vehicle Identification Number (VIN) tag on the unit. Important information, such as the unit serial number, model number, VIN and tire loading information are found on these tags. Record the information from these tags so it is available if the tags are lost or damaged. When ordering parts or requesting assistance, you may be asked to provide this information.

Unit ID Tag

Manufactured by Generac Mobile Products LLC					
(920) 361-4442			(800) 926-9768		
Country of Origin	Model	Serial Number			
<input type="text"/>	<input type="text"/>	<input type="text"/>			
Manufacturing Code	Weight (lbs/kg)	RPM/Frequency			
<input type="text"/>	<input type="text"/>	<input type="text"/>			
1 ph. 1.0PF		3 ph. .8PF		3 ph. 1.0PF	
KW	<input type="text"/>	<input type="text"/>	<input type="text"/>	Rating	
KVA	<input type="text"/>	<input type="text"/>	<input type="text"/>	<input type="text"/>	
V	<input type="text"/>	<input type="text"/>	<input type="text"/>	Ins. Class	
A	<input type="text"/>	<input type="text"/>	<input type="text"/>	<input type="text"/>	
 FOR ELECTRICAL EQUIPMENT MEET THE REQUIREMENTS OF THE NATIONAL ELECTRICAL CODE FORM: 5FC268					

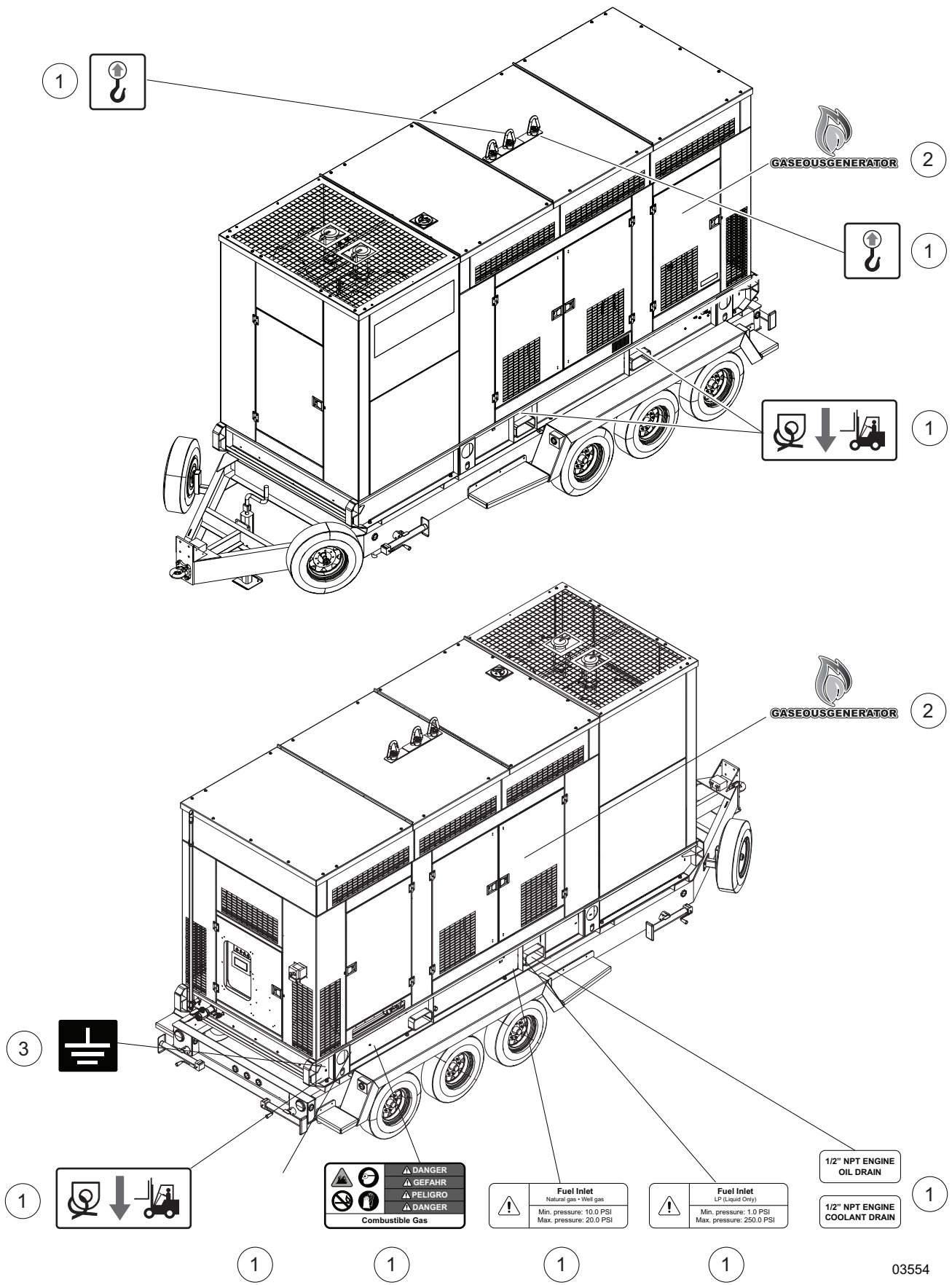


VIN Tag

MANUFACTURED BY/FABRIQUE PAR: Generac Mobile Products LLC				DATE: 000000	
GVWR/PNEU: 000KG (000LBS)				COLD INF. PRESS./ PRESS: 00	
GAWR / PNEU	TIRE / PNEU	RIM / JANTE	GOMF A FRID - KPA(P/S/L/C) SGL / DUAL		
EACH AXLE: <input type="text"/>					
THIS VEHICLE CONFORMS TO ALL APPLICABLE STANDARDS PRESCRIBED UNDER THE U.S. FEDERAL MOTOR VEHICLE SAFETY STANDARDS/REGULATIONS AND CANADIAN MOTOR VEHICLE SAFETY REGULATIONS IN RESPECT TO THE DATE OF MANUFACTURE. CE VEHICULE EST CONFORME A TOUTES LES NORMES QUI SONT APPLICABLES EN VERTU DU REGLEMENT SUR LA SECURITE DES VEHICULES AUTOMOBILES EN CONFORMITE AVEC LES LOIS EN VIGUEUR AU CANADA.					
VIN/N.V.: 000000000000000000				MODEL: XXX000 TYPE: TRAILER	
			TIRE AND LOADING INFORMATION RENSEIGNEMENTS SUR LES PNEUS ET LE CHARGEMENT The weight of cargo should never exceed 0000KG (0000LBS) Le poids du chargement ne doit jamais dépasser 0000KG (0000LBS)		
			SEE OWNER'S MANUAL FOR ADDITIONAL INFORMATION VOIR LE MANUEL DE L'USAGER POUR PLUS DE RENSEIGNEMENTS		

03553

UNIT DECALS - EXTERIOR



03554

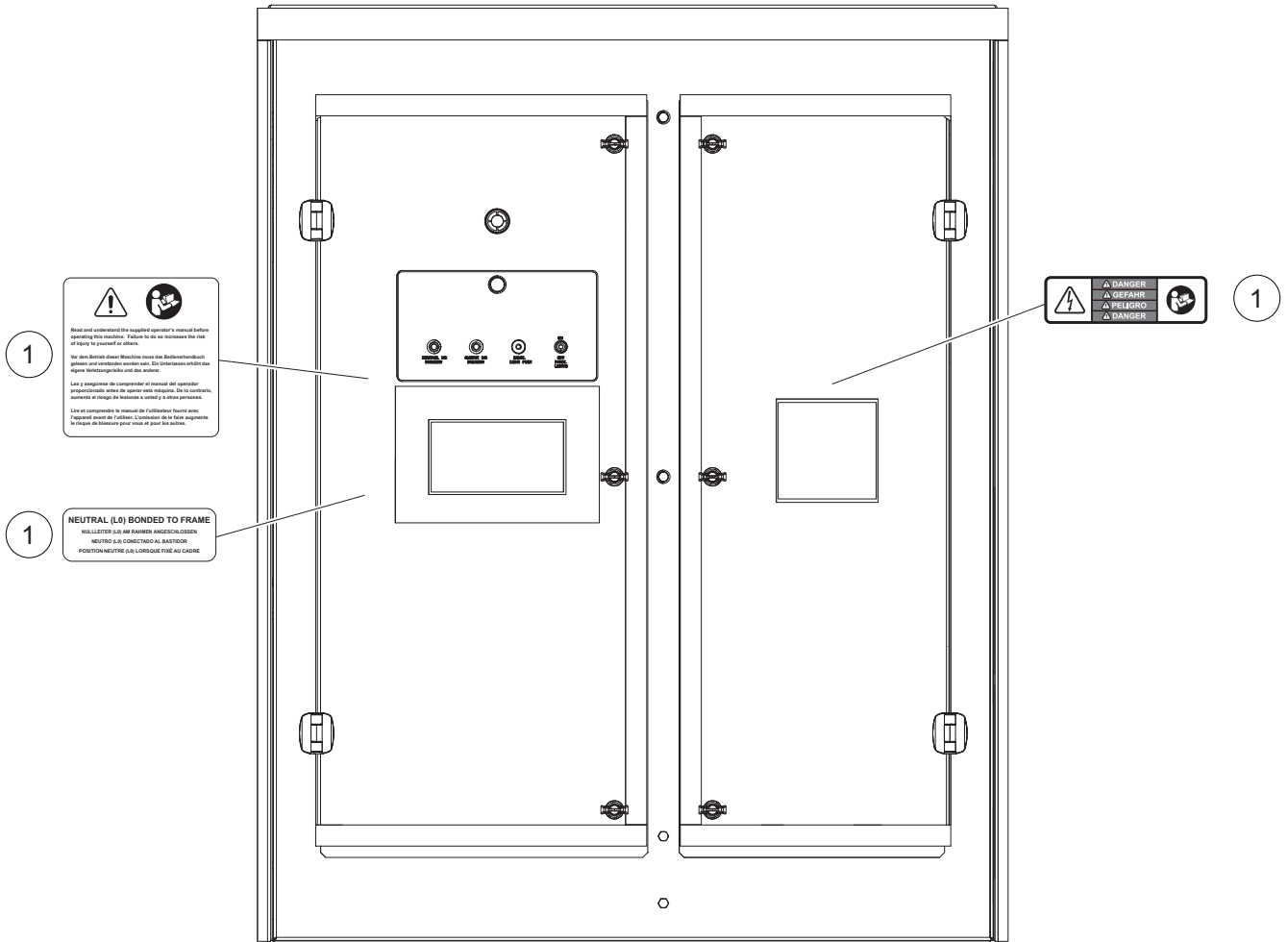
UNIT DECALS - EXTERIOR

Item	Part No.	Qty	Description	Notes
1	38450	1	Decal set, safety	
2	34784	2	Decal, gaseous generator	
3	12142	1	Decal, ground	

UNIT DECALS - INTERIOR

Item	Part No.	Qty	Description	Notes
1	38450	1	Decal set, safety	
2	12142	1	Decal, ground	

UNIT DECALS - CONTROL PANEL



03774

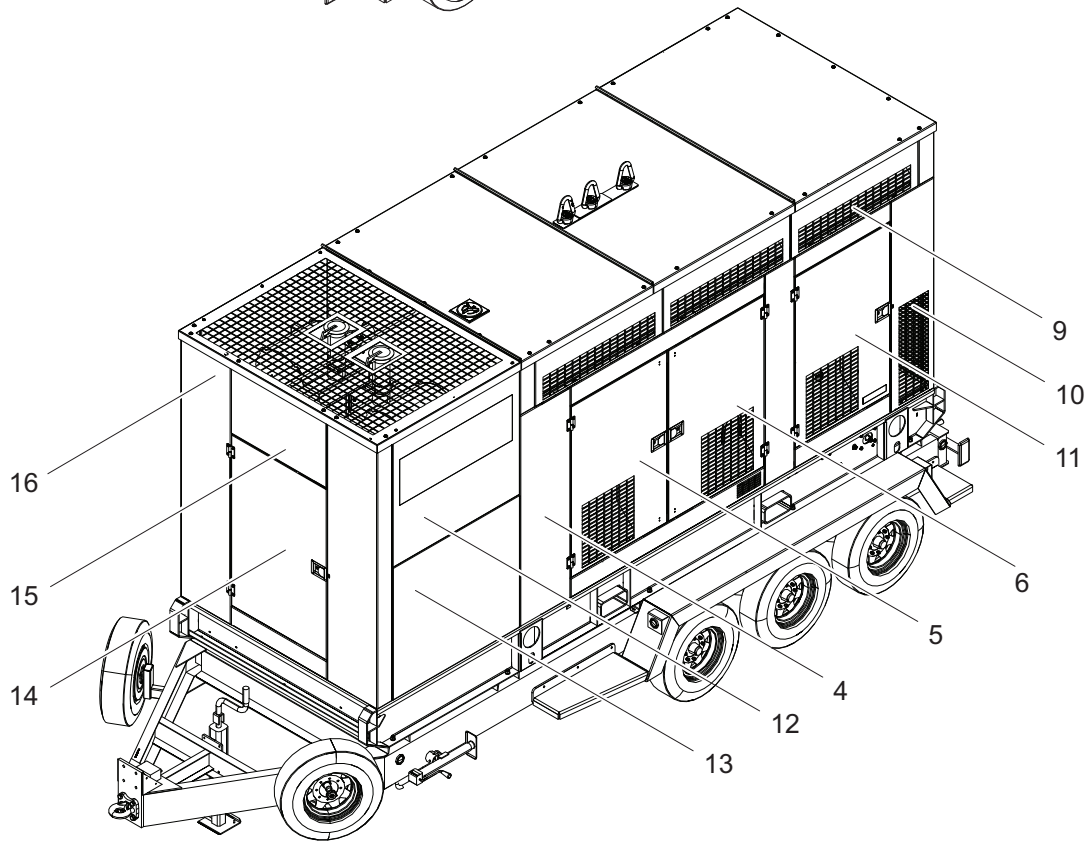
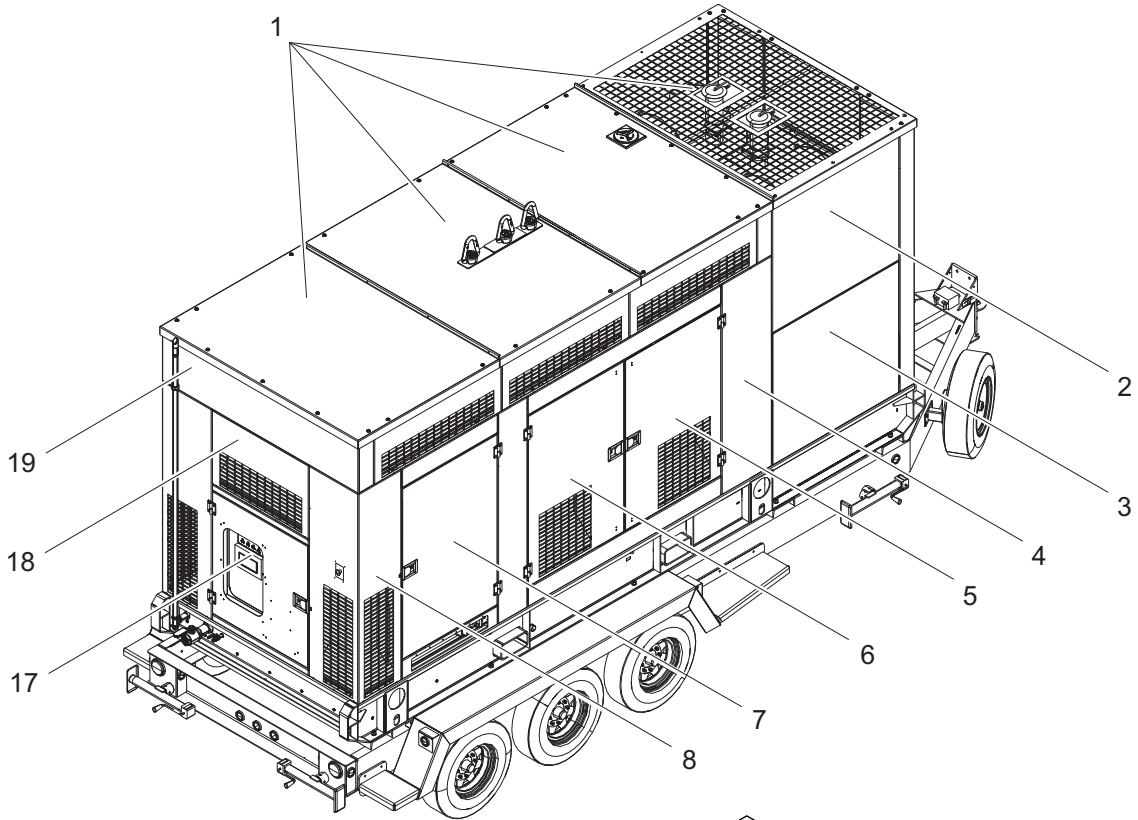
UNIT DECALS - CONTROL PANEL

Item	Part No.	Qty	Description	Notes
1	38450	1	Decal set, safety	

UNIT DECALS - POWER PANEL

Item	Part No.	Qty	Description	Notes
1	38450	1	Decal set, safety	
2	12142	1	Decal, ground	

ENCLOSURE PANELS

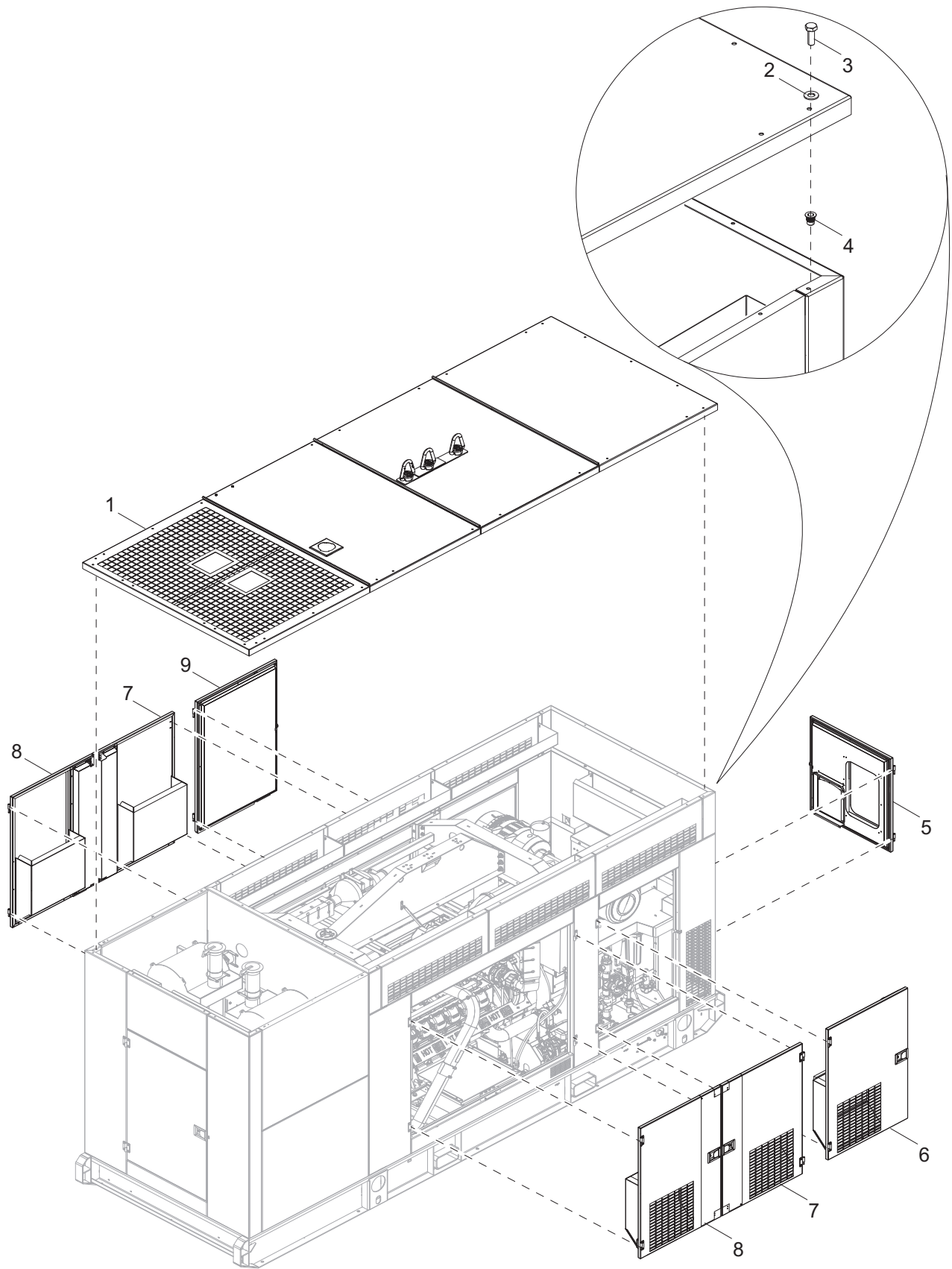


03558

ENCLOSURE PANELS

Item	Part No.	Qty	Description	Notes
1	Page 30	1	Roof Assembly	
2	Page 38	1	Front Riser Panel Assembly	
3	Page 34	1	Enclosure Door Assembly	
4	Page 36	2	Left and Right Panel Assembly	
5	Page 24	1	Right Door Assembly	
6	Page 26	1	Right Center Door Assembly	
7	Page 20	1	Power Panel Door Assembly	
8	Page 40	1	Rear Corner Assembly	
9	Page 20	6	Upper Panel Assembly	
10	Page 20	3	Left Side Door Assembly	
11	Page 38	1	Front Left Panel Assembly	
12	Page 32	1	Front Corner Panel Assembly	
13	Page 32	1	Front Center Panel Assembly	
14	Page 34	1	Front Corner Panel Assembly	
15	Page 28	1	Control Door Assembly	
16	Page 40	1	Rear Upper Panel Assembly	
17	Page 40	1	Rear Corner Assembly	

ROOF AND DOORS TO UNIT

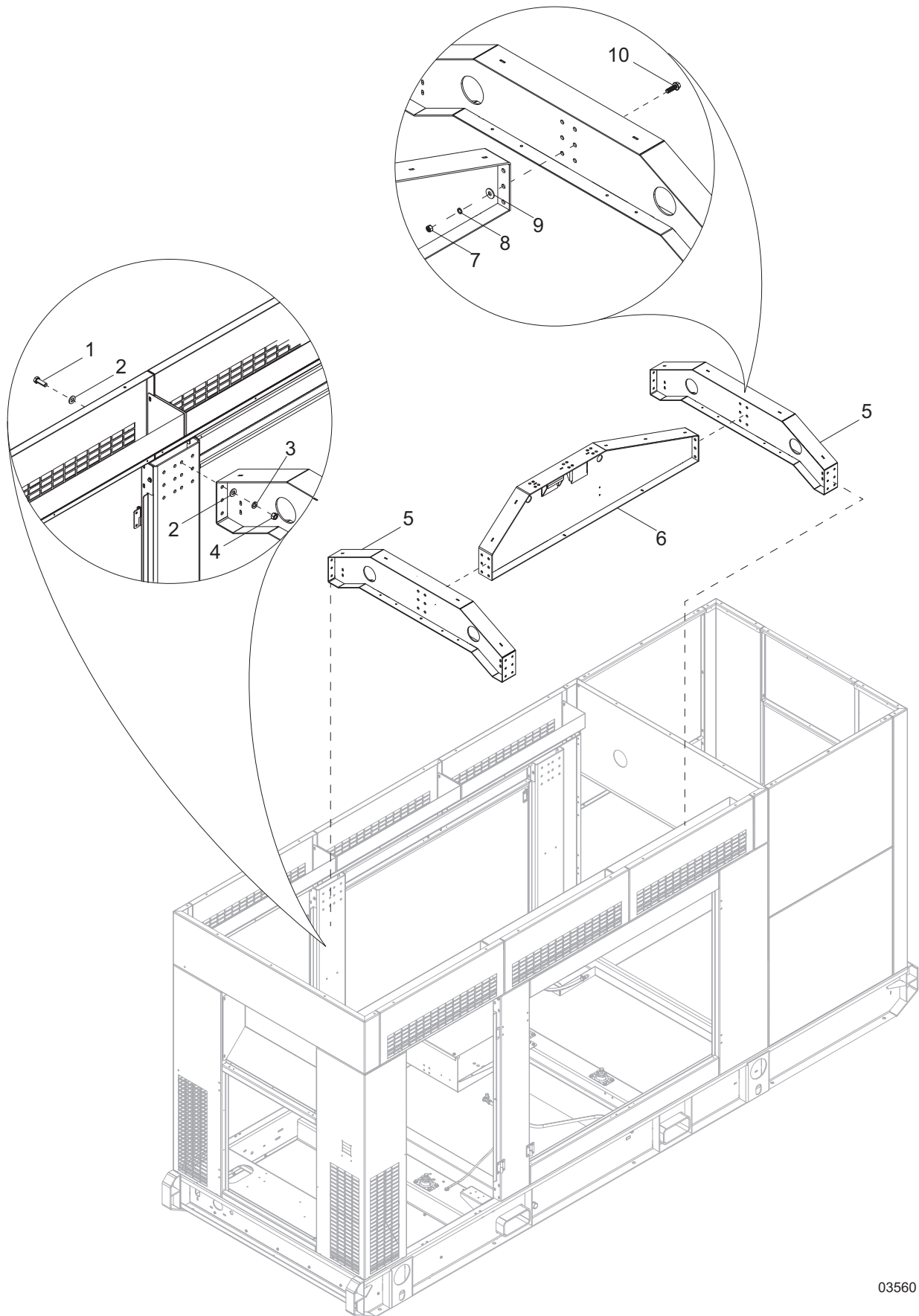


03559

ROOF AND DOORS TO UNIT

Item	Part No.	Qty	Description	Notes
1	Page 12	1	Roof Assembly	
2	G022145	34	Washer, 5/16 flat	
3	G043107	34	Screw, M8-1.25 x 25 hex head cap, G8.8	
4	HW3206A13	34	Nutsert, .250-20 .165-.260	
5	Page 28	1	Assembly, control panel door	
6	Page 20	1	Assembly, door - RH front	
7	Page 24	2	Assembly, double door RH	
8	Page 26	2	Assembly, double door LH	
9	Page 22	1	Assembly, door LH front	

LIFT STRUCTURE ASSEMBLY

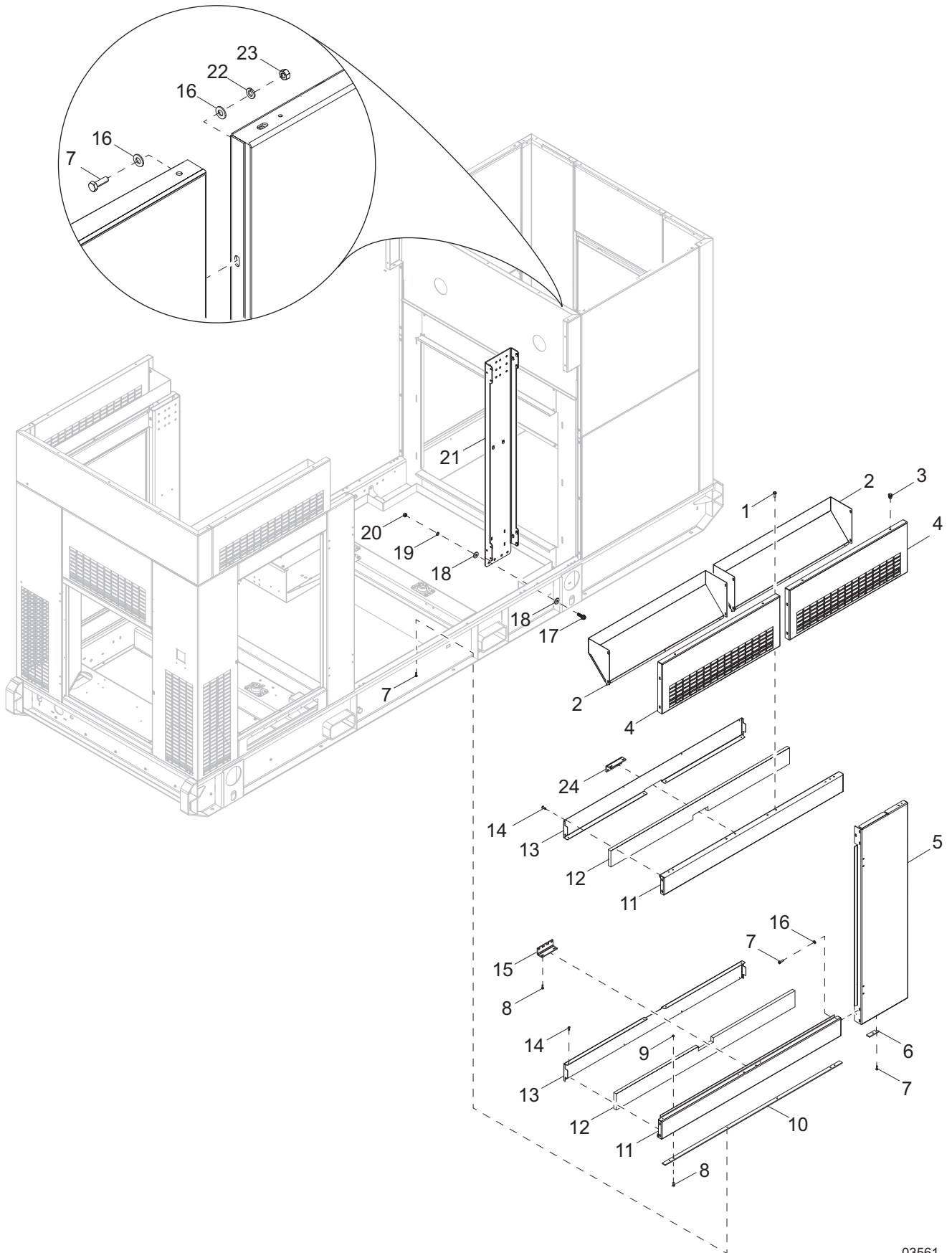


03560

LIFT STRUCTURE ASSEMBLY

Item	Part No.	Qty	Description	Notes
1	0C2074	24	Screw, .500-13 x 1.200 hex head cap, G8	
2	G022304	48	Washer, .500 flat	
3	G022195	24	Washer, .500 split lock	
4	G022196	24	Nut, .500-13 hex,	
5	0L00150ST03	2	Assembly, cross member - front and rear	
6	0L00220ST03	1	Assembly, cross member - center	
7	60520	12	Nut, .625-11 hex, G8	
8	60194	12	Washer, M16 split lock	
9	60521	12	Washer, .625 flat 1.743/.108	
10	61078	12	Screw, 625-11 x 2.00 flange hex, G8	

UPPER AND MIDDLE PANELS TO UNIT - RIGHT SIDE

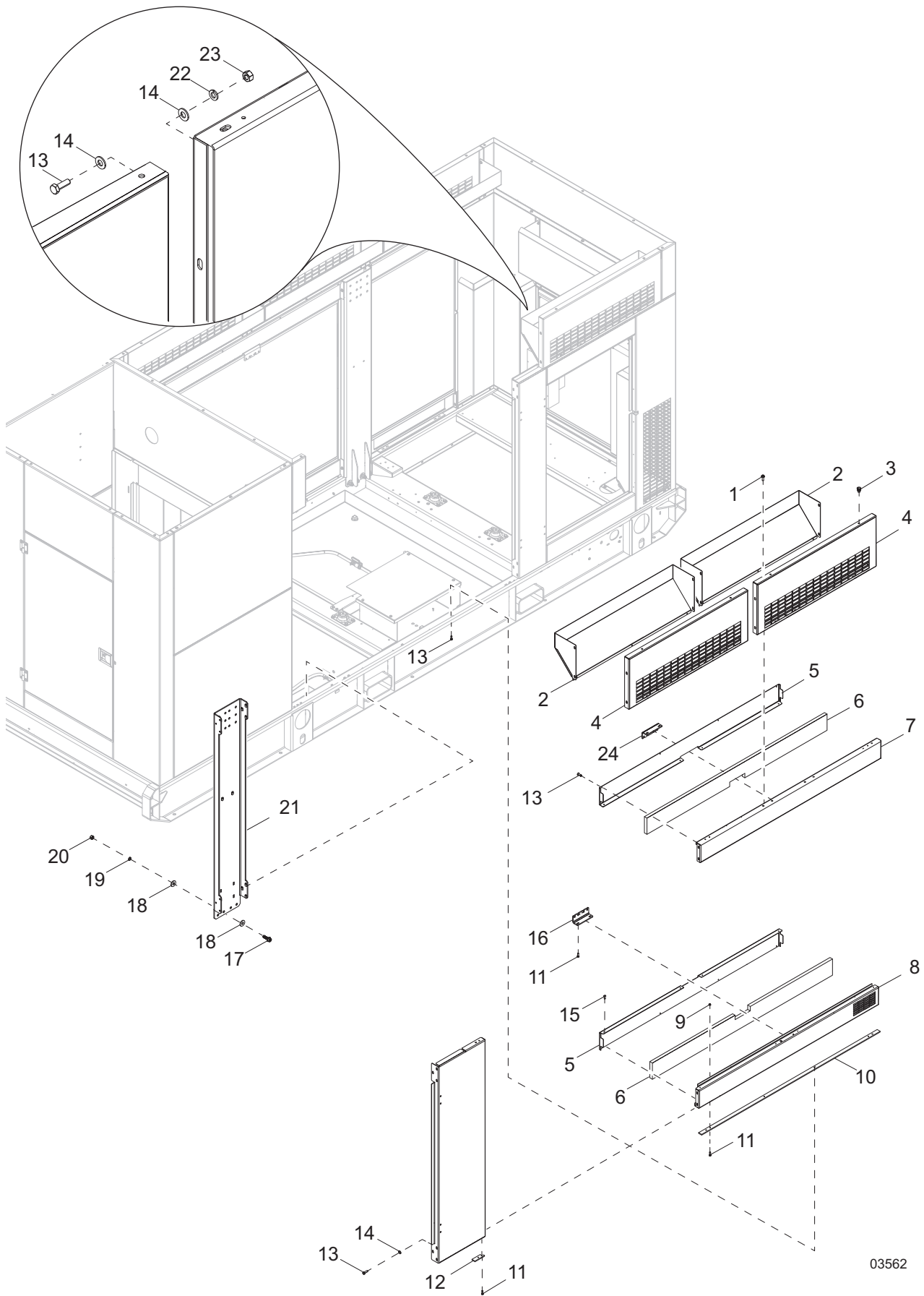


03561

UPPER AND MIDDLE PANELS TO UNIT - RIGHT SIDE

Item	Part No.	Qty	Description	Notes
1	G043107	5	Bushing, .500M x .125 F - brass	
2	0L05230AL05	2	Duct, overhead - side	
3	HW3206A13	4	Nut, weld 5/8-11 hex, grade A	
4	0L05120AL05	2	Panel, side intake	
5	0L05050AL05	2	Support, rear door	
6	0L05900ST03	1	Plate, mounting	
7	G030795	24	Screw, 5/16-18 x 1.00 hex head, G5	
8	0D8962S	8	Stud, M6-1.00 x 15 - SS	
9	G052857	4	Nut, M6-1.0 nylock	
10	0L05890ST03	1	Plate, mounting - double door	
11	0L0504AAL05	2	Assembly, side brace - double door	
12	0H4907DB	2	Foam, barn door side rail	
13	0L14670AL05	2	Liner, side brace - double door	
14	G087233		Rivet, pop .1875 x .450 - SS	
15	0L3592	2	Mounting plate, door striker - top	
16	G022145	48	Washer, 5/16 M8 flat	
17	61078	4	Screw, .625-11 x 2.00 flange hex, G8	
18	60521	8	Washer, .625 flat 1.743/.108	
19	60194	4	Washer, M16 split lock	
20	60520	4	Nut, .625-11 hex, G8	
21	0L00130ST03	1	Upright, lift assembly	
22	G022129	24	Washer, M8-5/16 split lock	
23	G024114	24	Nut, 5/16-24 hex	
24	0L3592	2	Mounting plate, door striker - bottom	
--	0L3592A	2	Locking plate, door striker	w/items 15 and 24
--	G036935	4	Screw, #10-32 x .750 pan head Phillips	w/items 15 and 24

UPPER AND MIDDLE PANELS TO UNIT - LEFT SIDE

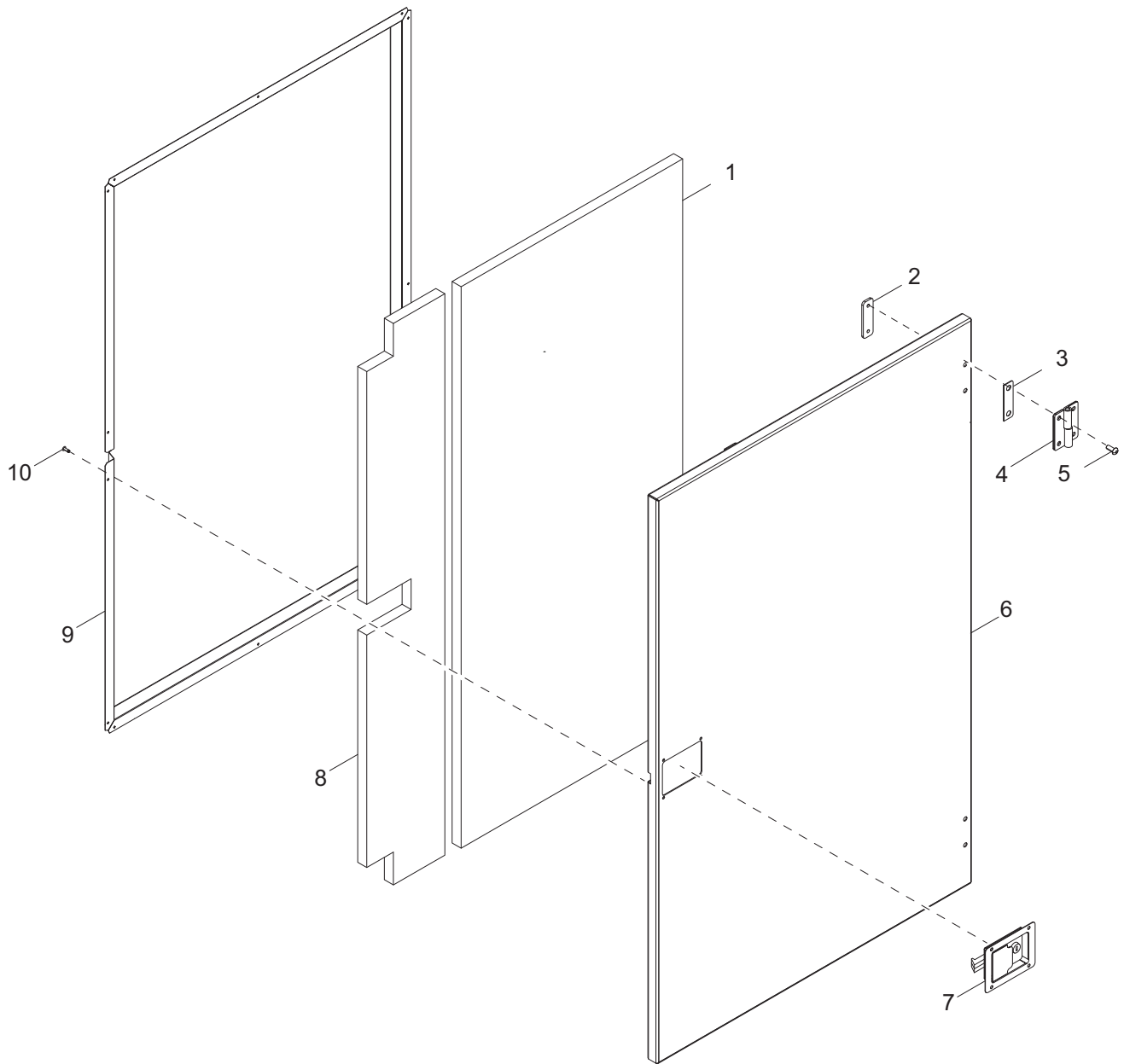


03562

UPPER AND MIDDLE PANELS TO UNIT - LEFT SIDE

Item	Part No.	Qty	Description	Notes
1	G043107	5	Bushing, .500M x .125 F - brass	
2	0L05230AL05	2	Duct, overhead - side	
3	HW3206A13	4	Nut, weld 5/8-11 hex, grade A	
4	0L05120AL05	2	Panel, side intake	
5	0L05050AL05	2	Support, rear door	
6	0H4907DB	2	Foam, barn door side rail	
7	0L14670AL05	1	Liner, side brace - double door	
8	0L42000AL05	1	Panel, Support, door - vented	
9	G052857	4	Nut, M6-1.0 nylock	
10	0L05900ST03	1	Plate, door mounting	
11	0D8962S	16	Stud, M6-1.00 x 15 - SS	
12	0L05890ST03	1	Plate, mounting - double door	
13	G030795	24	Screw, 5/16-18 x 1.00 hex head, G5	
14	G022145	48	Washer, 5/16 M8 flat	
15	G087233		Rivet, pop .1875 x .450 - SS	
16	0L3592S	2	Bracket, door striker	
17	61078	4	Screw, .625-11 x 2.00 flange hex, G8	
18	60521	8	Washer, .625 flat 1.743/.108	
19	60194	4	Washer, M16 split lock	
20	60520	4	Nut, .625-11 hex, G8	
21	0L00130ST03	1	Upright, lift assembly	
22	G022129	24	Washer, M8-5/16 split lock	
23	G024114	24	Nut, 5/16-24 hex	
24	0L3592	2	Mounting plate, door striker - bottom	
--	0L3592A	2	Locking plate, door striker	w/items 15 and 24
--	G036935	4	Screw, #10-32 x .750 pan head Phillips	w/items 15 and 24

DOOR ASSEMBLY - RIGHT SIDE FRONT

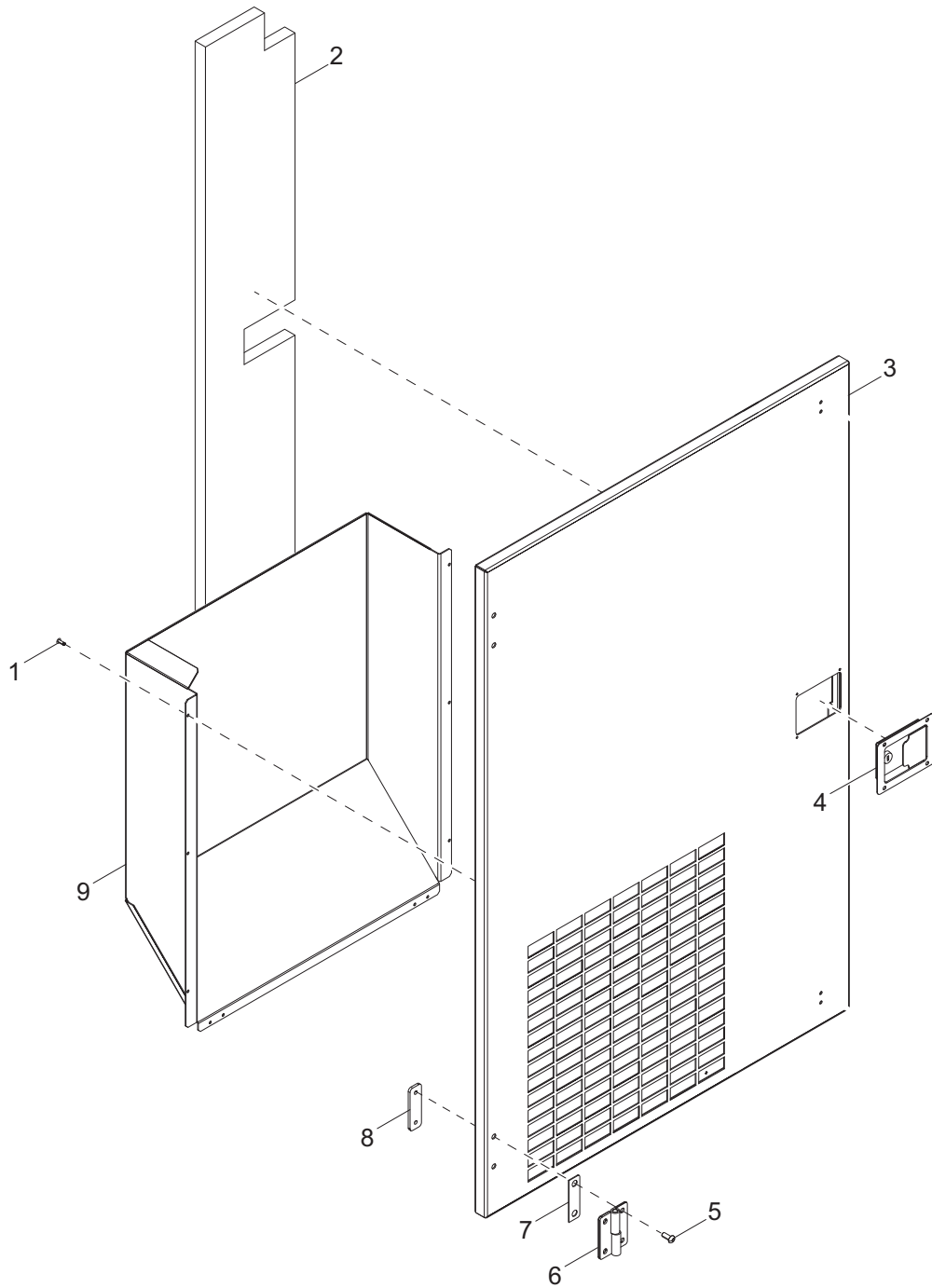


03563

DOOR ASSEMBLY, RIGHT SIDE FRONT

Item	Part No.	Qty	Description	Notes
1	0H4907DH	1	Foam, door	
2	0L06040ST03	2	Plate, mounting - door hinge	
3	0C2655	2	Gasket, M8 hinge	
4	0C3595A	2	Assembly, hinge RH	
5	0A5991	4	Screw, M8-1.25 x 20 pan head Phillips	
6	0L05800AL05	1	Panel, door	
7	HB2402A29	1	Latch	
8	0H4907DG	1	Foam, door	
9	0L14800AL05	1	Liner, door	
10	G087233	14	Rivet, pop .1875 x .450 - SS	

DOOR ASSEMBLY - LEFT SIDE FRONT

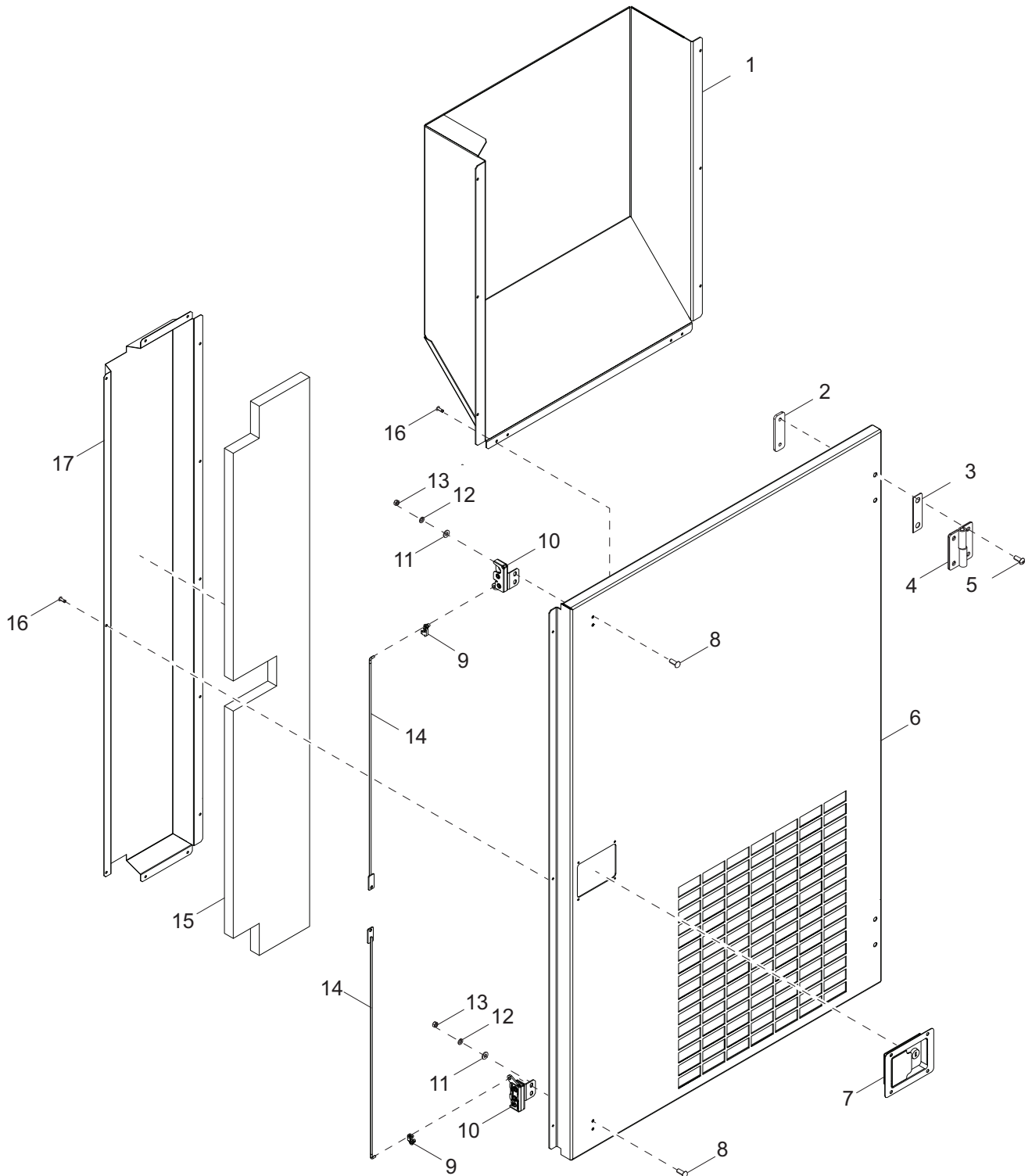


03564

DOOR ASSEMBLY - LEFT SIDE FRONT

Item	Part No.	Qty	Description	Notes
1	G087233	26	Rivet, pop .1875 x .450 - SS	
2	0H4907DG	1	Foam, door	
3	0L05810AL05	1	Assembly, door - louvered	
4	HB2402A29	1	Latch	
5	0A5991	4	Screw, M8-1.25 x 20 pan head Phillips	
6	0C3595B	2	Assembly, hinge LH	
7	0C2655	2	Gasket, M8 hinge	
8	0L06040ST03	2	Plate, mounting - door hinge	
9	0L05240AL05	1	Baffle, door	

DOUBLE DOOR ASSEMBLY - RIGHT

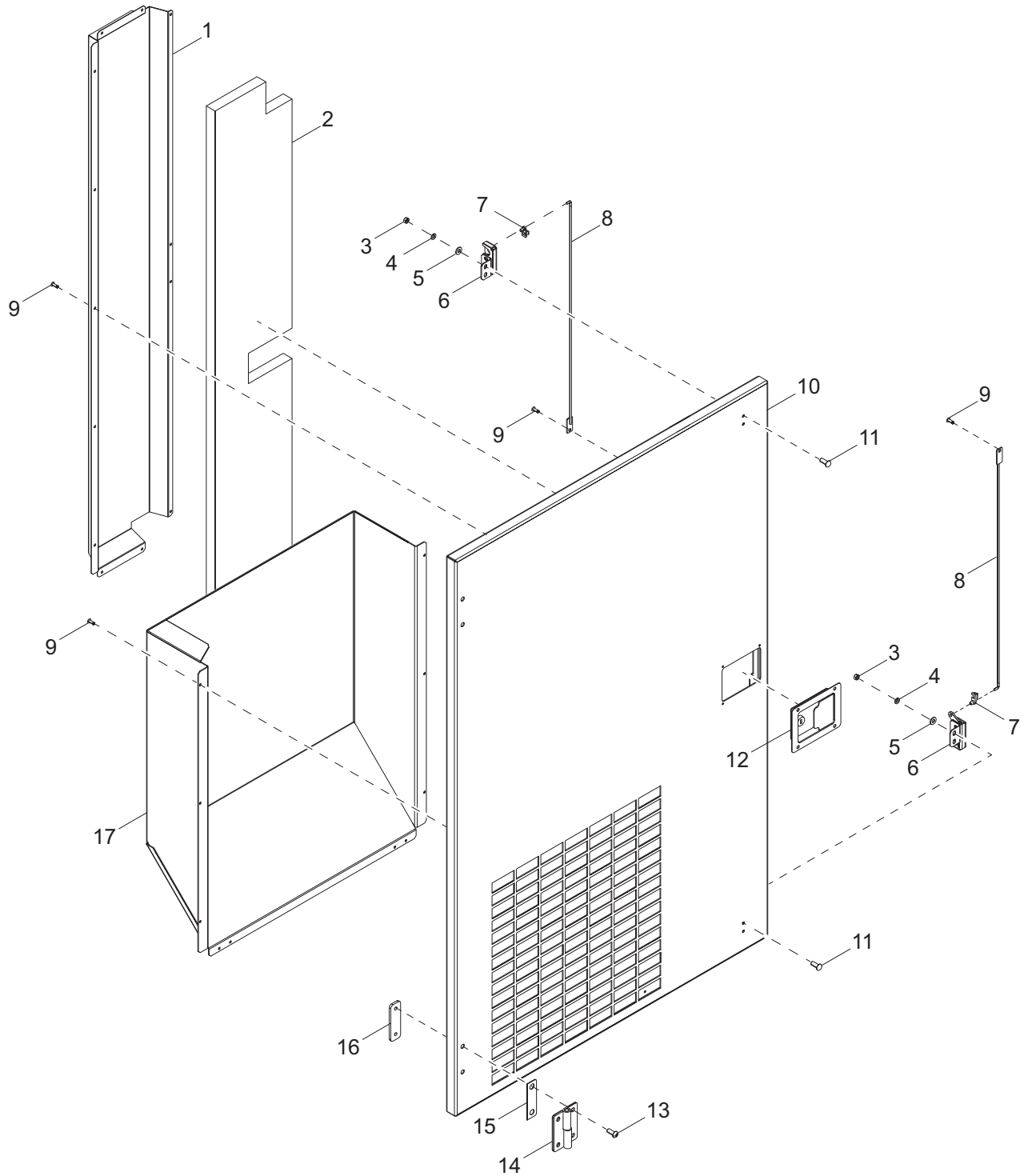


03566

DOUBLE DOOR ASSEMBLY - RIGHT

Item	Part No.	Qty	Description	Notes
1	0L05250AL05	1	Baffle, door	
2	0L06040ST03	2	Plate, mounting - door hinge	
3	0C2655	2	Gasket, M8 hinge	
4	0C3595B	2	Assembly, hinge LH bottom	
5	0A5991	4	Screw, M8-1.25 x 20 pan head Phillips	
6	0L05830AL05	1	Door, louvered - RH	
7	0L1530	1	Handle, door - paddle with lock	
8	0D8962S	4	Stud, M6-1.00 x 15 - SS	
9	0L1726	2	Clip, door connecting rod	
10	0L1530	2	Assembly, latch	
11	G022473	4	Washer, .250 flat	
12	G022097	4	Washer, .250 split lock	
13	G049813	4	Nut, M8-1.00 hex, G8.0	
14	0L1664	2	Rod, door latch connecting	
15	0H4907DG	1	Foam, door	
16	G087233	26	Rivet, pop .1875 x .450 - SS	
17	0L14650AL05	1	Liner, door - louvered	

DOUBLE DOOR ASSEMBLY - LEFT

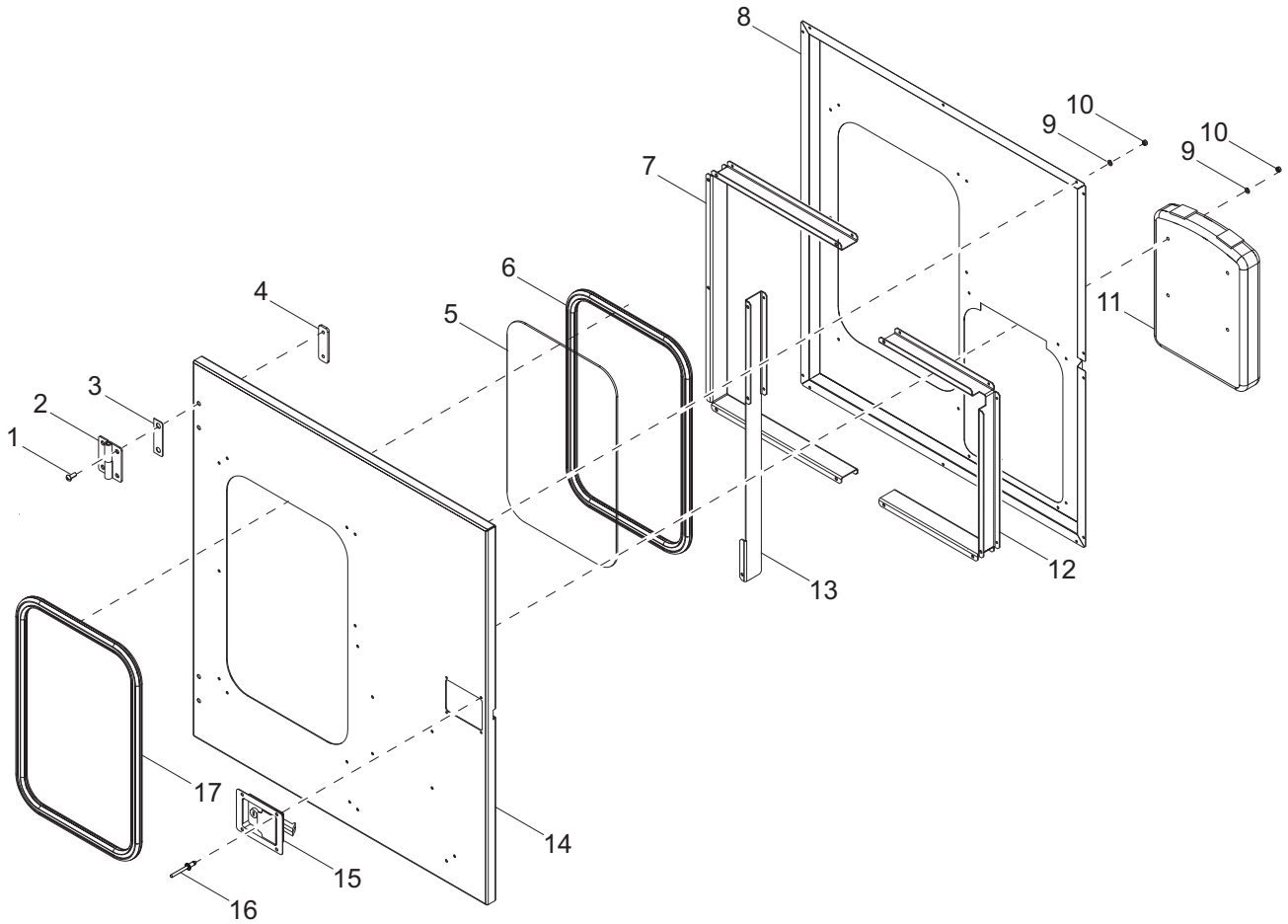


03567

DOUBLE DOOR ASSEMBLY - LEFT

Item	Part No.	Qty	Description	Notes
1	0L14650AL05	1	Liner, door louvered	
2	0H4907DG	1	Foam, door	
3	G049813	4	Nut, M6-1.0 hex, G8	
4	G022097	4	Washer, .250 split lock	
5	G022473	4	Washer, .250 flat	
6	0L1529	2	Lock, rotary	
7	0L1726	2	Clip, door connecting rod	
8	0L1664	2	Rod, door latch connecting	
9	G087233	26	Rivet, pop .1875 x .450 - SS	
10	0L05820AL05	1	Panel, louvered door - LH	
11	0D8962S	4	Stud, M6-1.00 x 15 - SS	
12	0L1530	1	Assembly, latch	
13	0A5991	4	Screw, M8-1.25 x 25 button head slotted	
14	0C3595B	2	Assembly, hinge LH bottom	
15	0C2655	2	Gasket, M8 hinge	
16	0L06040ST03	2	Plate, door hinge mounting	
17	0L05250AL05	1	Baffle, door	

CONTROL DOOR ASSEMBLY

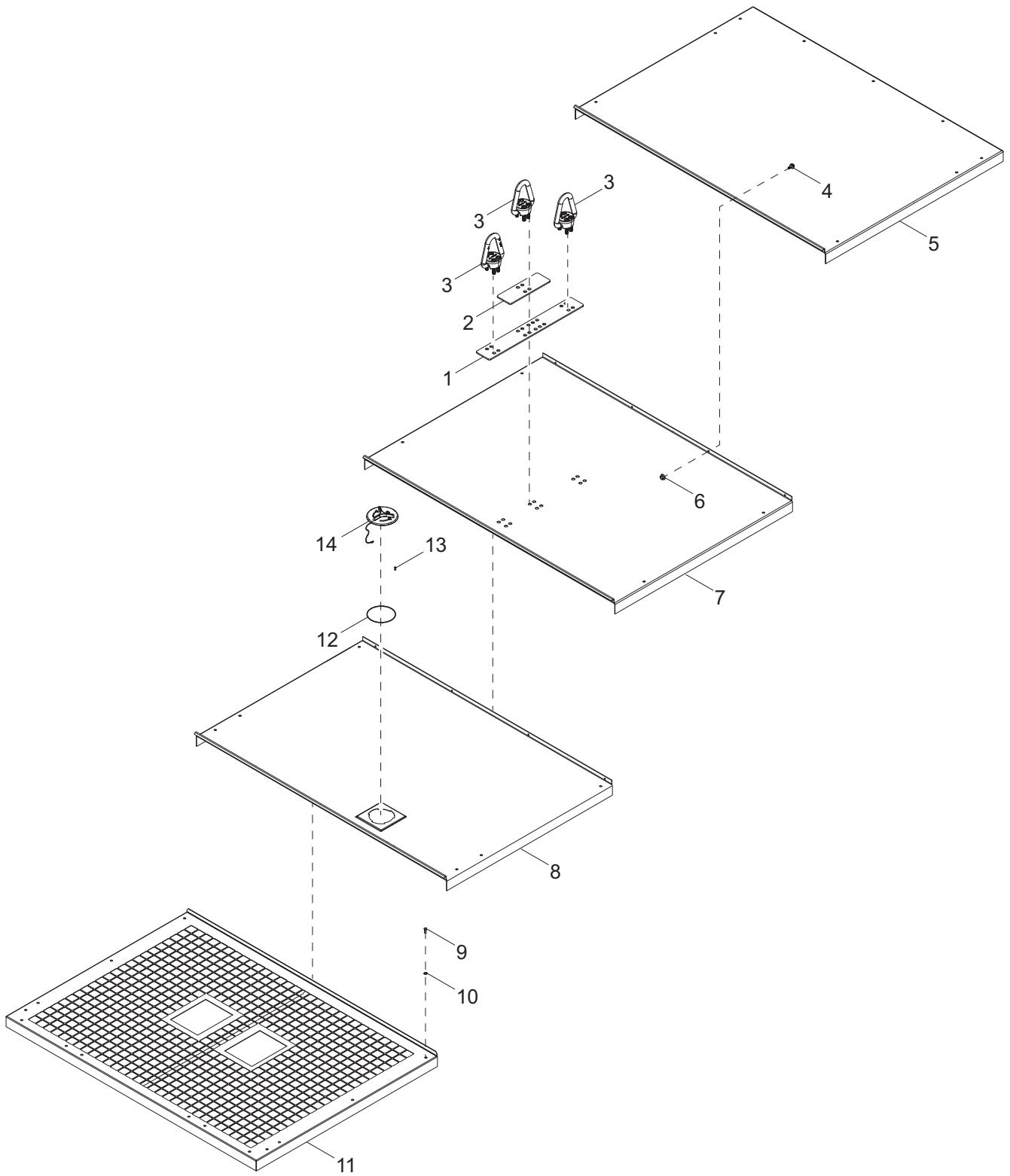


03568

CONTROL DOOR ASSEMBLY

Item	Part No.	Qty	Description	Notes
1	0A5991	4	Screw, M8-1.25 x 20 button head, SS	
2	0C3595B	2	Hinge, M8	
3	0C2655	2	Gasket, M8 hinge	
4	0L06040ST03	2	Plate, hinge mounting	
5	AP0001A01	1	Window, 22.0 x 14.0	
6	MK1019A02	2	Gasket, locking	
7	0L20160AL05	1	Brace, rear door window	
8	0L14720AL05	1	Liner, front panel - center	
9	G022097	18	Washer, m6-.250 split lock	
10	G049813	18	Nut, M6-1.0 hex, G8	
11	HB6058A16	1	Holder, manual	
12	0L2016AAL05	1	Brace, rear door window - center	
13	0L20170AL05	1	Brace, rear door manual	
14	0L07430AL05	1	Assembly, rear door	
15	HW7101A12	4	Rivet, .188 x .250 to .500 grip	
16	HB2402A29	1	Handle, recess - lock, keyed	
17	MK1019A03	1	Gasket, locking 1.05 x .25 x .06	

ROOF ASSEMBLY

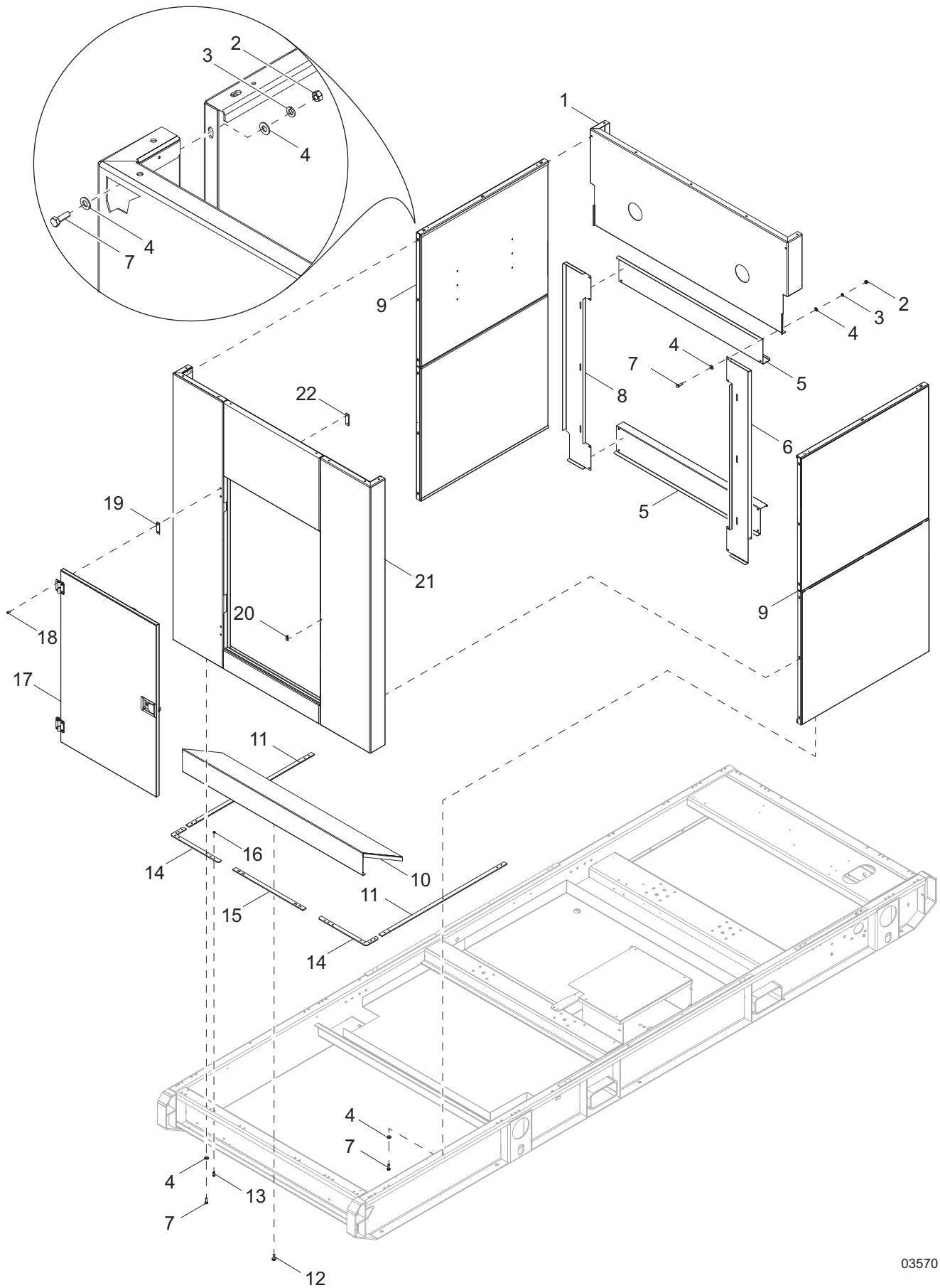


03569

ROOF ASSEMBLY

Item	Part No.	Qty	Description	Notes
1	0L11790ST03	1	Plate, mounting - single point	
2	0L21890ST03	1	Cover, lift - single point	
3	0L0591	3	Hoist, lift	
4	0C2454	12	Screw, M6-1.00 x 16 hex	
5	0L05260AL05	1	Weldment, roof - rear	
6	G052857	12	Nut, M6 -1.00 nylock	
7	0L05270AL05	1	Weldment, roof - center	
8	0L05280AL05	1	Weldment, roof - front	
9	G043107	36	Screw, .500M x .125 F - brass	
10	G022145	36	Washer, 5/16-M8 flat	
11	0L05290AI05	1	Duct, top - front	
12	0F1563	1	O-ring, 5.737 x 5.943	
13	0C3935	1	Stud, .250-20 x 8.25 - flanged aluminum	
14	0C2634	1	Assembly, access cover	

FRONT ENCLOSURE ASSEMBLY

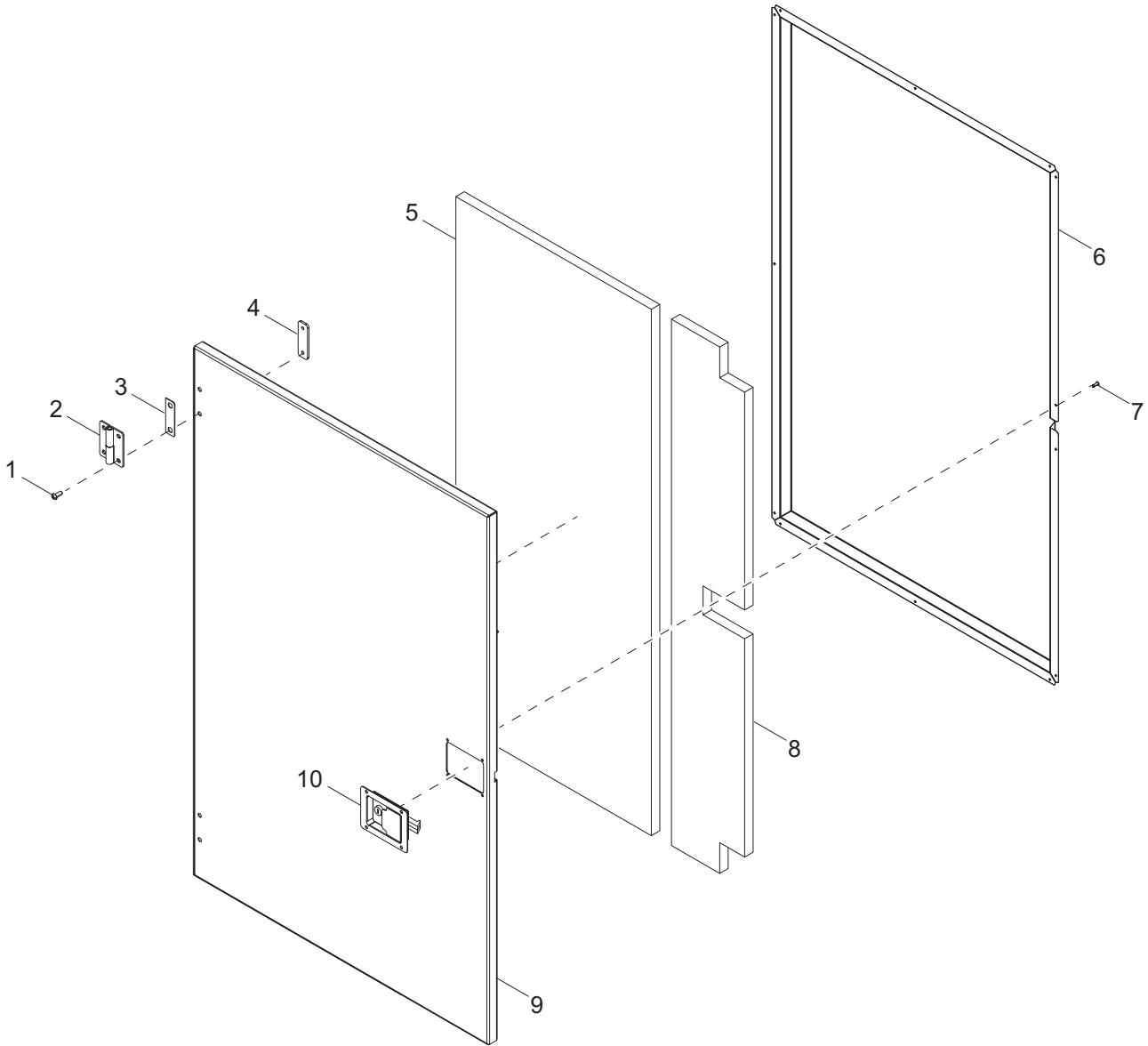


03570

FRONT ENCLOSURE ASSEMBLY

Item	Part No.	Qty	Description	Notes
1	OL05130AL05	1	Panel, overhead front	
2	G024114	24	Nut, 5/16-24 hex	
3	G022129	8	Washer, M8-5/16 split lock	
4	G022145	80	Washer, M8-5/16 flat	
5	OL05320AL05	2	Panel, radiator block off	
6	OL05300AL05	1	Panel, radiator block off - LH	
7	OL05310AL05	1	Panel, radiator block off - RH	
8	G022147	40	Screw, 5/16 - M8 hex	
9	Page 36	2	Assembly, front enclosure side panels	
10	OL11770AL05	1	Duct, exhaust front - bottom	
11	OL20780ST03	2	Plate, mounting exhaust duct - side	
12	OC2454	8	Screw, M6-1.00 x 16 hex	
13	OD8962	4	Stud, M6-1.00 x 15 - steel	
14	OL05850ST03	2	Plate, mounting, corner - front	
15	OL05880ST03	1	Plate, mounting, single door	
16	G052857	8	Nut, M6-1.00 nylock	
17	Page 34	1	Assembly, front door	
18	OA5991	4	Screw, M8-1.25 x 20 button head - slotted - SS	
19	OC2655	2	Gasket, M8 hinge	
20	OL1982	1	Door stop	
21	Page 38	1	Assembly, front panel	
22	OL06040ST03	2	Plate, mounting - door hinge	

FRONT DOOR ASSEMBLY

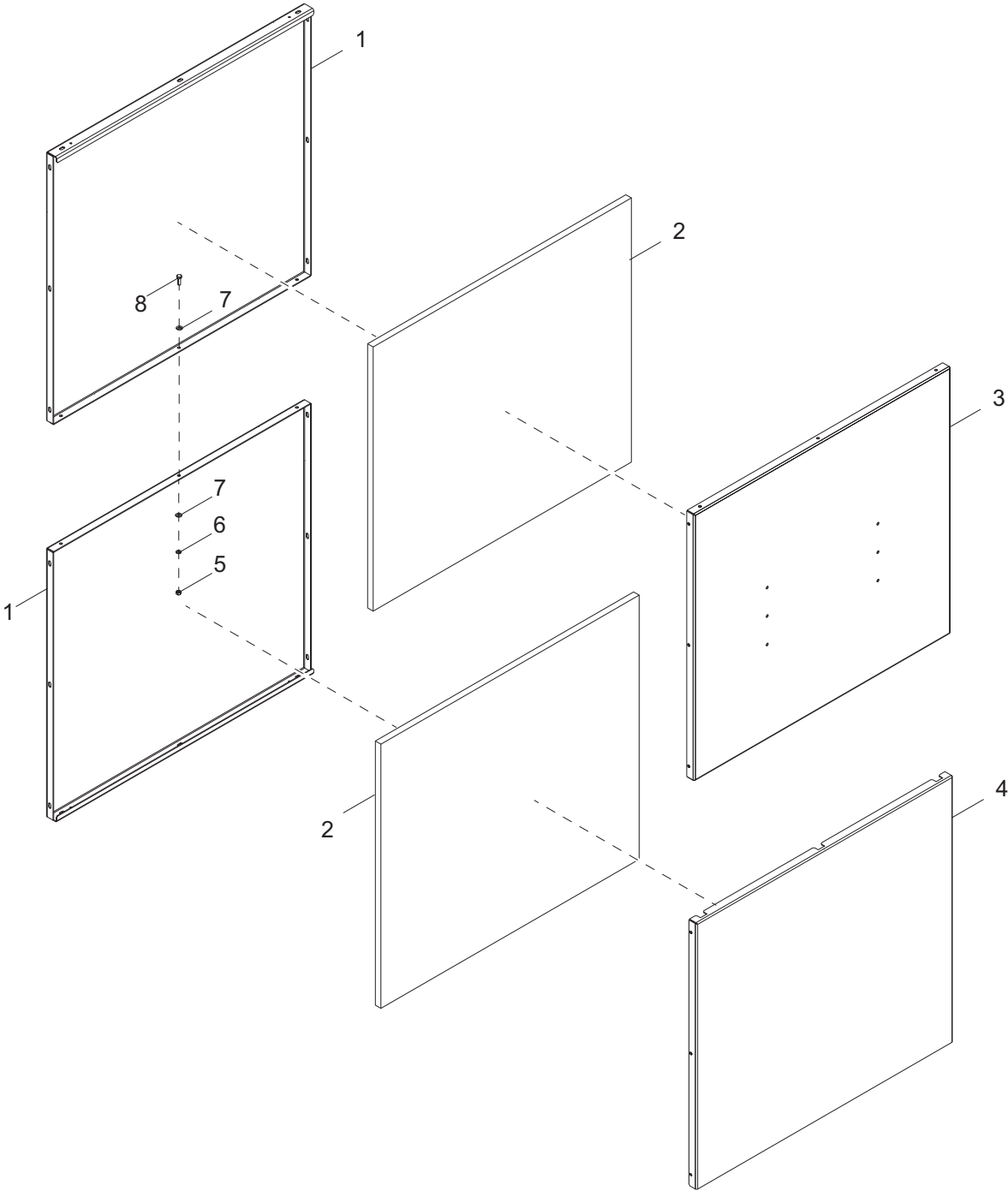


03571

FRONT DOOR ASSEMBLY

Item	Part No.	Qty	Description	Notes
1	0A5991	4	Screw, M8-1.25 x 20 button head slotted - SS	
2	0C3595	2	Assembly, hinge - M8	
3	0C2655	2	Gasket, hinge - M8	
4	0L06040ST03	2	Plate, bolt	
5	0H4907DH	1	Foam, front door - right	
6	0L14800AL05	1	Panel, door - inside	
7	G087233	12	Rivet, .1875 x .450 pop - SS	
8	0H4907DG	1	Foam, front door - left	
9	0L05800AL05	1	Panel, front door	
10	HB2402A29	1	Latch, recess, lock - SS	

FRONT ENCLOSURE SIDE PANELS ASSEMBLY

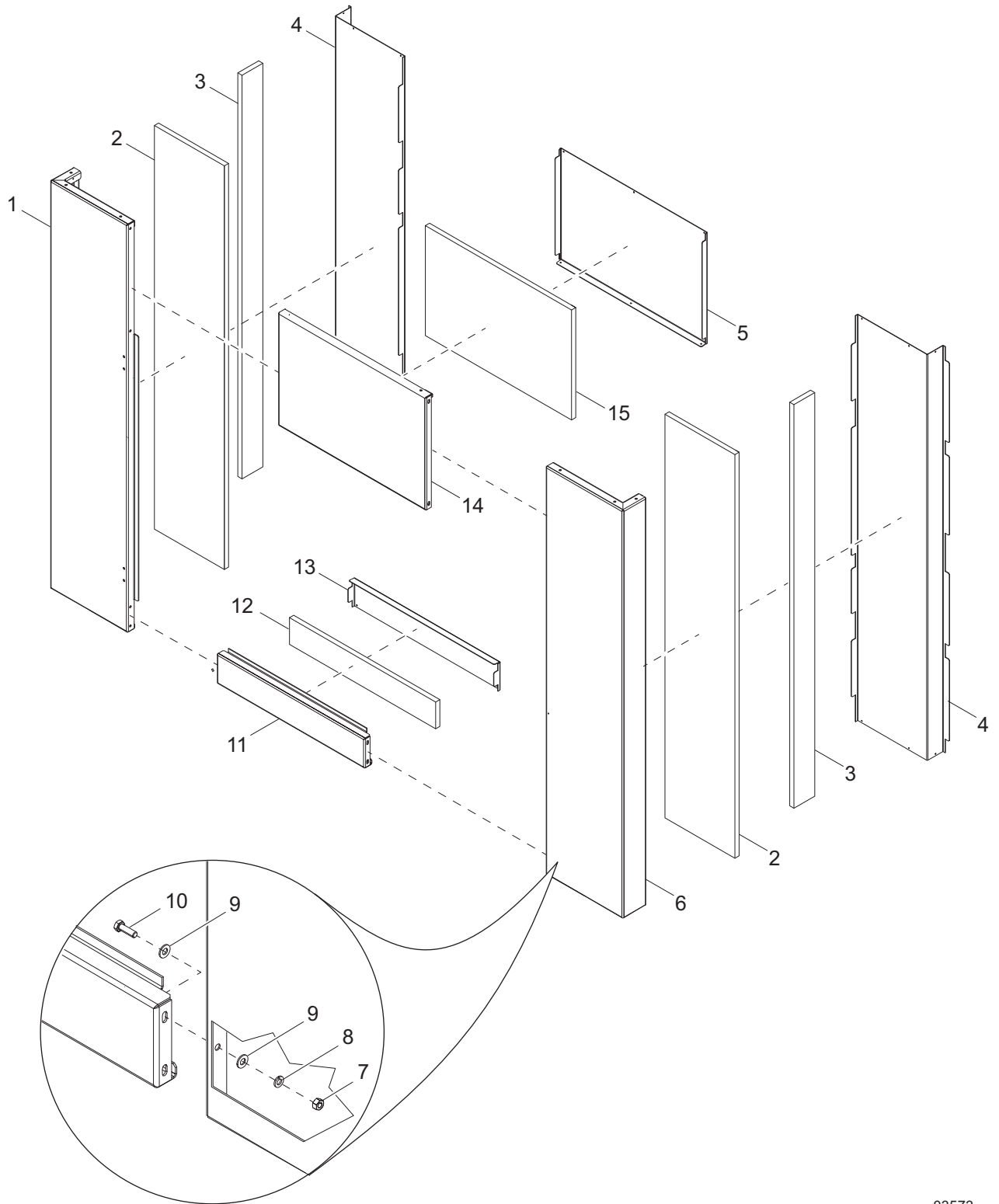


03572

FRONT ENCLOSURE SIDE PANELS ASSEMBLY

Item	Part No.	Qty	Description	Notes
1	0L05100AL05	2	Panel, front side - right/left	
2	0H4907DC	2	Foam, front side panel	
3	0L0496AST05	1	Liner, side panel - top	
4	0L0496AST05	1	Liner, side panel - bottom	
5	G024114	24	Nut, 5/16-24 hex	
6	G022129	6	Washer, M8-5/16 split lock	
7	G022145	12	Washer, M8-5/16 flat	
8	G022147	6	Screw, M8-5/16 hex	

FRONT PANEL ASSEMBLY

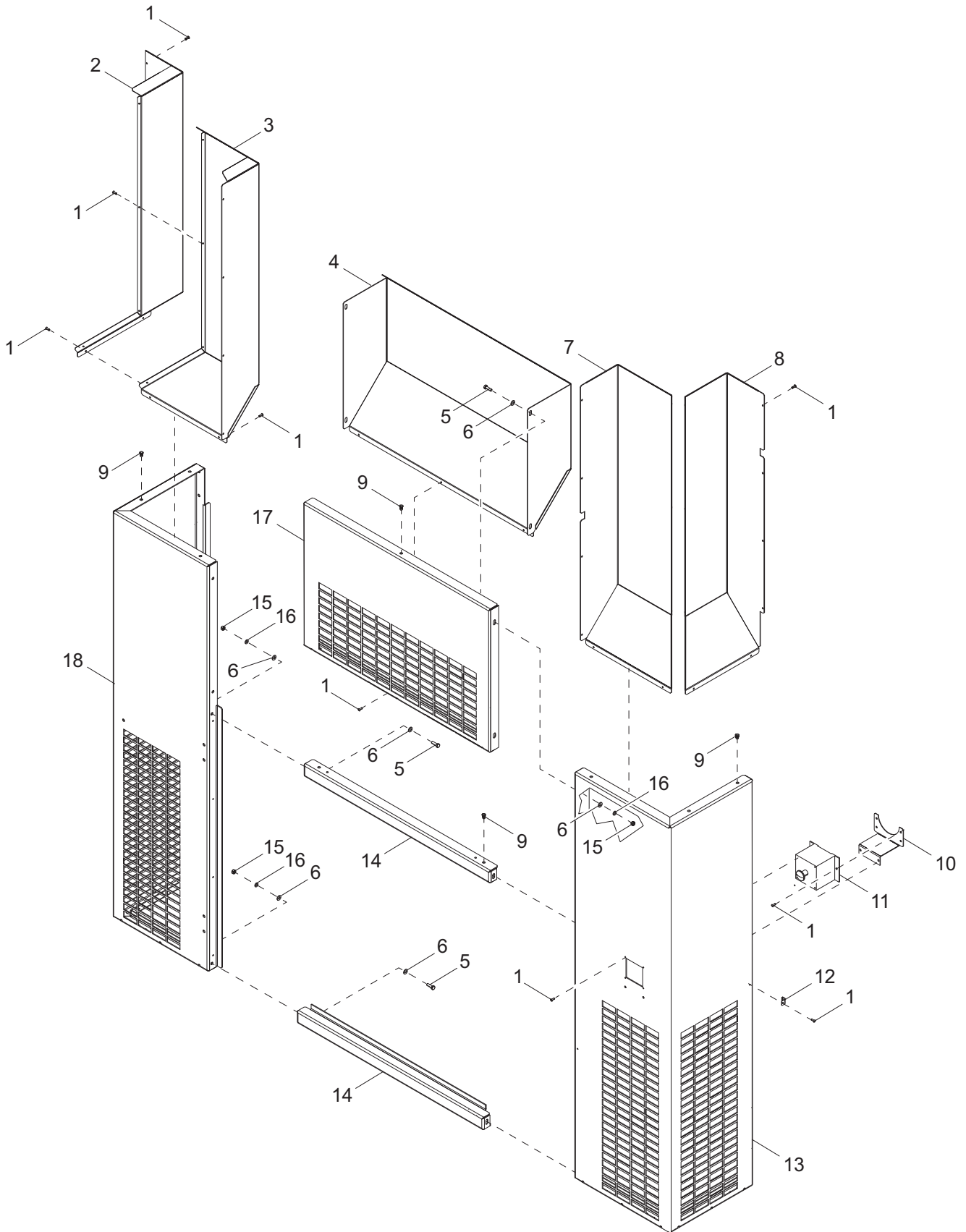


03573

FRONT PANEL ASSEMBLY

Item	Part No.	Qty	Description	Notes
1	0L05070AL05	1	Panel, front corner - LH	
2	0H4907DE	2	Foam, corner front	
3	0H4907DD	2	Foam, corner side	
4	0H4907DD	2	Panel, inside front corner - right	
5	0L14760AL05	1	Panel, inside top - rear	
6	0L05080AL05	1	Panel, front corner - left	
7	G024114	24	Nut, 5/16-24 hex	
8	G022129	8	Washer, 5/16 split lock	
9	G022145	16	Washer, 5/16-M8 flat	
10	G022147	8	Screw, 5/16 - M8 hex	
11	0L05030AL05	1	Panel, bottom front	
12	0H4907DA	1	Foam, bottom front	
13	0L14710AL05	1	Panel, bottom front - inside	
14	0L05090AL05	1	Liner, single door - side brace	
15	0H4907DF	1	Foam, top front	

REAR CORNER AND UPPER PANEL ASSEMBLY

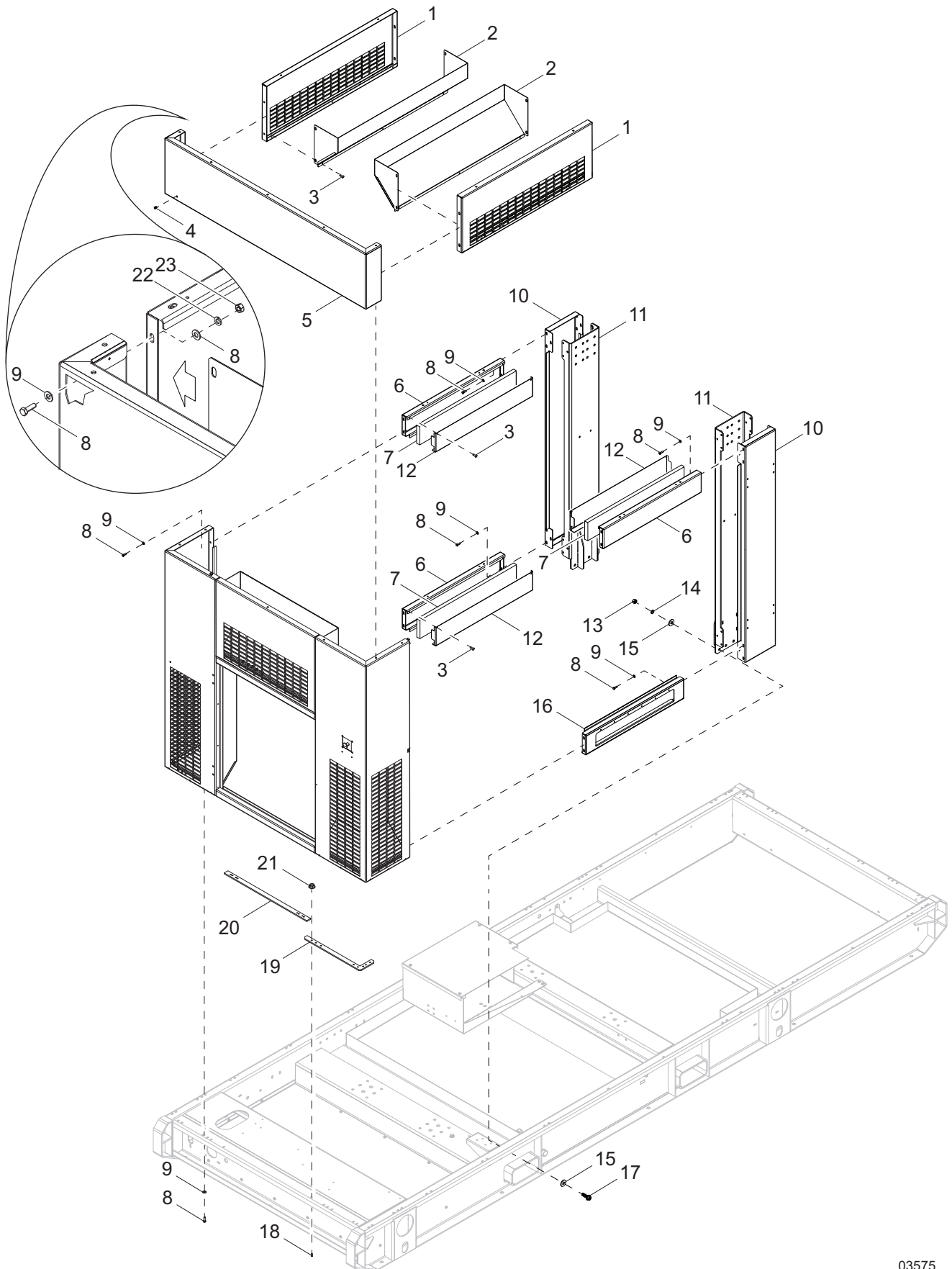


03574

REAR CORNER AND UPPER PANEL ASSEMBLY

Item	Part No.	Qty	Description	Notes
1	G087233	48	Rivet, pop .1875 x .450 - SS	
2	0L05150AL05	1	Baffle, corner - LH	
3	0L05190AL05	1	Baffle, corner - LH	
4	0L05220AL05	1	Baffle, center - rear	
5	G022147	8	Screw, 5/16 - M8 hex	
6	G022145	16	Washer, M8-.625 flat	
7	0L05210AL05	1	Baffle, corner - RH	
8	0L05200AL05	1	Baffle, corner - RH	
9	HW3206A13	7	Nut, insert .250-20 .165-.260	
10	HB6037A10L2B	1	Bracket, E-stop	
11	GZ061129F	1	Switch, E-stop flush mount	
12	0L1982	1	Plate, door latch striker - SS	
13	0L04990AL05	1	Panel, corner post - RH rear	
14	0L12030AL05	2	Cross brace, rear	
15	G024114	8	Nut, M8-5/16 hex	
16	G022129	8	Washer, 5/26 split lock	
17	0L05000AL05	1	Panel, top rear	
18	0L04980AL05	1	Panel, corner, left rear	

REAR CORNER ASSEMBLY

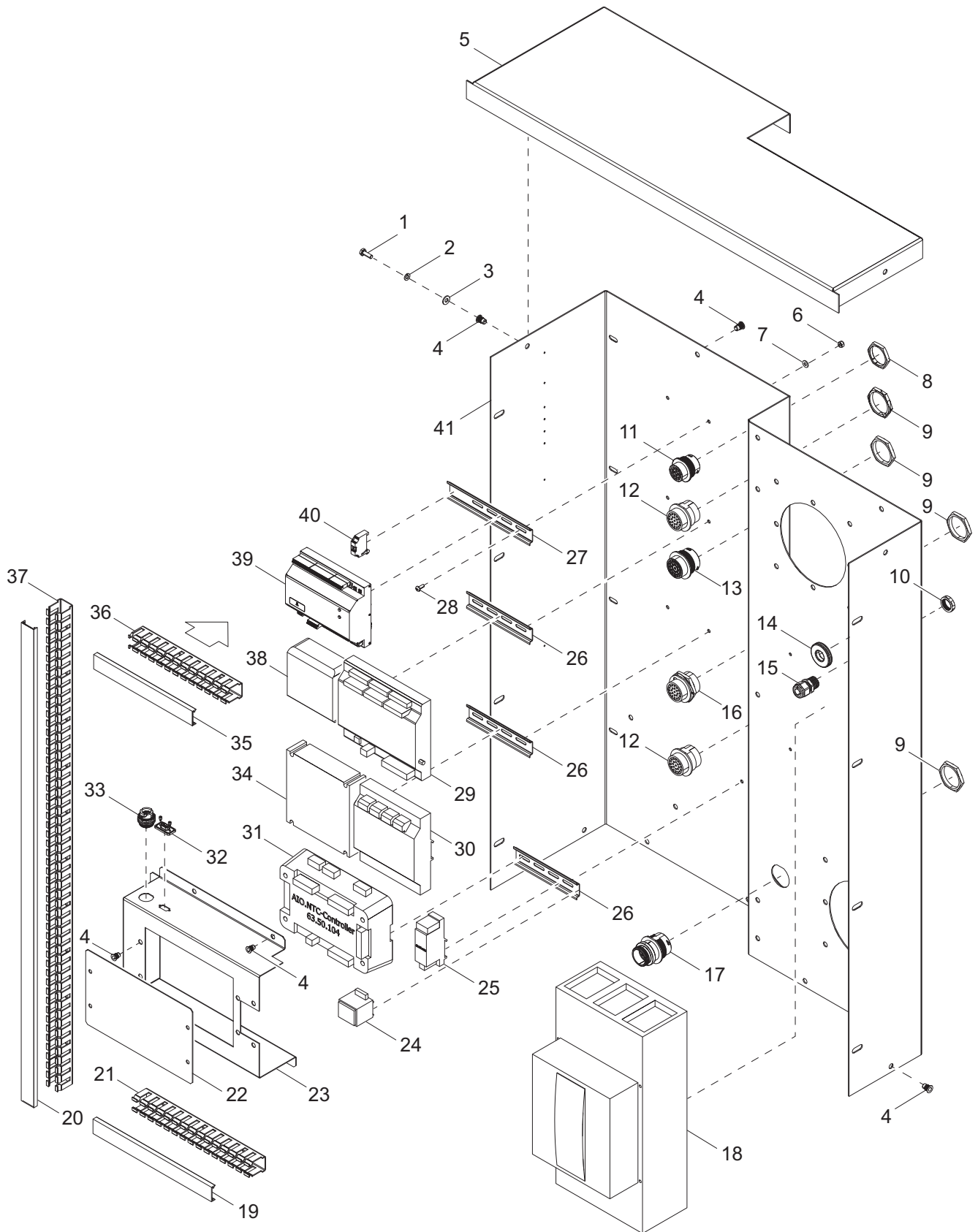


03575

REAR CORNER ASSEMBLY

Item	Part No.	Qty	Description	Notes
1	0L05120AL05	2	Panel, intake - side	
2	0L05230AL05	2	Panel, baffle - side overhead	
3	G087233	48	Rivet, pop .1875 x .450 - SS	
4	HW3206A13	7	Nut, insert .250-20 .165-.260	
5	0L05110AL05	1	Panel, rear - top	
6	0L05030AL05	3	Brace, single door	
7	0H4907DA	3	Foam, side rail - single door	
8	G030795	24	Screw, 5/16-18 x 1.00 hex head, G5	
9	G022145	16	Washer, M8 - 5/16 flat	
10	0L05050AL05	2	Support, door - rear	
11	0L00130ST03	3	Support, lift structure - left	
12	0L14710AL05	3	Liner, side brace - single door	
13	60520	8	Nut, .625-11 hex, G8	
14	60194	8	Washer, M16 split lock	
15	60521	16	Washer, .625 flat 1.743/.108	
16	0L05020AL05	1	Panel, side brace - customer connection	
17	61078	8	Screw, .625-11 x 2.00 flange hex, G8	
18	0D8962	4	Stud, M6-1.00 x 15 - SS	
19	0L05840ST03	2	Plate, mounting - rear corner	
20	0L05860ST03	1	Plate, mounting - rear	
21	G052857	4	Nut, M6-1.00 flanged nylock	
22	G024114	8	Nut, M8 - 5/16 hex	
23	G022129	8	Washer, M8 - 5/16 split lock	

CONTROL BOX ASSEMBLY (1 OF 3)

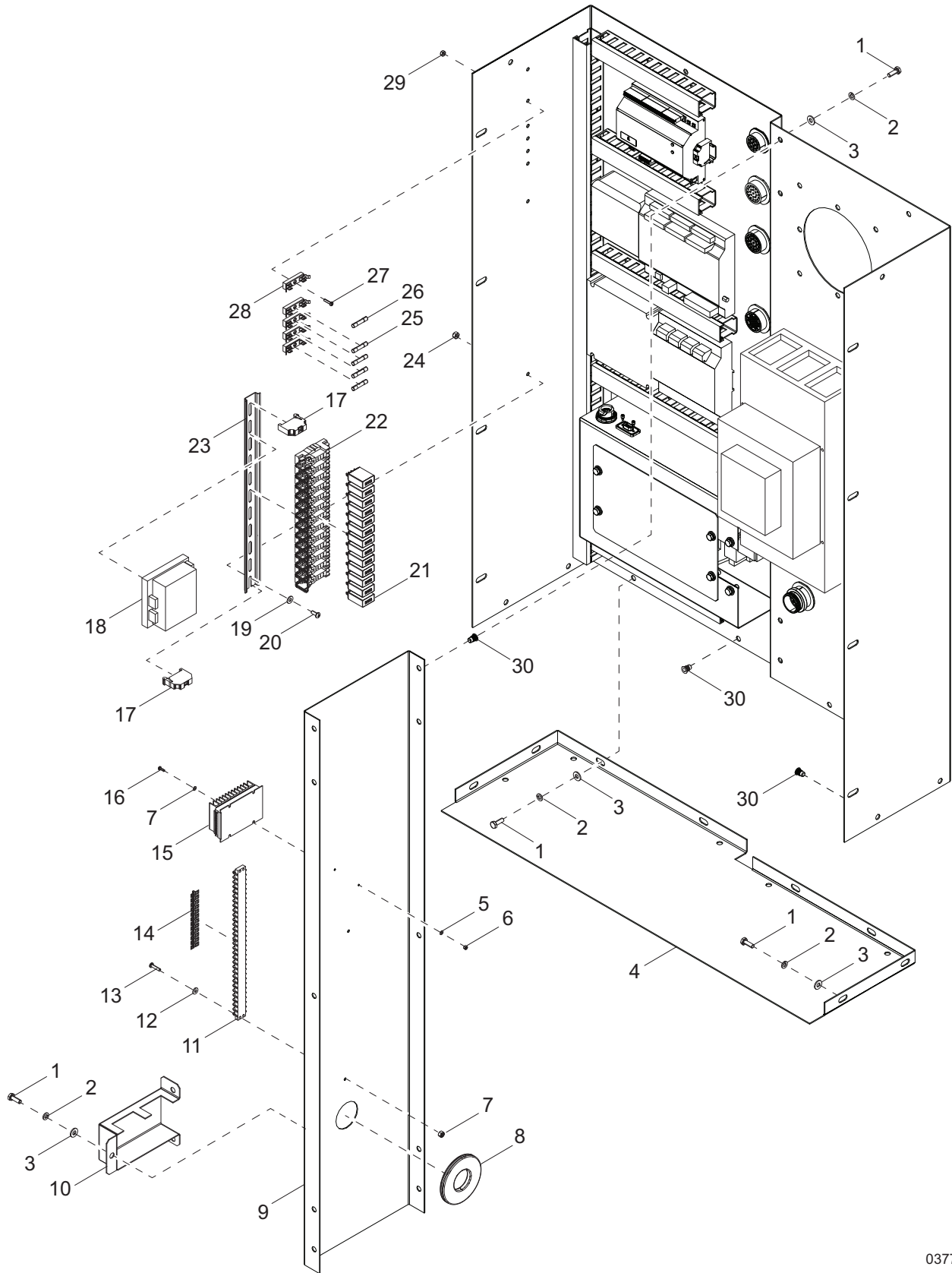


03576

CONTROL BOX ASSEMBLY (1 OF 3)

Item	Part No.	Qty	Description	Notes
1	G022287	5	Screw, .250-20 x .750 hex head, G5	
2	G022097	5	Washer, .250 split lock	
3	G022473	5	Washer, .250 flat	
4	A0002453728	17	Insert, nut fitting .250-20	
5	A0002453724	1	ST03 Top control box 21.9 COP	
6	G037398	8	Nut,#10-30 nylock	
7	G023897	8	Washer,	
8	0L2916	1	Nut, panel	
9	WD5051A18	5	Nut, panel HDP20	
10	WD1543A09	1	Nut, .500NPT lock	
11	0L2909	1	Connector, receptacle 14 pin w/flange	
12	0D2477	1	Connector, receptacle, 23 pin with flange	
13	0L4560	1	Connector, receptacle, 23 skt with flange	
14	RM1092A20	1	Grommet, .750 x 3/32 - rubber	
15	WD1543A07	1	Cord grip, .500NPT - small	
16	0C8239	1	Connector, HDP24-31PT	
17	0L2386	1	Connector, receptacle, 16 pin w/flange	
18	A0003172981	1	Breaker - 600A 3P-600V	
19	091472A	1.50ft	Cover, cord channel	
20	091472A	4.00ft	Cover, cord channel	
21	091472A	1.50ft	Channel, cord	
22	0L36700ST03	1	Cover, controller box	
23	0L36690ST03	1	Box, controller	
24	0L1607	1	Transformer, IG-AVRI - Motortech	
25	0L1604	1	IG-AVRI - Motortech	
26	0C3996	4	Rail, DIN - aluminum	
27	0C3996	1	Rail, DIN - aluminum	
28	G036701	8	Screw, #10-32 x .500 Phillips head pan	
29	0L1603	1	Detcon 20 - Motortech	
30	0L1608	1	AIN8 - Motortech	
31	CALL	1	Controller, AIO-NTC-BB - Motortech	
32	0L2462	1	Connector, DSUB 9 position - male	
33	0L2466	1	Coupler, modular, 8 position	
34	0L1609	1	ECON-4 - Motortech	
35	091472A	1.250ft	Cover, cord channel	
36	091472A	1.250ft	Channel, cord	
37	091472A	4.00ft	Channel, cord	
38	0L1610	1	Inteli IO8/8 - Mototech	
39	0L1602	1	Varistep - Motortech	
40	TB0170A33	2	Terminal block, Wago - end stop	
41	A0002453722	1	ST03 box control 21.9L COP	

CONTROL BOX ASSEMBLY (2 OF 3)

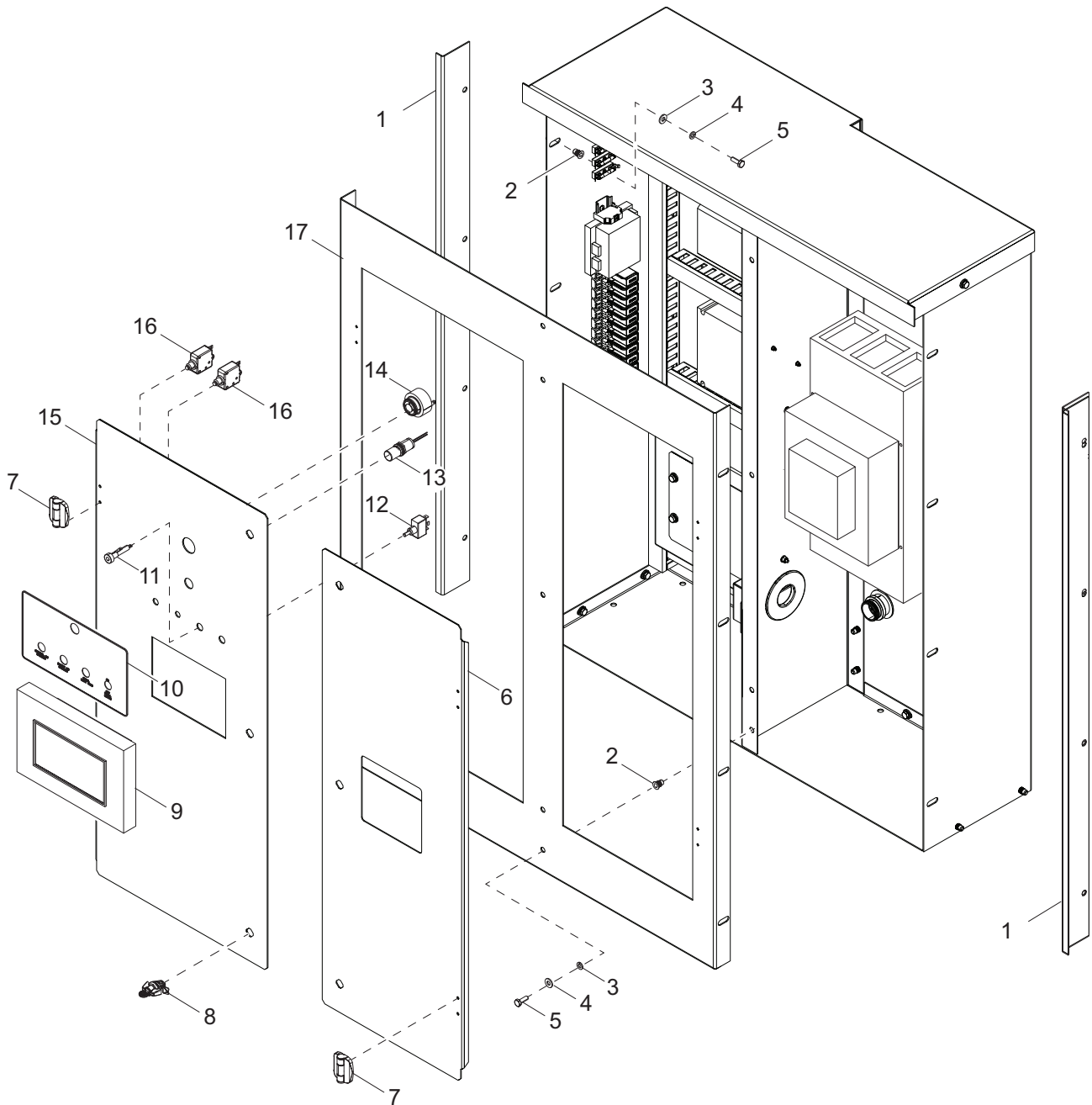


03773

CONTROL BOX ASSEMBLY (2 OF 3)

Item	Part No.	Qty	Description	Notes
1	G022287	14	Screw, .250-20 x 0.0 pan head Phillips	
2	G022097	14	Washer, .250 split lock	
3	G022473	14	Washer, .250 flat	
4	A0002453728	1	ST03 bottom control box 21.9 COP	
5	G052777	4	Washer, M3 flat	
6	0D9784	2	Nut, M3-0.50 nylock	
7	G063480	2	Nut, #8-32 nylock	
8	RM1092A17	1	Grommet, 1.50 diameter - rubber	
9	A0002453529	1	ST03 control box divider G21.9L COP	
10	0L36680ST03	1	Cover, wire harness	
11	TB0226A27	1	Terminal strip, 300V 27 position	
12	G038150	2	Washer, #8 flat	
13	G036920	2	Screw, #8-32 x .750 pan head Phillips	
14	TB0226A10	12	Jumper, terminal strip	
15	0L3573	1	Converter, 24VDC to 12VDC - 150W	
16	0G5724	2	Screw, M3-0.50 x 10 pan head Phillips	
17	TB0170A33	2	Terminal block, end stop	
18	0L1843	1	Converter, NT - Motortech	
19	G023897	2	Washer, #10 flat	
20	G036701	2	Screw, #10-32 x .500 pan head Phillips	
21	RE5033A08	13	Relay, 10A, 1PDT 24VDC	
22	RE5031A23	13	Base, relay 10A, 1P	
23	0C3996	1	DIN rail, 2.75" - aluminum	
24	G037398	2	Nut, #10-32 nylock	
25	FU0066A00	4	Fuse, 5A, 250V	
26	FU0066A02	1	Fuse, AGC1	
27	0C2323	5	Screw, #6-32 x .625 pan head Phillips	
28	FU0082A00	5	Fuse block, DC 1P	
29	G082625	5	Nut, #6-32 nylock	
30	HA4700A00	14	Insert nut fitting, 1/4-20	

CONTROL BOX ASSEMBLY (3 OF 3)

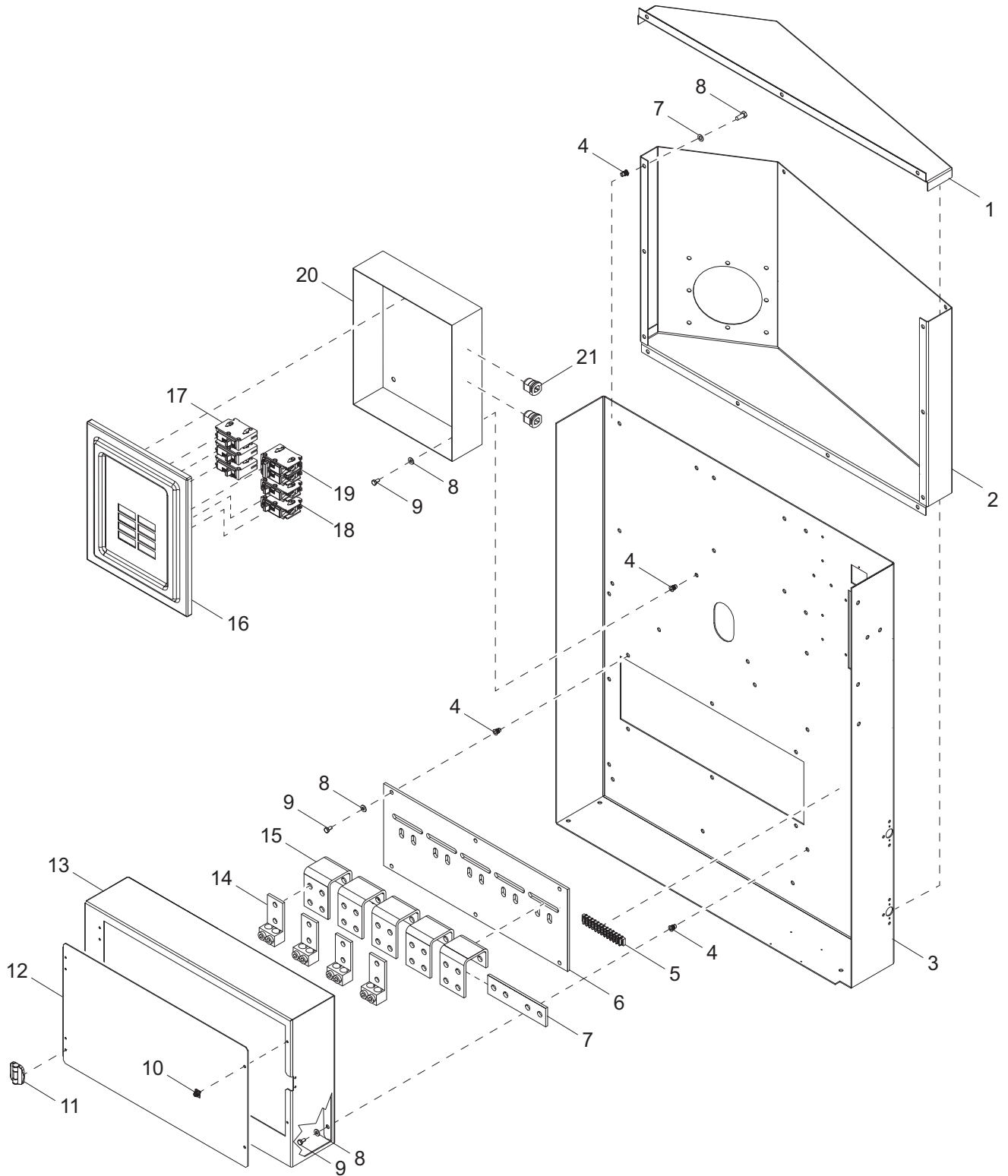


03772

CONTROL BOX ASSEMBLY (3 OF 3)

Item	Part No.	Qty	Description	Notes
1	0L12360ST03	2	Seal, control box,	
2	HA4700A00	12	Nut, .250-20 insert	
3	G022473	12	Washer, .250 flat	
4	G022097	12	Washer, .250 split lock	
5	G022287	12	Screw, .250-20 x .750 hex head, G5	
6	A0002453733	1	ST03 door control box 21.9 COP	
7	HW2415A03	4	Hinge, detent, nylon - black	
8	0L5052	6	Turn, latch wing w/nut keyed	
9	CALL	1	Controller, all-in-one - Motortech	
10	LB0094H08	1	Decal, control panel 300kW	
11	FU0064A00	1	Fuse holder, HKP-HH	
12	SP9217A00	1	Switch, toggle 1PST 2 position	
13	DI0180A25	1	Lamp, LED miniature	
14	DS0012A02	1	Horn, alarm 6-28VDC	
15	0L19740ST03	1	Door, control panel	
16	CK5021A00	2	Breaker, DC 15A	
17	0L11590ST03	1	Frame, control box door	

POWER PANEL BOX ASSEMBLY (1 OF 2)

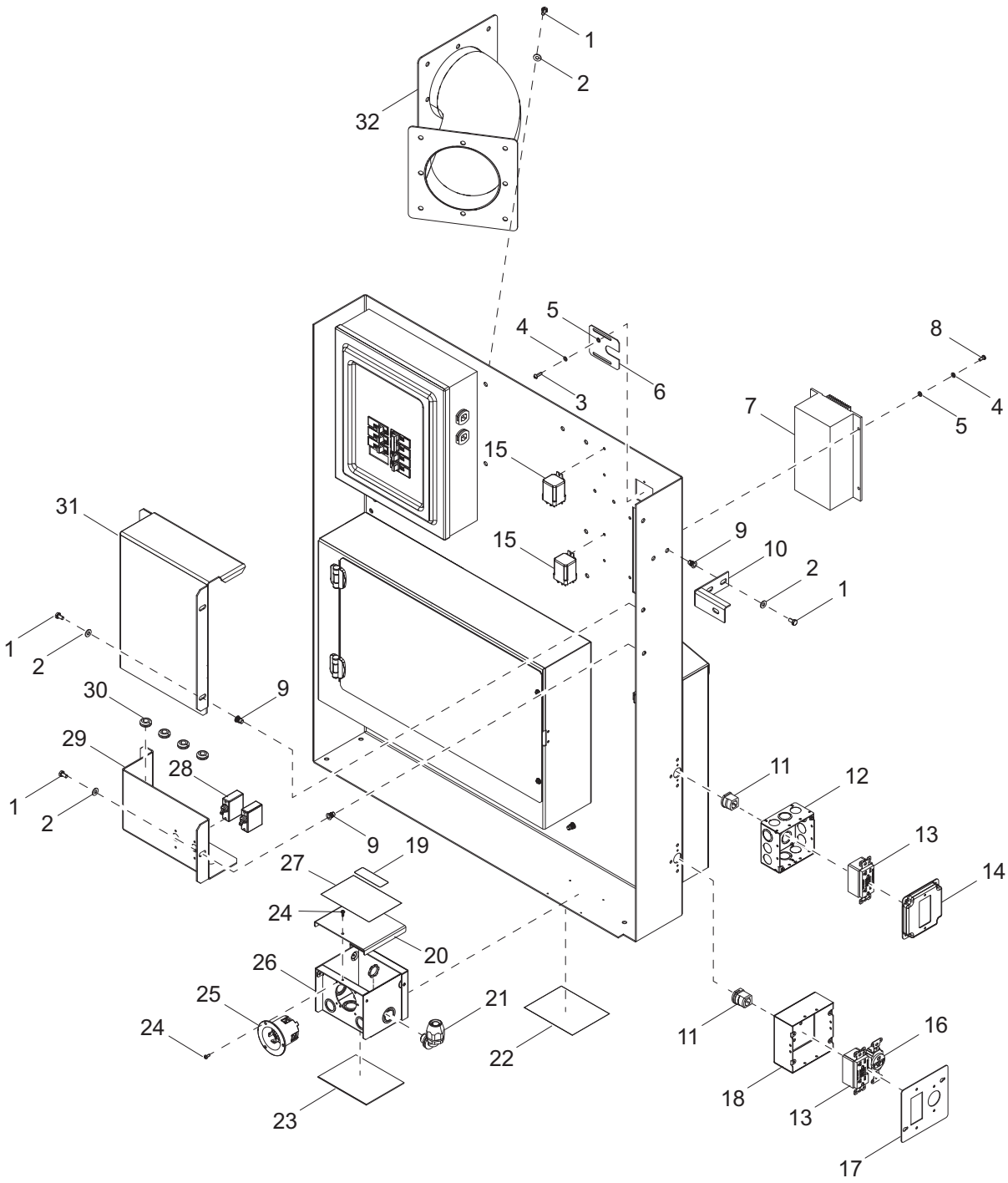


03579

POWER PANEL BOX ASSEMBLY (1 OF 2)

Item	Part No.	Qty	Description	Notes
1	EN8036A161L2B	1	Cover, bus bar connection guard	
2	EN8036A185L2B	1	Guard, bus bar, power panel	
3	0L17780ST03	1	Panel, convenience	
4	HA4700A00	29	Insert, nut fitting .250-20	
5	TB0226A30	1	Terminal strip, 12 position 300V	
6	EN8035G162	1	Plate, bus bar mounting	
7	WD2503A135	1	Jumper, bus bar	
8	G022473	29	Washer, .250-M6 flat	
9	G022507	29	Screw, .250-20 x .500 hex head, G5	
10	HW3088A01	2	Screw, captive - slotted	
11	HW2415A03	2	Hinge, detent 120°-170° - black	
12	A0000215057	1	Door, bus bar power panel	
13	0L27750ST03	1	Box, bus bar power panel	
14	TB0004A53	4	Lug, mechanical (2)6AWG-350MCM, 600V	
15	WD2503B79	5	Bus Bar, bent .250 x 3.00	
16	0D8602	1	Load center, 125A, 8 position 240V	
17	0E7888C	3	Breaker, 20A 1P plug-in	
18	0E7888B	2	Breaker, 15A 1P plug-in	
19	0E7888G	1	Breaker, 15A 2P plug-in	
20	0D8602	1	Cover, load center	
21	0J8899	2	Bushing, strain round	

POWER PANEL BOX ASSEMBLY (2 OF 2)

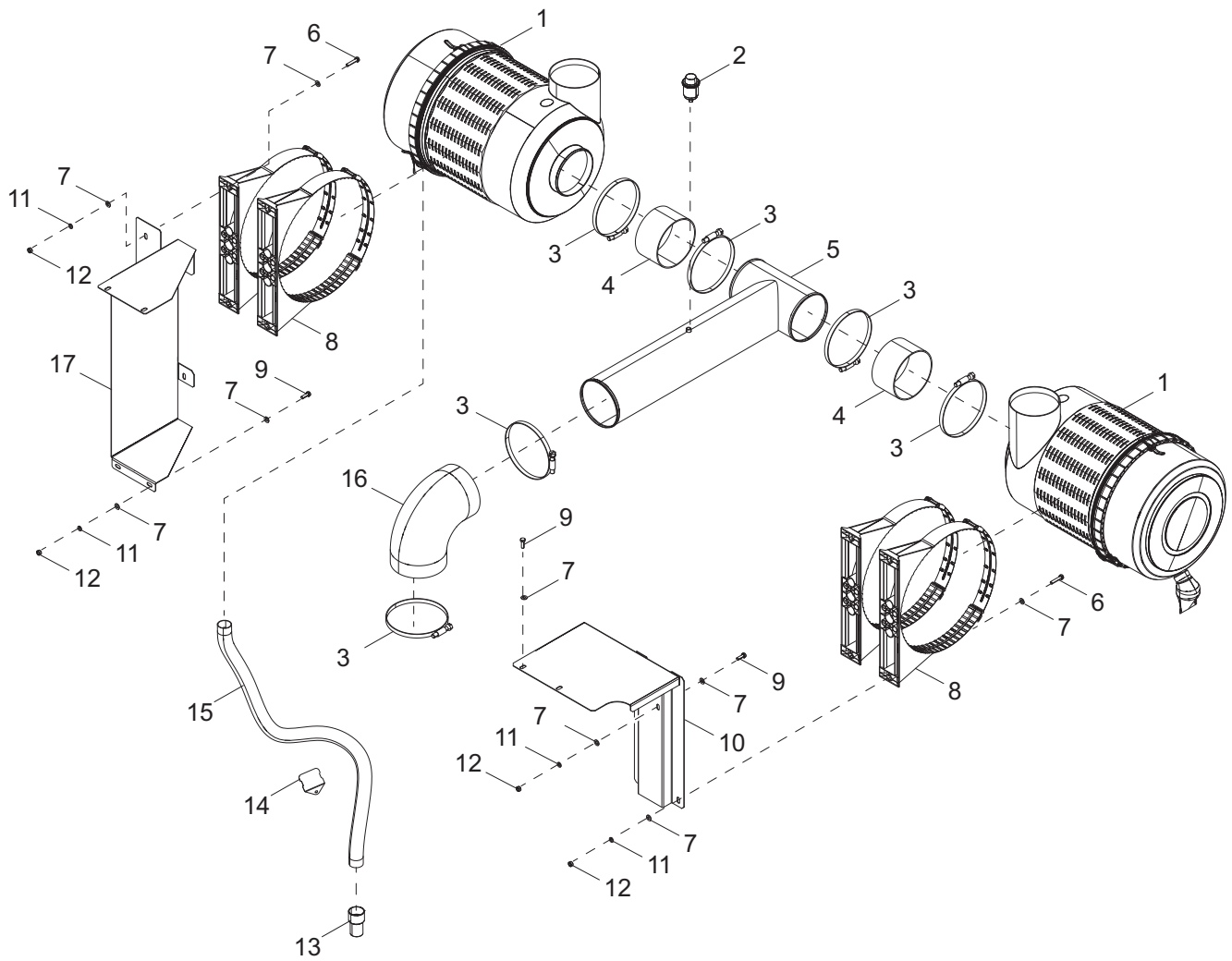


03580

POWER PANEL BOX ASSEMBLY (2 OF 2)

Item	Part No.	Qty	Description	Notes
1	G022507	29	Screw, .250-20 x .500 hex head, G5	
2	G022473	9	Washer, .250-M6 flat	
3	OJ5464	2	Screw, M5-0.80 x 16 pan head Phillips	
4	G049226	6	Washer, M5 split lock	
5	G051713	6	Washer, M5 flat	
6	OJ01360ST03	1	Plate, wire harness block	
7	OF1740D	1	Assembly, battery charger 10A UL 24V	
8	G091526	4	Screw, M5-0.8 x 12 Phillips pan	
9	HA4700A00	9	Insert, .250-20 nut fitting	
10	OL24710ST03	1	Bracket, convenience box	
11	OJ8898	2	Bushing, strain (.525-.600)	
12	O25392A	1	Outlet box, 4.00 sq x 2.125	
13	OF6207	2	Outlet, 20A GFCI 125V	
14	OK1100	1	Cover, 4.00 sq single GFCI	
15	OL2496	2	Relay, 24VDC DPDT 35A	
16	OF4776	1	Outlet, 15A 250V	
17	OF7278	1	Cover, dual receptacle	
18	OF7357	1	Box, square w/KOs	
19	OK3470	1	Decal, Generac SLV/ORN	
20	N/A	1	Cover, power inlet	
21	OC8818	1	Fitting, conduit 90D .500 - plastic	
22	OK3960	1	Card, Do Not Return	
23	-	1	Manual, install PIB flip lid	
24	OC3990	4	Screw, M4-0.7 x 10 pan head Phillips	
25	OK3521	1	Inlet, flanged 30A 125/250V	
26	OK34650AL0R	1	Enclosure, power inlet box	
27	-	1	Label, power inlet box cover	
28	CK0077A01	2	Breaker, 20A single pole - magnetic	
29	OL45480ST03	1	Cover, panel	
30	G030809	4	Grommet, 11/16 x 1/8 x 7/16	
31	OL21370ST03	1	Cover, convenience panel	
32	WD4556A22	1	Wire way, 6.00"ID flex - 18.00" extended	

AIR FILTER ASSEMBLY

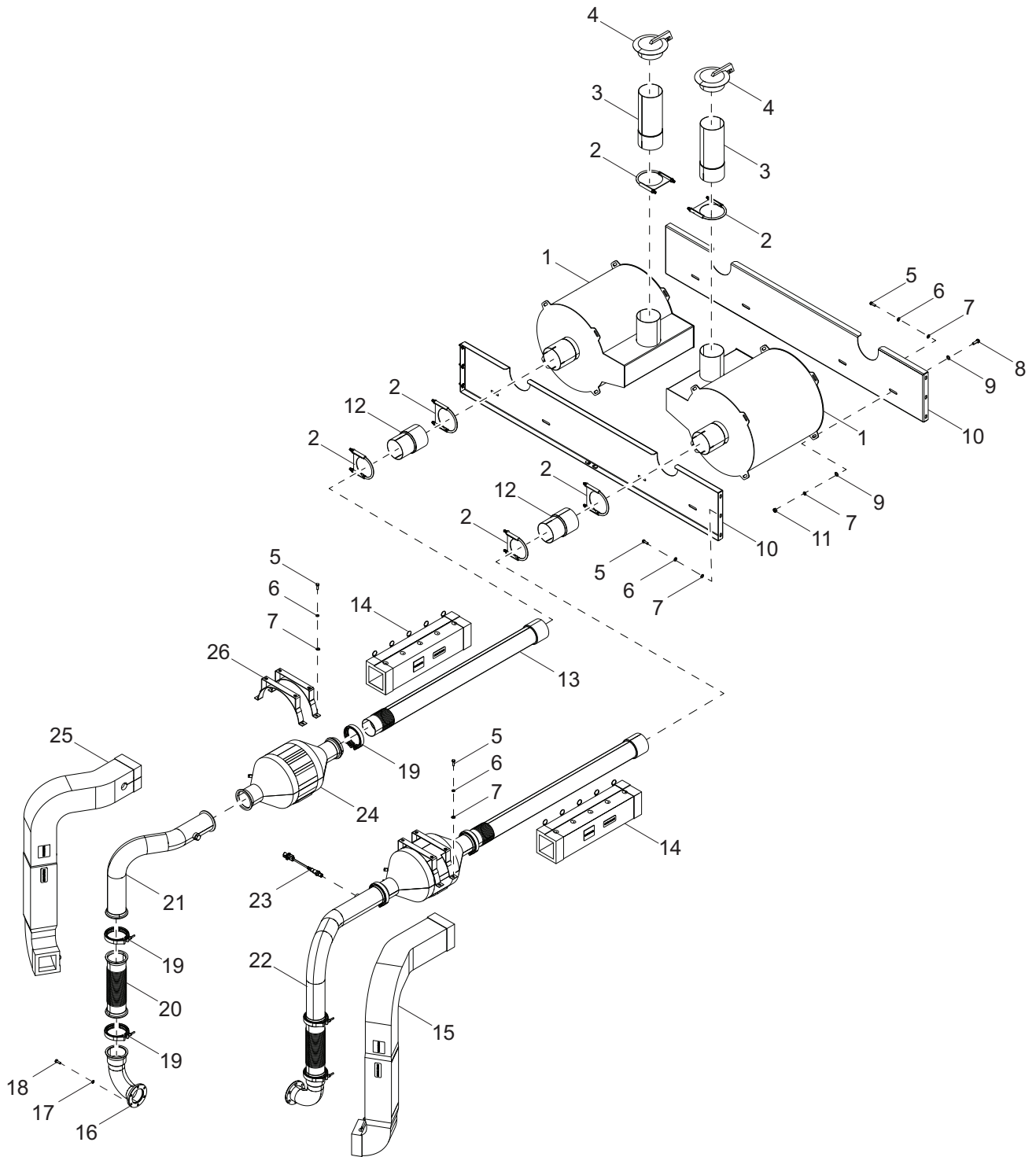


03581

AIR FILTER ASSEMBLY

Item	Part No.	Qty	Description	Notes
1	A0000335245	2	Filter, air two stage	
2	0A4256	1	Indicator, filter minder	
3	G061706	6	Clamp, hose #104 6.12-7.00	
4	0L4695	2	Coupling, 6.00 - rubber	
5	0L5106	1	Assembly, air tube intake	
6	G057821	8	Screw, M8-125 x 40 hex head cap, G8.8	
7	G022145	32	Washer, flat 5/16 - M8	
8	HW3512A54	4	Band, air filter mounting	
9	G043107	8	Screw, .500-13 x 1.00 hex	
10	0L39030ST03	1	Bracket, air cleaner	
11	G022129	16	Washer, 5/16-M8 spring lock	
12	G045771	16	Nut, M8-1.25 hex, G8	
13	10000002221	1	Fitting, air cleaner hose	
14	10000002223	1	Bracket, air cleaner hose	
15	10000002220	1	Hose, air cleaner	
16	0L3708	1	Elbow, 90° 5.50-6.00 adapter	
17	0L1975AST03	1	Bracket, dual stage air cleaner	

EXHAUST SYSTEM ASSEMBLY

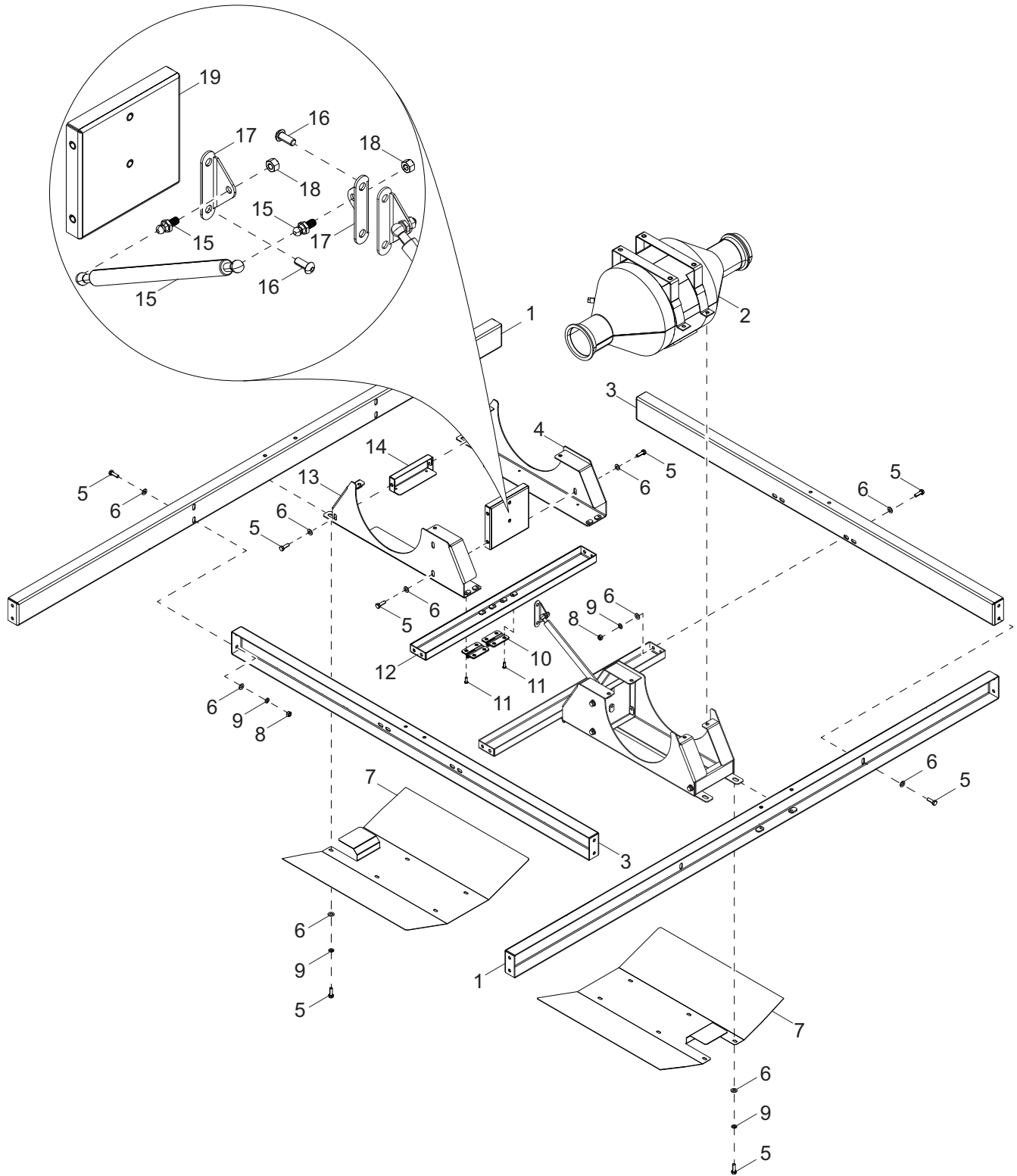


03582

EXHAUST SYSTEM ASSEMBLY

Item	Part No.	Qty	Description	Notes
1	ET0001B34	2	Muffler	
2	HW3514A13	4	Clamp, guillotine 4.50	
3	EA0131A18	2	Exhaust, 4.50ID x 12.0, slot and plain end	
4	EA0026A20	2	Cap, rain 4.50	
5	G043107	20	Screw, SAE 1/2M x 1/8F hex - brass	
6	G022237	36	Washer, .375 split lock	
7	G022145	20	Washer, 5/16 x M8 flat	
8	G042911	16	Screw, M10-1.5 x 30 hex head cap, G8.8	
9	G022131	32	Washer, M10 flat	
10	OL04950ST03	2	Support, muffler - cross brace	
11	OG3922	8	Nut, M10-1.75 hex, G8	
12	HW2235A20	2	Tube, reducer 4.50-4.00	
13	OL1218	2	Assembly, exhaust pipe 3.50 OD	
14	OL1828	2	Blanket, exhaust	
15	OL1827	1	Blanket, exhaust RH	
16	OL1217	2	Assembly, exhaust elbow	
17	OK9349	12	Washer, M8 wedge lock - SS	
18	G070002	12	Screw, M8-1.25 x 25 hex head cap - SS	
19	G098458	8	Clamp, exhaust v-band	
20	OL1216	2	Assembly, exhaust flex 3.50	
21	OL1214	1	Assembly, exhaust upper pipe LH	
22	OL1215	1	Assembly, exhaust upper pipe RH	
23	10000009951	1	Sensor, oxygen LSU wide band	
24	OL1220	2	Catalyst, 3.50 inlet and outlet	
25	OL1826	1	Blanket, exhaust LH	
26	OJ39790ST11	4	Clamp, exhaust 11.00	

EXHAUST SYSTEM SUPPORT

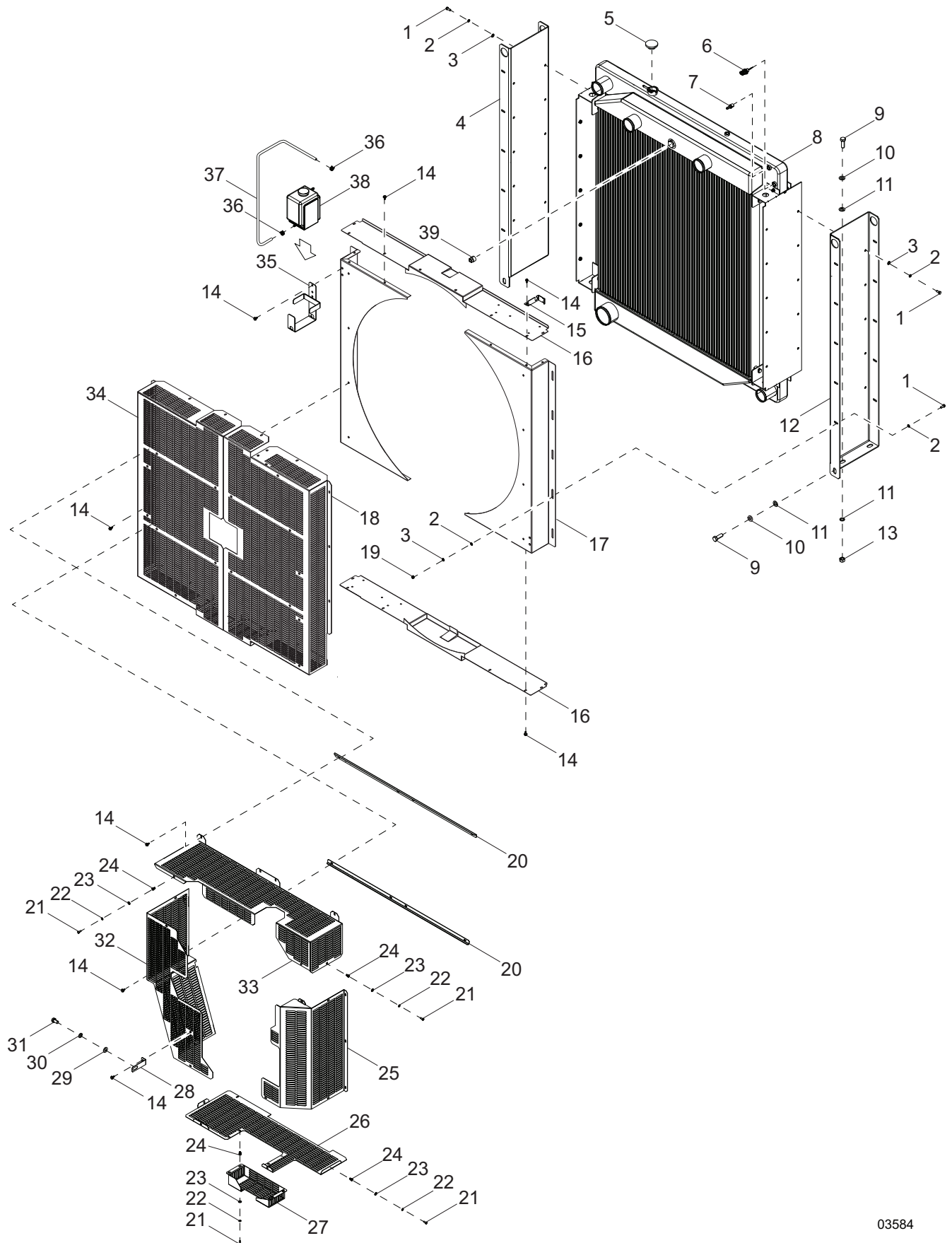


03583

EXHAUST SYSTEM SUPPORT

Item	Part No.	Qty	Description	Notes
1	0L03200ST03	2	Brace, catalyst - cross	
2	0L1220	2	Catalyst, 3.50 inlet and outlet	
3	0L03210ST03	2	Support, catalyst - rail	
4	0L0328AST03	2	Support, catalyst mounting RH	
5	G043107	16	Screw, SAE 1/2M x 1/8F	
6	G022145	32	Washer 5/16-M8 flat	
7	0L0331	2	Shield, catalyst heat	
8	G045771	8	Nut, M8-1.25 hex, G8	
9	G022129	8	Washer, 5/16 lock	
10	0C3594	2	Assembly, hinge	
11	0A3359	8	Screw, M6-1.0 x 16 button head slotted - SS	
12	0L0322AST03	2	Support, catalyst - rail	
13	0L03280ST03	2	Support, catalyst - mounting LH	
14	0L0330AST03	2	Cradle, catalyst - cross brace	
15	0L1955	2	Gas strut, 16.25" - SS	
16	0A5991	6	Screw, M8-1.25 x 20 button head hex - SS	
17	0L1956	4	Bracket, strut mounting - SS	
18	G070015	4	Nut, 5/16-18 nylock - SS	
19	0L19510ST03	2	Brace, catalyst cradle back	

COOLING SYSTEM ASSEMBLY

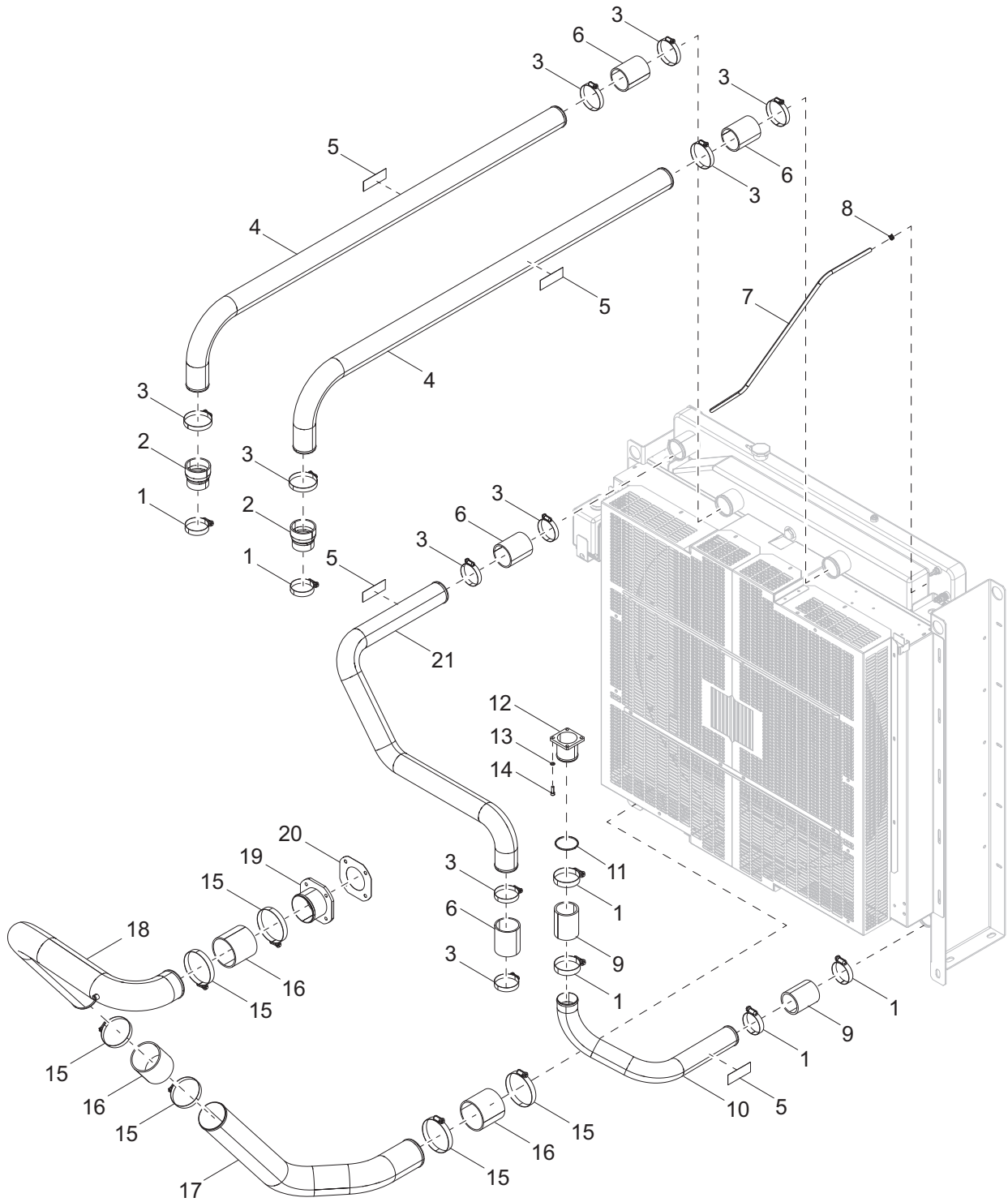


03584

COOLING SYSTEM ASSEMBLY

Item	Part No.	Qty	Description	Notes
1	G039253	30	Screw, M8-1.25 x 20 Hex, G8.8	
2	G022129	34	Washer, 5/16 locking spring	
3	G022145	20	Washer, 5/16 M8 flat	
4	0K19930ST03	1	Support, radiator LH	
5	0E4162	1	Cap, radiator 20psi	
6	0H1827	1	Probe, coolant level .375-18NPTF	
7	G055596	1	Fitting, straight .375NPT x .375 barbed	
8	0K7454	1	Radiator, 21.9L	
9	0G6035	6	Screw, M16-2.0 x 45 hex head cap, G10.9	
10	G070265	12	Washer, M16 split lock	
11	0A1646	6	Washer, M16	
12	0K19940ST03	1	Support, radiator RH	
13	0A5618	6	Nut, M16-2.0 hex, G8	
14	0C2454	21	Screw, M6-1 x 16 H	
15	0F2776	1	Bracket, signal conditioner	
16	0L61050ST03	2	Venturi, top and bottom	
17	0L61040ST03	1	Venturi	
18	0L61030ST03	1	Guard, fan RH	
19	G045771	10	Nut, M8-1.25 hex, G8	
20	0K30310ST03	2	Support, fan guard D15.2L	
21	G047411	12	Screw, M6-1.0 x 16 hex head cap, G8.8	
22	G022097	12	Washer, .250 lock	
23	G022473	12	Washer, .250-M6 flat	
24	G092120	12	Nut, M6.0 x 1.00 insert	
25	0K63380ST03	1	Guard, level 1 RH side	
26	0K63370ST03	1	Guard, level 1 bottom	
27	0J75240ST03	1	Guard, tensioner bottom	
28	0K63600ST03	1	Bracket, level 1 support	
29	G052646	1	Washer, M14 flat	
30	G043123	1	Washer, M14 split lock	
31	G051778	1	Screw, M14-2.0 x 25 hex head cap, G8.8	
32	0K63390ST03	1	Guard level 1 LH	
33	0K63360ST03	1	Guard, level 1 top	
34	0K54670ST03	1	Guard, fan LH	
35	G080713	1	Bracket, coolant tank	
36	048031C	2	Clamp, hose band	
37	G029032	1	Hose, 9/32 ID	
38	G076749	1	Tank, coolant recovery	
39	G025655	1	Plug, standard pipe .750 square head	

COOLING SYSTEM HOSES

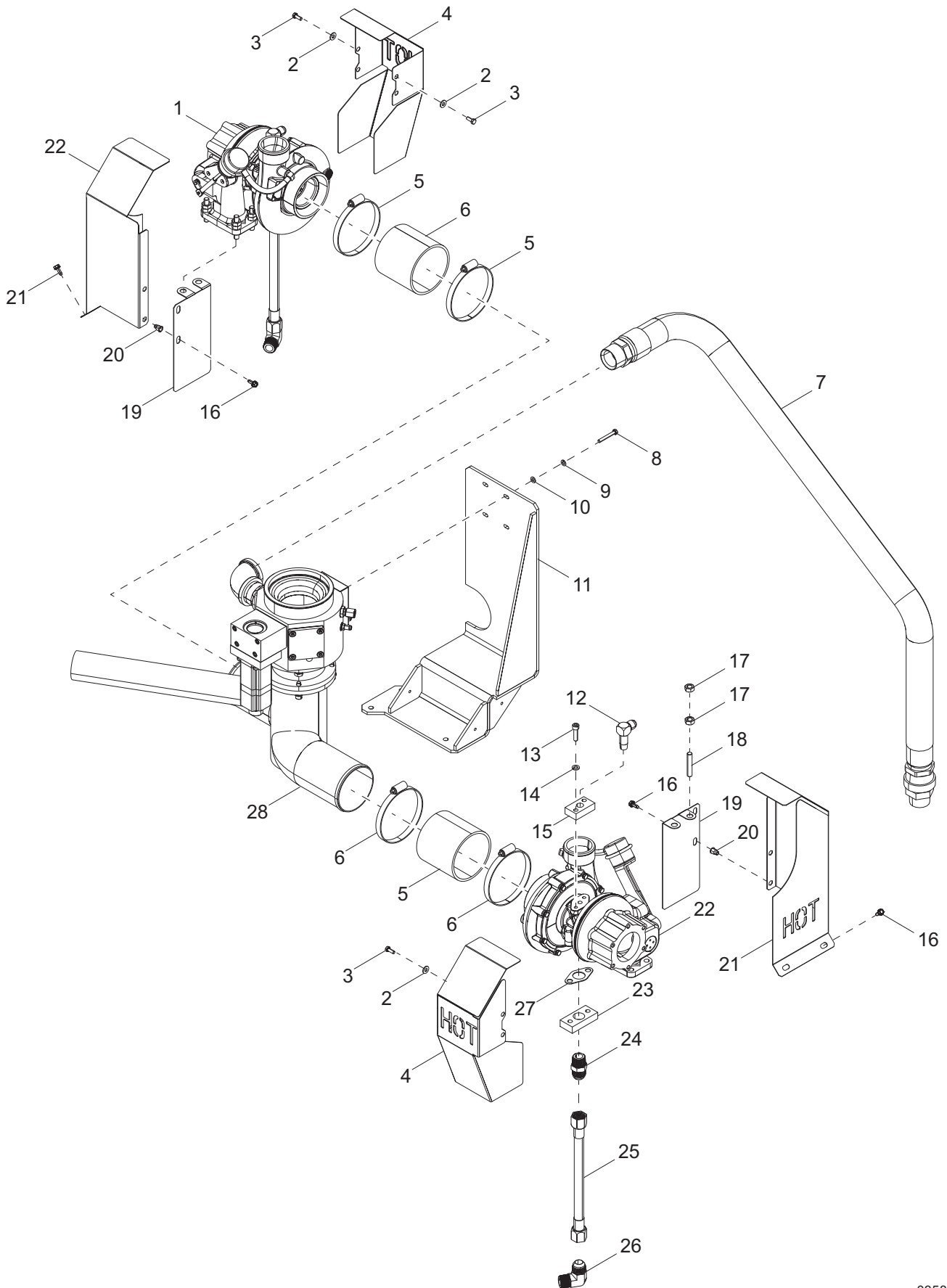


03585

COOLING SYSTEM HOSES

Item	Part No.	Qty	Description	Notes
1	0G1285D	6	Clamp, constant tension 2.25-3.125	
2	0L6119	2	Reducer, 3.00-2.50 - rubber	
3	0G1285F	8	Clamp, constant tension 3.25-4.125	
4	0K5430	2	Pipe, CAC G30 - upper	
5	0G3263	4	Decal, warning hot surfaces - bilingual	
6	0A5260B	4	Hose, 3.00ID x 4.00 long	
7	G047290	1	Hose, .375ID single braid	
8	048031J	1	Clamp, hose band .625	
9	0C7870	2	Hose. radiator 2.75ID x 4.00 long	
10	0K5428	1	Pipe, CAC G30 - lower radiator	
11	0K6252	1	O-ring	
12	0K5431	1	Adapter, lower radiator pipe - G30	
13	G022129	4	Washer, 5/16 spring lock	
14	0J3315	4	Screw, M8-1.25 x 25 slotted head cap, G8.8	
15	0G1285G	6	Clamp, constant tension 3.75-4.625	
16	082560B	3	Hose, turbo 4.00ID - high temp	
17	0K5429	1	Pipe, CAC outlet G30 - lower	
18	0K5437A	1	Pipe, CAC outlet 300 - upper	
19	0K5434	1	Adapter, CAC throttle plate - G30	
20	0K6253	1	Gasket, intake adapter - G30	
21	0K5438	1	Pipe. upper radiator - g30	

TURBOCHARGER ASSEMBLY

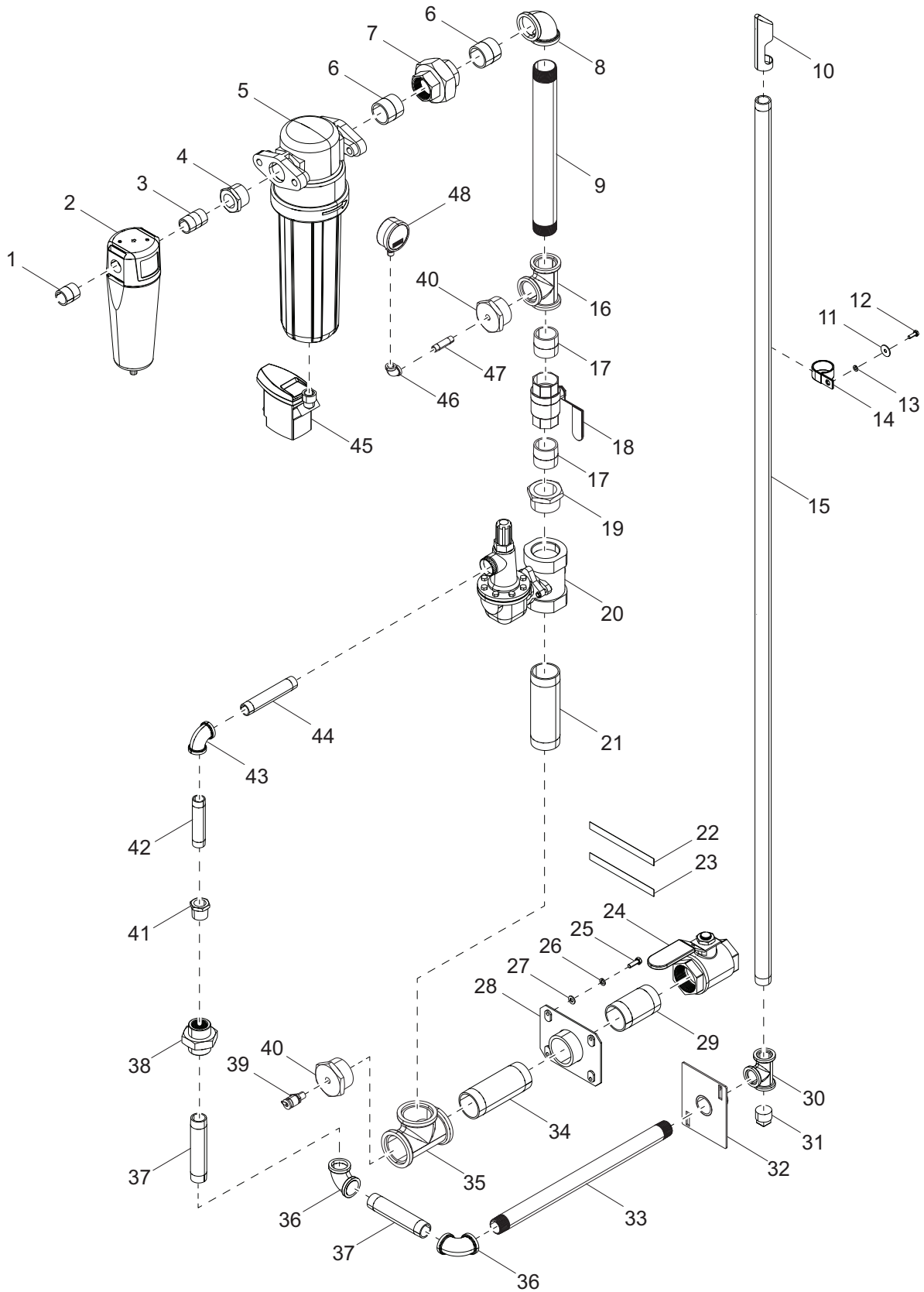


03586

TURBOCHARGER ASSEMBLY

Item	Part No.	Qty	Description	Notes
1	A0001619018	1	Assembly, turbocharger G21.9L	items 2-27
2	G084929	4	Washer, .250 flat - SS	
3	G047411	4	Screw, M6-1.00 x 16 hex head cap, G8.8	
4	0F9789B	2	Shield, heat turbo-front	
5	0G1285G	4	Clamp, constant tension 3.75 - 4.625	
6	A0000529254	2	Tube, turbo coupling 4.00ID x 6.00	
7	0L1155	1	Assembly, fuel hose - natural gas	
8	G051767	4	Screw, M6-1.0 x 45 flanged hex, g8.8	
9	G022097	4	Washer, .250 spring lock	
10	G049811	4	Washer, .M6 flat	
11	0L00410ST03	1	Bracket, mixer support	
12	G064965	1	Adapter, 90° JIC-NPT 2501-1-8-6	
13	G049821	2	Screw, M8-1.25 x 30slot head cap	
14	G022129	2	Washer, 5/16 spring lock	
15	059660A	1	Adapter, oil inlet flange - 8mm	
16	0E3257	4	Screw, M6-1.0 x 16 serrated flange hex	
17	G088510	8	Nut, M10-1.5 hex - SS	
18	G079922	4	Stud, M10-1.5 x 55 - SS	
19	0K5769A	2	Shield, oil tube - turbo	
20	0C3600	4	Nut, M6 x 1.00	
21	0K5768A	2	Shield, exhaust elbow	
22	0L4491	1	Turbocharger, 300kw	
23	A0000311196	2	Adapter, oil return	
24	A0000316470	2	Fitting, straight .750MNPT x 12JICM	
25	A0000316549	2	Hose, #12JICF x #12JICF x 12.00	
26	A0000316468	2	Fitting, 90° .750MNPT x #12 JICM	
27	G064974	2	Gasket, oil outlet flange	
28	0L1439	1	Mixer, fuel	

FUEL SYSTEM ASSEMBLY (1 OF 2)

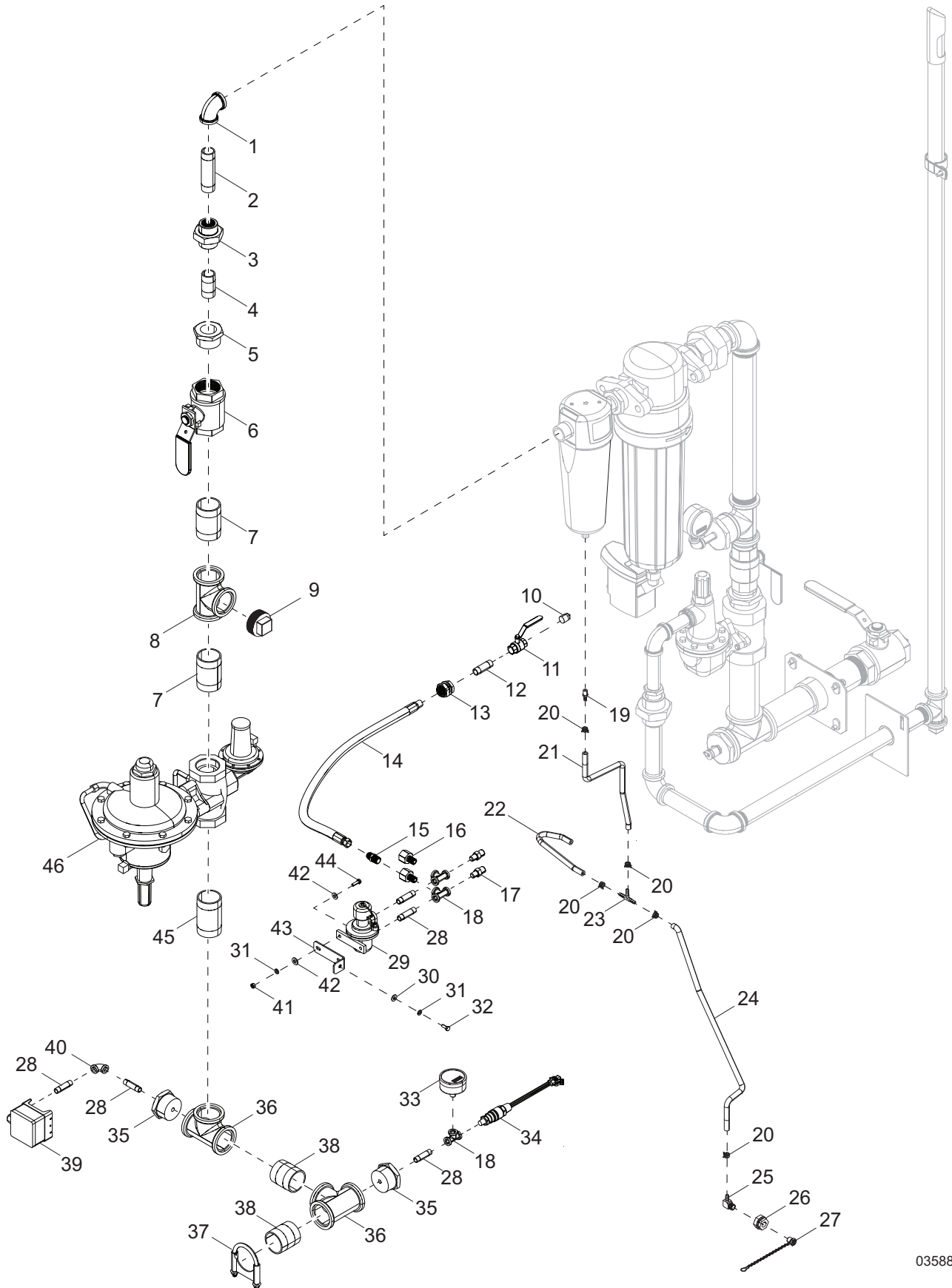


03587

FUEL SYSTEM ASSEMBLY (1 OF 2)

Item	Part No.	Qty	Description	Notes
1	G025438	1	Fitting, close nipple 1.00NPT x 1.50	
2	OL1871	1	Filter, element coalescing	
3	G039680	1	Fitting, nipple 1.00NPT x 2.00	
4	G090891	1	Fitting, reducer 1.50 to 1.00 black iron	
5	OL6001	1	Separator, cyclone DF-C	
6	G061900	2	Fitting, nipple-close 1.50NPT x 1.75	
7	OL6340	1	Fitting, union 1.50FNPT	
8	G062091	1	Fitting, 90° elbow 1.50NPT	
9	A0001049387	1	Fitting, nipple 1.50NPT x 16.00	
10	OL4248	1	Cap, 1.00 blow off - rubber	
11	G071693	1	Washer, .250 flat	
12	-	1	Screw, .250-20 x .750 hex head cap - SS	
13	G022097	1	Washer, .250 split lock	
14	055934P	1	Clamp, STL/VNL 1.62 x .486	
15	OL4144	1	Fitting, nipple 1.00NPT x 87.00	
16	G028678	1	Fitting, tee 1.50NPT	
17	G061900	2	Fitting, close nipple 1.59NPT x 1.75	
18	0J3858F	1	Ball valve, 1.50NPT	
19	0G0570	1	Fitting, reducer 2.00 to 1.50	
20	OL1716	1	Regulator, primary pressure	
21	G090608	1	Fitting, nipple	
22	0D1509	1	Decal, inlet pressure	
23	050279B	1	Decal, fuel inlet 2.00NPT - natural gas	
24	OL1725	1	Ball valve, 2.00NPT lock out tag out	
25	G043107	8	Screw, SAE 1.2M x 1/8F - Brass	
26	G022129	8	Washer, 5/16 split lock	
27	022145	8	Washer, 5/16 flat	
28	0K8893AST03	1	Weldment, flange 3.00NPT	
29	A0000639770	1	Fitting, nipple 2.00NPT x 4.00 black iron	
30	G055471	1	Fitting, tee 1.00NPT	
31	G028680	1	Fitting, plug 1.00 square head	
32	A0001074058	1	Weldment, pipe support - 1.00NPT	
33	A0001048681	1	Fitting, nipple 1.00NPT x 22.00	
34	10000012024	1	Fitting, nipple	
35	G028618	1	Fitting, tee 2.00NPT	
36	G025437	2	Fitting, 90° elbow 1.00NPT	
37	G025435	3	Fitting, nipple 1.00NPT x 6.00	
38	OL4131	1	Fitting, union 1.00FNPT	
39	A0001048635	1	Fitting, pressure test .250MNPT x M16-2	
40	0J7448	2	Bushing, reducer 2.00 to .250 - hex	
41	026577	1	Cup, inner bearing - axis axle	
42	G076691	1	Fitting, nipple .750NPT x 4.50 black iron	
43	G026812	1	Fitting, 90° elbow .750NPT	
44	A0001049406	1	Fitting, nipple .750NPT x 3.50	
45	OL6341	1	Drain, zero loss	
46	G033930	1	Fitting, 90° elbow .250NPT	
47	G024596	1	Fitting, nipple .250NPT x 2.00	
48	10000003507	1	Gauge, pressure NG/wellhead .250NPT 0-60PSI - SS	

FUEL SYSTEM ASSEMBLY (2 OF 2)

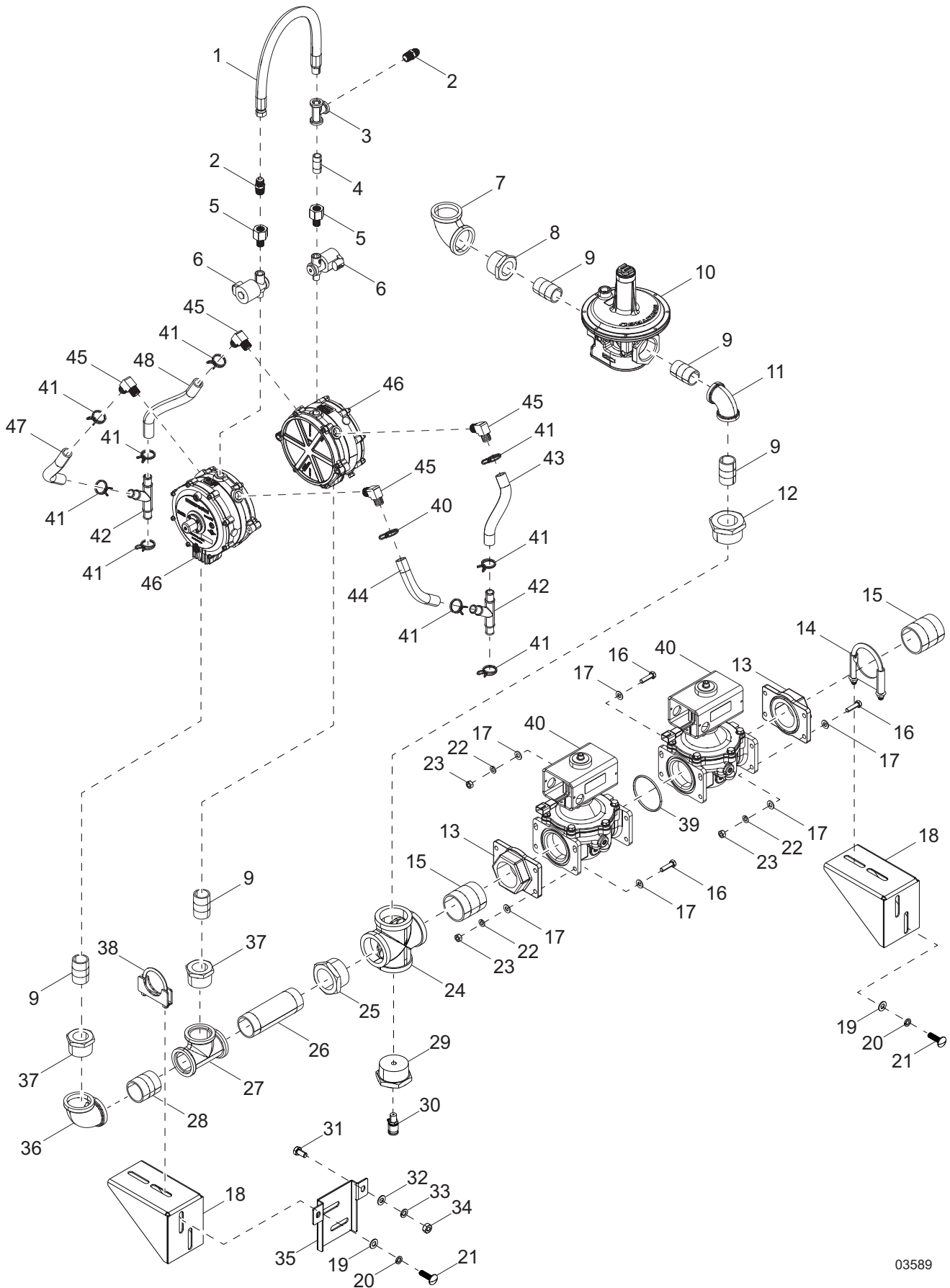


03588

FUEL SYSTEM ASSEMBLY (2 OF 2)

Item	Part No.	Qty	Description	Notes
1	G025437	1	Fitting, 90° elbow 1.00NPT	
2	G032202	1	Fitting, nipple 1.00NPT x 3.50	
3	0L4131	1	Fitting, union 1.00FNPT	
4	G033593	1	Fitting, nipple 1.00NPT x 2.50	
5	0L3526	1	Fitting, expander	
6	0L1725	1	Fitting, ball valve - lock out/tag out	
7	0A7238	1	Fitting, nipple 2.00NPT x 3.50 black iron	
8	G028618	3	Fitting, tee 2.00NPT	
9	A0001049413	1	Plug, clean out 2.00MNPT square	
10	026925	1	Fitting, plug .375 square head	
11	0J3858	1	Fitting, ball valve 1.250NPT	
12	10000012031	1	Fitting, nipple .375NPT x 2.00	
13	HW4046H43	1	Fitting, bulkhead .375FNPT - brass	
14	0L5409B	1	Fuel line, .375 x 36.00 long - LP	
15	0L5410	1	Fitting, adapter .375 flare - .375NPT	
16	0G6603	2	Fitting, adapter .250NPT-.375NPT	
17	0F5912	2	Valve, LPG relief - high pressure	
18	G029453	2	Fitting, tee .250NPT	
19	-	1	Fitting, straight .1625NPT x .250	
20	048031C	5	Clamp, hose band .500	
21	30340B	1	Hose, .250ID SAE 30R7	
22	30340B	1	Hose, .250ID SAE 30R7	
23	0C9079	1	Fitting, tee .250 - brass	
24	30340B	1	Hose, .250ID SAE 30R7	
25	G062007	1	Fitting, el 90° .250NPT x .250	
26	069598	1	Fitting, bulkhead adapter .250 x .250 x .750-16	
27	0L5650	1	Plug, .250NPT w/SS chain	
28	G024596	4	Fitting, nipple .250NPT x 2.00	
29	049198A	1	Solenoid, fuel lock-off w/connector	
30	G022473	1	Washer, M6-.250 flat	
31	G022097	3	Washer, .250 lock	
32	G047411	1	Screw, M6-1.0 x 16 hex head cap, G8.8	
33	10000003507	1	Gauge, pressure NG wellhead .250NPT 0-60PSI	
34	0L6735	1	Assembly, overpressure switch NG/LP 40PSI SPDT	
35	0J7448	2	Bushing, reducer 2.00 x .250 hex	
36	G028618	3	Fitting, tee 2.00NPT	
37	HW3514A24	1	Clamp, guillotine 2.50 single saddle	
38	0K4927	2	Fitting, nipple 2.00NPT x 2.500 - black iron	
39	A0001619021	1	Kit, fuel pressure switch	
40	G033930	1	Fitting, 90° elbow .25NPT	
41	G049813	2	Nut, M6-1.0 hex, G8	
42	022145	4	Washer, M8- 5/16 flat	
43	0J10600ST03	1	Bracket, 6.8L solenoid - LPL	
44	G042568	2	Screw, M6-1.00 x 20, G8.8	
45	0C8632	1	Fitting, nipple 2.00NPT x 4.00 black iron	
46	0L5055	1	Regulator, 2.00NPT - 299HS	

VAPORIZER ASSEMBLY

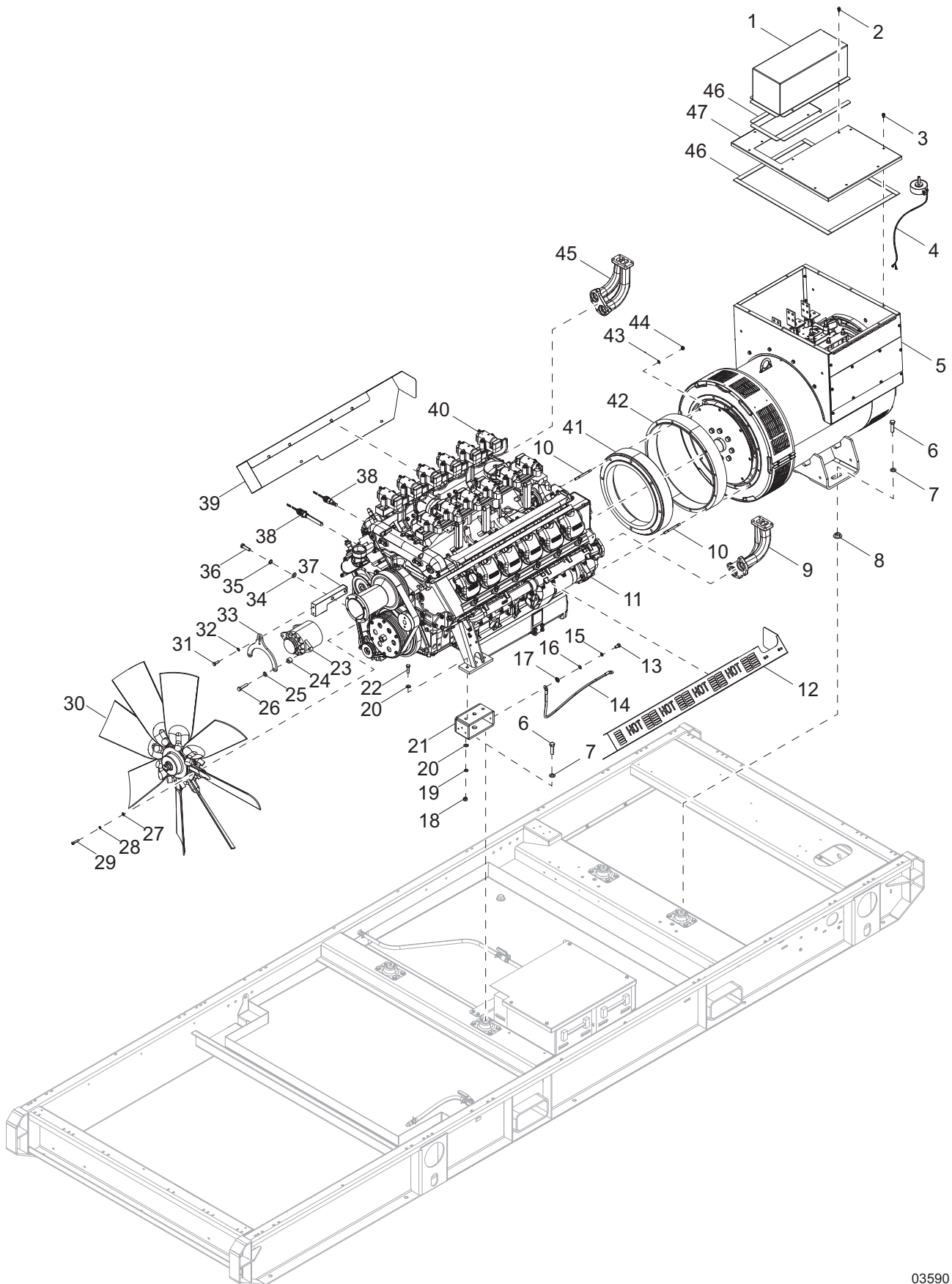


03589

VAPORIZER ASSEMBLY

Item	Part No.	Qty	Description	Notes
1	OL5409A	1	Hose, fuel .375 x 15.00	
2	OL5410	2	Fitting, adapter .375 flare -.375NPT	
3	G027738	1	Fitting, tee .375NPT	
4	G025065	1	Fitting nipple .375NPT x 1.500	
5	OG6603	2	Fitting, adapter .250NPT - .375NPT	
6	0A7097	2	Solenoid, fuel LPL	
7	G062091	1	Fitting, 90° elbow 1.50NPT	
8	G090891	1	Fitting, reducer 1.50 to 1.00	
9	G039680	5	Fitting, nipple 1.00NPT x 2.00	
10	10000007583	1	Regulator, zero pressure 1.00 x 1.00	
11	G025437	1	Fitting, 90° elbow 1.00NPT - steel	
12	OL3526	1	Fitting, reducer 2.00 to 1.00 black iron	
13	OK8452	2	Flange, valve inlet	
14	HW3514A24	1	Clamp, guillotine 2.500 single saddle	
15	OK4927	2	Fitting, nipple 2.00NPT x 2.500 - black iron	
16	G042909	12	Screw, M8-1.25 x 30 hex, G8.8	
17	G022145	24	Washer, M8 flat	
18	OL12330ST03	2	Bracket, gas regulator	
19	G022131	4	Washer, M10 flat	
20	G046526	4	Washer, M10 split lock	
21	A0000566381	4	Screw, M10-1.50 x 35MM carriage	
22	G022129	12	Washer, 5/16 spring lock	
23	G045771	12	Nut, M8-1.25 hex, G8	
24	A0001049417	1	Fitting, cross 2.00FNPT	
25	OG0570	1	Fitting, reducer 2.00 to 1.50	
26	A0000639776	1	Fitting, nipple 1.50NPT x 4.00	
27	G028678	1	Fitting, tee 1.50NPT	
28	A0000639773	1	Fitting, nipple 1.50NPT x 3.50	
29	OJ7448	1	Bushing, reducer 2.00 x .250 hex	
30	A0001048635	1	Fitting, pressure test .250MNPT x M16-2	
31	G051756	2	Screw, M10-1.5 x 20 hex, G8.8	
32	G046526	2	Washer, M10 lock	
33	G022131	2	Washer, M10 split lock	
34	G045772	2	Nut, M10-1.5 hex, G8	
35	A0001003114	1	Bracket, fuel system containment	
36	G062091	1	Fitting, 90° elbow 1.50NPT	
37	G090891	2	Fitting, reducer 1.50 to 1.00 black iron	
38	HW3514A00	1	Clamp, guillotine 2.00	
39	OK8503	1	O-ring, medium body size	
40	OL6094	2	Assembly, natural gas valve, 24V HP	
41	OG0015	10	Clamp, hose 7/8" OD - double wire	
42	OG8847	2	Fitting, .625 universal "Y"	
43	G065386	1.0 ft	Hose, .625ID cooling 100R6	
44	G065386	1.0 ft	Hose, .625ID cooling 100R6	
45	034339	4	Fitting, 90° elbow .625MNPT	
46	OL1832	2	Vaporizer, 325HP LPG	
47	G065386	1.0 ft	Hose, .625ID cooling 100R6	
48	G065386	1.0 ft	Hose, .625ID cooling 100R6	

ENGINE AND GENERATOR ASSEMBLY



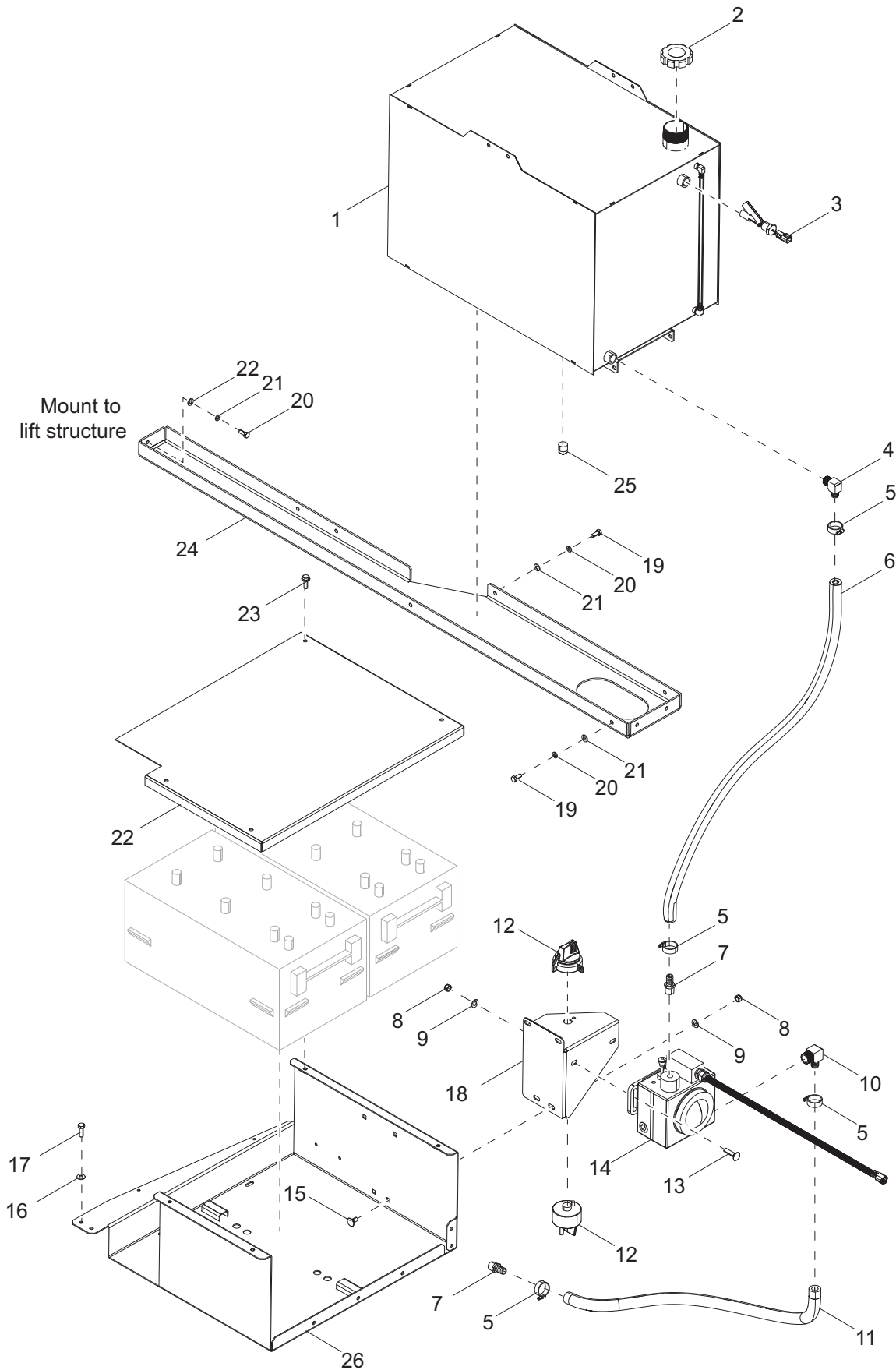
03590

ENGINE AND GENERATOR ASSEMBLY

Item	Part No.	Qty	Description	Notes
1	0L17220ST03	1	Weldment, generator box	
2	G022287	4	Screw, .250-20 x .750 hex, G5	
3	G047411	10	Screw, M6-1.00 x 16 hex, G8.8	
4	0L2939	1	Kit, paralleling LSA 47.2	
5	A0001619016	1	Assembly, generator, LSA 47.2	
6	0A7935	2	Screw, .625-11 x 2.250 hex, G8	
7	0A1646	2	Washer, M16 flat	
8	0J68740ST03	2	Bushing, WEG to RCA spacer	
9	0L4505	1	Mount, 90° turbo G30 - left	
10	0F19600135	20	Stud, M10 x 1.50 x 1.50 x 103, front cover	
11	0K1472	1	Engine, 21.9L G30 gaseous	
12	0L6289	1	Shield, exhaust manifold - left	
13	G023152	1	Screw, .375-16 x .750 hex, G5	
14	G046526	1	Washer M10 split lock	
15	G022131	1	Washer, .375 flat	
16	10000017753	1	Assembly, engine ground wire	
17	0A4456	1	Washer, .375 lock - special	
18	G069918	1	Nut, M12-1.25 hex, G5	
19	G049808	8	Washer, M12 flat	
20	G051769	4	Washer, M12 lock	
21	0L05920ST03	2	Mount, engine	
22	G075672	4	Screw, M12-1.25 x 40 hex, G8.8	
23	0L1564	1	Alternator, 24V 50A brush-less	
24	A0000946105	1	Spacer, .50ID x 1.00 OD x .75	
25	HW1020A37	3	Washer, M12 flat	
26	G060618	2	Screw, M10-1.5 x 130 hex, G8.8	
27	G022145	6	Washer, M8 flat	
28	G022129	6	Washer, M8 split lock	
29	G081990	6	Screw, M8-1.25 x 40 socket head, G8.8	
30	0L5543	1	Assembly, fan - variable pitch	
31	G042911	2	Screw, M10-1.5 x 30 hex, G8.8	
32	G070264	2	Washer, M10 flat	
33	0L24990ST03	1	Bracket, alternator mount	
34	G052646	2	Washer, M14 flat	
35	G043123	2	Washer, M14 split lock	
36	0C2287	2	Screw, M14-2.0 x 50 hex, G8.8	
37	0K62150ST03	1	Bracket, engine mount DC Alt	
38	A0001619015	1	Assembly, oil heater 21.9L 300W 120V	
39	0K5767	1	Shield, exhaust manifold - right	
40	0L1688	2	Assembly, coil pack G21.9 G30 - RH	0L1687 LH
41	0L1775	1	Spacer, flywheel SAE14	
42	0L1776	1	Spacer, flywheel housing	
43	G070264	20	Washer, M10 flat	
44	G046525	20	Nut, M10-1.25 hex, G8.8	
45	0L4506	1	Mount, 90° turbo G30 - right	
46	G066760	1	Sealant, strip 1/8 x 1.00	
47	0L17300ST03	1	Cover, generator box	

Note: Engine parts used in all Generac Mobile Products, LLC equipment carry the Original Equipment Manufacturer (OEM) warranty unless otherwise stated. OEM warranty parts must be purchased through an OEM dealer. Please contact Generac Mobile Products, LLC with questions

OIL RESERVOIR ASSEMBLY

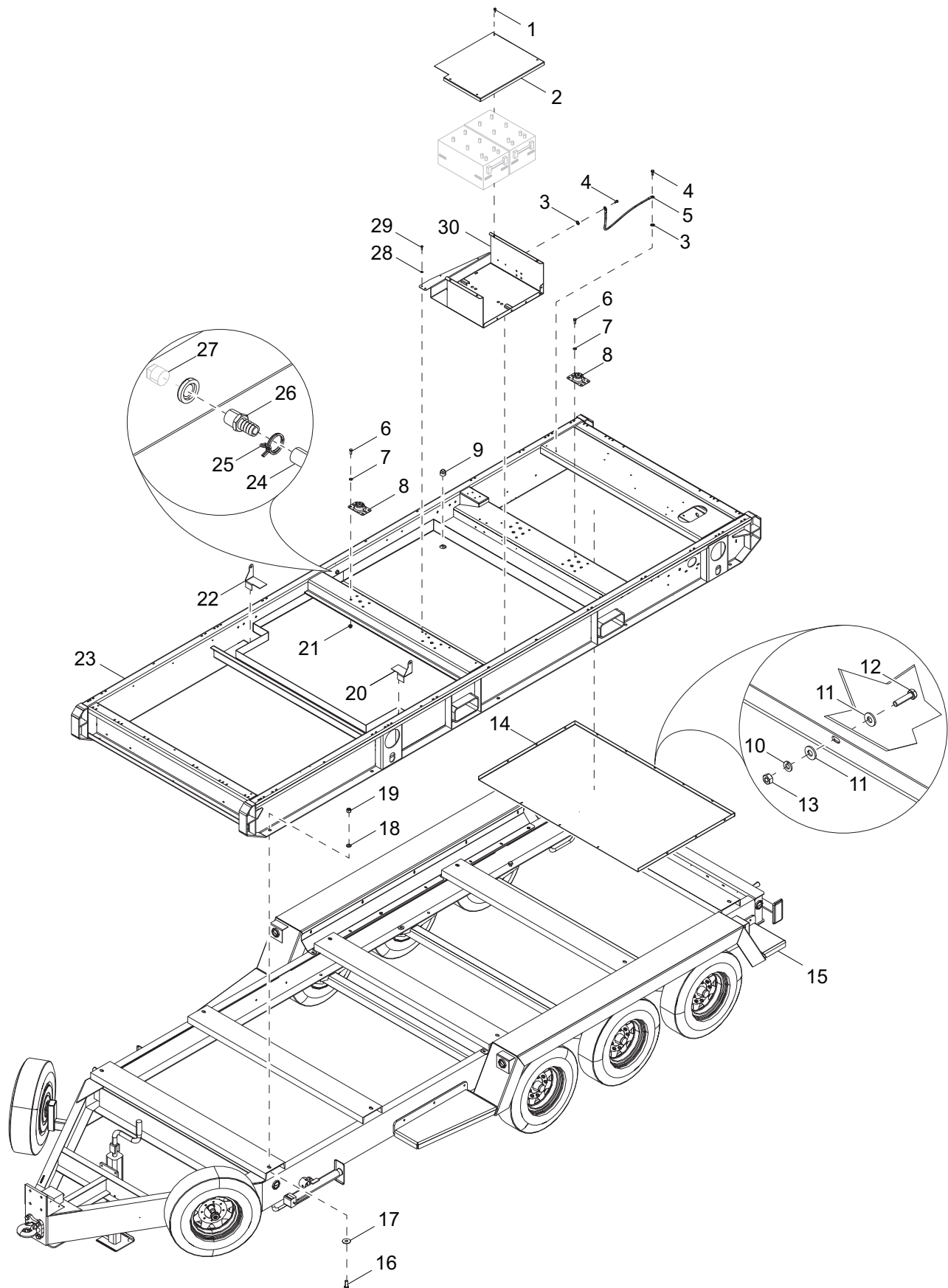


03591

OIL RESERVOIR ASSEMBLY

Item	Part No.	Qty	Description	Notes
1	A0000747239	1	Tank, oil storage 30 gallon	
2	EA0020A04	1	Cap, fuel fill 2.00 NPT	
3	A0000658272	1	Level sensor, float switch with terminal	
4	G056460	1	Fitting, 90° .500NPT x .625	
5	G035473	4	Clamp, hose #12 .500-1.25	
6	G065386	1	Hose, coolant .625ID 100R6	
7	G044118	2	Fitting, straight .500NPT x 625 barbed	
8	XY3816A12	4	Nut, .375-16 finished	
9	G022131	4	Washer, .375 flat	
10	0D7022	1	Fitting, 90° .750 x .625 barbed	
11	G065386	1	Hose, coolant .625ID 100R6	
12	0L1559	1	Switch, battery disconnect	
13	A0000681157	2	Screw, .375-16 x 1.50 carriage, G5	
14	A0000676889	1	Assembly, oil level controller	
15	A0000681160	4	Screw, .375-16 x 750 carriage, G5	
16	G022145	2	Washer, M8 flat	
17	G043107	6	Screw, M8-1.25 x 25 hex, G8.8	
18	A0000700623	1	Bracket, oil level controller	
19	G039253	8	Screw, M8-1.25 x 20 hex, G8.8	
20	G022129	8	Washer, M8 split lock	
21	G022145	8	Washer, M8 flat	
22	0L42020ST03	1	Cover, battery	
23	G043107	4	Screw, M8-1.25 x 25 hex, G8.8	
24	0L19600ST03	1	Bracket, oil tank	
25	G024310	1	Plug, .500NPT square head - steel	
26	0L12110ST03	1	Tray, battery	

TRAILER AND SKID ASSEMBLY

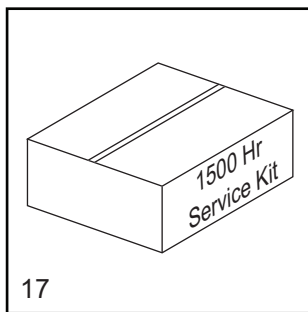
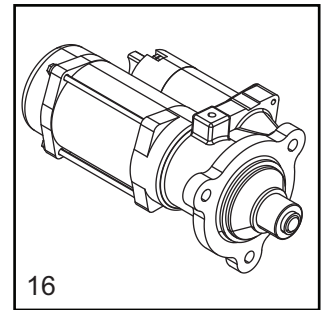
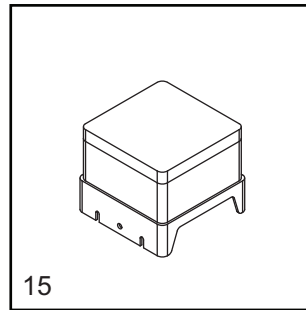
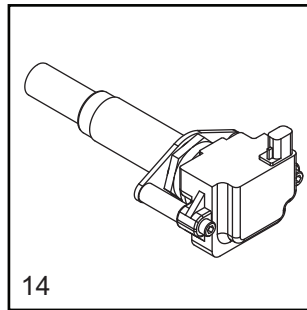
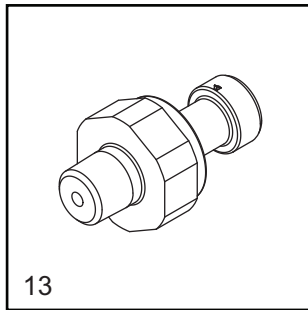
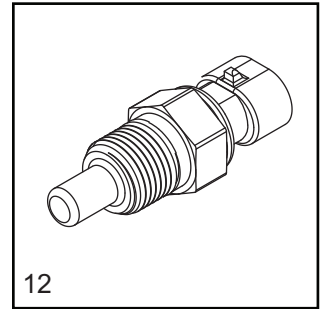
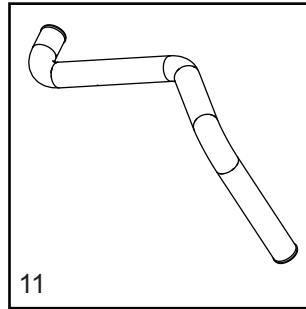
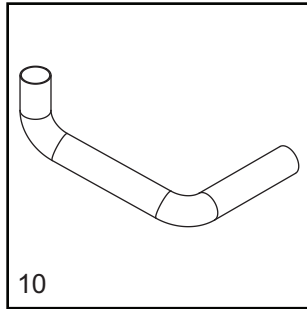
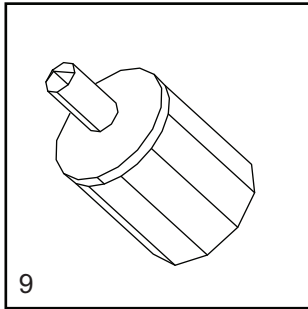
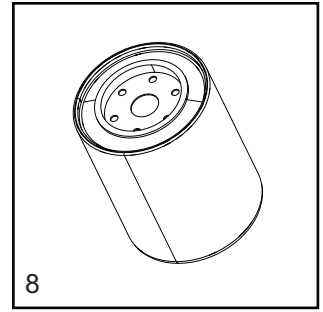
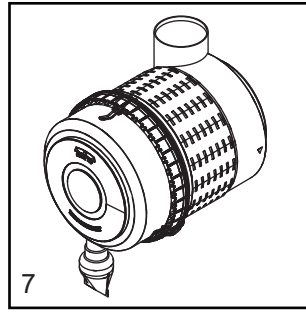
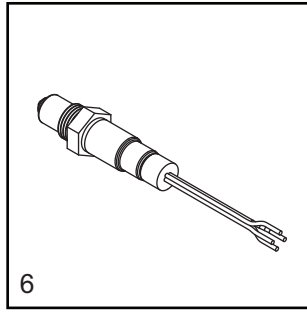
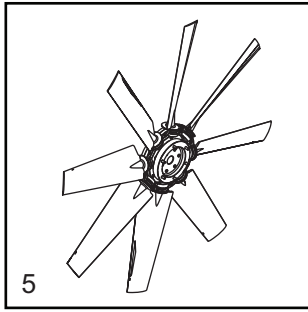
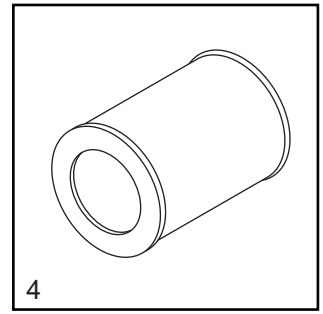
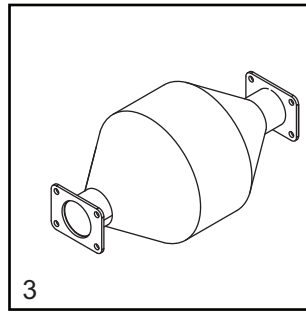
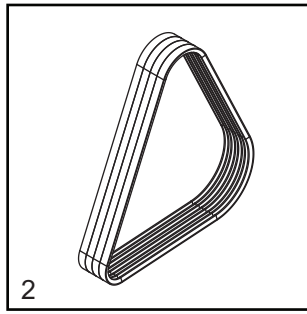
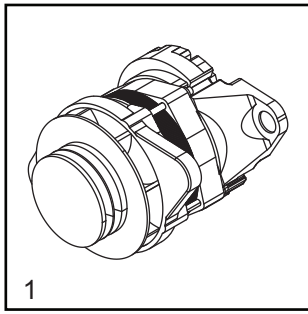


03592

TRAILER AND SKID ASSEMBLY

Item	Part No.	Qty	Description	Notes
1	G043107	4	Screw, M8-1.25 x 25 hex, G8.8	
2	0L42020ST03	1	Cover, battery	
3	0A4456	2	Washer, .375 lock	
4	G023152	2	Screw, .375-16 x .750 hex, G5	
5	10000017753	1	Assembly, ground wire 3/0 - 36.00	
6	G052645	16	Screw, M12-1.75 x 30 hex, G8.8	
7	G049808	32	Washer, M12 flat	
8	0F9119	4	Mount, vibration 3500 lb.	
9	G063831	1	Fitting, pipe plug 1.25 square	
10	G070005	13	Washer, M6 lock - SS	
11	G022473	26	Washer, M6-.250 flat - SS	
12	G045757	13	Screw, M6-1.0 x 25 hex, G8.8	
13	G070003	13	Nut, M6-1.0 hex, G8.8 - SS	
14	0L16220ST03	1	Panel, block off	
15	10000012242	1	Trailer, tri-axle	
16	0A7934	10	Screw, .625-11 x 1.75 hex, G8	
17	G049869	10	Washer, M16 flat	
18	0A1646	10	Washer, M16 flat	
19	G089743	10	Nut, .625-11 nylock	
20	0L20040ST03	1	Block-off, radiator RH	
21	G045773	16	Nut, M12-1.75 hex, G8	
22	0L20050ST03	1	Block-off, radiator	
23	0L12790ST03	1	Base frame, 21.9 COP	
24	G065386	1	Hose, coolant .625ID 100R6	
25	0G0015	1	Clamp, hose .875 OD double wire	
26	G044118	1	Fitting, straight .500NPT x .625 barb	
27	G024310	1	Fitting, pipe plug .500 square	
28	G022145	2	Washer, M8 flat	
29	G043107	9	Screw, M8-1.25 x 25 hex, G8.8	
30	0L12110ST03	1	Tray, battery	

RECOMMENDED SPARE PARTS - ENGINE AND SERVICE KITS



03593

RECOMMENDED SPARE PARTS - ENGINE AND SERVICE KITS

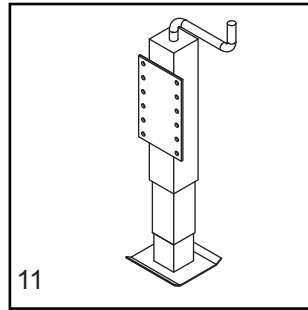
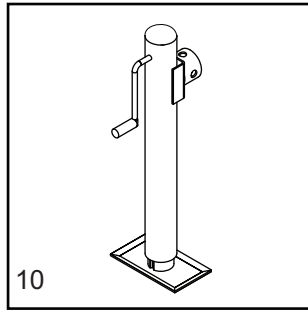
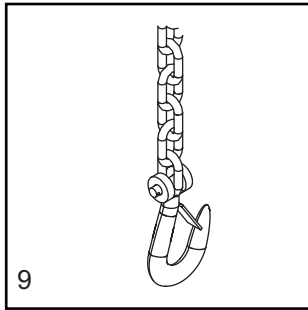
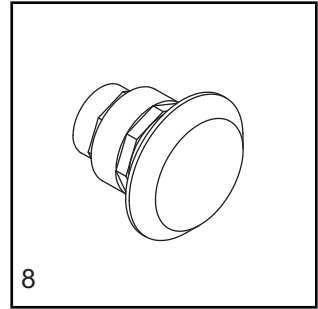
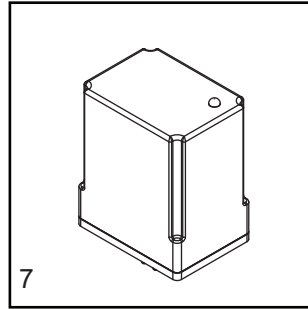
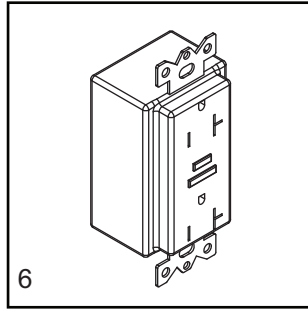
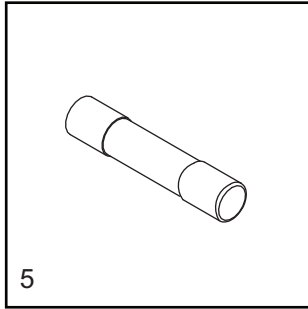
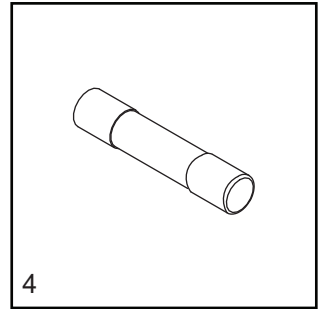
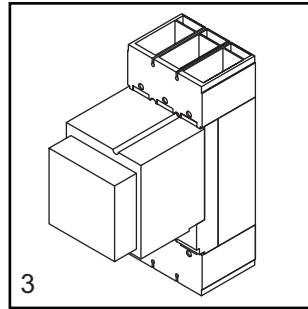
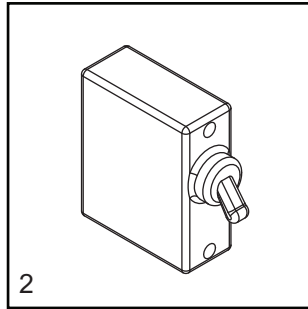
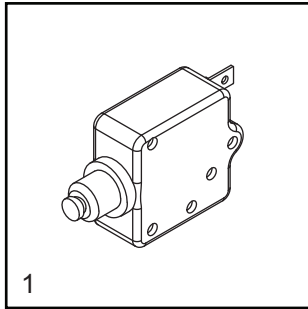
ENGINE

1. Alternator, engine.....	0L1564
2. V-Belt, fan	0L4816
3. Catalyst.....	0L1220A
4. Element, air filter.....	10000007610
5. Engine Fan	0L5543
6. O2 sensor.....	10000009951
7. Filter Assembly, air.....	A0000335245
8. Filter, oil	0L1912
9. Filter, LP.....	0L1871
10. Hose, radiator - lower	0C7870
11. Hose, radiator - upper	0K5438
12. Sensor, low coolant	0H1827
13. Sensor, oil pressure.....	0L1629
14. Ignition coil w/boot RH.....	0L1688
Ignition coil w/boot LH	0L1687
15. Switch, pressure	A0001619021
16. Starter	A0001784003

SERVICE KITS

17. 1500 hour kit.....	10000019864
------------------------	-------------

RECOMMENDED SPARE PARTS - ELECTRICAL AND TRAILER



RECOMMENDED SPARE PARTS - ELECTRICAL AND TRAILER

ELECTRICAL

1. Breaker, DC, 15A.....	35451
2. Breaker 20 AMP.....	CK0077A01
3. Breaker, SD, 400A, 3P, 600V AC.....	CK0070E74
4. Fuse, 10 amp.....	FU0066A04
5. Fuse, 5 amp.....	FU0066A00
6. Receptacle, 125V/20A GFI.....	WD1541A52
7. Regulator, voltage.....	EM0027A30
8. Switch, E-stop assembly.....	GZ061129F

TRAILER

9. Chain, safety.....	20159
10. Jack, side wind (rear).....	41133
11. Jack, top wind (tongue).....	24084B

Note: To order replacement controller, contact Generac Mobile Products with unit serial number.

Part No. A0000376418 Rev. C 09/08/2022

©2022 Generac Power Systems, Inc.
All rights reserved
Specifications are subject to change without notice.
No reproduction allowed in any form without prior written consent
from Generac Power Systems, Inc.



Generac Power Systems, Inc.
S45 W29290 Hwy. 59, Waukesha WI 53189
GeneracMobileProducts.com | 844-ASK-GNRC | 844-275-4672