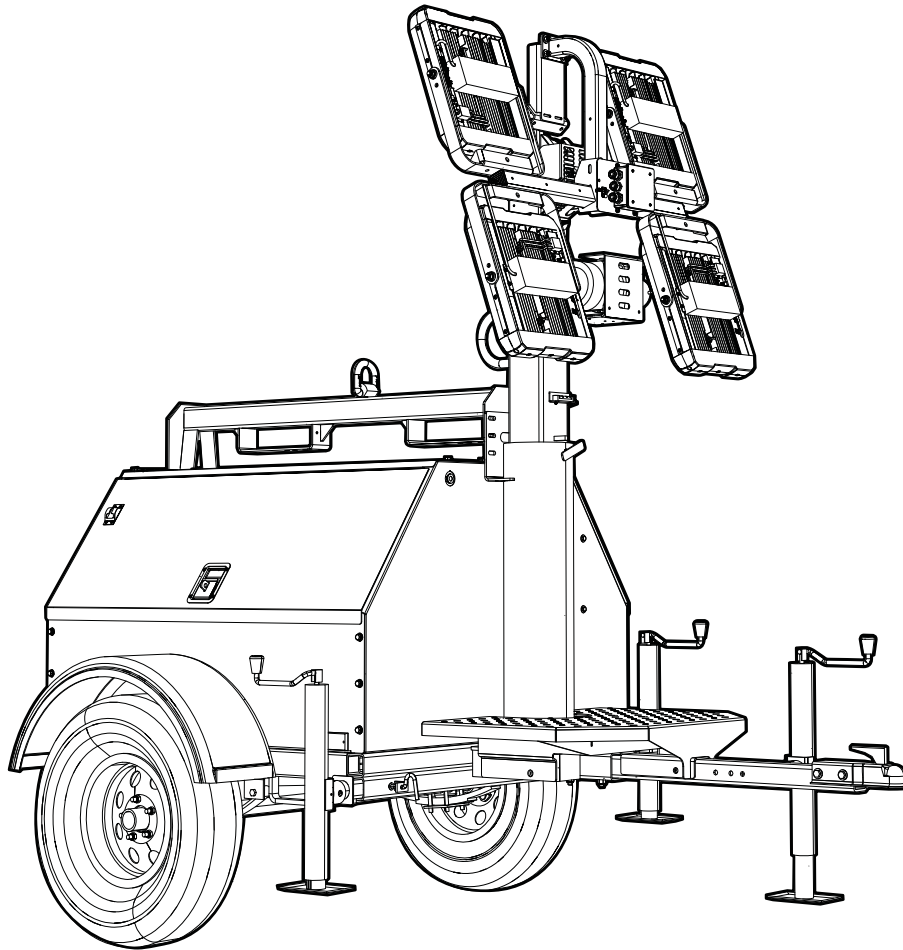


MLT4060/80MKV-LED

Diesel Light Tower Parts Manual



MODEL NUMBER: _____

SERIAL NUMBER: _____

DATE PURCHASED: _____

SAVE THIS MANUAL FOR FUTURE REFERENCE

 **WARNING**

CANCER AND REPRODUCTIVE HARM

www.P65Warnings.ca.gov.

(000393a)

 **WARNING**

Breathing diesel engine exhaust exposes you to chemicals known to the State of California to cause cancer and birth defects or other reproductive harm.

- Always start and operate the engine in a well-ventilated area.
- If in an enclosed area, vent the exhaust to the outside.
- Do not modify or tamper with the exhaust system.
- Do not idle the engine except as necessary.

For more information go to

www.P65Warnings.ca.gov/diesel.

(000394)

Introduction

This parts manual was prepared based on the information available at the time of publication and is subject to change without notice. Generac Mobile Products reserves the right to change parts at any time. To check whether a revised parts manual is available, contact Generac Mobile Products.

DO NOT MODIFY or use this equipment for any application other than which it was designed for. To keep your equipment fully operational, it is suggested you maintain a stock of commonly used maintenance or service parts. A recommended spare parts list can be found in the back of this manual. To order service parts, please go to www.generacmobileproducts.com or call Generac Mobile Products.



WARNING

Consult Manual. Read and understand manual completely before using product. Failure to completely understand manual and product could result in death or serious injury. (000100a)

WARNING

Environmental Hazard. Always recycle batteries at an official recycling center in accordance with all local laws and regulations. Failure to do so could result in environmental damage, death, or serious injury. (000228)

GENERAC MOBILE PRODUCTS LLC

215 Power Drive • Berlin, WI 54923 U.S.A.

Phone: 920-361-4442

FAX: 920-361-4416

Toll Free: 1-800-926-9768

www.generacmobileproducts.com

For technical or parts QUESTIONS, contact Generac Mobile Products Technical Service at 1-800-926-9768.

Engine Make: _____

Engine Serial Number: _____

Engine Model Number: _____

This Page Intentionally Left Blank

Table of Contents

Introduction	iii
Parts Manual Instructions	1
Unit Decals - Exterior	2
Unit Decals - Left Side Interior	4
Unit Decals - Right Side Interior	6
Mast, Junction Box and Lights to Unit	8
LED Light Assembly	10
Mast Junction Box Assembly	12
Mast Assembly	14
Mast Assembly - Bottom Post	16
Roof and Doors to Unit	18
Front, Rear, and Side Panels to Unit	20
Mast Switch Box Assembly	22
Control Box to Unit	24
Control Box Assembly	26
Control Panel Assembly	28
Control Box Assembly - PowerZone (If Equipped)	30
Control Panel Assembly - PowerZone (If Equipped)	32
Cooling System Assembly	34
Engine and Generator to Unit	36
Engine Assembly - Mitsubishi Left Side	38
Engine Assembly - Mitsubishi Right Side	40
Engine Assembly - Kubota Left Side	42
Engine Assembly - Kubota Right Side	44
Generator Assembly	46
Fuel Tank to Unit	48
Trailer Assembly	50
Trailer - Hitch Options	52
Axle Assembly	54
Recommended Spare Parts - Engine and Service Kits - Mitsubishi	56
Recommended Spare Parts - Engine and Service Kits - Kubota	58
Recommended Spare Parts - Electrical	60
Recommended Spare Parts - Misc	62

Parts Manual Instructions

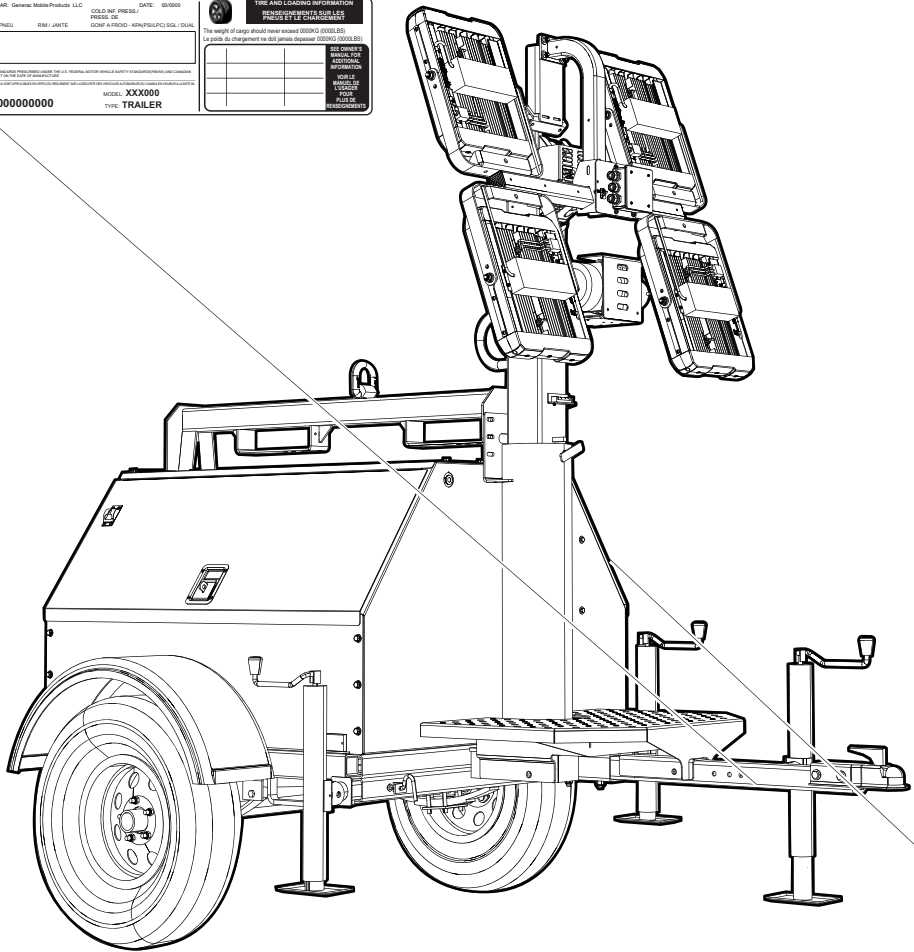
Product illustrations are only representations. Products supplied may vary from the illustrations in this parts manual. Parts not shown in the illustration are indicated by a double dash (--) in the item column.

Please be prepared to provide the following information when ordering replacement parts: model number, serial number (on unit serial tag), part number, purchase order number (if applicable), shipping address, shipping method.

Refer to the illustration below to locate the unit ID tag and Vehicle Identification Number (VIN) tag on the unit. Important information, such as the unit serial number, model number, VIN and tire loading information are found on these tags. Record the information from these tags so it is available if the tags are lost or damaged. When ordering parts or requesting assistance, you may be asked to provide this information.

VIN Tag

MANUFACTURED BY FABRIQUE MOB: Generac Mobile Products LLC		DATE: 06/08/20	TIRE AND LOADING INFORMATION PERSEPOLIS/EMPIRE'S SELECT PERISS S.R.L. (CHIAMATA)
COUNTRYPAN: 00000 (00000000)		COLLETTI PREZZI: /	
DRIVER (PANEL)	TRAIL (PANEL)	FOR (PANEL)	The weight of cargo should never exceed 000000 (000000 LB) In units of chargement to 000 (000000) (000000 LB)
VIN: 00000000000000000000		MODEL: XXX000	SEE ORIGINAL MANUAL FOR ADDITIONAL INFORMATION FOR USE OF THIS EQUIPMENT
TYPE: TRAILER			

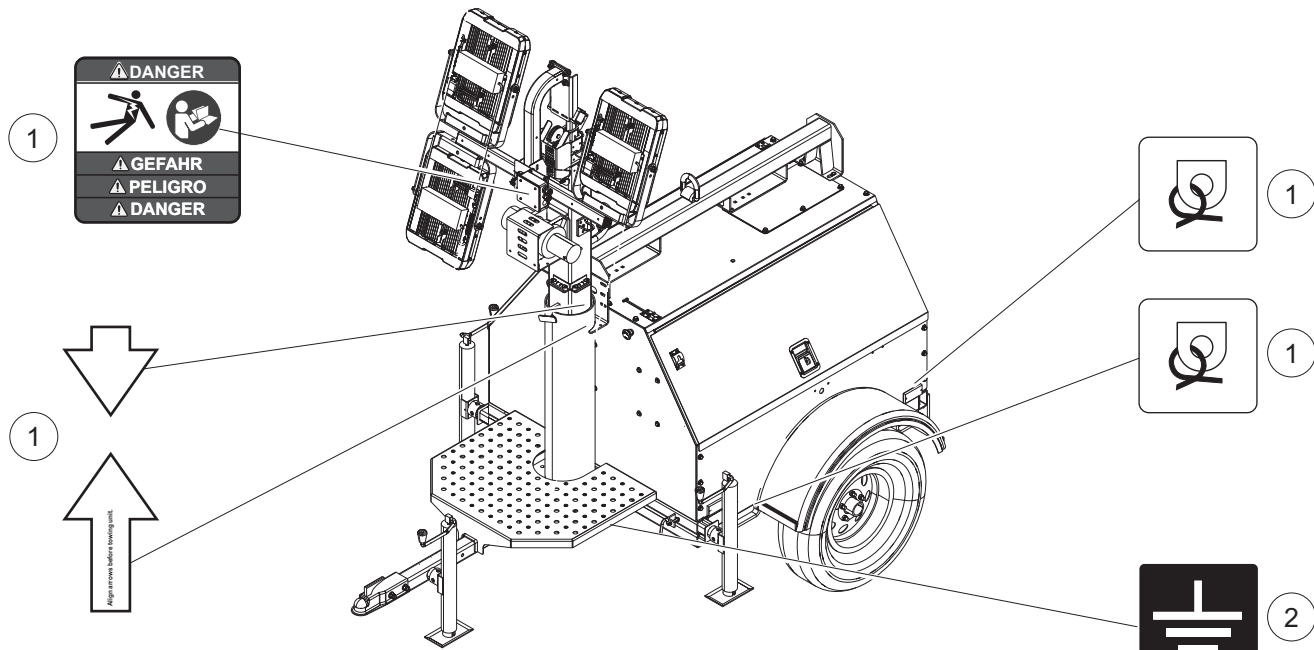


*Unit ID Tag
Located on inside
of front panel*

Manufactured by Generac Mobile Products LLC			
(000) 361-4442	(000) 300-9700		
Country of Origin	Model	Serial Number	
Manufacturing Code	Height (Inch)	APM/Frequency	
Rating			
KVA	1.0k - 1.99k	2.0k - 2.99k	3.0k - 3.99k
V			
A			
Ins. Class			

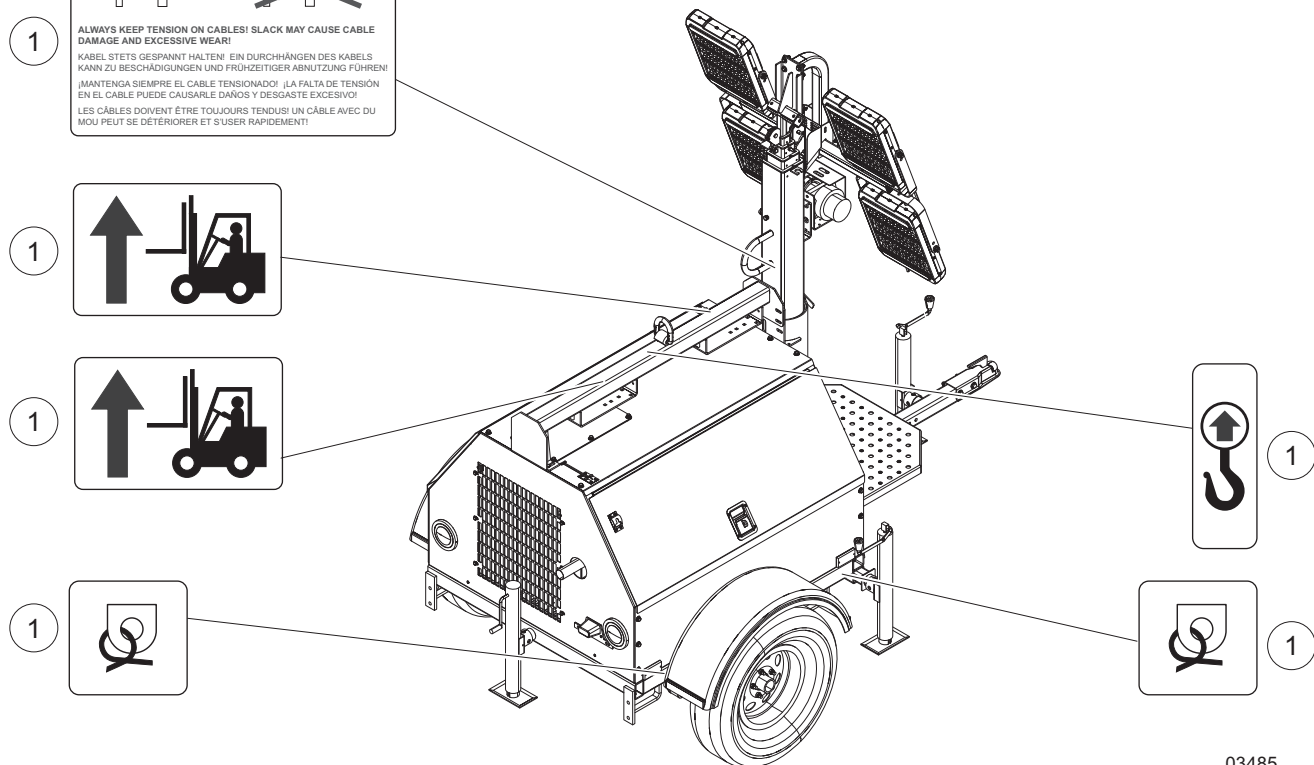
03484

UNIT DECALS - EXTERIOR



	TOWING INSTRUCTIONS 1. Read operator's manual. 2. Use hitch rated for trailer's "gross vehicle weight rating". 3. Securely attach trailer to tow vehicle. 4. Attach safety chains using a cross pattern. 5. Attach breakdown chain to vehicle. 6. Check trailer lights.	ABSCHLEPPANWEISUNGEN 1. Benutzerhandbuch lesen. 2. Anhängervorrichtung verwenden, die der "Gesamtbetriebsgewichtsklasse" des Fahrzeuges entspricht. 3. Anhänger sicher am Abschleppfahrzeug befestigen. 4. Sicherheitsketten über Kreuz anbringen. 5. Anreißkette am Fahrzeug anbringen. 6. Anhängerleuchten prüfen.	INSTRUCCIONES PARA REMOLQUE 1. Lea el manual del operador. 2. Use un enganche adecuado para la "capacidad de peso bruto del vehículo" del remolque. 3. Enganche firmemente el remolque al vehículo de remolque. 4. Enganche las cadenas de seguridad en forma cruzada. 5. Enganche al vehículo la cadena de emergencia para averías. 6. Revise las luces del remolque.	INSTRUCTIONS DE REMORQUAGE 1. Lire le manuel de l'utilisateur. 2. Utiliser un attelage convenant au poids nominal brut de la remorque. 3. Accrocher solidement la remorque au véhicule tracteur. 4. Poser les chaînes de sécurité en les croisant. 5. Fixer la chaîne de remorquage au véhicule. 6. Vérifier les feux de la remorque.
--	--	---	---	--

ALWAYS KEEP TENSION ON CABLES! SLACK MAY CAUSE CABLE DAMAGE AND EXCESSIVE WEAR!
 KABEL STETS GESpanNT HALTEN! EIN DURCHHÄNGEN DES KABELS KANN ZU BESCHÄDIGUNGEN UND FRÜHZEITIGER ABNUTZUNG FÜHREN!
 (MANTENGA SIEMPRE EL CABLE TENSIONADO! LA FALTA DE TENSION EN EL CABLE PUEDE CAUSARLE DAÑOS Y DESGASTE EXCESIVO!)
 LES CÂBLES DOIVENT ÊTRE TOUJOURS TENDUS! UN CÂBLE AVEC DU MOU PEUT SE DÉTÉRIORER ET S'USER RAPIDEMENT!



03485

UNIT DECALS - EXTERIOR

Item	Part No.	Qty	Description	Notes
1	33953	1	Decal, safety	
2	12142	1	Decal, ground	

UNIT DECALS - LEFT SIDE INTERIOR

⚠ DANGER

⚠ GEFAHR

⚠ PELIGRO

⚠ DANGER

⚠ WARNING

⚠ WARNUNG

⚠ ADVERTENCIA

⚠ AVERTISSEMENT

⚠ WARNING

⚠ WARNUNG

⚠ ADVERTENCIA

⚠ AVERTISSEMENT

⚠ DANGER

Contact with overhead electrical power lines will cause serious injury or death. Do not position light tower under electrical power lines.

⚠ GEFAHR

Der Kontakt mit elektrischen Hochspannungsleitungen kann zu schweren oder lebensgefährlichen Verletzungen führen. Den Beleuchtungswagen nie direkt unter Hochspannungsleitungen aufstellen.

⚠ PELIGRO

El contacto con las líneas eléctricas elevadas podría causar lesiones serias o la muerte. No posicione la torre de iluminación debajo de líneas eléctricas.

⚠ DANGER

Le contact avec des câbles électriques suspendus causera des blessures graves ou la mort. Ne pas positionner la tour lumineuse sous des câbles électriques.

⚠ WARNING

Do not set up unit in high wind or during electrical storms! Check for overhead obstructions before using!

⚠ WARNING

Die Einheit nicht bei hohem Wind oder bei Gewittern einrichten! Vor Gebrauch auf über Kopf befindliche Hindernisse achten!

⚠ ADVERTENCIA

¡No monte la unidad si hay viento fuerte ni durante tormentas eléctricas! ¡Revise las obstrucciones elevadas antes de usarla!

⚠ AVERTISSEMENT

Ne pas installer l'appareil par vents violents ou lorsqu'il y a un orage! Vérifier l'absence d'obstacles en hauteur avant l'utilisation!

ENGINE OPERATION / MOTORBETRIEB / FUNCIONAMIENTO DEL MOTOR / FONCTIONNEMENT DU MOTEUR:

1 BEFORE STARTING THE ENGINE / VOR DEM STARTEN DES MOTORS / ANTES DE ENCENDER EL MOTOR / AVANT DE FAIRE DEMARRER LE MOTEUR:

1. CHECK FUEL LEVEL. (FUEL TANK FULL) / FUEL NIVEAU ÜBERPRÜFEN. (TANK VOLL) / VERIFIER LE NIVEAU D'ESSENCE. (RESERVOIR PLEIN) / VÉRIFIER LE NIVEAU DES RÉSERVANTS.

2. CHECK ENGINE OIL LEVEL. (OIL FULL) / OIL NIVEAU ÜBERPRÜFEN. (ÖL VOLL) / VERIFIER LE NIVEAU D'HUILE DU MOTEUR. (HUILE PLEINE) / VÉRIFIER LE NIVEAU DE L'HUILE DU MOTEUR.

3. CHECK COOLANT LEVEL. (COOLANT FULL) / KÜHLFLÜSSIGKEIT ÜBERPRÜFEN. (KÜHLFLÜSSIGKEIT VOLL) / VÉRIFIER LE NIVEAU DE LIQUIDE DE REFRIGÉRATION.

4. MAKE SURE MAIN CIRCUIT BREAKER IS OFF. (CIRCUIT BREAKER OFF) / SICHERN SICH DAS DER HAUPTTRENNSCHALTER AUSGESCHALTET IST. (TRENNSCHALTER AUS) / ASSURER SE QUE EL CORTACIRCUITOS PRINCIPAL ESTE APAGADO. (CORTACIRCUITOS PRINCIPAL DESACTIVADO).

2 ALL CIRCUIT BREAKERS OFF! / ALLE TRENNSCHALTER SIND AUSGESCHALTET! / (TODOS LOS CORTACIRCUITOS ESTÁN APAGADOS) / TOUS LES DISJONCTEURS DU CIRCUIT SONT DÉSACTIVÉS!

3 START ENGINE / MOTOR STARTEN / ENCIENDA EL MOTOR / FAIRE DEMARRER LE MOTEUR:

ACTIVATE GLOW PLUGS (KÜHLPLUGG AUFHEBEN / ACTIVER LES BOUGIES DE PRÉCHAUFFAGE)

CRANK ENGINE TO START (MOTOR DREHEN BIS ZUM START) / SOUS-TOURNER LE MOTEUR JUSQU'À LA MARCHE

RELEASE KEY (SICHERHEITSSCHLÜSSEL LOSLASSEN) / RELÂCHER LA CLÉ

4 TURN CIRCUIT BREAKERS ON / TRENNSCHALTER EINSCHALTEN / (TODOS LOS CORTACIRCUITOS ESTÁN APAGADOS) / ACTIVER LES DISJONCTEURS DU CIRCUIT

SHUT DOWN / AUSSCHALTEN / APAGUE / ÉTEINDRE

5 ALL CIRCUIT BREAKERS OFF! / ALLE TRENNSCHALTER SIND AUSGESCHALTET! / (TODOS LOS CORTACIRCUITOS ESTÁN APAGADOS) / TOUS LES DISJONCTEURS DU CIRCUIT SONT DÉSACTIVÉS!

6 STOP ENGINE / MOTOR STOPPEN / DETENGA EL MOTOR / ÉTEINDRE LE MOTEUR

⚠ WARNING

Read and understand the supplied operator's manual before operating this machine. Failure to do so increases the risk of injury to yourself or others.

⚠ WARNUNG

Vor dem Betrieb dieser Maschine muss das Bedienerhandbuch gelesen und verstanden worden sein. Ein Unterlassen erhöht das eigene Verletzungsrisiko und das anderer.

⚠ ADVERTENCIA

Lea y asegúrese de comprender el manual del operador proporcionado antes de operar esta máquina. De lo contrario, aumentará el riesgo de lesiones a usted y a otras personas.

⚠ AVERTISSEMENT

Lire et comprenez le manuel de l'utilisateur fourni avec l'appareil avant de l'utiliser. L'omission de le faire augmente le risque de blessure pour vous et pour les autres.

⚠ WARNING

⚠ WARNUNG

⚠ ADVERTENCIA

⚠ AVERTISSEMENT

NOTICE

REPLACE ENGINE OIL FILTER AFTER INITIAL 50 HOUR BREAK-IN WITH FILTER PART NUMBER: 1000014392

UNIT DECALS - LEFT SIDE INTERIOR

Item	Part No.	Qty	Description	Notes
1	33953	1	Decal, safety	
2	10000014196	1	Decal, 50 hour oil filter	

UNIT DECALS - RIGHT SIDE INTERIOR

1

WARNING
WARNUNG
ADVERTENCIA
AVERTISSEMENT

1

⚠ DANGER
⚠ GEFAHR
⚠ PELIGRO
⚠ DANGER

1

⚠ DANGER
⚠ GEFAHR
⚠ PELIGRO
⚠ DANGER

DIESEL

3

ULTRA LOW SULFUR FUEL ONLY

S≤15 mg/kg

NOTICE

Lamp glass can be damaged by road debris from towing vehicle and other vehicles. To prevent lamp damage, face lamp glass backwards during transport.

HINWEIS
AVISO
AVIS

1

1

⚠ WARNING
⚠ WARNUNG
⚠ ADVERTENCIA
⚠ AVERTISSEMENT

⚠ WARNING
Do not move unit with tower up!

⚠ WARNING
Die Einheit nicht mit ausgefahrenem Turm transportieren!

⚠ ADVERTENCIA
¡No mueva la unidad con la torre elevada!

⚠ AVERTISSEMENT
Ne pas déplacer l'appareil si la tour est à pleine hauteur!

1

1

⚠ WARNING
⚠ WARNUNG
⚠ ADVERTENCIA
⚠ AVERTISSEMENT

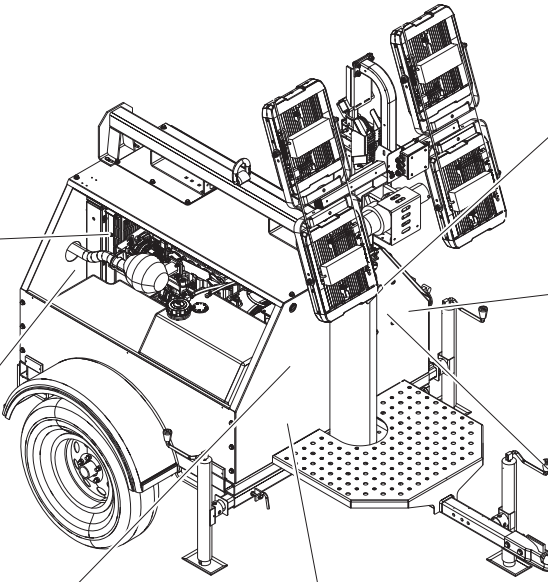
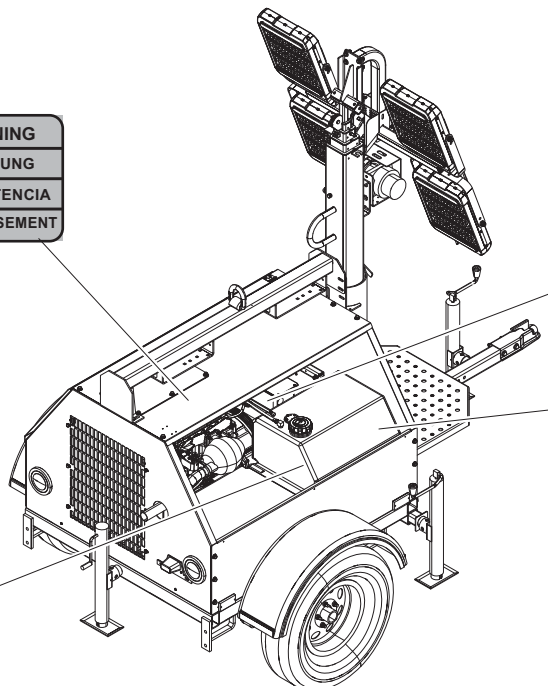
TO RAISE MAST:

1. Lower mast to lowest position. Turn off combined chockles.
2. Release chockles from mast and engage chockles.
3. STOP! Do not touch mast or engine!
4. Engage mast control switch on mast (C).
5. Engage mast control switch on mast (D).
6. Engage mast control switch on mast (E).
7. Engage mast control switch on mast (F).
8. Engage mast control switch on mast (G).
9. Engage mast control switch on mast (H).
10. Engage mast control switch on mast (I).
11. Engage mast control switch on mast (J).
12. Engage mast control switch on mast (K).
13. Engage mast control switch on mast (L).
14. Engage mast control switch on mast (M).
15. Engage mast control switch on mast (N).
16. Engage mast control switch on mast (O).
17. Engage mast control switch on mast (P).
18. Engage mast control switch on mast (Q).
19. Engage mast control switch on mast (R).
20. Engage mast control switch on mast (S).
21. Engage mast control switch on mast (T).
22. Engage mast control switch on mast (U).
23. Engage mast control switch on mast (V).
24. Engage mast control switch on mast (W).
25. Engage mast control switch on mast (X).
26. Engage mast control switch on mast (Y).
27. Engage mast control switch on mast (Z).

TO LOWER THE MAST:

1. Lower mast to lowest position. Turn off combined chockles.
2. Release chockles from mast and engage chockles.
3. STOP! Do not touch mast or engine!
4. Engage mast control switch on mast (C).
5. Engage mast control switch on mast (D).
6. Engage mast control switch on mast (E).
7. Engage mast control switch on mast (F).
8. Engage mast control switch on mast (G).
9. Engage mast control switch on mast (H).
10. Engage mast control switch on mast (I).
11. Engage mast control switch on mast (J).
12. Engage mast control switch on mast (K).
13. Engage mast control switch on mast (L).
14. Engage mast control switch on mast (M).
15. Engage mast control switch on mast (N).
16. Engage mast control switch on mast (O).
17. Engage mast control switch on mast (P).
18. Engage mast control switch on mast (Q).
19. Engage mast control switch on mast (R).
20. Engage mast control switch on mast (S).
21. Engage mast control switch on mast (T).
22. Engage mast control switch on mast (U).
23. Engage mast control switch on mast (V).
24. Engage mast control switch on mast (W).
25. Engage mast control switch on mast (X).
26. Engage mast control switch on mast (Y).
27. Engage mast control switch on mast (Z).

2



⚠ WARNING
BREATHING DIESEL ENGINE EXHAUST EXPOSES YOU TO CHEMICALS KNOWN TO THE STATE OF CALIFORNIA TO CAUSE CANCER AND BIRTH DEFECTS OR OTHER REPRODUCTIVE HARM.

1. ALWAYS START AND OPERATE THE ENGINE IN A WELL-VENTILATED AREA.
2. IF IN AN ENCLOSED AREA, VENT THE EXHAUST TO THE OUTSIDE.
3. DO NOT MODIFY OR TAMPER WITH THE EXHAUST SYSTEM.
4. DO NOT FUEL THE ENGINE EXCEPT AS NECESSARY.
5. FOR MORE INFORMATION, GO TO WWW.PESAWARNINGS.CA.GOV/DIESEL.

⚠ ADVERTENCIA
RESPIRAR EL ESCAPE DEL MOTOR DIESEL LO EXPONE A SUSTANCIAS QUÍMICAS QUE EL ESTADO DE CALIFORNIA RECONOCE COMO CAUSANTES DE CÁNCER Y DEFECTOS CONGÉNITOS U OTROS DAÑOS REPRODUCTIVOS.

1. SIEMPRE ARRANQUE Y OPERE EL MOTOR EN UN ÁREA BIEN VENTILADA.
2. SI ESTÁ EN UN ÁREA CERRADA, VENTILE EL ESCAPE HACIA EL EXTERIOR.
3. NO MODIFIQUE NI ALTERE EL SISTEMA DE ESCAPE.
4. NO HAGA FUNCIONAR EL MOTOR EN VALENTÍN, EXCEPTO SEGÚN SEA NECESARIO.
5. PARA OBTENER MÁS INFORMACIÓN, VISITE WWW.PESAWARNINGS.CA.GOV/DIESEL.

⚠ AVERTISSEMENT
L'INHALATION DES GAZ D'ÉCHAPPEMENT D'UN MOTEUR DIESEL VOUS EXPOSE À DES SUBSTANCES QUE L'ÉTAT DE CALIFORNIE RECONNAÎT RESPONSABLES DE CANCER ET DE MALFORMATIONS CONGÉNITALES OU D'AUTRES ANOMALIES DE LA REPRODUCTION.

1. TOUJOURS DÉMARRER ET FAIRE FONCTIONNER LE MOTEUR DANS UN ENDROIT BIEN AÉRÉ.
2. S'IL EST DANS UN ENDROIT FERMÉ, ÉVACUER L'ÉCHAPPEMENT VERS L'EXTÉRIEUR.
3. NE PAS MODIFIER NI ALTERER LE SYSTÈME D'ÉCHAPPEMENT.
4. NE PAS LAISSER LE MOTEUR TOURNER À VIDE PLUS QU'IL EST NÉCESSAIRE.
5. POUR PLUS D'INFORMATION, ALLER À WWW.PESAWARNINGS.CA.GOV/DIESEL.

1690028548

1

⚠ WARNING
Ultraviolet radiation from lamp can cause serious skin and eye irritation. Use only with provided ultraviolet lens cover and filter.

⚠ WARNING
Die ultraviolette Strahlung der Lampe kann zu schweren Haut- und Augenreizungen führen. Nur zusammen mit der mitgelieferten, ultraviolettbeständigen Objektivhaube und -vorrichtung verwenden.

⚠ ADVERTENCIA
La radiación ultravioleta de la linterna puede irritar gravemente los ojos y la piel. Utilice sólo con la cubierta y el accesorio para linterna no dañados que se proporcionan.

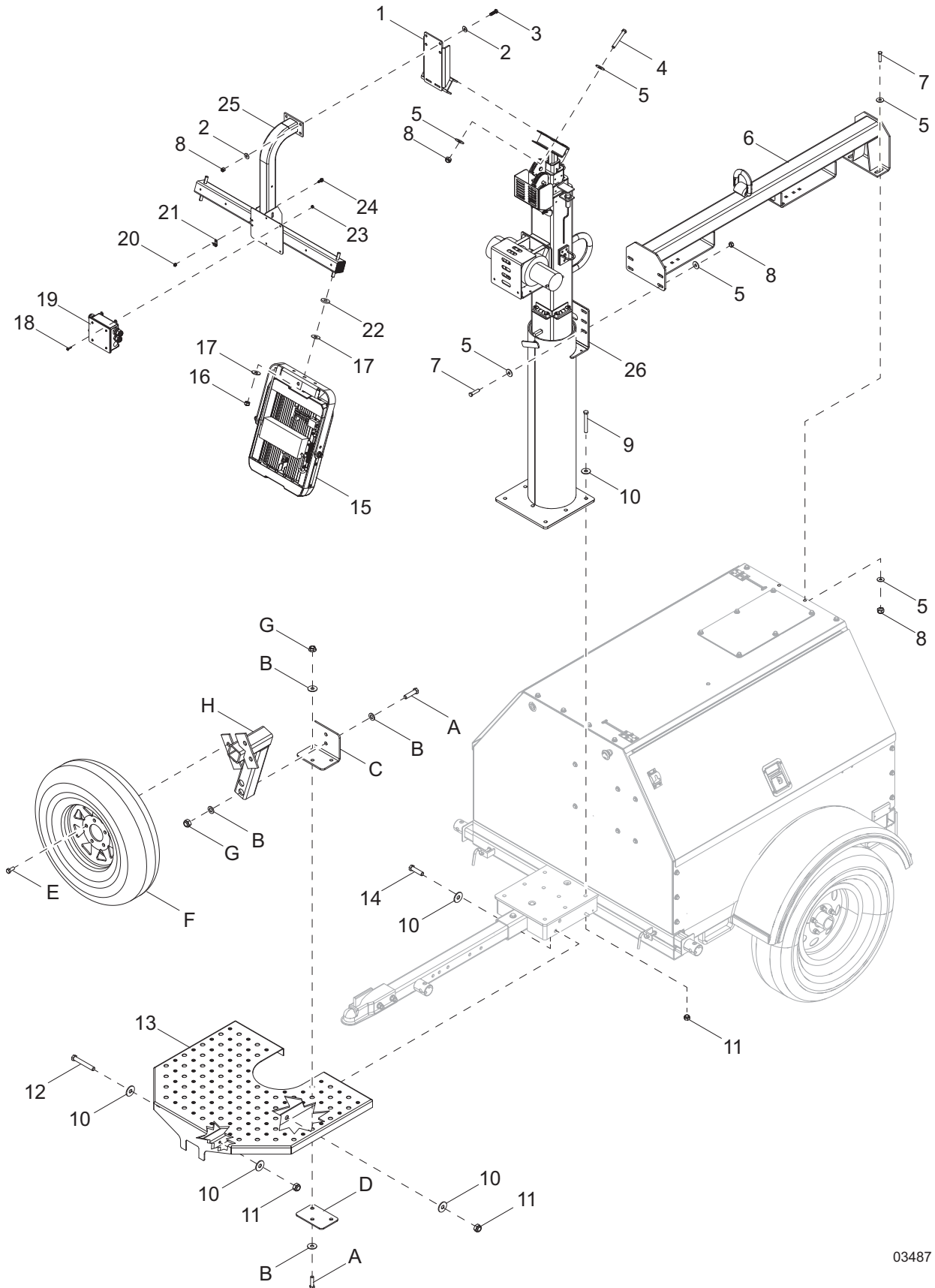
⚠ AVERTISSEMENT
Les rayons UV de la lampe peuvent causer de fortes irritations de la peau et des yeux. Utilisez toujours les protections et accessoires pour lampes ultraviolettes fournies.

4

UNIT DECALS - RIGHT SIDE INTERIOR

Item	Part No.	Qty	Description	Notes
1	33953	1	Decal, safety	
2	33301	1	Decal, mast set-up	
3	27433	1	Decal, ultra-low sulfur	
4	10000038540	1	Decal, Prop 65	

MAST, JUNCTION BOX AND LIGHTS TO UNIT



03487

MAST, JUNCTION BOX AND LIGHTS TO UNIT

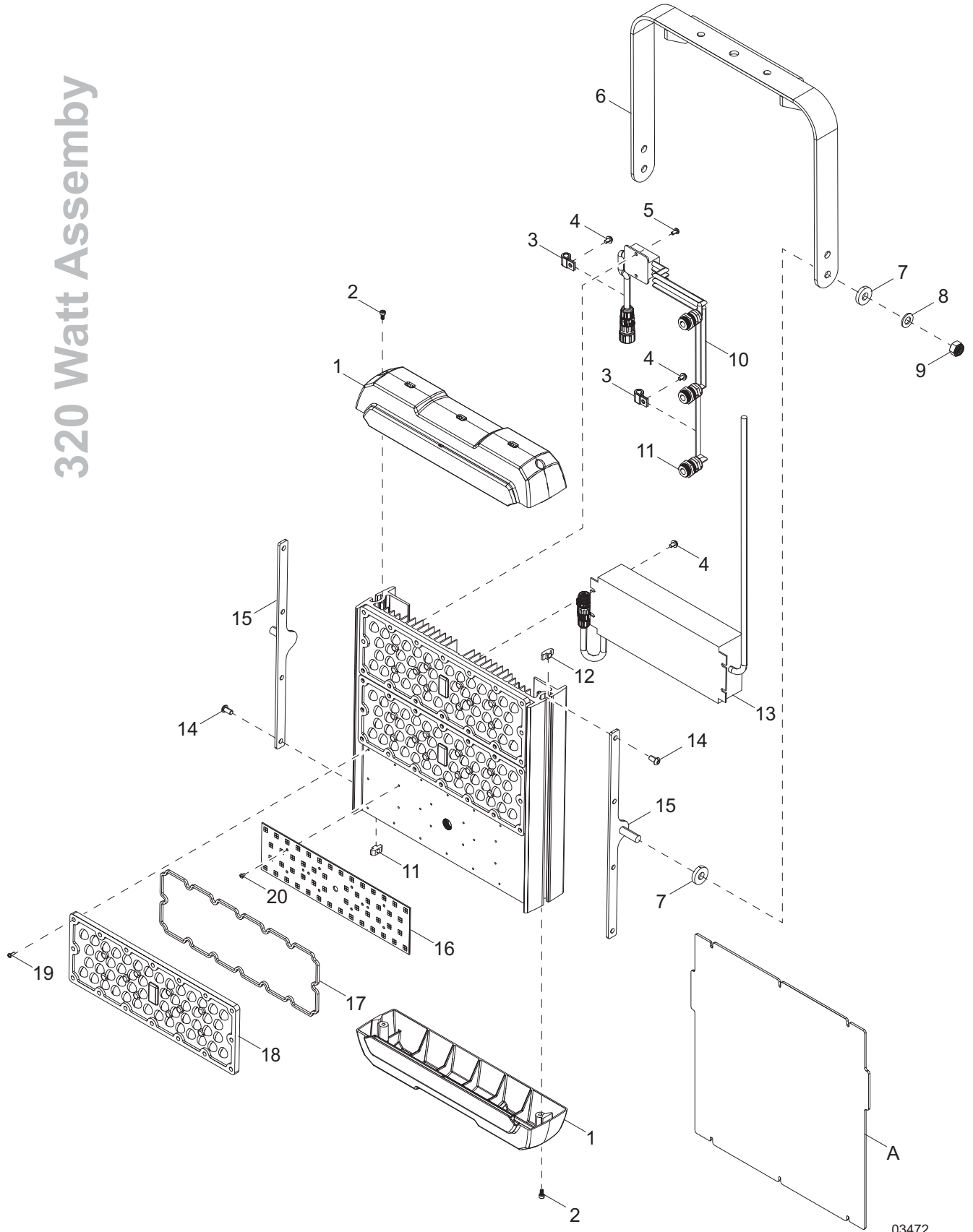
Item	Part No.	Qty	Description	Notes
1	A0001214585	1	Weldment, mast crossbar adapter	
2	60386	8	Washer, .375 flat .993/.064	
3	60352	4	Screw, .375-16 x 1.125 standard hex, G5	
4	60753	2	Screw, .375-16 x 3.5 standard hex, G5	
5	60698	12	Washer, .375 flat .875/.040, SS	
6	A0001214536	1	Weldment, lift support - vertical mast	
7	61036	4	Screw, .375-16 x 1.25 standard hex, SS	
8	60358	10	Nut, .375-16 nylock, G5	
9	60683	6	Screw, .500-13 x 1.50 standard hex, SS	
10	60309	12	Washer, .500 flat 1.060/.090	
11	62221	9	Nut, .500-13 nylock, G5	
12	50215	2	Screw, .500-13 x 4.0 standard hex, G5	
13	33234B	1	Weldment, step platform	
14	60388	2	Screw, .500-13 x 1.50 standard hex, G5	
15	A0000948785	4	Assembly, light	
16	60305	4	Nut, M12-1.75 nylock, G8	
17	A0000221212	8	Washer, flat M12 x 37OD x 1.50 - nylon	
18	60062	4	Screw, 10-32 x .750 pan Phillips, G2	
19	A0001533483	1	Assembly, mast junction box	
20	60787	1	Nut, .250-20 nylock - SS	
21	60375	1	Clamp, tubing .312 light duty	
22	G052259	4	Washer, M12 flat	
23	60061	4	Nut, 10-32 nylock	
24	60107	1	Screw, .250-20 x .750 serrated flange hex, G5	
25	A0000199129	1	Weldment, mast crossbar	
26	A0001533493	1	Assembly, mast	

Page 8

Spare Tire: (if equipped)

A	60388	5	Screw, .500-13 x 1.50 standard hex, G5
B	60309	10	Washer, .500 flat 1.060/.090
C	35030B	1	Bracket, spare tire holder
D	35031B	1	Plate, spare tire holder
E	60096	5	Nut, .500-20 lug, G5
F	15976	1	Wheel, ST175/80D13, 1360 lb
G	62221	5	Nut, .500-13 nylock, G5
H	10734B	1	Weldment, spare tire holder
J	69601	1	Lug, locking
K	51779	1	Plate, end cap

320 Watt Assembly



03472

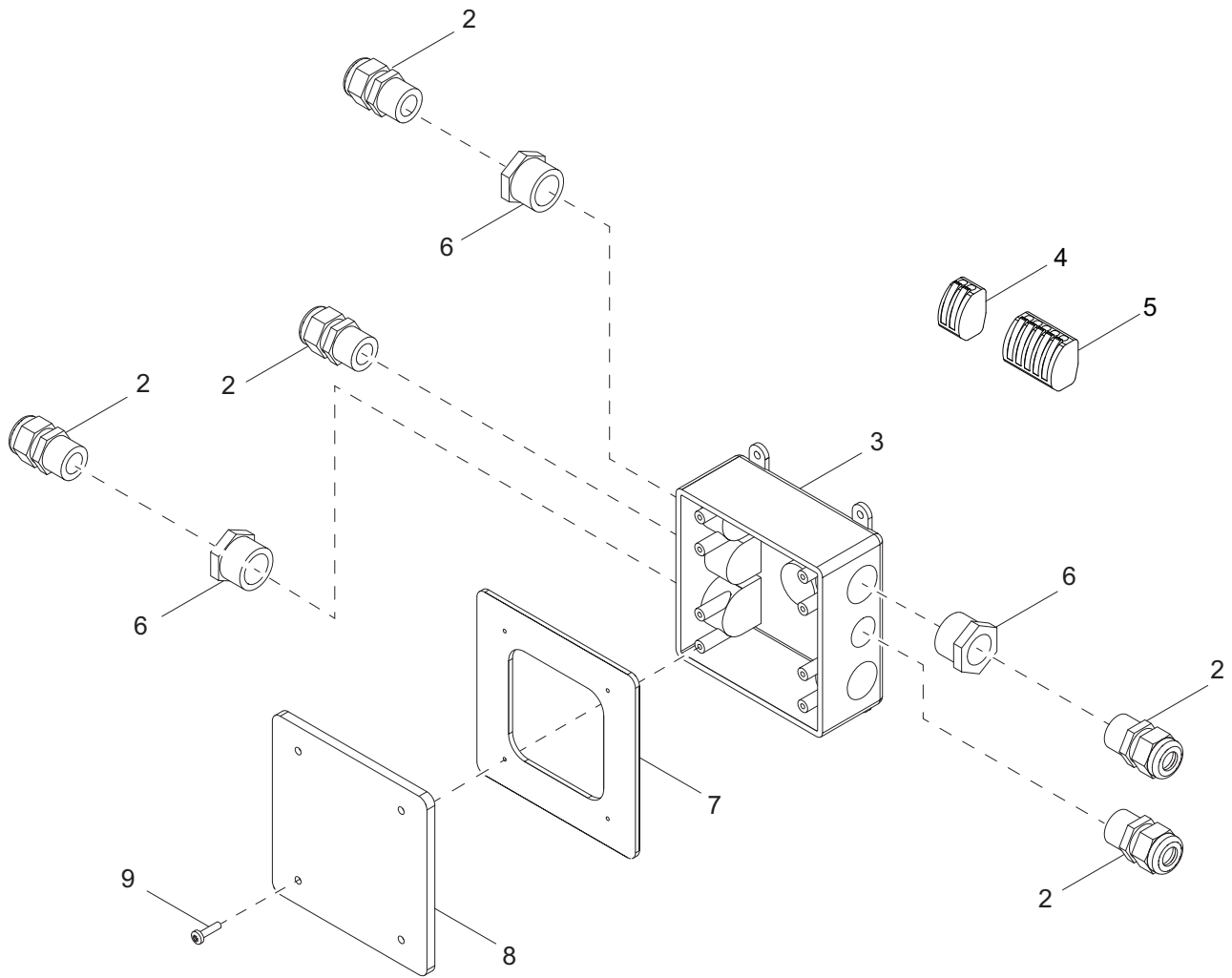
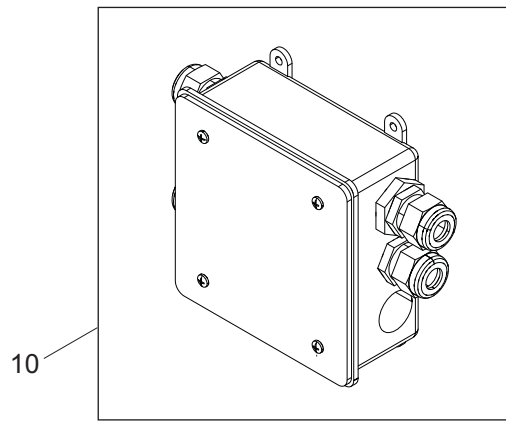
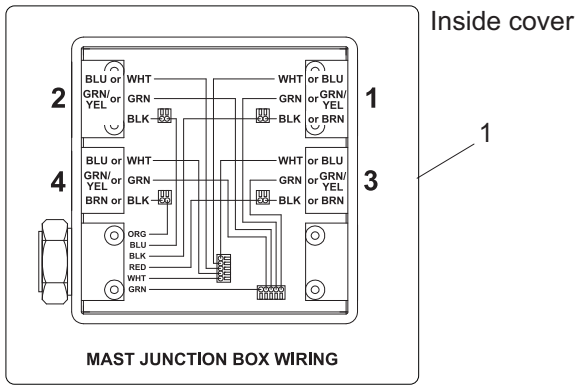
LED LIGHT ASSEMBLY

Item	Part No.	Qty	Description	Notes
1	A0000092362	2	End cap, with diffuser slot	
2	A0000188756	4	Screw, M4-.7 x 12	
3	G020151	2	Clamp, .312 x .302 - steel/vinyl	
4	N/A	6	Screw, M4-.7 x 14 PPHM	
5	G020745	2	Screw, M4-.7 x 12 PPHM	
6	A0000416868	1	Bracket, trunnion - 320W	
7	A0000188752	4	Washer, M10 ID x 25MM OD x 5 MM T	
8	60027	2	Washer, M10 flat	
9	A0000009451	2	Nut, M10-1.50 nylock, G8.8	
10	A0000188731	1	Cable, 2 position, 3 way splitter - parallel	
11	A0000092266	3	Strain relief, 320W LED	
12	A0000188739	8	Nut, M6-1.00 x 12 hammer	
13	A0000188779	1	Assembly, driver with connector	
14	A0000214354	8	Screw, M6-1.0 x 12 BHSC - black	
15	A0000095202	2	Bracket, trunnion to frame	
16	A0000092359	3	LED, PCB populated 3030	
17	A0000092361	3	Gasket, optical lens seal	
18	A0000092360	3	Lens, optical 60°	
19	A0000192578	48	Screw, mounting - optical lens	
20	A0000192575	30	Screw, mounting - PCB	

Diffused Lighting (If equipped):

A	A0000095669	1	Kit, diffuser lens 320W - LED
--	A0000277071	1	Kit, diffuser lens storage 320W - LED

MAST JUNCTION BOX ASSEMBLY

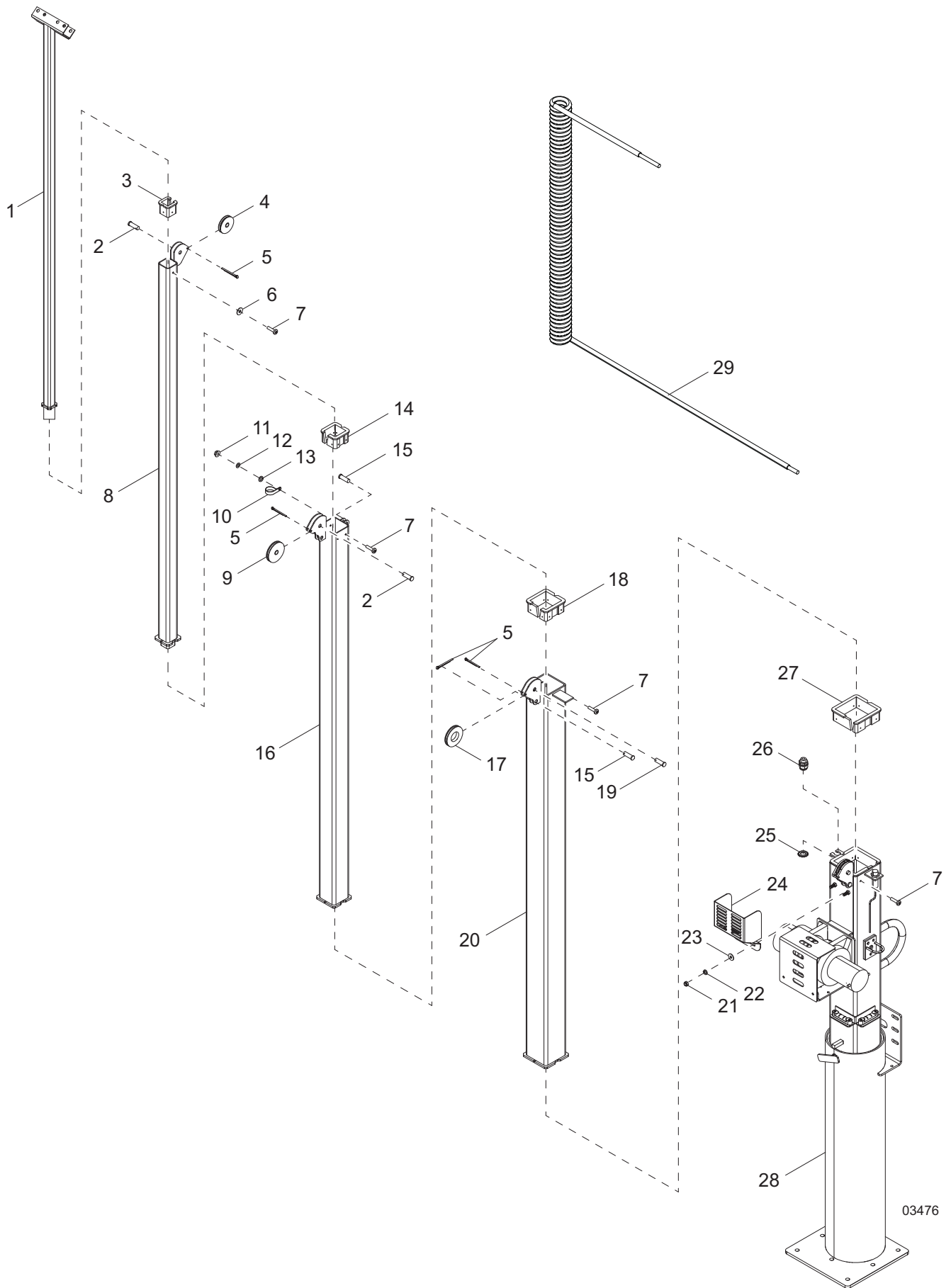


03475

MAST JUNCTION BOX ASSEMBLY

Item	Part No.	Qty	Description	Notes
1	10000023482	1	Decal, mast junction box wiring	
2	15864	5	Strain relief, .500NPT water tight	
3	12094	1	Box, junction	
4	66100	4	Connector, 2 position.	
5	66102	2	Connector, 5 position.	
6	60755	2	Fitting, str .750MNPT x .500FNPT, nylon	
7	13749SRV	1	Gasket, junction box - HFI 281000	
8	12109	1	Cover, box, 2-gang plastic	
9	60424	4	Screw, 6-32 x .750 pan Phillips, G2	
10	A0001533483	1	Assembly, mast junction box	

MAST ASSEMBLY

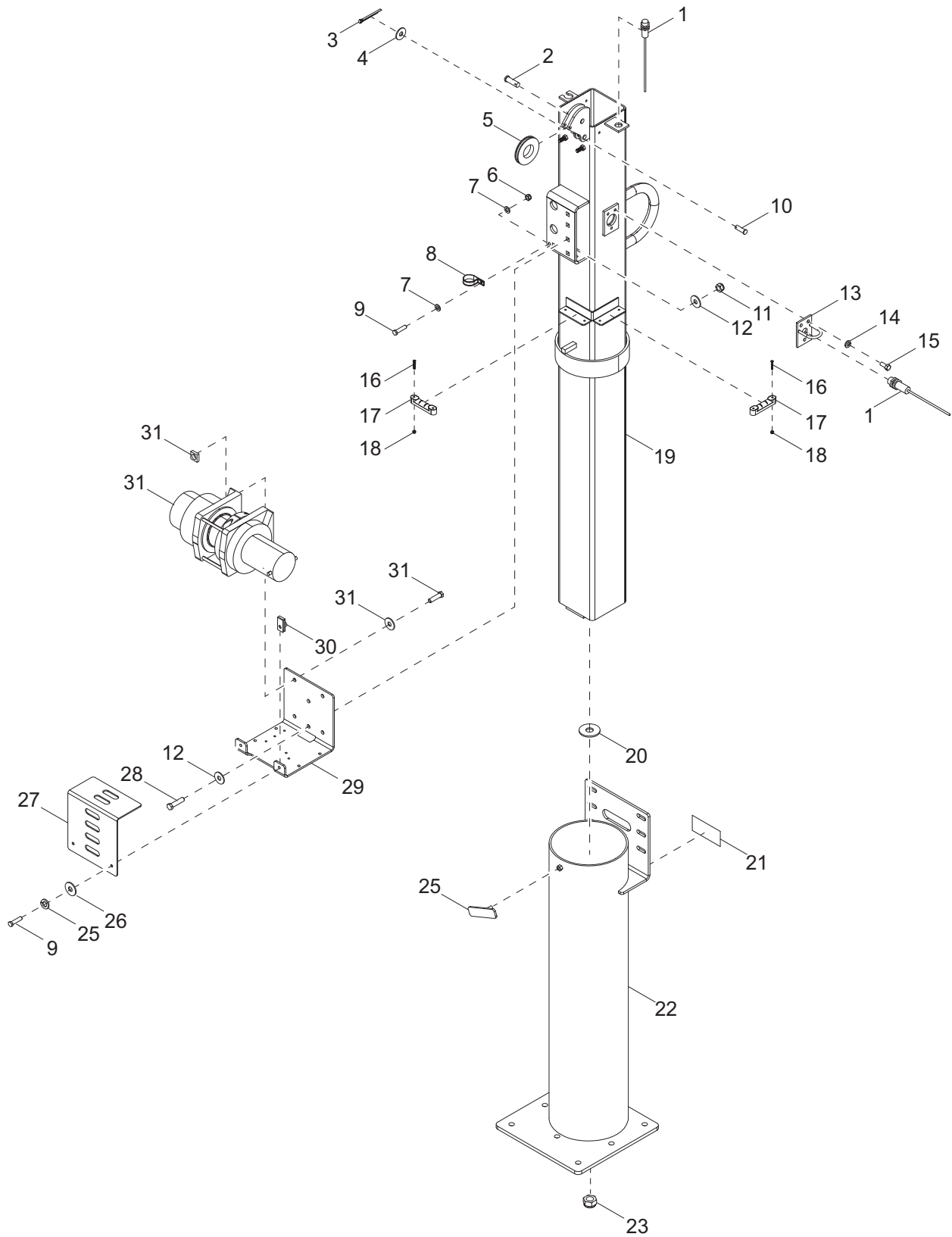


03476

MAST ASSEMBLY

Item	Part No.	Qty	Description	Notes
1	32015B	1	Weldment, mast section, 1.250 in	
2	15015	2	Pin, clevis - .500 dia x 1.250	
3	32409	1	Shim, 2 x 2 tube	
4	32524	1	Sheave, 2.50 in	
5	15380	4	Pin, cotter - .125 x 1.250	
6	60067	2	Washer, #10 flat .435/.060, SS	
7	32569	23	Screw, 8-16 x .375 pan Phillips, SS	
8	32010B	1	Weldment, mast section, 2 in	
9	14262	1	Sheave, 3 in	
10	15627	1	Clamp, tubing - .625 heavy-duty	
11	60140	1	Nut, .375-16 hex, G5	
12	60206	4	Washer, .375 split lock	
13	60386	4	Washer, .375 flat .993/.064	
14	13789	1	Shim, 3 x 3 tube	
15	63325	1	Pin, clevis - .500 dia x 1.063	
16	32007B	1	Weldment, mast section - 3 in	
17	33736	1	Assembly, pulley vertical mast	
18	13790	1	Shim, 4 x 4 tube	
19	63280	1	Pin, grooved clevis - .500 dia x .780	
20	32004B	1	Weldment, mast section, 4 in	
21	60285	2	Nut, .312-18 hex, G2	
22	60271	2	Washer, .312 split lock	
23	60119	2	Washer, .312 flat .875/.070	
24	33395B	1	Guard, vertical mast - pulley	
25	15861	1	Nut, .500NPT lock	
26	14871	1	Strain relief, .500NPT, .500 cord	
27	32408	1	Shim, 5 x 5 tube	
28	A0001533493	1	Assembly, mast bottom	<i>Page 16</i>
29	A0000098118	1	Coil cord	
--	34132	1	Cable, .188 in. x 116 in., SS	Attaches to item 30
--	34128	1	Cable, .188 in. x 69.25 in., SS	Attaches to item 22
--	34129	1	Cable, .188 in. x 69.75 in., SS	Attaches to item 16
--	34130	1	Cable, .188 in. x 67.875 in., SS	Attaches to item 8

MAST ASSEMBLY - BOTTOM POST

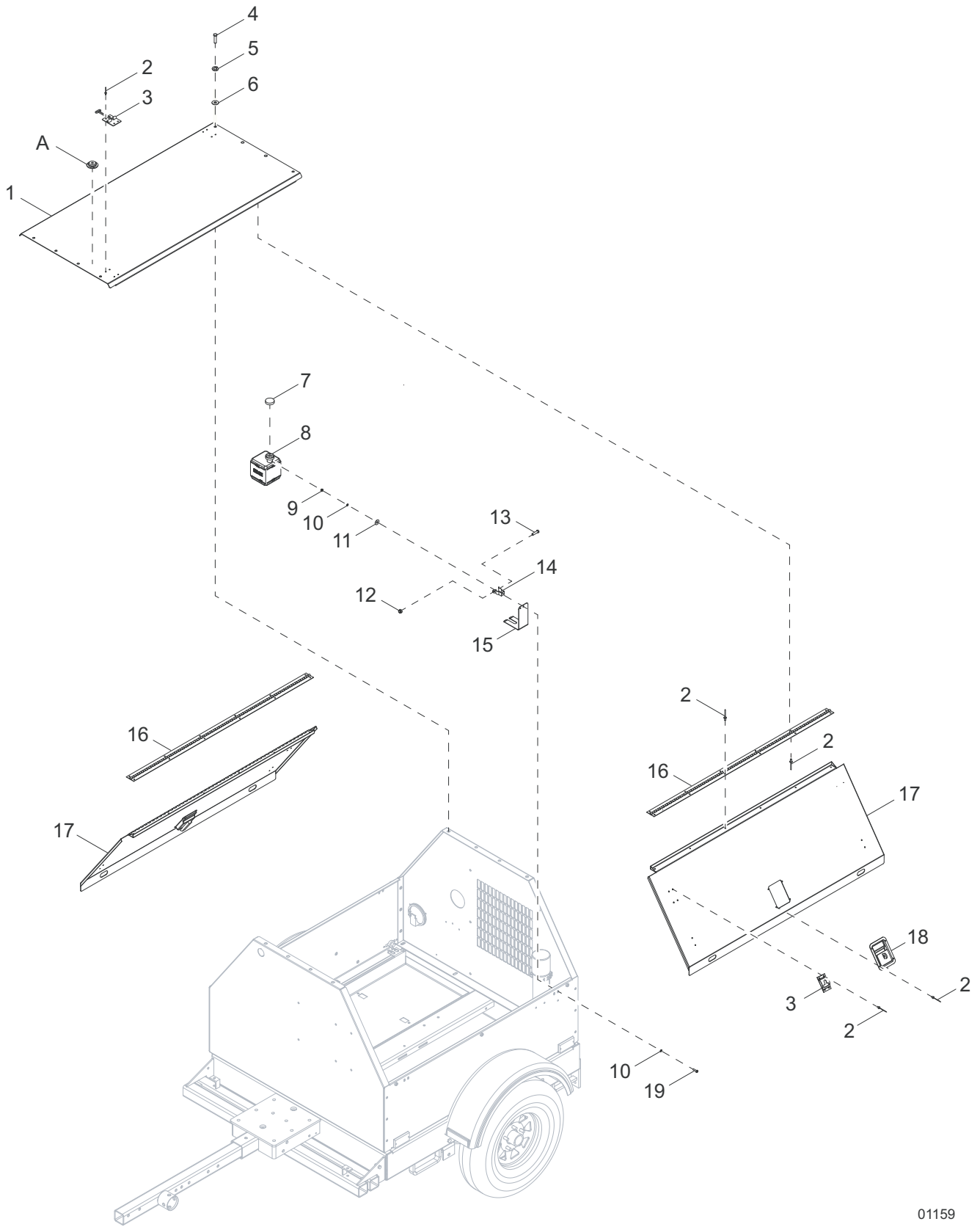


03477

MAST ASSEMBLY - BOTTOM POST

Item	Part No.	Qty	Description	Notes
1	31757	2	Sensor, proximity	
2	63325	1	Pin, clevis - .500 diameter x 1.063	
3	15380	1	Pin, cotter - .125 x 1.25	
4	60309	1	Washer, .500 flat 1.060/.090	
5	33736	1	Assembly, pulley	
6	60144	1	Nut, .250-20 nylock, G5	
7	60696	2	Washer, .250 flat .625/.050, SS	
8	16143	1	Clamp, tubing - .500	
9	60393	1	Screw, .250-20 x 1.0 standard hex, G5	
10	63272	1	Pin, clevis - .500 diameter x 1.25	
11	60358	4	Nut, .375-16 nylock, G5	
12	60386	4	Washer, .375 flat .993/.064	
13	13796B	1	Weldment, proximity sensor bracket	
14	60271	2	Washer, .312 split lock	
15	60168	2	Screw, .312-18 x .750 standard hex, G5	
16	A0000945464	4	Screw, M4-0.7 x 25 flat head Phillips - SS	
17	A0000764090	2	Level	
18	60051	4	Nut, M4 -0.70 nylock, G8.8	
19	A0001413208	1	Weldment, mast bottom - 5 inch	
20	60247	1	Washer, .750 flat 2.020/.130	
21	50197	0.75 ft	Weatherstripping - .06 x 1.0	
22	33224B	1	Weldment, mast tube	
23	60584	1	Nut, .750-10 nylock, G5	
24	11649Z	1	Weldment, T-bolt	
25	60286	2	Washer, .250 split lock	
26	60243	2	Washer, .250 flat .735/.060	
27	33822B	1	Bracket, winch cover	
28	60352	2	Screw, .375-16 x 1.25 standard hex, G5	
29	33858B	1	Bracket, winch mounting	
30	61143	2	Nut, .250-20 U-clip - short type	
31	34293	1	Winch, electric - 1200 lb hoist	
--	17936	1	Wire group - electric winch	
--	31759	1	Wire group - winch battery power cables	
--	31758	1	Wire group - winch power cables	
--	31757	1	Wire group - proximity sensor	

ROOF AND DOORS TO UNIT



01159

ROOF AND DOORS TO UNIT

Item	Part No.	Qty	Description	Notes
1	16538W	1	Panel, top	
2	60268	48	Rivet, .188 diameter x .126 to .250 grip, SS	
3	12605	2	Latch, T-handle, SS	
4	60690	4	Screw, .375-16 x 1.0 standard hex, SS	
5	60703	4	Washer, .375 split lock, SS	
6	60698	4	Washer, .375 flat .875/.040, SS	
7	19714	1	Cap, overflow jug	
8	20287	1	Jug, overflow	
9	60061	1	Nut, 10-32 nylock	
10	60067	2	Washer, #10 flat .435/.060, SS	
11	60696	1	Washer, .250 flat .625/.050, SS	
12	60144	1	Nut, .250-20 nylock, G5	
13	60414	1	Screw, .250-12 x 1.50 standard hex, G5	
14	19726	1	Clamp, overflow jug	
15	22419B	1	Bracket, overflow jug	
16	16598	2	Hinge, door - .188 pin, 48.5 inch long	
17	16591W	2	Panel, door	
18	15123	2	Latch, paddle - 7 lb spring	
19	61180	1	Screw, 10-32 x .750 pan Phillips, SS	

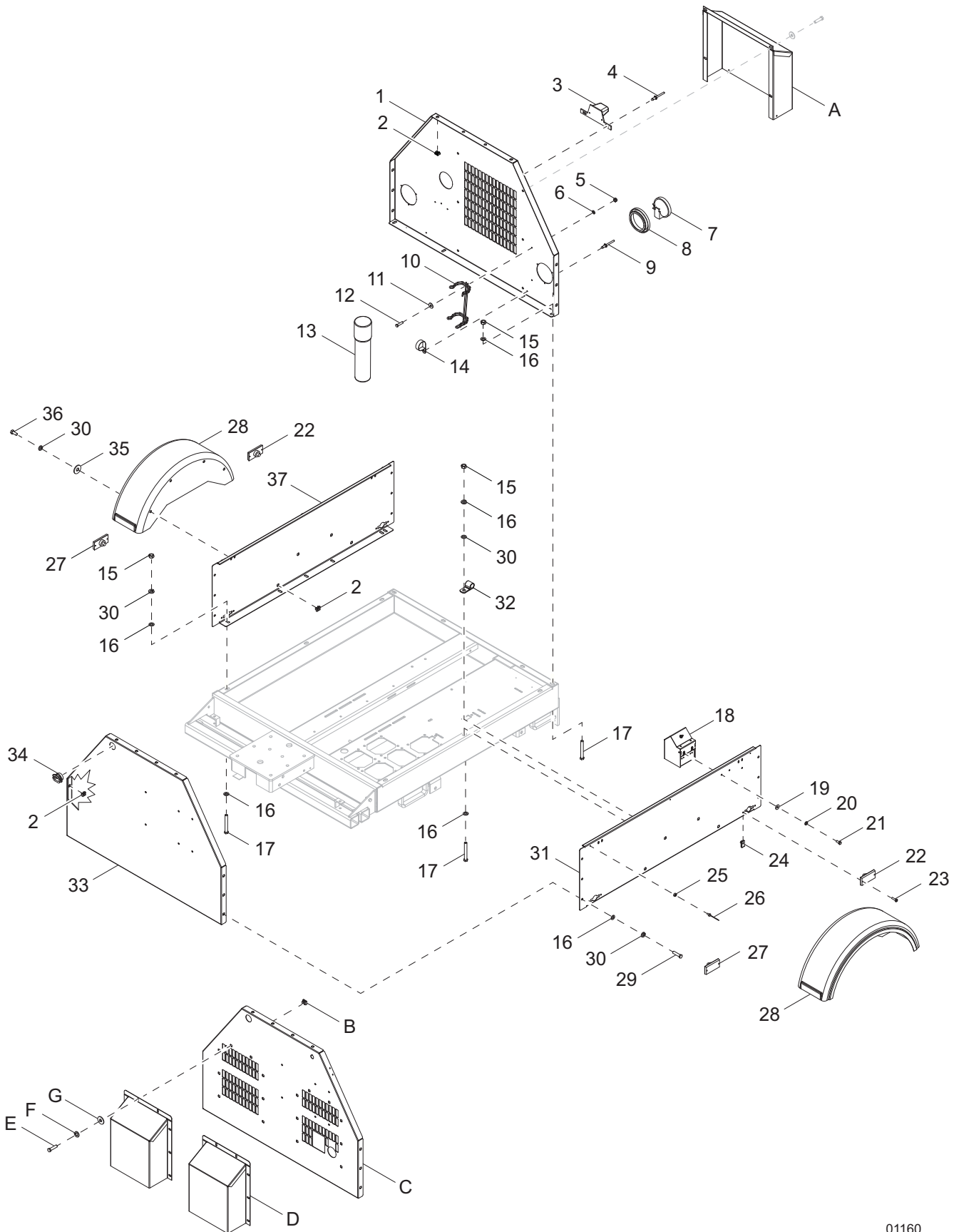
Level Indicator: (if equipped)

A	14433	1	Level, eye
---	-------	---	------------

Silent Pack: (if equipped)

--	16739W	2	Panel, door
----	--------	---	-------------

FRONT, REAR, AND SIDE PANELS TO UNIT

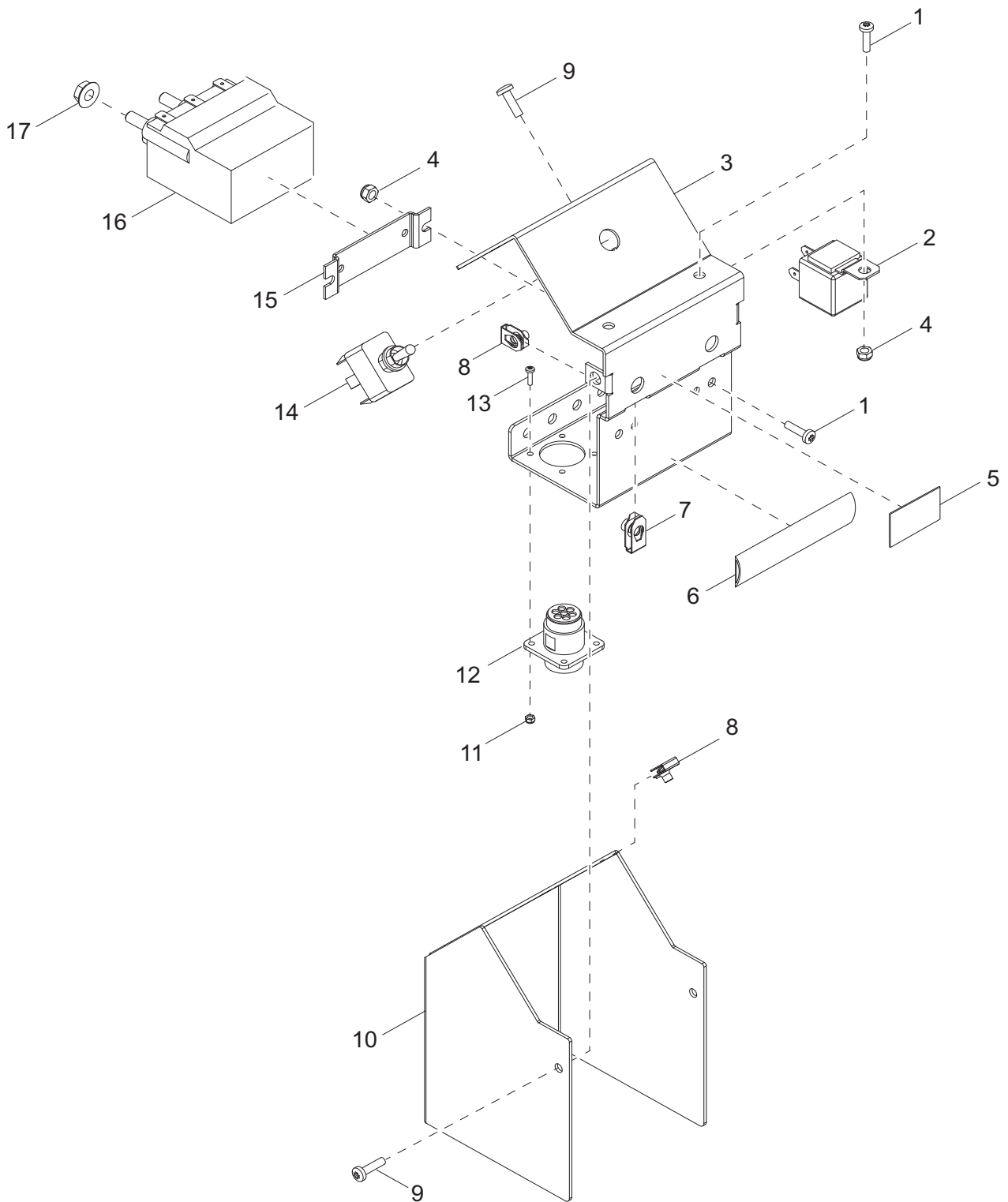


01160

FRONT, REAR, AND SIDE PANELS TO UNIT

Item	Part No.	Qty	Description	Notes
1	35500W	1	Panel, rear	
2	60657	26	Nut, .375-16 cage, G5, for 12 GA	
3	A0001478895	1	Assembly, license plate holder	
4	60423	2	Rivet, .188 diameter x .250 to .375 grip	
5	60457	2	Nut, 10-24 nylock, G2	
6	60067	2	Washer, #10 flat .435/.060, SS	
7	A0001478886	2	Assy, rear tail/turn light, 3-wire with plug	
8	10221	2	Grommet, rear light, rubber	
9	60268	2	Rivet, .188 diameter x .126 to .250 grip, SS	
10	11222	1	Bracket, manual holder	
11	60089	2	Washer, .265 fender 1.25/.060	
12	60540	2	Screw, 10-24 x .750 pan Phillips, SS	
13	11121	1	Manual holder tube	
14	15628	2	Clamp, wire - .38 plastic	
15	60140	10	Nut, .375-16 hex, G5	
16	60698	38	Washer, .375 flat .875/.040, SS	
17	60689	10	Screw, .375-16 x 4.0 standard hex SS	
18	N/A	1	Assembly, mast toggle switch box	Page 22
19	60696	2	Washer, .250 flat .625/.050, SS	
20	60704	2	Washer, .250 split lock, SS	
21	60684	2	Screw, .250-20 x .875 standard hex, SS	
22	66372	2	Light, clearance marker - red	
23	60694	8	Screw, 8-32 x .750 pan Phillips, SS	
24	60730	8	Nut, 8-32 U-clip	
25	15215	6	Bumper, rubber	
26	60267	6	Rivet, .125 diameter x .191 to .270 grip, aluminum	
27	66373	2	Light, clearance marker - amber	
28	16560	2	Fender, plastic - 13 inch tire	
29	60690	22	Screw, .375-16 x 1.0 standard hex, SS	
30	60703	36	Washer, .375 split lock, SS	
31	35502W	1	Panel, left side	
32	60649	1	Clamp, tubing - .750 heavy-duty	
33	33746W	1	Panel, front	
34	66425	1	Strain relief, 1.25 Romex®, with nut	
35	60386	8	Washer, .375 flat .993/.064	
36	60295	8	Screw, .375-16 x .750 standard hex, SS	
37	33240W	1	Panel, right side	
<i>Silent Pack: (if equipped)</i>				
A	12189W	1	Duct, radiator guard	
B	15425	16	Nut, .312-18 cage	
C	34744W	1	Panel, front	
D	34783W	2	Duct, front	
E	60507	16	Screw, .312-18 x 1.0 standard hex, SS	
F	60701	16	Washer, .312 split lock, SS	
G	60340	16	Washer, .312 flat .875/.040, SS	

MAST SWITCH BOX ASSEMBLY

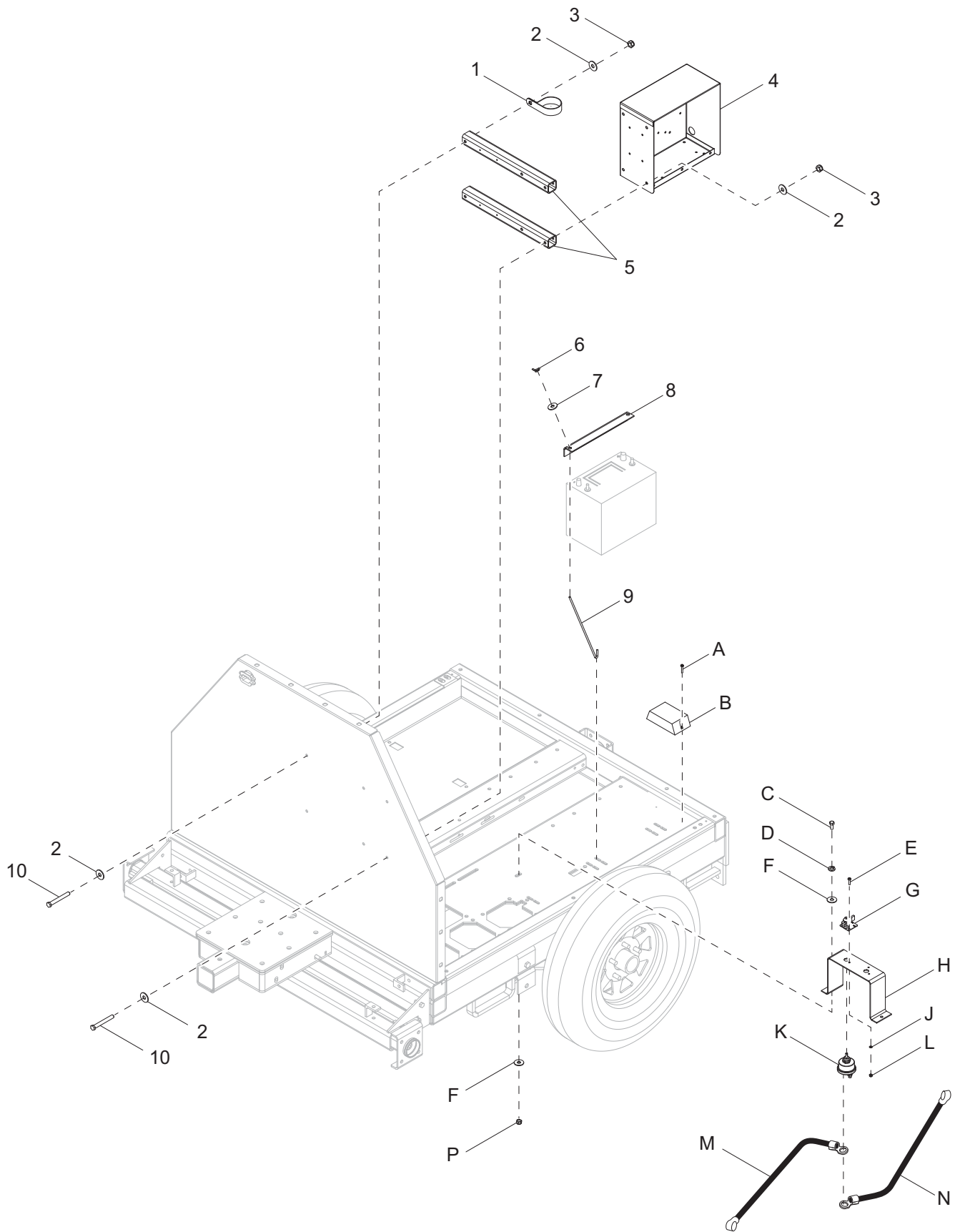


01161

MAST SWITCH BOX ASSEMBLY

Item	Part No.	Qty	Description	Notes
1	60277	4	Screw, 10-32 x .500 pan Phillips, G2	
2	65049	2	Relay, 12V 30/40A NO with diode	
3	33750B	1	Panel, box - mast switch	
4	60061	4	Nut, 10-32 nylock	
5	50197	.125 ft	Weatherstripping, .06 x 1.0	
6	50187	.33 ft	Seal, door - D-shaped - .750	
7	61143	2	Nut, .250-20 U-clip - short type	
8	63105	4	Nut, 8-32 U-clip, G5	
9	60526	4	Screw, 8-32 x .500 pan Phillips, G2	
10	33751B	1	Panel, cover - mast switch	
11	60758	4	Nut, 4-40 nylock, G2	
12	61229	1	Connector, amp - 7 position receptacle, flange	
13	62187	4	Screw, 4-40 x .500 pan Phillips, SS	
14	65707	1	Switch, toggle - SPDT, spring, weatherproof	
15	33255B	1	Bracket, electric winch	
16	11293	1	Contactora, 12V electric winch	
17	60036	4	Nut, M6-1.0 serrated flange, G8.8	
--	33471	1	Assembly, mast switch box	Items 1 - 17

CONTROL BOX TO UNIT



01162

CONTROL BOX TO UNIT

Item	Part No.	Qty	Description	Notes
1	60649	1	Clamp, tubing - .750 heavy duty	
2	60340	12	Washer, .312 flat .875/.040, SS	
3	60303	6	Nut, .312-18 nylock, G2	
4	13666B	1	Control box	Page 26
5	11543B	2	Spacer, control box	
6	60090	2	Nut, .250-20 wing, G5	Included with item 9
7	60089	2	Washer, .265 fender 1.250/.060	Included with item 9
8	12924B	1	Angle, battery hold down	
9	14146	2	Bolt, J .250-20 x 10.0	
10	62043	6	Screw, .312-18 x 2.25 standard hex, SS	

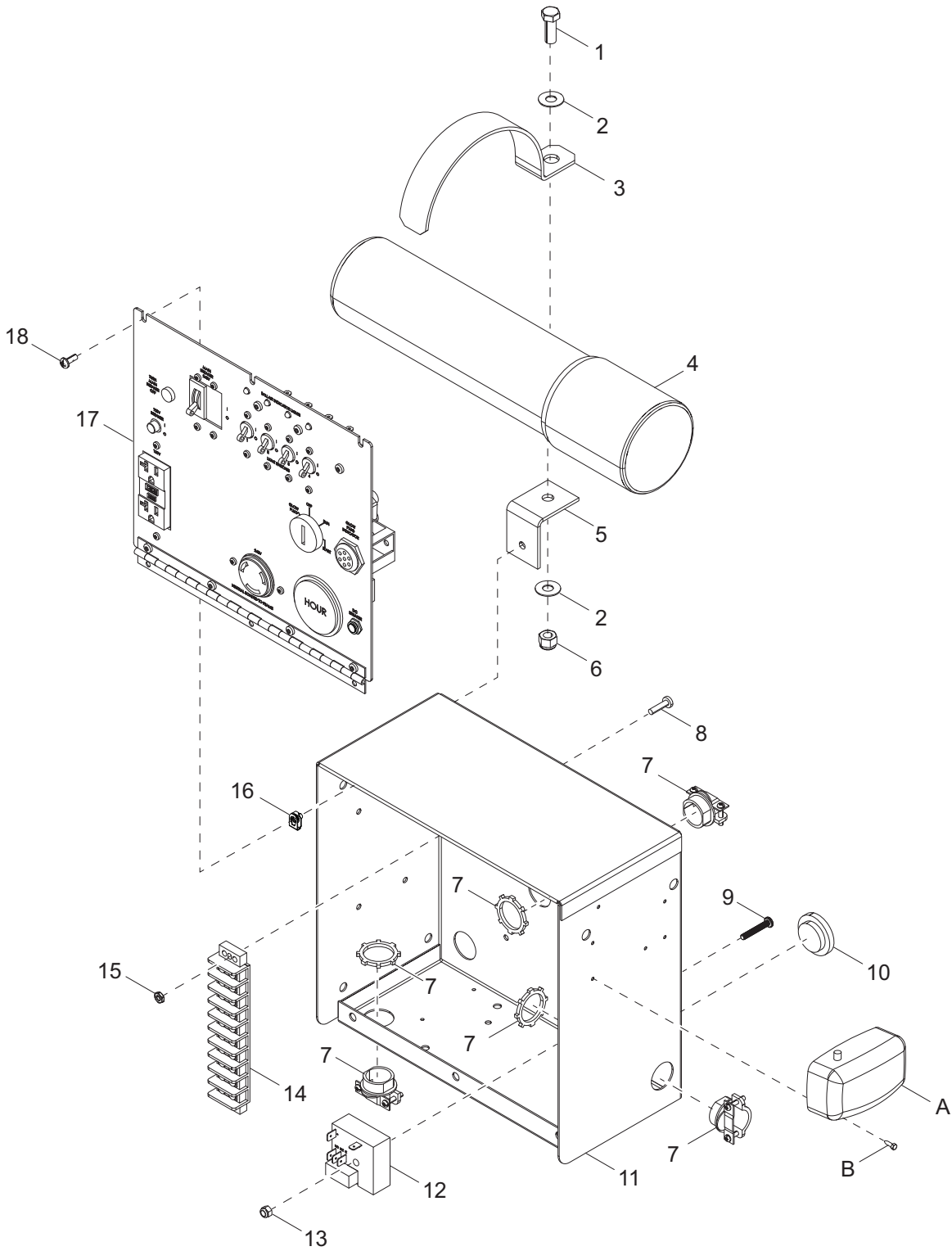
Battery Charger: (if equipped)

A	60419	2	Screw, 6-32 x .500 flange hex, G2, self-tapping
B	66212	1	Charger, battery 2A
--	21259	1	Decal, battery charger

Battery Disconnect: (if equipped)

C	60028	2	Screw, .312-18 x 1.0 standard hex, G5
D	60271	2	Washer, .312 split lock
E	60277	2	Screw, 10-32 x .500 pan Phillips, G2
F	60119	2	Washer, .312 flat .875/.070
G	65499	1	Assembly, switch lockout lever
H	13654B	1	Bracket, battery disconnect
J	60067	2	Washer, #10 flat .435/.060, SS
K	65498	1	Switch, disconnect
L	60061	2	Nut, 10-32 nylock
M	15073	1	Cable, battery - 24 inch. 4GA black, .438 lug
N	69896	1	Cable, battery jumper - 33 inch. 4GA red, .375 lug
P	60303	2	Nut, .312-18 nylock, G2

CONTROL BOX ASSEMBLY

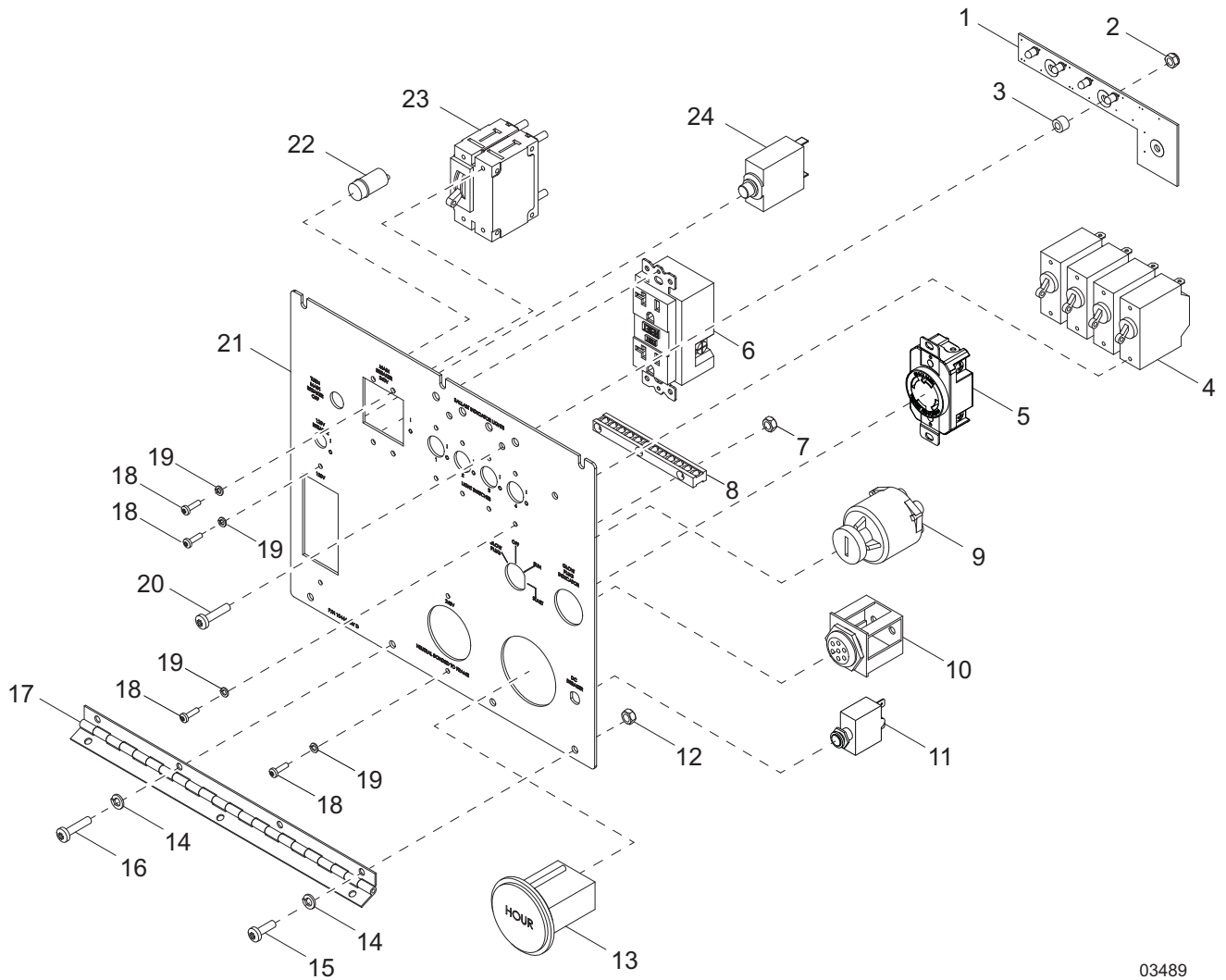


03488

CONTROL BOX ASSEMBLY

Item	Part No.	Qty	Description	Notes
1	60690	1	Screw, .375-16 x 1.00 standard hex - SS	
2	60698	2	Washer, .375 flat .875/.040 - SS	
3	10241	1	Clamp, 2,50	
4	11121	1	Manual holder, tube - black	
5	32731B	1	Bracket, manual holder	
6	60358	1	Nut, .375-16 nylock, G5	
7	14219	3	Strain relief, .750 Romex	
8	60062	2	Screw, 10-32 x .750 pan Phillips, G2	
9	60396	1	Screw, 10-32 x 1.250 pan Phillips, G2	
10	60746	2	Plug, hole 1.094 recessed - black	
11	1366B	1	Box, control	
12	14201	1	Relay, 10A SPDT 12VDC - 15 sec. time delay	
13	60061	1	Nut, 10-32 nylock	
14	14203	1	Block, terminal 10 position, 30A, 600V	
15	14231	2	Nut, 10-32 hex, G2	
16	63105	6	Nut, 8-32 U-clip, G5	
17	A0001533054	1	Assembly, control panel	
18	60526	6	Screw, 8-32 x .500 pan Phillips, G2	
<i>Interior Light: (if equipped)</i>				
A	11947	1	Light, interior w/switch	
B	60364	4	Screw, 10-16 x .500 standard hex, G2, self-drilling	

CONTROL PANEL ASSEMBLY

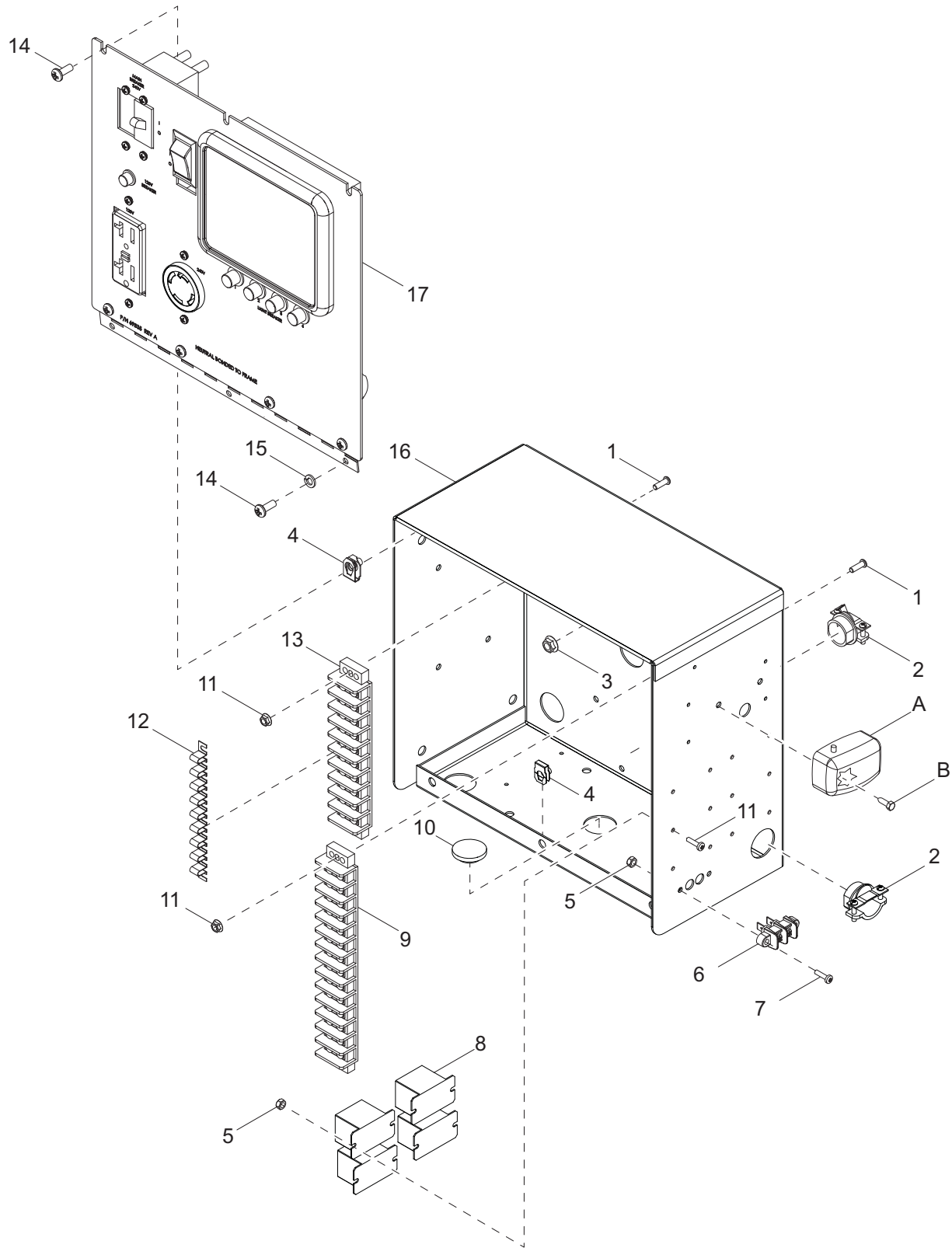


03489

CONTROL PANEL ASSEMBLY

Item	Part No.	Qty	Description	Notes
1	66423	1	PCB, LED lights w/connector	
2	60061	3	Nut, 10-32 nylock	
3	66257	3	Spacer, .2 ID x .375 OD x .25 long, plastic	
4	14249	4	Breaker, 15A, 120V, 1-pole	
5	65488	1	Receptacle, 240V/30A twist-lock	
6	14130	1	Receptacle, 120V/20A GFI	
7	60318	2	Nut, 8-32 hex, G5	
8	14204	1	Kit, ground bar	
9	15195SRV	1	Switch, key	
10	16694SRV	1	Glow plug indicator	MLT4060MV
11	65850	1	Breaker, 10A, 240V, 1-pole, push button	
12	14231	2	Nut, 10-32 hex, G2	
13	15085	1	Gauge, hour meter	
14	60252	4	Washer, #10 split lock	
15	60277	2	Screw, 10-32 x .500 pan Phillips, G2	
16	60406	2	Screw, 8-32 x 1.0 pan Phillips, SS	
17	13677	1	Hinge, continuous - 11 in	
18	60405	16	Screw, 6-32 x .250 pan Phillips, G2	
19	60058	16	Washer, #6 split lock	
20	60062	3	Screw, 10-32 x .750 pan Phillips, G2	
21	10000030410	1	Panel, control - Mitsubishi, 1100W	MLT4060MV
	10000030374	1	Panel, control - Kubota, 1100W	MLT4060KV
22	65388	1	Light, indicator red, 12VDC	
23	65963	1	Breaker, 30A, 250V, 2-pole, stud terminal w/aux	
24	65849	1	Breaker, 10A, 120V, 1-pole, push button	
--	35267	1	Wire group - 20A GFCI	
--	35268	1	Wire group - 30A twist-lock	
--	35269	1	Wire group - light switches	
--	35266	1	Wire group - LED light board	
--	35271	1	Wire group - 6kW control box	

CONTROL BOX ASSEMBLY - POWERZONE (IF EQUIPPED)

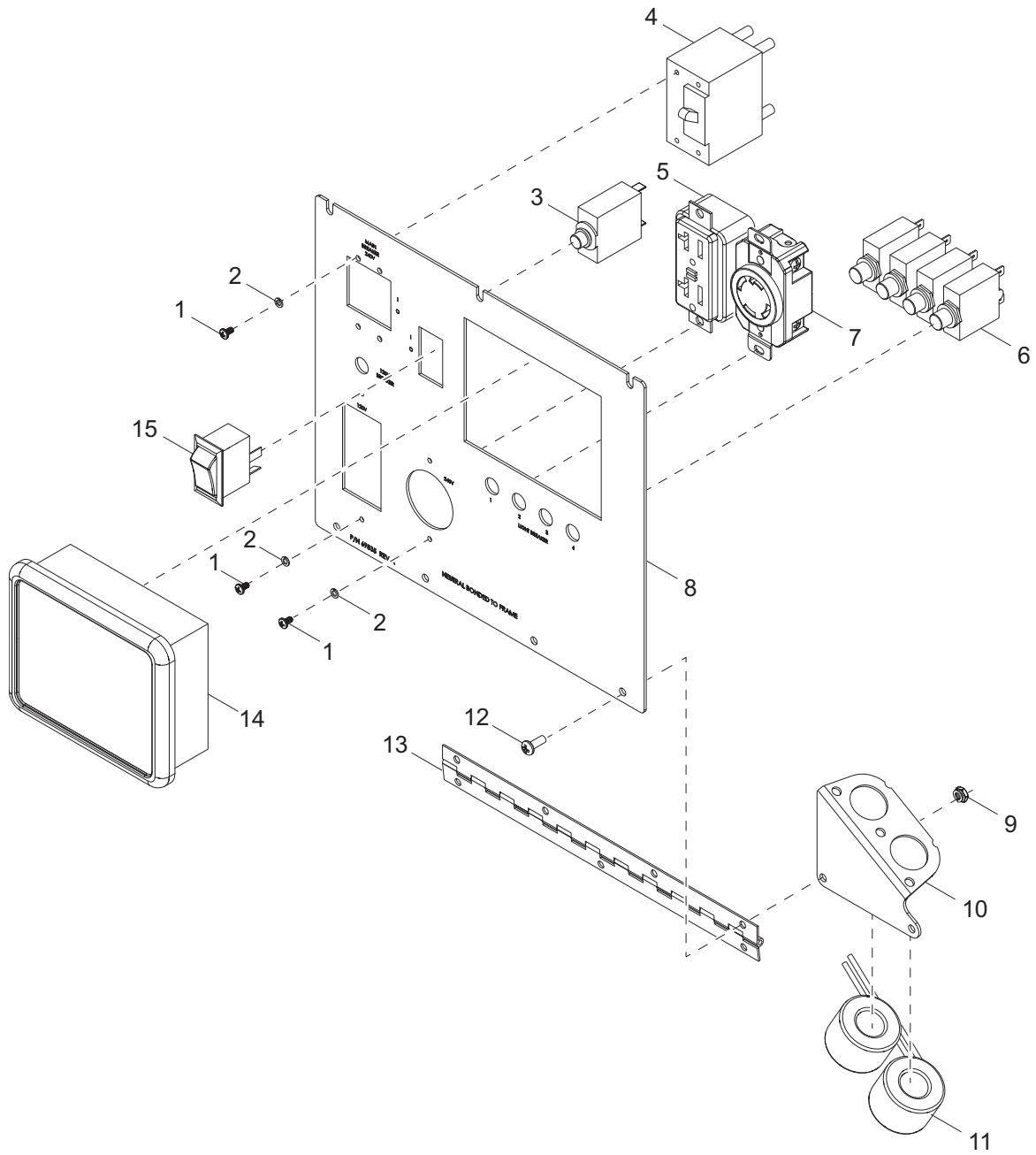


03490

CONTROL BOX ASSEMBLY- POWERZONE (IF EQUIPPED)

Item	Part No.	Qty	Description	Notes
1	60062	4	Screw, 10-32 x .750 pan Phillips, G2	
2	14219	5	Strain relief - .750 Romex w/nut	
3	61045	4	Nut, 10-32 serrated flange	
4	63105	6	Nut, 8-32 u-clip, G5	
5	60758	10	Nut, 4-40 nylock, G2	
6	18890	1	Block, terminal - 2 position	
7	62187	10	Screw, 4-40 x .500 pan Phillips - SS	
8	29759	4	Relay, 12V coil 120-240 VAC rated	
9	66013	1	Block, terminal - 14 position, 30A, 600V	
10	60746	2	Plug, hole 1.094 recessed - black	
11	60061	4	Nut, 10-32 nylock	
12	15125	9	Jumper	
13	14203	1	Block, terminal - 10 position, 30A, 600V	
14	60277	6	Screw, 10-32 x .500 pan Phillips, G2	
15	60252	3	Washer, #10 split lock	
16	69840	1	Box, control MLT 6KW, PZ	
17	69836	1	Assembly, control panel 6KW PZ	Page 32
<i>Interior Light: (if equipped)</i>				
A	11947	1	Light, interior w/switch	
B	60364	4	Screw, 10-16 x .500 standard hex, G2, self-drilling	

CONTROL PANEL ASSEMBLY - POWERZONE (IF EQUIPPED)

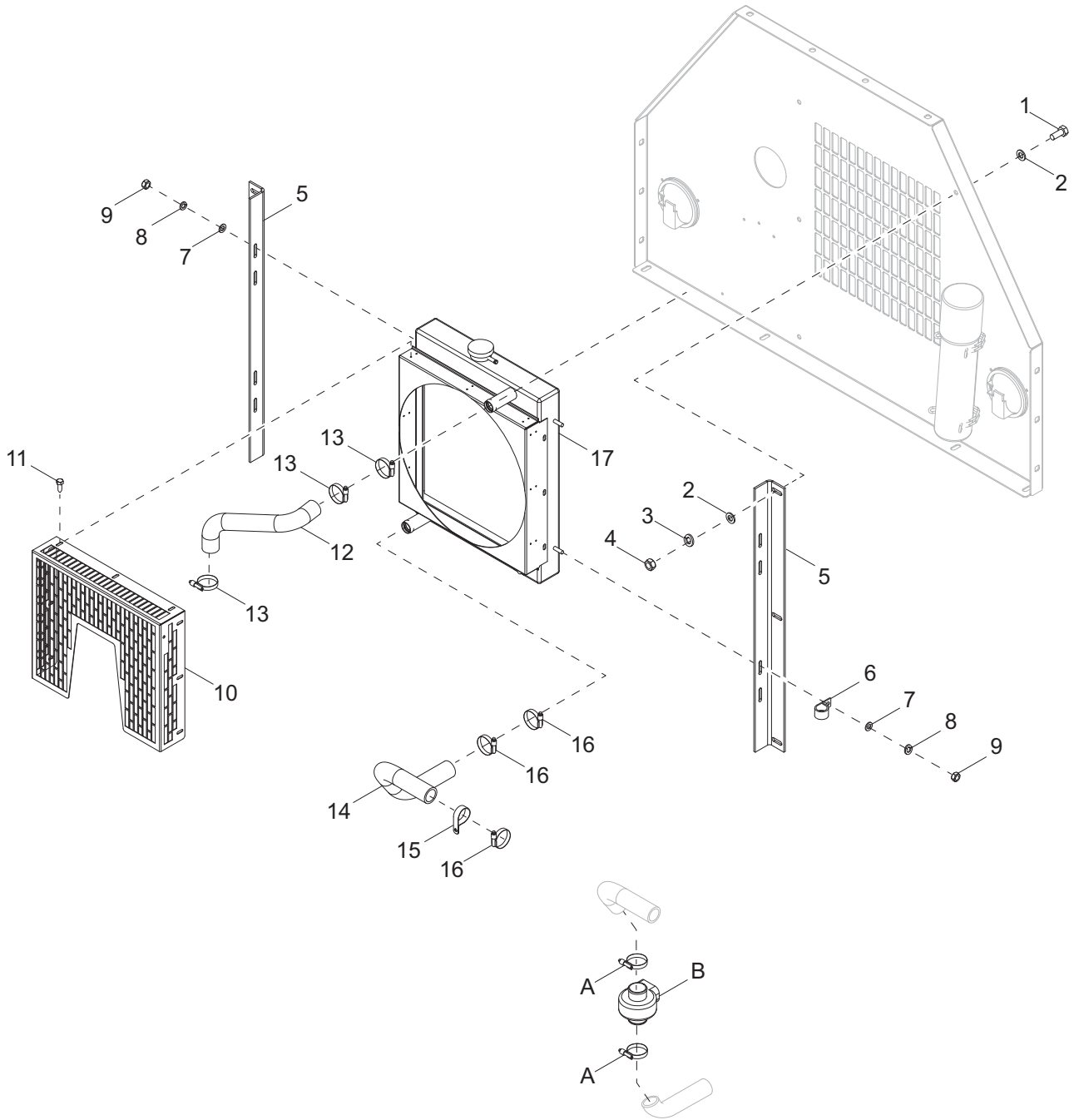


03491

CONTROL PANEL ASSEMBLY - POWERZONE (IF EQUIPPED)

Item	Part No.	Qty	Description	Notes
1	60405	16	Screw, 6-32 x .250 pan Phillips, G2	
2	60058	16	Washer, #6 split lock	
3	65849	1	Breaker, 10A, 120V, 1-pole, push button	
4	65963	1	Breaker, 30A, 250V, 2-pole, stud terminal w/aux	
5	A0001478877	1	Assembly, 20A GFCI - black	
6	15568	4	Breaker, 15A 120V 1 pole - push button	
7	65488	1	Assembly, 30A twist lockL14 R	
8	69835	1	Panel, control 6kW - PZ	
9	14231	4	Nut, 10-32 hex, G2	
10	37212B	1	Bracket, CT	
11	66255	2	Transformer, current 100:5 wires	
12	60277	4	Screw, 10-32 x .500 pan Phillips, G2	
13	13677	1	Hinge, continuous - 11 in	
14	68677	1	Controller, Deep Sea L401-002-A3 MLT6/8KW	
15	66995	1	Switch, rocker DPST on-off	

COOLING SYSTEM ASSEMBLY

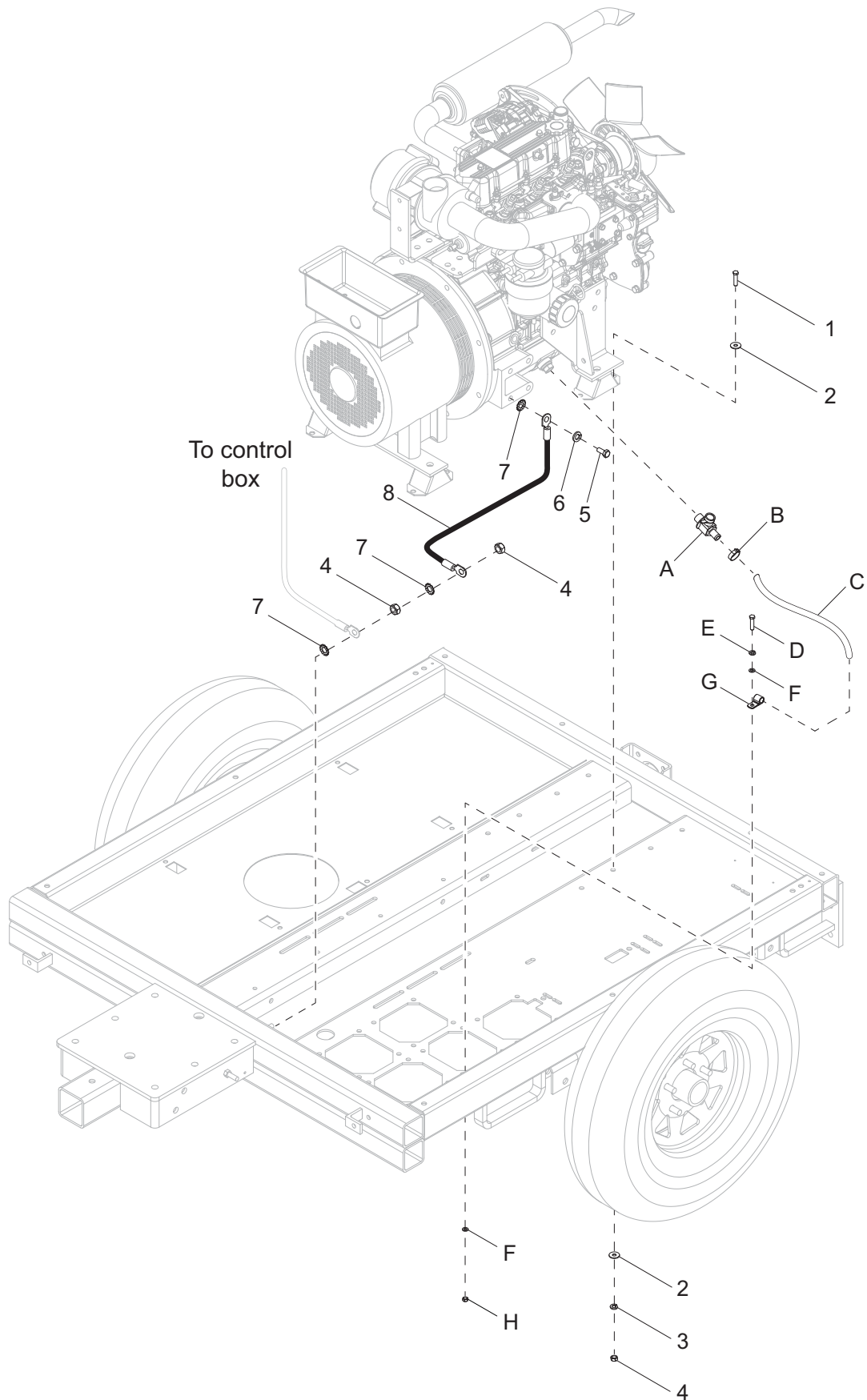


01166

COOLING SYSTEM ASSEMBLY

Item	Part No.	Qty	Description	Notes
1	60690	6	Screw, .375-16 x 1.0 standard hex, SS	
2	60698	12	Washer, .375 flat .875/.040, SS	
3	60703	6	Washer, .375 split lock, SS	
4	60140	6	Nut, .375-16 hex, G5	
5	11683B	2	Bracket, radiator	
6	15627	2	Clamp, tubing - .625 heavy duty	
7	60119	4	Washer, .312 flat .875/.070	
8	60271	4	Washer, .312 split lock	
9	60032	4	Nut, M8-1.25 hex, G8.8	
10	11413B	1	Guard, fan	
11	60364	9	Screw, 10-16 x .500 standard hex, G2, self-drilling	
12	16687	1	Hose, radiator - upper	MLT4060KV only
--	32383SRV	1	Hose, radiator - upper	MLT4060MV only
13	60316	2	Clamp, hose - SAE 032 (1.56-2.50)	MLT4060KV only
--	15422	2	Clamp, hose - SAE 020 (.75-1.75)	MLT4060MV only
14	12350	1	Hose, radiator - lower	MLT4060KV only
--	16688SRV	1	Hose, radiator - lower	MLT4060MV only
15	60716	1	Clamp, tubing - 1.50 light duty	MLT4060KV only
16	15422	2	Clamp, hose - SAE 020 (.75-1.75)	
17	A0000335661	1	Radiator, w/fan guard - welded	
<i>Engine Heater: (if equipped)</i>				
A	15422	2	Clamp, hose - SAE 020 (.75-1.75)	
B	65649	1	Heater, engine - lower radiator hose	

ENGINE AND GENERATOR TO UNIT

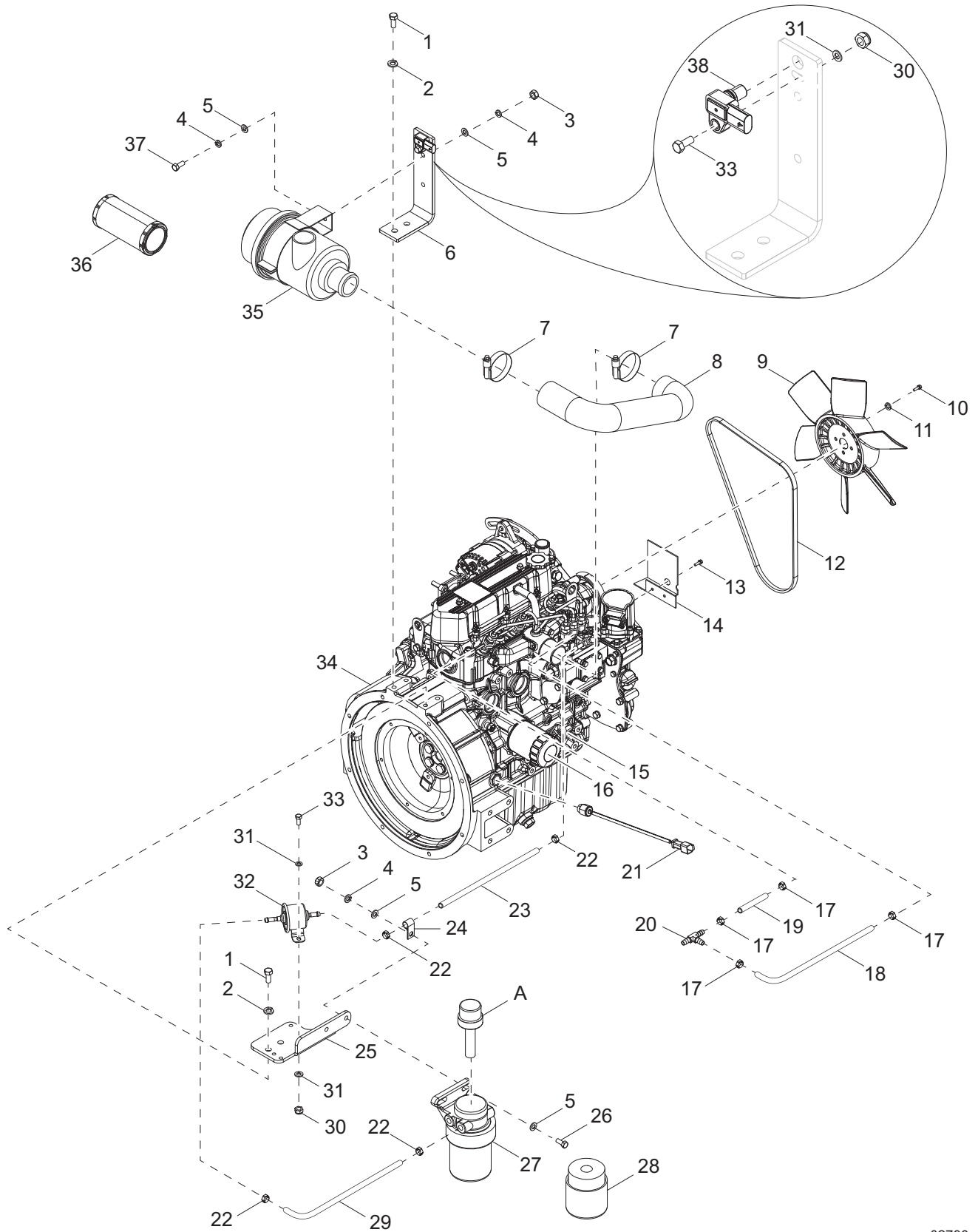


01167

ENGINE AND GENERATOR TO UNIT

Item	Part No.	Qty	Description	Notes
1	60205	8	Screw, .375-16 x 1.0 standard hex, G5	
2	60698	16	Washer, .375 flat .875/.040, SS	
3	60206	8	Washer, .375 split lock	
4	60140	10	Nut, .375-16 hex, G5	
5	60495	1	Screw, M10-1.25 x 16 - standard hex, G8.8	
6	60026	1	Washer, M10 - split lock	
7	60747	3	Washer, .375 internal star	
8	16155	1	Assembly, wire - engine/chassis ground	
<i>Drain Valve: (if equipped)</i>				
A	60774	1	Valve, drain 22mm - 1.5 with nipple	MLT4060KV only
--	60766	1	Valve, drain 18mm - 1.5 with nipple	MLT4060MV only
B	60365	1	Clamp, hose - SAE 010 (.56-1.06)	
C	50201	3 ft	Hose, .625 inch, 200 psi, class A	MLT4060KV only
--	A0001533482	1	Hose, oil drain, .375 x 20, SAE 30R7	MLT4060MV only
D	60205	1	Screw, .375-16 x 1.0 standard hex, G5	MLT4060KV only
E	60206	1	Washer, .375 flat .875/.040, SS	MLT4060KV only
F	60698	2	Washer, .375 flat .875/.040, SS	MLT4060KV only
G	60716	1	Clamp, tubing - 1.50 light-duty	MLT4060KV only
H	60144	1	Nut, .25-20 nylock, G5	MLT4060KV only
<i>Silent Pack: (if equipped)</i>				
--	18496	1	Fitting, bushing - 2.50 OD x 2.0 ID	
--	50709	3 ft	Hose, .625 inch., 300 psi	
--	60498	1	Fitting, plug - .750NPT square drive	
--	60774	1	Valve, drain with nipple	
--	60365	2	Clamp, hose - SAE 010 (.56-1.06)	
--	28213	1	Fitting, .750NPT street elbow	
--	62076	1	Fitting, straight - .750MNPT x .625 barb	

ENGINE ASSEMBLY - MITSUBISHI LEFT SIDE



02790

ENGINE ASSEMBLY - MITSUBISHI LEFT SIDE

Item	Part No.	Qty	Description	Notes
1	60422	4	Screw, M10-1.25 x 25 standard hex, G8.8	
2	60026	4	Washer, M10 split lock	
3	60285	6	Nut, .312-18 hex, G2	
4	60271	6	Washer, .312 split lock	
5	60119	8	Washer, .312 flat .875/.070	
6	10000045650	1	Bracket, air cleaner - black	
7	60316	2	Clamp, hose - SAE 032 (1.56-2.50)	
8	16589	1	Hose, air cleaner	
9	16742	1	Fan, Mitsubishi	
10	63288	4	Screw, M6-1.0 x 12 pan head, G8.8	
11	60286	4	Washer, .250 split lock	
12	16692	1	V-belt, Mitsubishi	
13	N/A	2	Bolt w/washer	
14	11691SRV	1	Bracket, lower radiator hose guard	
15	11148	1	Dipstick, oil	
16	70124	1	Filter, oil	
17	60778	4	Clamp, hose - .188, crimp style	
18	14211	1.04 ft	Hose, fuel - .188 ID, 50 psi, SAE 30R7	
19	14211	.16 ft	Hose, fuel - .188 ID, 50 psi, SAE 30R7	
20	17145	1	Fitting, tee - .188 x .188 x .188 barb, nylon	
21	A0000116158	1	Pick-up, MAG	
22	60777	4	Clamp, hose - .312, crimp style	
23	50018	1 ft	Hose, fuel - .312 ID, 50 psi, SAE 30R7	
24	60649	1	Clamp, tubing - .750 heavy-duty	
25	10000044996	1	Bracket, fuel filter/pump, black	
26	60256	2	Screw, .312-18 x 1.5 standard hex, G5	
27	10000022110	1	Filter, fuel head and element	incl 17641SRV
28	17641SRV	1	Filter, fuel, element	
29	50018	1.04 ft	Hose, fuel - .312 ID, 50 psi, 30R7	
30	60144	3	Nut, .250-20 nylock, G5	
31	60243	5	Washer, .250 flat .735/.060	
32	13278SRV	1	Fuel pump, electric	
33	60393	3	Screw, .250-20 x 1.0 standard hex, G5	
34	10000037445	1	Engine - Mitsubishi LE3, T4 EXT SVC	
35	10000021718	1	Filter, air, w/bracket	
36	16444	1	Element, air filter	
37	61061	2	Screw, .312-18 x .875 standard hex, G5	
38	72175SRV	1	Sensor, atmospheric pressure	
--	16677	1	Switch, oil pressure	
--	70021	1	Cover, air filter housing	
--	12912	1	Cap, dust	

Heated Fuel Filter: (if equipped)

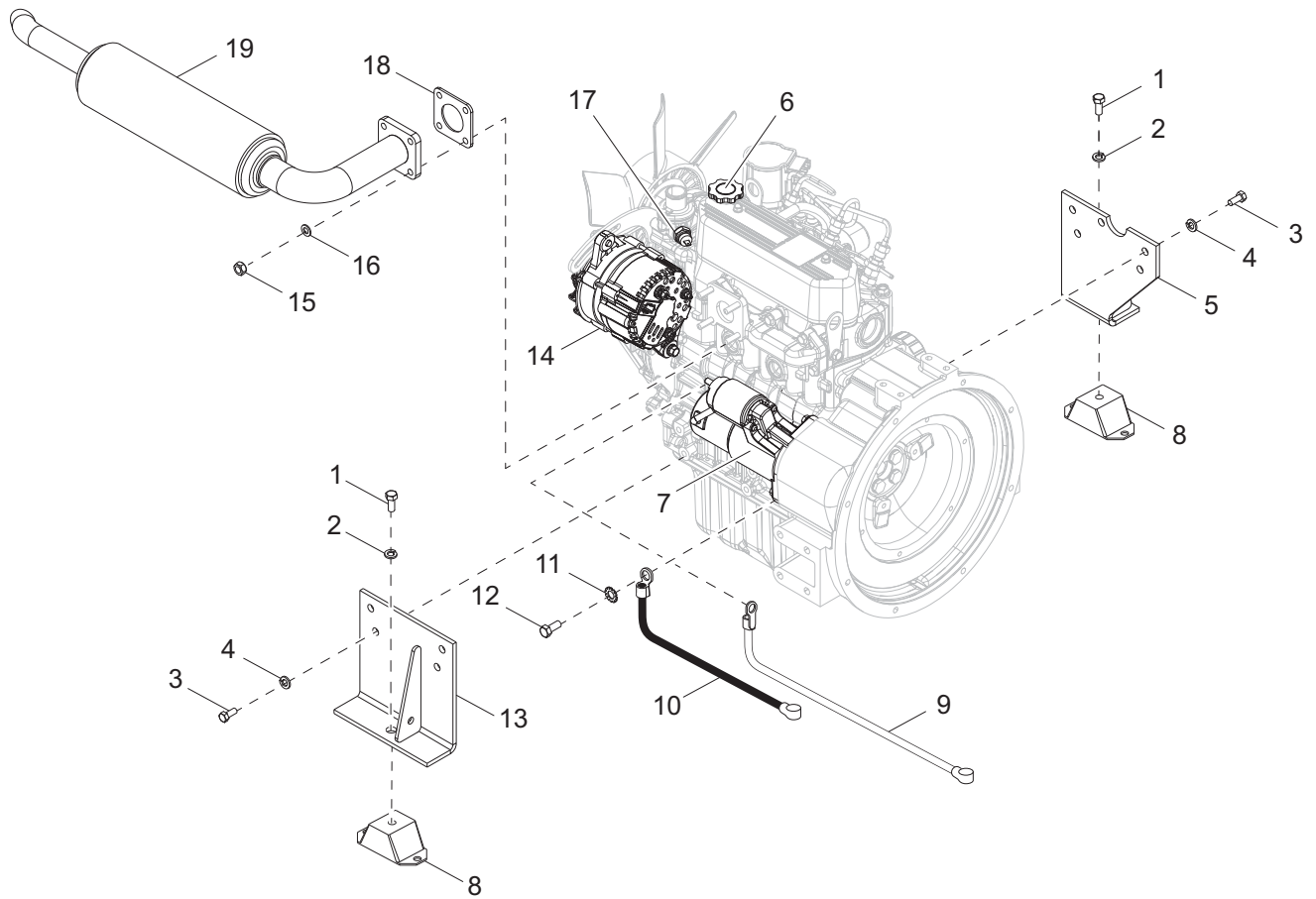
A	13876	1	Kit, heater - fuel filter, Mitsubishi
---	-------	---	---------------------------------------

Cold Weather Belt: (if equipped)

--	10386	1	Belt, cold weather - Mitsubishi, 6kW & 8kW
----	-------	---	--

Note: Engine and generator parts used in all Generac Mobile Products equipment carry the Original Equipment Manufacturer (OEM) warranty unless otherwise stated. OEM warranty parts must be purchased through an OEM dealer. Please contact Generac Mobile Products with questions.

ENGINE ASSEMBLY - MITSUBISHI RIGHT SIDE



03461

ENGINE ASSEMBLY - MITSUBISHI RIGHT SIDE

Item	Part No.	Qty	Description	Notes
1	60275	2	Screw, .500-13 x 1.0 standard hex, G5	
2	60702	2	Washer, .500 split lock, SS	
3	60422	8	Screw, M10-1.25 x 25 standard hex, G8.8	
4	60026	8	Washer, M10 split lock	
5	70130B	1	Weldment, engine mount - right, black	
6	11147	1	Cap, oil filler	
7	70232	1	Starter	
8	15241	2	Isolator, rubber - 80-200 lbs, 2 in. wide	
9	15074	1	Cable, battery - 38 in, 4GA red, .438 lug	
10	15073	1	Cable, battery - 24 in, 4GA black, .438 lug	
11	60747	1	Washer, .375 internal star	
12	60495	1	Screw, M10-1.25 x 16 standard hex, G8.8	
13	16554B	1	Weldment, engine mount - LH, black	
14	A0000083440	1	Alternator	
15	60032	4	Nut, M8 - 1.25 hex, G8.8	
16	60029	4	Washer, M8 split lock	
17	16678	1	Switch, temperature sensor	
18	11042SRV	1	Gasket, muffler	
19	13710	1	Muffler, 30° flare	
--	10000041832	1	Harness, engine - Mitsubishi	

Silent Pack: (if equipped)

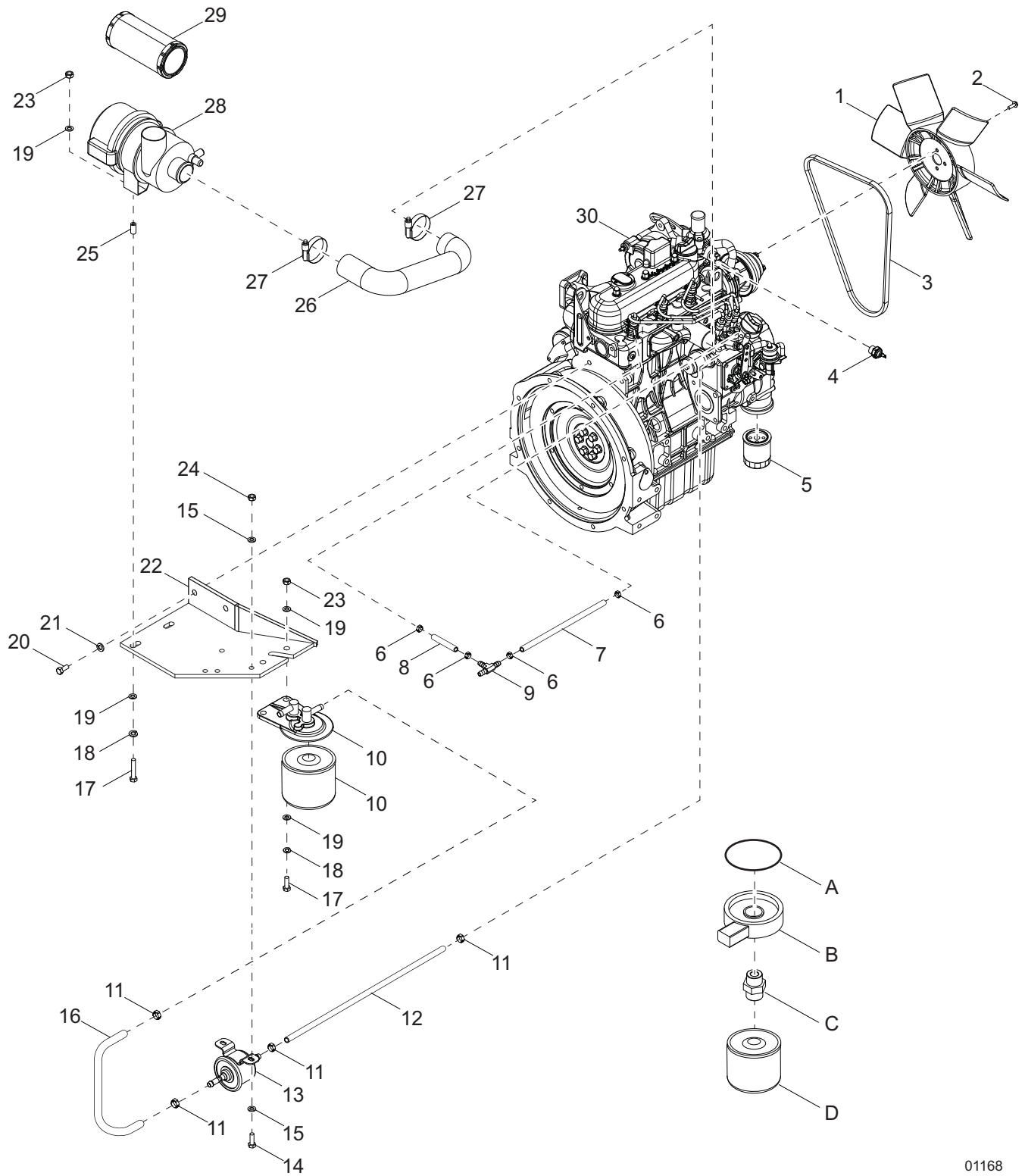
--	34776	1	Muffler, Mitsubishi modified	
----	-------	---	------------------------------	--

Battery Disconnect: (if equipped)

--	69896	1	Cable, battery, jumper 33.0" 4 GA red - .375 lug	
----	-------	---	--	--

Note: Engine and generator parts used in all Generac Mobile Products equipment carry the Original Equipment Manufacturer (OEM) warranty unless otherwise stated. OEM warranty parts must be purchased through an OEM dealer. Please contact Generac Mobile Products with questions.

ENGINE ASSEMBLY - KUBOTA LEFT SIDE



01168

ENGINE ASSEMBLY - KUBOTA LEFT SIDE

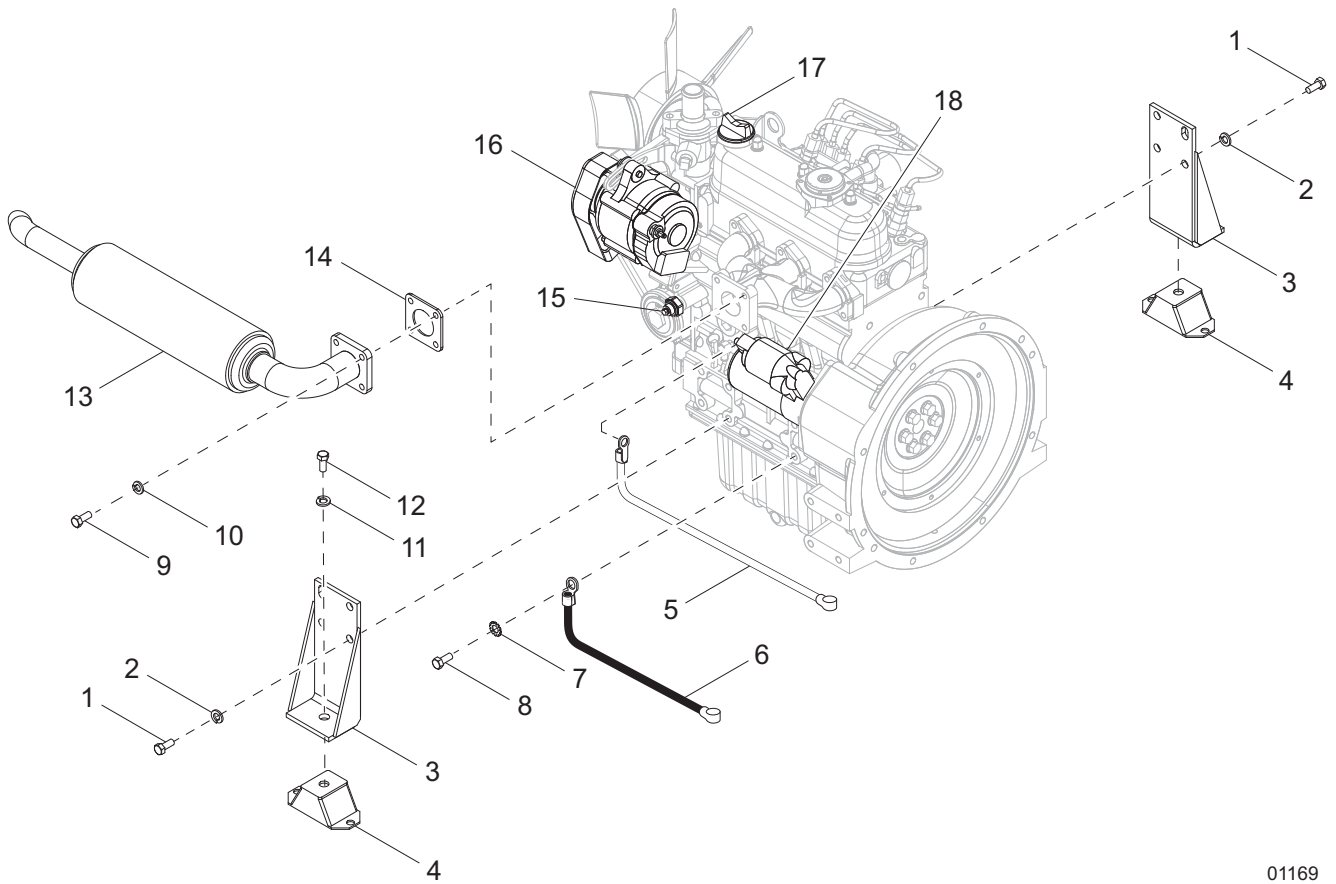
Item	Part No.	Qty	Description	Notes
1	15495	1	Fan, engine	
2	60087	4	Screw, M6-1.0 x 16 serrated flange hex, G8.8	
3	11628	1	Belt, V	
4	14099	1	Switch, coolant temperature	
5	10775	1	Filter, oil	
6	60778	4	Clamp, hose - .188, crimp style	
7	14211	1.3 ft	Hose, fuel - .188 ID, 50 psi, SAE 30R7	
8	14211	.167 ft	Hose, fuel - .188 ID, 50 psi, SAE 30R7	
9	17145	1	Fitting, T - .188 x .188 x .188 barb, nylon	
10	13481SRV	1	Filter, fuel	includes element
--	13515	1	Element, fuel filter	
11	60777	4	Clamp, hose - .312, crimp style	
12	50018	1.67 ft	Hose, fuel - .312 ID, 50 psi, SAE 30R7	
13	13278SRV	1	Pump, fuel	
14	60393	2	Screw, .250-20 x 1.0 standard hex, G5	
15	60243	4	Washer, .250 flat .735/.060	
16	50018	1 ft	Hose, fuel - .312 ID, 50 psi, SAE 30R7	
17	62001	4	Screw, .312-18 x 1.25 standard hex, G5	
18	60271	4	Washer, .312 split lock	
19	60119	8	Washer, .312 flat .875/.070	
20	61082	2	Screw, M8-1.25 x 20 standard hex, G8	
21	60029	2	Washer, M8 split lock	
22	13483B	1	Weldment, filter bracket	
23	60285	4	Nut, .312-18 hex, G2	
24	60144	2	Nut, .250-20 nylock, G5	
25	41235ZY	2	Spacer, .75 OD x .44 ID x 1.0 long	
26	16589	1	Hose, air cleaner	
27	60316	2	Clamp, hose - SAE 032 (1.56-2.50)	
28	10000021718	1	Filter, air, assembly	
29	16444	1	Element, air filter	
30	13310	1	Engine, Kubota - D1005-E3BG1-MGM-1	

Heated Fuel Filter: (if equipped)

A	13834	1	Gasket, heated fuel filter
B	13682	1	Heater, fuel filter
C	10407	1	Adapter, heated fuel filter
D	13515	1	Element, heated fuel filter
--	10662	1	Harness, fuel filter heater - outside
--	13684	1	Harness, fuel filter heater - inside

Note: Engine and generator parts used in all Generac Mobile Products equipment carry the Original Equipment Manufacturer (OEM) warranty unless otherwise stated. OEM warranty parts must be purchased through an OEM dealer. Some Kubota engine parts are serial number specific. Please contact **Kubota Engine America Corp.** or the Generac Mobile Products Technical Service Department for information regarding engine parts.

ENGINE ASSEMBLY - KUBOTA RIGHT SIDE



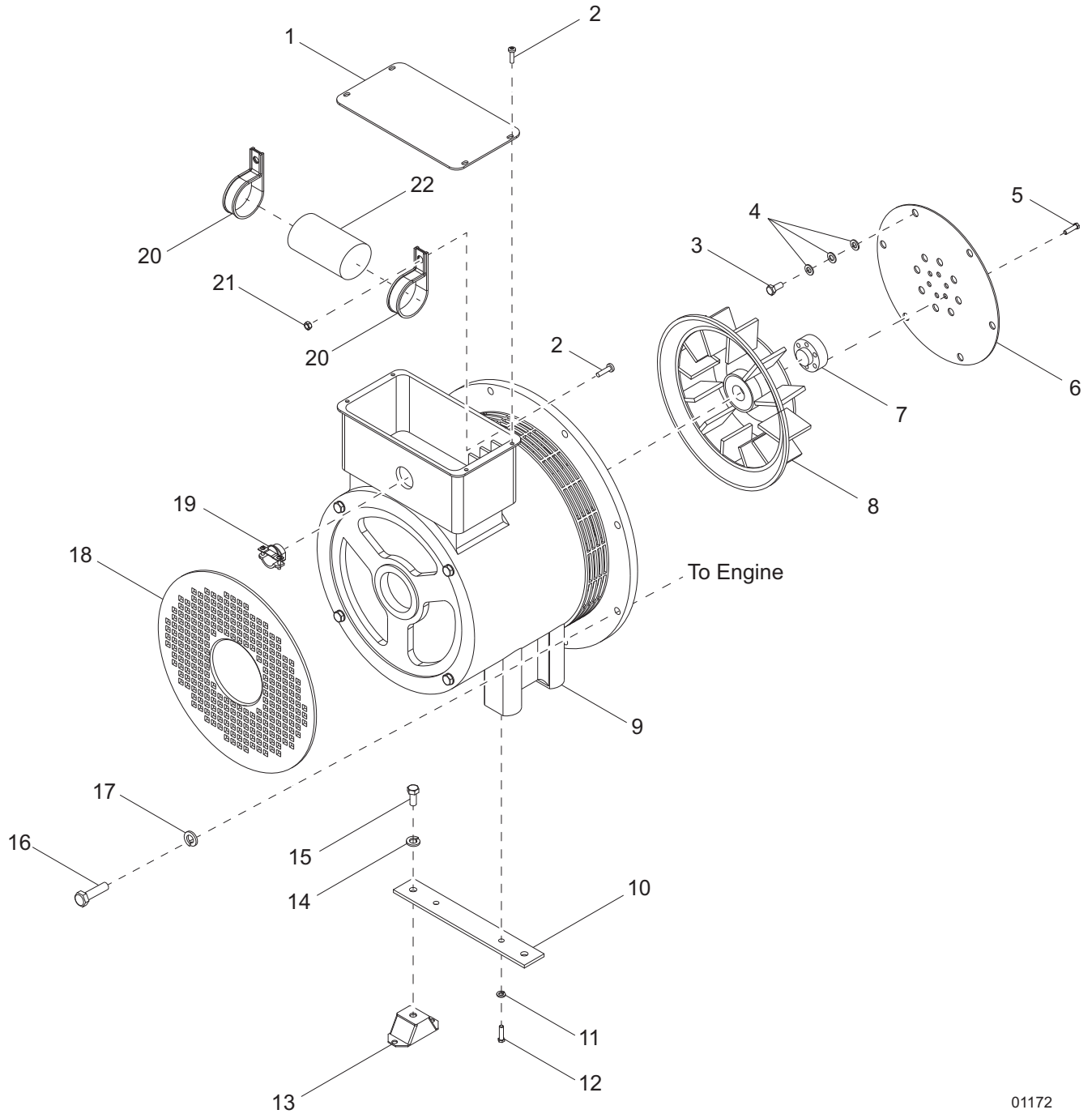
01169

ENGINE ASSEMBLY - KUBOTA RIGHT SIDE

Item	Part No.	Qty	Description	Notes
1	60422	8	Screw, M10-1.25 x 25 standard hex, G8.8	
2	60026	8	Washer, M10 split lock	
3	12338B	2	Weldment, engine mount	
4	15241	2	Isolator, rubber - 80-200 lbs, 2 inch wide	
5	15074	1	Cable, battery - 38 inch., 4GA red, .438 inch lug	
6	15073	1	Cable, battery - 24 inch., 4GA black, .438 inch lug	
7	60747	1	Washer, .375 internal star	
8	60495	1	Screw, M10-1.25 x 16 standard hex, G8.8	
9	63168	4	Screw, M8-1.25 x 30 standard hex	
10	60029	4	Washer, M8 split lock	
11	60702	2	Washer, .500 split lock, SS	
12	60275	2	Screw, .500-13 x 1.0 standard hex, G5	
13	13709	1	Muffler, 30 degree flare	
14	11042SRV	1	Gasket, muffler	
15	14099	1	Switch, coolant temperature	
16	12486	1	Alternator	
17	12484	1	Cap, oil filler	
18	30582	1	Starter	
--	10461	1	Harness, engine - Kubota	
<i>Silent Pack: (if equipped)</i>				
--	36391	1	Muffler, Kubota modified	

Note: Engine and generator parts used in all Generac Mobile Products equipment carry the Original Equipment Manufacturer (OEM) warranty unless otherwise stated. OEM warranty parts must be purchased through an OEM dealer. Some Kubota engine parts are serial number specific. Please contact **Kubota Engine America Corp.** or the Generac Mobile Products Technical Service Department for information regarding engine parts.

GENERATOR ASSEMBLY

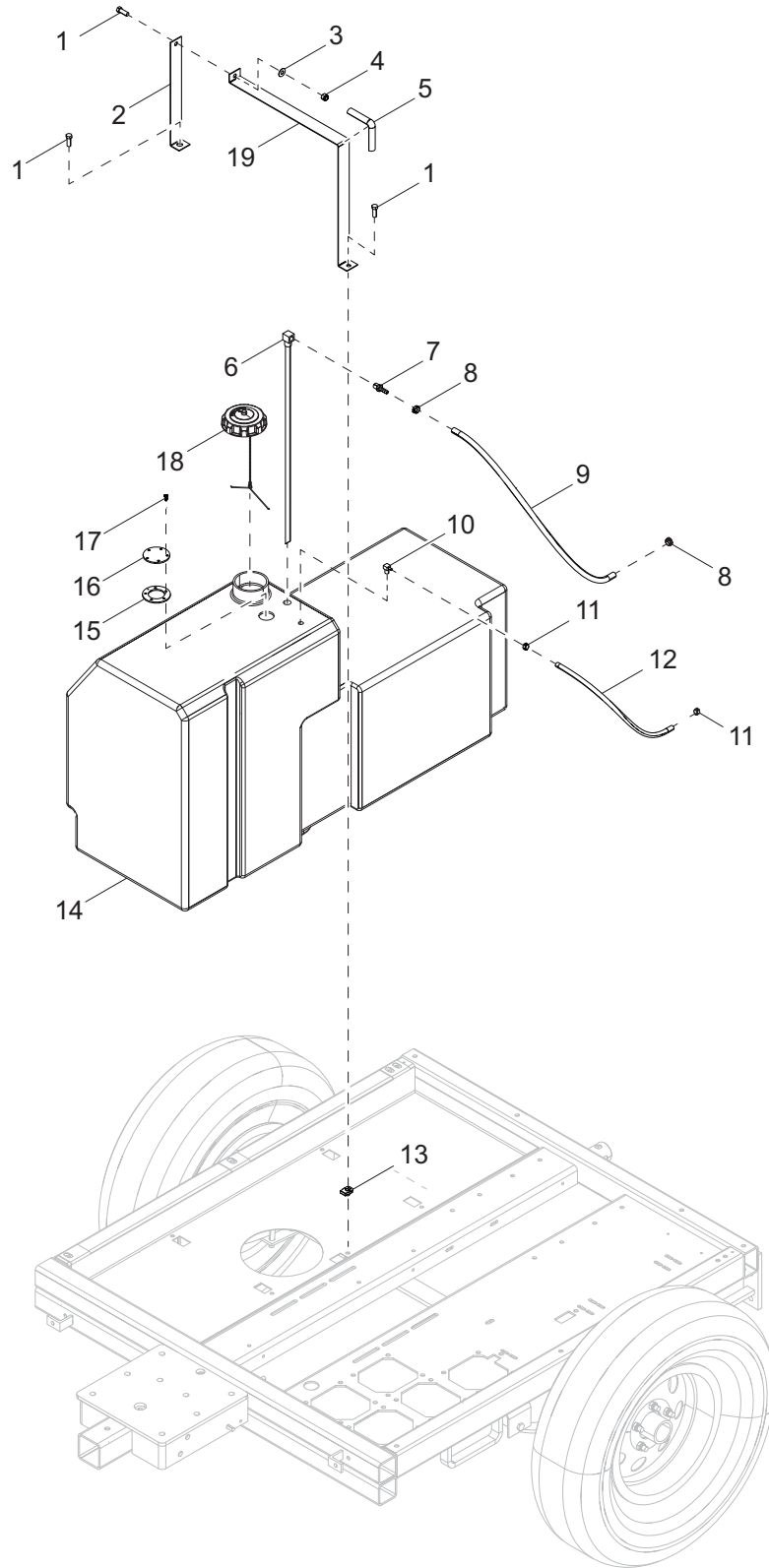


GENERATOR ASSEMBLY

Item	Part No.	Qty	Description	Notes
1	12736	1	Cover, generator - 6kW	
2	60398	6	Screw, 10-32 x 5.0 pan Phillips, SS	
3	60168	6	Screw, .312-18 x .750 standard hex, G5	MLT4060KV
--	60165	6	Screw, M8-1.25 x 16 standard hex, G10	MLT4060MV only
4	60166	18	Washer, M8 flat	MLT4060MV (qty 12 only)
5	11336	6	Screw, .375-24 x 1.75	
6	16123	1	Plate, drive - SAE 6.5	
7	11339	1	Spacer, generator drive plate	
8	12527	1	Fan, generator	
--	12329	1	Seal, pancake bearing - 6kW	Included w/item 9,
--	12328	1	Bearing, pancake - 6kW	Included w/item 9,
9	16556	1	Generator, Marathon - 6kW	
10	15045B	1	Bracket, generator	
11	60206	2	Washer, .375 split lock	
12	60205	2	Screw, .375-16 x 1.0 standard hex, G5	
13	15241	2	Isolator, rubber - 80-200 lbs, 2 inch wide	
14	60702	2	Washer, .500 split lock, SS	
15	60275	2	Screw, .50-13 x 1.0 standard hex, G5	
16	60352	8	Screw, .375-16 x 1.25 standard hex, G5	MLT4060KV
--	60494	8	Screw, M10-1.25 x 30 standard hex, G8.8	MLT4060MV
17	60206	8	Washer, .375 split lock	MLT4060KV
--	60026	8	Washer, M10 split lock	MLT4060MV
18	12327	1	Cover, pancake case	
19	14219	1	Strain relief - .750 Romex with nut	
20	16395	2	Clamp, capacitor	
21	61045	2	Nut, 10-32 serrated flange	
22	35132	1	Capacitor, 25 μ F 440V - 6kW	
--	16153	1	Harness, generator - 6kW	

Note: Engine and generator parts used in all Generac Mobile Products equipment carry the Original Equipment Manufacturer (OEM) warranty unless otherwise stated. OEM warranty parts must be purchased through an OEM dealer. Please contact Generac Mobile Products with questions.

FUEL TANK TO UNIT

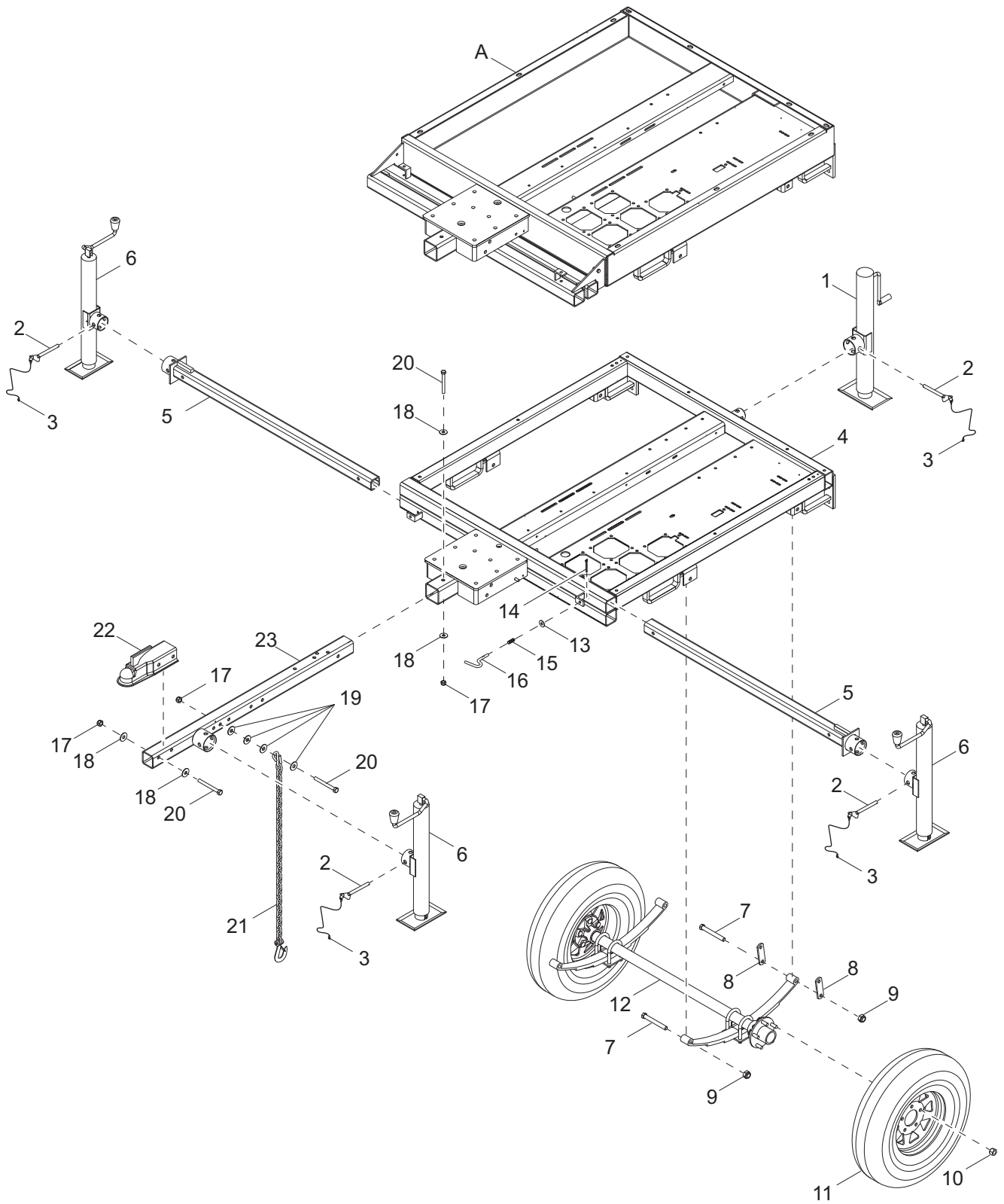


03481

FUEL TANK TO UNIT

Item	Part No.	Qty	Description	Notes
1	60334	3	Screw, .375-16 x 1.00 standard hex, G5	
2	12361B	1	Weldment, fuel tank strap	
3	60698	1	Washer, .375 flat .875/.040, SS	
4	60358	1	Nut, .375-16 nylock, G5	
5	50197	1	Weatherstripping	
6	12259	1	Fuel pick-up tube - 24 in	
7	15142	1	Fitting, str - .250NPT x .312 barb	
8	60777	2	Clamp, hose - .312, crimp style	
9	50018	3.0 ft	Hose, fuel .312 ID 50 PSI SAE 30R7	
10	16271	1	Fitting, 90° - .250NPT x .188 barb	
11	60778	2	Clamp, hose - .188, crimp style	
12	14211	2.5 ft	Hose, fuel - .188 ID, 50 psi, SAE 30R7	
13	60505	4	Nut, .312-18 U-clip - long type	
14	39998	1	Tank, fuel - 56 gallon	
15	N/A	1	Gasket, plate cover	w/ A0001557886
16	N/A	1	Plate, cover	w/ A0001557886
17	N/A	5	Screw, 10-24 x .500 pan Phillips, G2	w/ A0001557886
18	12137	1	Cap, fuel tank, with lanyard	
19	12359B	1	Weldment, fuel strap -large	
--	A0001557886	1	Kit, sender plate	Inc items 16,17,18

TRAILER ASSEMBLY



03482

TRAILER ASSEMBLY

Item	Part No.	Qty	Description	Notes
1	13050	1	Jack, side wind - tube mount	
2	23256	4	Pin, jack - 2000 lb, tube mount	
3	12647	4	Cable, tether - jack pin and ground rod cover	
4	13335B	1	Weldment, chassis	
5	69813Z	2	Weldment, outrigger tube jack mount	
6	13051	3	Jack, top wind	
7	60503	6	Screw, shackle, .562-18 x 3.0 std hex, G5	
8	19637	4	Plate, shackle bracket	
9	60504	6	Nut, .562-18 lock, G5	
10	60096	10	Nut, .500-20 lug, G5	
11	15976B	2	Wheel, ST175/80D13, 1360 lb	
12	13131	1	Axle, 3000lb	
13	35275	2	Washer, .375 flat .416 x .820 x .057	
14	35274	2	Cotter pin - .078 x 1.0	
15	35273	2	Spring, compression, .562 x 1.5	
16	35272	2	Pin, plunger - .375	
17	62221	4	Nut, .500-13 nylock, G5	
18	60309	3	Washer, flat 1.060/.090	
19	60416	8	Washer, .500 flat 1.375/.090	
20	50215	4	Screw, .500-13 x 4.0 std hex, G5	
21	23367	2	Chain, safety	
22	16830	1	Coupler, 2.0 ball/2.5 channel	
23	70184B	1	Weldment, removable tongue - tube mount jack	

Containment: (if equipped)

A	33243B	1	Weldment, chassis, containment	
---	--------	---	--------------------------------	--

Trailer Plug Adapters: (if equipped)

--	65463	1	Adapter, trailer wiring - flat 4 to round 6 pin	
--	65464	1	Adapter, trailer wiring - flat 4 to round 7 pin	
--	65465	1	Adapter, trailer wiring - flat 4 to round 7 blade	

TRAILER - HITCH OPTIONS

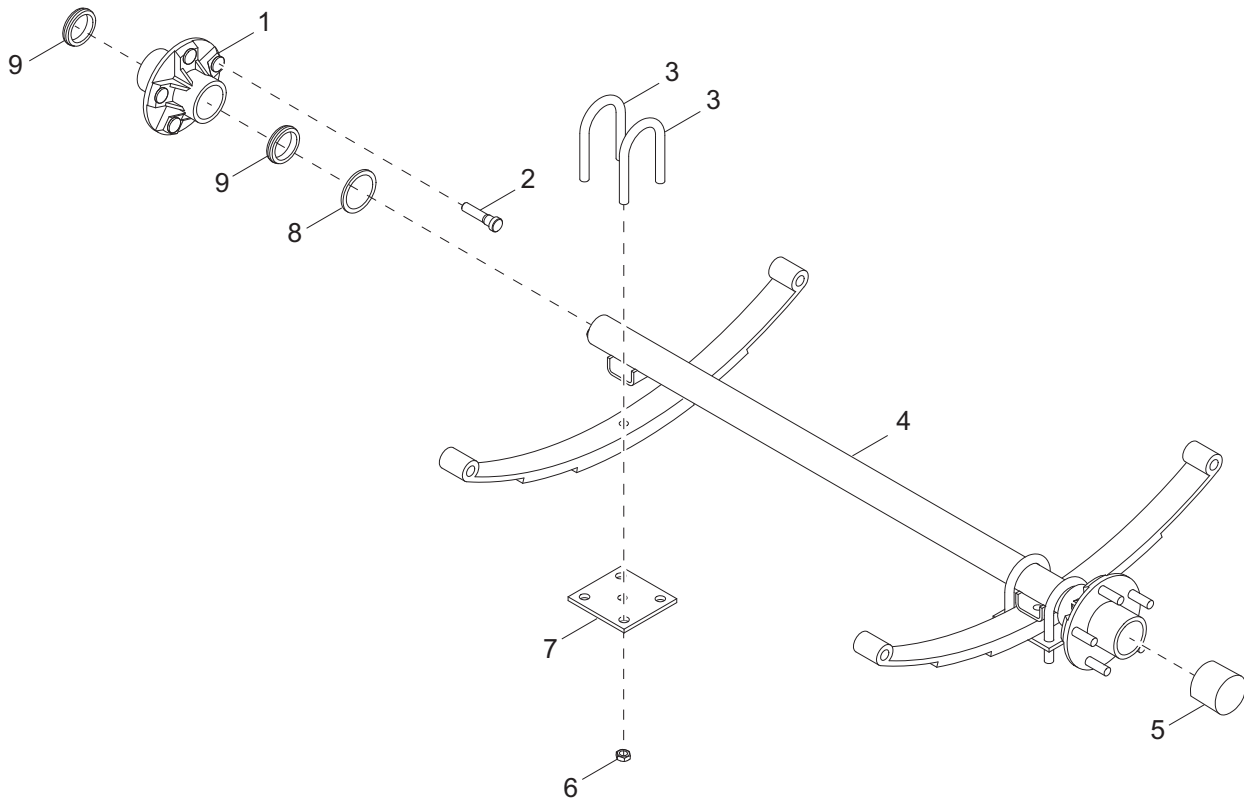


02389

TRAILER - HITCH OPTIONS

Item	Part No.	Qty	Description	Notes
<i>Hitches:</i>				
1	62221	2	Nut, .500-13 nylock, G5	
2	60309	4	Washer, .500 flat 1.060/.090	
3	50215	2	Screw, .500-13 x 4.0 standard hex, G5	
4	12155B	4	Spacer, coupler	
5	13003B	1	Coupler, 2.0 ball/3.0 channel	
6	16741ZC	1	Weldment, combination hitch - 2.50 tongue	
7	16999B	1	Weldment, Lunette ring - 2.5 x 1.0 ring/2.50 tongue	
8	16835B	1	Weldment, Lunette ring - 3.0 x 1.0 ring/2.50 tongue	
9	11672B	1	Weldment, hitch - 3.0 x 1.625 ring/2.50 tube	
10	12229	1	Coupler, 2.31 ball/3.0 channel	
11	60376	2	Screw, .500-13 x 4.50 standard hex, G5	

AXLE ASSEMBLY

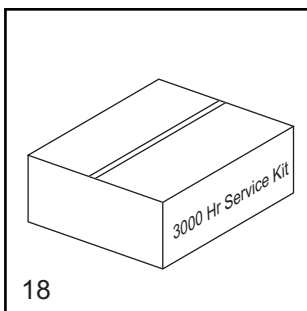
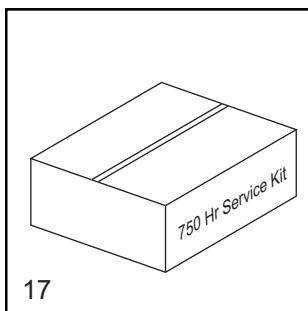
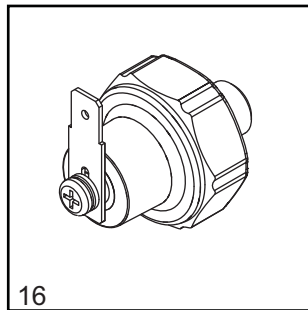
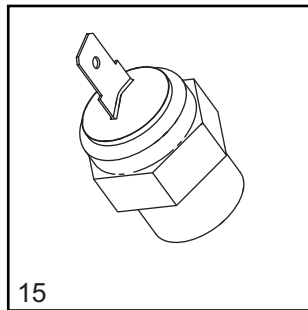
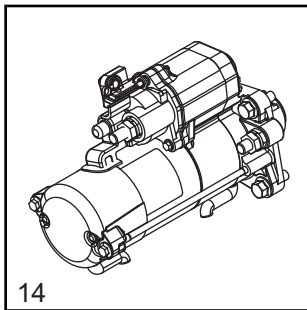
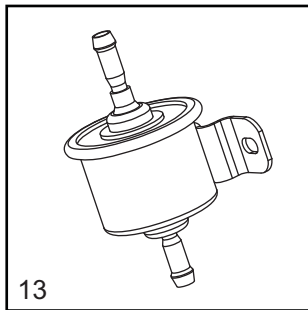
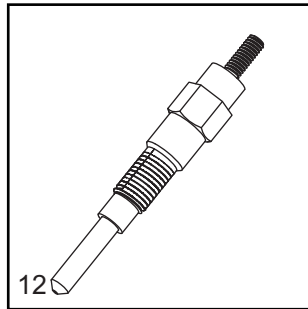
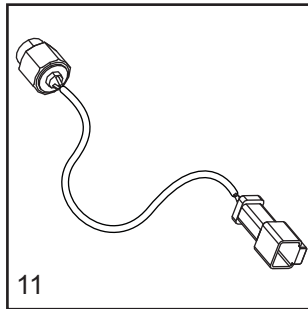
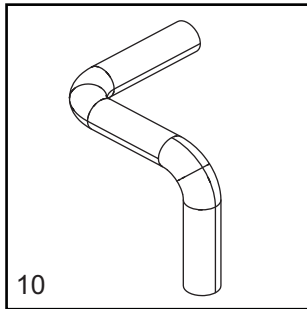
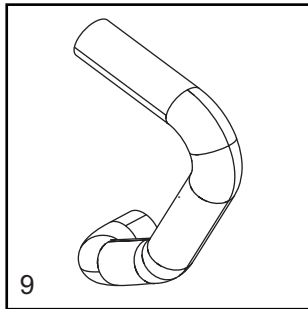
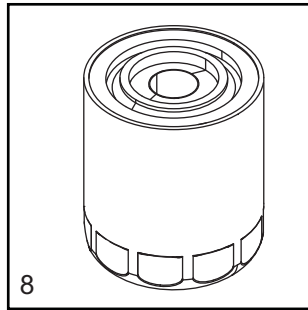
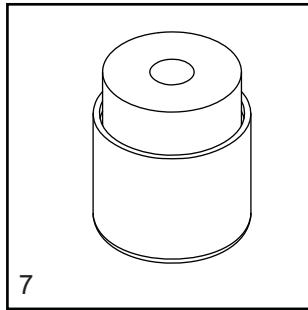
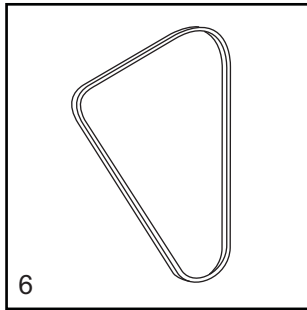
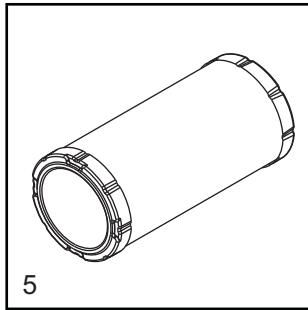
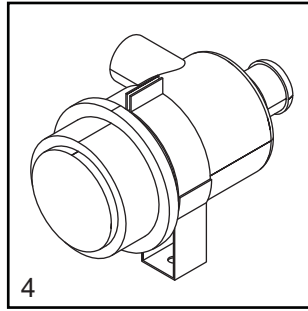
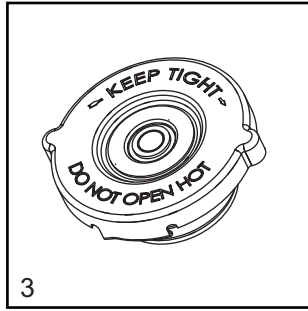
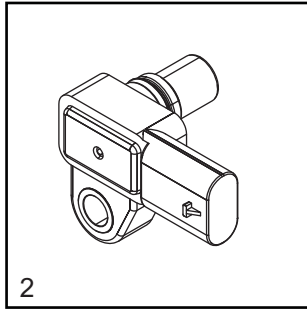
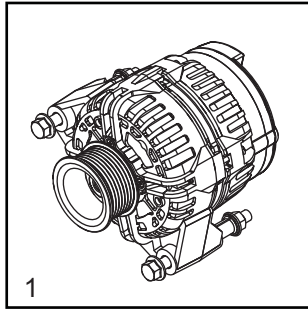


01746

AXLE ASSEMBLY

Item	Part No.	Qty	Description	Notes
1	11206	2	Axle hub w/studs and outer races	
2	60674	10	Stud, wheel, .500-20 wheel, G8	
3	11201	4	Bolt, U - 2200 lb	
4	16593	1	Axle, 2200 lb 56TC 45SC	
5	12460	2	Cap, wheel bearing	
6	11203	8	Nut, U-bolt, 2200 lb	
7	11202	2	Tie-plate, 2200 lb	
8	13000	2	Seal - 2200 lb	
9	11511	4	Bearing, roller	Includes bearing races

RECOMMENDED SPARE PARTS - ENGINE AND SERVICE KITS - MITSUBISHI



RECOMMENDED SPARE PARTS - ENGINE AND SERVICE KITS - MITSUBISHI

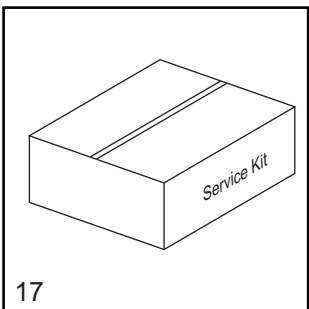
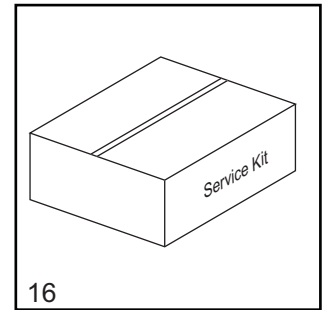
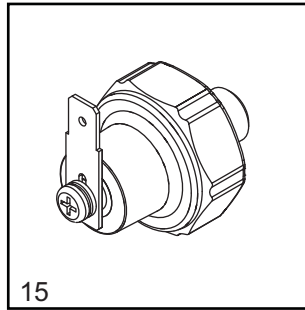
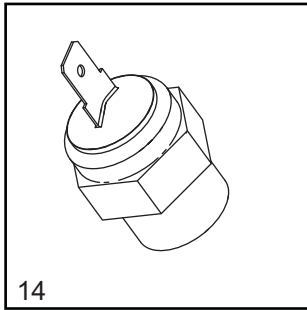
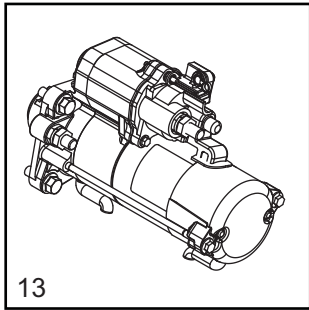
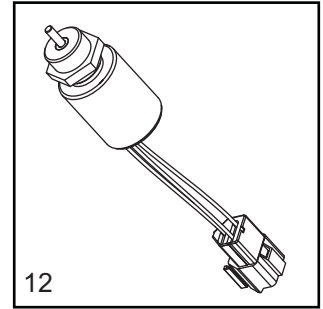
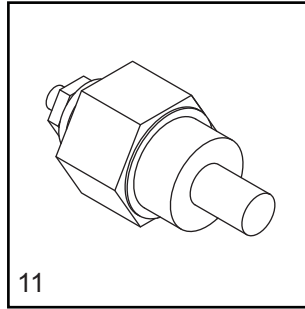
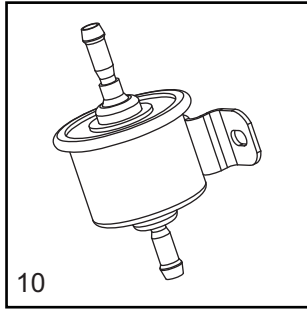
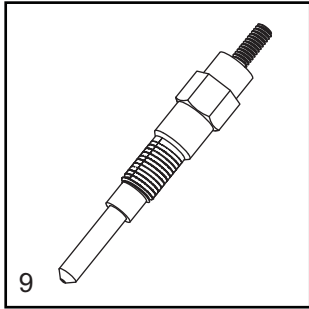
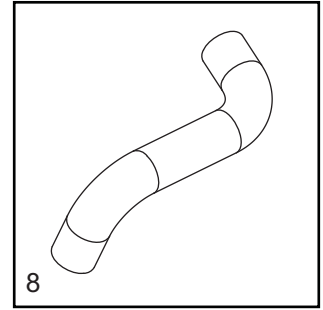
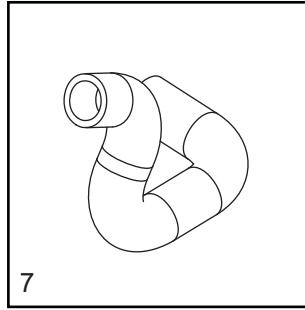
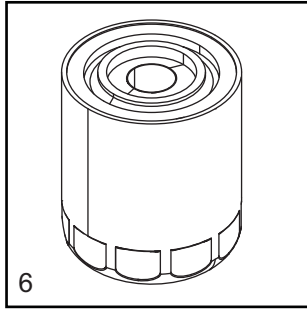
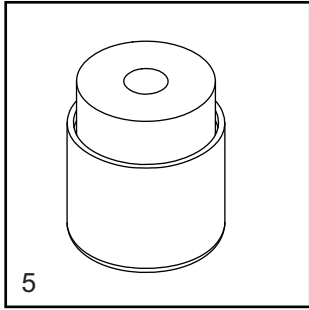
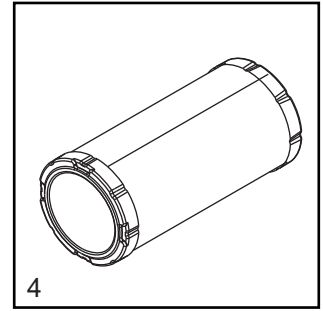
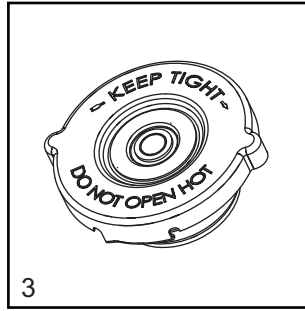
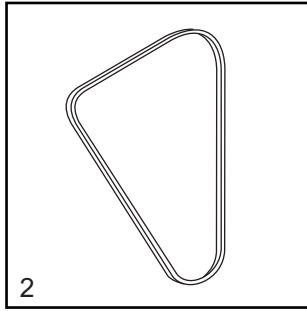
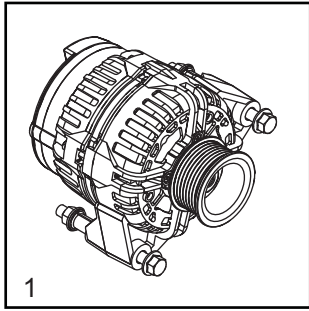
ENGINE

1. Alternator	A0000083440
2. Atmospheric pressure sensor	72175SRV
3. Cap, fuel tank with lanyard	16326
4. Cap, radiator	19219
5. Filter, air (element).....	16444
6. Belt	10386
7. Filter, fuel, Mitsubishi	17641SRV
8. Filter, oil, Mitsubishi (after break-in filter 16691).....	70124
9. Hose, radiator - lower	16688SRV
10. Hose, radiator - upper.....	32383SRV
11. Magnetic pick-up.....	A0000116158
12. Plug, glow	16693SRV
13. Pump, fuel	13278SRV
14. Starter	70232
15. Switch, coolant temperature	16678
16. Switch, oil pressure	16677

SERVICE KITS

17. 750 hour kit.....	10000036108
Includes: Air Filter 16444, Fuel Filter Element 17641SRV and Oil Filter 70124	
18. 3000 hour kit.....	SK335
Includes: Engine Belt 10388 (2), Air Filter 16444 (4), Fuel Filter Element 17641SRV(4), and Oil Filter 70124 (4)	

RECOMMENDED SPARE PARTS - ENGINE AND SERVICE KITS - KUBOTA



RECOMMENDED SPARE PARTS - ENGINE AND SERVICE KITS - KUBOTA

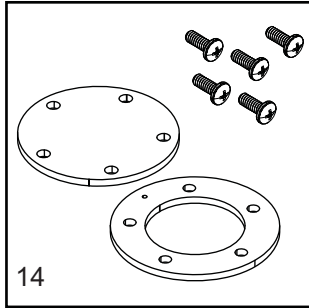
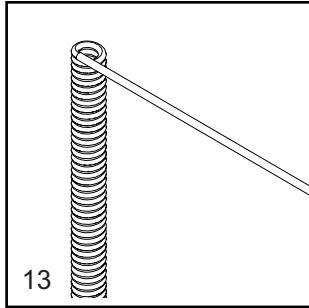
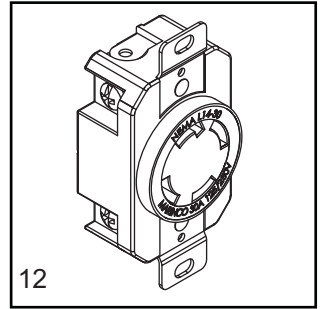
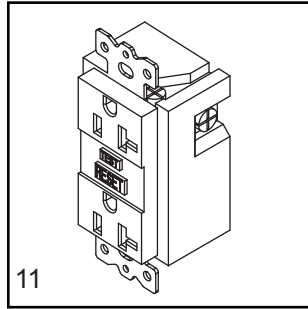
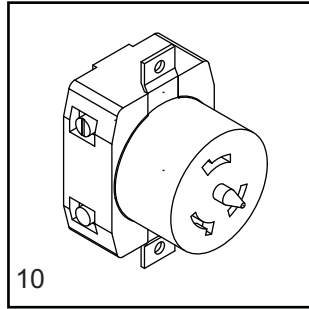
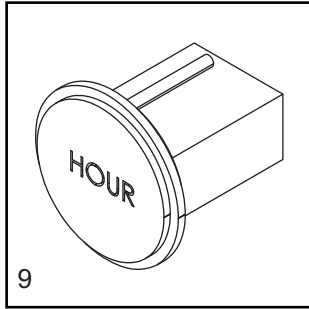
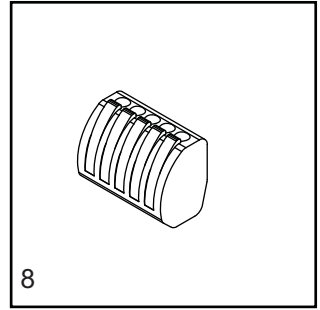
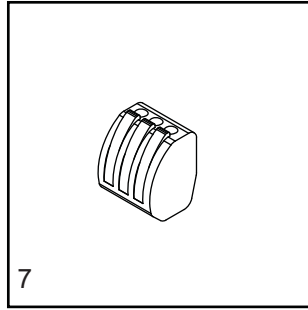
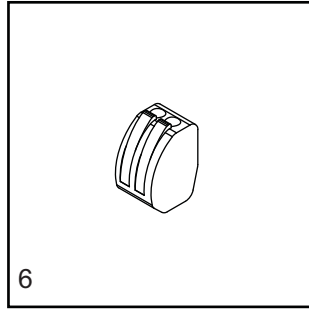
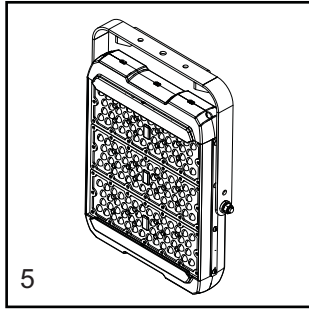
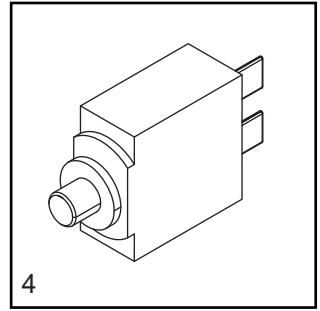
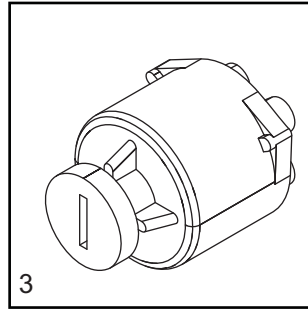
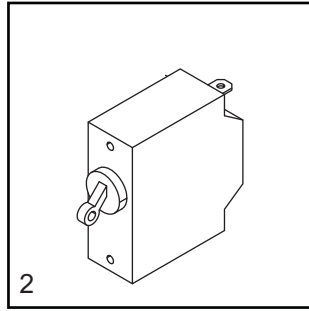
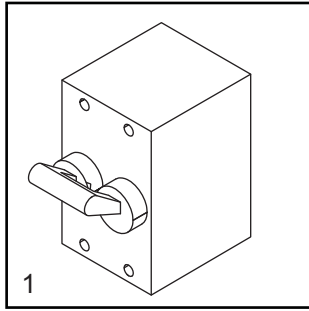
ENGINE

1. Alternator	12486
2. Belt, V, Kubota	11628
3. Cap, radiator	19219
4. Filter, air (element)	16444
5. Filter, fuel element, Kubota	13515
6. Filter, oil, Kubota D1005/D1105	10775
7. Hose, lower radiator, Kubota	12350
8. Hose, upper radiator Kubota	36977
9. Plug, glow, Kubota (start SN 489916)	13238
10. Pump, fuel	13278SRV
11. Sender, coolant temp	12873
12. Solenoid, fuel shutdown (2 wire)	13018
13. Starter- Kubota D1005	30582
14. Switch, coolant temperature - Kubota D850	14099
15. Switch, oil pressure, Kubota D905	15375

SERVICE KITS

16. 750 hour kit	10000036039
Includes: Air Filter Element 16444, Fuel Filter Element 13515 and Oil Filter 10775	
17. 3000 hour kit	SK152
Includes: Engine Belt 11628 (4), Air Filter Element 16444 (4), Fuel Filter Element 13515 (4), and Oil Filter 10775 (4)	

RECOMMENDED SPARE PARTS - ELECTRICAL

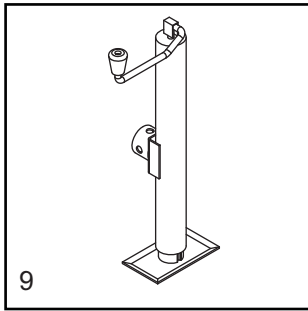
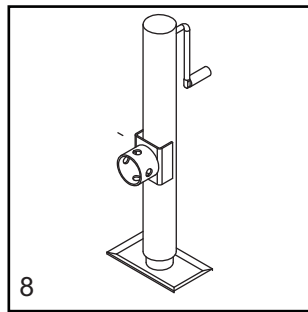
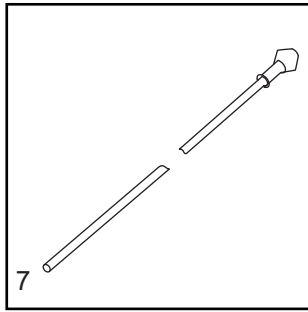
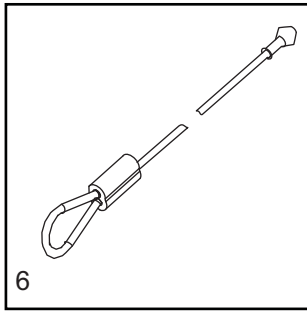
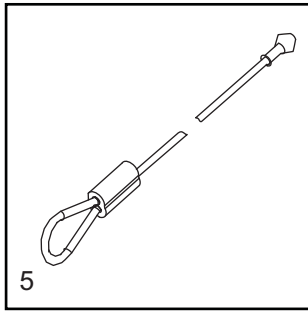
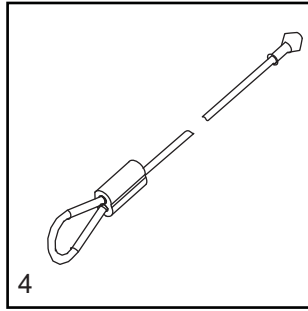
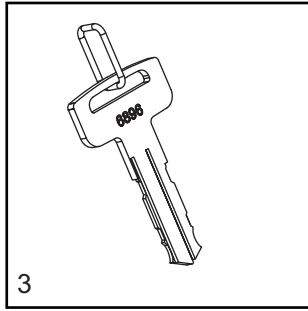
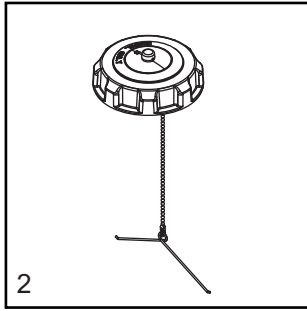
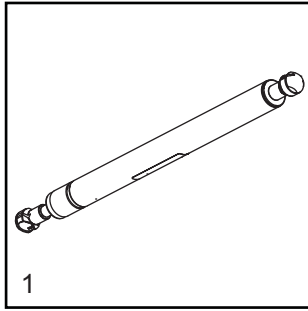


RECOMMENDED SPARE PARTS - ELECTRICAL

ELECTRICAL

1. Breaker, 70A, 250V, 2 pole, AM stud terminal	60736
2. Breaker, 15A 250V, 1 pole	14249
3. Switch, key	15195SRV
4. Breaker, 10A 240V, 1 pole - push button	65850
5. Assembly, 320W LED light fixture.....	A0000948785
6. Connector, 2 position (qty - 4)	66100
7. Connector, 3 position (qty - 2)	66101
8. Connector, 5 position (qty - 1)	66102
9. Gauge, hour meter	15085
10. Receptacle, 240V/50A twist lock	18089
11. Receptacle, 120V/20A GFI	14130
12. Receptacle, 240V/30A twist L14-30R	65488
13. Coil cord	1195418.
14. Kit, sender plate.....	A0001557886

RECOMMENDED SPARE PARTS - MISC



RECOMMENDED SPARE PARTS - MISC

ENCLOSURE

1. Gas shock..... 35137
2. Cap, fuel tank with lanyard 16326
3. Key (set of two)..... 15309

MAST

4. Cable, 69.25 in 34128
5. Cable, 69.75 in 34129
6. Cable, 67.875 in 34130
7. Cable, 116.00 in..... 34132

JACKS

8. Jack, side wind, 2000 lb 13050
9. Jack, top wind, 2000 lb 13051

Part No. A0001521579 Rev. A 05/11/2021

©2021 Generac Mobile Products, LLC

All rights reserved.

Specifications are subject to change without notice.

No reproduction allowed in any form without prior written consent
from Generac Mobile Products, LLC.

GENERAC | **MOBILE**

Generac Mobile Products, LLC
215 Power Drive, Berlin, WI 54923

GeneracMobileProducts.com | 800-926-9768 | 920-361-4442