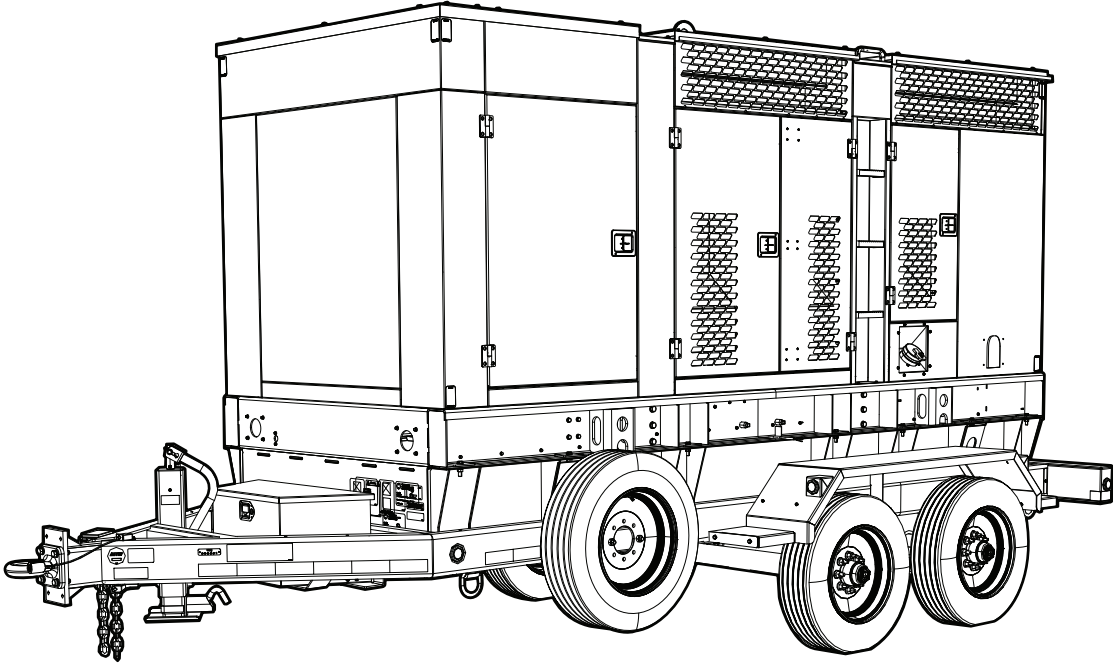


MDE330P

Diesel Generator Parts Manual



03914

MODEL NUMBER: _____

SERIAL NUMBER: _____

DATE PURCHASED: _____

SAVE THIS MANUAL FOR FUTURE REFERENCE

 **WARNING**

Breathing diesel engine exhaust exposes you to chemicals known to the State of California to cause cancer and birth defects or other reproductive harm.

- Always start and operate the engine in a well-ventilated area.
- If in an enclosed area, vent the exhaust to the outside.
- Do not modify or tamper with the exhaust system.
- Do not idle the engine except as necessary.

For more information go to

www.P65Warnings.ca.gov/diesel. (000394)

Introduction

This parts manual was prepared based on the information available at the time of publication and is subject to change without notice. Generac Mobile reserves the right to change parts at any time. To check whether a revised parts manual is available, contact Generac Mobile.

DO NOT MODIFY or use this equipment for any application other than which it was designed for. To keep your equipment fully operational, it is suggested you maintain a stock of commonly used maintenance or service parts. A recommended spare parts list can be found in the back of this manual. To order service parts, please go to www.generacmobileproducts.com or call Generac Mobile.

⚠ WARNING



Consult Manual. Read and understand manual completely before using product. Failure to completely understand manual and product could result in death or serious injury. (000100a)

⚠ WARNING

Environmental Hazard. Always recycle batteries at an official recycling center in accordance with all local laws and regulations. Failure to do so could result in environmental damage, death, or serious injury. (000228)

GENERAC MOBILE PRODUCTS LLC

215 Power Drive • Berlin, WI 54923 U.S.A.

Phone: 920-361-4442

FAX: 920-361-4416

Toll Free: 1-800-926-9768

www.generacmobileproducts.com

For technical or parts QUESTIONS, contact Generac Mobile Technical Service at 1-800-926-9768.

Engine Make: _____

Engine Serial Number: _____

Engine Model Number: _____

This Page Intentionally Left Blank

Table of Contents

Introduction	iii
Parts Manual Instructions	1
Unit Decals - Exterior	2
Unit Decals - Interior	4
Enclosure Panels	8
Doors to Unit	10
Front Door Assembly - Right	12
Front Door Assembly - Left	14
Control Door Assembly	16
Door Assembly - Breaker Box	18
Vented Door Assembly - LR	20
Vented Door Assembly - RR	22
Double Door Assembly 2 - Left	24
Double Door Assembly 1 - Left	26
Vented Door Assembly 2 - Right	28
Double Door Assembly 1 - Right	30
Roof Assembly	32
Rear Panel Assembly	34
Front Panel Assembly	36
Receptacle Box Assembly	38
Control Box Assembly	40
Breaker/Lug Box Assembly	42
Paralleling Option	44
Lug Panel Assembly - Standard	46
Lug Panel Assembly - US	48
Lug Panel Assembly - Canada	50
Engine Assembly - Left Side	52
Engine Assembly - Right Side	54
Generator Assembly	56
Generator Conductor Assembly	58
Link Board Assembly	60
Engine and Generator To Unit	62
Cooling System Assembly	64
Lift Structure Assembly (1 of 2)	66
Lift Structure Assembly (2 of 2)	68
Tank Assembly	70
Tank To Trailer Or Skid Assembly	72
Trailer Assembly/Options	74
Recommended Spare Parts - Engine and Service Kits	76
Recommended Spare Parts - Electrical	78

Parts Manual Instructions

Product illustrations are only representations. Products supplied may vary from the illustrations in this parts manual. Parts not shown in the illustration are indicated by a double dash (--) in the item column.

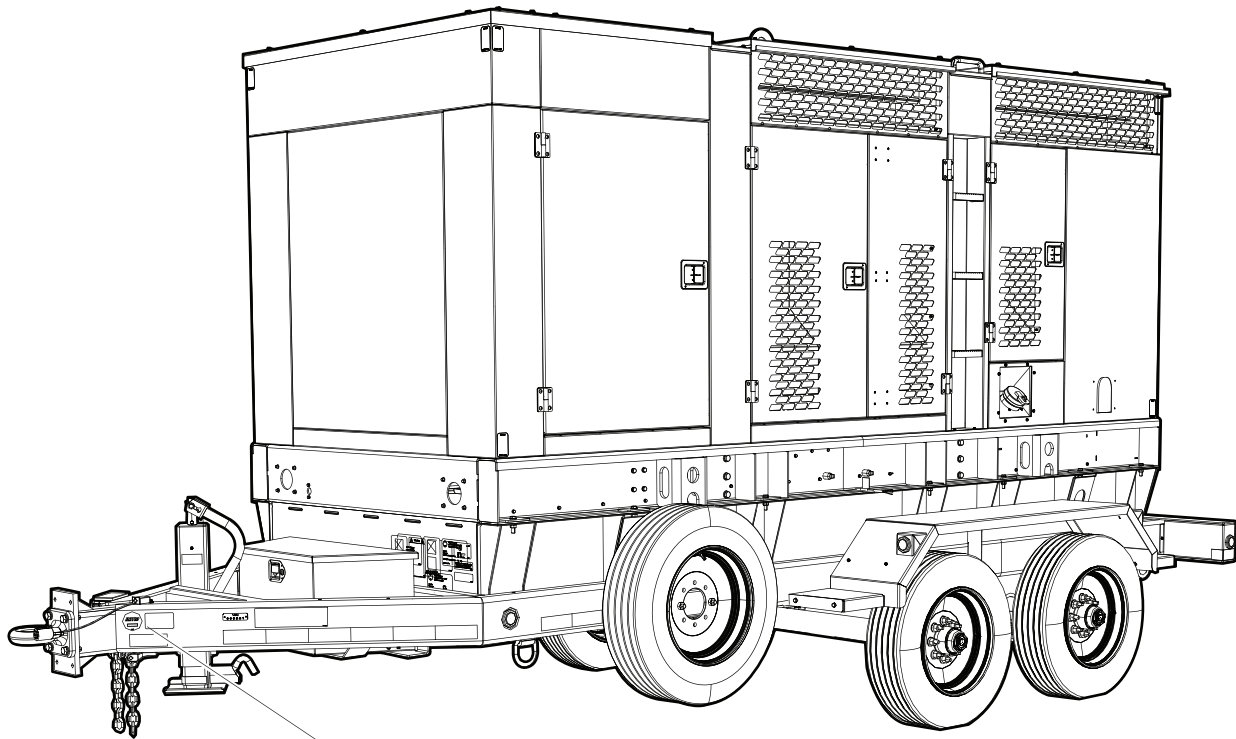
Please be prepared to provide the following information when ordering replacement parts: model number, serial number (on unit serial tag), part number, purchase order number (if applicable), shipping address, shipping method.

Refer to the illustration below to locate the unit ID tag and Vehicle Identification Number (VIN) tag on the unit. Important information, such as the unit serial number, model number, VIN and tire loading information are found on these tags. Record the information from these tags so it is available if the tags are lost or damaged. When ordering parts or requesting assistance, you may be asked to provide this information.

Unit ID Tag

GENERAC		GENERATOR DATA	
GENERATOR UNIT		DUTY: <input type="checkbox"/>	ALTRN TYPE: <input type="checkbox"/>
GEN MODEL: <input type="text"/>		INSL CLASS: <input type="checkbox"/>	AMBIENT TEMP: <input type="checkbox"/> RPM: <input type="checkbox"/>
MODEL: <input type="text"/>		PH: <input type="checkbox"/> VAR: <input type="checkbox"/> HT: <input type="checkbox"/> PF: <input type="checkbox"/> KW: <input type="checkbox"/> KVA: <input type="checkbox"/> AMPS: <input type="checkbox"/> FC: <input type="checkbox"/> CORR: <input type="checkbox"/>	
OTHER NO: <input type="text"/>			
SERIAL: <input type="text"/>			
<input type="checkbox"/> BAR CODE S/N			
PROD DATE: <input type="text"/>		MT 18 10% OVERLOAD FOR 2 HRS IN A 24 HR PERIOD	
COUNTRY OF ORIGIN: <input type="text"/>		GENERAC POWER SYSTEMS, INC.	
MANUF PLANT: <input type="text"/>		WAUKESHA, WI USA	

Inside Controller Door at Rear of Unit

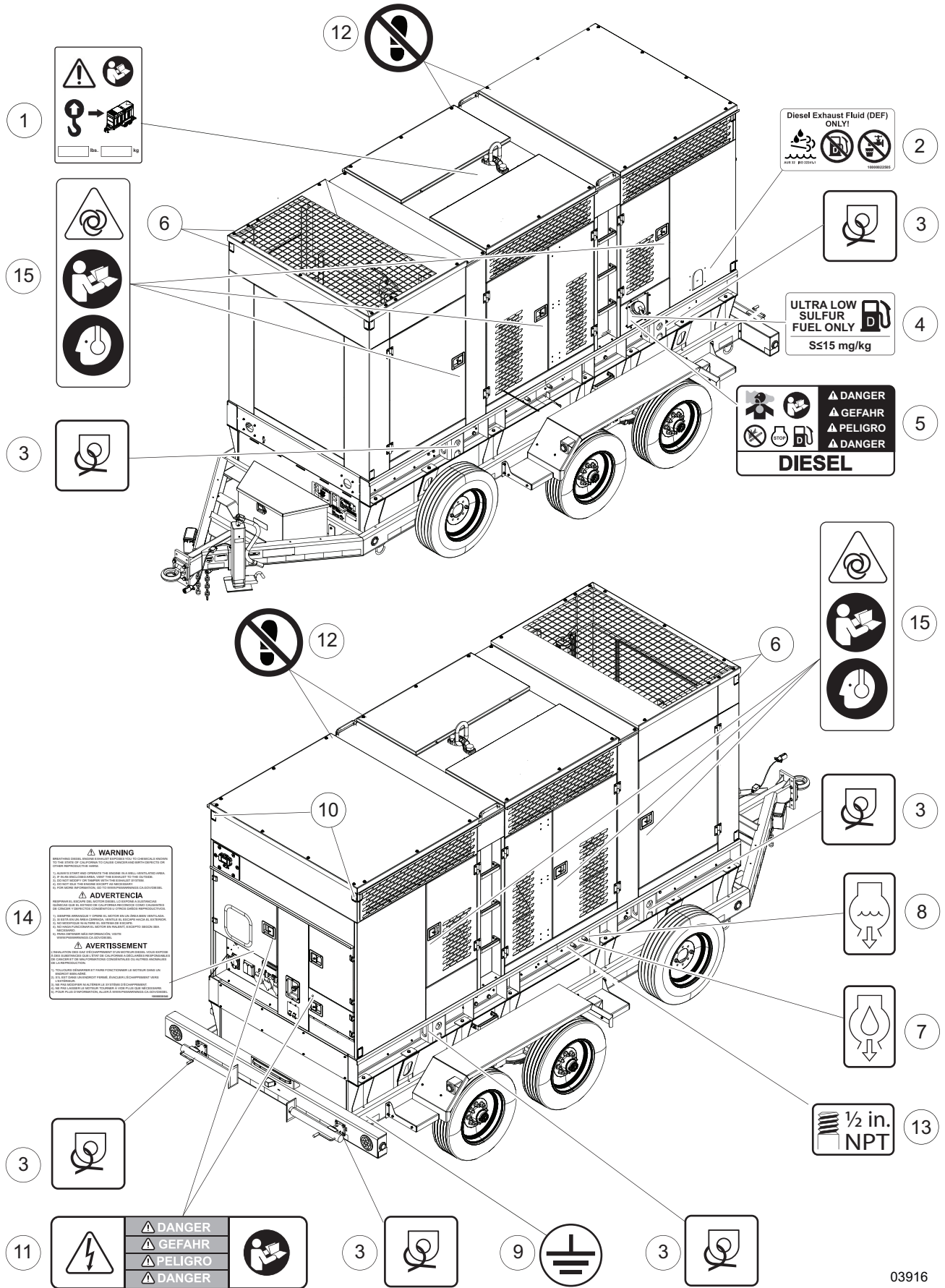


VIN Tag

MANUFACTURED BY/FABRIQUE PAR: Generac-Mobile Products, LLC		DATE: 00/0000	TIRE AND LOADING INFORMATION RENSEIGNEMENTS SUR LES PNEUS ET LE CHARGEMENT The weight of cargo should never exceed 0000KG (0000LBS) Le poids du chargement ne doit jamais dépasser 0000KG (0000LBS)
GVWR/PNEV: 000KG (000LBS)		COLD INF PRESS./PRESS. DE	
GAWR / PNEU	TIRE / PNEU	RIM / JANTE	SEE OWNER'S MANUAL FOR ADDITIONAL INFORMATION VOIR LE MANUEL DE L'USAGER POUR PLUS DE RENSEIGNEMENTS
EACH AXLE		CONF A FROID - KPA(P/SI/PC) SGL / DUAL	
<small>THIS VEHICLE CONFORMS TO ALL APPLICABLE STANDARDS PRESCRIBED UNDER THE U.S. FEDERAL MOTOR VEHICLE SAFETY STANDARDS/REGULATIONS AND CANADIAN MOTOR VEHICLE SAFETY REGULATIONS IN RESPECT TO THE DATE OF MANUFACTURE. CE VEHICULE EST CONFORME A TOUTES LES NORMES DE SECURITE APPLICABLES EN VERTU DU REGLEMENT SUR LA SECURITE DES VEHICULES AUTOMOBILES DE CONSTRUCTION VEHICULAIRE AU CANADA.</small>			
VIN: N / V: 0000000000000000		MODEL: XXX000	
		TYPE: TRAILER	

03915

UNIT DECALS - EXTERIOR



03916

UNIT DECALS - EXTERIOR

Item	Part No.	Qty	Description	Notes
1	A0003084208	1	DECAL ISO LIFT SERIES 2 DIESEL	
2	10000022505	1	DECAL DEF FLUID ONLY FILL	
3	10000022772	8	DECAL ISO TIE DOWN POINT 35MM	
4	10000023715	1	DECAL ULTRA LOW SULFUR FUEL	
5	10000022514	1	DECAL DIESEL FUEL ONLY FILL	
6	A0000617188	6	REFLECTOR AMBER 2X3.5 SAE A PSA	
7	10000019336	1	DECAL ISO ENGINE OIL DRAIN	
8	A0002280027	1	DECAL ISO ENGINE COOLANT DRAIN	
9	10000022308	1	DECAL CONNECTION LUG GND 32MM	
10	A0000617187	6	REFLECTOR RED 2X3.5 SAE A PSA	
11	10000023198	1	DECAL ELECT DANGER READ MANUAL	
12	A0000116412	5	DECAL DO NOT STEP	
13	10000027178	2	DECAL ISO THREAD 1/2 NPT	
14	10000038540	1	DECAL CA-PROP 65 FOR CI ENGINE	
15	A0000382483	6	DECAL SOUND READ MANUAL AUTO START	

UNIT DECALS - INTERIOR

1 [No smoking, No open flames, No sparks, No hot surfaces]

2 [Flammable liquid or gas, Hot surfaces]

3 [Operator's manual must be stored on machine. Replacement operator's manual can be ordered through your local Generac distributor. Das Benutzerhandbuch muss an der Maschine aufbewahrt werden. Zur Bestellung von Ersatzhandbüchern wenden Sie sich bitte an Ihren Generac-Händler. El manual del operador debe guardarse en la máquina. Puede solicitar un manual del operador de reemplazo a través de su distribuidor local de Generac. Ranger le manuel de l'utilisateur avec l'appareil. Un manuel de rechange peut être commandé auprès de votre distributeur Generac local. 1000023884]

4 [Grounding symbol]

5 [WAIT WHEN LIT, CAUTION BATTERY DISCONNECT, Wait for amber LED to go out BEFORE disconnecting the battery. DC power is required to purge the BCRDF lines and save operating data to the ECU.]

6 [No smoking, No open flames, No sparks, No hot surfaces]

7 [DANGER, GEFAHR, PELIGRO, DANGER]

8 [DANGER: Improper connection of generator to a building's electrical system can allow electrical current from the generator to backfeed into utility lines. This may result in electrocution of utility workers, fire or explosion. Connections to a building's electrical system must be made by a qualified electrician and comply with all applicable laws and electrical codes. GEFAHR: Das Stromaggregat/Anschluss eines Generators an das Stromnetz eines Gebäudes kann eine Beschädigung des elektrischen Systems vom Generator in die Stromleitungen verursachen. Dies kann zu einem Stromschlag, Feuer oder Explosion führen. Anschlüsse an ein Gebäudesystem müssen von einem qualifizierten Elektriker vorgenommen werden und mit allen einschlägigen Gesetzen und Vorschriften für elektrische Anlagen und alle geltenden Vorschriften für elektrische Anlagen. PELIGRO: La conexión inadecuada del generador al sistema eléctrico de un edificio puede hacer que el corriente eléctrica que generador se retroalimente en las líneas de servicio público. Esto puede provocar la electrocución de los trabajadores de servicios públicos, incendios o explosiones. Las conexiones al sistema eléctrico de un edificio deben ser realizadas por un electricista calificado, y cumplir con todas las leyes y normas de aplicación de los códigos eléctricos. DANGER: The incorrect connection of the generator to a building's electrical system can allow electrical current from the generator to backfeed into utility lines. This may result in electrocution of utility workers, fire or explosion. Connections to a building's electrical system must be made by a qualified electrician and comply with all applicable laws and electrical codes.]

9 [WARNING: Generator can automatically start which can cause serious injury. Disconnect battery before servicing. WARNUNG: Der Generator kann automatisch anspringen und schwere Verletzungen verursachen. Vor der Instandsetzung die Batterieentbindungen lösen. ADVERTENCIA: El generador puede arrancar automáticamente, lo que puede causar graves lesiones. Desconecte la batería antes de realizar el servicio técnico. AVERTISSEMENT: La génératrice peut démarrer automatiquement, ce qui peut entraîner des blessures graves. Débranchez la batterie avant de faire l'entretien.]

10 [Wiring diagrams for 400 VOLT 30 POSITION and 200 VOLT 30 POSITION]

11 [No smoking, No open flames, No sparks, No hot surfaces]

12 [No smoking, No open flames, No sparks, No hot surfaces]

13 [High voltage symbol]

14 [No smoking, No open flames, No sparks, No hot surfaces]

15 [No smoking, No open flames, No sparks, No hot surfaces]

On Back of Cabinets (2)

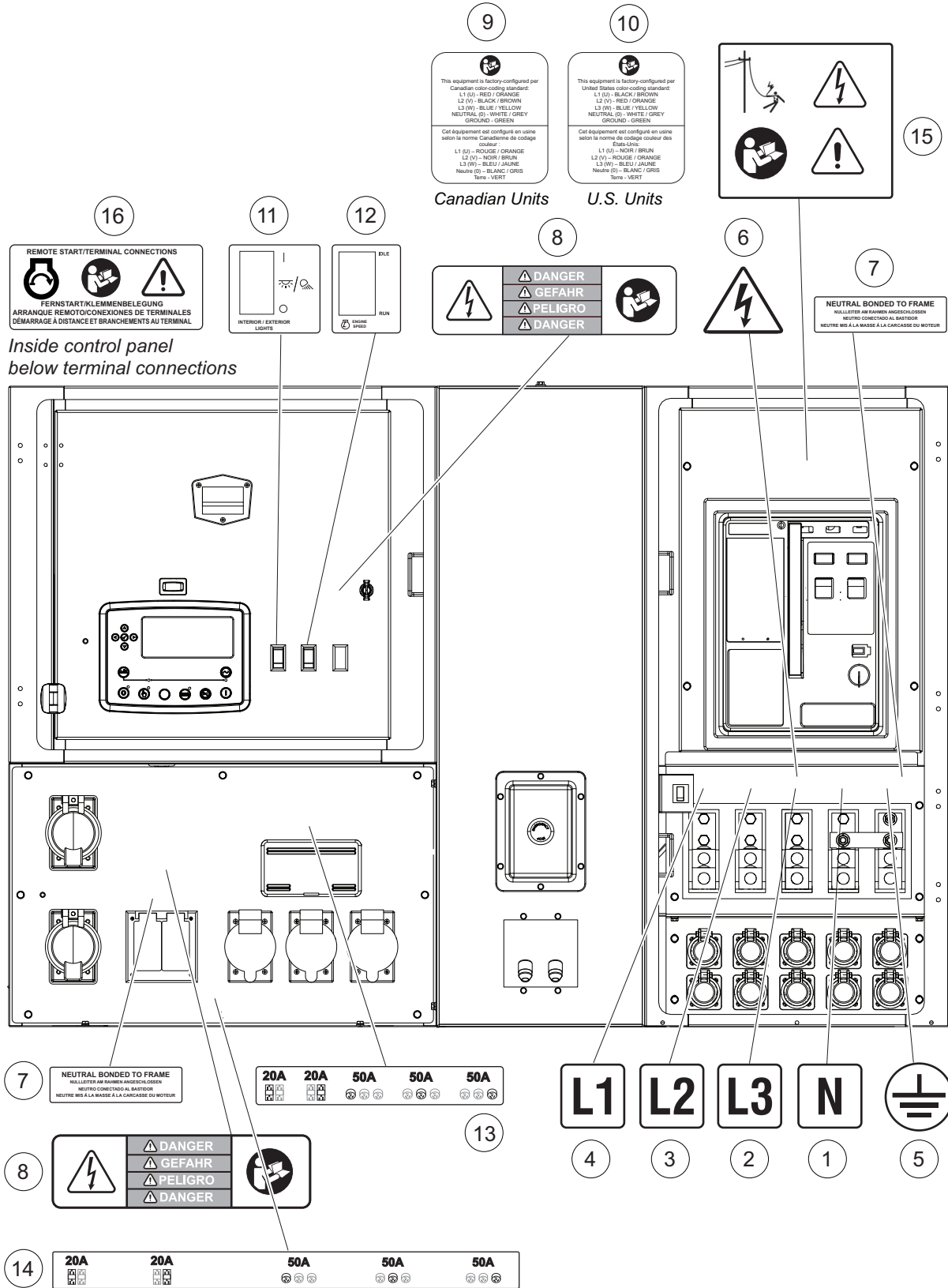
7 [DANGER, GEFAHR, PELIGRO, DANGER]

03917

UNIT DECALS - INTERIOR

Item	Part No.	Qty	Description	Notes
1	10000022644	1	DECAL FANBELT BLADE TEMP GUARD	
2	10000022551	2	DECAL RADIATOR FILL HAZARD	
3	10000023884	1	DECAL OPERATOR MANUAL STORAGE	
4	10000022308	1	DECAL GROUND	
5	A0001944388	1	DECAL BATTERY DISCONNECT MOBILE	
6	10000022667	2	DECAL GEN GUARD TEMP WARNING	
7	10000023198	2	DECAL ELECT DANGER READ MANUAL	
8	10000024164	1	DECAL DANGER GENERATOR BACKFEED	
9	10000024178	1	DECAL WARNING BATT DISCONNECT	
10	21495	1	DECAL, RECONNECT BOX	
11	A0002352127	1	DECAL ISO BATTERY EXPLOSION	
12	10000019237	2	DECAL ISO PINCH POINT	
13	A0002352120	2	DECAL ISO ALTERNATOR LIFT	
14	10000022628	2	DECAL ELECTRICAL HAZARD	
15	A0003083424	1	DECAL FANBELT BLADE TEMP GUARD MDE330	

UNIT DECALS - CONTROL PANEL

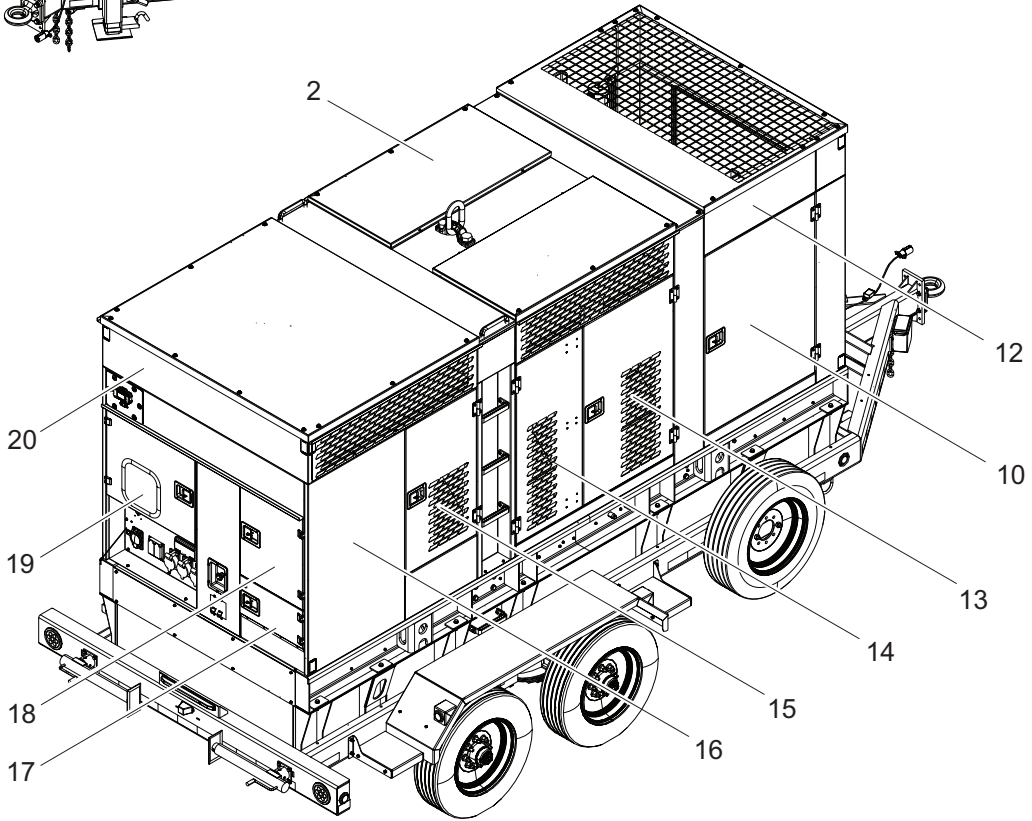
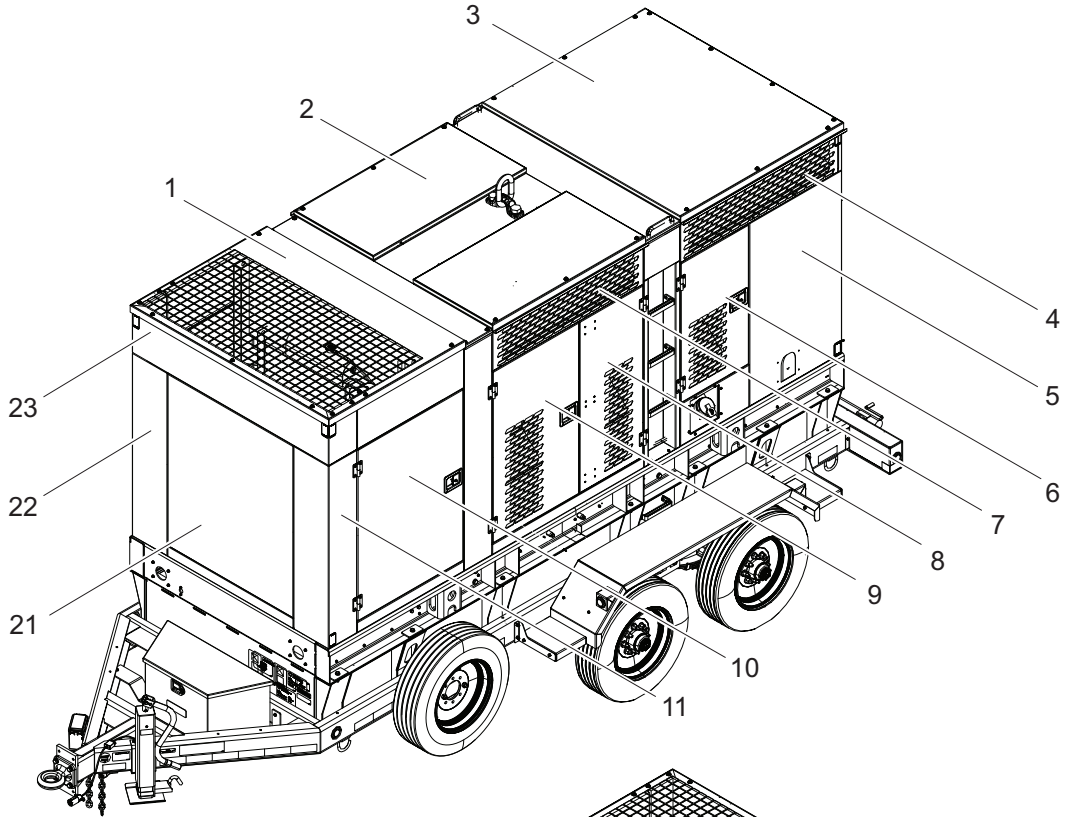


03918

UNIT DECALS - CONTROL PANEL

Item	Part No.	Qty	Description	Notes
1	10000022376	1	DECAL CONNECTION LUG NEU 32MM	
2	10000022382	1	DECAL CONNECTION LUG L3 32MM	
3	10000022328	1	DECAL CONNECTION LUG L2 32MM	
4	10000022346	1	DECAL CONNECTION LUG L1 32MM	
5	10000035617	2	DECAL IEC PE GROUND	
6	10000022628	1	DECAL ELECTRICAL HAZARD	
7	10000023204	1	DECAL NEUTRAL BONDED TO FRAME	
8	10000023198	1	DECAL ELECT DANGER READ MANUAL	
9	A0001656955	1	DECAL CANADIAN CAMLOK SINGLE-PIN	
10	A0001656956	1	DECAL US CAMLOK SINGLE-PIN	
11	A0002747142	1	DECAL INT-EXT LIGHT SWITCH MDE	
12	A0002747143	1	DECAL ENGINE SPEED SWITCH MDE	
13	A0002299410	1	DECAL, RECEPTACLE BREAKER LAYOUT	
14	A0002299409	1	DECAL, RECEPTACLE LAYOUT	
15	A0002355992	1	DECAL ISO GENERATOR BACKFEED	
16	10000023129	1	DECAL REMOTE START TERMINAL	

ENCLOSURE PANELS

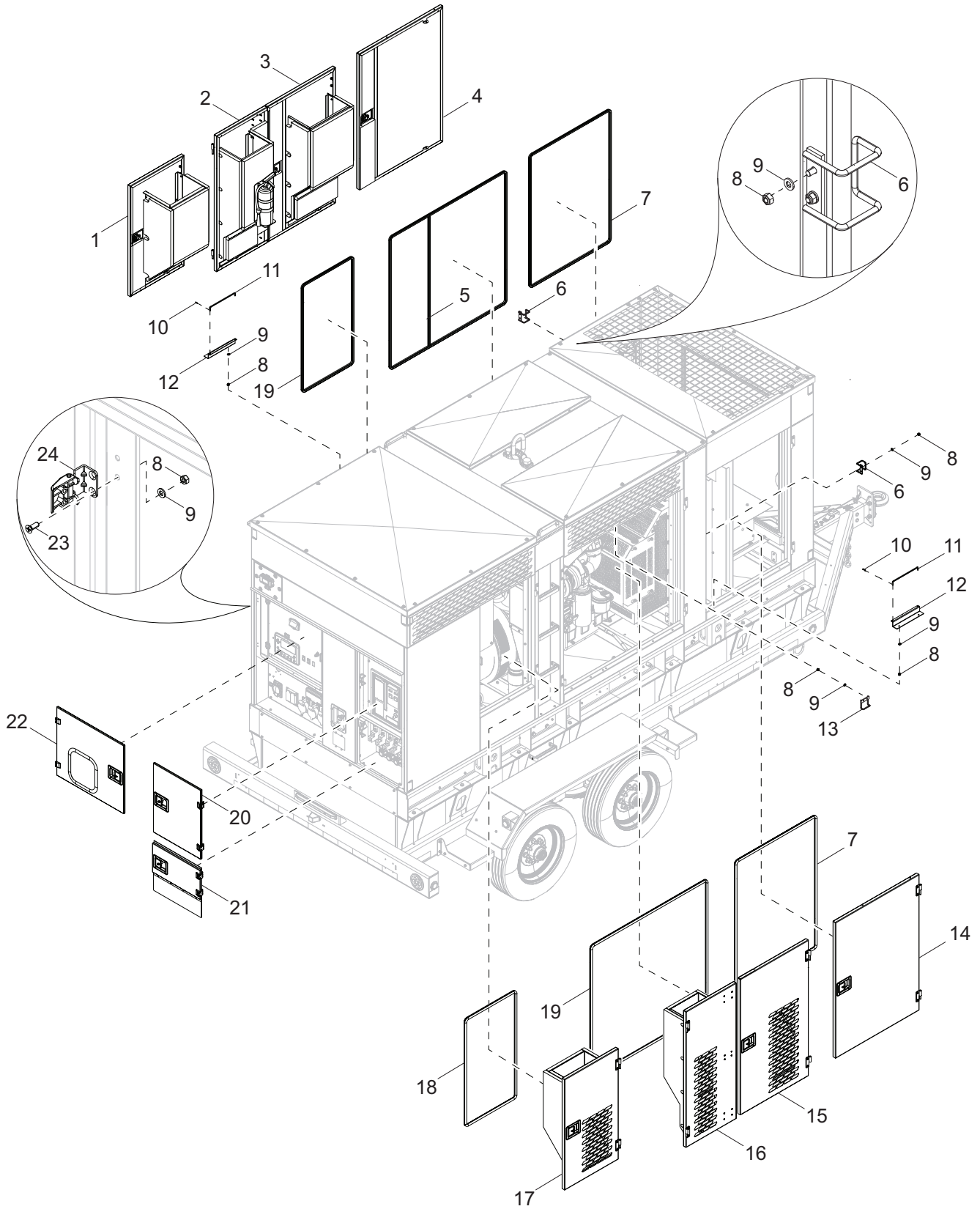


03919

ENCLOSURE PANELS

Item	Part No.	Qty	Description	Notes
1	A0002424889	1	ST05 ENCL ROOF EXHAUST GRATE	Page 32
2	A0002424848	2	ST05 ENCL ROOF MID	Page 32
3	A0002424845	1	ST05 ENCL DUCT REAR ROOF	Page 32
4	A0002425063	2	ST05 VENTED PANEL LH REAR	Page 34
5	A0002424832	1	ST05 ENCL CORNER REAR SERIES 2 LH	Page 34
6	A0001642291	1	ST05 ENCL DOOR WLDMT REAR	Page 20
7	A0002424901	2	ST05 VENTED PANEL	Page 34
8	A0002424937	1	ST05 WELDMNT LH MID W/O HANDLE DOOR	Page 26
9	A0002424928	1	ST05 WELDMNT LH MID HANDLE	Page 24
10	A0001642297	2	ST05 ENCL DOOR WLDMT HANDLE	Page 14
11	A0002424828	1	ST05 ENCL CORNER FRONT LH	Page 36
12	A0002424873	2	ST05 ENCL SIDE DISCHARGE	Page 36
13	A0002424933	1	ST05 WELDMNT RH MID HANDLE	Page 30
14	A0002424942	1	ST05 WELDMNT RH MID W/O HANDLE DOOR	Page 28
15	A0002057889	1	ST05 ENCL DOOR WLDMT RH REAR	Page 22
16	A0002424835	1	ST05 ENCL CORNER REAR RH	Page 34
17	A0002291365	1	ST05 WLDMNT DOOR BREAKER EXT LWR	Page 18
18	A0002291352	1	ST05 WLDMNT DOOR BREAKER EXT UPR	Page 18
19	A0000984390	1	ST05 WLDMNT DOOR CONTROLS EXTERIOR	Page 16
20	A0002424870	1	ST05 ENCL CONTROL BLOCKOFF	Page 34
21	A0002424882	1	ST05 ENCL FRONT PANEL	Page 36
22	A0002424822	1	ST05 ENCL CORNER FRONT RH	Page 36
23	A0002424851	1	ST05 ENCL FRONT DISCHARGE WRAP	Page 36

DOORS TO UNIT

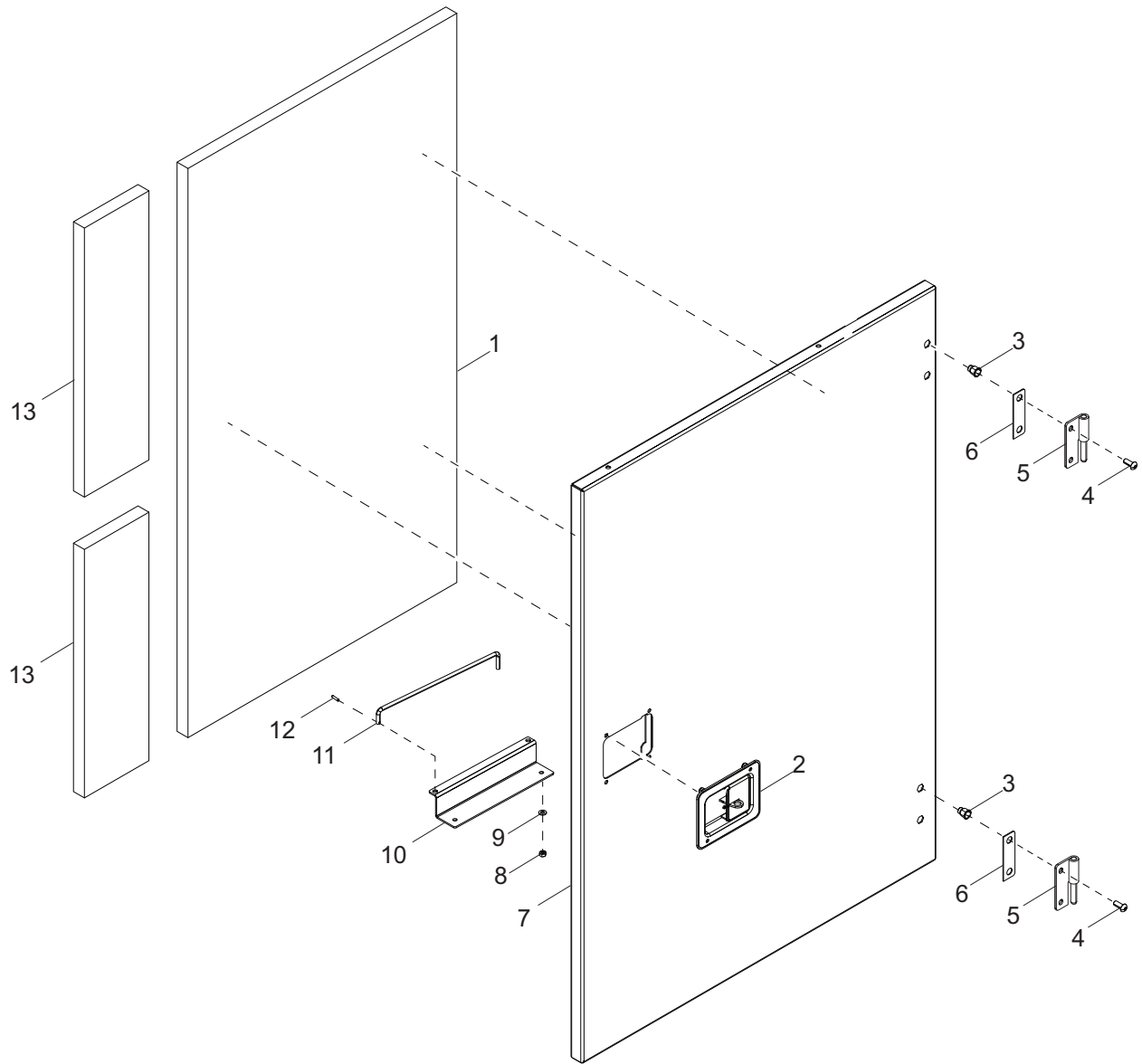


03920

DOORS TO UNIT

Item	Part No.	Qty	Description	Notes
1	-	1	ASSEMBLY, DOOR LR	Page 20
2	-	1	ASSEMBLY, DOOR MLR	Page 26
3	-	1	ASSEMBLY, DOOR MLL	Page 24
4	-	1	ASSEMBLY, DOOR LF	Page 14
5	0A9881	1	TRIM VINYL SEAL	
6	A0001003394	8	STRIKER 2 POINT LATCH ZINC	
7	0A9881	1	TRIM VINYL SEAL	
8	0B2236	32	NUT HEX LOCK M6-1 NY INS	
9	G049811	32	WASHER FLAT M6	
10	60048	8	PIN, ROLL - .125X.625 ZP	
11	18900ZC	8	ROD, DOOR PROP	
12	A0002057894	8	ST05 DOOR PROP ANCHOR BRACKET	
13	A0001003394	8	STRIKER 2 POINT LATCH ZINC	
14	-	1	ASSEMBLY, DOOR RF	Page 12
15	-	1	ASSEMBLY, DOOR MRR	Page 30
16	-	1	ASSEMBLY, DOOR MRL	Page 28
17	-	1	ASSEMBLY, DOOR RR	Page 22
18	0A9881	1	TRIM VINYL SEAL	
19	0A9881	1	TRIM VINYL SEAL	
20	-	1	ASSEMBLY, DOOR BREAKER EXT UPR	Page 18
21	-	1	ASSEMBLY, DOOR BREAKER EXT LWR	Page 18
22	A0000985492	1	CONTROLS EXTERIOR DOOR ASSEMBLY	Page 16
23	0J4525	12	SCREW PFHM M6-1.0 X 16	
24	A0000984389	6	HINGE ASSEMBLY	

FRONT DOOR ASSEMBLY - RIGHT

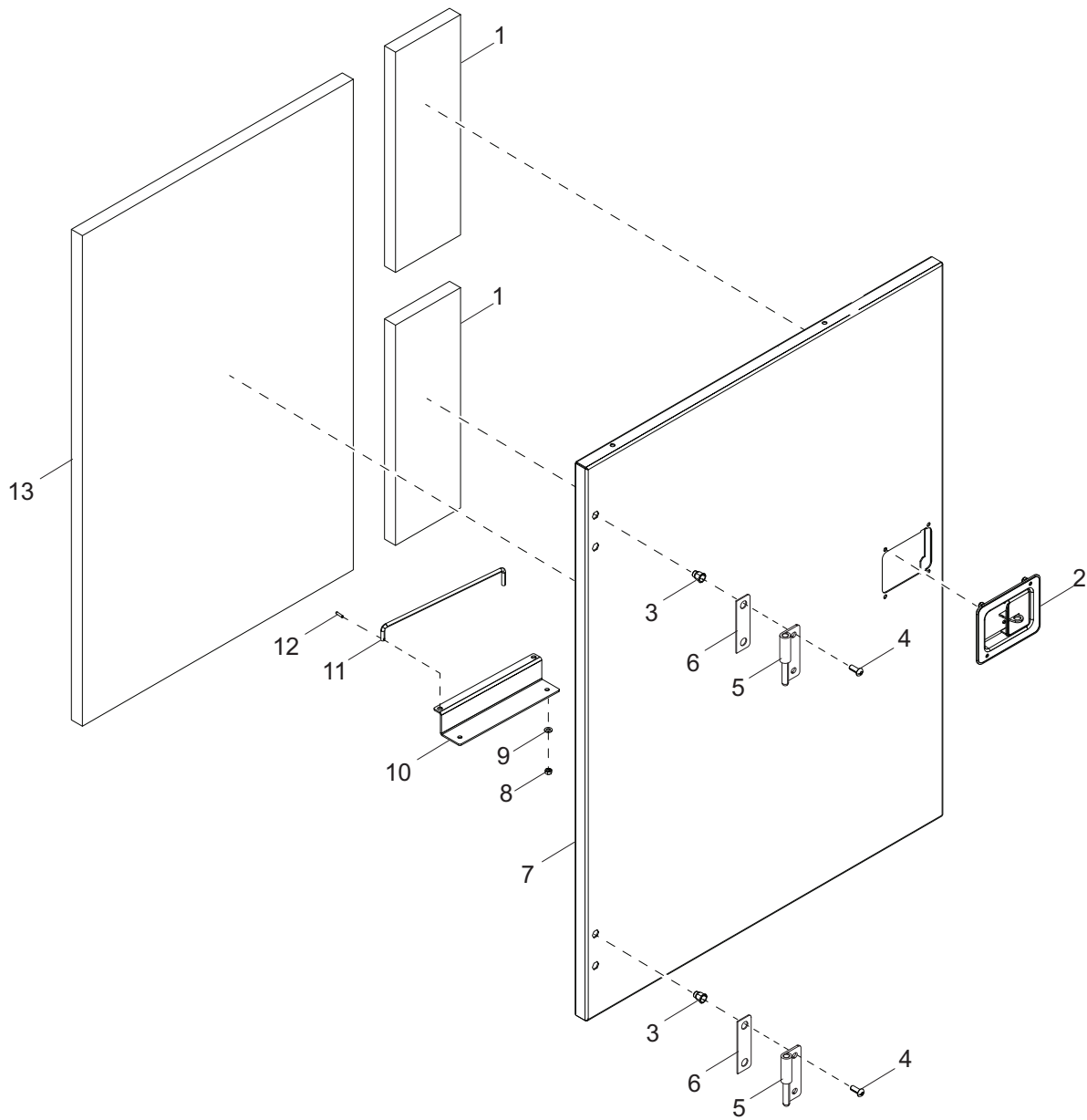


03921

FRONT DOOR ASSEMBLY - RIGHT

Item	Part No.	Qty	Description	Notes
1	A0004720208	1	INSUL DOOR FRONT SERIES 2	
2	A0002056735	1	HANDLE SINGLE POINT SS	
3	0A8540	4	NUT LOCK TRIC M8 X 1.25 Y/ZNC	
4	0A5991	4	SCREW BHSC M8-1.25 X 20 SS	
5	0C3595	2	ASSY M8 HINGE	
6	0C2655	2	GASKET, M8 HINGE	
7	A0001642297	1	ST05 ENCL DOOR WLDMT HANDLE SERIES 3	
8	0B2236	2	NUT HEX LOCK M6-1 NY INS	
9	G049811	2	WASHER FLAT M6	
10	A0001075320	1	ST05 DOOR PROP ANCHOR BRACKET	
11	18900ZC	1	ROD, DOOR PROP	
12	60048	1	PIN, ROLL - .125X.625 ZP	
13	A0003704005	2	INSUL DOOR DD HANDLE SERIES 3	

FRONT DOOR ASSEMBLY - LEFT

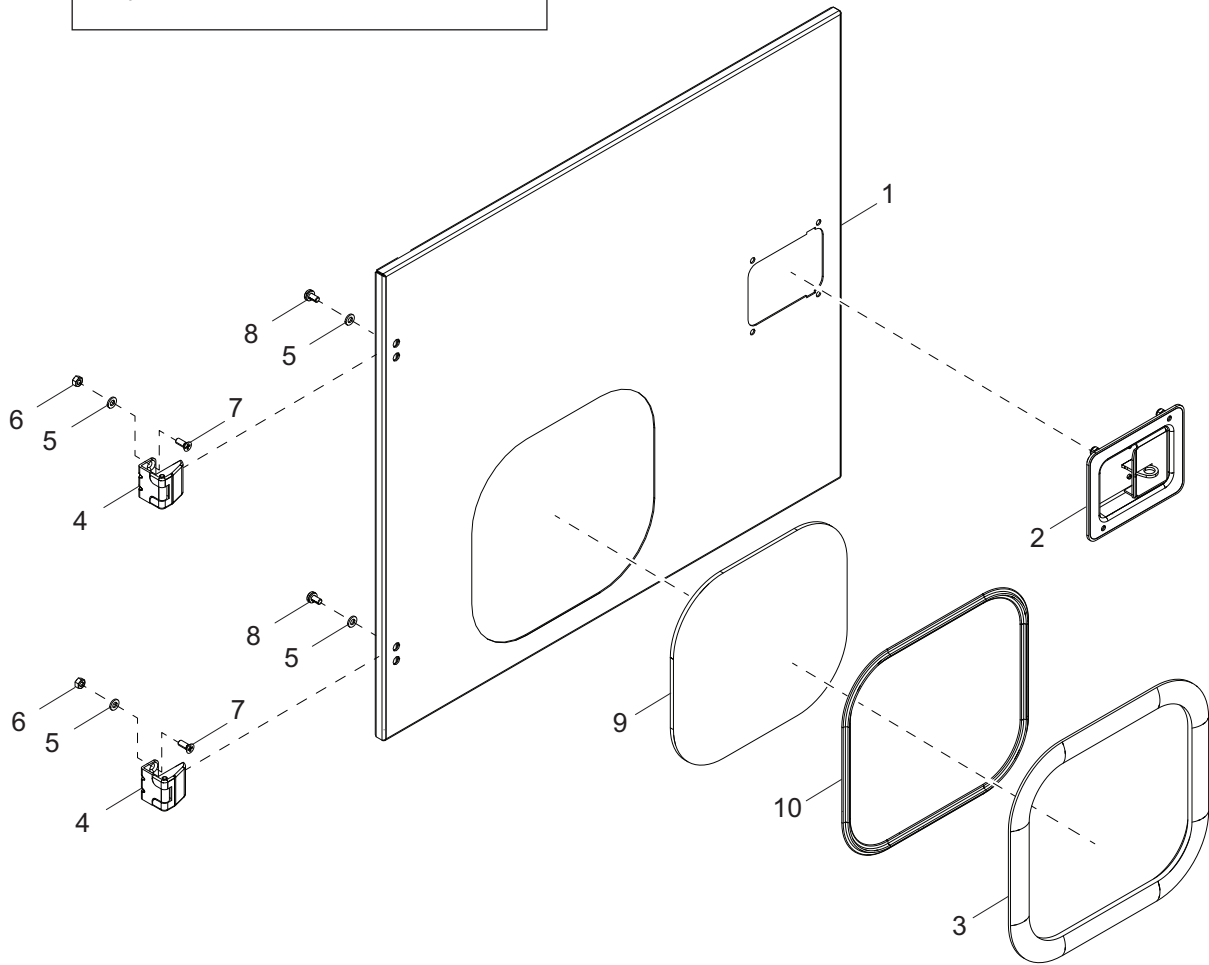
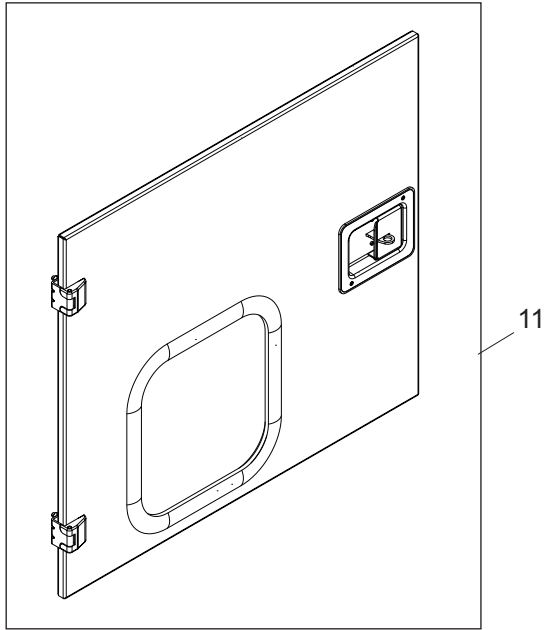


03922

DOUBLE DOOR ASSEMBLY - LEFT

Item	Part No.	Qty	Description	Notes
1	A0003704005	2	INSUL DOOR DD HANDLE SERIES 3	
2	A0002056735	1	HANDLE SINGLE POINT SS	
3	0A8540	4	NUT LOCK TRIC M8 X 1.25 Y/ZNC	
4	0A5991	4	SCREW BHSC M8-1.25 X 20 SS	
5	0C3595	2	ASSY M8 HINGE	
6	0C2655	2	GASKET, M8 HINGE	
7	A0001642297	1	ST05 ENCL DOOR WLDMT HANDLE SERIES 3	
8	0B2236	2	NUT HEX LOCK M6-1 NY INS	
9	G049811	2	WASHER FLAT M6	
10	A0001075320	1	ST05 DOOR PROP ANCHOR BRACKET	
11	18900ZC	1	ROD, DOOR PROP	
12	60048	1	PIN, ROLL - .125X.625 ZP	
13	A0004720208	1	INSUL DOOR FRONT SERIES 2	

CONTROL DOOR ASSEMBLY

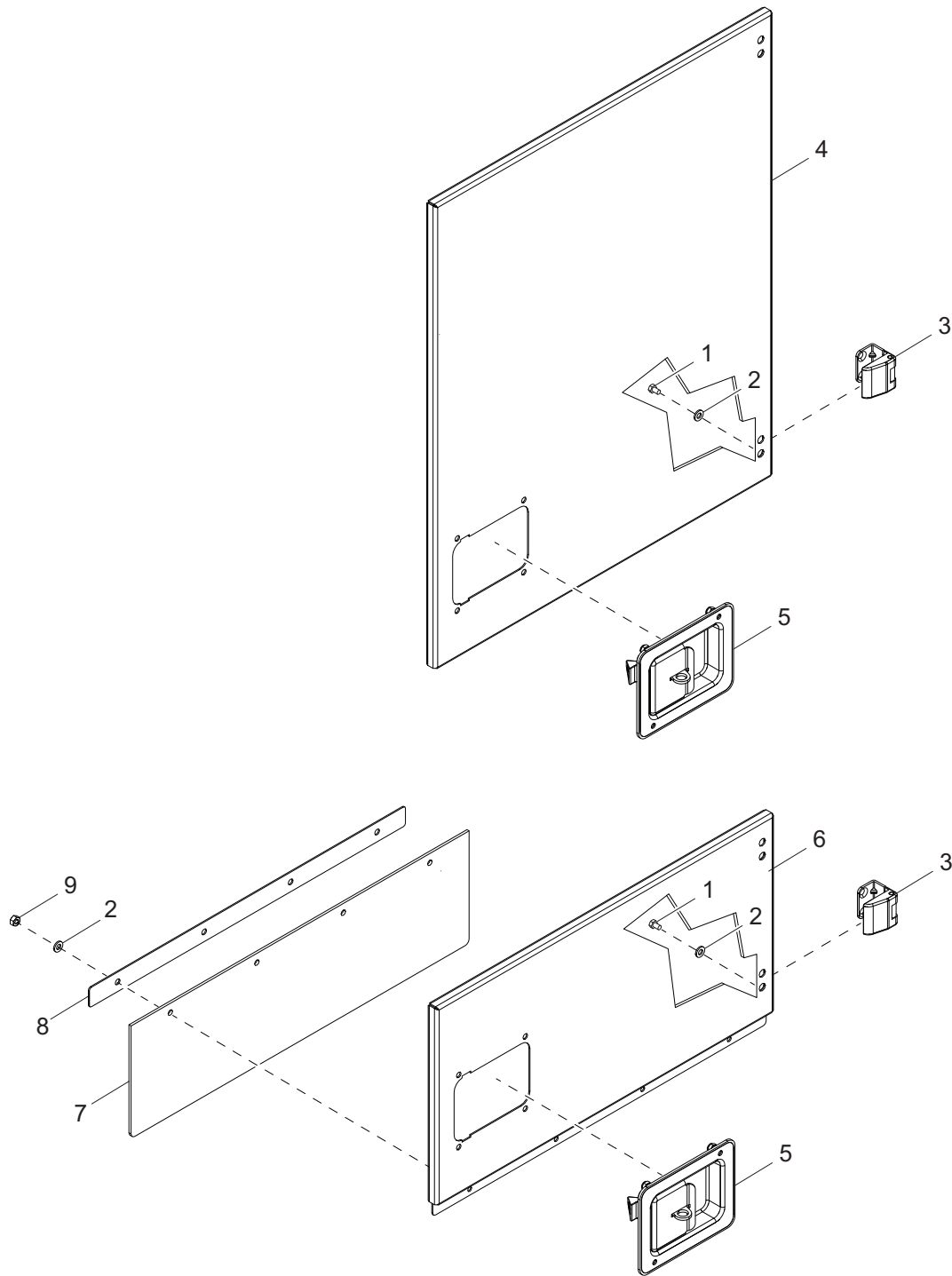


03923

CONTROL DOOR ASSEMBLY

Item	Part No.	Qty	Description	Notes
1	A0000984390	1	ST05 WLDMNT DOOR CONTROLS EXTERIOR	
2	A0002056735	1	HANDLE SINGLE POINT SS	
3	MK1019A03	1	GASKET, LOCKING,1.05X.25X.06 (38 INCHES)	
4	A0000984389	2	HINGE ASSEMBLY	
5	G049811	8	M6 WASHER	
6	0B2236	4	NUT HEX LOCK M6-1 NY INS	
7	0J4525	4	SCREW PFHM M6-1.0 X 16	
8	G078606	4	SCREW PPHMS M6-1.0 X 12	
9	A0000938706	1	CONTROLS DOOR WINDOW	
10	MK1019A02	1	STRIP, LOCK WINDOW (38 INCHES)	
11	A0000985492	1	CONTROLS EXTERIOR DOOR ASSEMBLY	

DOOR ASSEMBLY - BREAKER BOX

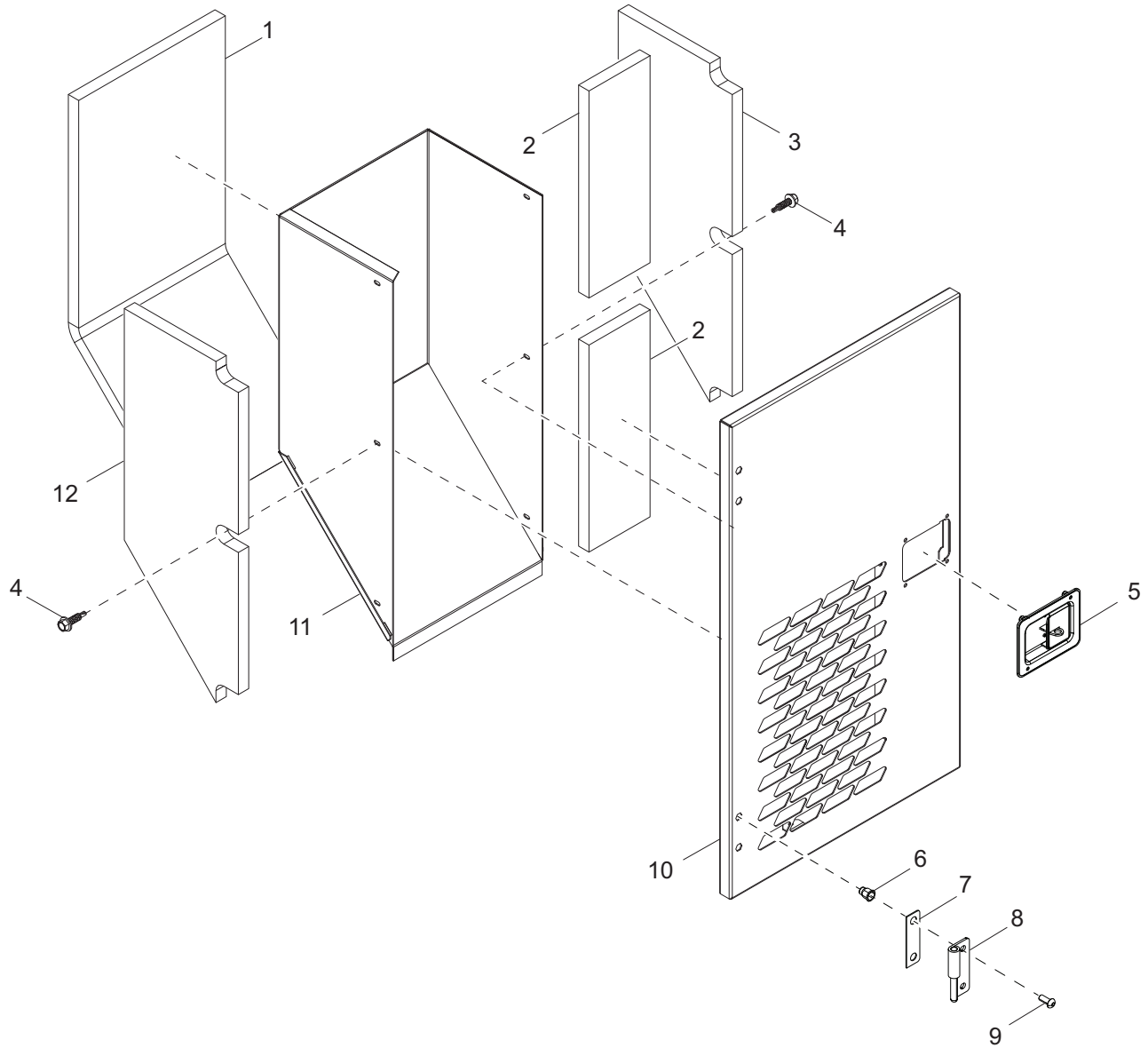


03924

DOOR ASSEMBLY - BREAKER BOX

Item	Part No.	Qty	Description	Notes
1	G043146	8	SCREW HHC M6-1.0 X 10 C8.	
2	G049811	12	WASHER FLAT M6	
3	A0000984389	4	HINGE ASSEMBLY	
4	A0002291352	1	ST05 WLDMNT DOOR BREAKER EXT UPR	
5	A0002056735	1	HANDLE SINGLE POINT SS	
6	A0002291365	1	ST05 WLDMNT DOOR BREAKER EXT LWR	
7	A0002106208	1	FLAP DOOR SERIES 2	
8	A0001970667	4	ST05 DOOR FLAP CLAMP BAR SERIES 3	
9	0B2236	16	NUT HEX LOCK M6-1 NY INS	

VENTED DOOR ASSEMBLY - LR

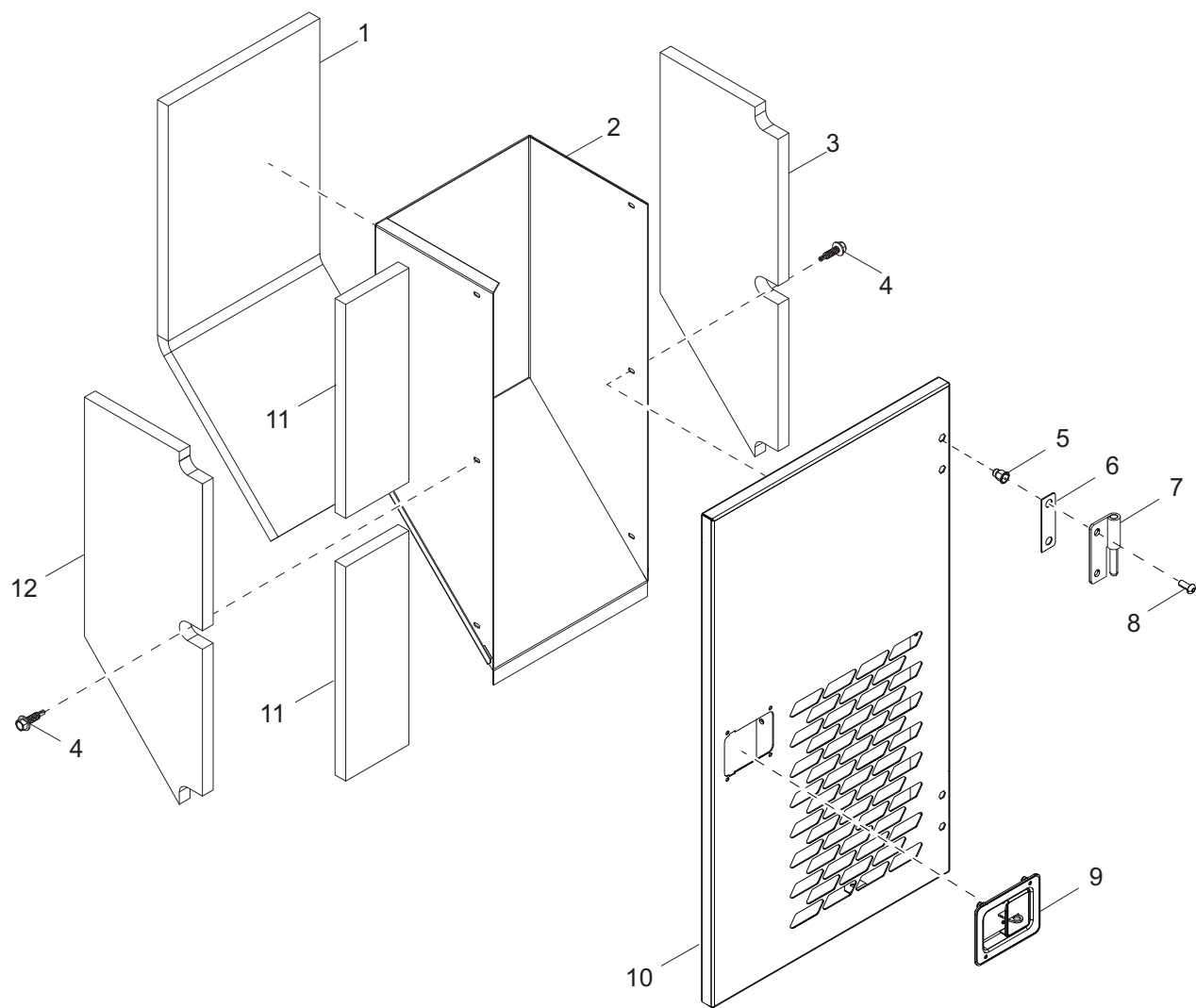


03925

VENTED DOOR ASSEMBLY - LR

Item	Part No.	Qty	Description	Notes
1	A0004720210	1	INSUL DOOR FRONT DUCT SERIES 2	
2	A0003704002	2	INSUL DOOR REAR HANDLE SERIES 3	
3	A0004720189	1	INSUL DOOR REAR DUCT RH SERIES 2	
4	0C2454	6	SCREW HWHT M6-1 X 12 N WA Z/JS	
5	A0002056735	1	HANDLE SINGLE POINT SS	
6	0A8540	4	NUT LOCK TRIC M8 X 1.25 Y/ZNC	
7	0C2655	2	GASKET, M8 HINGE	
8	0C3595	2	ASSY M8 HINGE	
9	0A5991	4	SCREW BHSC M8-1.25 X 20 SSSS	
10	A0001642297	1	ST05 ENCL DOOR WLDMT HANDLE SERIES 3	
11	A0002057887	1	AL05 BAFFLE DOOR	
12	A0003704061	1	INSUL DOOR REAR DUCT RH SERIES 3	

VENTED DOOR ASSEMBLY - RR

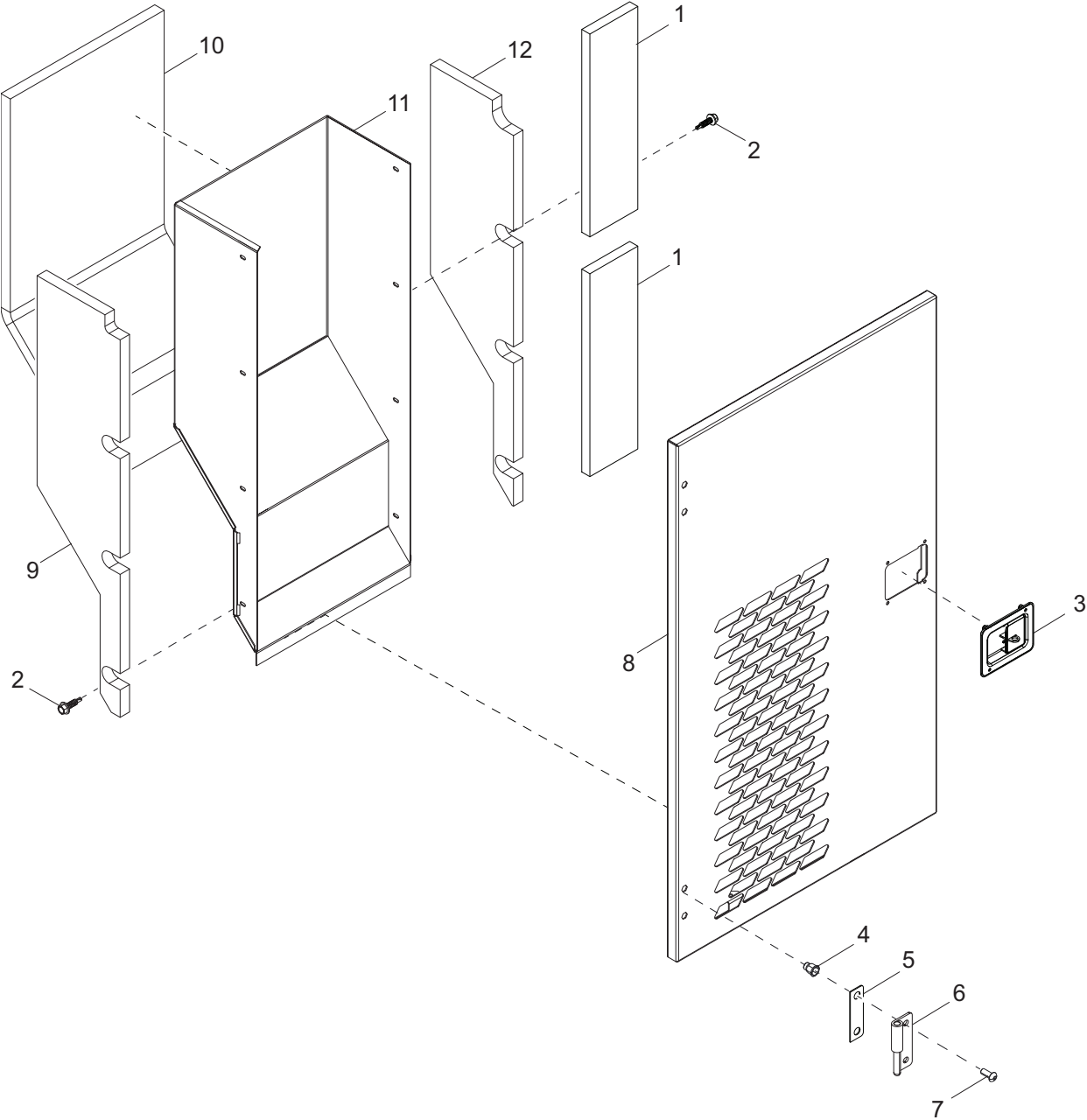


03926

VENTED DOOR ASSEMBLY - RR

Item	Part No.	Qty	Description	Notes
1	A0004720190	1	INSUL DOOR REAR DUCT SERIES 2	
2	A0002057887	1	AL05 BAFFLE DOOR	
3	A0004720189	1	INSUL DOOR REAR DUCT RH SERIES 2	
4	0C2454	6	SCREW HWHT M6-1 X 12 N WA Z/JS	
5	0A8540	4	NUT LOCK TRIC M8 X 1.25 Y/ZNC	
6	0C2655	2	GASKET, M8 HINGE	
7	0C3595	2	ASSY M8 HINGE	
8	0A5991	4	SCREW BHSC M8-1.25 X 20 SSSS	
9	A0002056735	1	HANDLE SINGLE POINT SS	
10	A0002424933	1	ST05 WELDMENT RH MID HANDLE	
11	A0003704002	2	INSUL DOOR REAR HANDLE SERIES 3	
12	A0003704061	1	INSUL DOOR REAR DUCT RH SERIES 3	

DOUBLE DOOR ASSEMBLY 2 - LEFT

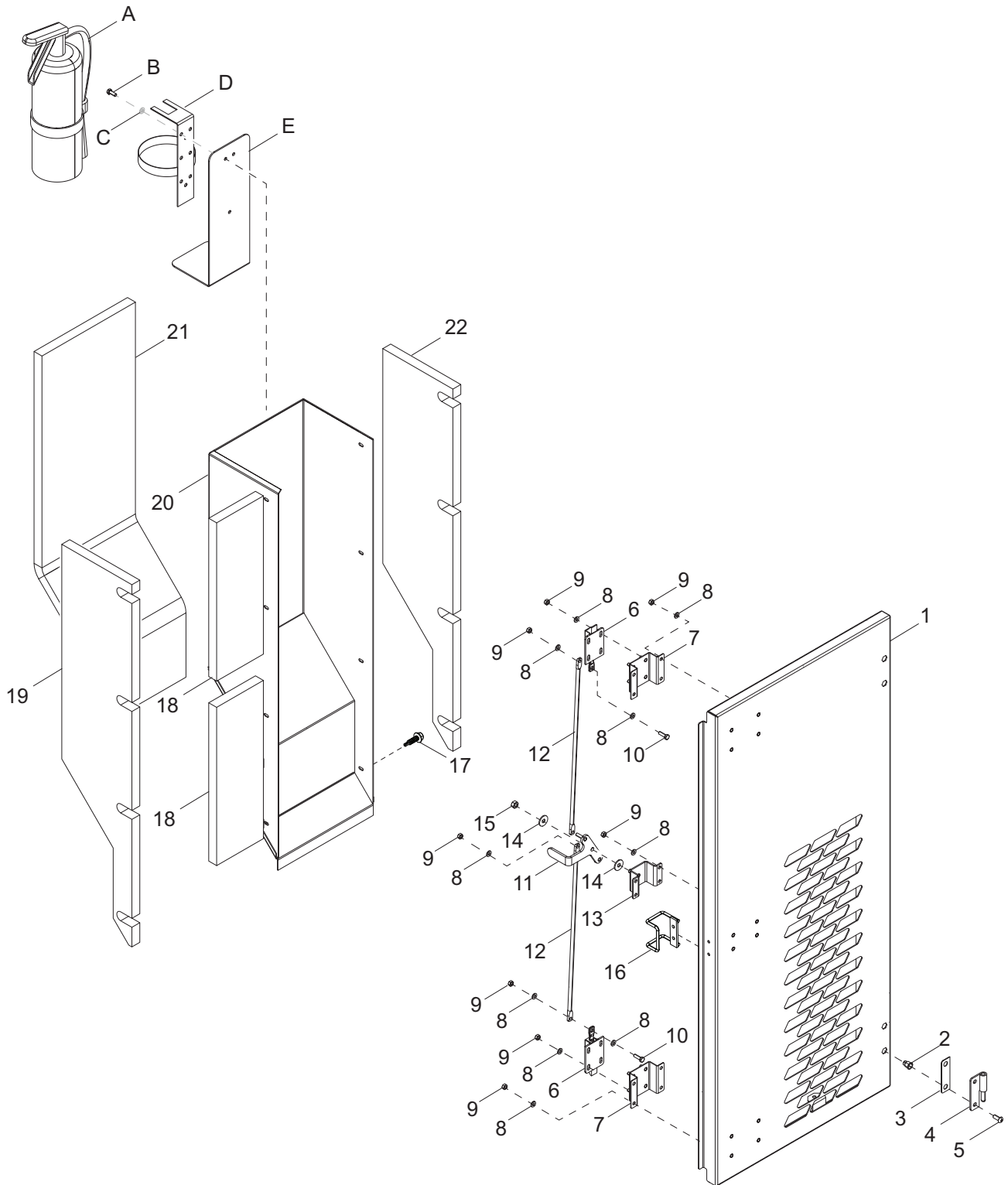


03927

DOUBLE DOOR ASSEMBLY 2 - LEFT

Item	Part No.	Qty	Description	Notes
1	A0003704005	2	INSUL DOOR DD HANDLE SERIES 3	
2	0C2454	6	SCREW HWHT M6-1 X 12 N WA Z/JS	
3	A0002056735	1	HANDLE SINGLE POINT ZPS	
4	0A8540	4	NUT LOCK TRIC M8 X 1.25 Y/ZNC	
5	0C2655	2	GASKET, M8 HINGE	
6	0C3595	2	ASSY M8 HINGE	
7	0A5991	4	SCREW BHSC M8-1.25 X 20 SSSS	
8	A0002424928	1	ST05 WELDMENT LH MID HANDLE	
9	A0004720209	1	INSUL DOOR FRONT DUCT LH SERIES 2	
10	A0004720210	1	INSUL DOOR FRONT DUCT SERIES 2	
11	A0002424951	1	AL05 DUCT MID HANDLE	
12	A0004720211	1	INSUL DOOR FRONT DUCT LH SERIES 2	

DOUBLE DOOR ASSEMBLY 1 - LEFT



03928

DOUBLE DOOR ASSEMBLY 1 - LEFT

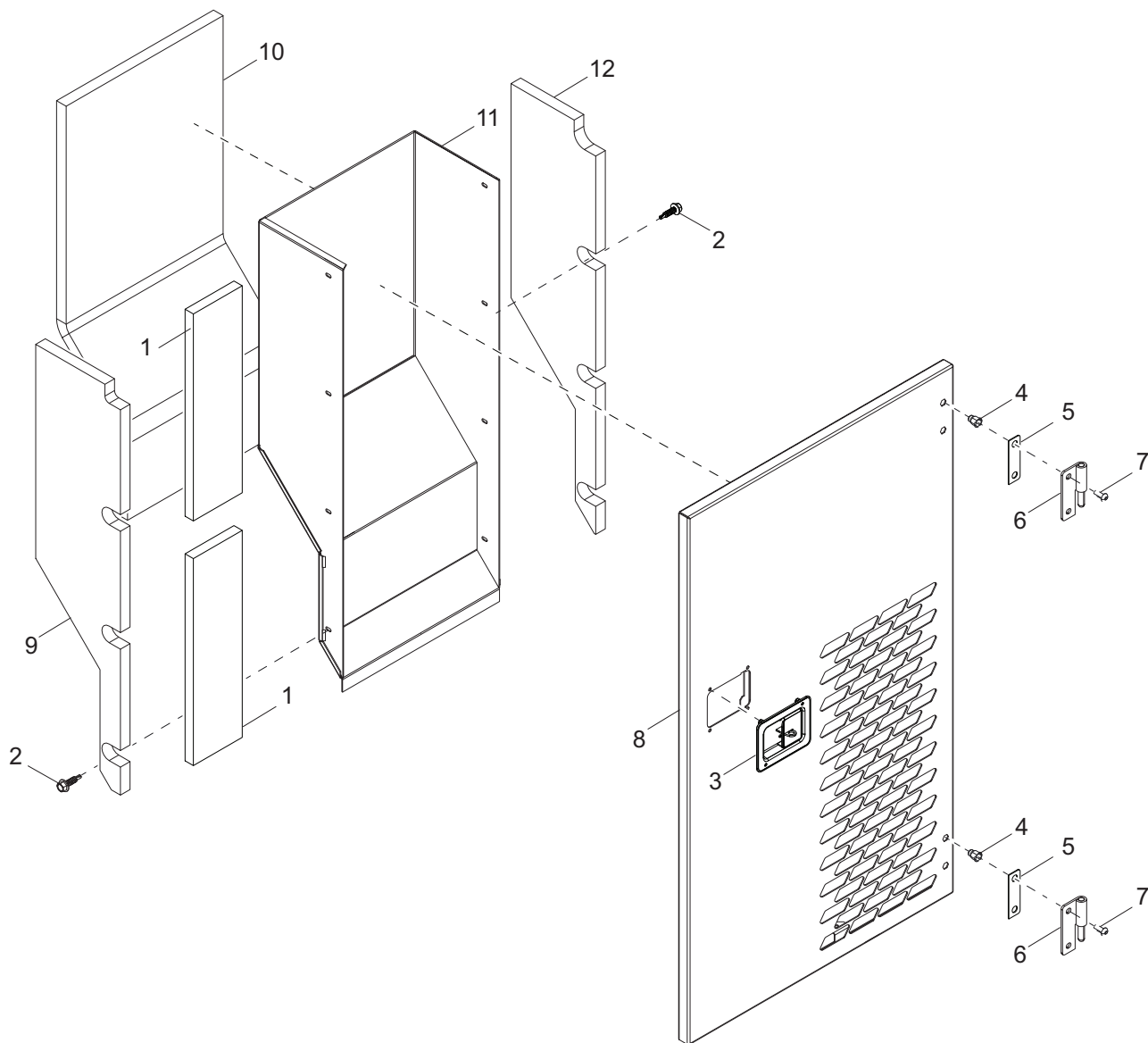
Item	Part No.	Qty	Description	Notes
1	A0002424937	1	ST05 WELDMENT LH MID W/O HANDLE DOOR	
2	0A8540	4	NUT LOCK TRIC M8 X 1.25 Y/ZNC	
3	0C2655	2	GASKET,M8 HINGE	
4	0C3595	2	ASSY M8 HINGE	
5	0A5991	4	SCREW BHSC M8-1.25 X 20 SS	
6	A0001003208	2	ROD CAM 2 POINT LATCH	
7	A0000985452	2	ST05 ENCL DOOR LATCH MNT 2P	
8	G049811	20	WASHER FLAT M6	
9	0B2236	20	NUT HEX LOCK M6-1 NY INS	
10	G042568	2	SCREW HHC M6-1.0 X 20 C8.8	
11	A0002301195	1	ST05 HANDLE LH DD INSIDE	
12	A0001028125	2	ROD 2 POINT LATCH 266.7MM LG	
13	A0000985395	1	ST05 ENCL DOOR DD HANDLE MNT	
14	0E9492	2	WASHER FLAT M8 NYLON	
15	G049820	1	NUT HEX LOCK M8-1.25 NY INS	
16	A0001003394	1	STRIKER 2 POINT LATCH ZINC	
17	0C2454	8	SCREW HWHT M6-1 X 16 N WA Z/JS	
18	A0003704002	2	INSUL DOOR REAR HANDLE SERIES 3	
19	A0004720387	1	INSUL DOOR MID DUCT LH NH SERIES 2	
20	A0002424947	1	AL05 DUCT MID W/O HANDLE	
21	A0004720388	1	INSUL DOOR MID DUCT NH SERIES 2	
22	A0004720389	1	INSUL DOOR MID DUCT RH NH SERIES 2	

OPTIONAL FEATURES

FIRE EXTINGUISHER (if equipped):

A	14509	1	FIRE EXTINGUISHER - 5 LBS.	
B	G047411	3	SCREW HHC M6-1.0 X 16 C8.8	
C	G049811	3	WASHER FLAT M6	
D	14509	1	FIRE EXTINGUISHER - 5 LB BRACKET	w/fire extinguisher
E	A0002276701	1	ST03 FIRE EXTINGUISHER BRACKET	
--	0E8388	3	NUT HEX FL WHIZ M6-1.0	
--	A0000467059	1	DECAL FIRE EXTINGUISHER INSIDE	

VENTED DOOR ASSEMBLY 2 - RIGHT

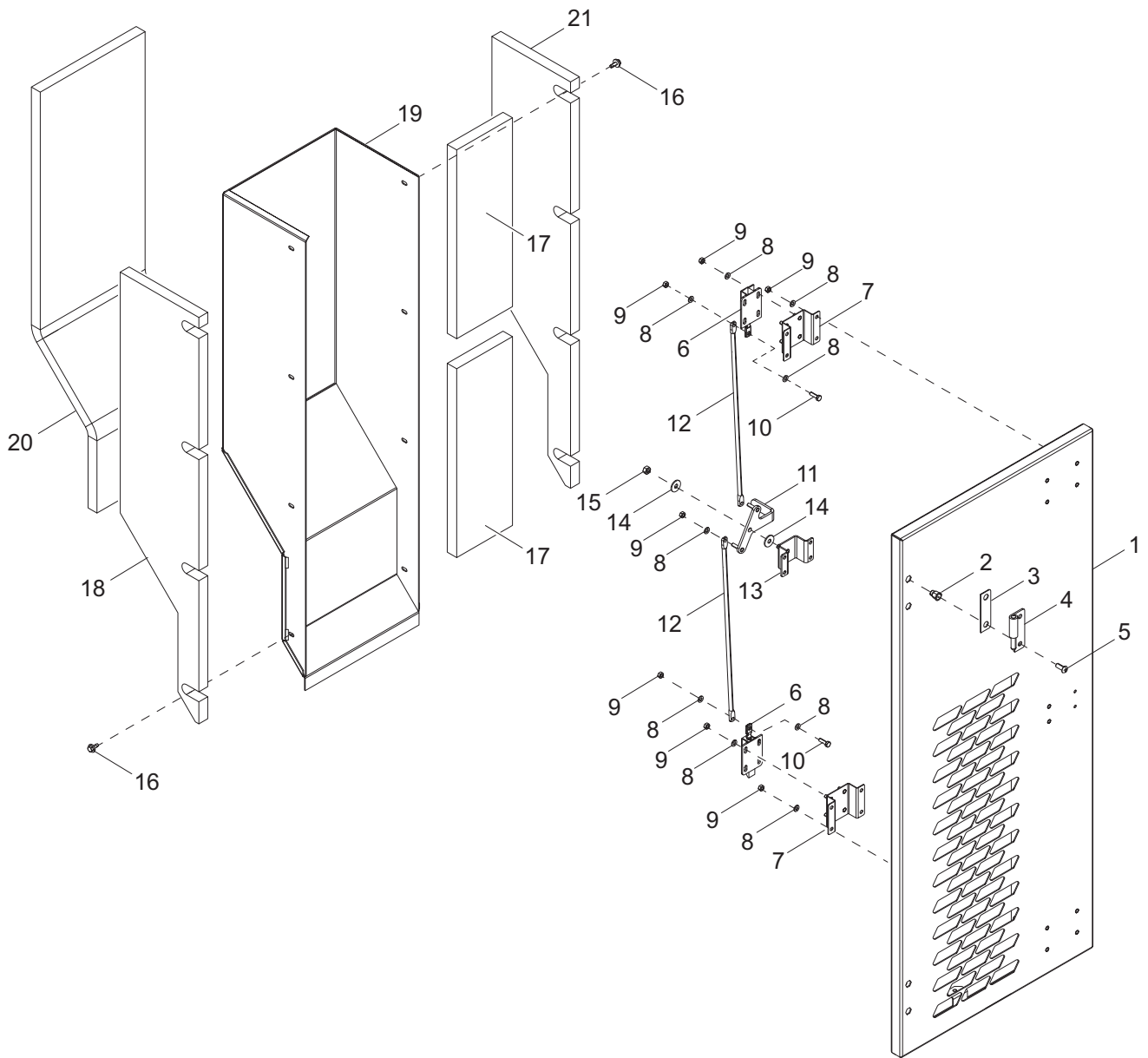


03929

VENTED DOOR ASSEMBLY 2 - RIGHT

Item	Part No.	Qty	Description	Notes
1	A0003704005	2	INSUL DOOR DD HANDLE SERIES 3	
2	0C2454	6	SCREW HWHT M6-1 X 12 N WA Z/JS	
3	A0002056735	1	HANDLE SINGLE POINT ZPS	
4	0A8540	4	NUT LOCK TRIC M8 X 1.25 Y/ZNC	
5	0C2655	2	GASKET, M8 HINGE	
6	0C3595	2	ASSY M8 HINGE	
7	0A5991	4	SCREW BHSC M8-1.25 X 20 SSSS	
8	A0002424933	1	ST05 WELDMENT RH MID HANDLE	
9	A0004720209	1	INSUL DOOR FRONT DUCT LH SERIES 2	
10	A0004720210	1	INSUL DOOR FRONT DUCT SERIES 2	
11	A0002424951	1	AL05 DUCT MID HANDLE	
12	A0004720211	1	INSUL DOOR FRONT DUCT LH SERIES 2	

DOUBLE DOOR ASSEMBLY 1 - RIGHT

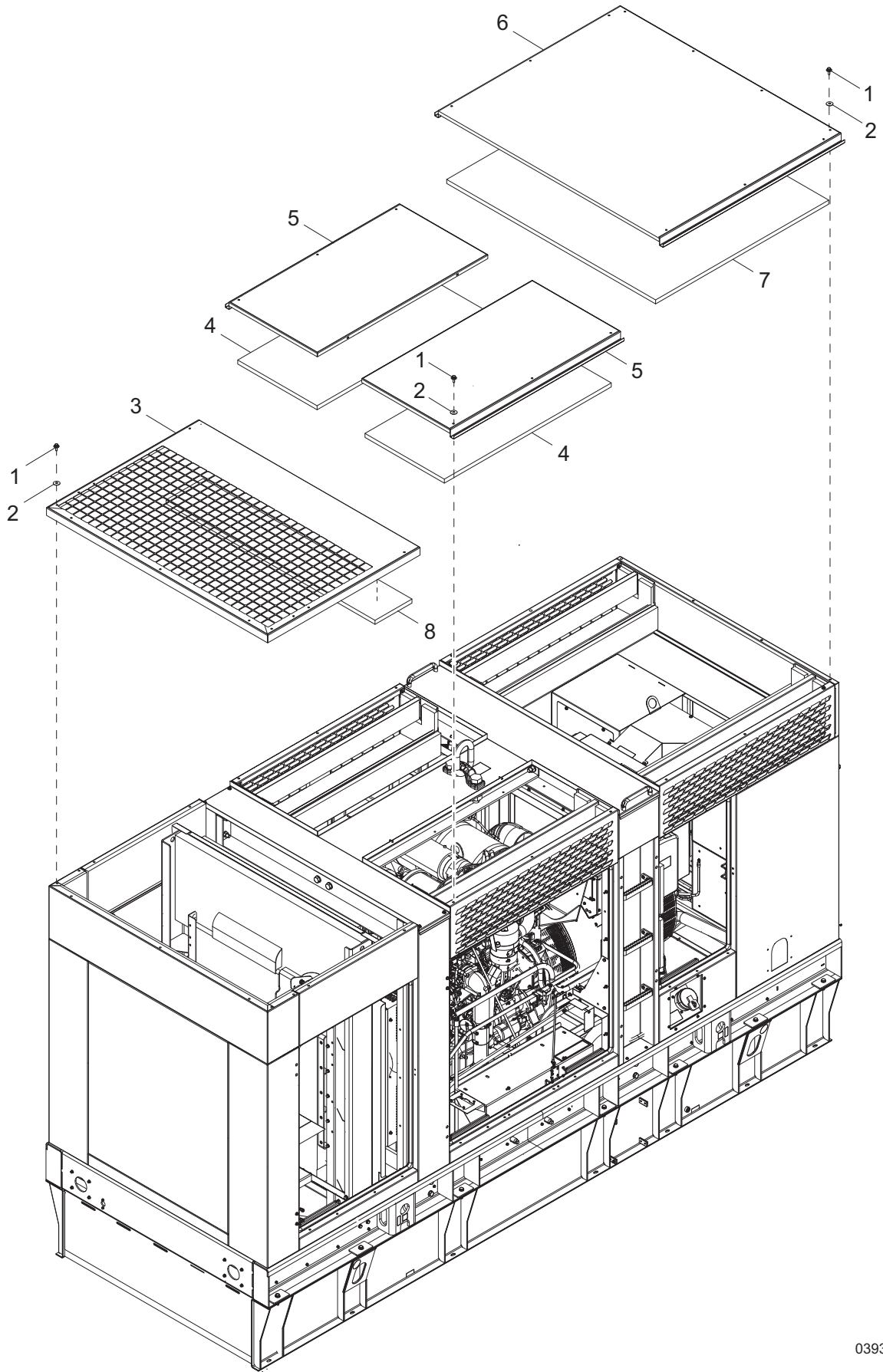


03930

DOUBLE DOOR ASSEMBLY - RIGHT

Item	Part No.	Qty	Description	Notes
1	A0002424942	1	ST05 WELDMENT RH MID W/O HANDLE DOOR	
2	0A8540	4	NUT LOCK TRIC M8 X 1.25 Y/ZNC	
3	0C2655	2	GASKET,M8 HINGE	
4	0C3595	2	ASSY M8 HINGE	
5	0A5991	4	SCREW BHSC M8-1.25 X 20 SS	
6	A0001003208	2	ROD CAM 2 POINT LATCH	
7	A0000985452	2	ST05 ENCL DOOR LATCH MNT 2P	
8	G049811	20	WASHER FLAT M6	
9	0B2236	20	NUT HEX LOCK M6-1 NY INS	
10	0J4525	2	SCREW PFHM M6-1.0 X 16	
11	A0002301195	1	ST05 HANDLE LH DD INSIDE	
12	A0001028125	2	ROD 2 POINT LATCH 266.7MM LG	
13	A0000985395	1	ST05 ENCL DOOR DD HANDLE MNT	
14	0E9492	2	WASHER FLAT M8 NYLON	
15	G049820	1	NUT HEX LOCK M8-1.25 NY INS	
16	0C2454	8	SCREW HWHT M6-1 X 16 N WA Z/JS	
17	A0003704002	2	INSUL DOOR REAR HANDLE SERIES 3	
18	A0004720387	1	INSUL DOOR MID DUCT LH NH SERIES 2	
19	A0002424947	1	AL05 DUCT MID W/O HANDLE	
20	A0004720388	1	INSUL DOOR MID DUCT NH SERIES 2	
21	A0004720389	1	INSUL DOOR MID DUCT RH NH SERIES 2	

ROOF ASSEMBLY

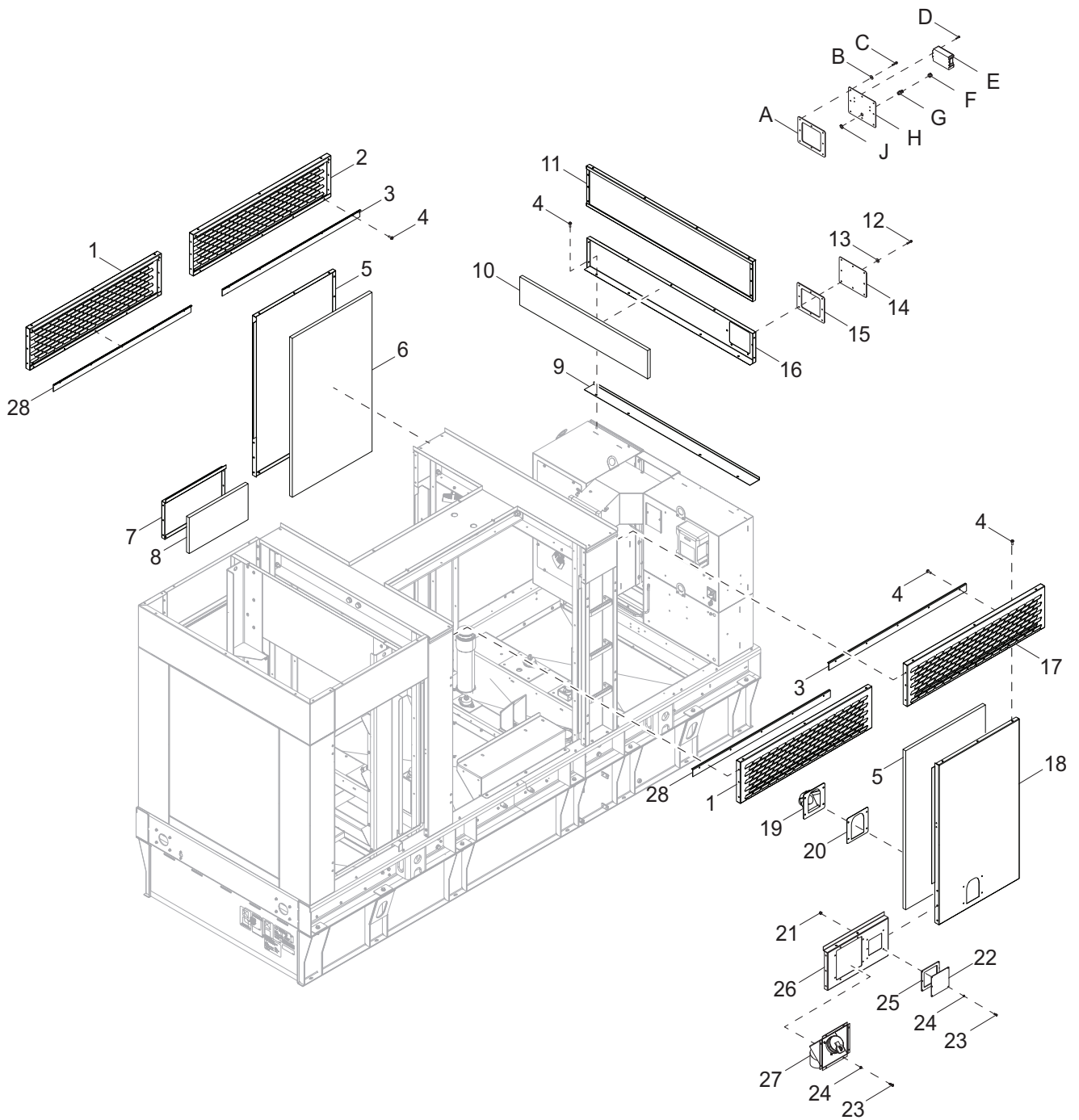


03931

ROOF ASSEMBLY

Item	Part No.	Qty	Description	Notes
1	0K8641	24	SCREW HHF M6-1.0 X 20 NYLON WASHER	
2	HW1053A00	24	WASHER, BONDED SEALING, GALV	
3	A0002424889	1	ST05 ENCL ROOF EXHAUST GRATE	
4	A0004720390	2	INSUL MID ROOF SERIES 2	
5	A0002424848	2	ST05 ENCL ROOF MID	
6	A0002424845	1	ST05 ENCL DUCT REAR ROOF	
7	A0004720391	1	INSUL REAR ROOF SERIES 2	
8	A0004720392	1	INSUL FRONT ROOF SERIES 2	

REAR PANEL ASSEMBLY



03932

REAR PANEL ASSEMBLY

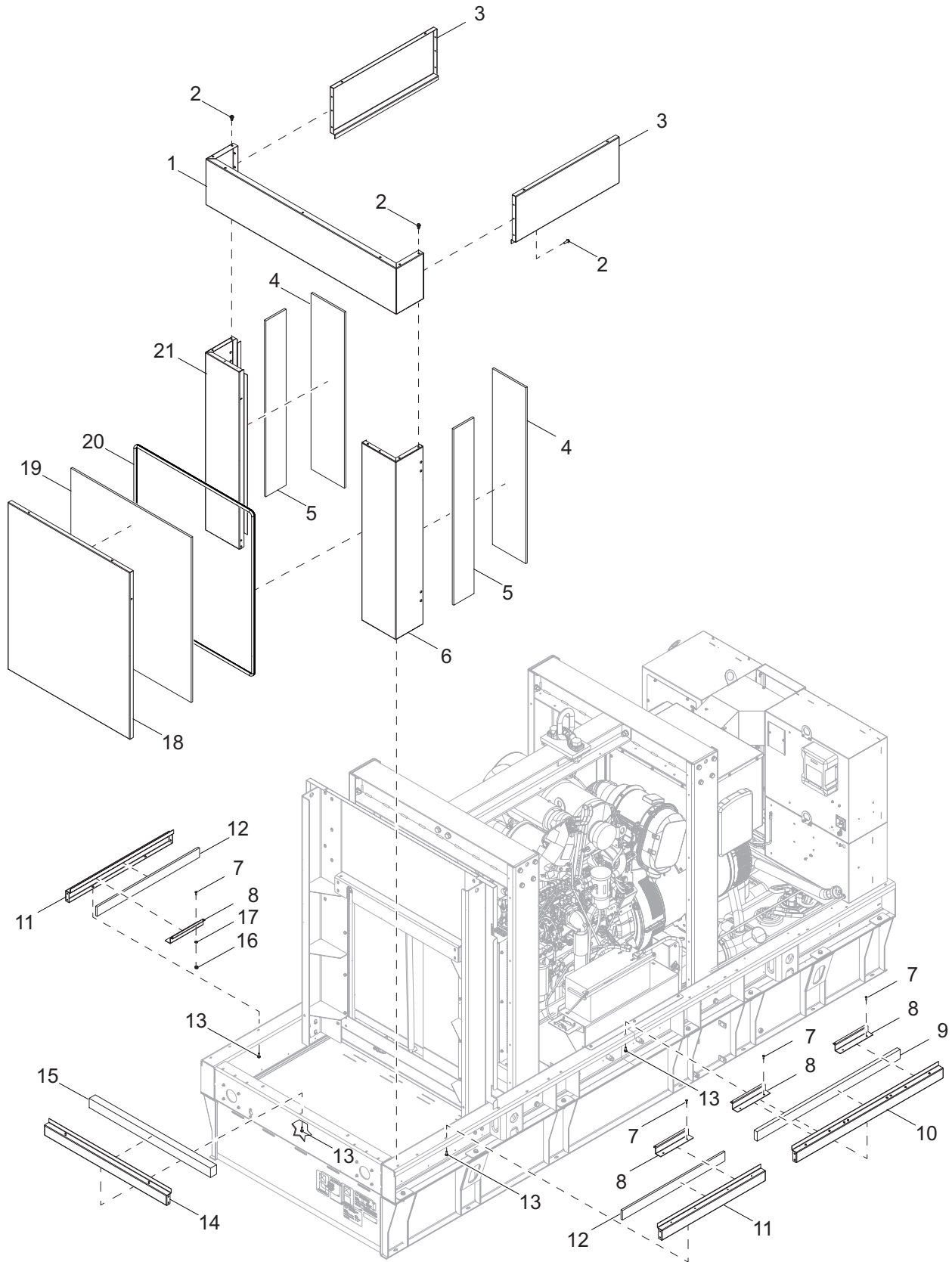
Item	Part No.	Qty	Description	Notes
1	A0002424901	2	ST05 VENTED PANEL	
2	A0002424914	1	ST05 VENTED PANEL	
3	A0002424925	4	ST05 REAR DOOR SEAL PLATE	
4	0C2454	36	SCREW HWHT M6-1 X 16 N WA Z/JS	
5	A0002424835	1	ST05 ENCL CORNER REAR RH SERIES 2	
6	A0004720393	1	INSUL REAR CORNER SERIES 2	
7	A0002424864	1	ST05 ENCL SIDE REAR DOOR BLAN	
8	A0004720394	1	INSUL REAR BLANK PNL SERIES 2	
9	A0003128234	1	ST05 ENCL RAIN GUTTER REAR SERIES 2	
10	A0004720397	1	INSUL REAR TLMY PNL SERIES	
11	A0002424885	1	ST05 BLANK REAR PANEL	
12	0G6131	8	SCREW HHC M6-1.00 X 30 C8.8 FT	
13	60452	8	WASHER, .313 FLAT 1.125/1.000 18-8 SS BO	
14	A0001958809	1	ST05 PLATE NO ZTR	
15	A0000389488	1	GASKET, NO TELEMETRY COVER	
16	A0002424870	1	ST05 ENCL CONTROL BLOCKOFF SERIES 2	
17	A0002425063	1	ST05 VENTED PANEL LH REAR	
18	A0002424832	1	ST05 ENCL CORNER REAR SERIES 2 LH	
19	A0004733986	1	ADAPTER-DEF-G22	
--	A0004733987		CAP-DEF	
20	A0004585187	1	GASKET-DEF FILL-G22	
21	61045	6	NUT, 10-32 SFLG ZC	
22	A0001979801	1	ST05 BLOCK OFF AUX FILL SERIES 3	
23	61180	14	SCREW, 10-32X.750 PAN PHIL 18-8 SS	
24	61222	14	WASHER, #10 SEALING	
25	10000037021	1	GASKET RUBBER SEAL EXT TANKS	
26	A0002424860	1	ST05 ENCL SIDE REAR DOOR FUEL	
27	A0004584740	1	ASSY - DIESEL FILL	
28	A0002424912	2	ST05 MID DOOR SEAL PLATE	

OPTIONAL FEATURES

TELEMETRY (if equipped)

A	A0000389488	1	GASKET, NO TELEMETRY COVER
B	60067	6	WASHER, #10 FLAT .435/.060 18-8 SS
C	0G6131	6	SCREW HHC M6-1.00 X 30 C8.8 FT
D	61180	4	SCREW, 10-32X.750 PAN PHIL 18-8 SS
E	A0000385540	1	TELEMETRY ZTR M8 UR 7310MKII MODBUS
F	15861	1	NUT, SPECIAL, .500 NPT LOCK
G	15863	1	STRAIN RLF, .50 NPT .260/546 ID, WT - TOP
H	A0001956503	1	ST05 PLATE ZTR
J	15863	1	STRAIN RLF, .50 NPT .260/546 ID, WT - BOTTOM

FRONT PANEL ASSEMBLY

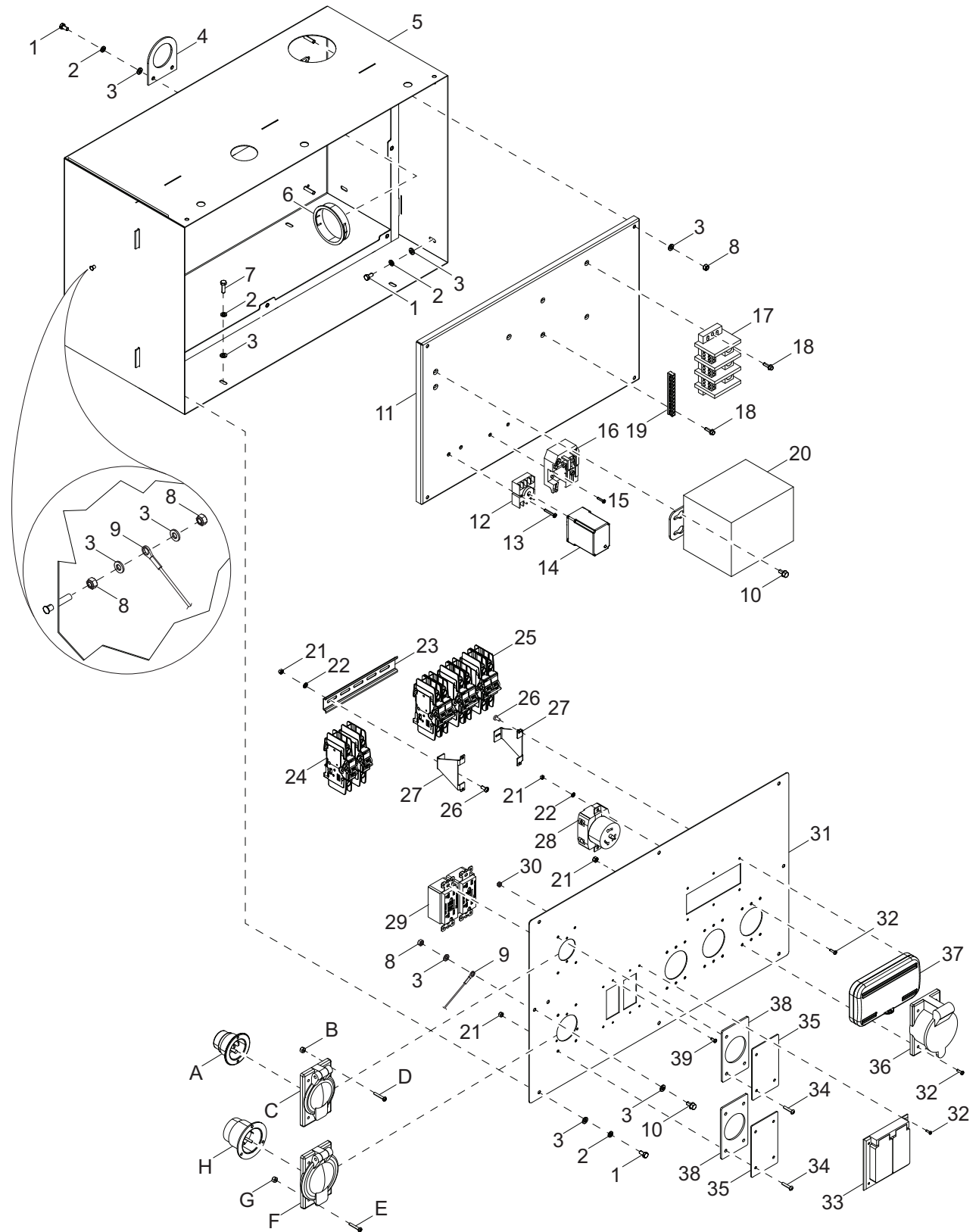


03933

FRONT PANEL ASSEMBLY

Item	Part No.	Qty	Description	Notes
1	A0002424851	1	ST05 ENCL FRONT DISCHARGE WRAP SERIES 2	
2	0C2454	21	SCREW HWHT M6-1 X 16	
3	A0002424873	2	ST05 ENCL SIDE DISCHARGE SERIES 2	
4	A0004720191	2	INSUL FRONT CORNER 1 SERIES	
5	A0004720192	2	INSUL FRONT CORNER 2 SERIES 2	
6	A0002424828	1	ST05 ENCL CORNER FRONT LH SERIES	
7	G045757	12	SCREW HHC M6-1.0 X 25 C8.	
8	A0002057894	6	ST05 DOOR PROP ANCHOR BRACKET	
9	A0004720194	2	INSUL MID SIDE RAIL SERIES 2	
10	A0002424857	2	ST05 ENCL SIDE DOOR SERIES 2	
11	A0002424867	2	ST05 ENCL SIDE REAR DOOR SERIES 2	
12	A0004720198	2	INSUL FRONT SIDE BOTT SERIES 2	
13	0E3257	16	SCREW HHFTT M6-1.0 X 25	
14	A0002424854	1	ST05 ENCL SIDE FRONT SERIES 2	
15	A0004720199	1	INSUL FRONT SIDE SERIES 2	
16	0B2236	12	NUT HEX LOCK M6-1 NY INS	
17	G049811	12	WASHER FLAT M	
18	A0002424882	1	ST05 ENCL FRONT PANEL SERIES 2	
19	A0004720200	1	INSUL FRONT PNL SERIES 2	
20	0A9881	14.0 FT	WEATHERSTRIPPING,	
21	A0002424822	1	ST05 ENCL CORNER FRONT RH SERIES 2	

RECEPTACLE BOX ASSEMBLY



03934

RECEPTACLE BOX ASSEMBLY

Item	Part No.	Qty	Description	Notes
1	G043116	14	SCREW HHC M6-1.0 X 12 G8.8	
2	OJ7513	14	WASHER LOCK M6 CLEAR ZINC	
3	049811	26	WASHER FLAT M	
4	A0001532949	1	ST03 LIFTING EYE CONTROL BOX	
5	A0001050364	1	ST03 WELDMENT, RECEPTACLE BOX	
6	A0000445781	1	BUSHING SNAP SB-3.000-44	
7	G048107	4	SCREW HHC M6-1.0 X 25 C10.9	
8	0B2236	7	NUT HEX LOCK M6-1 NY INS	
9	13926	1	TETHER, CABLE STEEL - 14.50 LONG - .32 H	
10	G090388	3	SCREW HHTT M6-1.0 X 12 ZINC	
11	A0000976133	1	ST03 BASE PANEL	
12	65644	1	BASE, RELAY - 8 POS.	
13	A0002966224	2	SCREW HHTT M4-0.7 X 20 ZP	
14	66340	1	RELAY, VOLTAGE SENSING (132IN 126OUT)	
15	0C2323	2	SCREW PPHT #6-32 X 5/8 ZYC	
16	65461	1	RELAY, 30A DPDT 120VAC POWER	
17	65356	1	BLOCK, TERMINAL-3 POLE, BUSSMAN, 16023-3	
18	A0002969038	4	SCREW HHTT M5-0.8 X 25 ZP	
19	14204	1	KIT, GROUND BAR	
20	21487	1	TRANS, 1.13:1 1-PHASE 500VA (STD BUCK)	
21	0E6480	26	NUT HEX LOCK M4-0.7 NY INS	
22	G043180	2	WASHER FLAT M4	
23	67129	1	RAIL DIN - 35MM X 8.00 (8.3" LG)	
24	A0002863000	2	BREAKER 20A SINGLE POLE	
25	A0002863007	3	BREAKER 50A 2 POLE	
26	G020745	11	SCREW PPHM M4-0.7 X 12	
27	A0001981256	2	ST03 SUPPORT, DIN RAIL	
28	18089	3	RECEPTACLE, 240V/50A TWIST LOCK	
29	0F6207	2	OUTLET 20A GFCI 125V	
30	0D9784	5	NUT HEX LOCK M3-0.5 NY INS	
31	A0001050365	1	ST03 PANEL, RECEPTACLES 120/20 X2 240/50 X3	
32	G080077	12	SCREW PPHM M4-.7 X 20LG ZINC	
33	15849	1	COVER, RECEPTACLE - WEATHER PROOF 20A	
34	G090987	4	SCREW PPHM M3-0.5 X 12	
35	A0002010119	2	ST03 RECEPTACLE BLOCK OFF PLATE	
36	65467	3	COVER, RECEPTACLE - WEATHER PROOF 50A	
37	A0001078522	1	COVER, BREAKER WINDOW	
38	A0002009723	2	GASKET RECEPTACLE	
--	A0000970255	1	HARN RECEPTACLE	

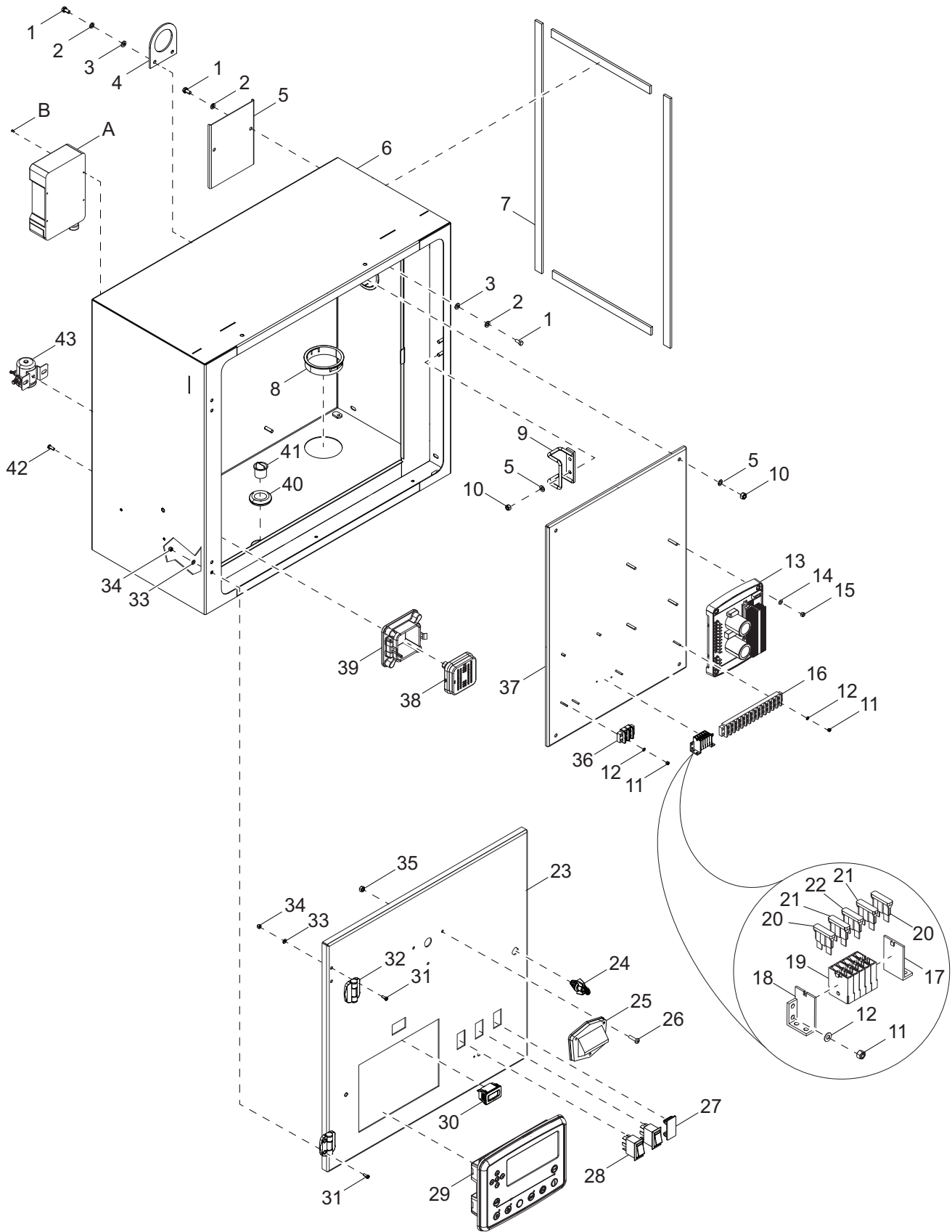
OPTIONAL FEATURES - *BATTERY CHARGER (if equipped)*

A	65285	1	RECEPTACLE, 120V/15A INLET FLANGE
B	0E6480	4	NUT HEX LOCK M4-0.7 NY INS
C	36939	1	COVER, RECEPTACLE - WP 20/30A TWIST-LOK
D	G075475	4	SCREW PPHM M4-0.7 X 10

OPTIONAL FEATURES - *SHORE POWER FOR COLD WEATHER FEATURES (if equipped)*

E	G075475	4	SCREW PPHM M4-0.7 X 10
F	65520	1	COVER, RECEPTACLE - WEATHER PROOF 50A
G	0E6480	4	NUT HEX LOCK M4-0.7 NY INS
H	68635	1	RECEPTACLE, 125V/30A INLET(L5-30P) FLANGE

CONTROL BOX ASSEMBLY



03935

CONTROL BOX ASSEMBLY

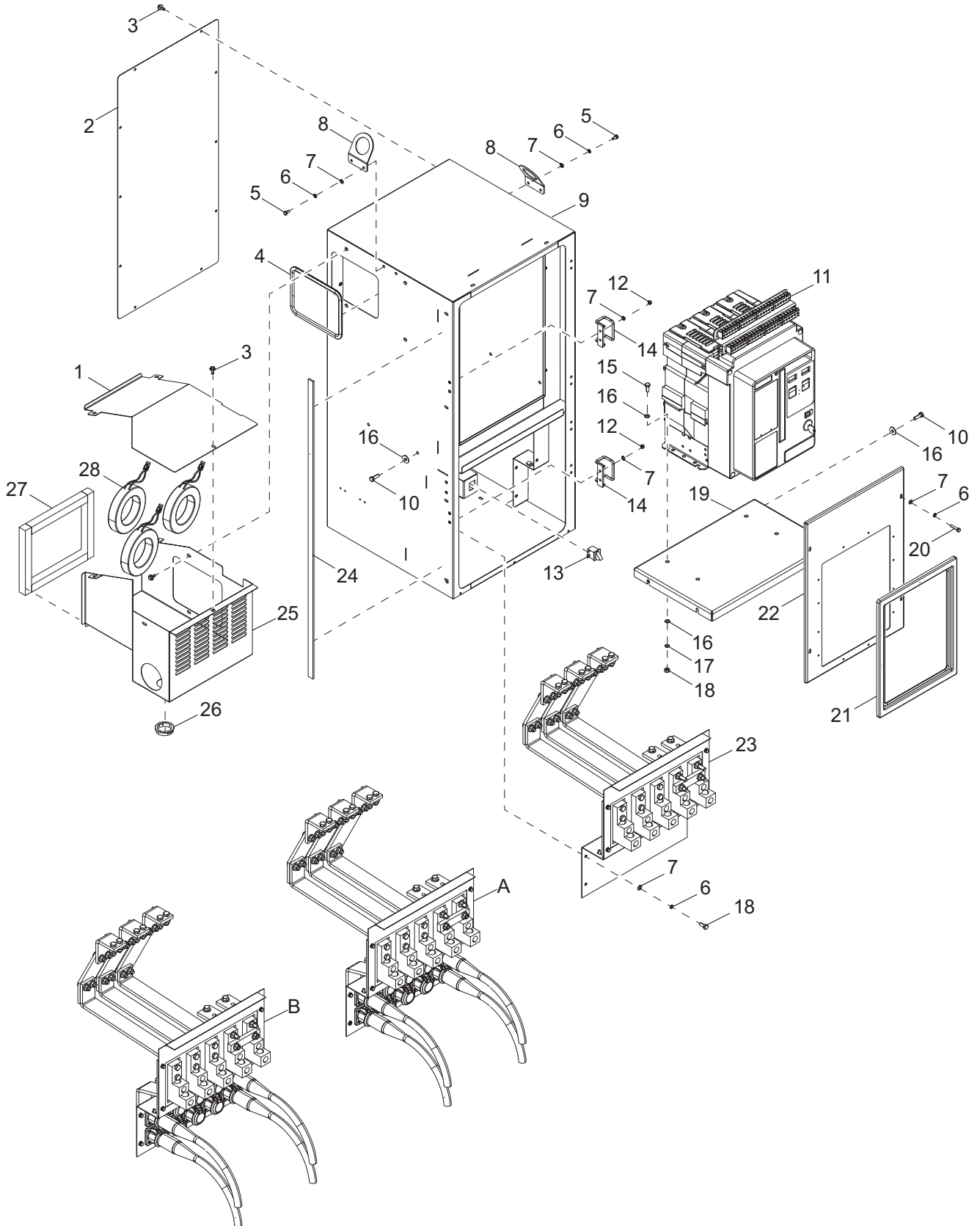
Item	Part No.	Qty	Description	Notes
1	G043116	12	SCREW HHC M6-1.0 X 12 G8.8	
2	OJ7513	12	WASHER LOCK M6 CLEAR ZINC	
3	G049811	20	WASHER FLAT M6	
4	A0001532949	1	ST03 LIFTING EYE CONTROL BOX	
5	A0002106262	1	ST03 BLOCKOFF DSE CONTROL BOX SERIES 3	
6	A0001040158	1	ST03 WELDMENT, POWERZONE CONTROL BOX	
7	50230	2.0 ft	WEATHERSTRIPPING - .188 X .500	
8	A0000445781	2	BUSHING SNAP SB-3.000-44	
9	A0001073997	1	ST11 STRIKER 2 POINT LATCH	
10	0B2236	8	NUT HEX LOCK M6-1 NY INS	
11	0D9784	6	NUT HEX LOCK M3-0.5 NY INS	
12	G052777	6	WASHER FLAT M3	
13	CALL*	1	VOLTAGE REGULATOR DEEP SEA DSEA109	
14	G051713	4	WASHER FLAT M5	
15	G082025	4	NUT HEX LOCK M5-0.8 NYINS ZINC	
16	0C4167	1	BLOCK TERM 20A 14 X 6 X 1100V	
17	0F1264	1	ADAPTER LH SIDE WICKMANN	
18	0F1263	1	ADAPTER RH SIDE WICKMANN	
19	0F1262	5	HOLDER FUSE WICKMANN ATO STYLE	
20	0E7403A	2	FUSE ATO TYPE 5 AMP (TAN)	
21	0E7403C	2	FUSE ATO TYPE 15 AMP (BLUE)	
22	0E7403D	1	FUSE ATO TYPE 20 AMP (YELLOW)	
23	A0002061581	1	ST03 WELDMENT CONTROL BOX DOOR DSE	
24	0L5052	1	LATCH WING TURN W/NUT KEYED	
25	A0001519132	1	ASSY CNTRL PNL LIGHT 12/24VDC	
26	G080077	3	SCREW PPHM M4-.7 X 20LG ZINC	
27	34439	1	PLUG, PANEL SWITCH PLUG 1.91 X .96	
28	68530	2	SWITCH, ROCKER, DPDT, ON/ON	
29	CALL*	1	CONTROLLER DEEP SEA 8610 MKII HEAT DISP	
30	36886	1	METER, HOUR	
31	0K9154	8	SCREW SHC LOW M4-0.7 X 10 G10.9	
32	HW2415A03	2	HINGE, DETENT, NYLON, BLACK, 120 DEG, 170 DEG	
33	G043180	14	WASHER FLAT M4	
34	0E6480	14	NUT HEX LOCK M4-0.7 NY INS	
35	0F7806	3	NUT HEX FL WHIZ M4-0.7	
36	G048766	1	BLOCK TERM 20A 2 X 6 X 1100V	
37	A0002098404	1	ST03 BASE PANEL DEEP SEA	
38	10000022630	1	CONN DEUTSCH RECP 60 POS DRB SERIES	
39	10000022641	1	CONN DEUTSCH INTERFACE FLANGE DRB	
40	0D8741	1	PLUG PLASTIC 3/4 NPT CNTR PULL	
41	G072252	1	GROMMET 1.37 X .06 X 1.00	
42	0G3869	6	SCREW PPPH HI-LO #10-16 X 1/	
43	G082982	1	RELAY CONTACTOR 24VDC	

OPTIONAL FEATURES - BATTERY CHARGER (if equipped)

A	A0001524585	1	BATTERY CHARGER AGM 2430 WHT
B	G075475	4	SCREW PPHM M4-0.7 X 10
--	65285	1	RECEPTACLE, 120V/15A INLET FLANGE
--	36939	1	COVER, RECEPTACLE - WP 20/30A TWIST-LOK
--	10000019229	1	DECAL ISO READ MANUAL

Note: *To order replacement controller, contact Generac Mobile Products with unit serial number.

BREAKER/LUG BOX ASSEMBLY



03936

BREAKER/LUG BOX ASSEMBLY

Item	Part No.	Qty	Description	Notes
1	A0002291382	1	ST03 BOX COVER, WIRE GATHERING	
2	A0002291360	1	ST03 AC BOX COVER	
3	0C2454	12	SCREW HWHT M6-1 X 16 N WA Z/JS	
4	19351	1	SEAL, U-CHANNEL	
5	G043116	4	SCREW HHC M6-1.0 X 12 G8.8	
6	OJ7513	20	WASHER LOCK M6	
7	G049811	24	WASHER FLAT M6	
8	A0001516011	2	ST03 LIFT EYE CONTROL BOX	
9	A0002291381	1	ST03 BREAKER AC BOX MDE330	
10	G043107	4	SCREW HHC M8-1.25 X 25 C8.8	
11	A0001904833	1	BREAKER 1000A 3PH	
--	A0001904834	1	BREAKER 1000A 3PH MOTORIZED	
12	0B2236	4	NUT HEX LOCK M6-1 NY INS	
13	12632	1	SWITCH, TRIGGER SAFETY, N.O. & N.C	
14	A0001073997	2	ST11 STRIKER 2 POINT LATCH G9.3L	
15	G055173	4	SCREW HHC M8-1.25 X 20 C10.9	
16	G058653	16	WASHER FLAT M8	
17	0D3919	8	WASHER LOCK M8 ZINC	
18	G045771	12	NUT HEX M8-1.25 G8 CLEAR ZINC	
19	A0002098090	1	ST03 MOUNT CIRCUIT BREAKER	
20	G038750	4	SCREW HHC M6-1.0 X 30 C8.8	
21	A0004584742	1	COVER-CIRCUIT BREAKER	
22	A0002291367	1	ST03 BREAKER DOOR	
23	A0004584745	1	ASSY-LUG-NO CAM LOCK	
24	G089961	1	FOAM STRIP 3/4WIDE X 3/16THK	
25	A0002291384	1	ST03 BOX, WIRE GATHERING	
26	023484J	1	BUSHING SNAP SB-2000-26	
27	G052250	4	TAPE FOAM 1X1	
28	OJ0481J	3	XFMR CURRENT 1000A W/BRKT UL	

OPTIONAL FEATURES

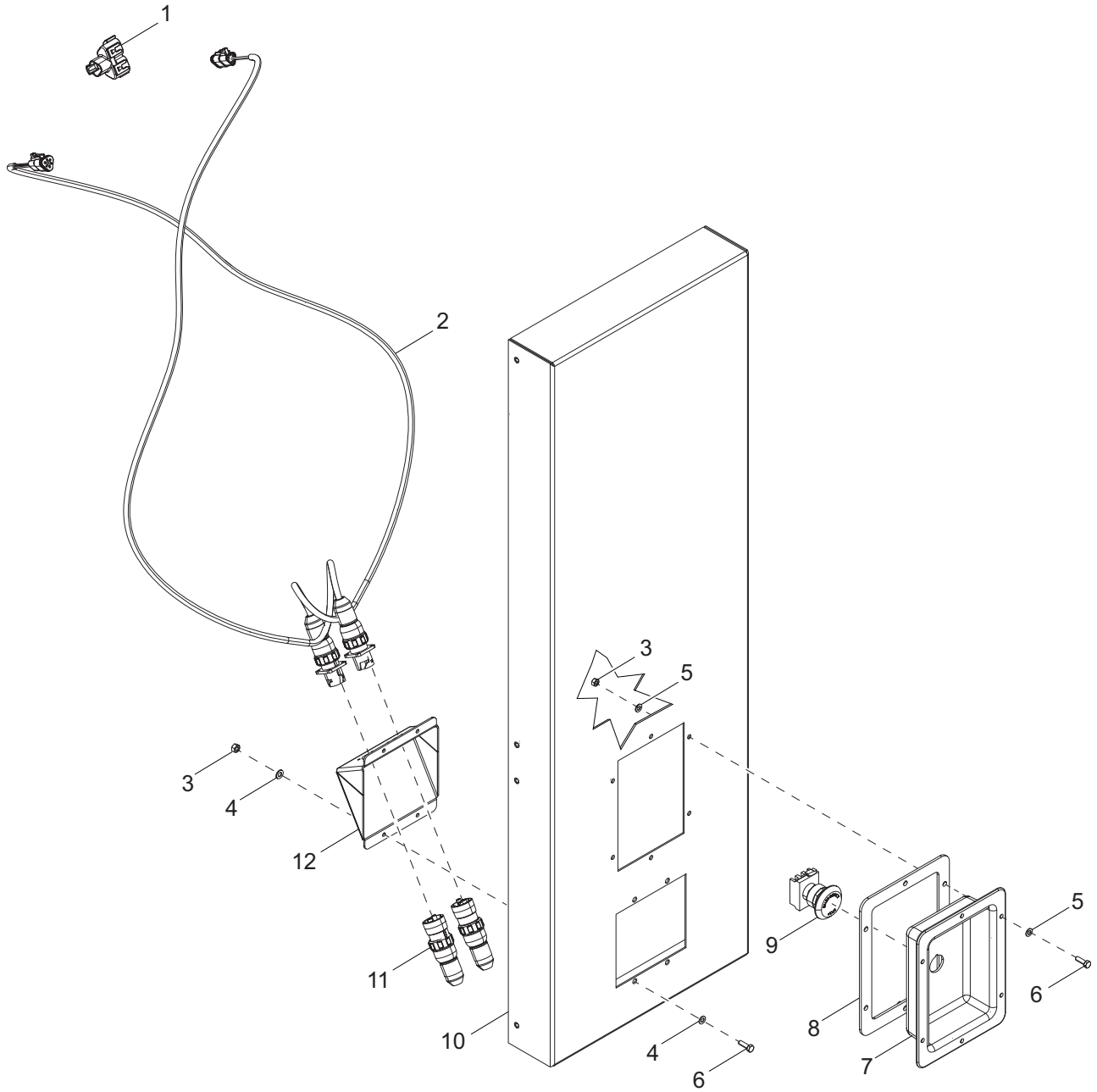
LUG PANEL ASSEMBLY - US OPTION (if equipped)

A A0004584746 1 ASSY-LUG-CAM LOCK-US

LUG PANEL ASSEMBLY - CANADA OPTION (if equipped)

B A0004584747 1 ASSY-LUG-CAM LOCK-CANADA

PARALLELING OPTION

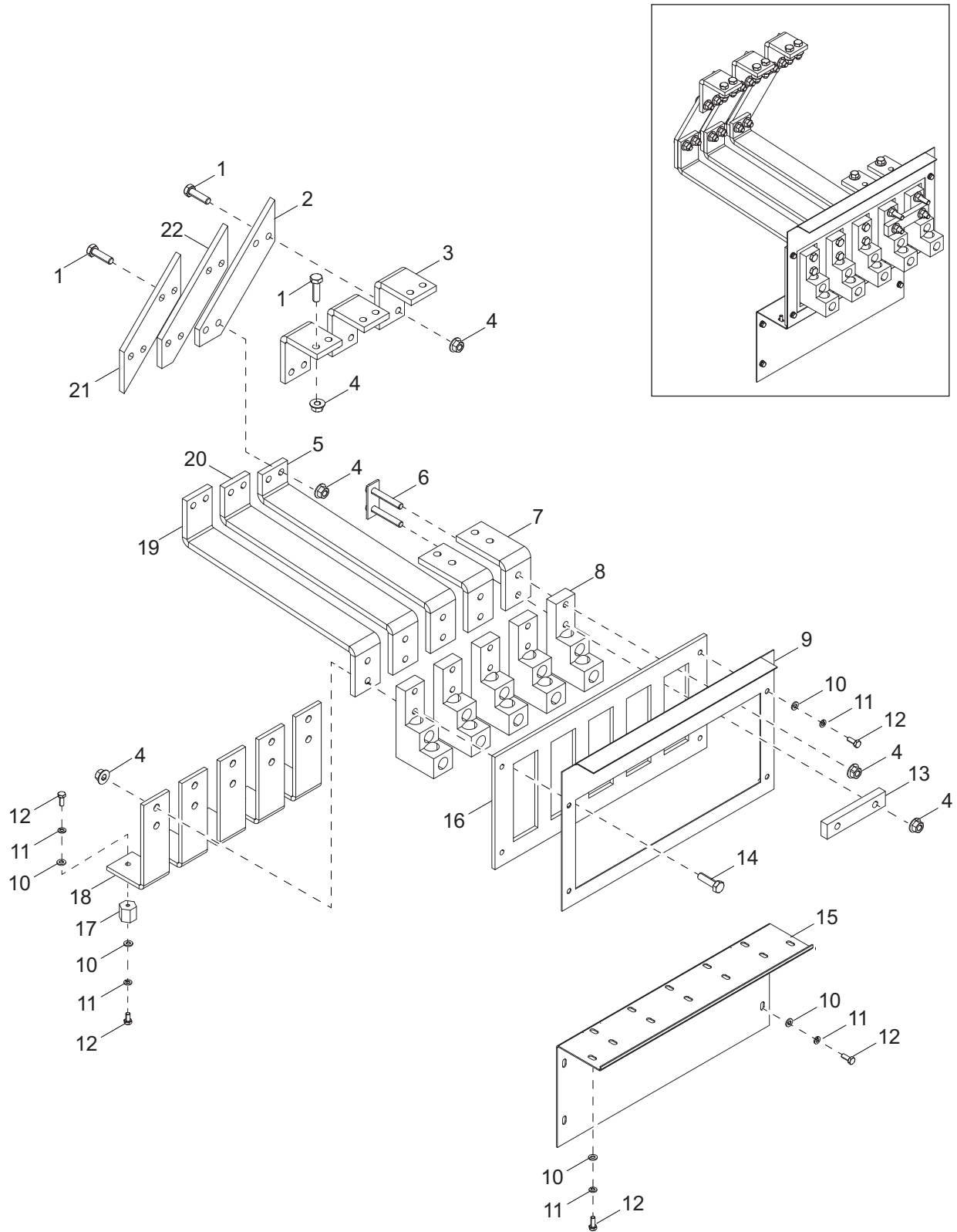


03937

PARALLELING OPTION

Item	Part No.	Qty	Description	Notes
1	0E0453J	1	RECPT Y-CONNECTOR	
2	A0002203184	2	HARNESS PARALLELING DSE8610	
3	G082025	10	NUT HEX LOCK M5-0.8 NYINS ZINC	
4	G051713	8	WASHER FLAT M5	
5	G080857	12	WASHER FLAT M5 SS	
6	G070001	8	SCREW HHC M6-1.0 X 20 SS	
7	30645	1	PANEL, EMERGENCY STOP	
8	A0003702750	1	GASKET EMERGENCY STOP	
9	65470	1	SWITCH, E-STOP OPERATOR	
10	A0002457612	1	ST05 E-STOP MOUNTING PANEL PARALLEL	
11	67811	2	PLUG ASSY, RESISTOR MSC PARALLEL	
12	10000016717	1	PANEL - PARALLEL CONN	
--	10000013819	1	DECAL PARALLELING OPTION	

LUG PANEL ASSEMBLY - STANDARD

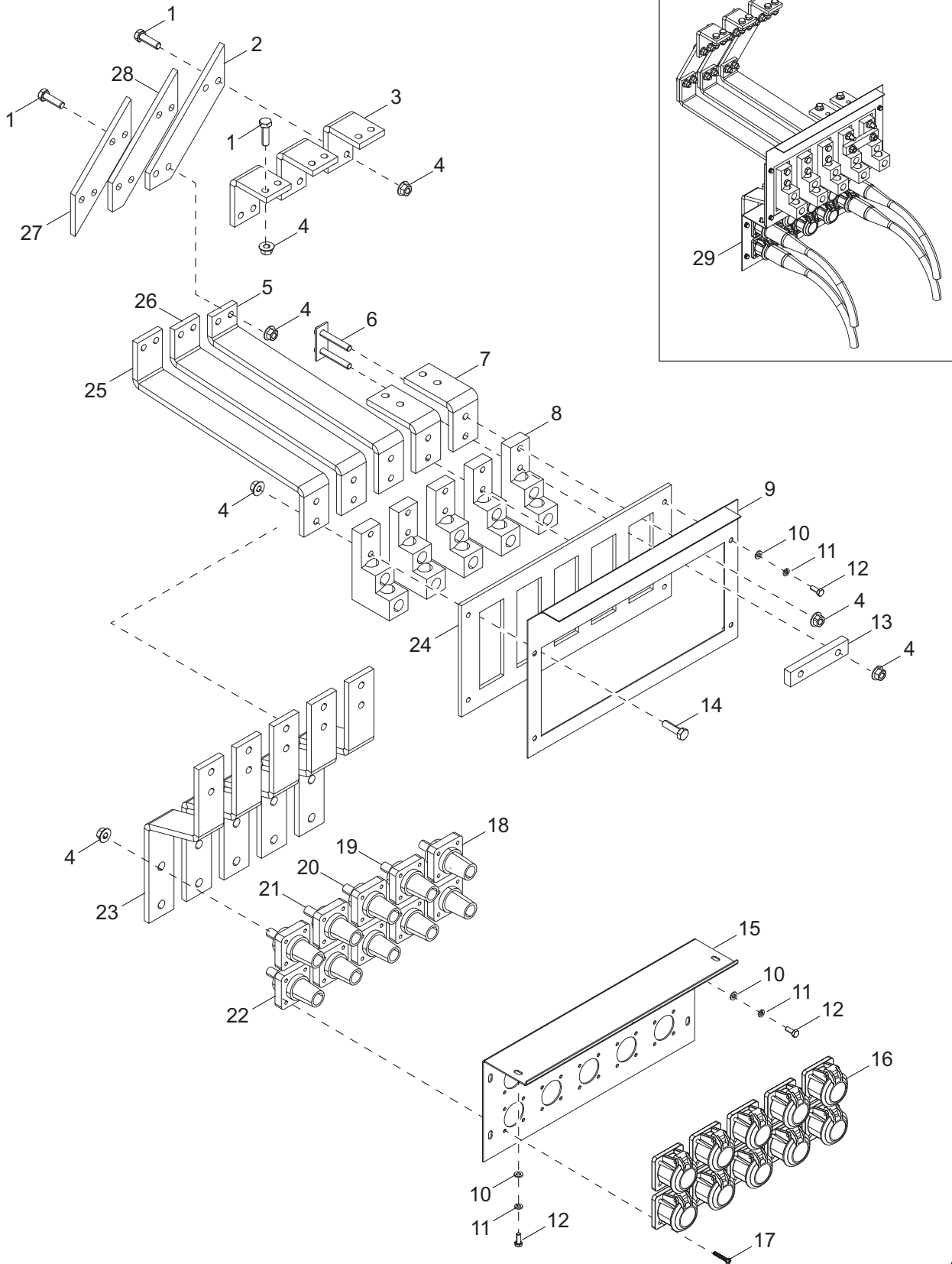


03938

LUG PANEL ASSEMBLY- STANDARD

Item	Part No.	Qty	Description	Notes
1	G049541	20	SCREW HHC M10-1.5 X 35 C8.8	
2	A0002297555	1	BUS BAR DISTRIBUTION E MDE330	
3	A0002297554	3	BUS BAR DISTRIBUTION D MDE330	
4	G052859	26	NUT TOP LOCK FL M10-1.50	
5	A0002297553	1	BUS BAR DISTRIBUTION C MDE330	
6	A0001540490	2	ST03 WELDMENT BOLT RETAINER M10X65	
7	A0002297558	2	BUS BAR DISTRIBUTION H MDE330	
8	A0002352826	5	LUG TERMINAL DUAL 2AWG TO 750MCM 2 HOLE	
9	A0002101586	1	ST03 MNT CUSTOMER CONNECT	
10	G049811	50	WASHER FLAT M6	
11	OJ7513	50	WASHER LOCK M6 CLEAR ZINC	
12	G047411	50	SCREW HHC M6-1.0 X 16 C8.8	
13	A0002528834	1	BUS BAR	
14	10000035393	6	SCREW HHC M10-1.5 X 50 C12.9	
15	A0002297560	1	ST05 PLATE, CAM LOCK	
16	A0002297543	1	PANEL POLY LUGS MDE330	
17	A0001540492	10	STANDOFF ISOLATOR 25MM HEX X 25LG M6	
18	A0004107079	5	ST03 SUPPORT, LUG TERMINAL	
19	A0002297551	1	BUS BAR DISTRIBUTION A MDE330	
20	A0002297552	1	BUS BAR DISTRIBUTION B MDE330	
21	A0002297557	1	BUS BAR DISTRIBUTION G MDE330	
22	A0002297556	1	BUS BAR DISTRIBUTION F MDE330	

LUG PANEL ASSEMBLY - US

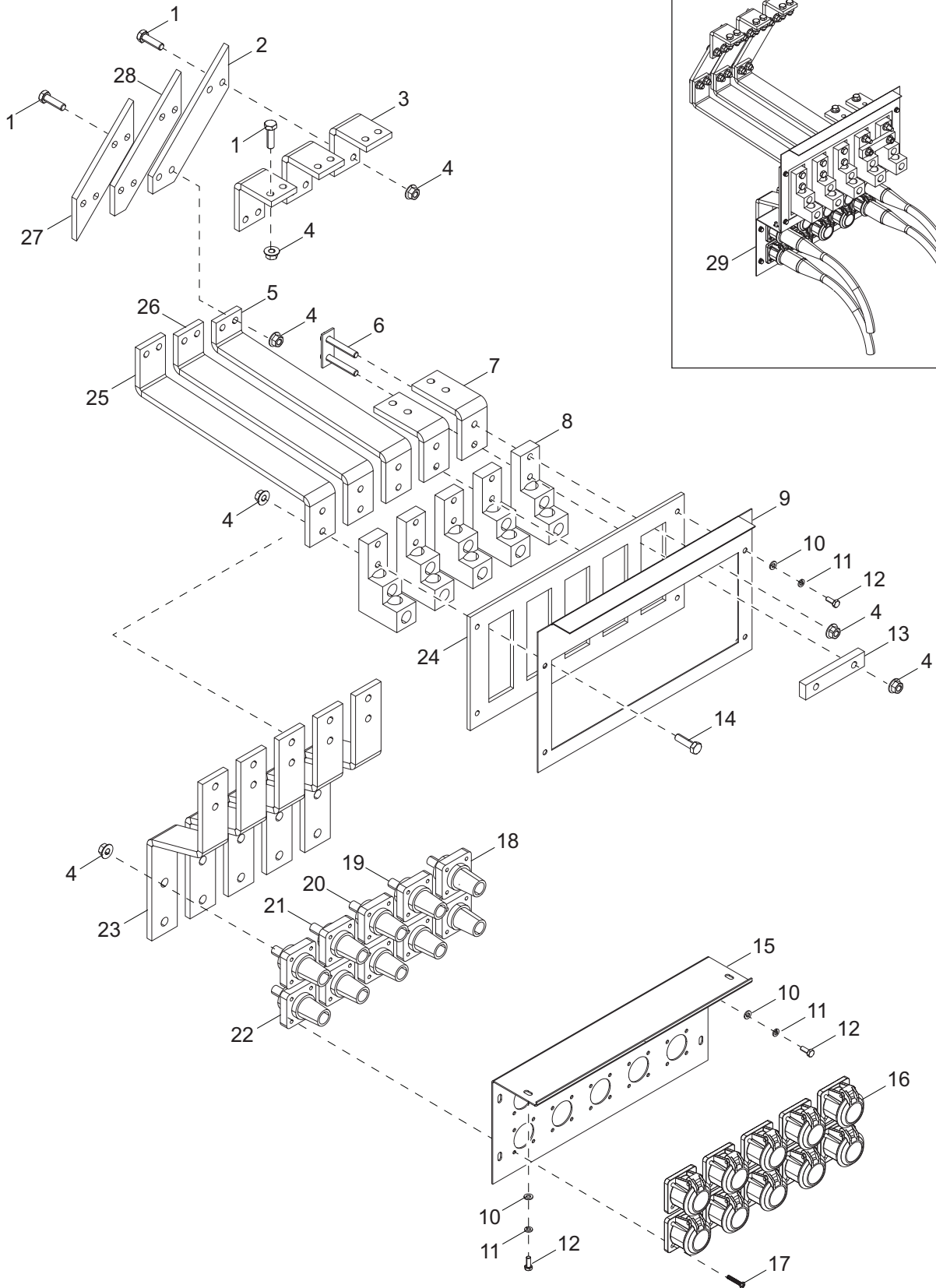


03939

LUG PANEL ASSEMBLY- US

Item	Part No.	Qty	Description	Notes
1	G049541	20	SCREW HHC M10-1.5 X 35 C8.8	
2	A0002297555	1	BUS BAR DISTRIBUTION E MDE330	
3	A0002297554	3	BUS BAR DISTRIBUTION D MDE330	
4	G052859	28	NUT TOP LOCK FL M10-1.50	
5	A0002297553	1	BUS BAR DISTRIBUTION C MDE330	
6	A0001540490	2	ST03 WELDMENT BOLT RETAINER M10X65	
7	A0002297558	2	BUS BAR DISTRIBUTION H MDE330	
8	A0002352826	5	LUG TERMINAL DUAL 2AWG TO 750MCM 2 HOLE	
9	A0002101586	1	ST03 MNT CUSTOMER CONNECT	
10	G049811	10	WASHER FLAT M6	
11	OJ7513	10	WASHER LOCK M6 CLEAR ZINC	
12	G047411	10	SCREW HHC M6-1.0 X 16 C8.8	
13	A0002528834	1	BUS BAR	
14	10000035393	6	SCREW HHC M10-1.5 X 50 C12.9	
15	A0002291349	1	AL03 PLATE, CAM LOCK	
16	A0002704314	10	COVER CAMLOCK CLEAR	
17	A0002745531	40	SCREW PPPH #8-16 X 1.00 ZC	
18	66041	2	CONN, CAM LOCK FLANGE FEMALE, 400A, GRN	
19	66040	2	CONN, CAM LOCK FLANGE FEMALE, 400A, WHIT	
20	65553	2	CONN, CAM LOCK FLANGE FEMALE, 400A, BLUE	
21	65552	2	CONN, CAM LOCK FLANGE FEMALE, 400A, RED	
22	65551	2	CONN, CAM LOCK FLANGE FEMALE, 400A, BLK	
23	A0002297549	5	BUS BAR CAM MDE330	
24	A0002297543	1	PANEL POLY LUGS MDE330	
25	A0002297551	1	BUS BAR DISTRIBUTION A MDE330	
26	A0002297552	1	BUS BAR DISTRIBUTION B MDE330	
27	A0002297557	1	BUS BAR DISTRIBUTION G MDE330	
28	A0002297556	1	BUS BAR DISTRIBUTION F MDE330	
29	A0004584746	1	ASSY-LUG-CAM LOCK-US	

LUG PANEL ASSEMBLY - CANADA

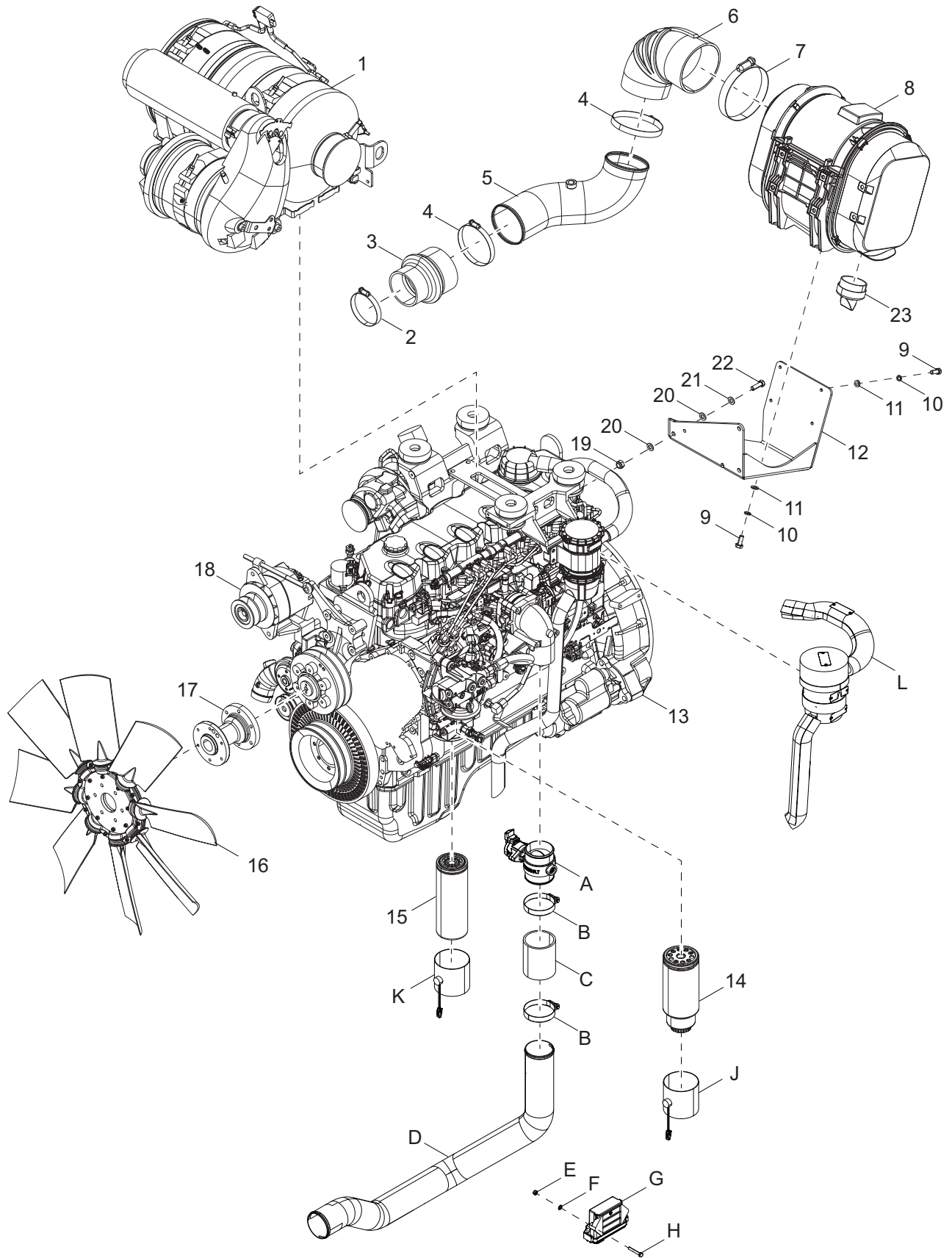


03939

LUG PANEL ASSEMBLY- CANADA

Item	Part No.	Qty	Description	Notes
1	G049541	20	SCREW HHC M10-1.5 X 35 C8.8	
2	A0002297555	1	BUS BAR DISTRIBUTION E MDE330	
3	A0002297554	3	BUS BAR DISTRIBUTION D MDE330	
4	G052859	28	NUT TOP LOCK FL M10-1.50	
5	A0002297553	1	BUS BAR DISTRIBUTION C MDE330	
6	A0001540490	2	ST03 WELDMENT BOLT RETAINER M10X65	
7	A0002297558	2	BUS BAR DISTRIBUTION H MDE330	
8	A0002352826	5	LUG TERMINAL DUAL 2AWG TO 750MCM 2 HOLE	
9	A0002101586	1	ST03 MNT CUSTOMER CONNECT	
10	G049811	10	WASHER FLAT M6	
11	OJ7513	10	WASHER LOCK M6 CLEAR ZINC	
12	G047411	10	SCREW HHC M6-1.0 X 16 C8.8	
13	A0002528834	1	BUS BAR	
14	10000035393	6	SCREW HHC M10-1.5 X 50 C12.9	
15	A0002291349	1	AL03 PLATE, CAM LOCK	
16	A0002704314	10	COVER CAMLOCK CLEAR	
17	A0002745531	40	SCREW PPPH #8-16 X 1.00 ZC	
18	66041	2	CONN, CAM LOCK FLANGE FEMALE, 400A, GRN	
19	66040	2	CONN, CAM LOCK FLANGE FEMALE, 400A, WHIT	
20	65553	2	CONN, CAM LOCK FLANGE FEMALE, 400A, BLUE	
21	65551	2	CONN, CAM LOCK FLANGE FEMALE, 400A, BLK	
22	65552	2	CONN, CAM LOCK FLANGE FEMALE, 400A, RED	
23	A0002297549	5	BUS BAR CAM MDE330	
24	A0002297543	1	PANEL POLY LUGS MDE330	
25	A0002297551	1	BUS BAR DISTRIBUTION A MDE330	
26	A0002297552	1	BUS BAR DISTRIBUTION B MDE330	
27	A0002297557	1	BUS BAR DISTRIBUTION G MDE330	
28	A0002297556	1	BUS BAR DISTRIBUTION F MDE330	
29	A0004584747	1	ASSY-LUG-CAM LOCK-CANADA	

ENGINE ASSEMBLY - LEFT SIDE



03940

ENGINE ASSEMBLY - LEFT SIDE

Item	Part No.	Qty	Description	Notes
1	REF (1)	1	AFTERTREATMENT-DOC/DPF/SCR	
2	0G1285G	1	CLAMP CNST TENSION 3.75-4.625	
3	A0003081280	1	AIR INTAKE REDUCE COUP 5X4" MOBILE S2	
4	0G1285J	2	CLAMP CNST TENSION 4.75-5.625	
5	A0002871731	1	ST03 WELDED TUBE 5"OD AIR CLEAN TO TURBO	
6	A0003081279	1	AIR INTAKE REDUCE 90 ELB 6X5" MOBILE S2	
7	A0001214472	1	CLAMP CNST TENSION 5.25-6.125	
8	A0003081278	1	AIR FILTER TOP REMOVE MOBILE S	
9	G039253	8	SCREW HHC M8-1.25 X 20 C8.8	
10	0D3919	8	WASHER LOCK M8 ZINC	
11	G058653	8	WASHER FLAT M8	
12	A0002457618	1	ST03 MDE330 FILTER BRACKET	
13	A0002097786	1	MOTOR-STARTER	
14	A0001784470	1	FILTER-FUEL-G22	
15	A0001784472	1	FILTER-FUEL, SECONDARY	
16	A0004436190	1	FAN-ENGINE-G22	
17	REF (1)	1	SPACER, FAN	
18	A0004436188	1	ALTERNATOR-G22	
19	G045773	3	NUT HEX M12-1.75 G8 YEL CHR	
20	G049808	6	WASHER FLAT M1	
21	G051769	3	WASHER LOCK M12	
22	G053607	3	SCREW HHC M12-1.75 X 35 C8.	
23	A0004734310	1	BOOT, DUST EJECTOR	

OPTIONAL FEATURES:

POSITIVE AIR SHUTDOWN - (PAS) (if equipped)

A	A0002219227	1	C50335 PACBRAKE 3" PAS VALVE
B	0G1285E	2	CLAMP CNST TENSION 2.75-3.625
C	080773B	1	HOSE 3 ID X 4 LG HIGH TEMP
D	A0002325324	1	MDE330 PAS INTAKE PIPE
E	0B2236	2	NUT HEX LOCK M6-1 NY INS
F	G049811	2	WASHER FLAT M6
G	A0000634488	1	MODULE PAS C20645-1 PACBRAKE
H	G051753	2	SCREW HHC M6-1.0 X 40 C8.8 FTH
--	A0001497004	1	PACBRAKE HARNESS

FUEL FILTER HEATER (if equipped):

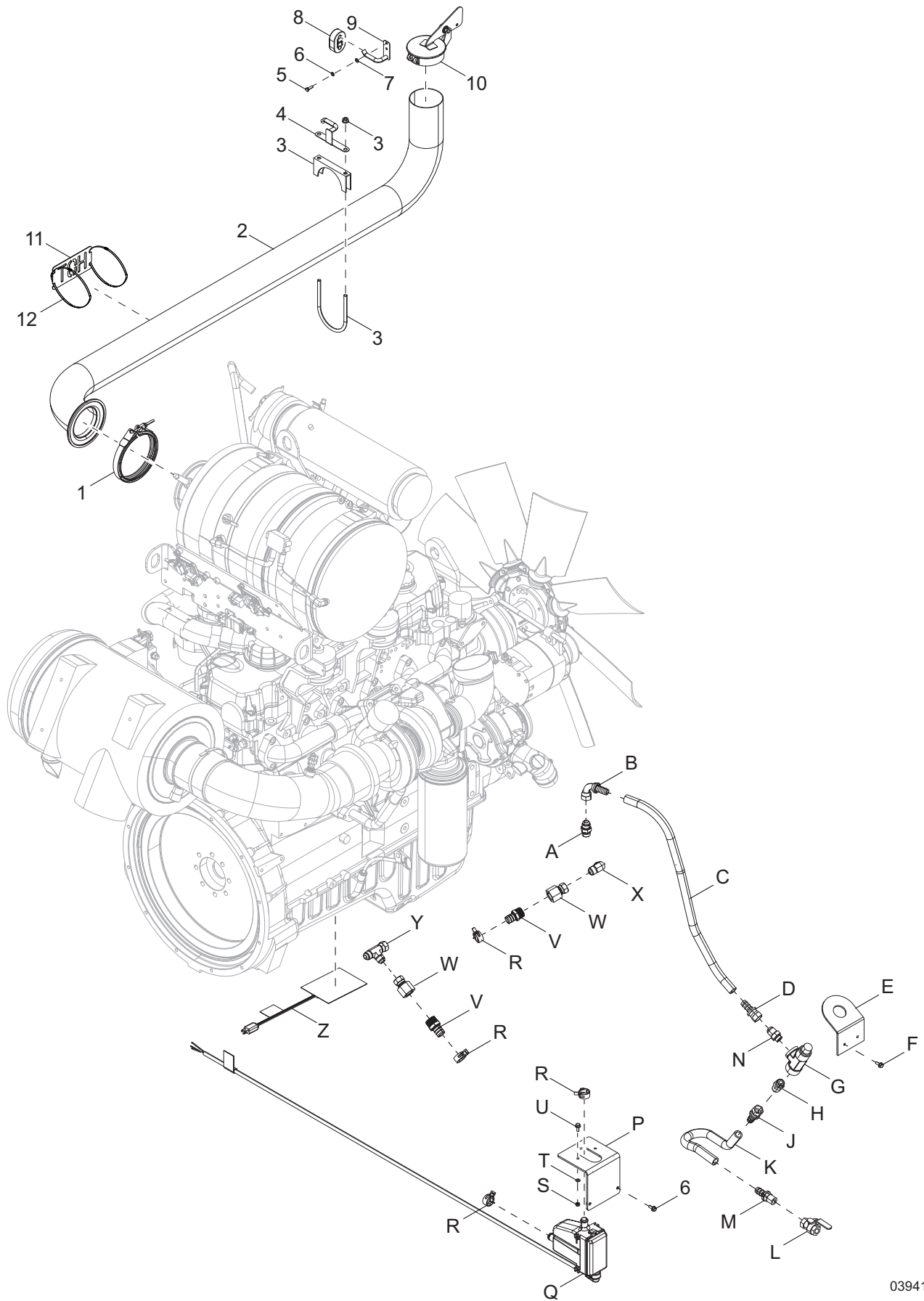
J	A0003358993	1	FUEL FILTER HEATER (24VDC/50W)
K	A0001611195	1	FUEL FILTER HEATER (24VDC/50W)

CCV HEATER (if equipped):

L	A0004584748	1	113M CCV HEATER OPTION D9.3L
---	-------------	---	------------------------------

Note: Engine and generator parts used in all Generac Mobile, equipment carry the Original Equipment Manufacturer (OEM) warranty unless otherwise stated. OEM warranty parts must be purchased through an OEM dealer. Please contact Generac Mobile Products, LLC with questions. (1) See Generac Engine Manual p/n A0004415499

ENGINE ASSEMBLY - RIGHT SIDE



03941

ENGINE ASSEMBLY - RIGHT SIDE

Item	Part No.	Qty	Description	Notes
1	A0003725786	1	CLAMP V-BAND 6 IN	
2	A0002155051	1	EXHAUST OUTLET MDE330	
3	G083468	1	BOLT U 3/8-16 X 4	
4	A0002979325	1	ST03 EXHAUST HANGER LOWER MDE330	
5	G042568	2	SCREW HHC M6-1.0 X 20 C8.8	
6	OJ7513	2	WASHER LOCK M6 CLEAR ZINC	
7	G049811	2	WASHER FLAT M6	
8	A0002979326	1	ST03 EXHAUST HANGER UPPER MDE330	
9	A0002240667	1	UNIVERSAL RUBBER EXHAUST BRACKT HANGER	
10	G083218	1	RAIN CAP 4.00/4.19	
11	0D3701B	1	PLATE HOT 70 X 140	
12	OK1526B	2	TIE WRAP 20.5 STAINLESS STEEL	

OPTIONAL FEATURES

BLOCK HEATER (if equipped):

A	A0003083618	1	FITTING CHECK VALVE ADAPTR 10ORBMX10JICM
B	A0001200291	1	FITTING ELBOW .625 BARB PL X 10 JICF
C	A0001198845		HOSE .625 PUSH LOCK
D	A0001152827	1	FITTING STRT .625 BARB X 10 JICF
E	A0001679387	1	ST03 BRACKET ASM OIL QUICK KIT
F	10000022416	2	SCREW HHFC M6-1.0 X 16 C8.8
G	A0001204026	1	RPM QUICK CONNECT
H	A0001160073	1	FITTING STRT 0.875 ORBM X 10 JICM
J	A0001152827	1	FITTING STRT .625 BARB X 10 JICF
K	A0001198845		HOSE .625 PUSH LOCK
L	60996	1	VALVE, BALL .50NPTF 3-PORT
M	A0001204071	1	FITTING STRT .675 BARB X 0.5 MNTPF
N	A0001152113	1	FITTING STRT .750 ORBM X 10 JICM

QUICK OIL CHANGE KIT (if equipped):

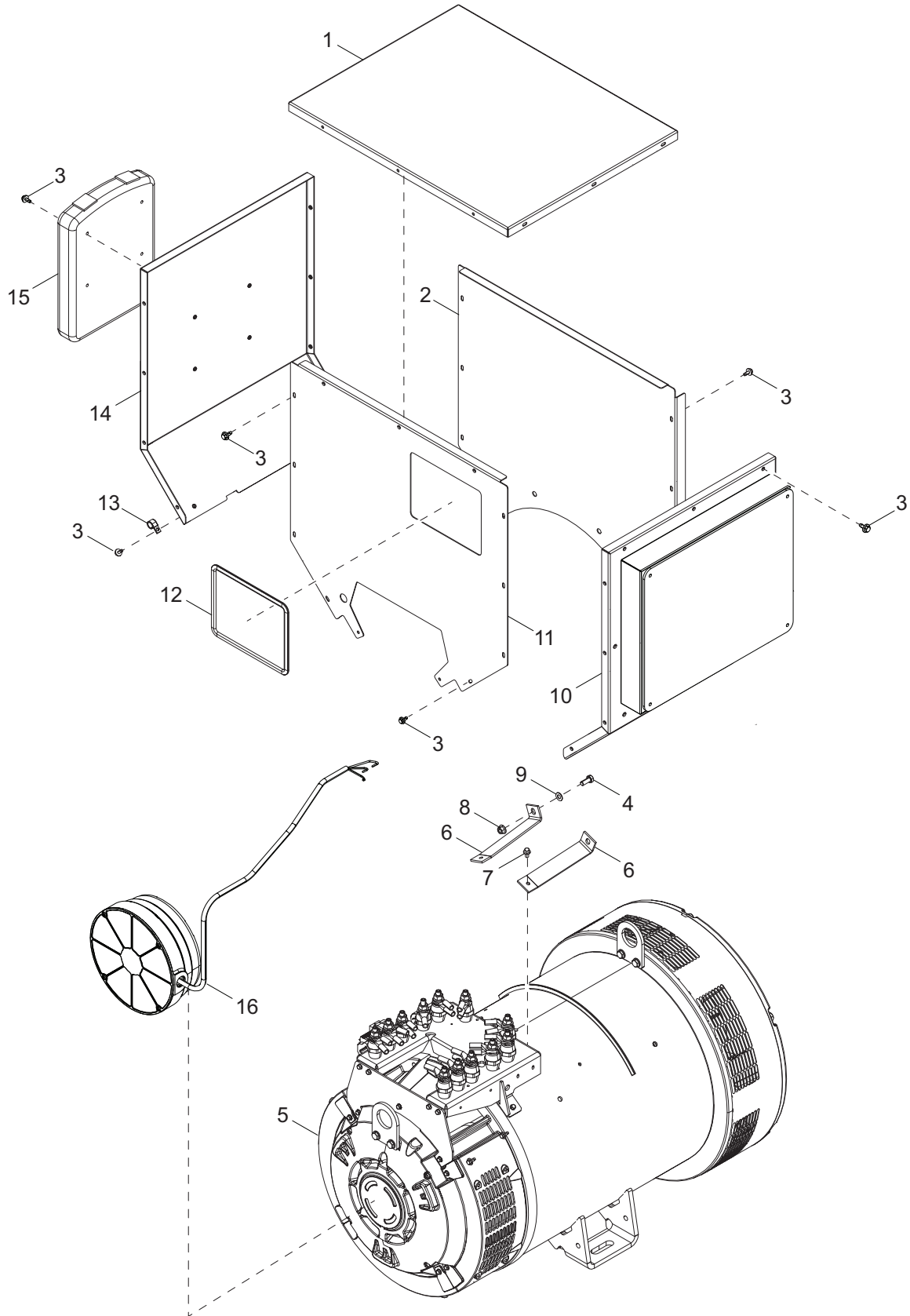
P	A0001578506	1	ST03 BRACKET ASY BLOCK HEATER
Q	A0001578477	1	BLOCK HEATER P&T 3305068 120V 2250W
R	10000037182	4	CLAMP HOSE - SPRING TYPE- CTB - 27ST
S	G049813	2	NUT HEX M6-1.0 G8 CLEAR ZINC
T	G049811	2	WASHER FLAT M6
U	10000022416	4	SCREW HHFC M6-1.0 X 16 C8.8
V	HW4046A63	1	FITTING, BR, 3/4" NPT-3/4" BARB
W	A0003346017	1	FITTING STRT -10 JICF X -12 NPTF
X	A0001578506	1	ST03 BRACKET ASY BLOCK HEATER MDE570
Y	A0003279859	1	FITTING STRT TEE 10 JIC 2MX1F

OIL HEATER (if equipped):

Z	A0001382413	1	SILICON PAD HEATER 120V 1000W 6"X10-3/4"
--	15864	1	STRAIN RELIEF- .50 NPT WATERTIGHT .270/.464 ID

Note: Engine and generator parts used in all Generac Mobile Products, LLC equipment carry the Original Equipment Manufacturer (OEM) warranty unless otherwise stated. OEM warranty parts must be purchased through an OEM dealer. Please contact Generac Mobile Products, LLC with questions.

GENERATOR ASSEMBLY



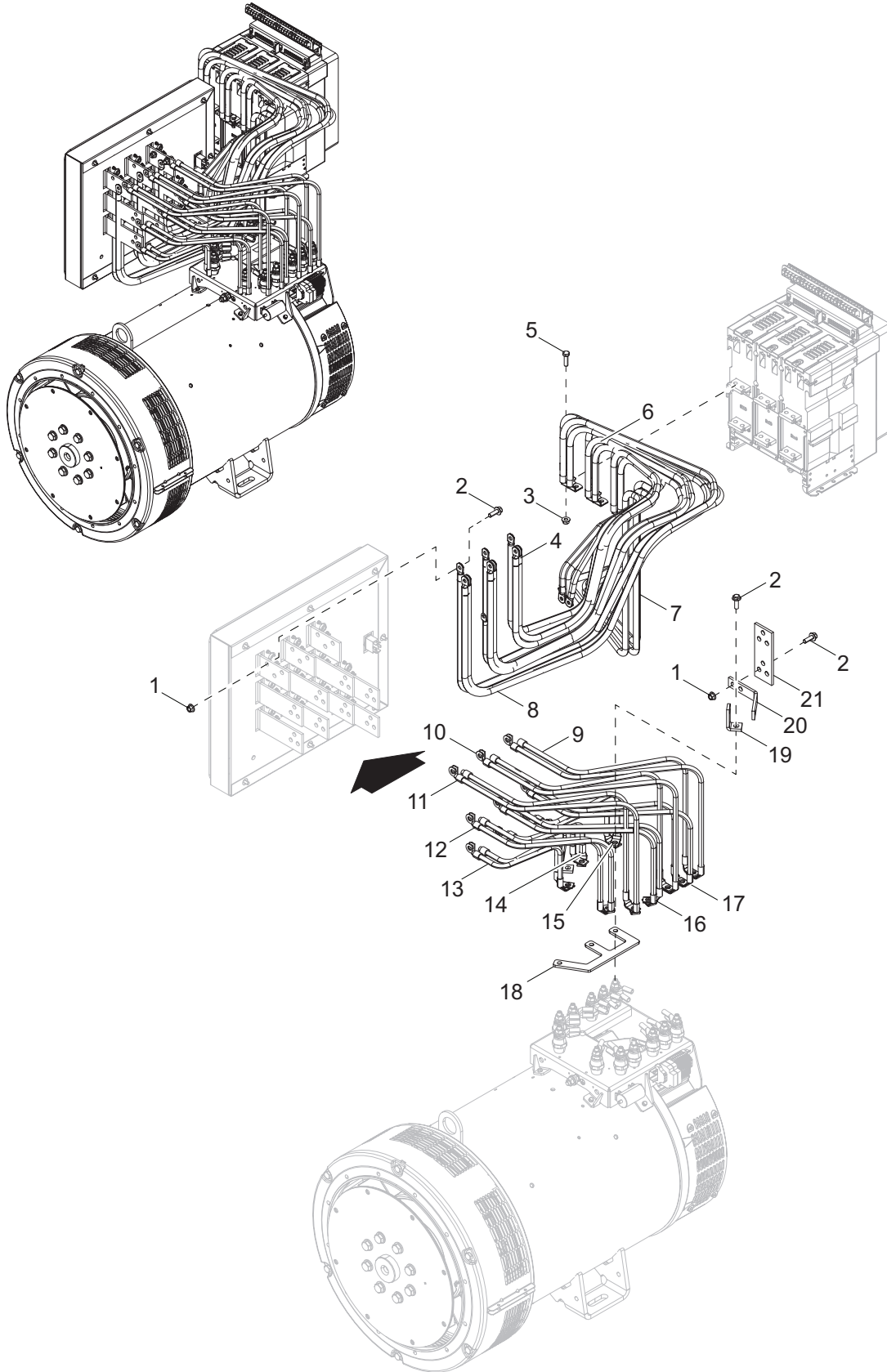
03942

GENERATOR ASSEMBLY

Item	Part No.	Qty	Description	Notes
1	A0002257057	1	ST03 GENERATOR BOX TOP	
2	A0002257054	1	ST03 GENERATOR BOX FRONT	
3	0C2454	32	SCREW HWHT M6-1 X 16 N WA Z/JS	
4	G049814	2	SCREW HHC M10-1.5 X 25 C8.8	
5	A0001389739	1	ALTERNATOR LSA 46.3 L10 SAE 1/14	STANDARD
--	A0001389741	1	ALTERNATOR LSA 46.3 L11 SAE 1/14	SUPERSTART
--	A0001389744	1	ALTERNATOR LSA 46.3 L11 SAE 1/14 600V	V-FLEX
6	A0002257060	2	ST03 BRACKET ALTERNATOR	
7	G083512	2	SCREW HHTT M8-1.2 X 16 YC	
8	G052859	2	NUT TOP LOCK FL M10-1.50	
9	G022131	2	WASHER FLAT 3/8-M10 ZINC	
10	A0002257051	1	ST03 GENERATOR BOX RIGHT	
11	A0002257056	1	ST03 GENERATOR BOX REAR	
12	19351	1	SEAL, U-CHANNEL	
13	055934M	2	CLAMP STL/VNL .75 X .343 Z	
14	A0002257053	1	ST03 GENERATOR BOX LEFT	
15	24540	1	HOLDER, MANUAL (PLASTIC)	
16	A0001298691	1	LSA PMG 46.3 47.2	
--	A0002192947	1	DECAL VOLTAGE TOGGLE SWITCH (STD)	
--	A0002192944	1	DECAL VOLTAGE TOGGLE SWITCH (VLFEX)	
--	A0002352120	1	DECAL ISO ALTERNATOR LIFT	
--	A0002355992	1	DECAL ISO GENERATOR BACKFEED	
--	A0002355996	1	DECAL ISO SHUNT TRIP	

Note: Engine and generator parts used in all Generac Mobile Products, LLC equipment carry the Original Equipment Manufacturer (OEM) warranty unless otherwise stated. OEM warranty parts must be purchased through an OEM dealer. Please contact Generac Mobile Products, LLC with questions.

GENERATOR CONDUCTOR ASSEMBLY

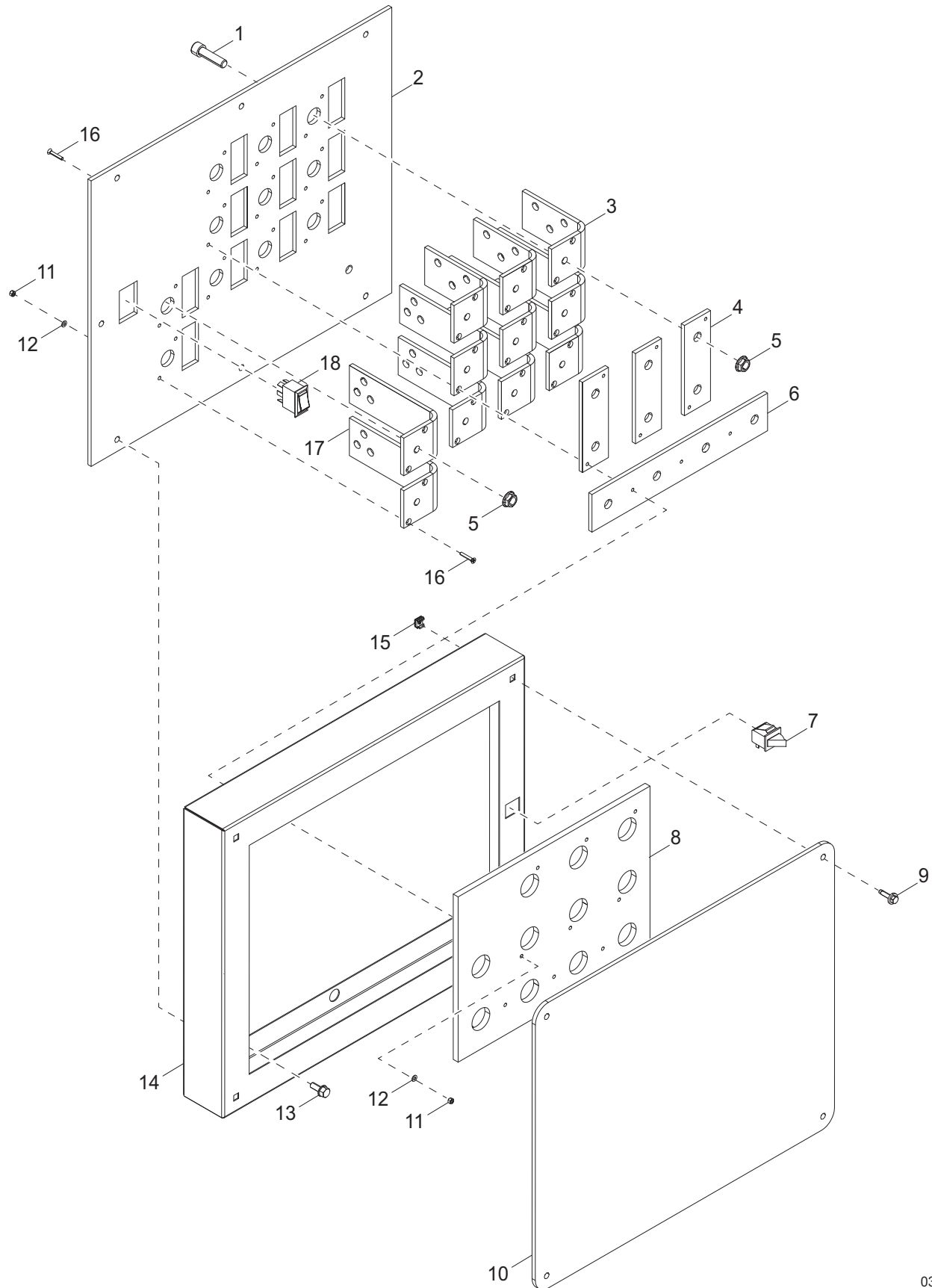


03943

GENERATOR CONDUCTOR ASSEMBLY

Item	Part No.	Qty	Description	Notes
1	0E5343	30	NUT HEX FL WHIZ M10-1.50	
2	10000022906	30	SCREW HHFC M10-1.5 X 30 C8.8	
3	G052859	6	NUT TOP LOCK FL M10-1.5	
4	A0002154037	3	CABLE LINKBOARD TO AC T1	
5	G049541	6	SCREW HHC M10-1.5 X 35 C8.8	
6	A0002154036	3	CABLE LINKBOARD TO AC T2	
7	A0002154038	3	CABLE LINKBOARD TO AC NTRL	
8	A0002154035	3	CABLE LINKBOARD TO AC T3	
9	A0002736452	2	ASSEMBLY, CABLE ALT TO LINKBOARD T	
10	A0003243446	2	ASSEMBLY, CABLE ALT TO LINKBOARD T2	
11	A0003243447	2	ASSEMBLY, CABLE ALT TO LINKBOARD T3	
12	A0003243452	2	ASSEMBLY, CABLE ALT TO LINKBOARD T9	
13	A0003243449	2	ASSEMBLY, CABLE ALT TO LINKBOARD T6	
14	A0003243448	2	ASSEMBLY, CABLE ALT TO LINKBOARD T5	
15	A0002736449	2	ASSEMBLY, CABLE ALT TO LINKBOARD T4	
16	A0003243450	2	ASSEMBLY, CABLE ALT TO LINKBOARD T8	
17	A0002736451	2	ASSEMBLY, CABLE ALT TO LINKBOARD T7	
18	A0002101593	1	BUS BAR, E SHAPED BRACKET	
19	A0002078297	1	BUS BAR VERTICAL GROUND	
20	A0002078294	1	BUS BAR GROUND	
21	A0001539348	1	BUS BAR NEUTRAL BOND	
--	A0002154039	1	CABLE LINKBOARD TO RECEPTACLE BOX T9	
--	A0002154040	1	CABLE LINKBOARD TO RECEPTACLE BOX T7	
--	A0002154041	1	CABLE LINKBOARD TO RECEPTACLE BOX L0	

LINK BOARD ASSEMBLY

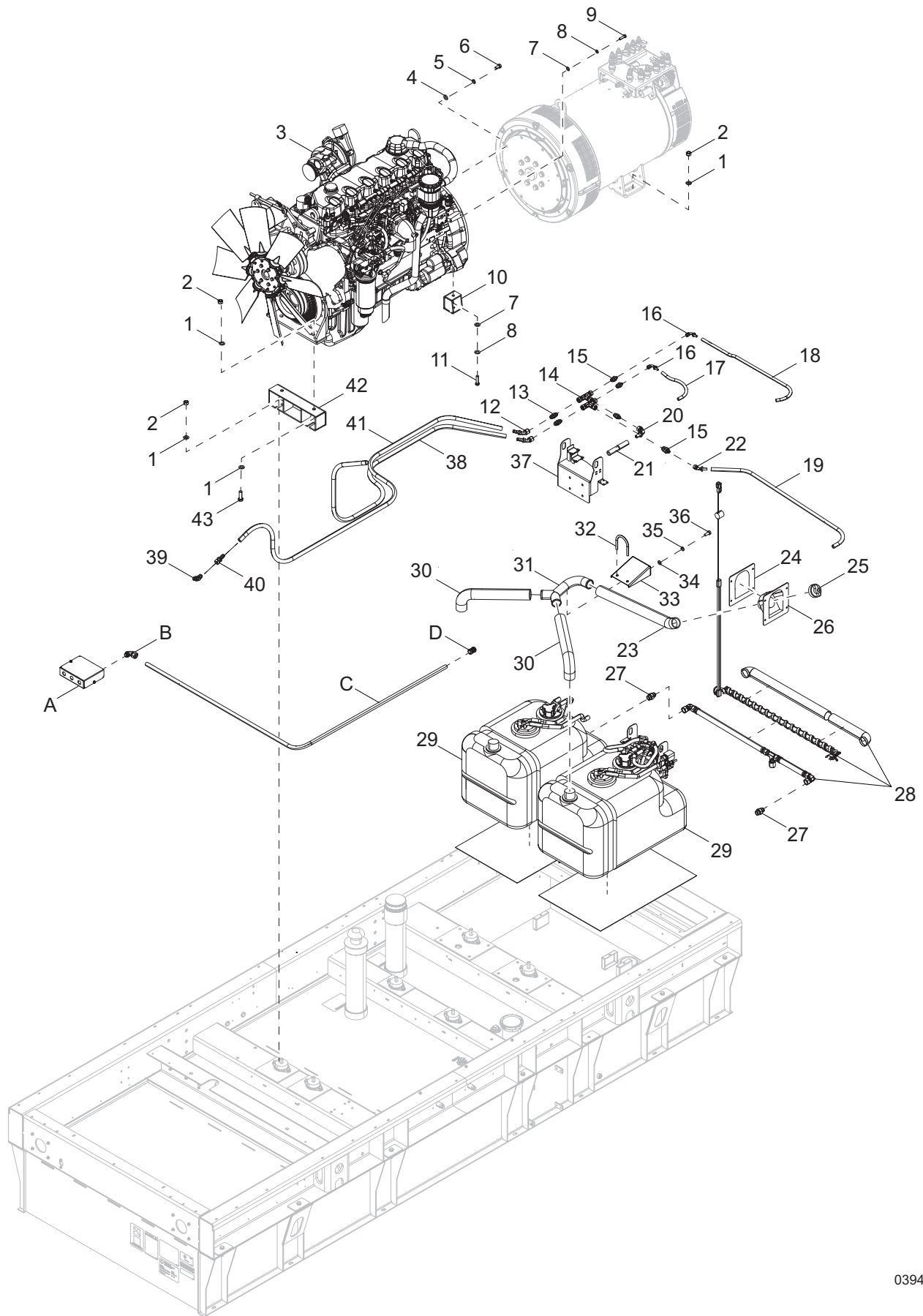


03737

LINK BOARD ASSEMBLY

Item	Part No.	Qty	Description	Notes
1	G059982	11	SCREW SHC M12-1.75 X 45 C12.9	
2	A0001539342	1	PANEL GLASTIC RECONNECT	
3	A0001539344	7	BUS RECONNECT UPPER	
4	51170	3	BUS,SHORTING BOARD,SHORT,625	
5	60148	11	NUT, M12-1.75 SFLG G8.8 ZC	
6	51169	1	BUS,SHORTING BOARD,LONG,625	
7	12632	1	SWITCH, TRIGGER SAFETY, N.O. & N.C.	
8	51168	1	SHORTING BOARD,625	
9	0C2454	4	SCREW HWHT M6-1 X 16 N WA Z/JS	
10	51712	1	PANEL, POLY WINDOW / COVER RECONNECT	
11	0E6480	22	NUT HEX LOCK M4-0.7 NY INS	
12	G043180	22	WASHER FLAT M4	
13	0G5445	4	SCREW HHTT M8-1.25 X 20	
14	A0001582048	1	ST03 PANEL RECONNECT FRONT	
15	A0001585413	4	CAGE NUT M6 0.635-1.6MM THICKNESS	
16	A0001589489	22	SCREW PFHM M4-0.7 X 25	
17	A0001539346	8	BUS RECONNECT LOWER	
18	68530	1	SWITCH, ROCKER, DPDT, ON/ON	
--	A0002192947	1	DECAL VOLTAGE TOGGLE SWITCH (STD)	
--	A0002192944	1	DECAL VOLTAGE TOGGLE SWITCH (VLFEX)	

ENGINE AND GENERATOR TO UNIT



03944

ENGINE AND GENERATOR TO UNIT

Item	Part No.	Qty	Description	Notes
1	0A1646	6	WASHER FLAT M16	
2	10000045417	6	NUT HEX NYLOCK M16-2.00 G10.9 ZINC	
3	A0001426530	1	ENGINE D9.3L (G22)	
4	G022250	12	WASHER FLAT 7/16 STEEL ZINC	
5	G022302	12	WASHER LOCK SPRING 7/16 ZC	
6	G036824	12	SCREW HHC 7/16-14 X 1-1/2 G5	
7	G022304	10	WASHER FLAT 1/2 STEEL ZINC	
8	G022195	10	WASHER LOCK SPRING 1/2 ZC	
9	G051008	10	SCREW HHC 1/2-13 X 1 G8	
10	A0002057952	2	ST03 ENGINE FOOT REAR SERIES 2 DIE	
11	0F2872	2	SCREW HHC 1/2-13 X 2" G8	
12	A0003302680	2	FITTING 45° 10 JICF X .625 BARB	
13	A0003302667	2	FITTING STRT 10 JICM X 10 JICM	
14	A0003302664	2	FITTING TEE 10 JICF SWIVEL	
15	A0003302675	4	FITTING STRT 10 JICM X 6 JICM	
16	A0003350382	2	FITTING 90° 6 JICF X .375 BARB	
17	A0001916886	1	HOSE .375 PUSH-LOK	
18	A0001916886	1	HOSE .375 PUSH-LOK	
19	A0001916886	1	HOSE .375 PUSH-LOK	
20	A0003302813	1	FITTING 90° 8 JICF X .5 BARB	
21	A0001732720	1	HOSE COOL 1/2IN ID 20R3	
22	A0003302815	1	FITTING 45° 6 JICF X .375 BARB	
23	(REF 1)	1	DEF FILL HOSE 1 SERIES 2	
24	A0002692502	1	MOBILE DIESEL PERKINS DEF FILL GASKET	
25	A0004733987	1	CAP-DEF	
26	A0004733986	1	ADAPTER-DEF-G22	
27	A0003302841	2	FITTING STRT 8 JICM X 8 ORBM EPDM SS	
28	A0003706708	1	HEAT TUBE 1/2" OD X 24.6" L 30W JIC FIT	
29	A0002063647	2	TANK-DEF W/ MAT	
30	A0002272279	2	DEF FILL HOSE 2 SERIES 2	
31	A0002272747	1	WELDMENT DEF FILL WYE MOBILE S2	
32	G080762	1	BOLT U 3/8-16 X 2.62	
33	A0003110495	1	ST03 DEF FILL SUPPORT BRACKET	
34	G049811	4	WASHER FLAT M6	
35	OJ7513	4	WASHER LOCK M6	
36	G047411	4	SCREW HHC M6-1.0 X 16 C8.8	
37	A0003239706	2	ST03 DEF TANK BRACKET MOBILE SERIES	
38	A0001198845	1	HOSE .625 PUSH LOCK	
39	A0002230921	1	FITTING 45°G 3/4-16 ORBM X 10 JICM	
40	A0001152827	1	FITTING STRT .625 BARB X 10 JICM	
41	A0001198845	1	HOSE .625 PUSH LOCK	
42	A0002058658	1	ST03 ENGINE FOOT FRONT SERIES 2 DI	
43	A0002195517	2	SCREW, HHC M16-2.0 X 50 C10.9	

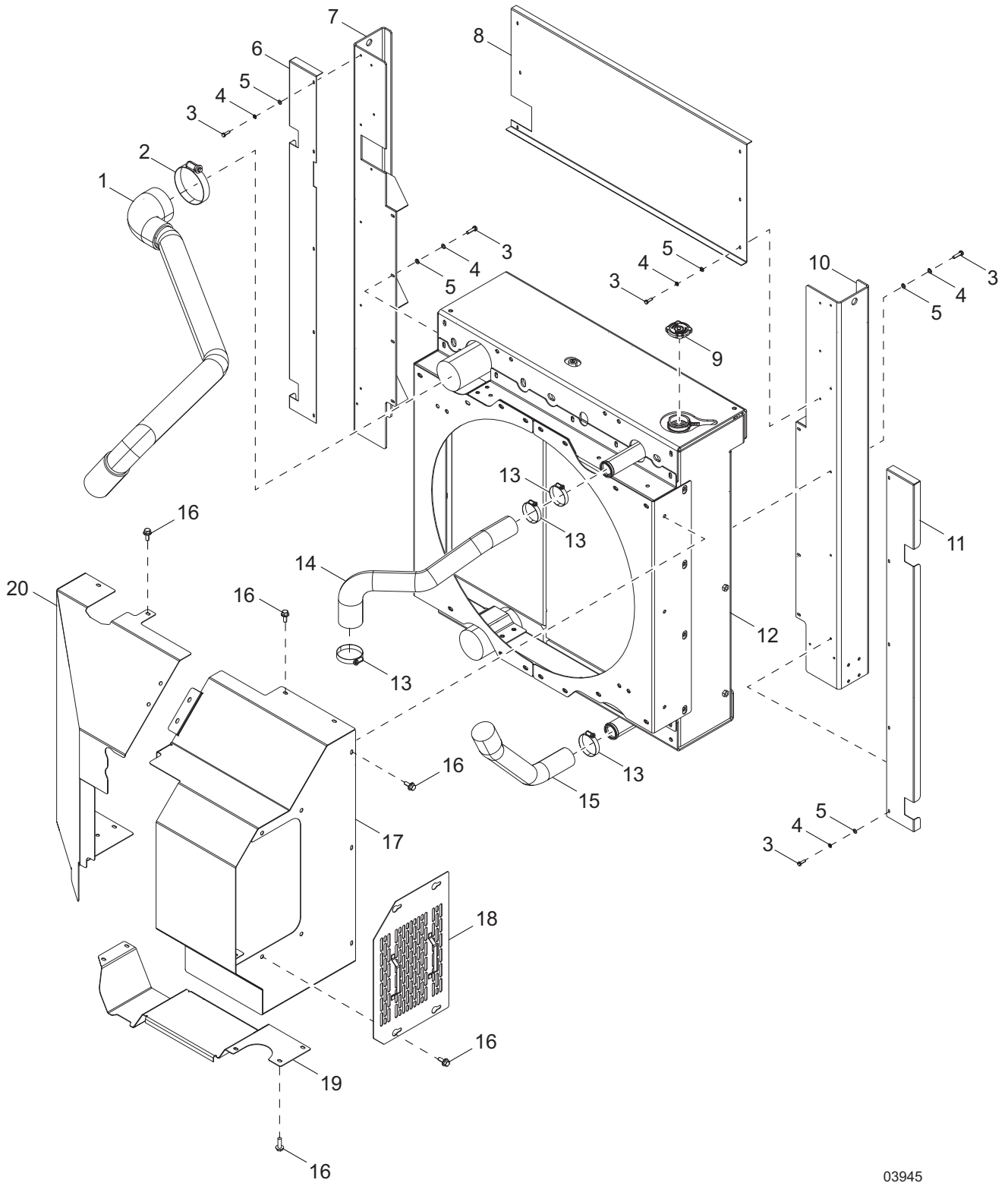
OPTIONAL FEATURES

SHORE POWER (if equipped):

A	A0002459812	1	BOX-JUNCTION-HEATER-SHORE
B	A0000510226	1	ELBOW 90° 1/2 MNPT X 1/2 LIQUID-TIGHT
C	MAC0136	1	FLEX SEALTITE 1/2 IN
D	MAC0380	1	CONNECTOR LT STEEL 1/2 IN STR

(1) See Generac Engine Manual p/n A0004415499

COOLING SYSTEM ASSEMBLY



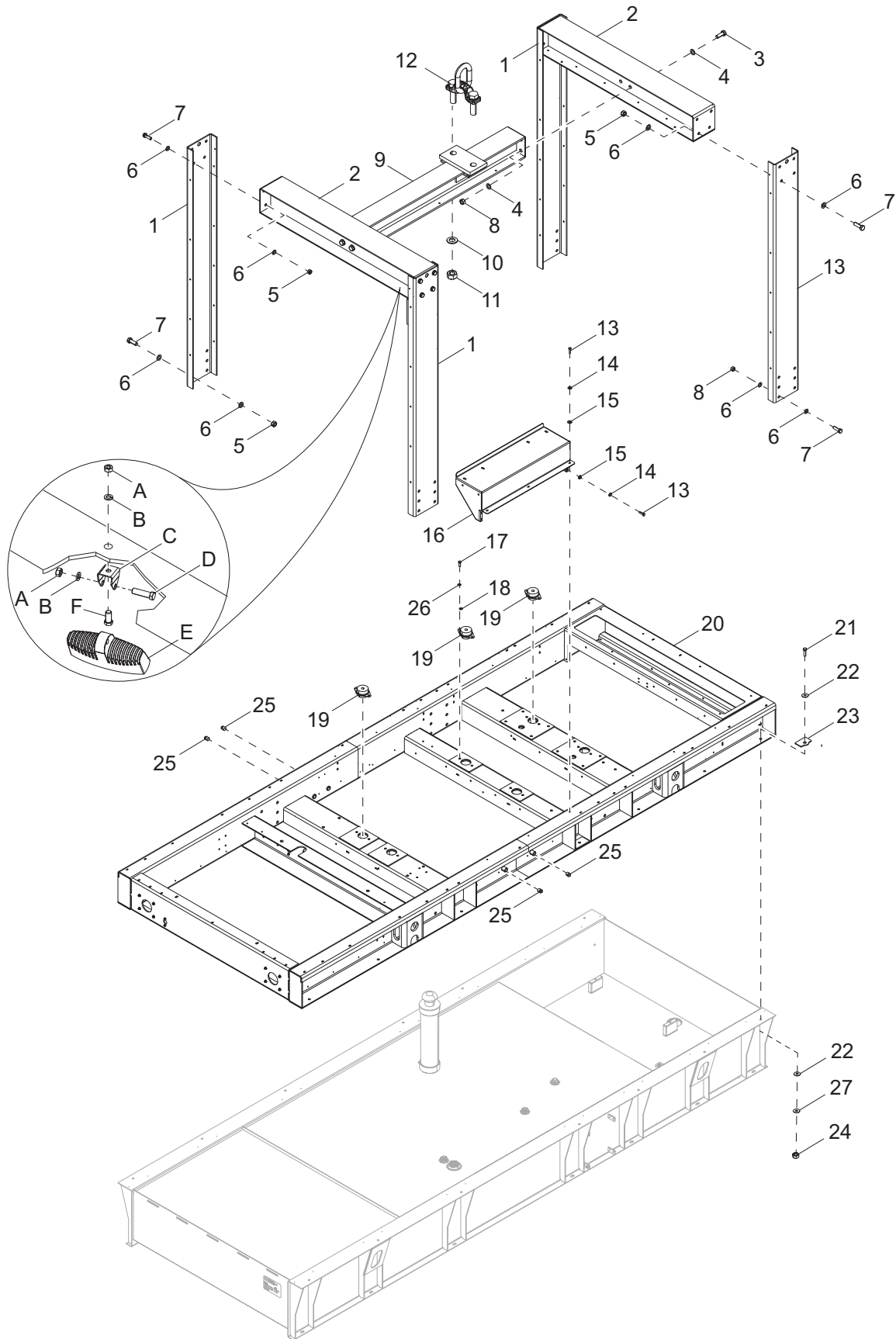
03945

COOLING SYSTEM ASSEMBLY

Item	Part No.	Qty	Description	Notes
1	REF (1)	1	HOSE	
2	REF (1)	2	CLAMP,	
3	G042568	28	SCREW HHC M6-1.0 X 20 C8.8	
4	OJ7513	28	WASHER LOCK M6 CLEAR ZINC	
5	G049811	28	WASHER FLAT M6	
6	A0002067973	1	ST03 RADIATOR BLOCKOFF LH	
7	A0002068144	1	ST03 WLDMNT RADIATOR SUPPORT LH	
8	A0002067985	1	ST03 RADIATOR BLOCKOFF UPPER	
9	REF (1)	1	CAP, RADIATOR	
10	A0002067998	1	ST03 WLDMNT RADIATOR SUPPORT RH	
11	A0002067888	1	ST03 RADIATOR BLOCKOFF RH	
12	REF (1)	1	ASSEMBLY, RADIATOR	
13	REF (1)	4	CLAMP	
14	REF (1)	1	HOSE, RADIATOR-UPPER	
15	REF (1)	1	HOSE, RADIATOR-LOWER	
16	REF (1)	20	SCREW,	
17	REF (1)	1	GUARD, FAN RH	
18	REF (1)	1	GUARD, FAN	
19	REF (1)	1	GUARD, FAN BOTTOM	
20	REF (1)	1	GUARD, FAN LH	
--	A0002197826	1	COOLANT LEVEL SWITCH, 1/4" NPTF	

Note: Engine and generator parts used in all Generac Mobile, equipment carry the Original Equipment Manufacturer (OEM) warranty unless otherwise stated. OEM warranty parts must be purchased through an OEM dealer. Please contact Generac Mobile Products, LLC with questions. (1) See Generac Engine Manual p/n A0004415499

LIFT STRUCTURE ASSEMBLY (1 OF 2)



03946

LIFT STRUCTURE ASSEMBLY (1 OF 2)

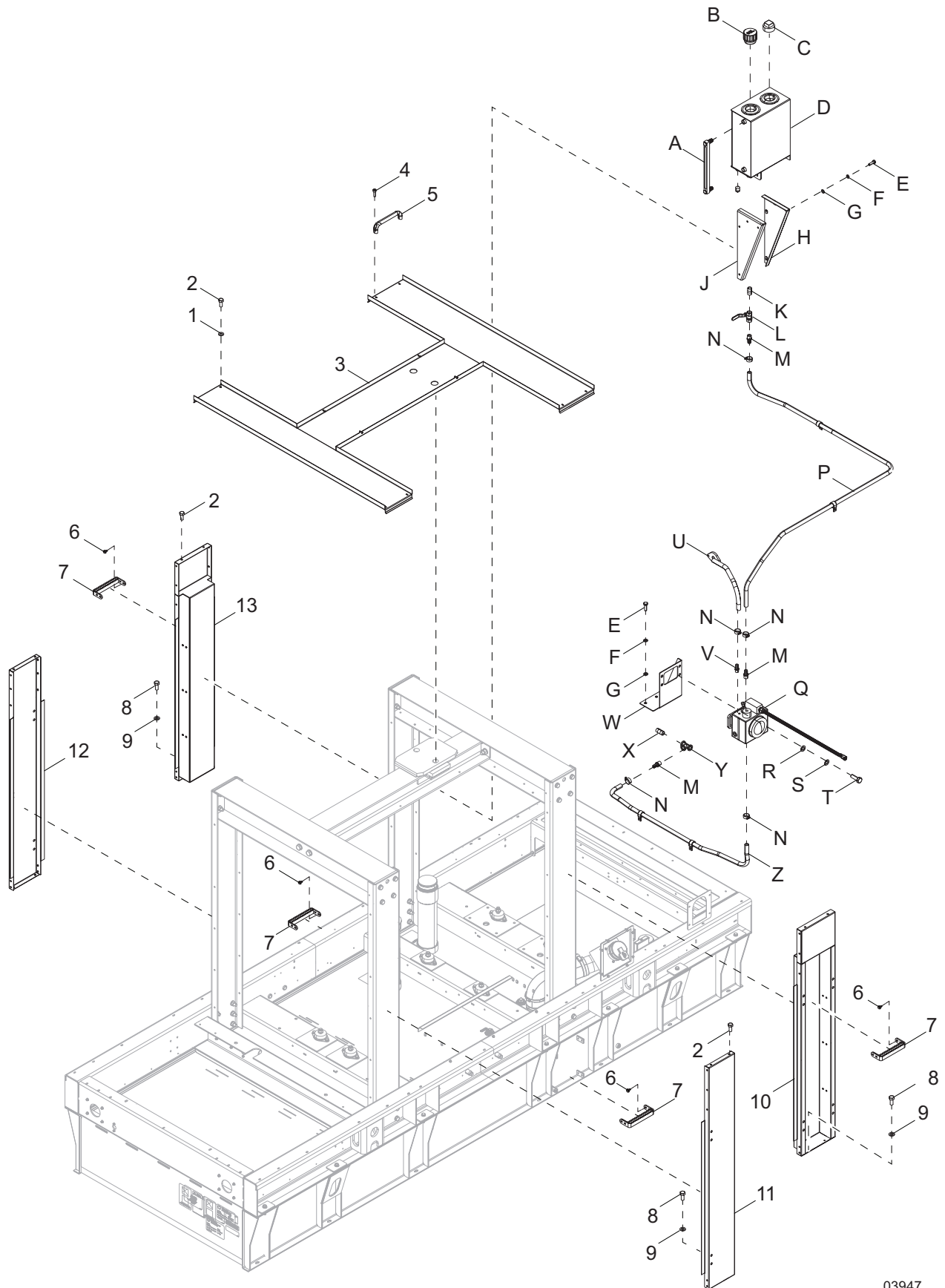
Item	Part No.	Qty	Description	Notes
1	A0002062822	4	ST03 POST SERIES 2	
2	A0002062817	2	ST03 WELDMENT CROSS MEMBER SERIES 2	
3	A0002195518	8	SCREW HHC M20-1.5 X 55 C10.9	
4	A0000276703	16	WASHER FLAT M20 YEL ZINC	
5	A0000336814	40	NUT HEX M18-2.5 G10	
6	0A1646	80	WASHER FLAT M18 YEL ZINC	
7	A0002195517	40	SCREW HHC M18-2.50 X 65 C10.9	
8	A0000276701	8	NUT HEX M20-2.5 C10 YEL ZINC	
9	A0002062810	1	ST03 WELDMENT BEAM MAIN SERIES 2	
10	A0001376613	2	WASHER FLAT M36 YEL ZINC	
11	A0000985744	2	NUT HEX M36-4.0 G10	
12	A0000964523	1	LIFTING EYE - 16 TON	
13	G048107	7	SCREW HHC M6-1.0 X 25 C10.9	
14	0J7513	7	WASHER LOCK M6 BLACK ZINC	
15	G049811	7	WASHER FLAT M6	
16	A0001463352	1	ST03 WELDMENT, BATTERY TRAY	
17	G059981	12	SCREW HHC M10-1.5 X 30 C10.9	
18	G070264	12	WASHER FLAT M10	
19	RM1088A24	6	VIBRO-MNT, SNUB, 840#/1.14", BLU	
20	A0001784741	1	ST03 WLDMNT SERIES 2 ENCLOSED SET	
21	G053607	14	SCREW HHC M12-1.75 X 35 C8.8	
22	G049808	28	WASHER FLAT M12	
23	A0002106525	14	ST03 PLATE MOUNT HOLE REINFORCE SERIES 2	
24	A0000336813	14	NUT HEX M12-1.75 G10 CLEAR ZINC	
25	G024310	4	PLUG STD PIPE 1/2 STEEL SQ HD	
26	G046526	12	WASHER LOCK M10	
27	G051769	14	WASHER LOCK M12	

OPTIONAL FEATURES

INTERIOR LIGHT KIT (if equipped)

A	G070004	8	NUT HEX M8-1.25 G8 SS	
B	G070006	8	WASHER LOCK M8 SS	
C	-	4	BRACKET LED LIGHT 6" OVAL	
D	G070010	4	SCREW HHC M8-1.25 X 35 SS FTH	
E	-	4	LIGHT LED 6" OVAL 15W HVY DTY	
F	0A6928	4	SCREW HHC M8-1.25 X 20 SS	
--	0L0170	1	LIGHT LED 6 OVAL 15W HVY DTY	Items A-F
--	A0001832525	1	HARN INT LED LIGHTING MOBILE	

LIFT STRUCTURE ASSEMBLY (2 OF 2)



03947

LIFT STRUCTURE ASSEMBLY(2 OF 2)

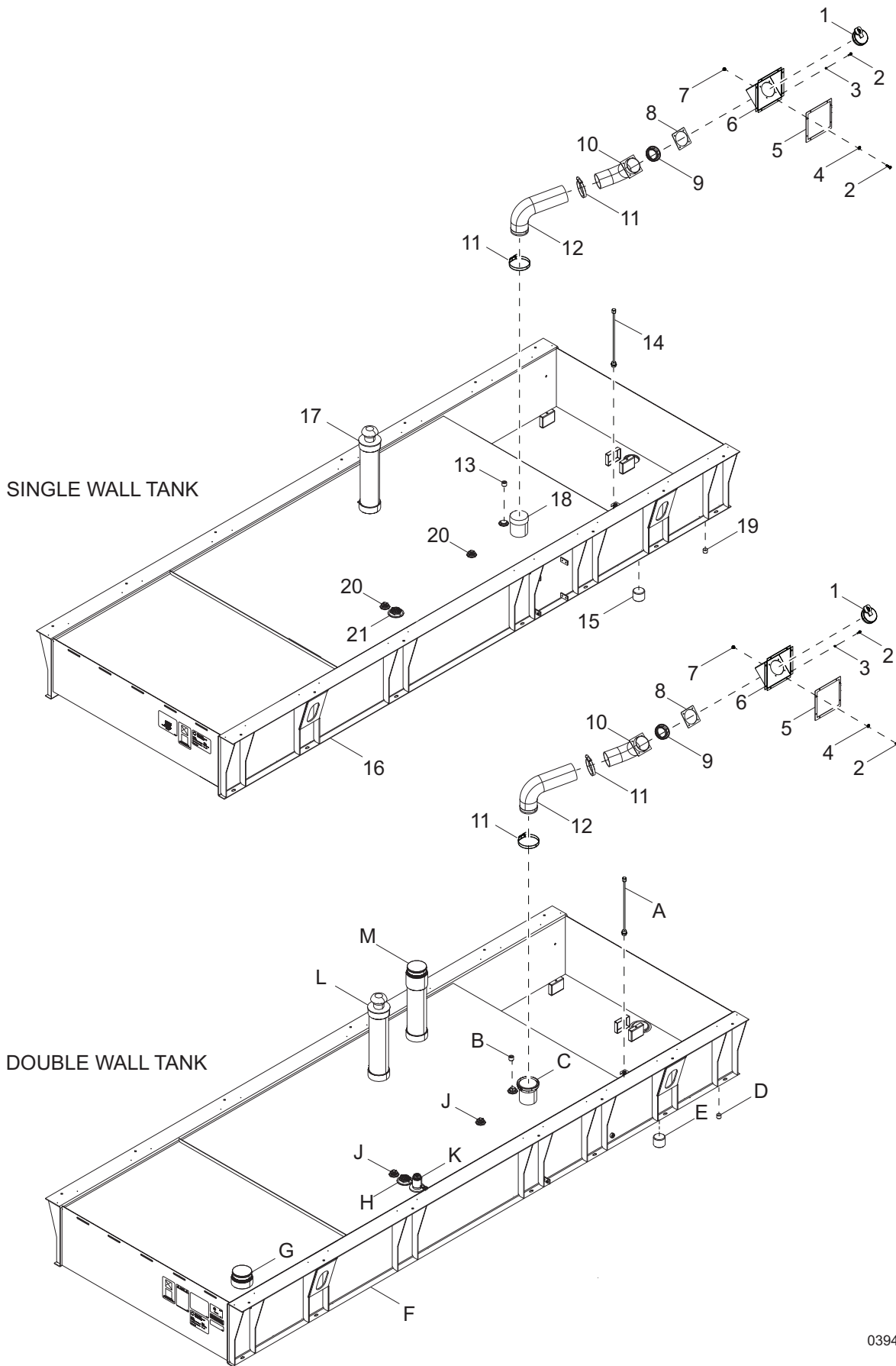
Item	Part No.	Qty	Description	Notes
1	HW1053A00	12	WASHER, BONDED SEALING, GALV	
2	OK8641	12	SCREW HHFC M6-1.0 X 20 NYL WA	
3	A0002424892	1	ST03 WELDMNT ROOF GUTTER SERIES	
4	G097962	4	SCREW SHC M6-1.0 X 25 C12.9 ZP	
5	A0001048640	2	PULL HANDLE ALUM 8.25" LG	
6	OC2454	40	SCREW HWHT M6-1 X 16 N WA Z/JS	
7	A0001558868	8	ST03 WLDMNT RUNG LIFT STRUCTURE	
8	G042568	8	SCREW HHC M6-1.0 X 20 C8.8	
9	G049811	10	WASHER FLAT M6	
10	A0002424879	1	ST03 LADDER RUNG PANEL LIFT STRUCTURE LH	
11	A0002424841	1	ST03 ENCL SIDE UPRIGHT MID LH SERIES	
12	A0002424838	1	ST03 ENCL SIDE UPRIGHT MID RH SERIE	
13	A0002424876	1	ST03 LADDER RUNG PANEL LIFT STRUCTURE	

OPTIONAL FEATURES

OIL MAKE-UP KIT (if equipped)

A	A0002005164	1	SIGHT GLASS
B	61227	1	CAP OIL TANK VENT - 2.00 NPT
C	G028619	1	PLUG PIPE 2" SQ HD ZINC
D	A0002460133	1	ST03 WELDMNT TAN
E	G042568	10	SCREW HHC M6-1.0 X 20 C8.8
F	OJ7513	10	WASHER LOCK M6 CLEAR ZINC
G	G049811	10	WASHER FLAT M6
H	A0002492479	1	ST03 OIL TANK SUPPORT BRACKET R
J	A0002492477	1	ST03 OIL TANK SUPPORT BRACKET L
K	G026795	1	NIPPLE PIPE 1/2NPT X 1-1/2
L	OG5212A	1	VALVE 1/2"
M	044118A	2	BARBED STR 1/2NPT X 5/8 W/V/S
N	G057823	4	CLAMP HOSE #10 .56-1.06
P	G065386	1	HOSE 1H018-10 AQP 5/8(96"LG)
Q	A0000676889	1	ASSY, OIL LEVEL CONTROLLER
R	G070264	4	WASHER FLAT M10
S	G046526	4	WASHER LOCK M10
T	G042911	4	SCREW HHC M10-1.5 X 30 C8.8
U	G065386	1	HOSE 1H018-10 AQP 5/8(12"LG)
V	G044117	1	BARBED STR 3/8NPT X 5/8
W	A0003728674	1	ST03 OIL FLOAT SWITCH BRACKET MD
X	G031105	1	NIPPLE PIPE 1/2NPT X 1-3/4
Y	HW4046C72	1	TEE, BLK, .50" NPT, YZ COATED
Z	G065386	1	HOSE 1H018-10 AQP 5/8(48"LG)

TANK ASSEMBLY



03948

TANK ASSEMBLY

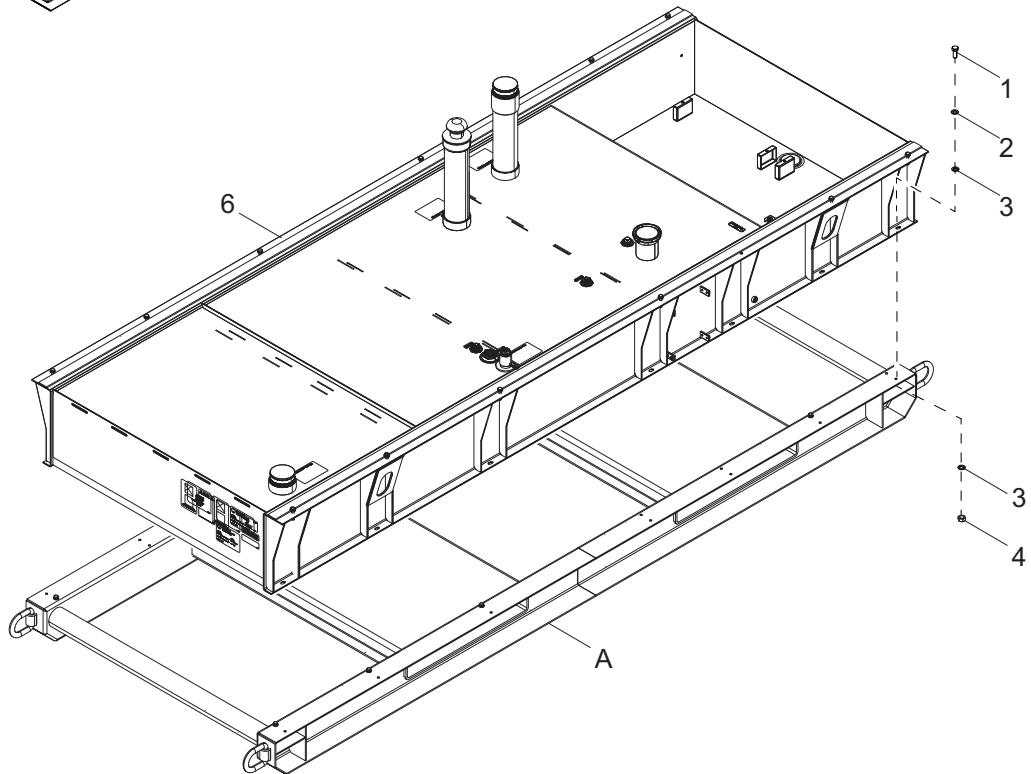
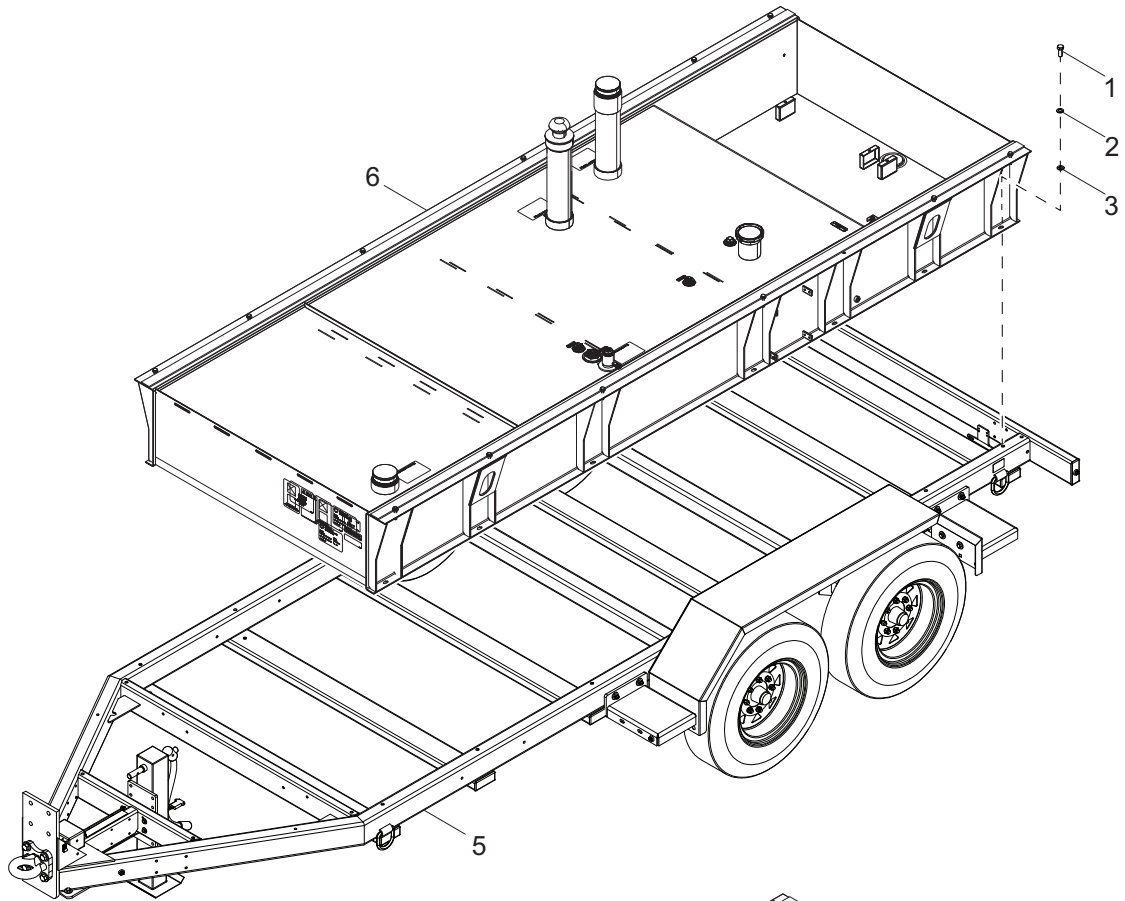
Item	Part No.	Qty	Description	Notes
1	55104	1	CAP, FUEL FILL - 3.50 GRN	
2	61180	12	SCREW PPH 10-32 X .750 18-8 SS	
3	60067	12	WASHER, #10 FLAT .435/.060 18-8 SS	
4	61222	8	WASHER, #10 SEALING	
5	A0004585189	1	GASKET, DIESEL FILL HOUSING	
6	23697B	1	PANEL FUEL INLET - BLACK	
7	60061	4	NUT, 10-32 NYLK ZC	
8	A0002690658	1	GASKET, DIESEL FILL NECK	
9	23830	1	INSERT, PLASTIC FUEL 3.5 IN	
10	A0002439175	1	ST03 WELDMENT SERIES 2 DIESEL FUEL NECK	
11	19842	2	CLAMP, HOSE - SAE 072 (4.06-5.00)	
12	A0002364917	1	FUEL HOSE MDE330	
13	A0003763275	1	PLUG-AUX FILL STEEL 1.0"	
14	A0004915830	1	SWITCH-DEF BASIN-TOP MOUNT	
15	A0004915832	1	PLUG-DEF DRAIN STEEL 3.0"	
16	A0001618759	1	SINGLE WALL MOBILE 381 GAL TANK	Incl. items 13, 14, 15, 17, 18, 19, 20, 21
17	A0003763272	1	VENT, TANK 2.0"	
18	A0003763276	1	TUBE, 3.50"	
19	A0004915815	1	1/2" DEF DRAIN	
20	A0004915813	2	1/2" NPT FUEL DIPTUBES, 1" FROM PRIMARY FLR	
21	A0004915814	1	FUEL SENDER	

OPTIONAL FEATURES

DOUBLE WALL TANK (if equipped):

A	A0004915830	1	SWITCH-DEF BASIN-TOP MOUNT	
B	A0003763275	1	PLUG-AUX FILL STEEL 1.0"	
C	A0003763276	1	TUBE, 3.50"	
D	A0004915815	1	1/2" DEF DRAIN	
E	A0004915832	1	PLUG-DEF DRAIN STEEL 3.0"	
F	A0001541241	1	DOUBLE WALL MOBILE 382 GAL TANK	Incl. items A, B, C, D, E, H, J, K, L, M
G	A0004915828	1	4" UL CERTIFIED SECONDARY E-VENT	
H	A0004915829	1	FUEL SENDER, SWING ARM, 240-30 OHM	
J	A0004915817	2	1/2" NPT FUEL DIPTUBES, 1" FROM PRIMARY FLR	
K	A0004915820	1	SWITCH, TOP MOUNT RUPTURE BASIN	
L	A0003763272	1	2" NPT NORMAL VENT W/ SPILL PREVENTION	
M	A0004915828	1	4" UL CERTIFIED PRIMARY E-VENT W/ EXT	

TANK TO TRAILER OR SKID ASSEMBLY



04005

TANK TO TRAILER OR SKID ASSEMBLY

Item	Part No.	Qty	Description	Notes
1	G053607	14	SCREW HHC M12-1.75 X 35 C8.8	
2	G051769	14	WASHER LOCK M12	
3	G049808	28	WASHER FLAT M12	Qty 14 w/trailer
4	0D7119	14	NUT HEX LOCK M12-1.75 NY INS	
5	A0001732712	1	SERIES 2 TRAILER ELEC BRAKES UA	
--	A0005060223	1	SERIES 2 TRAILER ELEC BRAKES KAR	
--	A0001732705	1	SERIES 2 TRAILER HYDRAULIC BRAKES UA	
--	A0005268381		SERIES 2 TRAILER HYDRAULIC BRAKES KAR	
6	A0001618759	1	SINGLE WALL MOBILE 381 GAL TANK	

OPTIONAL FEATURES

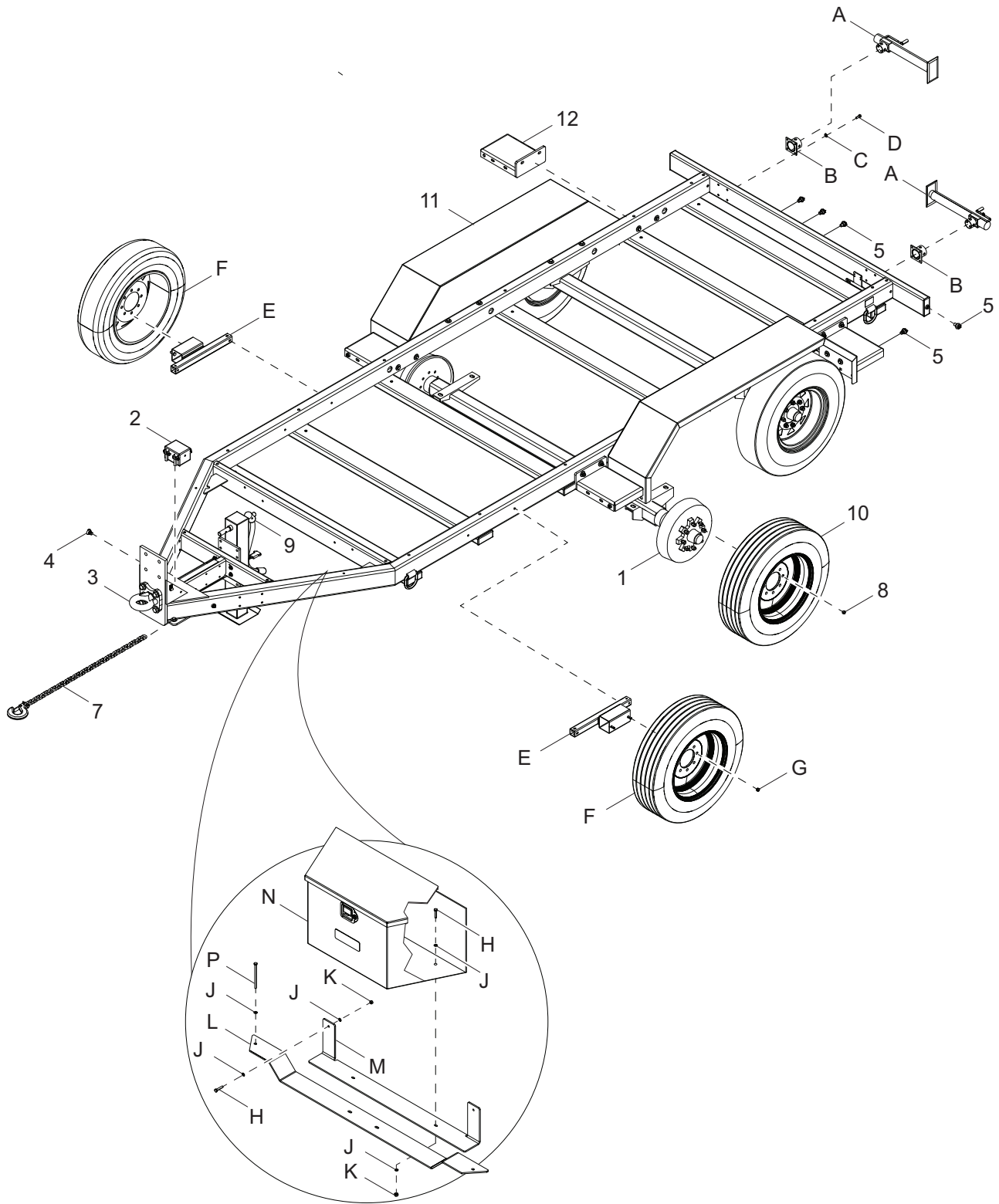
SKID ASSEMBLY (if equipped):

A A0003235668 1 ST03 WELDED MOBILE SKID SERIES 2

DOUBLE WALL TANK ASSEMBLY (if equipped):

-- A0001541241 1 DOUBLE WALL MOBILE 382 GAL TANK

TRAILER OPTIONS



04004

TRAILER OPTIONS

Item	Part No.	Qty	Description	Notes
1	A0005495832	2	AXLE, TORSION W/EB HUB 10000# -65	ELEC BRAKES
--	A0005564705	2	AXLE, TORSION W/HB HUB 10000# -65	HYDR BRAKES
2	A0005495833	1	BREAK AWAY SWITCH & CABLE	ELEC BRAKES
3	A0005495838	1	PINTLE HITCH 66,000#	
4	A0005495840	4	LIGHT CLEARANCE W/6" LEAD & PLUG (LED) A	AMBER
5	A0005495841	7	LIGHT CLEARANCE W/6" LEAD & PLUG (LED) R	RED
6	A0005495842	1	LIGHT CLEARANCE W/6" LEAD & PLUG (LED) C	CLEAR
7	A0005495843	2	SAFETY CHAIN & HOOK 31" G70 26, 400# CAP	
8	A0005495845	24	LUG NUT 9/16" - 18	
9	A0005495846	1	TONGUE JACK 12,000 LB (SIDE WIND)	
10	A0005495847	4	TIRE, 215/75R17.5 8H-BL 4805# CAP	
11	A0005495849	2	WELDMENT, FENDER	
12	A0005495851	4	FENDER STEP WELD F/R	
--	A0005495854	1	WIRE HARNESS TAIL & ID ASSY (FG) SNOW	

STABILIZER KIT (if equipped):

A	41133	2	JACK, SIDE WIND - 2000 LB TUBE MOUNT
B	11965B	2	WELDMENT, JACK ADAPTER - BLACK
C	60151	8	WASHER, .375 FLAT .810/.060 ZY HARDENED
D	60205	8	SCREW, .375-16X1.000 STD HEX G5 ZC

SPARE TIRE KIT (if equipped):

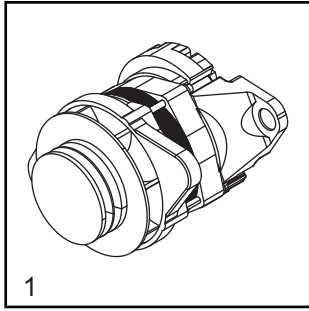
E	A0001768162	2	ST03 WLDMNT SP TIRE MNT
F	A0001625396	2	WHEEL ST215/75R17.5 4805 LB M 81MPH BLK
G	61056	12	NUT, .625-18 LUG 90° G5 ZC WHEEL
--	0E2808	4	SCREW HHC M10-1.5 X 160 C8.8
--	G074008	4	WASHER LOCK M10
--	G070264	8	WASHER FLAT M10
--	G045772	4	NUT HEX M10-1.5 G8

TOOL BOX (if equipped)

H	G042909	8	SCREW HHC M8-1.25 X 30 C8.8
J	A0000860746	20	WASHER FLAT M8 8.4 ID X 24 OD
K	G049820	10	NUT HEX LOCK M8-1.25 NY INS
L	A0001404251	1	ST03 BRKT REAR STORAGE BOX MNT SERIES 3
M	A0005304867	1	ST03 BRKT FRNT STORAGE BOX MNT SERIES
N	10000025915	1	TOOLBOX (ALUM)
P	G081953	2	SCREW HHC M8-1.25 X 150 C8.8

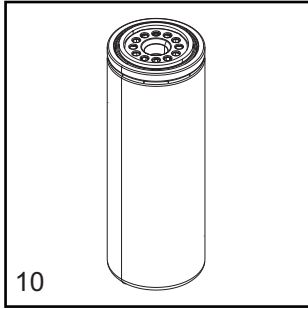
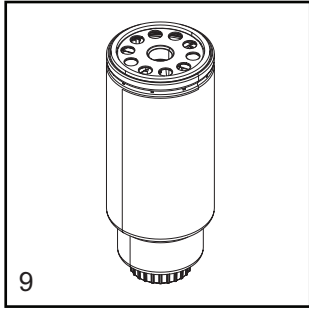
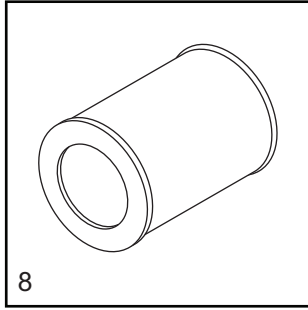
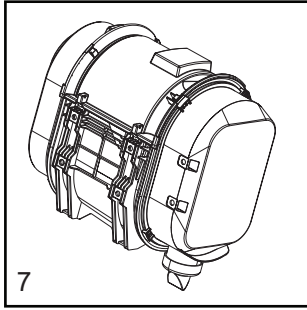
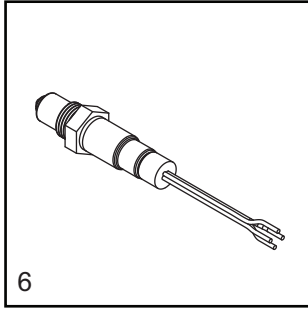
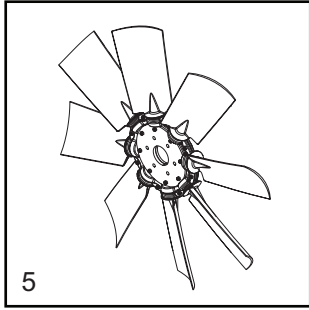
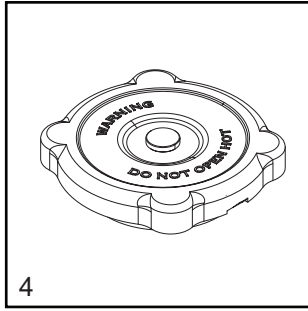
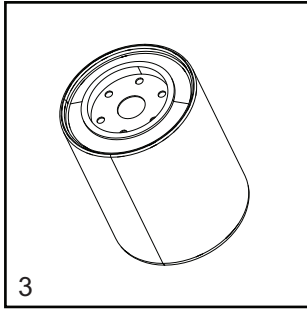
Note: Trailer parts used in all Generac Mobile Products, LLC equipment carry the Original Equipment Manufacturer (OEM) warranty unless otherwise stated. OEM warranty parts must be purchased through an OEM dealer. Please contact Generac Mobile Products, LLC with questions.

RECOMMENDED SPARE PARTS - ENGINE AND SERVICE KITS



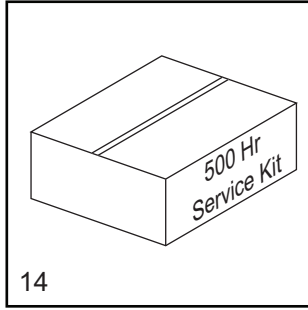
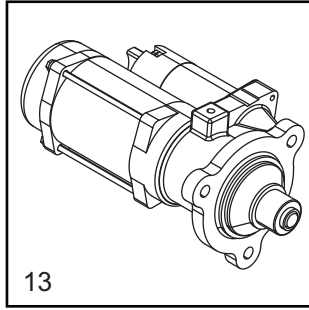
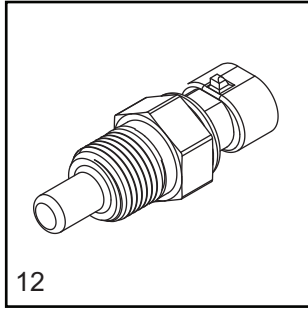
Artwork
Not Available

2



Artwork
Not Available

11



RECOMMENDED SPARE PARTS - ENGINE AND SERVICE KITS

ENGINE

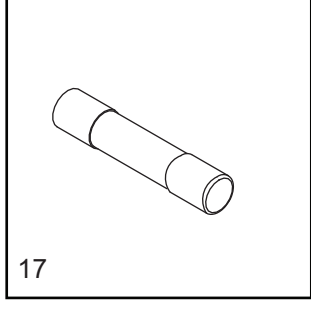
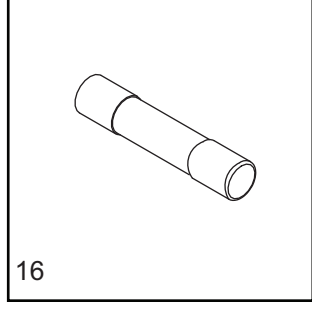
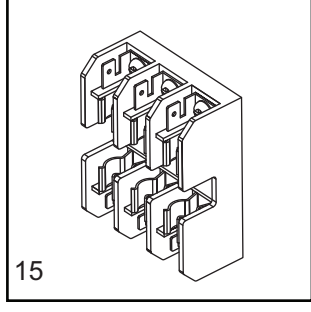
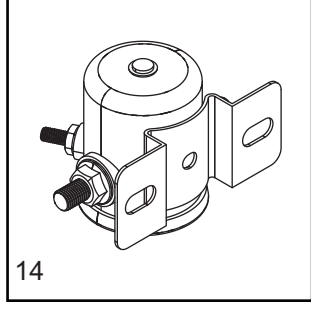
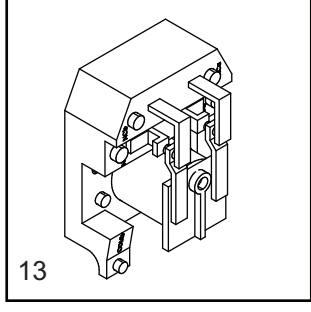
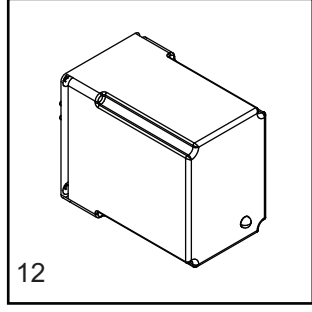
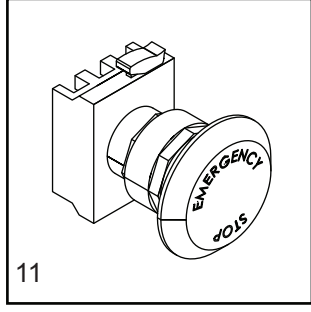
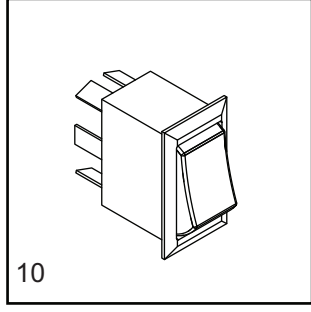
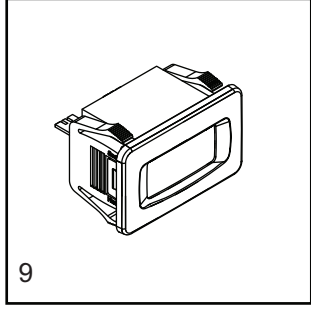
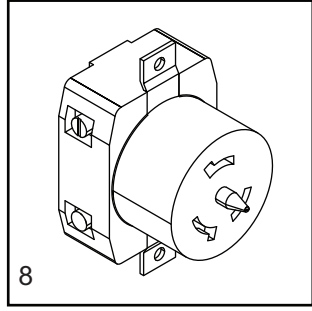
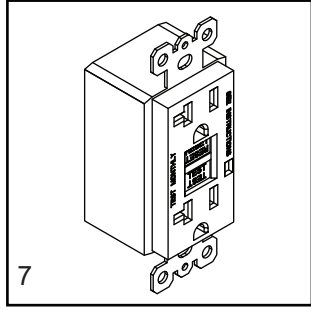
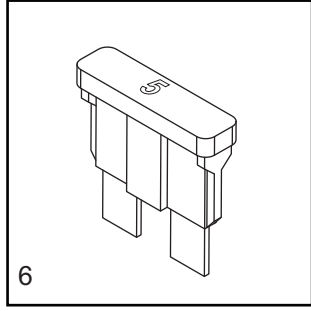
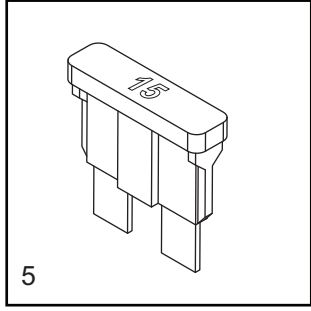
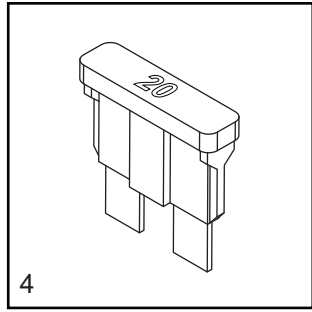
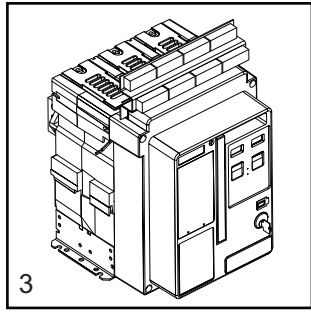
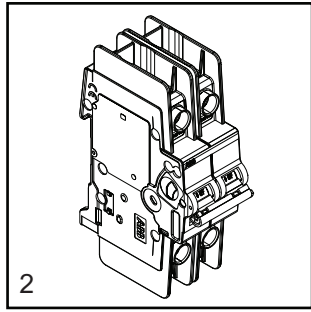
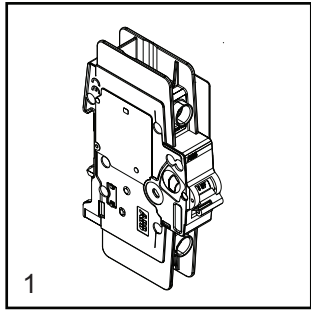
1. ALTERNATOR, ENGINE	A0004436188
2. BELT-WATER PUMP	A0001784477
3. FILTER, OIL.....	A0000221859
4. RADIATOR CAP	REF (1)
5. ENGINE FAN.....	A0004436190
6. SENSOR - NOX G22.....	REF (1)
SENSOR - NOX OUT G22	REF (1)
7. ASSY-AIR FILTER-G22	A0003081278
8. ELEMENT, AIR FILTER	A0004734309
9. FILTER, FUEL - G22	A0001784470
10. FILTER-PRE FUEL-G22.....	A0001784472
11. FAN BELT-ALTERNATOR-G22.....	A0004416531
12. SENSOR, LOW COOLANT.....	A0002197826
13. STARTER	A0002097786

SERVICE KITS

14. 500 HOUR KIT.....	A0004415513
(1) FILTER-OIL-G22 - A0000221859, (1) FILTER-PRE FUEL-G22 - A0001784472,	
(1) FILTER-FUEL-G22 - A0001784470, (1) FILTER-AIR-MAIN-G22 - A0004734309,	
(1) BELT-WATER PUMP- A0001784477, (2) FAN BELT-ALTERNATOR-G22	
A00044116531	

(1) See Generac Engine Manual p/n A0004415499

RECOMMENDED SPARE PARTS - ELECTRICAL



03953

RECOMMENDED SPARE PARTS - ELECTRICAL

ELECTRICAL

1. BREAKER 20A SINGLE POLE	A0002863000
2. BREAKER 50A 2 POLE.....	A0002863007
3. 1000A NON-MOTORIZED BREAKER.....	A0001904833
1000A MOTORIZED BREAKER.....	A0001904834
4. FUSE ATO TYPE 20 AMP (YELLOW).....	0E7403D
5. FUSE ATO TYPE 15 AMP (BLUE).....	0E7403C
6. FUSE ATO TYPE 5 AMP (TAN).....	0E7403A
7. RECEPTACLE, 125V/20A GFI	0F6207
8. RECEPTACLE, 240V/50A TWIST LOCK	18089
9. METER, HOUR	36886
10. SWITCH, ROCKER, DPDT, ON/ON	68530
11. SWITCH, E-STOP ASSEMBLY.....	65470
12. RELAY, VOLTAGE SENSING (132IN 126OUT)	66340
13. RELAY, 30A DPDT 120VAC POWER.....	65461
14. RELAY CONTACTOR 24VDC	G082982
15. FUSEBLOCK 30A 600V 3POS W/SQ	0D2572
16. FUSE, 10 AMP.....	FU0066A04
17. FUSE, 5 AMP.....	FU0066A00

Note: To order replacement controller, contact Generac Mobile Products with unit serial number.

Part No. A0001531048 Rev. C 02/20/2024

©2024 Generac Power Systems, Inc.
All rights reserved.
Specifications are subject to change without notice.
No reproduction allowed in any form without prior written consent
from Generac Power Systems, Inc.

GENERAC | **MOBILE**

Generac Power Systems, Inc.
S45 W29290 Hwy. 59, Waukesha WI 53189
[GeneracMobileProducts.com](https://www.GeneracMobileProducts.com) | 844-ASK-GNRC | 844-275-4672