

HEATER SYSTEM

Burner

- Riello RL38/2 dual stage diesel fuel burner
 - High Fire: 6.4 to 12.2 gph (24.23 to 46.18 Lph)
 - Low Fire: 3.2 to 6.4 gph (12.11 to 24.23 Lph)
 - Heat produced: 1,200,000 BTU/hr (352 kW/hr)
- Temperature range: 120–180 °F (48.9–82.2 °C)

Fan

- Air duct: One 20 in (50.8 cm) diameter
- Efficiency: 85%
- Fan motor: TECO 7.5 hp @ 1,800 rpm
- Fan wheel: BC-SW 222 CL II
- Fan performance:
 - 6,500 ft³/m (184.06 m³/min)
 - 5.5 in WG (1.37 kPa) static pressure

Heat Exchanger

- Very large 158 ft² surface area
- Dual pass design
- Large combustion air passages to reduce cleaning
- Stainless Steel construction

Safety

- Burner fire eye – shuts off fuel pump if no flame is present in burner
- Air differential switch – shuts off burner if no air flow is present
- High Limit Switch – shuts off burner if air temperature exceeds 200 °F (90 °C)

FUEL SYSTEM

- Fuel tank capacity—gal (L):
 - Total: 269 (1020)
 - Usable: 265 (1004)
- Fuel consumption rate (engine + burner): 8.25 gph (32.2 Lph)
- Minimum run time: 31.2 hr
- Fuel filter: Two Spin-on; one for engine and one for burner

GENERATOR

Engine

- Isuzu® 3CE1-UGZG1 3 cylinder
- Diesel fueled
- EPA Final Tier 4
- Naturally aspirated
- 97.6 in³ (1.6 L) displacement



Picture shown may not reflect actual configuration.

- Power @ 1,800 rpm: 21.1 hp (15.7 kW)
- Air filter: dry type cartridge
- Engine Coolant Heater 110V

Cooling System

- Liquid cooled
- Coolant capacity: 2.1 qt (2.0 L)
- Capable of operating at -40 to 100 °F (-40 to 37.8 °C) ambient – not considering derate factors

Lubrication System

- Oil capacity: 7.1 qt (6.7 L)
- 250-hr service interval*

*For maximum service interval, replace oil filter after 50-hr break-in period. For oil filter model number, see parts manual.

Battery

- One GRP24 12V, 720 CCA, wet cell battery

Alternator

- Marathon® 282CSL1504
- 13.5 kW 208V 3-Phase
- 20 Amp 110V external outlet

CONTROLS

- LOFA® MC704 engine control panel
- Pushbutton start fan control
- Programmable thermostat
- Wiring harness with circuit breakers: 20-amp outlet breaker, 20-amp burner breaker

ENCLOSURE

- Material: Steel with white durable Polyester 5 stage powder coat
- Construction: Sectional roof and side panels are replaceable
- Lockable control box door and service access doors
- Rear internal storage for air ducts
- Operating and safety decals
- Document holder with owner's manual and wiring diagrams

TRAILER

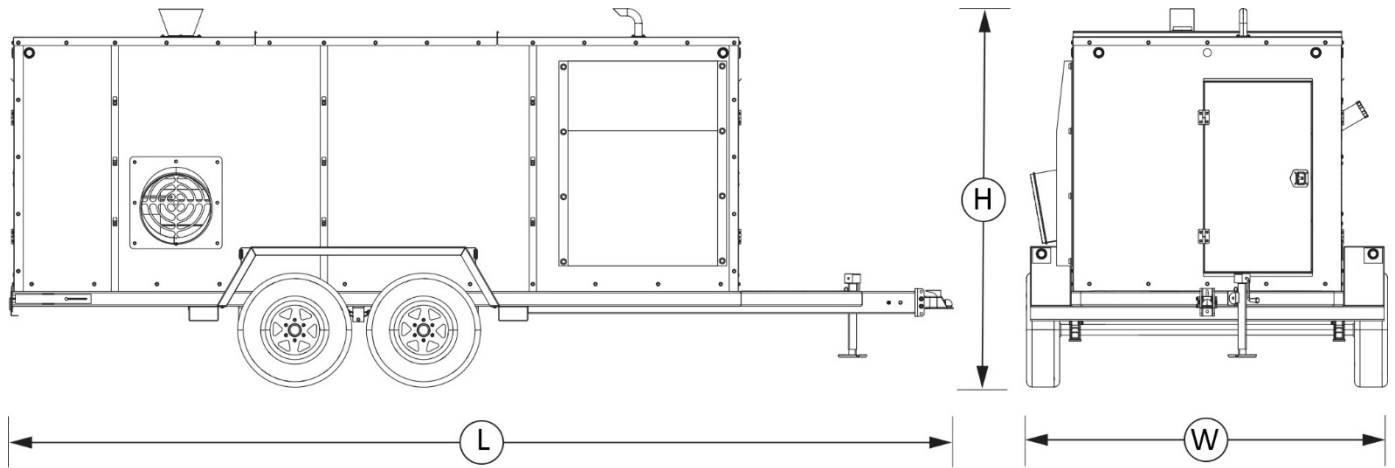
- 2-5/16 in ball hitch — adjustable height
- Tongue jack and transportation tie downs
- Electric brakes
- Forklift tubes: integrated forklift tubes extend to fenders to prevent forklift damage
- DOT and TC approved lights: Tail, brakes, and directionals
- Two 6,000 lb. (2,721.6 kg) axles with 235 80/R16 10 ply load range E tires

OPTIONS*

- Spare tire and carrier
- Rear stabilizer jacks
- 2-5/16 in BULLDOG® hitch – adjustable height
- 3 in Pintle ring – adjustable
- Fuel filter heaters

*Additional options may be available. Contact a sales representative or the factory for current options.

DIMENSIONS



L	W	H
254 in (6.45 m)	103 in (2.62 m)	90.0 in (2.29 m)

WEIGHT

- Dry: 7,780 lb (3,529 kg)
- Operating: 9,630 lb (4,368 kg)

WARRANTY

1 year, unlimited hours

CODES AND STANDARDS

Generac Mobile products are designed to the following standards:



TIER 4 FINAL
EMISSIONS



NATM



TRANSPORT CANADA

FOR MORE INFORMATION

Owner's manual is available at www.generacmobileproducts.com/service-support/manuals.