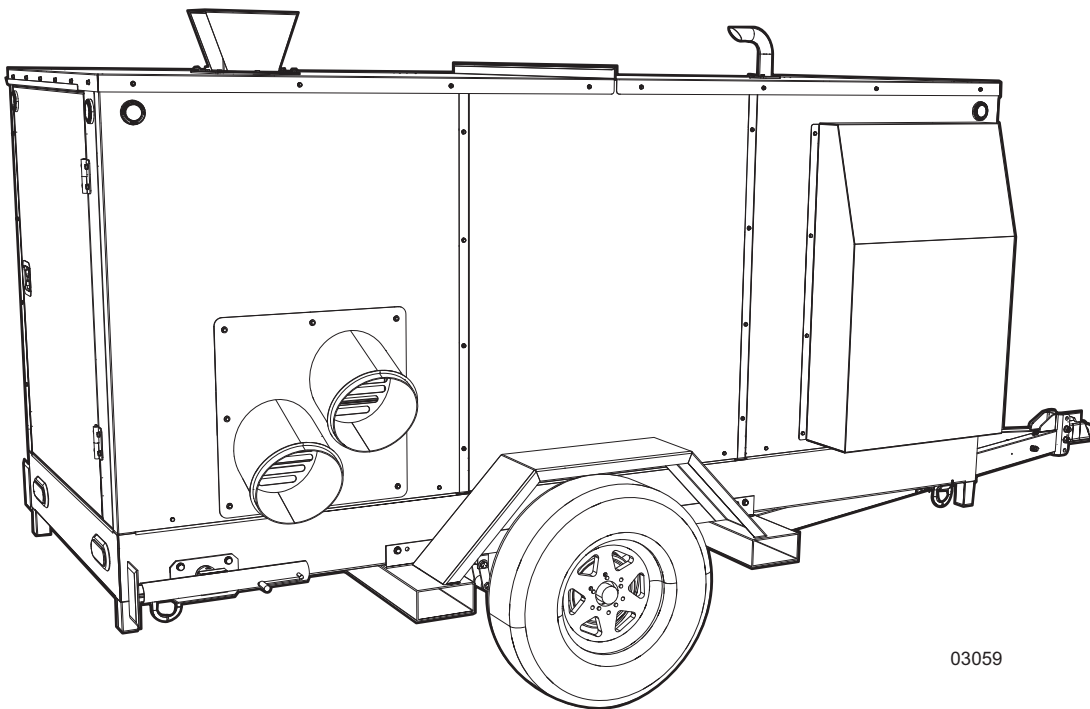


MIH800TDI

Mobile Indirect Heater

Parts Manual



03059

MODEL NUMBER: _____

SERIAL NUMBER: _____

DATE PURCHASED: _____

SAVE THIS MANUAL FOR FUTURE REFERENCE

 **WARNING**

CANCER AND REPRODUCTIVE HARM

www.P65Warnings.ca.gov

(000393a)

 **WARNING**

Breathing diesel engine exhaust exposes you to chemicals known to the State of California to cause cancer and birth defects or other reproductive harm.

- Always start and operate the engine in a well-ventilated area.
- If in an enclosed area, vent the exhaust to the outside.
- Do not modify or tamper with the exhaust system.
- Do not idle the engine except as necessary.

For more information go to

www.P65Warnings.ca.gov/diesel

(000394)

Introduction

This parts manual was prepared based on the information available at the time of publication and is subject to change without notice. Generac Mobile Products reserves the right to change parts at any time. To check whether a revised parts manual is available, contact Generac Mobile Products.

DO NOT MODIFY or use this equipment for any application other than which it was designed for. To keep your equipment fully operational, it is suggested you maintain a stock of commonly used maintenance or service parts. A recommended spare parts list can be found in the back of this manual. To order service parts, please go to www.generacmobileproducts.com or call Generac Mobile Products.



WARNING

Consult Manual. Read and understand manual completely before using product. Failure to completely understand manual and product could result in death or serious injury. (000100a)

WARNING

Environmental Hazard. Always recycle batteries at an official recycling center in accordance with all local laws and regulations. Failure to do so could result in environmental damage, death, or serious injury. (000228)

GENERAC MOBILE PRODUCTS LLC

215 Power Drive • Berlin, WI 54923 U.S.A.

Phone: 920-361-4442

FAX: 920-361-4416

Toll Free: 1-800-926-9768

www.generacmobileproducts.com

For technical or parts QUESTIONS, contact Generac Mobile Products Technical Service at 1-800-926-9768.

Engine Make: _____

Engine Serial Number: _____

Engine Model Number: _____

This Page Intentionally Left Blank

Table of Contents

| | |
|---|-----|
| Introduction | iii |
| Parts Manual Instructions | 1 |
| Decal Location | 2 |
| Enclosure Panels | 4 |
| Roof and Doors to Unit | 6 |
| Burner Assembly to Unit | 8 |
| Heat Exchanger and Enclosure Panels to Unit | 10 |
| Heat Exchanger Assembly | 12 |
| Scroll Assembly | 14 |
| Rear Door Assembly | 16 |
| Side Door Assembly | 18 |
| Front Door Assembly | 20 |
| Control Box Assembly | 22 |
| Engine / Generator Assembly | 24 |
| Tank / Enclosure Frame Assembly | 26 |
| Trailer Assembly | 28 |
| Recommended Spare Parts - Engine | 30 |
| Recommended Spare Parts - Electrical | 32 |
| Recommended Spare Parts - Heater | 34 |

This Page Intentionally Left Blank

Parts Manual Instructions


Product illustrations are only representations. Products supplied may vary from the illustrations in this parts manual. Parts not shown in the illustration are indicated by a double dash (--) in the item column.

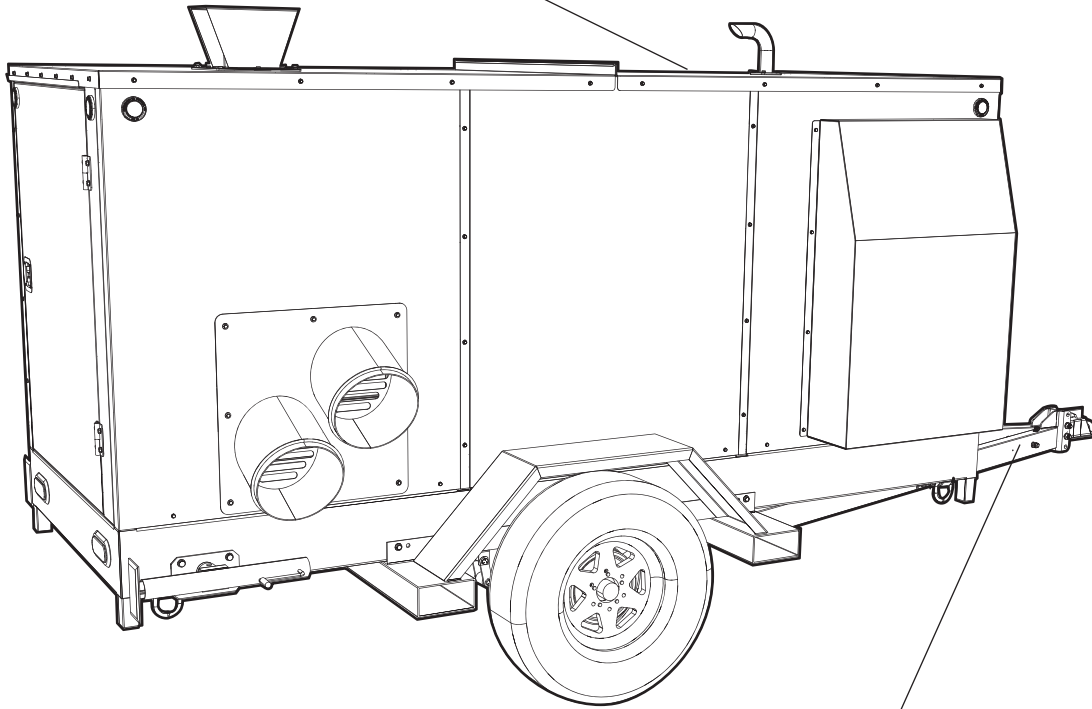
Please be prepared to provide the following information when ordering replacement parts: model number, serial number (on unit serial tag), part number, purchase order number (if applicable), shipping address, shipping method.

Refer to the illustration below to locate the unit ID tag and Vehicle Identification Number (VIN) tag on the unit. Important information, such as the unit serial number, model number, VIN and tire loading information are found on these tags. Record the information from these tags so it is available if the tags are lost or damaged. When ordering parts or requesting assistance, you may be asked to provide this information.

SERIAL TAG

(located on engine mount on inside of unit)

| | | | | | |
|--|----------------------|----------------------|----------------------|---|--|
| Manufactured by Generac Mobile Products LLC | | | | | |
| (920) 361-4442 | | | (800) 926-9768 | | |
| Country of Origin | Model | Serial Number | | | |
| <input type="text"/> | <input type="text"/> | <input type="text"/> | | | |
| Manufacturing Code | Weight (lbs/kg) | RPM/Frequency | | | |
| <input type="text"/> | <input type="text"/> | <input type="text"/> | | | |
| 1 ph. 1.0PF | | 3 ph. .8PF | 3 ph. 1.0PF | Rating | |
| KW | <input type="text"/> | <input type="text"/> | <input type="text"/> | <input type="text"/> | |
| KVA | <input type="text"/> | <input type="text"/> | <input type="text"/> | <input type="text"/> | |
| V | <input type="text"/> | <input type="text"/> | <input type="text"/> | <input type="text"/> | |
| A | <input type="text"/> | <input type="text"/> | <input type="text"/> | <input type="text"/> | |
| | | | |  FOR ELECTRICAL EQUIPMENT WITH THIS LISTING LISTED IN THE FOLLOWING CLASS | |

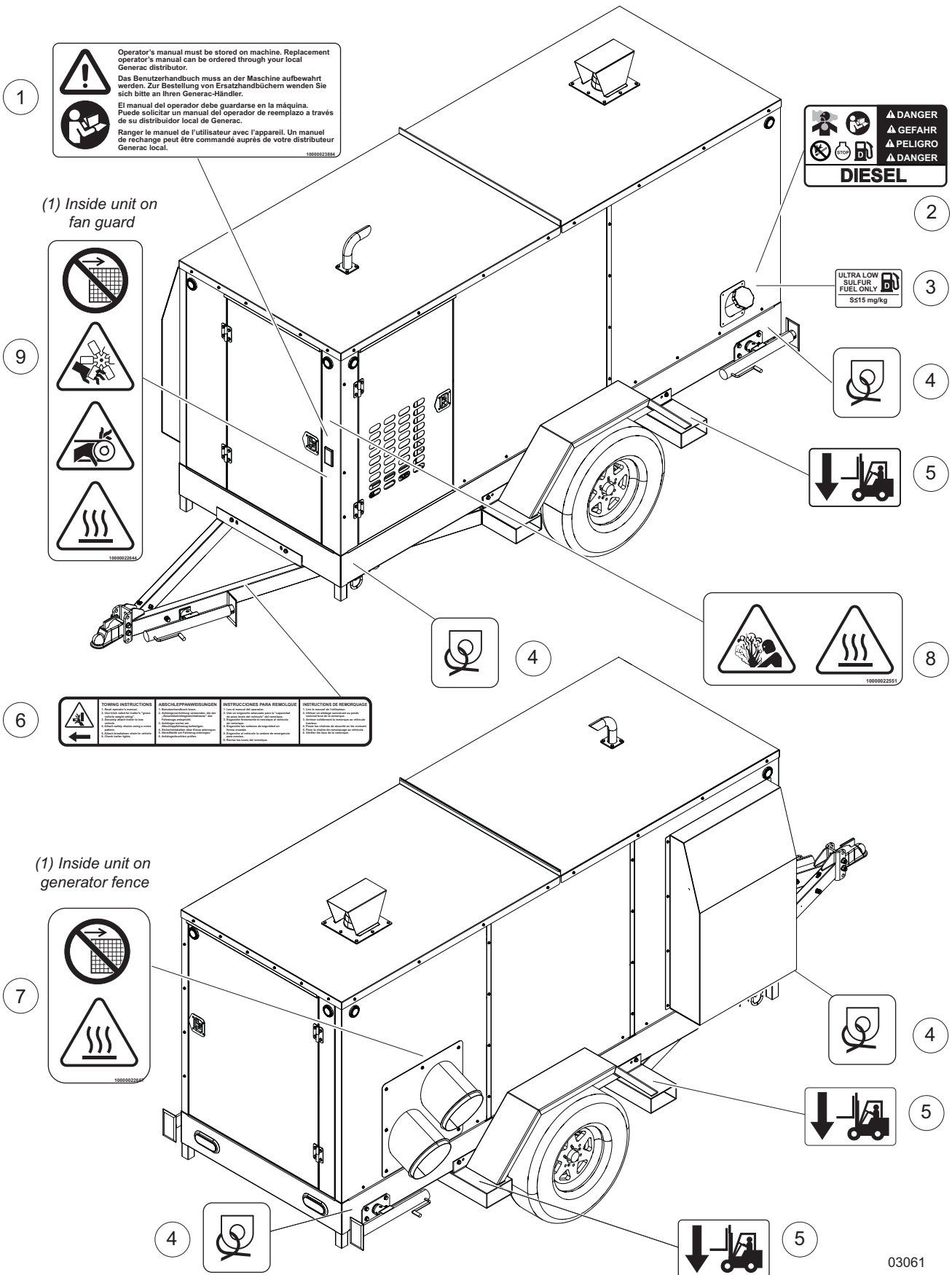


VIN TAG

| | | | | | |
|---|-------------|------------|--------------------------------------|--|--|
| MANUFACTURED BY/FABRICATION: Generac Mobile Products LLC | | | | DATE: 00/00/00 | |
| GOVERNANCE: 0000000000 | | | | COUNTRY: 000000 | |
| CASER / PNEU | TIRE / PNEU | RM / JANTE | CONF A FROID - KPA/PSI/KPa SOI / SOI |  TIRE AND LOADING INFORMATION RENSEIGNEMENTS SUR LES PNEUS ET LE CHARGEMENT The weight of cargo should never exceed 2000kg (4400 lbs). Le poids de chargement ne doit jamais dépasser 2000kg (4400 lbs). | |
| EACH AXLE: <input type="text"/> | | | | RECOMMENDED LOADING FOR TRAILERS | |
| <small>The model number does not include the production number and is a primary safety identification and control. Model should never be replaced without approval of the manufacturer.</small> | | | | MODEL: XXX000 TYPE: TRAILER | |
| VIN: 00000000000000000000 | | | | | |

03060

DECAL LOCATION

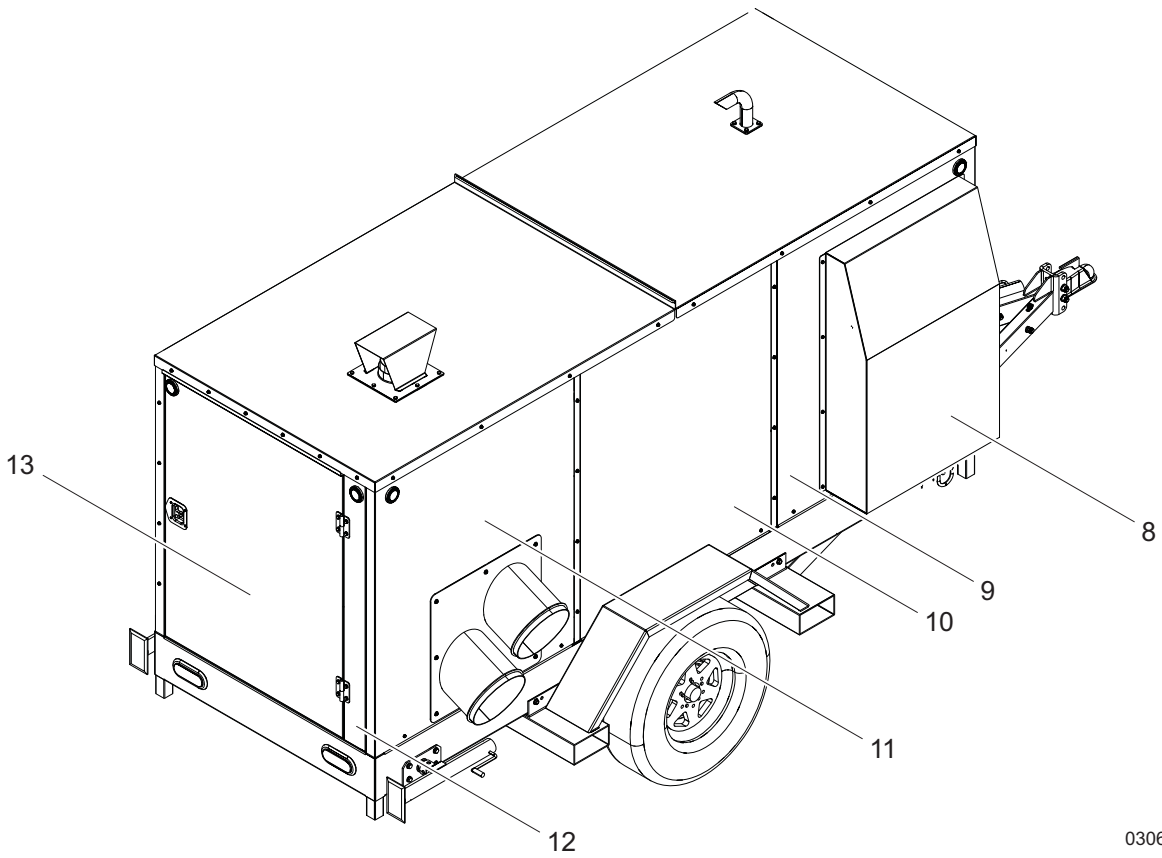
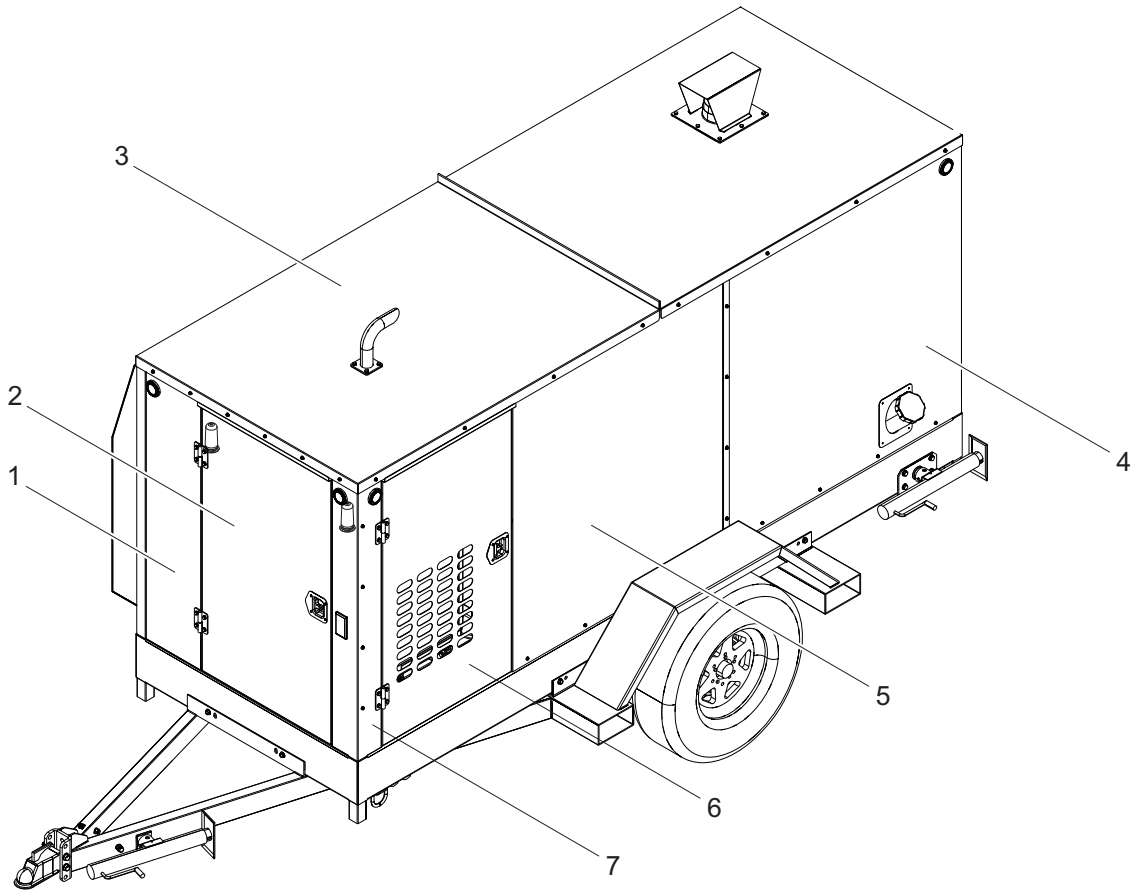


03061

DECAL LOCATION

| Item | Part No. | Qty | Description | Notes |
|------|-------------|-----|--|-------|
| 1 | 10000023884 | 1 | Decal, operator manual storage | |
| 2 | 10000022514 | 1 | Decal, diesel fuel only fill | |
| 3 | 10000023715 | 1 | Decal, ultra low sulfur fuel | |
| 4 | 10000022772 | 4 | Decal, tie down point | |
| 5 | 10000025362 | 4 | Decal, forklift pocket below | |
| 6 | 10000024119 | 1 | Decal, general tow instructions | |
| 7 | 10000022667 | 2 | Decal, generator guard temp warning | |
| 8 | 10000022551 | 1 | Decal, radiator fill hazard | |
| 9 | 10000022644 | 2 | Decal, fan belt blade temp guard | |
| 10 | A0000116250 | 1 | Decal, hot exhaust above | |
| 11 | A0000116251 | 3 | Decal, Do Not Drill | |
| 12 | A0000116411 | 3 | Decal, Read manual use PPE for hearing | |
| 13 | A0000116412 | 3 | Decal, do not step | |
| 14 | A0000411613 | 1 | Decal, disconnect battery for service | |
| -- | 10000008353 | 1 | Decal sheet, safety | |

ENCLOSURE PANELS

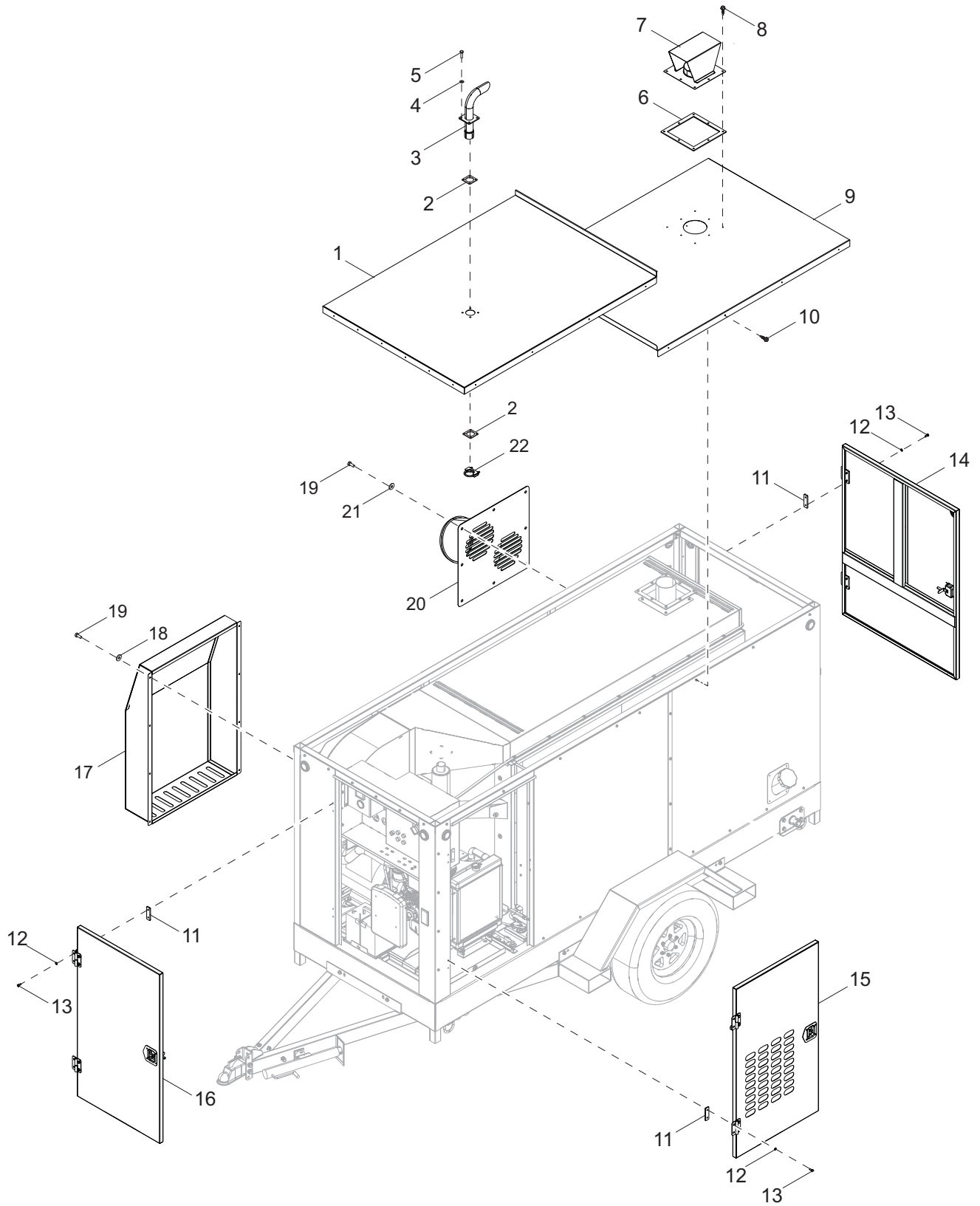


03062

ENCLOSURE PANELS

| Item | Part No. | Qty | Description | Notes |
|------|-------------|-----|---|-------|
| 1 | A0000199263 | 1 | Weldment, enclosure panel - right front | |
| 2 | A0000199265 | 1 | Weldment, front door | |
| 3 | A0000941132 | 1 | Assembly, roof | |
| 4 | A0000199259 | 1 | Weldment, enclosure panel - left rear | |
| 5 | A0000199261 | 1 | Weldment, enclosure panel - middle left | |
| 6 | A0000053190 | 1 | Weldment, door - left side | |
| 7 | A0000199269 | 1 | Weldment, corner post - front | |
| 8 | A0000199249 | 1 | Weldment intake duct cover | |
| 9 | A0000199275 | 1 | Panel, front - right | |
| 10 | A0000199277 | 1 | Panel, middle - right | |
| 11 | A0000199279 | 1 | Panel, rear -right | |
| 12 | A0000199273 | 1 | Weldment, rear panel | |
| 13 | A0000946135 | 1 | Weldment, rear door | |

ROOF AND DOORS TO UNIT

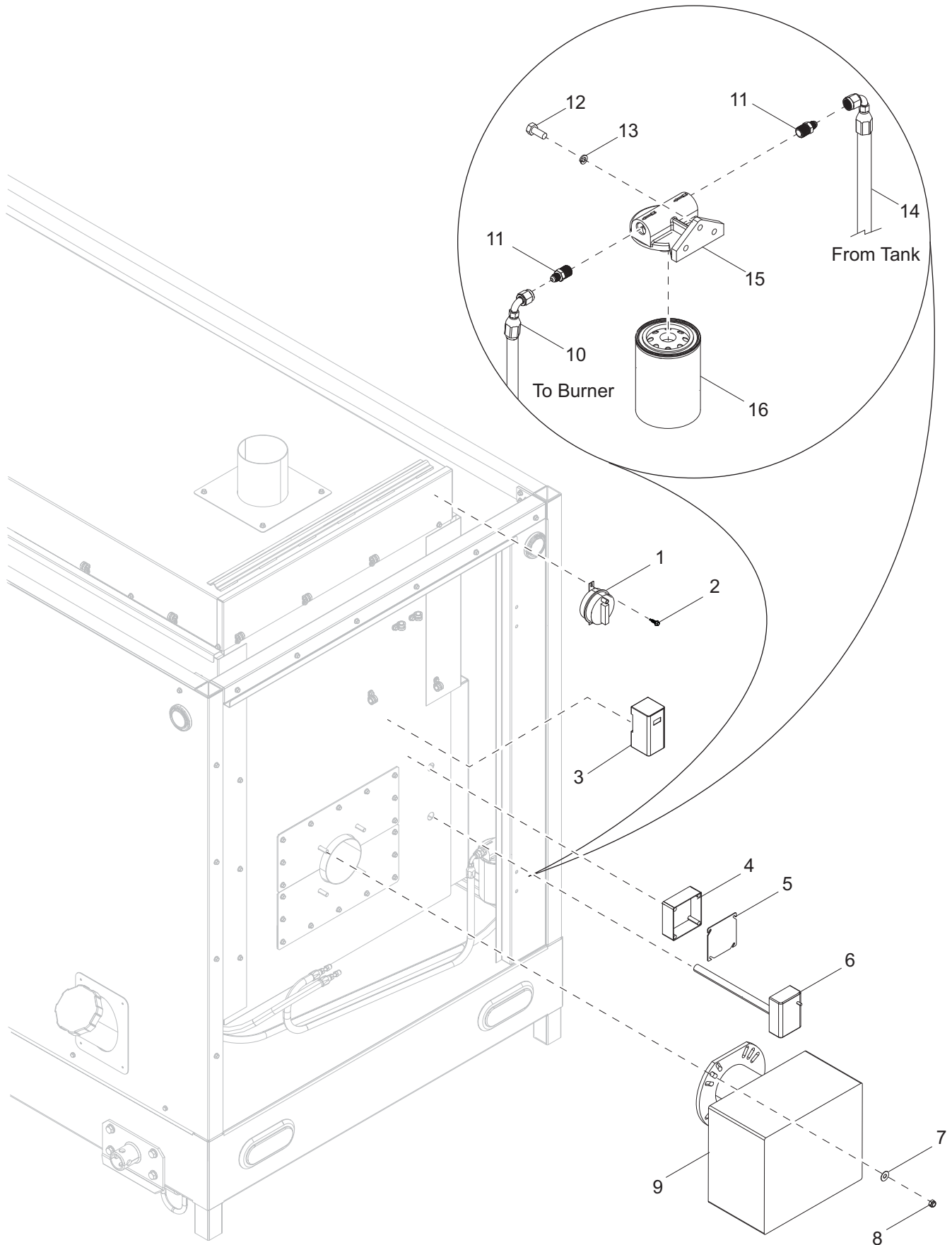


03063

ROOF AND DOORS TO UNITS

| Item | Part No. | Qty | Description | Notes |
|------|-------------|-----|---------------------------------------|-------|
| 1 | A0000199271 | 1 | Weldment, roof panel - front | |
| 2 | A0000199214 | 2 | Gasket, engine exhaust | |
| 3 | A0000257315 | 1 | Weldment, exhaust - out | |
| 4 | 60029 | 4 | Washer, M8 split lock | |
| 5 | G043107 | 4 | Screw, M8-1.25 x 25 HHC, G8.8 | |
| 6 | A0000199212 | 1 | Gasket, rain cap | |
| 7 | A0000199280 | 1 | Weldment, heater exhaust cap | |
| 8 | G042907 | 8 | Screw, M8-1.25 x 16 HHC, G8.8 | |
| 9 | A0000199254 | 1 | Weldment, roof panel - rear | |
| 10 | 3022914 | 28 | Screw, .250-14 x 1.00 self-tapping | |
| 11 | 36672ZC | 6 | Plate, hinge back threaded | |
| 12 | 60340 | 12 | Washer, .312 flat .875/.040 - SS | |
| 13 | 60654 | 12 | Screw, .312-18 x 1.00 button hex - SS | |
| 14 | A0000199257 | 1 | Weldment, door - rear | |
| 15 | A0000199267 | 1 | Weldment, door - left | |
| 16 | A0000199265 | 1 | Weldment, door - front | |
| 17 | A0000199249 | 1 | Weldment, duct cover - intake | |
| 18 | G049811 | 11 | Washer, M6 flat | |
| 19 | 60261 | 16 | Screw, M6-1.00 x 20 standard hex - SS | |
| 20 | A0000165709 | 1 | Weldment, discharge 12.00 dual | |
| 21 | A0000206009 | 8 | Washer, sealing .434ID x 1.00OD - SS | |
| 22 | 0C6119 | 1 | U-bolt .625-18 x 2,25 | |
| -- | 10000045773 | 8 | Nut, M10 x 1.5 U-clip short type | |

BURNER ASSEMBLY TO UNIT

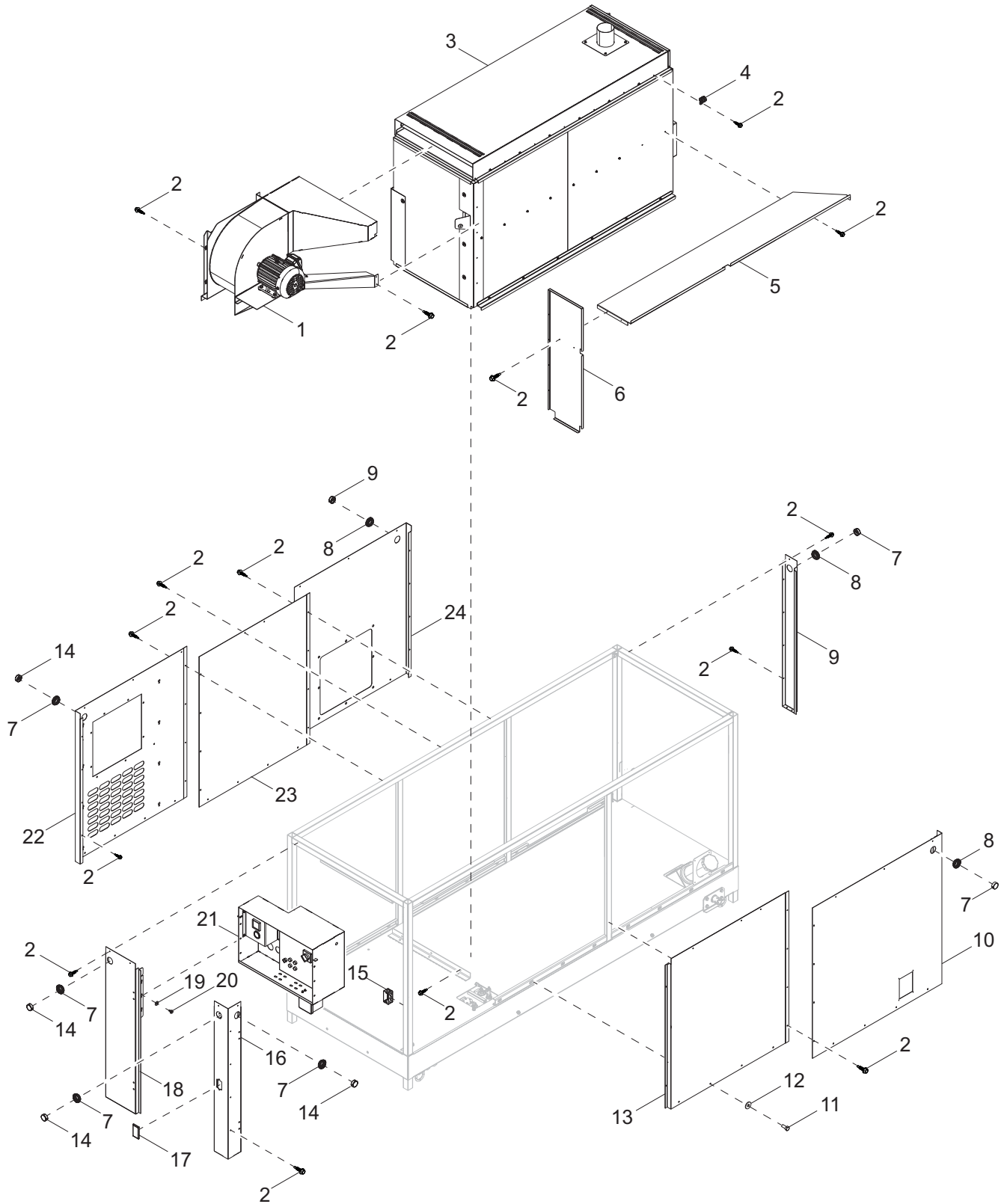


03064

BURNER ASSEMBLY TO UNIT

| Item | Part No. | Qty | Description | Notes |
|------|-------------|-----|---|-----------------------|
| 1 | MAC1399 | 1 | Switch | |
| 2 | 60364 | 12 | Screw, 10-16 x .500 standard hex self tapping | with items 2, 3, 4, 6 |
| 3 | MAC1516 | 1 | Thermostat - electric | |
| 4 | MAC0386 | 1 | Box, electrical 4.00 x 4.00 - square | |
| 5 | MAC0397 | 1 | Cover, 4.00 x 4.00 - square | |
| 6 | MAC1488 | 1 | Control, fan limit 11.50 | |
| 7 | 60027 | 4 | Washer, M10 flat | |
| 8 | 60033 | 4 | Nut, M10-1.50 hex, G8.8 | |
| 9 | MAC0944 | 1 | Kit, F15 burner | |
| 10 | A0000172020 | 1 | Hose, filter to burner supply | |
| 11 | MAC2241 | 2 | Adapter, AER 2021-8-6S | |
| 12 | G042909 | 3 | Screw, M8-1.25 x 30 HHC, G8.8 | |
| 13 | 60029 | 3 | Washer, M8 split lock | |
| 14 | A0000172000 | 1 | Hose, fuel supply - burner | |
| 15 | MAC0579 | 1 | Housing, filter | |
| 16 | MAC0576 | 1 | Filter, fuel | |
| -- | A0000479047 | 1 | Tubing, pressure switch - copper | |

HEAT EXCHANGER AND ENCLOSURE PANELS TO UNIT

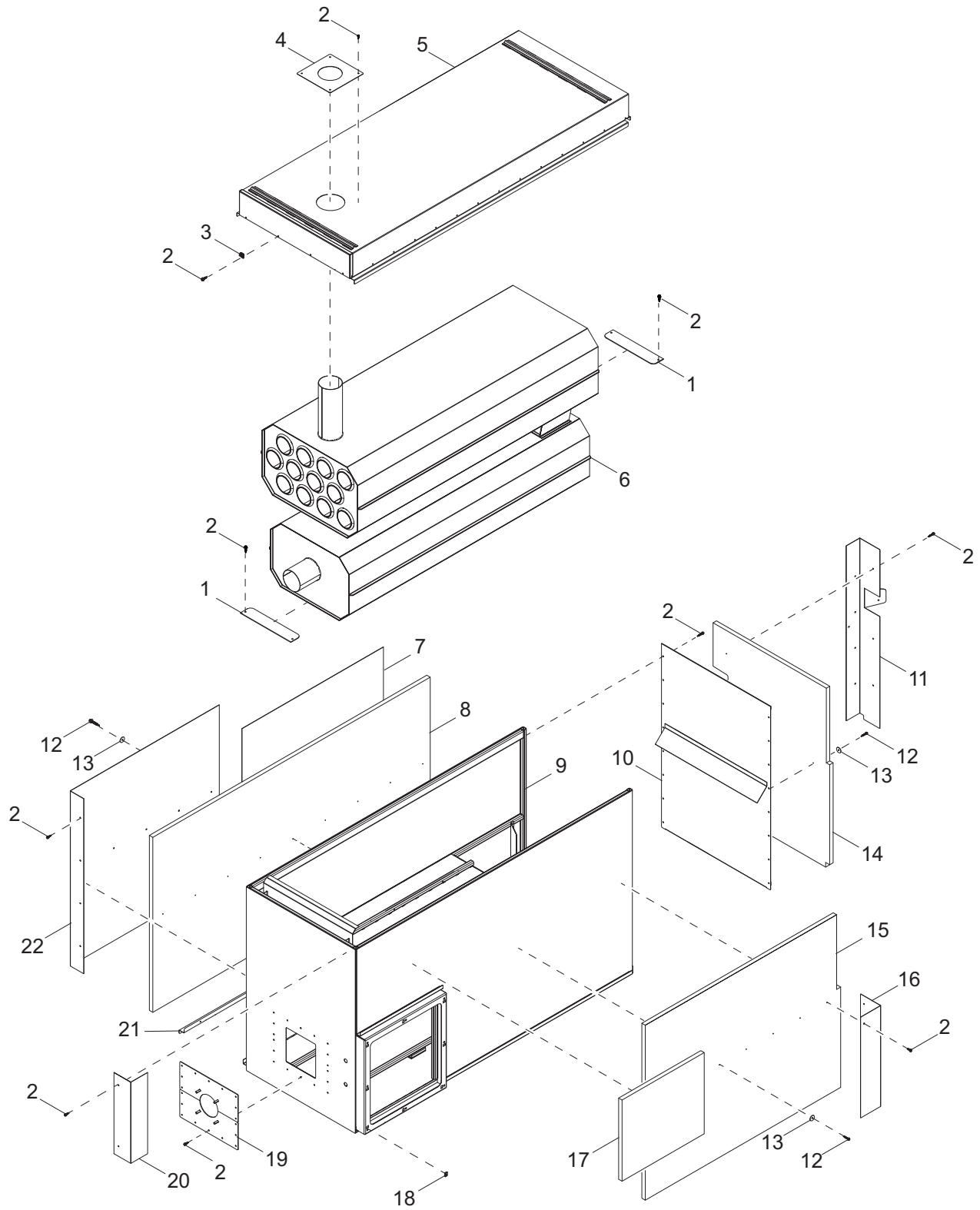


03065

HEAT EXCHANGER AND ENCLOSURE PANELS TO UNIT

| Item | Part No. | Qty | Description | Notes |
|------|-------------|-----|---------------------------------------|--------------|
| 1 | A0000941943 | 1 | Assembly, fan scroll | |
| 2 | 3022914 | 24 | Screw, .250-14 x 1.00 self-tapping | |
| 3 | A0000953379 | 1 | Assembly, heat box | incl MAC0944 |
| 4 | 16143 | 14 | Clamp, tubing .500 | |
| 5 | A0000199281 | 1 | Support, duct shelf | |
| 6 | A0000199282 | 1 | Separator, enclosure | |
| 7 | MAC4085 | 4 | Light, clearance 2.00 LED - red | |
| 8 | 66394 | 8 | Grommet, sealed beam light - rubber | |
| 9 | A0000199273 | 1 | Weldment, rear enclosure panel | |
| 10 | A0000199259 | 1 | Weldment, left rear enclosure | |
| 11 | 60261 | 18 | Screw, M6-1.00 x 20 standard hex | |
| 12 | G049811 | 18 | Washer, M6 flat | |
| 13 | A0000199261 | 1 | Weldment, panel - middle left | |
| 14 | MAC4084 | 4 | Light, clearance 2.00 LED - amber | |
| 15 | MAC0377 | 1 | Cover, outlet box | |
| 16 | A0000199269 | 1 | Weldment, front corner post | |
| 17 | MAC2320 | 1 | Cover | |
| 18 | A0000199263 | 1 | Weldment, panel - right front | |
| 19 | G049811 | 11 | Washer, M6 flat | |
| 20 | 60261 | 6 | Screw, M6-1.00 x 20 standard hex - SS | |
| 21 | A0001478973 | 1 | Assembly, electrical | |
| 22 | A0000199275 | 1 | Panel, right side - front | |
| 23 | A0000199277 | 1 | Panel, right side - middle | |
| 24 | A0000199279 | 1 | Panel, right side - rear | |
| -- | MAC0306 | 1 | Receptacle, GFI, 20A 125V | |

HEAT EXCHANGER ASSEMBLY

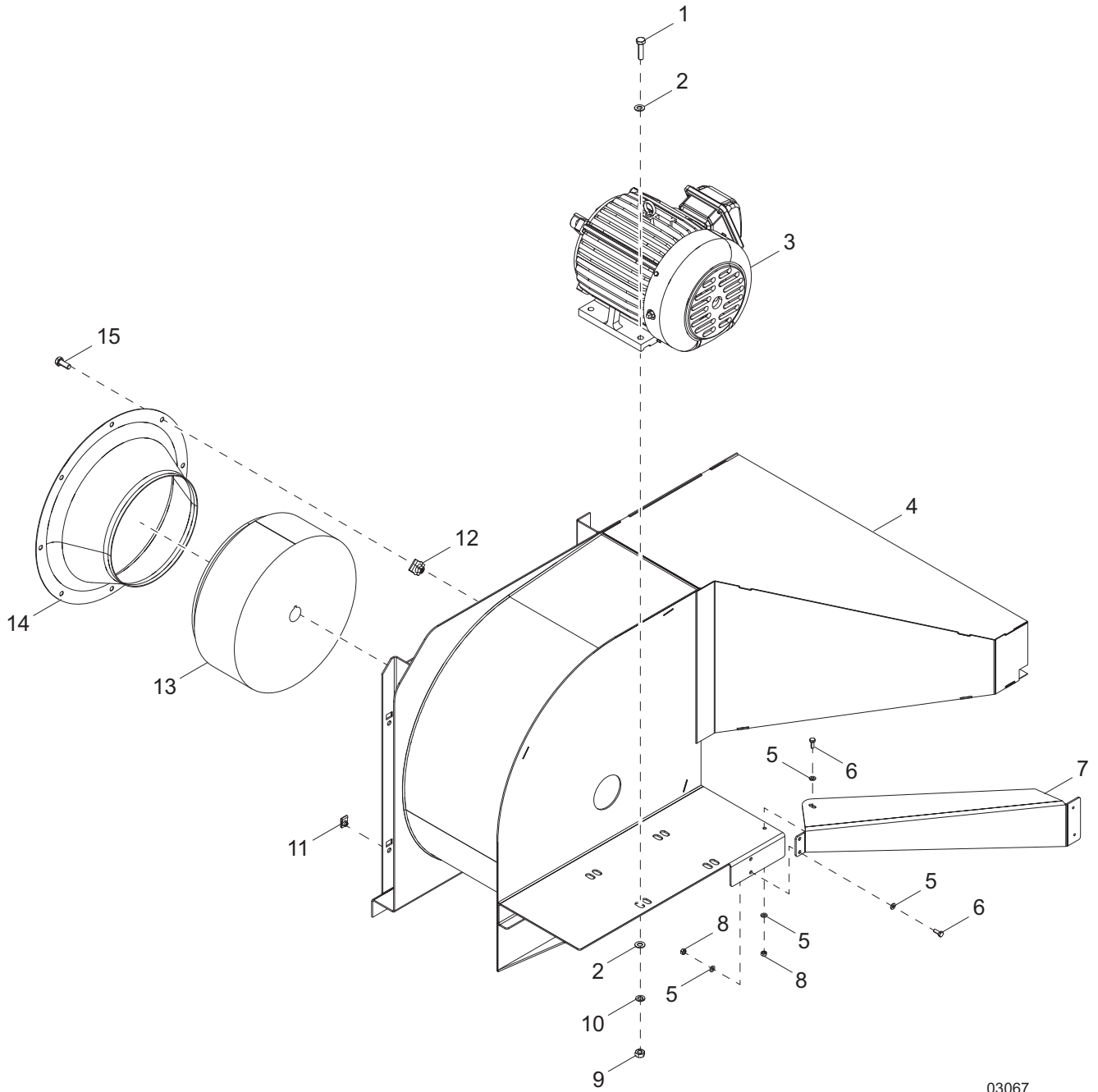


03066

HEAT EXCHANGER ASSEMBLY

| Item | Part No. | Qty | Description | Notes |
|------|-------------|-----|--|-------|
| 1 | A0000199310 | 2 | Plate, front mounting | |
| 2 | 3022914 | 125 | Screw, .250-14 x 1.00 self-tapping | |
| 3 | 16143 | 2 | Clamp, tubing .500 | |
| 4 | A0000263749 | 1 | Plate, heat box exhaust | |
| 5 | A0000264110 | 1 | Weldment, cold box | |
| 6 | A0000953379 | 1 | Weldment, heat exchanger | |
| 7 | A0000199247 | 1 | Plate, front insulation cover | |
| 8 | A0000199305 | 1 | Insulation, left side | |
| 9 | A0000199248 | 1 | Weldment, heat box frame | |
| 10 | A0000263989 | 1 | Weldment, front panel - heat box | |
| 11 | A0000199300 | 1 | Plate, front LH corner | |
| 12 | 3023543 | 12 | Screw, .250-14 x 1.50 hex self-tapping | |
| 13 | 60089 | 12 | Washer, .265 fender 1.250/.060 | |
| 14 | A0000199308 | 1 | Insulation, front | |
| 15 | A0000199307 | 1 | Insulation, right side - large | |
| 16 | A0000199301 | 1 | Plate, front RH corner | |
| 17 | A0000199306 | 1 | Insulation, right side - small | |
| 18 | 10000045773 | 8 | Nut, M10 x 1.50 u-clip short type | |
| 19 | A0000258139 | 2 | Weldment, burner bracket | |
| 20 | A0000199302 | 1 | Plate, rear RH corner | |
| 21 | A0000199245 | 1 | Plate, hose protection | |
| 22 | A0000199246 | 1 | Cover, insulation - rear | |

SCROLL ASSEMBLY

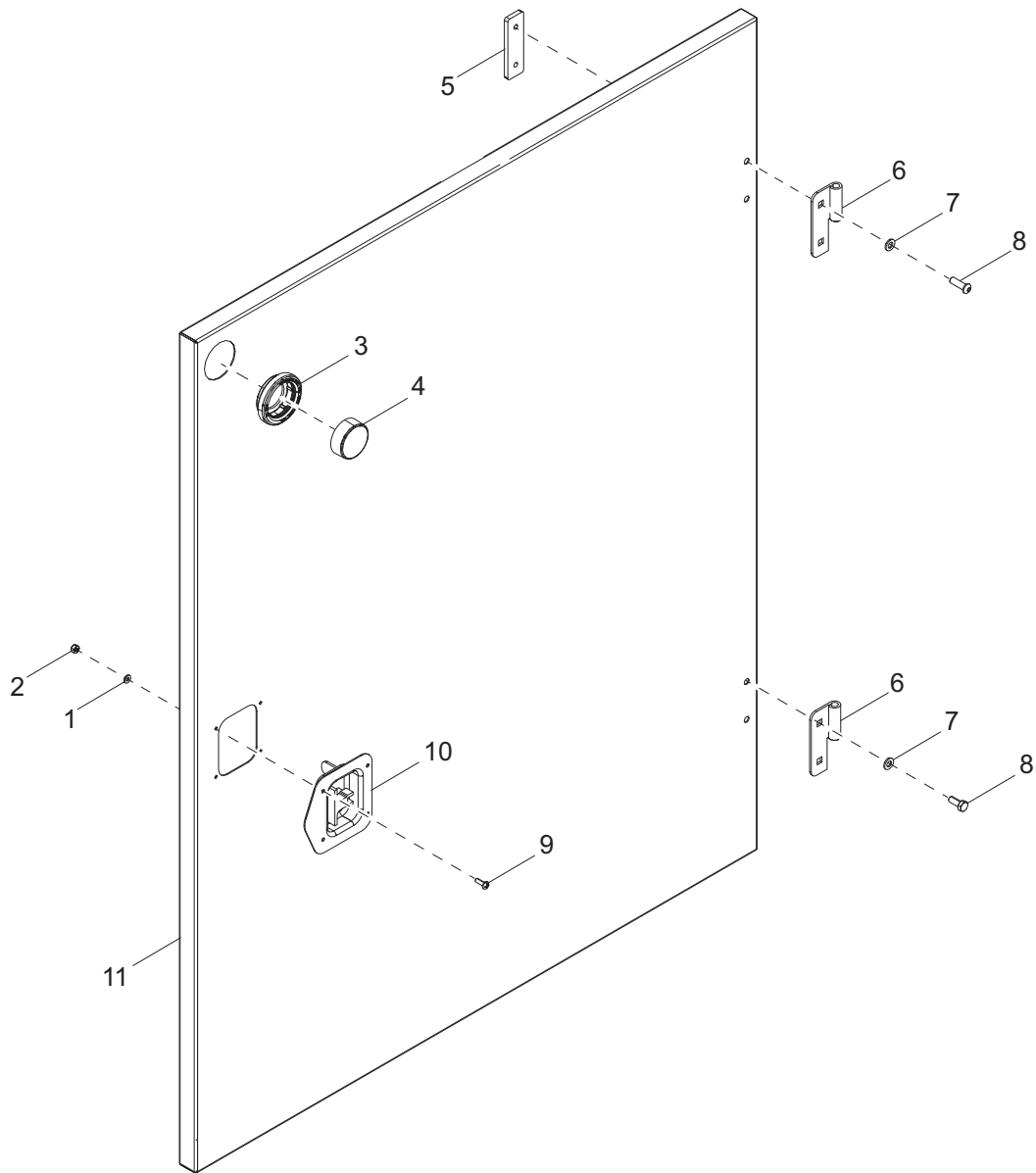


03067

SCROLL ASSEMBLY

| Item | Part No. | Qty | Description | Notes |
|------|-------------|-----|-----------------------------------|------------|
| 1 | G057642 | 4 | Screw, M10-1.50 x 40, G8.8 HHC | |
| 2 | 60027 | 8 | Washer, M10 flat | |
| 3 | MAC0966 | 1 | Motor, 5HP | |
| 4 | A0000199250 | 1 | Weldment, fan shroud | |
| 5 | G049811 | 6 | Washer, M6 flat | |
| 6 | G047411 | 3 | Screw, M6-1.0 x 16, G8.8 HHC | |
| 7 | A0000257304 | 1 | Bracket, motor mount support | |
| 8 | 0B2236 | 3 | Nut, M6-1 locking hex | |
| 9 | G045772 | 4 | Nut, M10-1.50 G8 | |
| 10 | G046526 | 4 | Washer, M10 lock | |
| 11 | A0000172066 | 9 | Nut, M6 x 1 u-clip short type | |
| 12 | 10000045773 | 8 | Nut, M10 x 1.50 u-clip short type | |
| 13 | MAC1961 | 1 | Fan, SWSI | |
| 14 | MAC1969 | 1 | Funnel, 135BC 16 gauge | |
| 15 | G049814 | 8 | Screw, M10-1.5 x 25, G8.8 | |
| 16 | A0000941943 | 1 | Assembly, fan scroll | items 1-15 |

REAR DOOR ASSEMBLY

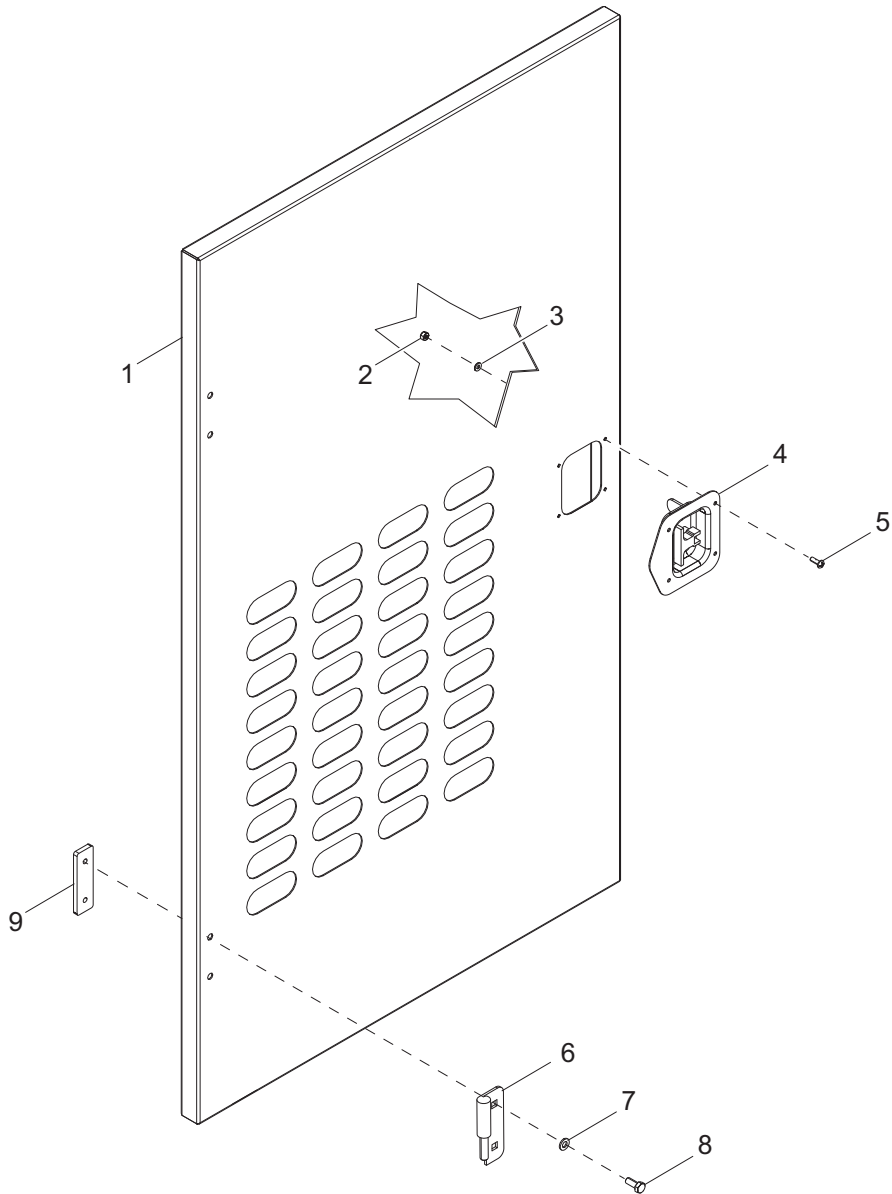


03068

REAR DOOR ASSEMBLY

| Item | Part No. | Qty | Description | Notes |
|------|-------------|-----|---------------------------------------|-------|
| 1 | G080490 | 4 | Washer, #8 flat | |
| 2 | 0C6748 | 4 | Nut, M4-0.7 nylock | |
| 3 | 66394 | 1 | Grommet, sealed beam light - rubber | |
| 4 | MAC4085 | 1 | Light, clearance 2.00 LED - red | |
| 5 | 36672ZC | 2 | Plate, hinge back - threaded | |
| 6 | 18461B | 2 | Hinge, left - female | |
| 7 | 60340 | 4 | Washer, .312 flat .875/.040 - SS | |
| 8 | 60654 | 4 | Screw, .312-18 x 1.00 button hex - SS | |
| 9 | 0C6749 | 4 | Screw, M4-0.70 x 12 PPHM - SS | |
| 10 | 22498 | 1 | Latch, T-handle CCW lock - right | |
| 11 | A0000199257 | 1 | Weldment, rear door | |
| -- | A0000946135 | 1 | Assembly, rear door | |

SIDE DOOR ASSEMBLY

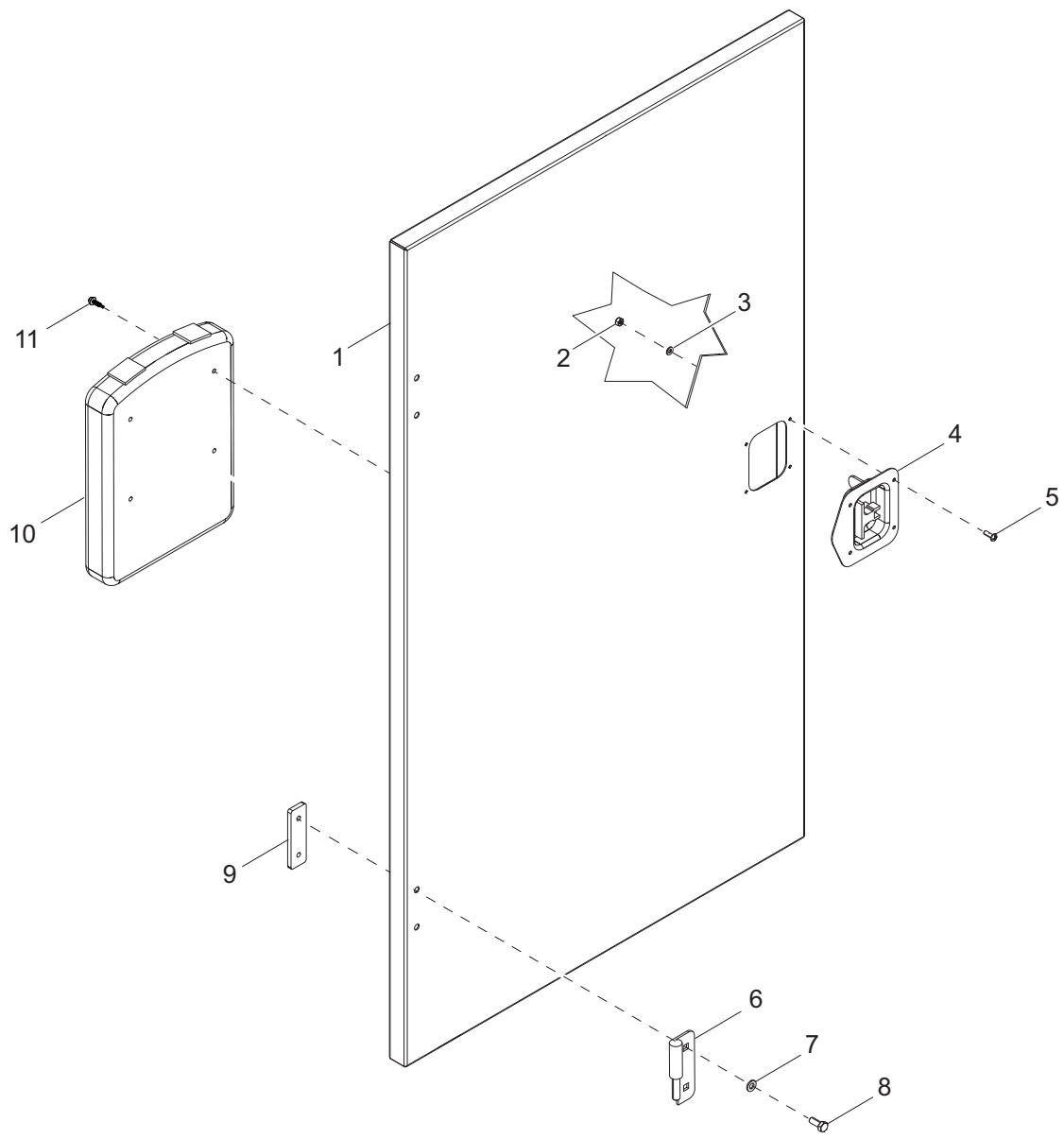


03069

SIDE DOOR ASSEMBLY

| Item | Part No. | Qty | Description | Notes |
|------|-------------|-----|---------------------------------------|-----------|
| 1 | A0000199267 | 1 | Weldment, left door | |
| 2 | 0C6748 | 4 | Nut, M4-0.7 nylock | |
| 3 | G080490 | 4 | Washer, #8 flat | |
| 4 | 22498 | 1 | Latch, T-handle CCW lock - right | |
| 5 | 0C6749 | 4 | Screw, M4-0.70 x 12 PPHM - SS | |
| 6 | 18459B | 2 | Hinge, left - male | |
| 7 | 60340 | 4 | Washer, .312 flat .875/.040 - SS | |
| 8 | 60654 | 4 | Screw, .312-18 x 1.00 button hex - SS | |
| 9 | 36672ZC | 2 | Plate, hinge back - threaded | |
| -- | A0000953190 | 1 | Assembly, side door | items 1-9 |

FRONT DOOR ASSEMBLY

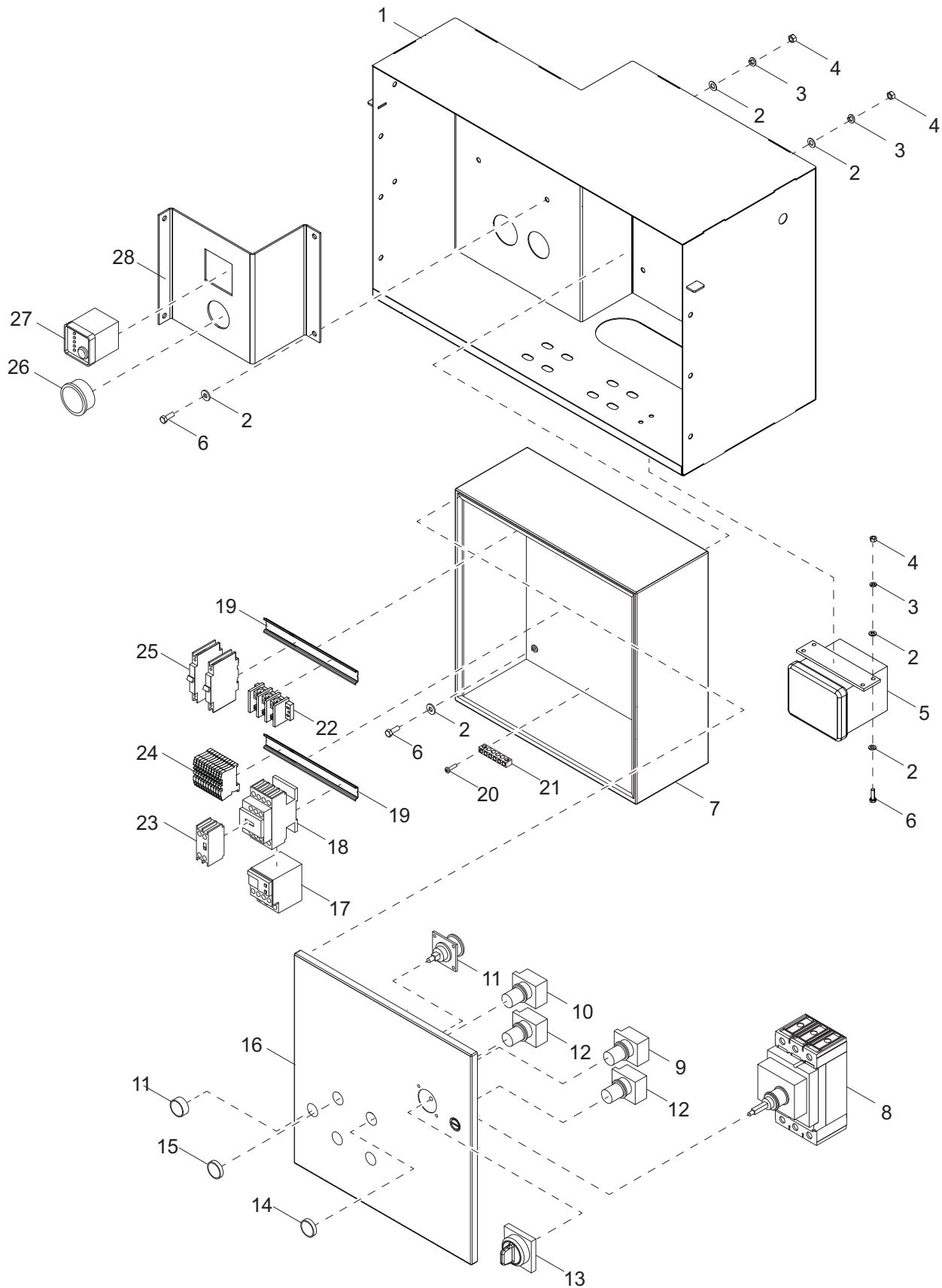


03070

FRONT DOOR ASSEMBLY

| Item | Part No. | Qty | Description | Notes |
|------|-------------|-----|---------------------------------------|-------|
| 1 | A0000199265 | 1 | Weldment, front door | |
| 2 | 0C6748 | 4 | Nut, M4-0.7 nylock | |
| 3 | G080490 | 4 | Washer, #8 flat | |
| 4 | 22498 | 1 | Latch, T-handle CCW lock - right | |
| 5 | 0C6749 | 4 | Screw, M4-0.70 x 12 PPHM - SS | |
| 6 | 18459B | 2 | Hinge, left - male | |
| 7 | 60340 | 4 | Washer, .312 flat .875/.040 - SS | |
| 8 | 60654 | 4 | Screw, .312-18 x 1.00 button hex - SS | |
| 9 | 36672ZC | 2 | Plate, hinge back - threaded | |
| 10 | 24540 | 1 | Holder, manual | |
| 11 | 3022914 | 3 | Screw, .250-14 x 1.00 self-tapping | |
| 12 | A0000953364 | 1 | Assembly, front door | |

CONTROL BOX ASSEMBLY

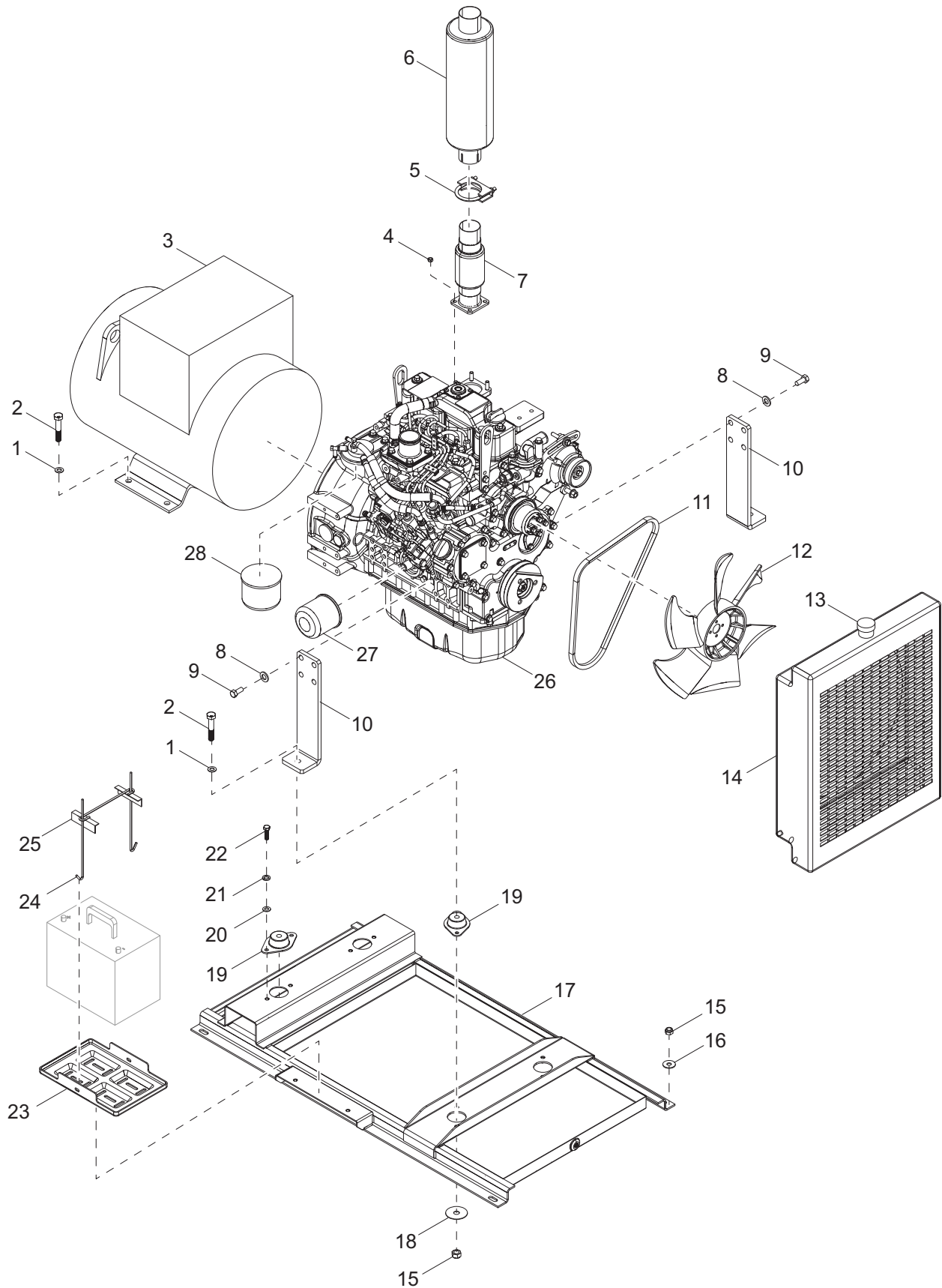


03071

CONTROL BOX ASSEMBLY

| Item | Part No. | Qty | Description | Notes |
|------|-------------|-----|--|------------------|
| 1 | A0000199284 | 1 | Weldment, controller box | |
| 2 | G049811 | 16 | Washer, M6 flat | |
| 3 | OJ7513 | 8 | Washer, lock M6 | |
| 4 | G049813 | 8 | Nut, M6-1.0 hex, G8 | |
| 5 | MAC2374 | 1 | Kit, breakaway | |
| 6 | G042568 | 8 | Screw, M6-1.0 x 20, G8.8 | |
| 7 | MAC2313 | 1 | Box, breaker | Includes item 16 |
| 8 | 3020821 | 1 | Breaker, 30A | |
| 9 | 3021359 | 1 | Light, LED 120V - red | |
| 10 | 3020956 | 1 | Light, LED 120V - green | |
| 11 | 3021349 | 1 | Switch, 2 position | |
| 12 | 3021348 | 2 | Switch, push button - momentary | |
| 13 | MAC0424 | 1 | Kit, disconnect | |
| 14 | 3021360 | 1 | Lens, red | |
| 15 | 3020957 | 1 | Lens, green | |
| 16 | MAC2313 | 1 | Cover, breaker box | Includes item 7 |
| 17 | 3023292 | 1 | Relay, motor overload | |
| 18 | 3020728 | 1 | Contactor, 25 amp | |
| 19 | N/A | 2 | Rail, DIN | |
| 20 | 60352 | 8 | Screw, .375-16 x 1.25 standard hex, G5 | |
| 21 | 3021358 | 1 | Bar, ground | |
| 22 | 3021361 | 1 | Block, distribution - 3 phase | |
| 23 | 3021352 | 1 | Contactor, aux | |
| 24 | 10000030709 | 1 | Terminal block, pass through WH | |
| 25 | 3021372 | 2 | Breaker, 10A - single phase | |
| 26 | MAC1202 | 1 | Gauge, fuel | |
| 27 | 3020740 | 1 | Controller, LOFA | |
| 28 | A0000199283 | 1 | Key switch mount | |

ENGINE / GENERATOR ASSEMBLY

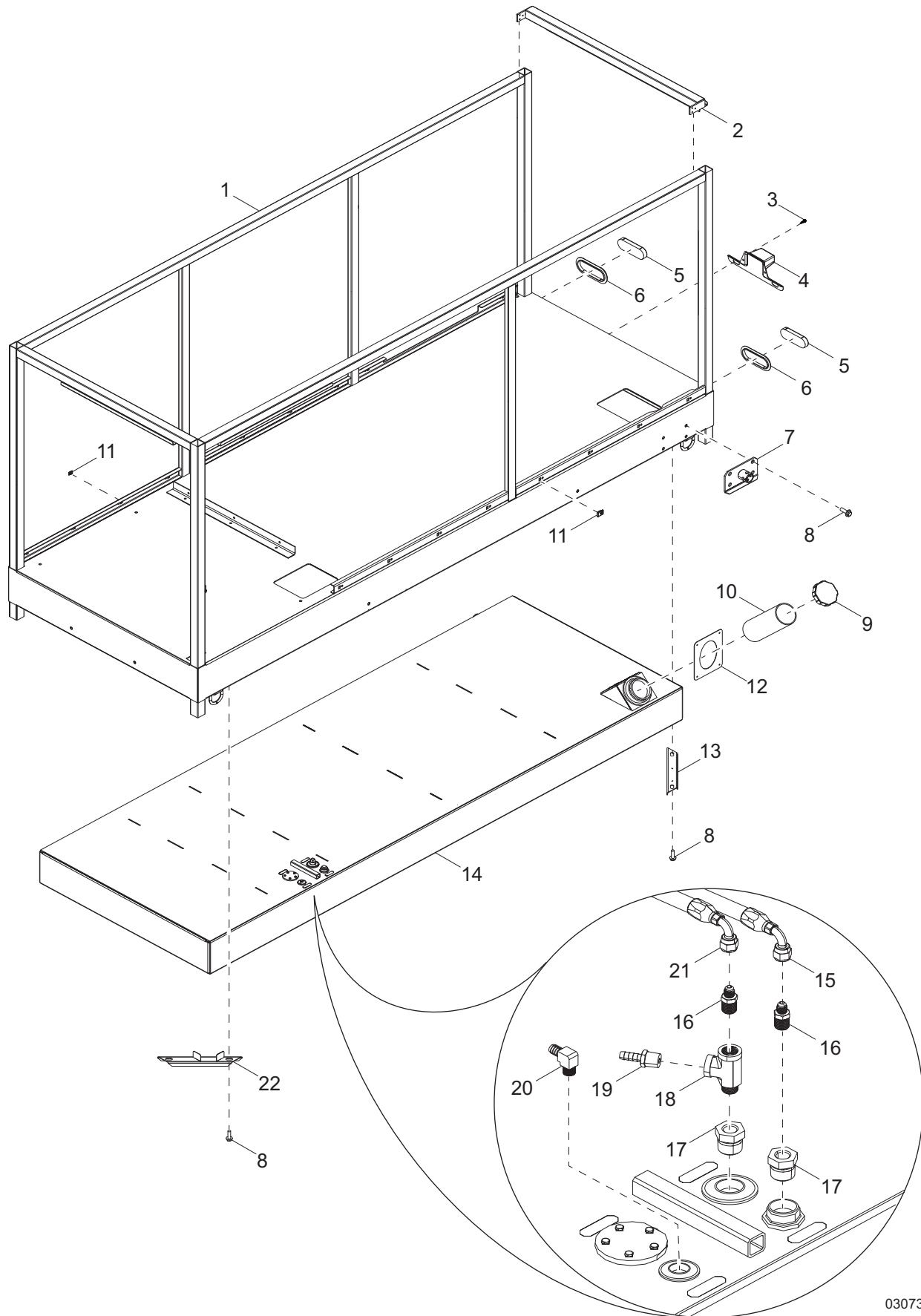


03072

ENGINE / GENERATOR ASSEMBLY

| Item | Part No. | Qty | Description | Notes |
|------|-------------|-----|---|-------|
| 1 | 60012 | 4 | Washer, M12 flat | |
| 2 | G098780 | 4 | Screw, M12-1.75 x 65 HHC, G8.8 | |
| 3 | A0000218332 | 1 | Generator, Marathon 12kW LOFA | |
| 4 | 60032 | 4 | Nut, M8-1.25 hex | |
| 5 | 0C6119 | 1 | U-Bolt, .615-18 x 2.25 | |
| 6 | A0000199335 | 1 | Muffler | |
| 7 | A0000199334 | 1 | Weldment, exhaust - flex | |
| 8 | 60026 | 8 | Washer, M10 split lock | |
| 9 | 60408 | 8 | Screw, M10-1.50 x 30 standard hex, G8.8 | |
| 10 | A0001446682 | 2 | Bracket, engine mount | |
| 11 | 3020829 | 1 | Belt, fan | |
| 12 | 3020837 | 1 | Fan | |
| 13 | 19219 | 1 | Cap, radiator, 14 PSI | |
| 14 | 3023206 | 1 | Assembly, radiator | |
| 15 | 60305 | 8 | Nut, M12-1.75 nylock, G8.8 | |
| 16 | G049808 | 4 | Washer, M12 flat | |
| 17 | A0000257311 | 1 | Weldment, engine mounting | |
| 18 | 0H7039 | 4 | Washer, M13 x 24 flat | |
| 19 | A0000199330 | 4 | Isolator | |
| 20 | 60031 | 8 | Washer, M8 flat | |
| 21 | 0D3919 | 8 | Washer, M8 lock | |
| 22 | G043107 | 8 | Screw, M8-1.25 x 25 HHC, G8.8 | |
| 23 | 14145 | 1 | Battery tray | |
| 24 | 14146 | 2 | Bolt, J .250-20 x 10.00 | |
| 25 | 14682 | 1 | Bracket, battery hold-down | |
| 26 | A0000218332 | 1 | Engine, D1.6L G35 3CE1 T4 | |
| 27 | 3020826 | 1 | Filter, oil | |
| 28 | 3020827 | 1 | Filter, fuel | |
| -- | A0001589935 | 2 | Isolater, radiator mount | |

TANK / ENCLOSURE FRAME ASSEMBLY

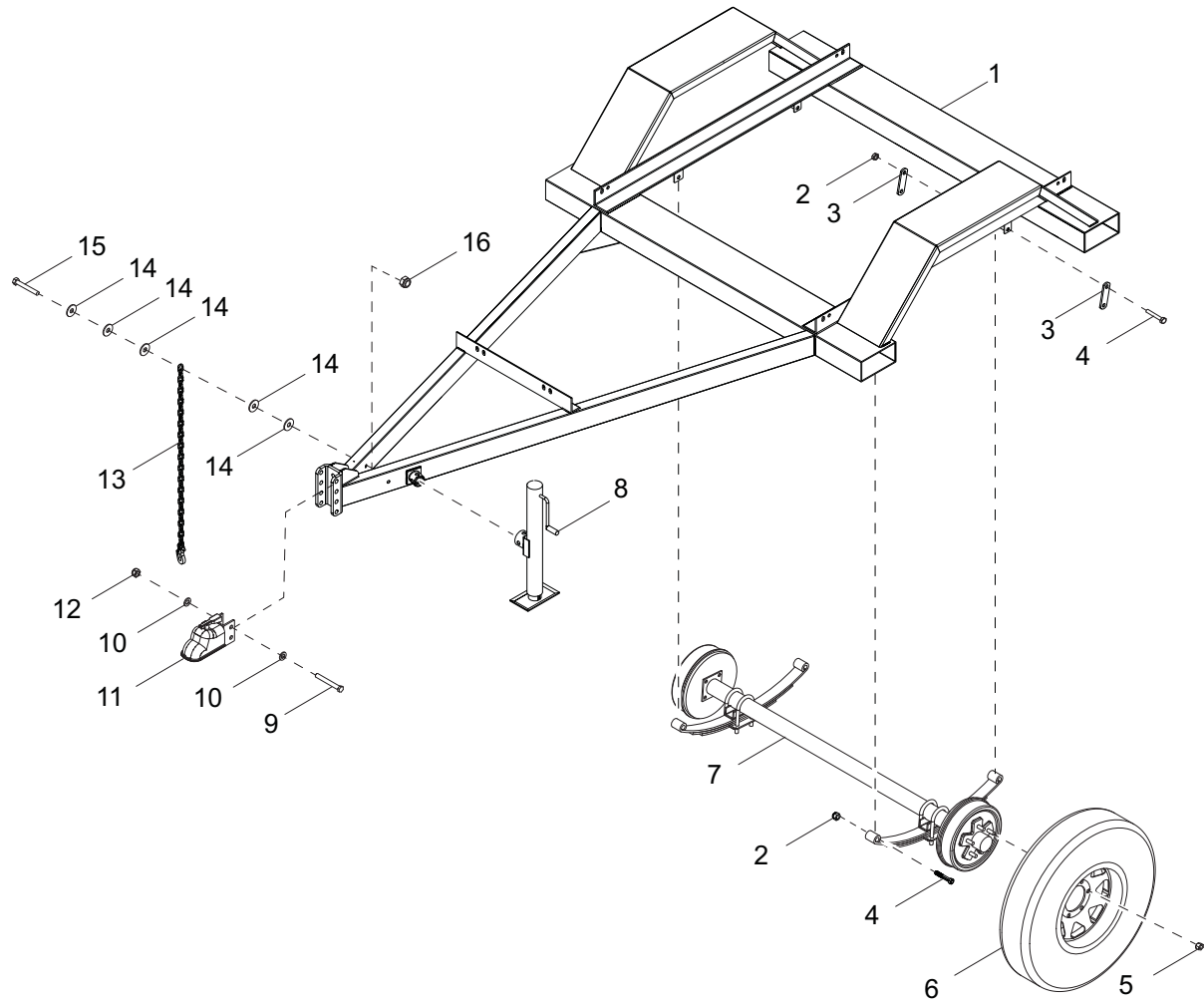


03073

TANK / ENCLOSURE FRAME ASSEMBLY

| Item | Part No. | Qty | Description | Notes |
|------|-------------|-----|---|-------|
| 1 | A0000199286 | 1 | Weldment, skid mount | |
| 2 | A0000199231 | 1 | Weldment, containment cross member | |
| 3 | 3022914 | 2 | Screw, .250-14 x 1.00 self-tapping | |
| 4 | MAC1366 | 1 | Bracket, light, license plate | |
| 5 | MAC4083 | 2 | Light, 6.00 oval LED stop/turn/tail | |
| 6 | MAC3637 | 2 | Grommet, 6.00 oval | |
| 7 | A0000199285 | 1 | Weldment, jack mount | |
| 8 | 60202 | 16 | Screw, M12-1.75 x 35 serrated flange, G10.9 | |
| 9 | MAC1975 | 1 | Cap, 4.00 vented fuel | |
| 10 | MAC2099 | 1 | Nipple, 4.00 x 12.00 - black | |
| 11 | A0000172066 | 20 | Nut, M6 x 1.00 u-clip - short type | |
| 12 | A0000199253 | 1 | Cover plate, fuel fill | |
| 13 | A0000199240 | 2 | Weldment, tank support | |
| 14 | A0000223941 | 1 | Fuel tank | |
| 15 | A0000171997 | 1 | Hose, fuel - return | |
| 16 | MAC2240 | 2 | Adapter 2021-6-6S | |
| 17 | MAC2253 | 2 | Reducer, pipe 2081-12-6S | |
| 18 | MAC2269 | 1 | Adapter, pipe tee 2092-6-6S | |
| 19 | G055596 | 1 | Fitting, straight .375NPT x .375 | |
| 20 | MAC2379 | 1 | Adapter, tank - short | |
| 21 | A0000172000 | 1 | Hose, fuel - supply | |
| 22 | A0000199252 | 2 | Weldment, tank support | |
| -- | 20571 | 1 | Sender, fuel | |

TRAILER ASSEMBLY

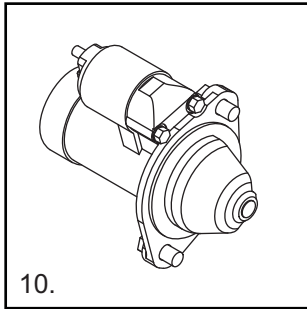
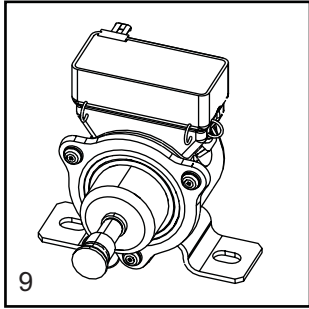
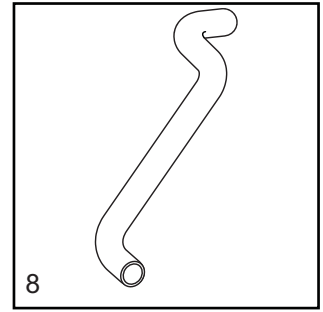
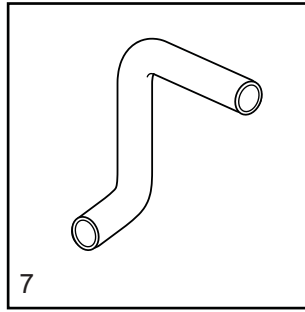
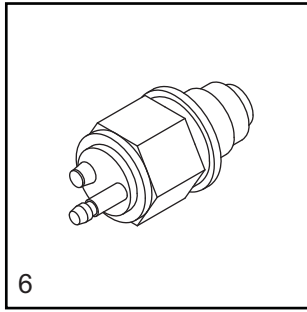
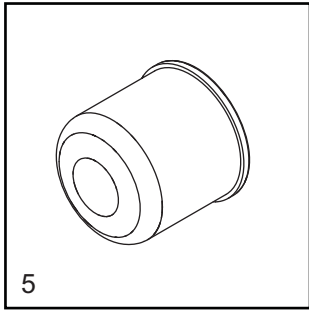
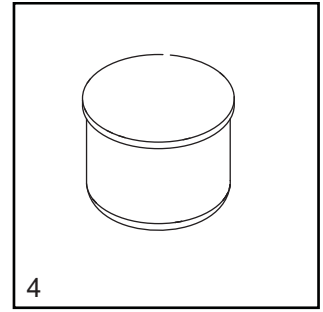
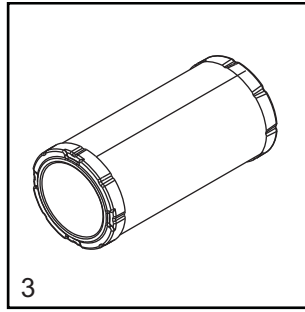
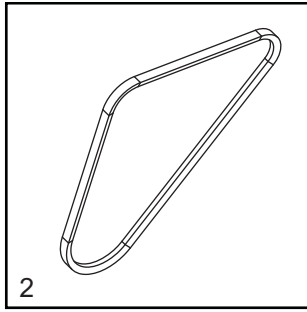
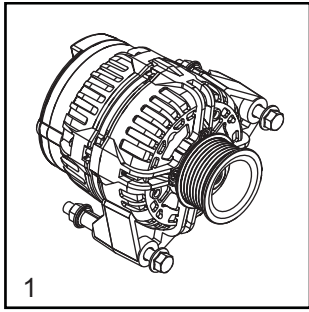


03074

TRAILER ASSEMBLY

| Item | Part No. | Qty | Description | Notes |
|------|-------------|-----|---|-------|
| 1 | A0000199338 | 1 | Weldment, trailer | |
| 2 | 60504 | 6 | Nut, .562-18 hex, G5 | |
| 3 | 19637 | 4 | Plate, shackle bracket - 3.125 | |
| 4 | 60503 | 6 | Screw, .562-18 x 3.00 Hex, G5 | |
| 5 | 60096 | 12 | Nut, .500-20 lug, G5 | |
| 6 | 20374B | 2 | Wheel, ST235/80R16 - black | |
| 7 | MAC0594 | 2 | Kit, 48.00 inch, 6000 # axle | |
| 8 | 13050 | 1 | Assembly, jack 2000# side wind - tube mount | |
| 9 | 10000045715 | 2 | Screw, M16-2.0 x 130, G8.8 | |
| 10 | 60193 | 4 | Washer, M16 flat | |
| 11 | MAC0069 | 1 | Hitch, 2.-5/16" | |
| 12 | 10000045417 | 2 | Nut, M16-2.00 nylock hex, G10.9 | |
| 13 | 23367 | 2 | Chain, safety 7,800# | |
| 14 | 60309 | 12 | Washer, .500 flat 1.060/.090 | |
| 15 | G068407 | 2 | Screw, M12-1.75 x 90, G10.9 | |
| 16 | 60305 | 2 | Nut, M12-1.75 nylock, G8.8 | |

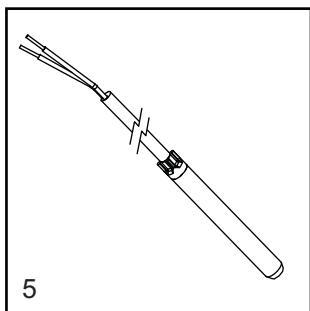
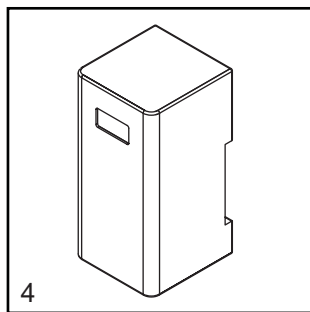
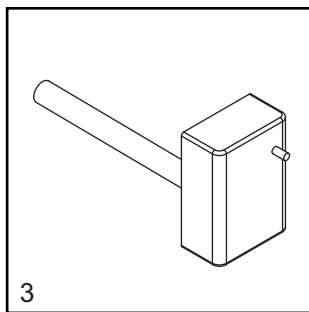
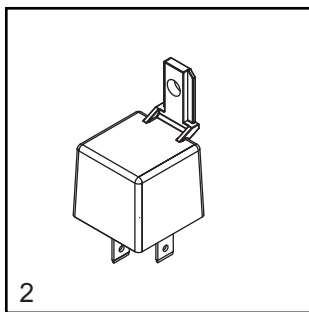
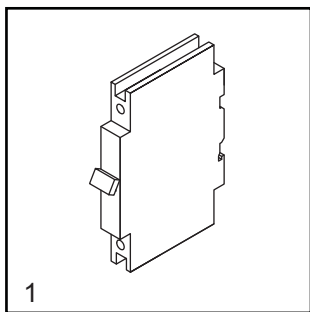
RECOMMENDED SPARE PARTS - ENGINE



RECOMMENDED SPARE PARTS - ENGINE

| | |
|---------------------------------|---------------------|
| 1. Alternator | 3020833 |
| 2. Belt, fan | 3020829 |
| 3. Filter, air | 3020836 |
| 4. Filter, fuel | 3020827 |
| 5. Filter, oil | 3020826 |
| 6. Glow Plug | 3020830 |
| 7. Hose, radiator - upper..... | 10000030886 |
| 8. Hose, radiator - lower | 10000030896 |
| 9. Pump, fuel | 3022097 |
| 10. Starter | 3020832 |
| 11. Relay, Glow Plug..... | MAC4010 (not shown) |

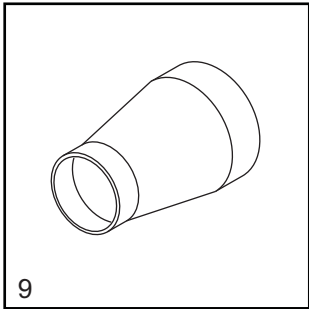
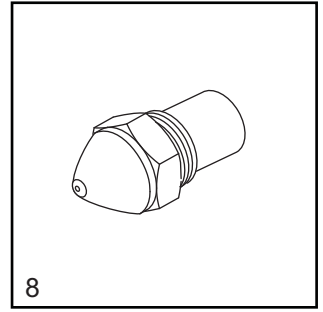
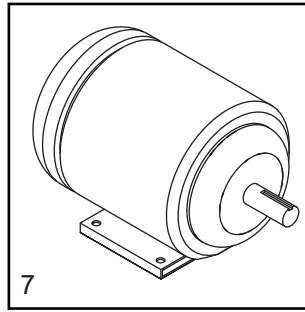
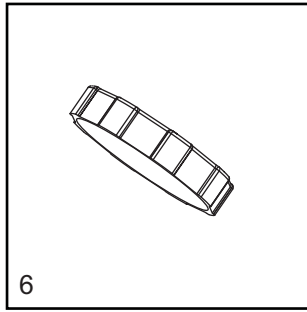
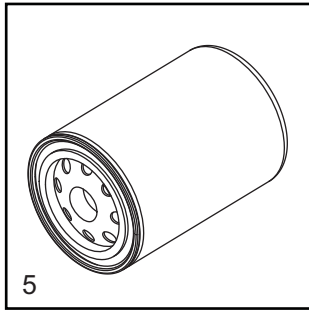
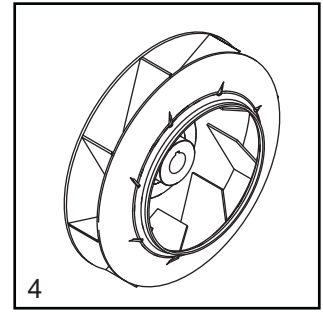
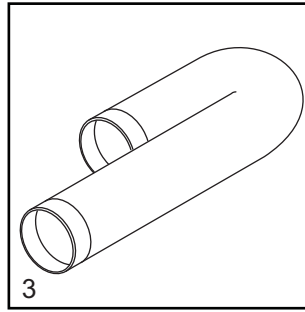
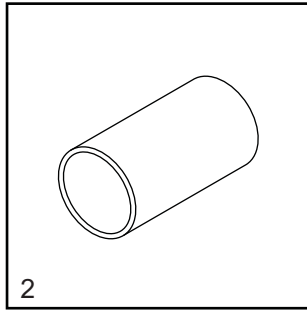
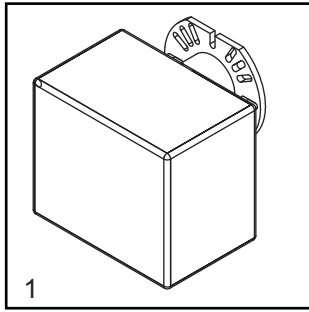
RECOMMENDED SPARE PARTS - ELECTRICAL



RECOMMENDED SPARE PARTS - ELECTRICAL

| | |
|---|-------------|
| 1. Breaker, 10A - single phase..... | 3021372 |
| 2. Relay, 12V 30/40A N.O. w diode | 65049 |
| 3. Control, fan limit..... | MAC1488 |
| 4. Control, temperature..... | MAC1516 |
| 5. Sensor, A421 | 10000023341 |

RECOMMENDED SPARE PARTS - HEATER



RECOMMENDED SPARE PARTS - HEATER

| | |
|---|---------------------|
| 1. Burner, 40 series F15 w/ nozzle kit MAC1879..... | MAC1911 |
| 2. Tube, 5.00 - short | MAC1834 |
| 3. Duct, 12" x 30'..... | 10000023604 |
| 4. Fan, blower..... | MAC1961 |
| 5. Filter, fuel burner..... | MAC0576 |
| 6. Fuel cap, vented 4.00 inch | MAC1975 |
| 7. Motor, blower 7.5 hp | MAC0973 |
| 8. Nozzle, Riello 2.50 x 60° | MAC1607 |
| 9. Reducer, 12" to 8" | MAC0008 |
| 10. CAD/Photo eye..... | MAC1706 (not shown) |
| 11. Electrode, short..... | MAC1742 (not shown) |
| 12. Control, primary | MAC1875 (not shown) |
| 13. Capacitor | MAC1735 (not shown) |
| 14. Burner Emergency Kit | MAC1872 (not shown) |
| 15. Preheated Nozzle Kit..... | MAC1879 (not shown) |

Part No. A0000263981 Rev. B 06/22/2021

©2021 Generac Mobile Products, LLC

All rights reserved.

Specifications are subject to change without notice.

No reproduction allowed in any form without prior written consent
from Generac Mobile Products, LLC.

GENERAC | **MOBILE**

Generac Mobile Products, LLC
215 Power Drive, Berlin, WI 54923

GeneracMobileProducts.com | 800-926-9768 | 920-361-4442