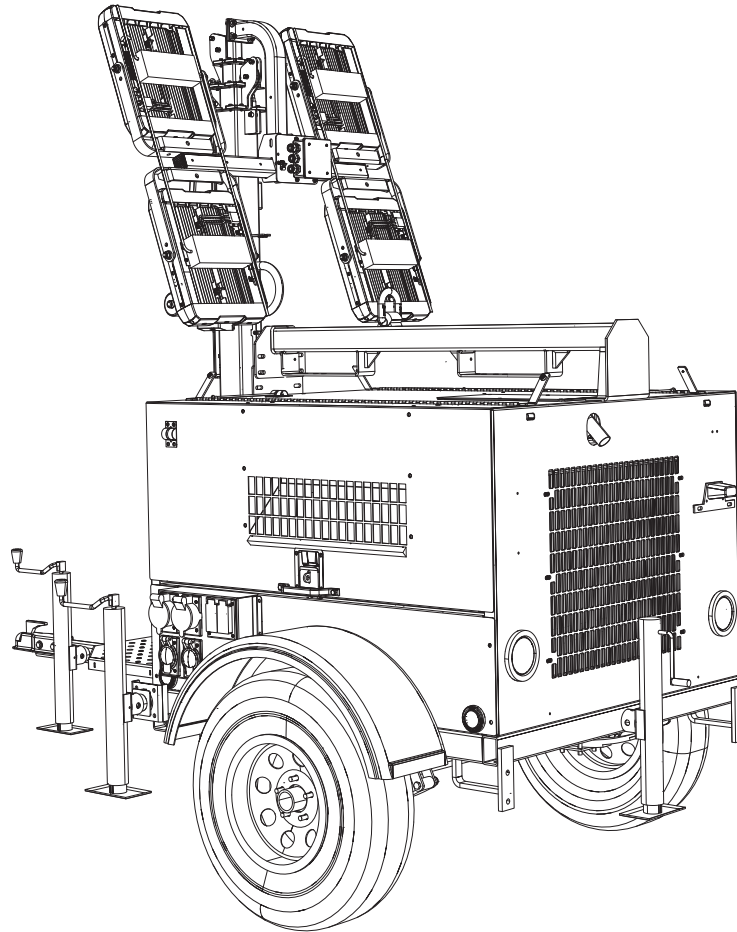


# ***MLT4200IV-LED***

## ***Diesel Light Tower Parts Manual***



**MODEL NUMBER:** \_\_\_\_\_

**SERIAL NUMBER:** \_\_\_\_\_

**DATE PURCHASED:** \_\_\_\_\_

***SAVE THIS MANUAL FOR FUTURE REFERENCE***

 **WARNING**

Breathing diesel engine exhaust exposes you to chemicals known to the State of California to cause cancer and birth defects or other reproductive harm.

- Always start and operate the engine in a well-ventilated area.
- If in an enclosed area, vent the exhaust to the outside.
- Do not modify or tamper with the exhaust system.
- Do not idle the engine except as necessary.

For more information go to

[www.P65Warnings.ca.gov/diesel](http://www.P65Warnings.ca.gov/diesel). (000394)

# Introduction

This parts manual was prepared based on the information available at the time of publication and is subject to change without notice. Generac Mobile reserves the right to change parts at any time. To check whether a revised parts manual is available, contact Generac Mobile.

DO NOT MODIFY or use this equipment for any application other than which it was designed for. To keep your equipment fully operational, it is suggested you maintain a stock of commonly used maintenance or service parts. A recommended spare parts list can be found in the back of this manual. To order service parts, please go to [www.generacmobileproducts.com](http://www.generacmobileproducts.com) or call Generac Mobile.



## **WARNING**

Consult Manual. Read and understand manual completely before using product. Failure to completely understand manual and product could result in death or serious injury. (000100a)

---

## **WARNING**

Environmental Hazard. Always recycle batteries at an official recycling center in accordance with all local laws and regulations. Failure to do so could result in environmental damage, death, or serious injury. (000228)

---

## **GENERAC MOBILE PRODUCTS LLC**

**215 Power Drive • Berlin, WI 54923 U.S.A.**

**Phone: 920-361-4442**

**FAX: 920-361-4416**

**Toll Free: 1-800-926-9768**

**[www.generacmobileproducts.com](http://www.generacmobileproducts.com)**

**For technical or parts QUESTIONS, contact Generac Mobile Technical Service at 1-800-926-9768.**

Engine Make: \_\_\_\_\_

Engine Serial Number: \_\_\_\_\_

Engine Model Number: \_\_\_\_\_

This Page Intentionally Left Blank



# Table of Contents

Introduction .....	iii
Parts Manual Instructions .....	1
Unit Decals - Exterior .....	2
Unit Decals - Left Side Interior .....	4
Unit Decals - Right Side Interior .....	6
Mast, Junction Box and Lights to Unit .....	8
LED Light Assembly .....	10
Mast Junction Box Assembly .....	12
Mast Assembly .....	14
Mast Assembly - Bottom Post .....	16
Roof and Doors to Unit .....	18
Front, Rear and Side Panels to Unit .....	20
Receptacle Box Assembly .....	22
Control Box to Unit .....	24
Control Box Assembly .....	26
Cooling System Assembly .....	28
Engine and Generator to Unit .....	30
Engine Assembly - Left Side .....	32
Engine Assembly - Right Side .....	34
Generator Assembly .....	36
Fuel Tank Assembly .....	38
Trailer Assembly .....	40
Trailer - Hitch Options .....	42
Axle Assembly .....	44
Recommended Spare Parts - Engine and Service Kit .....	46
Recommended Spare Parts - Electrical .....	48
Recommended Spare Parts - Misc .....	50

This Page Intentionally Left Blank

# Parts Manual Instructions

Product illustrations are only representations. Products supplied may vary from the illustrations in this parts manual. Parts not shown in the illustration are indicated by a double dash (--) in the item column.

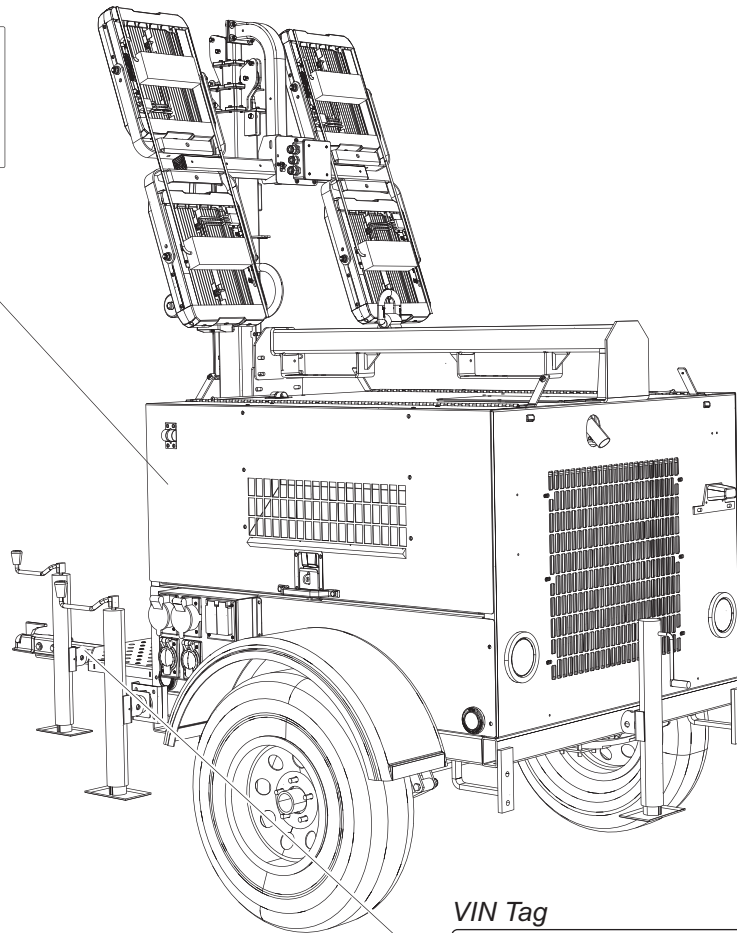
Please be prepared to provide the following information when ordering replacement parts: model number, serial number (on unit serial tag), part number, purchase order number (if applicable), shipping address, shipping method.

Refer to the illustration below to locate the unit ID tag and Vehicle Identification Number (VIN) tag on the unit. Important information, such as the unit serial number, model number, VIN and tire loading information are found on these tags. Record the information from these tags so it is available if the tags are lost or damaged. When ordering parts or requesting assistance, you may be asked to provide this information.

## Unit ID Tag

Located on inside  
of front panel

Manufactured by Generac Mobile Products LLC	
(502) 361-4442	(502) 326-9768
Country of Origin	Model
Manufacturing Code	Serial Number
Weight (Kilograms)	MPM Frequency
Rating	
1-ph. 1.00% 2-ph. 0.00% 3-ph. 1.00%	
KVA	Invt. Class
V	
A	

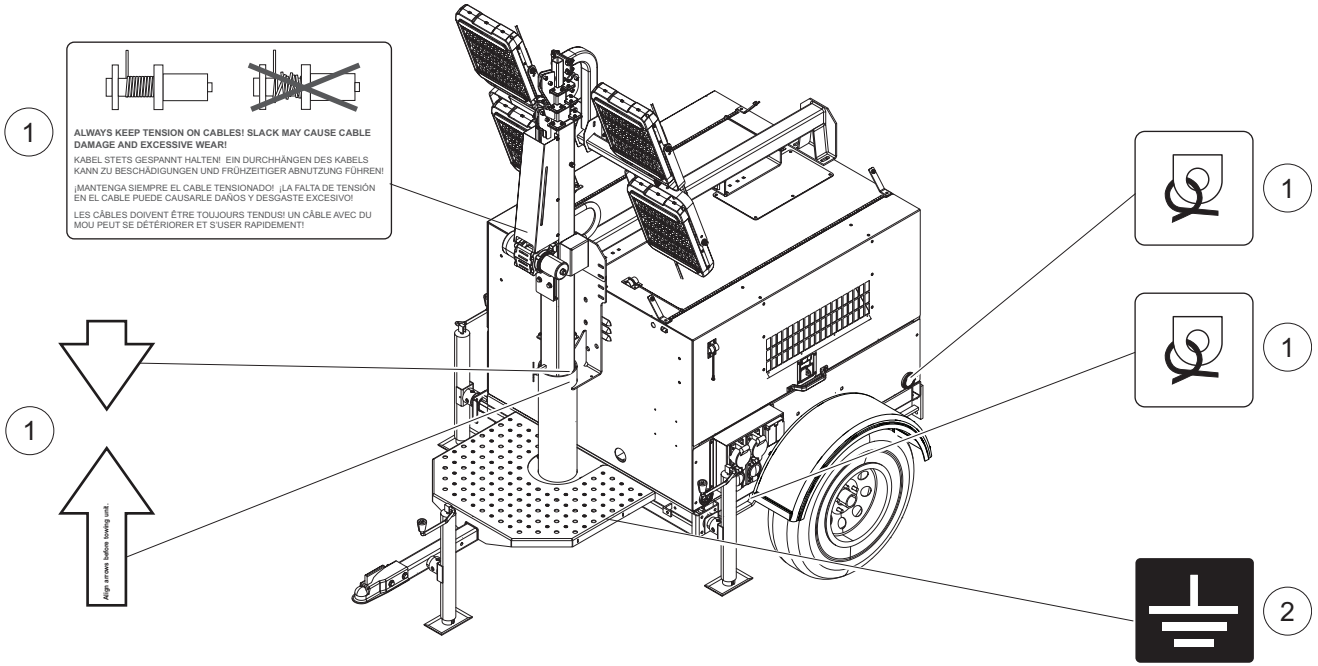


## VIN Tag

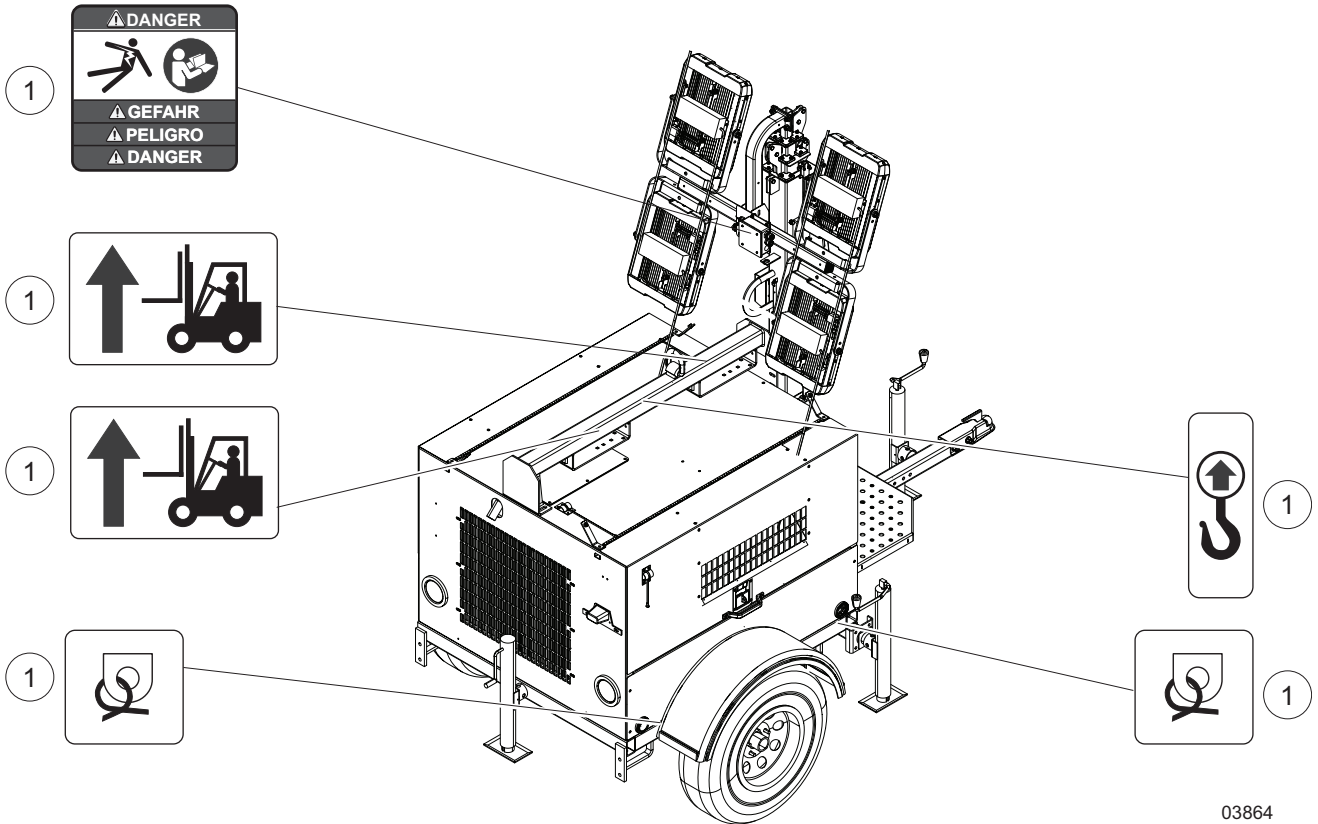
MANUFACTURED BY FARGOUE P&R, Generac Mobile Products LLC	DATE: 06/00		<b>THE AID LOADING INFORMATION</b> RESPECTEREMENTO DOBLE EJE PREZSE ETYLE CHARGEMENT
CONSTRUYENDO: 15042 0000000	COLO: 147 PREZSE PREZSE: 50		
GA/R: 01/02 TSE: 21/02 R/M: ANTE	CONF: A1/02C: 43/01/02/03/04/05/06/07/08/09/10/11/12/13/14/15/16/17/18/19/20/21/22/23/24/25/26/27/28/29/30/31/32/33/34/35/36/37/38/39/40/41/42/43/44/45/46/47/48/49/50/51/52/53/54/55/56/57/58/59/60/61/62/63/64/65/66/67/68/69/70/71/72/73/74/75/76/77/78/79/80/81/82/83/84/85/86/87/88/89/90/91/92/93/94/95/96/97/98/99/100	The weight of cargo should never exceed 2000KG (2000KG) Le poids des chargement ne doit jamais depasser 2000KG (2000KG).	
ADZ:		SEE CARESET INSTRUCTIONS FOR PROPER USAGE OF THIS PRODUCT	
VIN: 1A 0000000000000000	MODEL: XXX000		
	TYPE: TRAILER		

03863

# UNIT DECALS - EXTERIOR



	<b>TOWING INSTRUCTIONS</b> 1. Read operator's manual. 2. Use hitch rated for trailer's "gross vehicle weight rating". 3. Securely attach trailer to tow vehicle. 4. Attach safety chains using a cross pattern. 5. Attach breakdown chain to vehicle. 6. Check trailer lights.	<b>ABSCHLEPPANWEISUNGEN</b> 1. Benutzerhandbuch lesen. 2. Anhängervorrichtung verwenden, die der „Gesamtnettobringgewichtsklasse“ des Fahrzeuges entspricht. 3. Anhänger sicher am Abschleppfahrzeug befestigen. 4. Sicherheitsketten über Kreuz anbringen. 5. Anreizkette am Fahrzeug anbringen. 6. Anhängerleuchten prüfen.	<b>INSTRUCCIONES PARA REMOLQUE</b> 1. Lea el manual del operador. 2. Use un enganche adecuado para la "capacidad de peso bruto del vehículo" del remolque. 3. Enganche firmemente el remolque al vehículo de remolque. 4. Enganche las cadenas de seguridad en forma cruzada. 5. Enganche al vehículo la cadena de emergencia para averías. 6. Revise las luces del remolque.	<b>INSTRUCTIONS DE REMORQUAGE</b> 1. Lire le manuel de l'utilisateur. 2. Utiliser un attelage convenant au poids nominal brut de la remorque. 3. Attacher solidement la remorque au véhicule tracteur. 4. Fixer les chaînes de sécurité en les croisant. 5. Fixer la chaîne de remorquage au véhicule. 6. Vérifier les feux de la remorque.	



03864

## UNIT DECALS - EXTERIOR

---

<b>Item</b>	<b>Part No.</b>	<b>Qty</b>	<b>Description</b>	<b>Notes</b>
1	A0002871539	1	DECAL, SAFETY	
2	12142	1	DECAL, GROUND	

# UNIT DECALS - LEFT SIDE INTERIOR

**⚠ DANGER**

**⚠ GEFAHR**  
**⚠ PELIGRO**  
**⚠ DANGER**

**⚠ WARNING**

**⚠ WARNING**  
**⚠ ADVERTENCIA**  
**⚠ AVERTISSEMENT**

**⚠ WARNING**

**⚠ WARNING**  
**⚠ ADVERTENCIA**  
**⚠ AVERTISSEMENT**

**⚠ DANGER**

Contact with overhead electrical power lines will cause serious injury or death. Do not position light tower under electrical power lines.

**⚠ GEFAHR**

Der Kontakt mit elektrischen Hochspannungsleitungen kann zu schweren oder lebensgefährlichen Verletzungen führen. Den Beleuchtungswagen nie direkt unter Hochspannungsleitungen aufstellen.

**⚠ PELIGRO**

El contacto con las líneas eléctricas elevadas podría causar lesiones serias o la muerte. No posicione la torre de iluminación debajo de líneas eléctricas.

**⚠ DANGER**

Le contact avec des câbles électriques suspendus causera des blessures graves ou la mort. Ne pas positionner la tour lumineuse sous des câbles électriques.

**⚠ WARNING**

Do not set up unit in high wind or during electrical storms! Check for overhead obstructions before using!

**⚠ WARNING**

Die Einheit nicht bei hohem Wind oder bei Gewittern einrichten! Vor Gebrauch auf über Kopf befindliche Hindernisse achten!

**⚠ ADVERTENCIA**

¡No monte la unidad si hay viento fuerte ni durante tormentas eléctricas! ¡Revise las obstrucciones elevadas antes de usar!

**⚠ AVERTISSEMENT**

Ne pas installer l'appareil par vents violents ou lorsqu'il y a un orage! Vérifier l'absence d'obstacles en hauteur avant l'utilisation!

**ENGINE OPERATION / MOTORBETRIEB / FUNCIONAMIENTO DEL MOTOR / FONCTIONNEMENT DU MOTEUR:**

**1 BEFORE STARTING THE ENGINE / VOR DEM STARTEN DES MOTORS / ANTES DE FAIRE DEMARRER EL MOTOR / AVANT DE FAIRE DEMARRER LE MOTEUR:**

1. CHECK FUEL LEVEL. TREIBSTOFFSTAND PRÜFEN. VERIFIEZ LE NIVEAU DE COMBUSTIBLE. VÉRIFIEZ LE NIVEAU D'ESSENCE.	3. CHECK COOLANT LEVEL. KÜHLMITTELSTAND PRÜFEN. VERIFIEZ LE NIVEAU DES RÉFRAIGÉRANTS. VÉRIFIEZ LE NIVEAU DE LIQUIDE DE RÉFROIDISSEMENT.
2. CHECK ENGINE OIL LEVEL. MOTORÖLSTAND PRÜFEN. VERIFIEZ LE NIVEAU DE L'ACIER DU MOTEUR.	4. MAKE SURE MAIN CIRCUIT BREAKER IS OFF. WISSENSCHAFTLICH SICH SICHER, DASS DER HAUPTTRENNSCHALTER AUSGESCHALTET IST. ASSUREZ-SE QUE LE CONTACTEURS PRINCIPAL EST DÉSACTIVÉ.

**2 ALL CIRCUIT BREAKERS OFF! / ALLE TRENNSCHALTER SIND AUSGESCHALTET! / TODOS LOS CORTACIRCUITOS ESTÁN APAGADOS! / TOUS LES DISJONCTEURS DU CIRCUIT SONT DÉSACTIVÉS!**

**3 START ENGINE / MOTOR STARTEN / ENCIENDA EL MOTOR / FAIRE DEMARRER LE MOTEUR:**

ACTIVATE GLOW PLUGS SOZIGENDE ANFÄHREN ACTIVER LES BILLES DE CHAUFFAGE ACTIVER LES BILLES DE PRÉCHAUFFAGE	CRANK ENGINE TO START MOTOR ZUM STARTEN MIT FÜHLENDEINWIRKUNG POSSA ENTENDIMENTO DO MOTOR PARA DE ARRANQUE	RELEASE KEY SCHLÜSSEL FREILEGEN RELÂCHER LA CLÉ
--	--	---

**4 TURN CIRCUIT BREAKERS ON / TRENNSCHALTER EINSCHALTEN / ENCIENDA LOS CORTACIRCUITOS / ACTIVER LES DISJONCTEURS DU CIRCUIT**

**SHUT DOWN / AUSSCHALTEN / APAGUE / ÉTEINDRE**

**5 ALL CIRCUIT BREAKERS OFF! / ALLE TRENNSCHALTER SIND AUSGESCHALTET! / TODOS LOS CORTACIRCUITOS ESTÁN APAGADOS! / TOUS LES DISJONCTEURS DU CIRCUIT SONT DÉSACTIVÉS!**

**6 STOP ENGINE / MOTOR STOPPEN / DETENGA EL MOTOR / ÉTEINDRE LE MOTEUR**

**⚠ WARNING**

Read and understand the supplied operator's manual before operating this machine. Failure to do so increases the risk of injury to yourself or others.

**⚠ WARNING**

Vor dem Betrieb dieser Maschine muss das Bedienerhandbuch gelesen und verstanden worden sein. Ein Unterlassen erhöht das eigene Verletzungsrisiko und das anderer.

**⚠ ADVERTENCIA**

Lea y asegúrese de comprender el manual del operador proporcionado antes de operar esta máquina. De lo contrario, aumentará el riesgo de lesiones a usted y a otras personas.

**⚠ AVERTISSEMENT**

Lire et comprenez le manuel de l'utilisateur fourni avec l'appareil avant de l'utiliser. L'omission de le faire augmente le risque de blessure pour vous et pour les autres.

**⚠ WARNING**

**⚠ WARNING**  
**⚠ ADVERTENCIA**  
**⚠ AVERTISSEMENT**

**NOTICE**

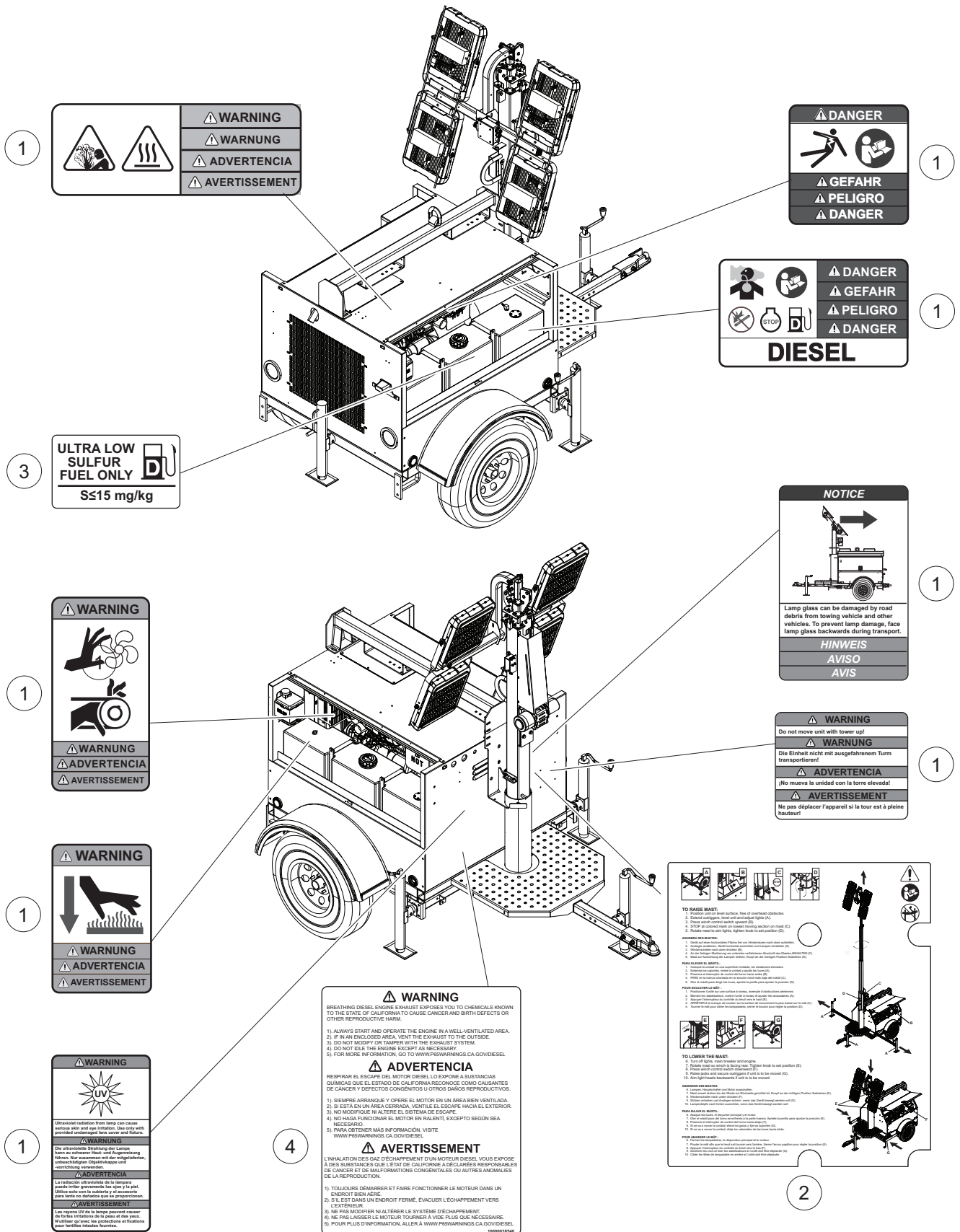
REPLACE ENGINE OIL FILTER AFTER INITIAL 50 HOUR BREAK-IN WITH FILTER PART NUMBER: 1000014392

## UNIT DECALS - LEFT SIDE INTERIOR

---

Item	Part No.	Qty	Description	Notes
1	A0002871539	1	DECAL, SAFETY	
2	10000014196	1	DECAL, 50 HOUR OIL FILTER	

# UNIT DECALS - RIGHT SIDE INTERIOR



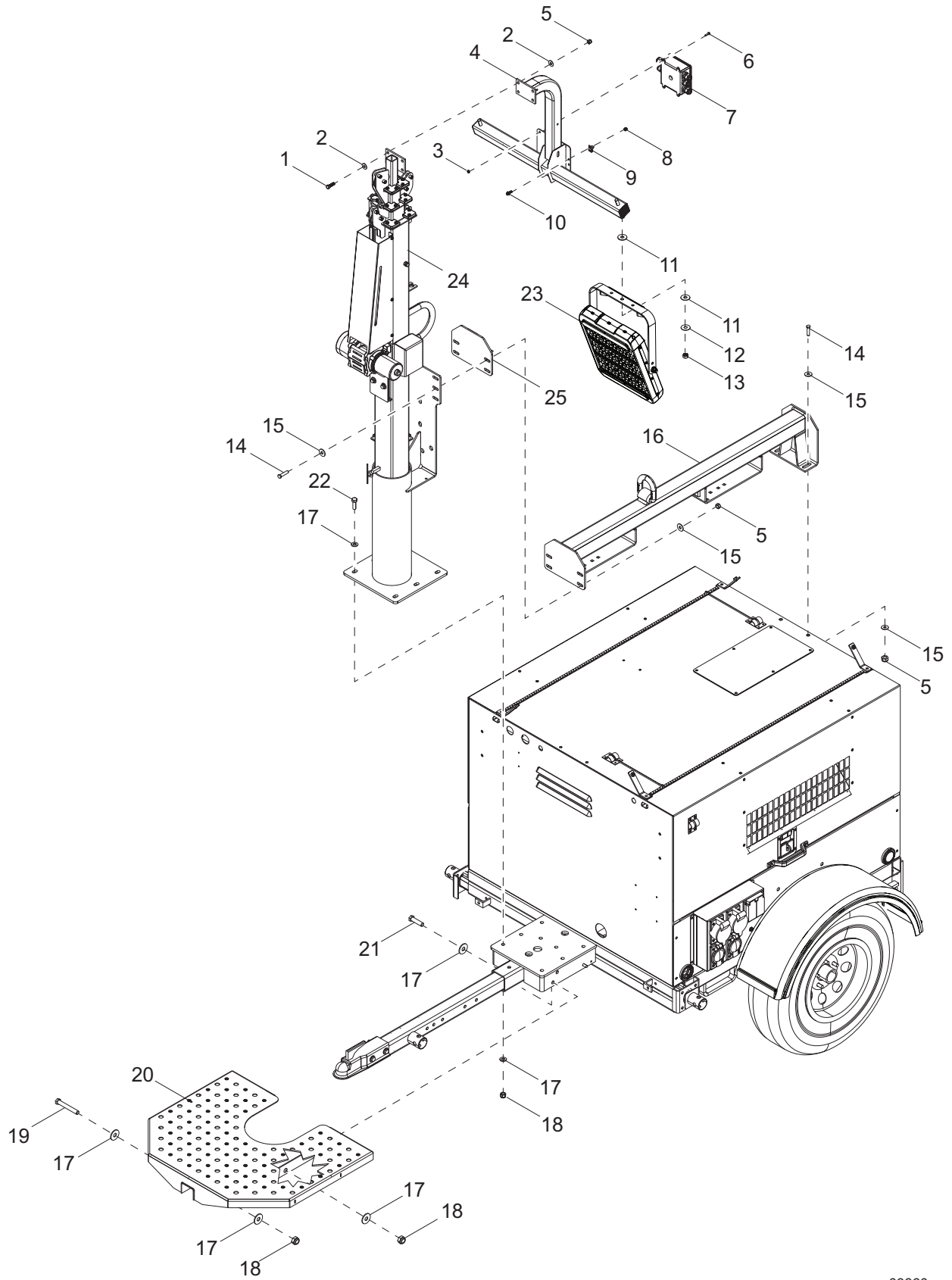


## UNIT DECALS - RIGHT SIDE INTERIOR

---

Item	Part No.	Qty	Description	Notes
1	A0002871539	1	DECAL, SAFETY	
2	A0002871523	1	DECAL, MAST SET-UP	
3	27433	1	DECAL, ULTRA-LOW SULFUR	
4	10000038540	1	DECAL, PROP 65	

# MAST, JUNCTION BOX AND LIGHTS TO UNIT

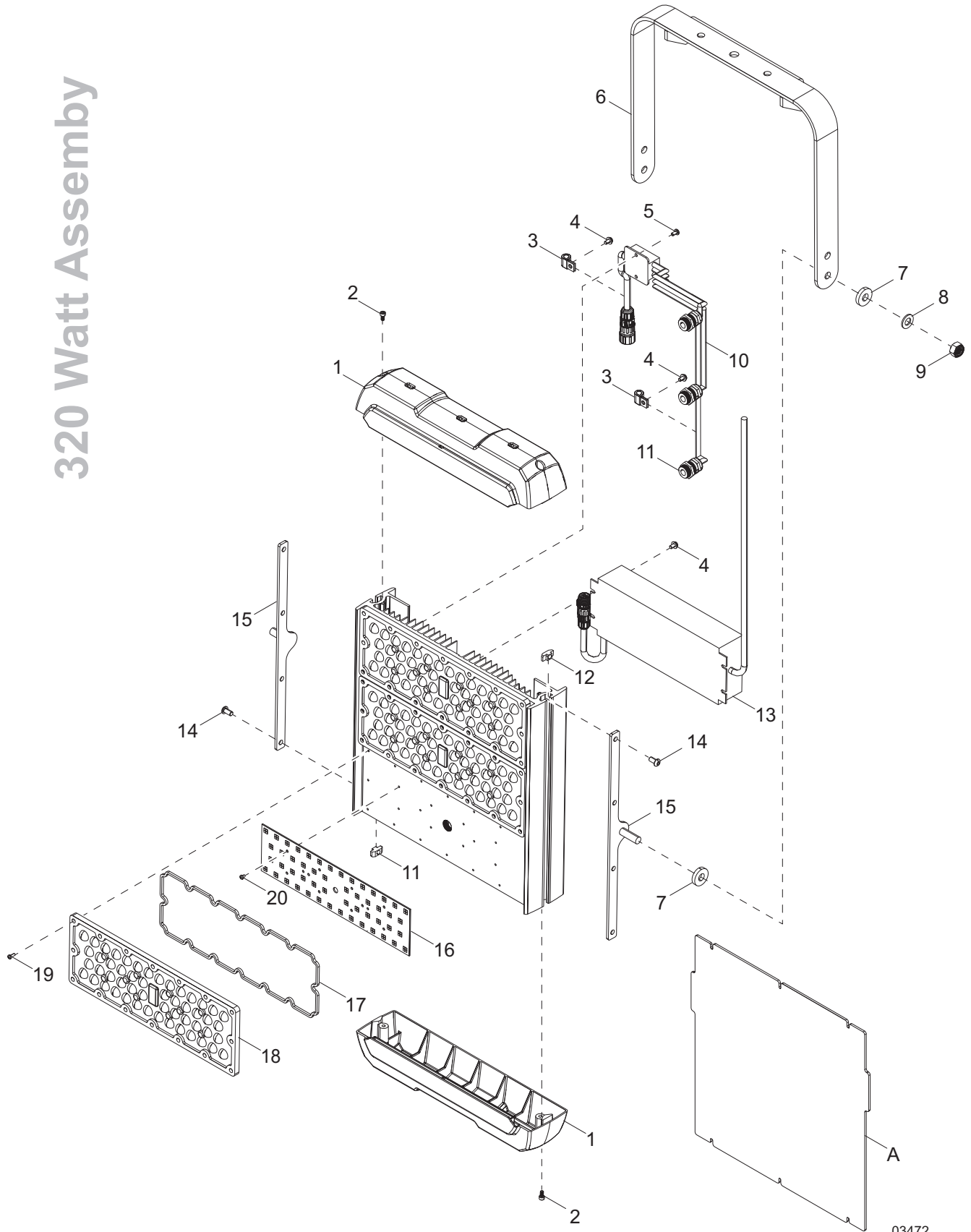


03860

## MAST, JUNCTION BOX AND LIGHTS TO UNIT

Item	Part No.	Qty	Description	Notes
1	60352	4	SCREW, .375-16 X 1.125 STANDARD HEX, G5	
2	60386	8	WASHER, .375 FLAT .993/.064	
3	60061	4	NUT, 10-32 NYLOCK	
4	A0000199129	1	WELDMENT MAST CROSSARM	
5	60358	10	NUT, .375-16 NYLOCK, G5	
6	60424	4	SCREW, 6-32X.750 PAN PHIL G2 SELF THREAD	
7	10000032430	1	ASSY JUNCTION BOX MAST 4 LT	
8	60787	1	NUT, .250-20 NYLOCK - SS	
9	60375	1	CLAMP, TUBING .312 LIGHT DUTY	
10	60107	1	SCREW, .250-20 X .750 SERRATED FLANGE HEX,	
11	A0000221212	8	WASHER, FLAT M12 X 37OD X 1.50 - NYLON	
12	G052259	4	WASHER, M12 FLAT	
13	60305	4	NUT, M12-1.75 NYLOCK, G8	
14	61036	4	SCREW, .375-16 X 1.25 STANDARD HEX, SS	
15	60698	12	WASHER, .375 FLAT .875/.040, SS	
16	A0001214536	1	WELDMENT, LIFT SUPPORT - VERTICAL MAST	
17	60309	12	WASHER, .500 FLAT 1.060/.090	
18	62221	9	NUT, .500-13 NYLOCK, G5	
19	50215	2	SCREW, .500-13 X 4.0 STANDARD HEX, G5	
20	A0002741722	1	STB WELDMENT, STEP PLATFORM	
21	60388	2	SCREW, .500-13 X 1.50 STANDARD HEX, G5	
22	60683	6	SCREW, .500-13 X 1.50 STANDARD HEX, SS	
23	A0000987984	4	ASSY LED LIGHT HARDWIRE 320W	
24	A0002746777	1	MAST GROUP BLK VERT ELEC - 4000 LED	
25	A0003272382	1	STB SPACER MAST LIFT SUPPORT	

320 Watt Assembly



03472

## LED LIGHT ASSEMBLY

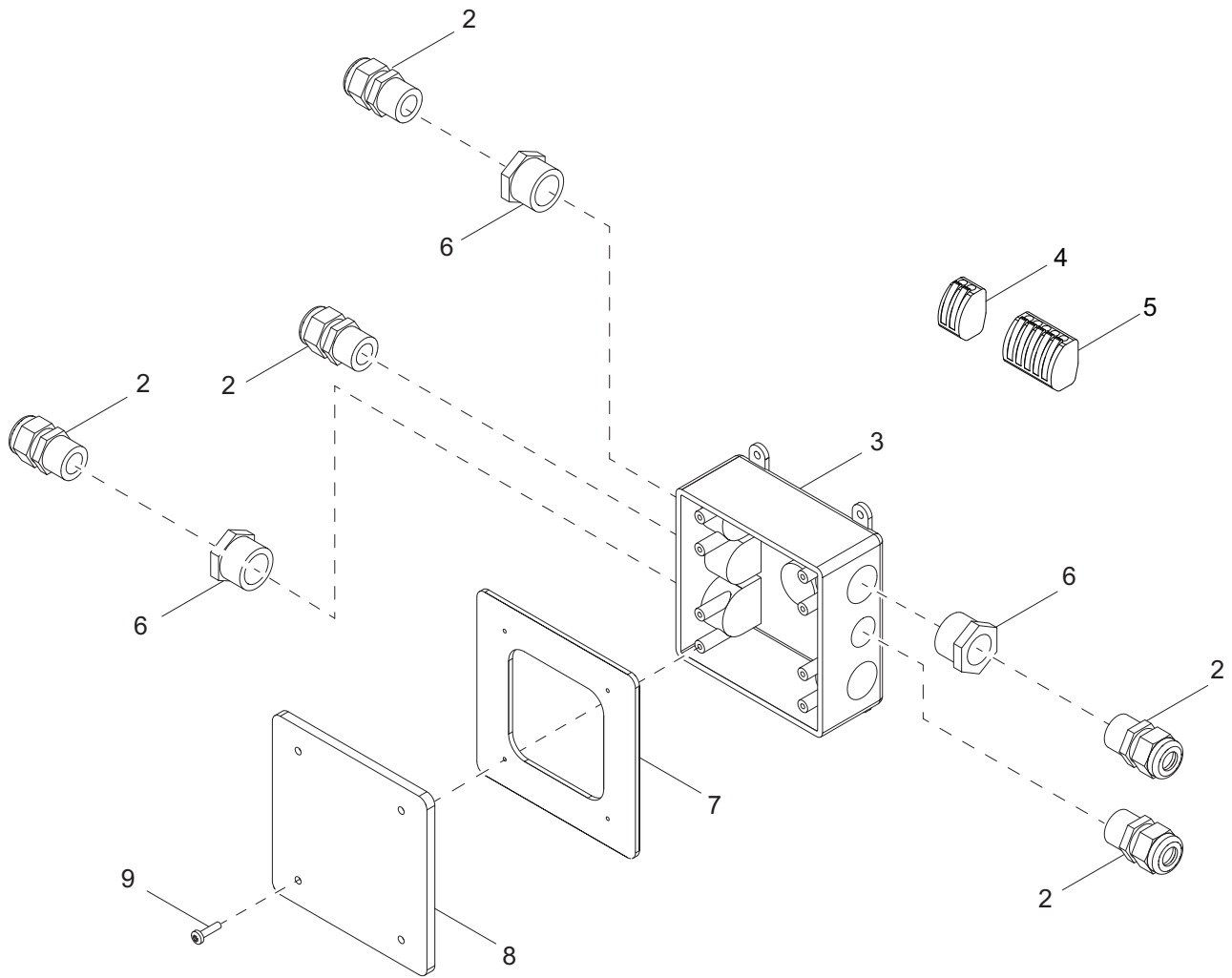
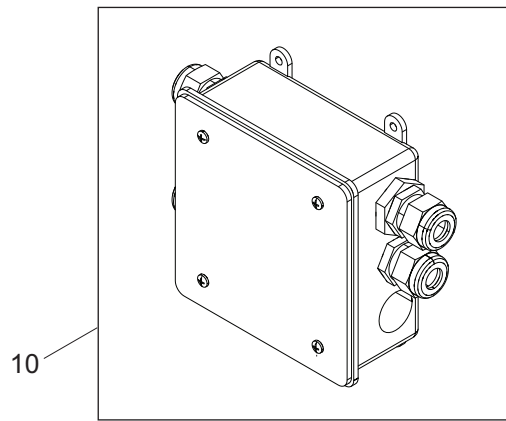
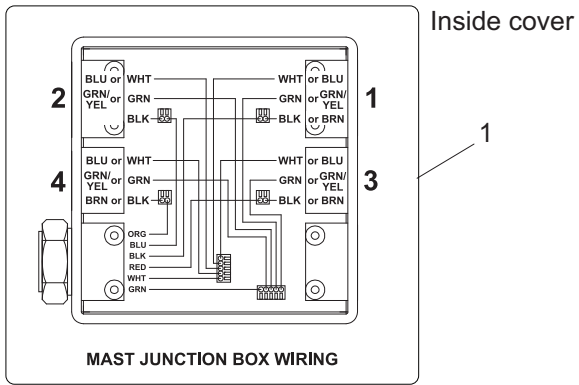
Item	Part No.	Qty	Description	Notes
1	A0000092362	2	END CAP, WITH DIFFUSER SLOT	
2	A0000188756	4	SCREW, M4-.7 X 12	
3	G020151	2	CLAMP, .312 X .302 - STEEL/VINYL	
4	0G7070	6	SCREW, M4-.7 X 14 PPHM	
5	G020745	2	SCREW, M4-.7 X 12 PPHM	
6	A0000416868	1	BRACKET, TRUNNION - 320W	
7	A0000188752	4	WASHER, M10 ID X 25MM OD X 5 MM T	
8	60027	2	WASHER, M10 FLAT	
9	A0000009451	2	NUT, M10-1.50 NYLOCK, G8.8	
10	A0000188731	1	CABLE, 2 POSITION, 3 WAY SPLITTER	
11	A0000092266	3	STRAIN RELIEF, 320W LED	
12	A0000188739	8	NUT, M6-1.00 X 12 HAMMER	
13	A0000188779	1	ASSEMBLY, DRIVER WITH CONNECTOR	
14	A0000214354	8	SCREW, M6-1.0 X 12 BHSC - BLACK	
15	A0000095202	2	BRACKET, TRUNNION TO FRAME	
16	A0000092359	3	LED, PCB POPULATED 3030	
17	A0000092361	3	GASKET, OPTICAL LENS SEAL	
18	A0000092360	3	LENS, OPTICAL 60°	
19	A0000192578	48	SCREW, MOUNTING - OPTICAL LENS	
20	A0000192575	30	SCREW, MOUNTING - PCB	

### OPTIONAL FEATURES

#### *Diffused Lighting (If equipped):*

A	A0000095669	1	KIT, DIFFUSER LENS 320W - LED
--	A0000277071	1	KIT, DIFFUSER LENS STORAGE 320W - LED

# MAST JUNCTION BOX ASSEMBLY

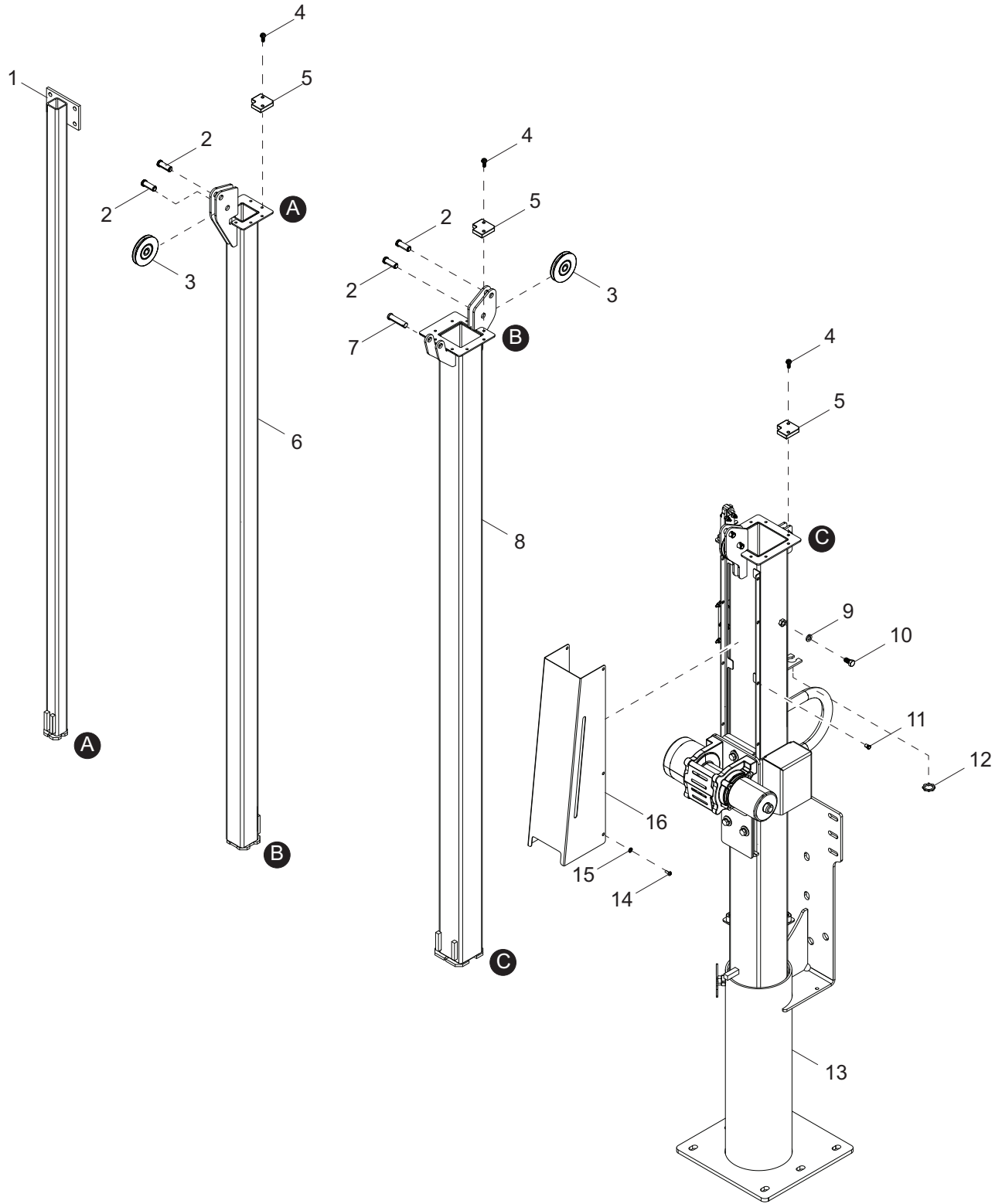


03475

## MAST JUNCTION BOX ASSEMBLY

Item	Part No.	Qty	Description	Notes
1	10000023482	1	DECAL, MAST JUNCTION BOX WIRING	
2	15864	5	STRAIN RELIEF, .500NPT WATER TIGHT	
3	12094	1	BOX, JUNCTION	
4	66100	4	CONNECTOR, 2 POSITION.	
5	66102	2	CONNECTOR, 5 POSITION.	
6	60755	2	FITTING, STRT .750MNPT X .500FNPT, NYLON	
7	13749SRV	1	GASKET, JUNCTION BOX - HFI 281000	
8	12109	1	COVER, BOX, 2-GANG PLASTIC	
9	60424	4	SCREW, 6-32 X .750 PAN PHILLIPS, G2	
10	A0001533483	1	ASSEMBLY, MAST JUNCTION BOX	

# MAST ASSEMBLY



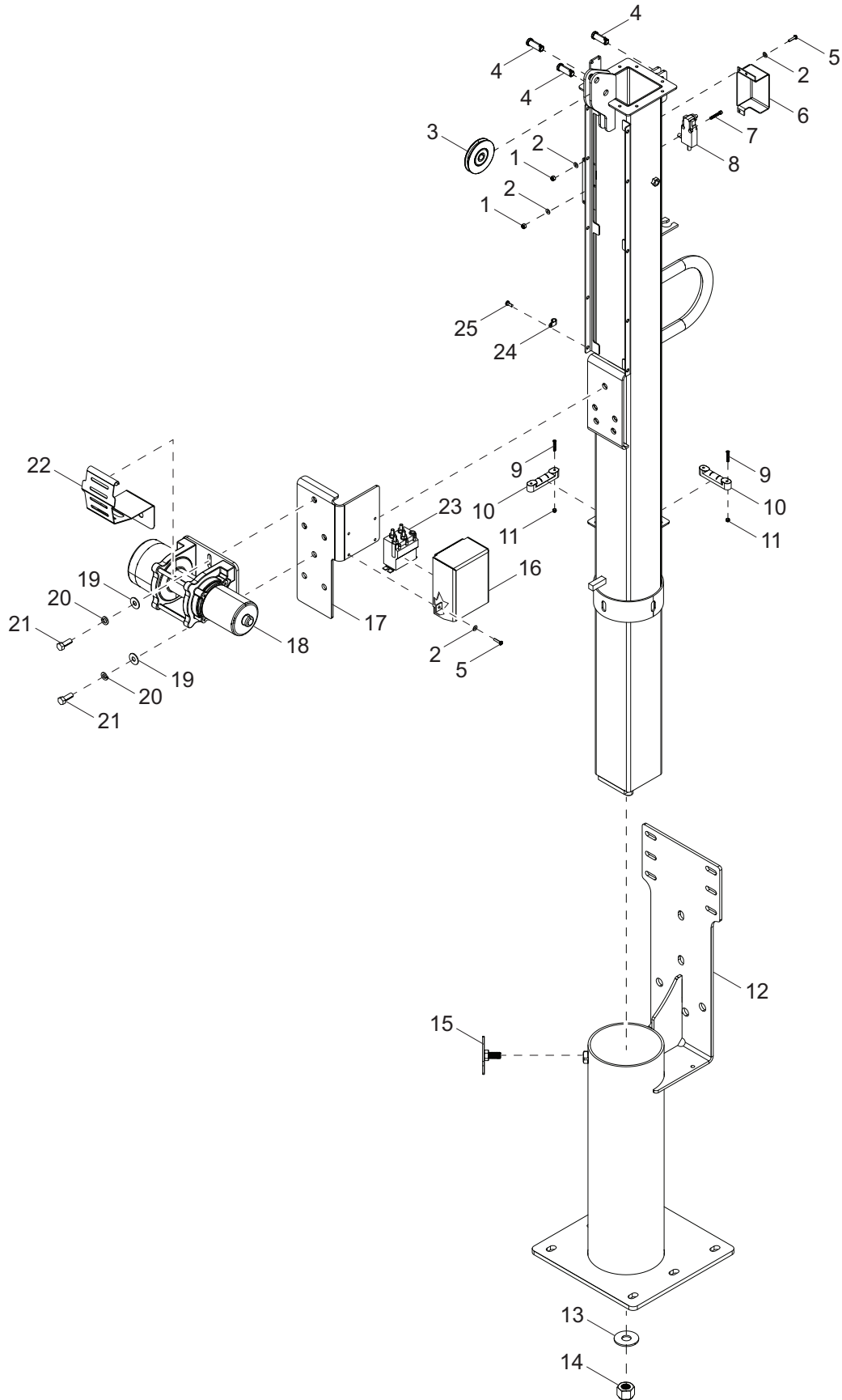
03859



## MAST ASSEMBLY

Item	Part No.	Qty	Description	Notes
1	31264B	1	WELDMENT, MAST - 1.50	
2	63325	4	PIN, CLEVIS- .500 DIA X 1.063 UL, ZP	
3	33736	2	ASSY, PULLEY VERTICAL MAST	
4	63358	24	SCREW, .250-20X.625 HX WASH HD ZC	
5	31225	12	GUIDE	
6	31261B	1	WELDMENT, MAST - 2.25	
7	35655	1	PIN, CLEVIS- .500 DIA X 1.75 ZP(SLIC)	
8	A0002848667	1	STB WELDMENT MAST 3.00	
9	60703	1	WASHER, .375 SPLIT LOCK 18-8 SS	
10	62269	1	SCREW, .375-16X.75 STD HEX 18-8 SS, RED	
11	32922	6	INSERT, THD #10-32 SPLINED .020-.130 GR	
12	15861	1	NUT, SPECIAL, .500 NPT LOCK (LN101SC)	
13	A0002749456	1	STB WELDMENT MAST 4.00	
14	60398	6	SCREW, 10-32X.500 PAN PHIL 18-8 SS	
15	60067	6	WASHER, #10 FLAT .435/.060 18-8 SS	
16	A0002860610	1	STB CABLE GUARD, ELECTRIC WINCH	
--	39650	1	COIL CORD, 120 IN TAIL	
--	31247	1	CABLE - .188IN X 144 IN W/ BALL SWEDGE	Attaches to item 1
--	31248	1	CABLE - .188IN X 79.75IN W/BALL SWEDGE RED,	Attaches to item 6
--	31277	1	CABLE- .188IN X 78.00IN W/ BALL SWEDGE BLU	Attaches to item 8

# MAST ASSEMBLY - BOTTOM POST

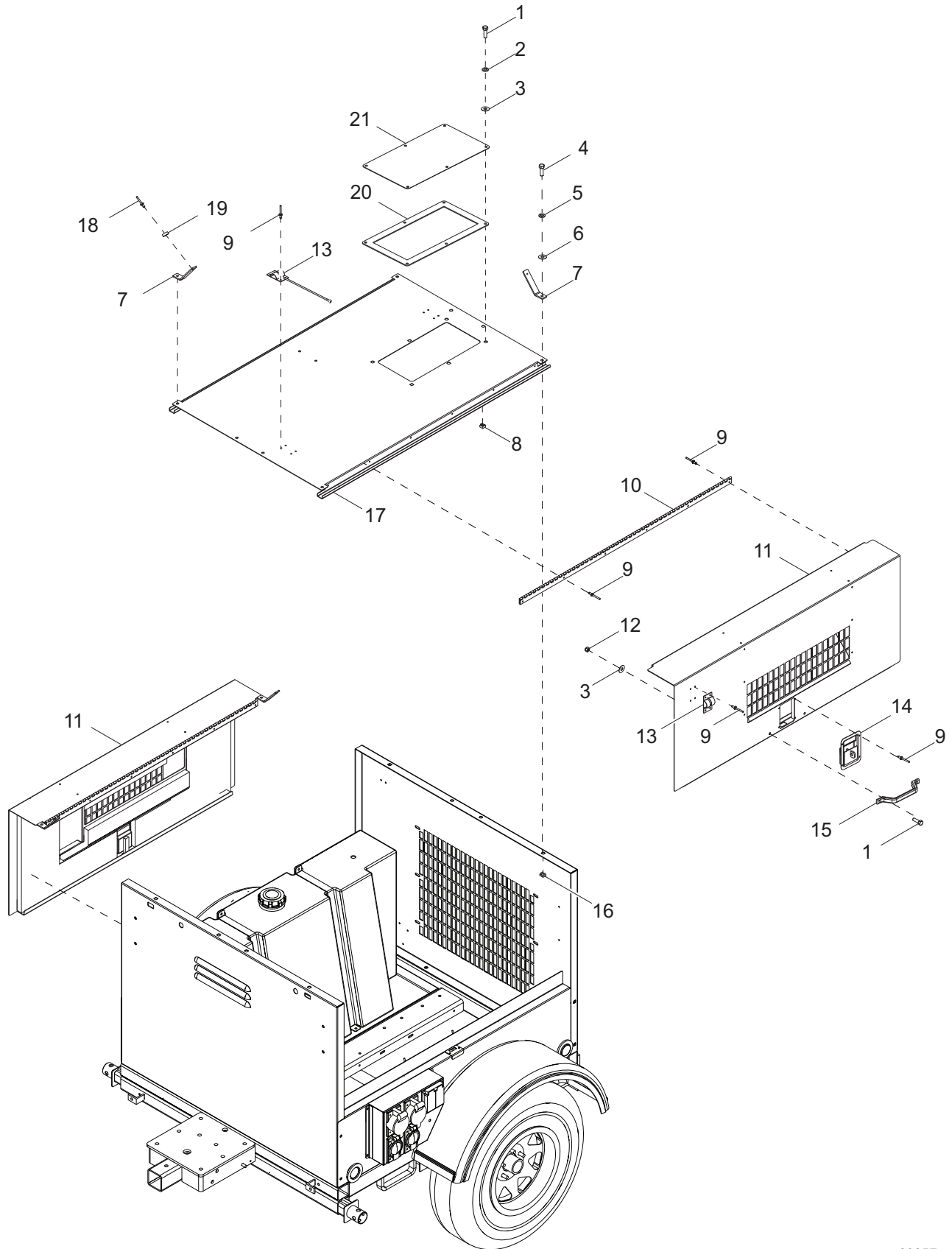


03858

## MAST ASSEMBLY - BOTTOM POST

Item	Part No.	Qty	Description	Notes
1	60270	9	NUT, 8-32 NYLK CLASS 6 ZC	
2	60269	14	WASHER, #8 FLAT .433/.036 ZC	
3	33736	1	ASSY, PULLEY VERTICAL MAST	
4	63325	3	PIN, CLEVIS- .500 DIA X 1.063 UL	
5	60244	5	SCREW, 8-32X.750 PAN PHIL G2 ZC	
6	37205B	1	COVER, UP LIMIT SWITC	
7	67190	2	SCREW, 8-32x1.125 SOC HEX 18-8 SS	
8	31739	1	ASSY, UP STOP SWITCH MLT6S/8S	
9	A0000945464	4	SCREW PFHM M4-0.7 X 25 18-8 SS	
10	A0000764090	2	LEVEL- SPIRIT	
11	60051	4	NUT, M4-.70 NYLK G8.8 ZC DIN985	
12	A0002741745	1	STB WELDMENT, 4INCH MAST ROTATION TUB	
13	60247	1	WASHER, .750 FLAT 2.020/.130 ZC	
14	60584	1	NUT, .750-10 NYLK G5 YELLOW ZINC	
15	10000018317	1	STZY WELDMENT T HANDLE	
16	A0002848659	1	ALB COVER, CONDUCTOR	
17	A0002848669	1	STB WELDMENT PLATE, WINCH MOUNTING	
18	12874	1	WINCH, ELEC - 770LB HOIST (WARN DC800)	
19	60386	6	WASHER, .375 FLAT .993/.064 ZC	
20	60206	6	WASHER, .375 SPLIT LOCK HARDENED ZC	
21	60205	6	SCREW, .375-16X1.000 STD HEX G5 ZC	
22	A0002851411	1	STB COVER, ELECTRIC WINCH	
23	11293	1	CONTACTOR, 12V ELECTRIC WINCH	
24	60375	2	CLAMP, TUBING - .312 LT DUTY	
25	60268	2	RIVET, .188 DIA X .126 TO .250 GRIP SS	
--	10770	1	ASSY, WIRE - COIL CORD GROUND EXTENSION	
--	31742	1	WIRE GROUP, ELECTRIC WINCH BOX, MLT6S/8S	
--	31743	1	HARNESS, WINCH POWER CABLES, MLT6S/8S	
--	A0003272208	1	HARNESS, ELEC MAST CNTRL MLT4000	

# ROOF AND DOORS TO UNIT

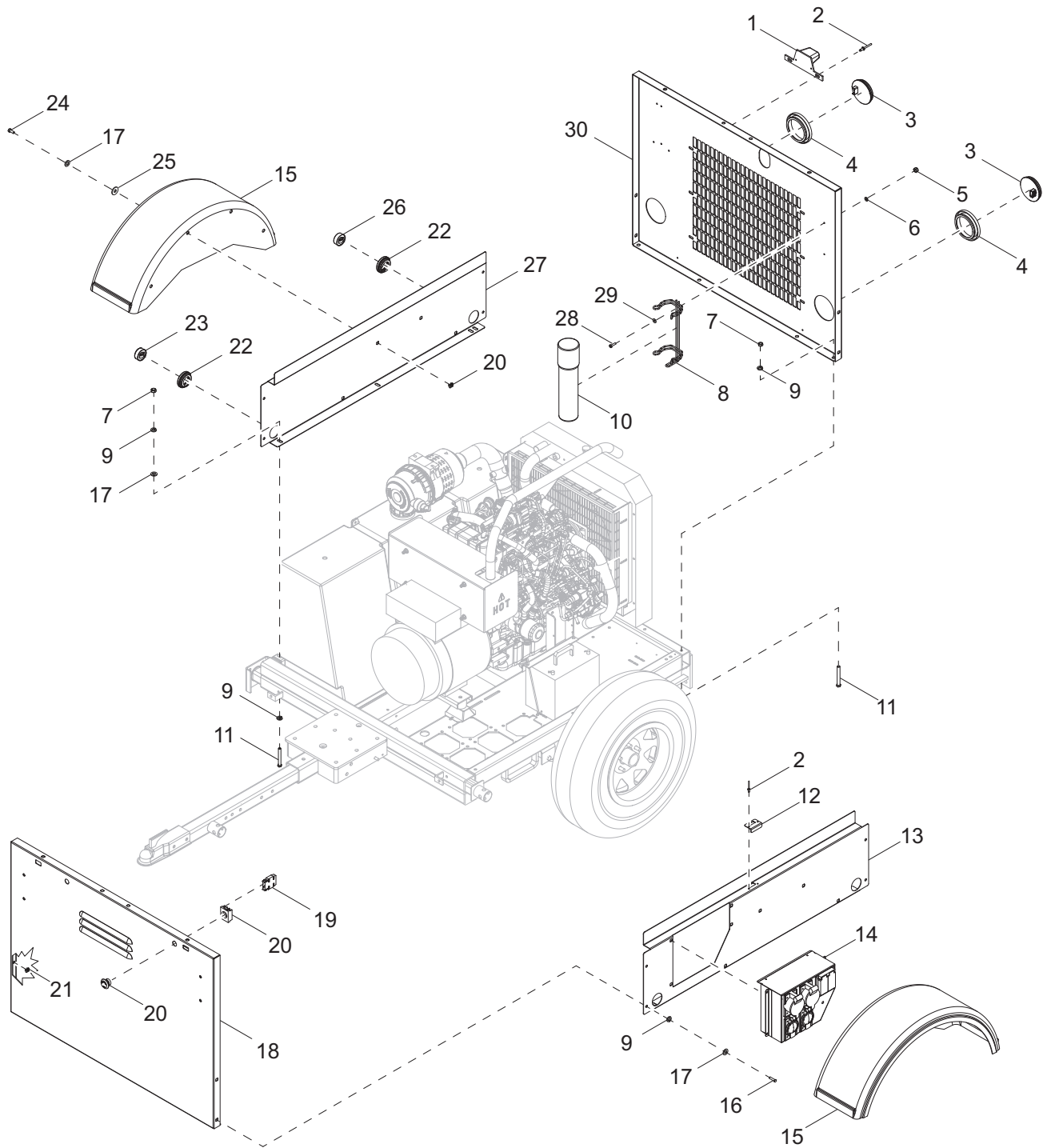


03857

## ROOF AND DOORS TO UNIT

Item	Part No.	Qty	Description	Notes
1	60507	14	SCREW, .312-18 X 1.0 STD HEX, SS	
2	60701	6	WASHER, .312 SPLIT LOCK 18-8 SS	
3	60340	10	WASHER, .312 FLAT .875/.040, SS	
4	60690	4	SCREW, .375-16 X 1.0 STD HEX, SS	
5	60703	4	WASHER, .375 SPLIT LOCK, SS	
6	60698	4	WASHER, .375 FLAT .875/.040, SS	
7	62779B	4	BRACKET, DOOR STOP	
8	15425	6	NUT, .312-18 CAGE	
9	60268	48	RIVET, .188 DIAMETER X .126 TO .250 GRIP	
10	16598	2	HINGE, DOOR - .188 PIN, 48.5 LONG	
11	31365	2	ASSEMBLY, DOOR	
12	60303	4	NUT, .312-18 NYLOCK, G2	
13	62278	2	LATCH, DOOR	
14	A0000278989	2	LATCH PADDLE W/7LB SPRING LONG LOCK	
15	26288	2	HANDLE, FRONT ACCESS	
16	60657	4	NUT, .375-16 CAGE, G5	
17	35969W	1	PANEL, ROOF W/ ACCESS HOLE	
18	60863	4	RIVET, .156 DIAMETER X .251 TO .375 GRIP	
19	15215	4	BUMPER, RUBBER	
20	12195	1	GASKET, BACK ACCESS PLATE	
21	25333W	1	PANEL, BACK ACCESS	

# FRONT, REAR AND SIDE PANELS TO UNIT

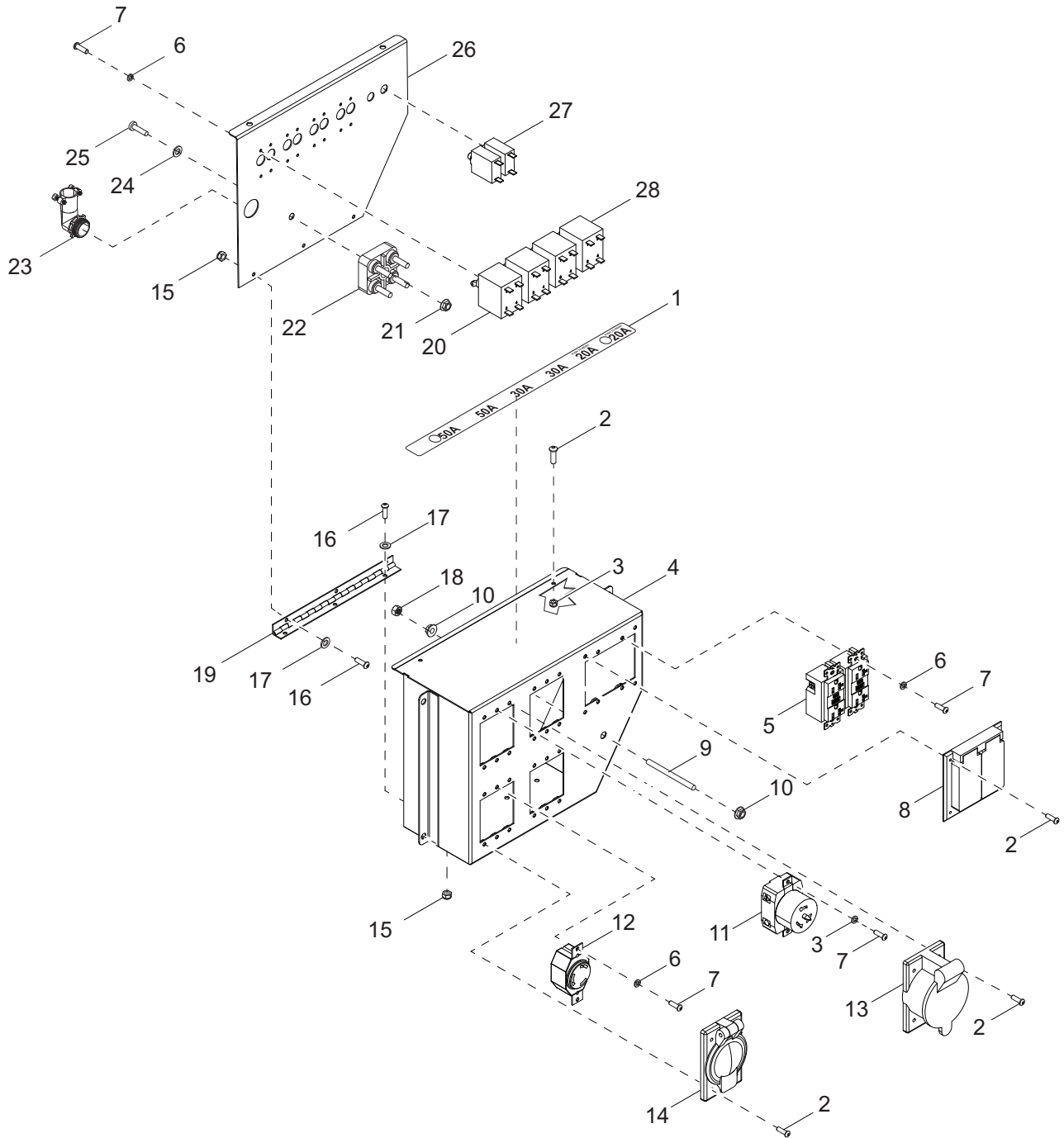


03856

## FRONT, REAR AND SIDE PANELS TO UNIT

Item	Part No.	Qty	Description	Notes
1	10223	1	ASSEMBLY, LICENSE PLATE HOLDER	
2	60423	6	RIVET, .188 DIAMETER X .250 TO .375 GRIP	
3	66701	2	LIGHT, REAR TAIL/TURN, ROUND 4.0 IN., NO GROMMET - LED	
4	10221	2	GROMMET, REAR LIGHT, RUBBER 4.50 IN	
5	60038	2	NUT, M5-.80 NYLOCK	
6	60067	2	WASHER, #10 FLAT .435/.060, SS	
7	60140	10	NUT, .375-16 STD HEX, G5	
8	11222	1	BRACKET, MANUAL HOLDER	
9	60698	18	WASHER, .375 FLAT .875/.040, SS	
10	11121	1	MANUAL HOLDER TUBE	
11	60689	10	SCREW, .375-16 X 4.0 STD HEX, SS	
12	13291	2	PLATE, STRIKER	
13	31370	1	PANEL, LEFT SIDE	
14	<a href="#">Page 22</a>	1	ASSEMBLY, RECEPTACLE BOX	
15	11381	2	FENDER, PLASTIC - 14 IN	
16	60690	8	SCREW, .375-16 X 1.0 STD HEX, SS	
17	60703	16	WASHER, .375 SPLIT LOCK, SS	
18	A0002057628	1	STW PANEL FRONT	
19	65472	1	BLOCK, E-STOP CONTACTOR - NC/NO	
20	65470	1	SWITCH, E-STOP	
21	60657	32	NUT, .375-16 CAGE, G5	
22	66394	4	GROMMET, SEALED BEAM LIGHT	
23	66702	2	LIGHT, CLEARANCE, 2.0 IN., NO GROMMET - AMBER LED	
24	60295	8	SCREW, .375-16 X .750 STD HEX, SS	
25	60386	8	WASHER, .375 FLAT .993/.064	
26	66703	2	LIGHT, CLEARANCE, 2.0 IN., NO GROMMET - RED LED	
27	31372	1	PANEL, RIGHT SIDE	
28	60446	2	SCREW, M5-.80 X 20 PAN PHILLIPS, SS	
29	60089	2	WASHER, .265 FENDER 1.250/.060	
30	35971W	1	PANEL, REAR	

# RECEPTACLE BOX ASSEMBLY



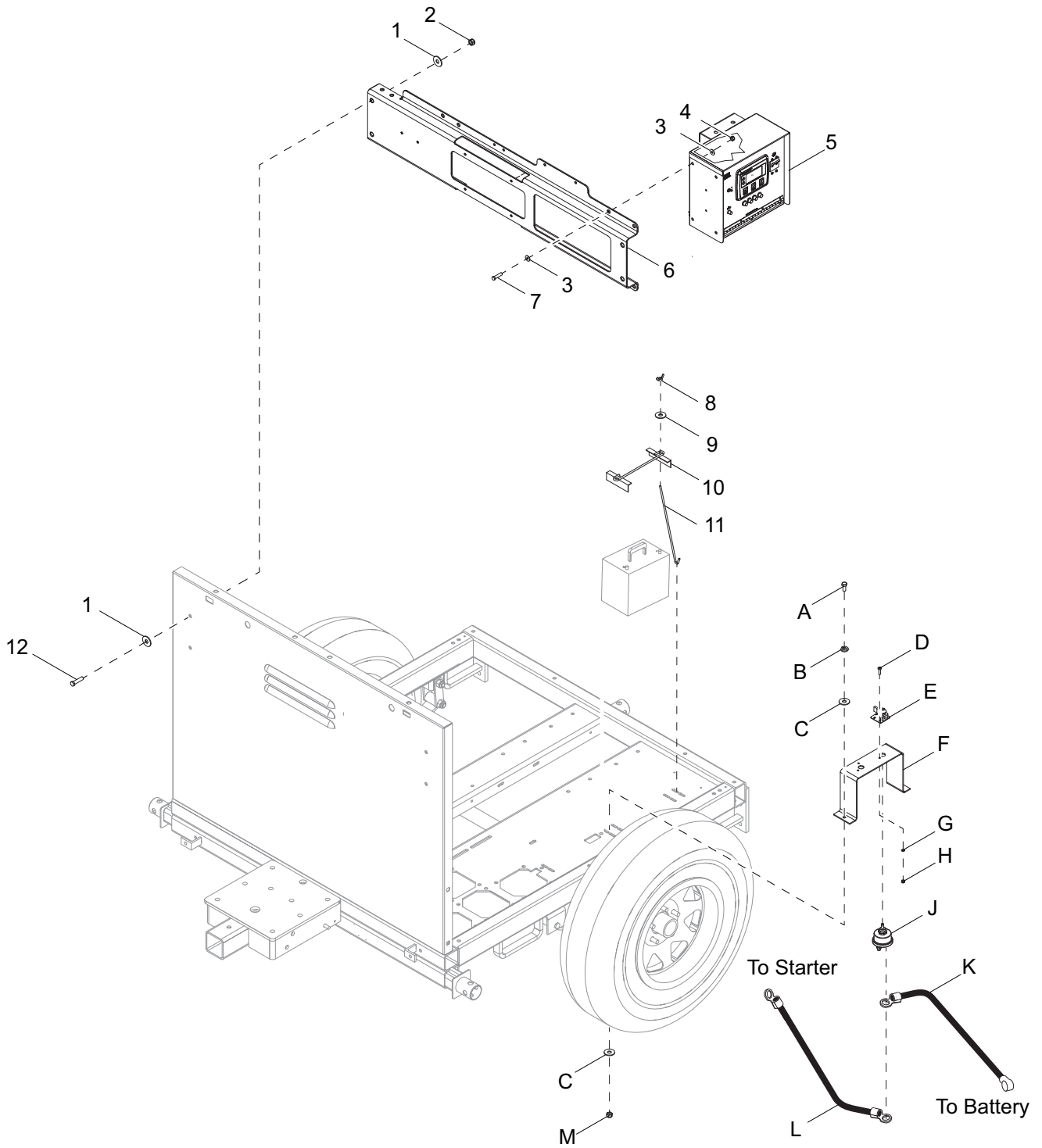
03855



## RECEPTACLE BOX ASSEMBLY

Item	Part No.	Qty	Description	Notes
1	10792	1	DECAL, AUX BREAKERS - 50,50,30,30,20,20	
2	60770	20	SCREW, M4-.70 X 20 PAN PHILLIPS, G4.8	
3	60051	2	NUT, M4 -.70 NYLOCK, G8.8	
4	10783W	1	WELDMENT, RECEPTACLE BOX	
5	14130	2	RECEPTACLE, 120V/20A GFI (5-20R)	
6	60058	16	WASHER, #6 SPLIT LOCK	
7	60405	16	SCREW, 6-32 X .250 PAN PHILLIPS, G2	
8	15849	1	COVER, RECEPTACLE - 20A GFCI DUAL	
9	63241	1	STUD, .312-18 X 3.00, G5	
10	60095	2	NUT, .312-18 SERRATED FLANGE	
11	18089	2	RECEPTACLE, 240V/50A TWIST-LOCK	
12	14137	2	RECEPTACLE, 250V/30A TWIST (L6-30R)	
13	65460	2	COVER, RECEPTACLE - 20/30A TWIST-LOCK	
14	65467	2	COVER, RECEPTACLE - 50A TWIST (DEEP)	
15	60038	6	NUT, M5-.80 NYLOCK	
16	60044	6	SCREW, M5-.80 X 12 PAN PHILLIPS, G4.8	
17	60041	6	WASHER, M5 FLAT	
18	60285	4	NUT, .312-18 HEX, G2	
19	10784	1	HINGE, PIANO - 9 IN	
20	65492	2	BREAKER, 50A, 250V, 2-POLE W/AUX	
21	14231	1	NUT, 10-32 HEX, G2	
22	65519	1	BLOCK, TERMINAL - 4 POLE STUD TYPE	
23	65535	1	CLAMP, 90 DEGREE 3/4 IN	
24	60237	1	WASHER, #10 FLAT .495/.036	
25	61180	1	SCREW, M8-1.25 X 30 SERRATED FLANGE HEX, G8.8	
26	10771W	1	PANEL, OUTLET	
27	65849	2	BREAKER, 20A, 120V, 1-POLE, PUSH BUTTON	
28	66097	2	BREAKER, 30A, 250V, 2-POLE, 1 LEVER	
--	30782	1	HARNESS, CONTROL BOX TO GENERATOR	

# CONTROL BOX TO UNIT



03854

## CONTROL BOX TO UNIT

---

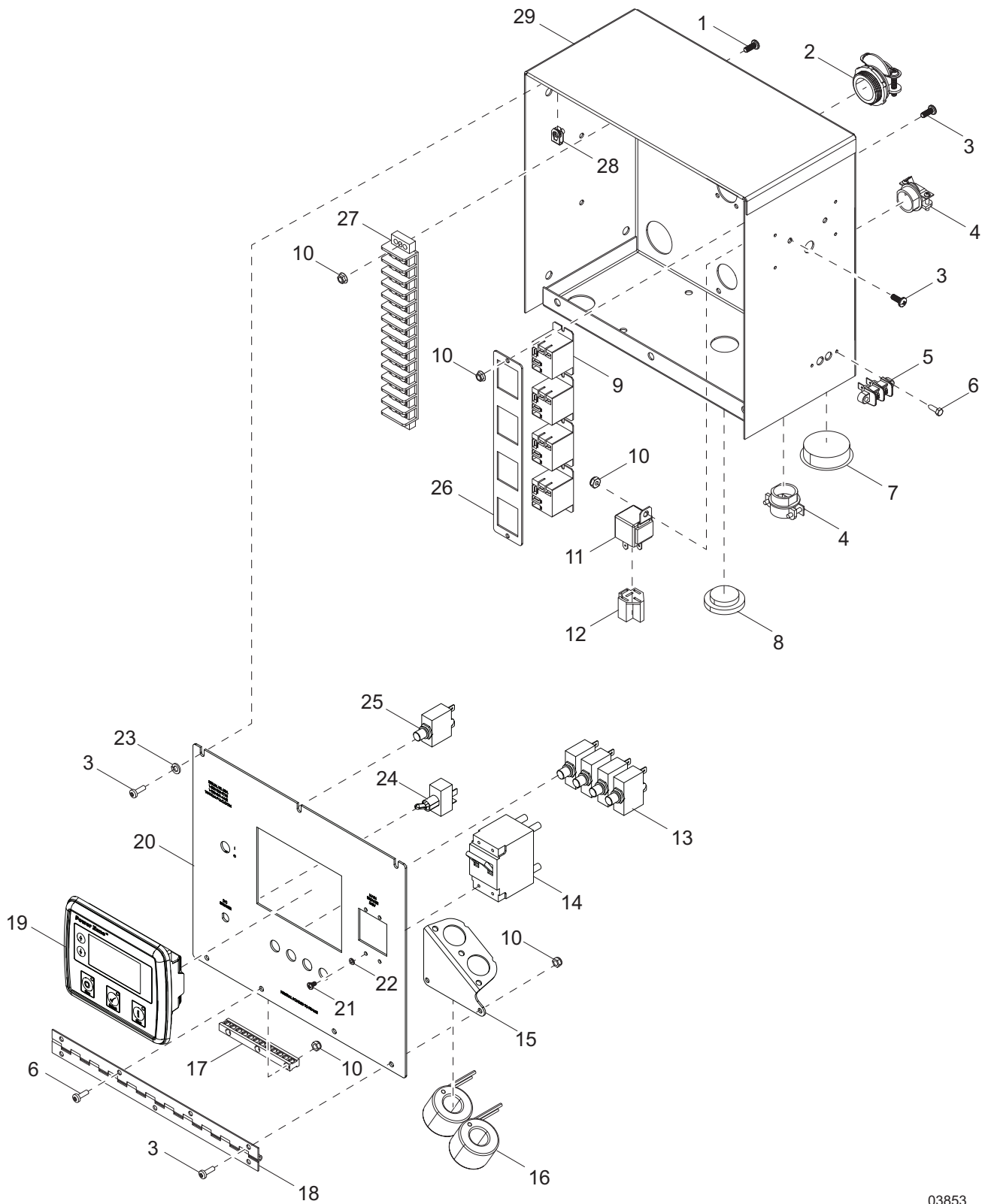
Item	Part No.	Qty	Description	Notes
1	60698	8	WASHER, .375 FLAT .875/.040, SS	
2	60792	4	NUT, .375-16 NYLOCK, SS	
3	60281	8	SCREW, .250-20 X .750 STD HEX, G5	
4	60340	8	WASHER, .312 FLAT .875/.040, SS	
5	A0002928608	1	ASSY CONTROLS MLT4200 IZUSU - PZ	
6	37130B	1	ASSEMBLY, BRACKETR	
7	60090	2	NUT, .250-20 WING, G5	
8	60089	2	WASHER, .265 FENDER 1.25/.060	
9	14682	1	BRACKET, BATTERY HOLD DOWN	
10	60820	2	BOLT, J - .250-20 X 9.0	
11	62247	4	SCREW, .375-16 X .625 STD HEX, SS	
12	62043	4	SCREW, .312-18 X 2.25 STD HEX, SS	

### OPTIONAL FEATURES

#### *Battery Disconnect: (if equipped)*

M	60028	2	SCREW, .312-18 X 1.0 STD HEX, G5
N	60271	2	WASHER, .312 SPLIT LOCK
O	60119	2	WASHER, .312 FLAT .875/.070
P	60277	2	SCREW, 10-32 X .500 PAN PHILLIPS, G2
Q	65499	1	ASSEMBLY, SWITCH LOCKOUT LEVER
R	13654B	1	BRACKET, BATTERY DISCONNECT
S	60067	2	WASHER, #10 FLAT .435/.060, SS
T	60061	2	NUT, 10-32 NYLOCK
J	65498	1	SWITCH, DISCONNECT
K	25075	1	CABLE, BATTERY - 24 IN, 4GA RED W/BOOT, .375 LUG
L	15076	1	CABLE, BATTERY - 46 IN, 4GA RED, .375 LUG
M	60303	2	NUT, .312-18 NYLOCK, G2

# CONTROL BOX ASSEMBLY



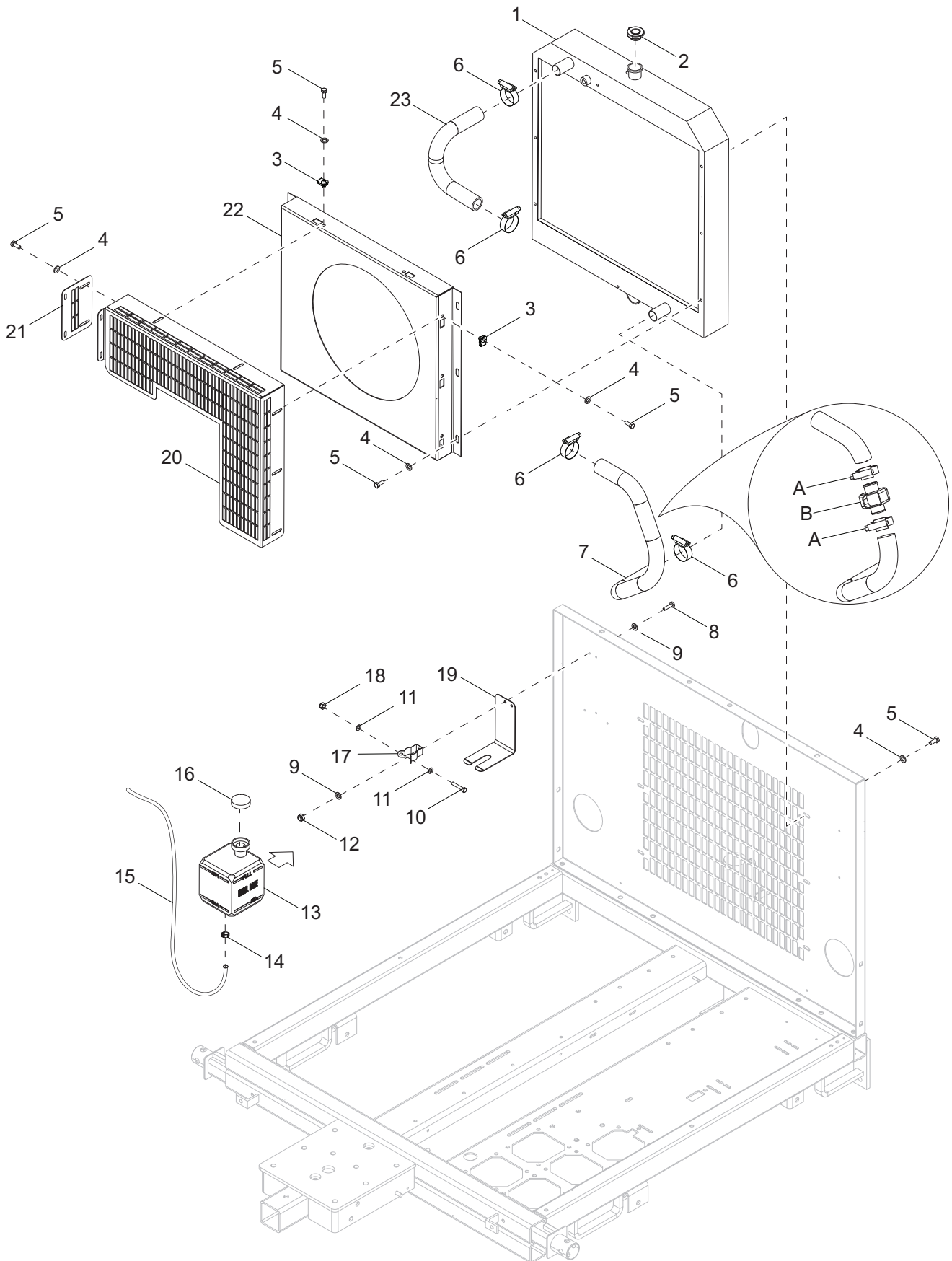
03853

## CONTROL BOX ASSEMBLY

Item	Part No.	Qty	Description	Notes
1	60062	2	SCREW, 10-32X.750 PAN PHIL G2 ZC	
2	65490	1	STRAIN RLF, 1.00 ROMEX W/NUT	
3	60277	12	SCREW, 10-32X.500 PAN PHIL G2 ZC	
4	14219	4	STRAIN RLF, .75 ROMEX W/NUT	
5	68080	1	BLOCK, TERMINAL - 2 POS, FEED THRU	
6	60062	4	SCREW, 10-32X.750 PAN PHIL G2 ZC	
7	61037	1	PLUG, HOLE 1.75 DIA BLACK (HEYCO)	
8	60746	1	PLUG, HOLE 1.094 RECESSED STYLE BLACK	
9	29759	4	RELAY,12V COIL,120-240 VAC RATED	
10	60061	16	NUT, 10-32 NYLK ZC	
11	65049	1	RELAY, 12V 30/40A N.O. W/DIODE	
12	65096	1	PLUG, RELAY RECEPTACLE	
13	15568	4	BREAKER, 15A, 120V, 1 POLE, PUSH BUTTON	
14	65429	1	BRKR,100A,250V,2 POLE,AM STUD TERM,W/AUX	
15	37212B	1	BRACKET, CT	
16	66255	2	TRANS, CURRENT 100:5 WIRES NO MOUNTING F	
17	14204	1	KIT, GROUND BAR	
18	13677	1	HINGE, CONTINUOUS - 11.00	
19	CALL*	1	CTRLR,DEEP SEA (L401-001-A4)-HEATED BLNK	
20	A0002932483	1	PANEL CONTROL MLT4200/MLT4150	
21	60405	4	SCREW, 6-32X.250 PAN PHIL G2 ZC	
22	60058	4	WASHER, #6 SPLIT LOCK ZC	
23	60252	6	WASHER, #10 SPLIT LOCK ZC	
24	25077	1	SWITCH, TGL - SPST 20A VAC	
25	65850	1	BRKR,10A,240V,1POLE PUSH BUTTON	
26	38447	1	BRACKET, RELAY	
27	66013	1	TERMINAL BLCK, 14 PS/30A/600V, #8 SCW	
28	63105	6	NUT, 8-32 UCLIP G5 ZC	
29	A0002936359	1	STB BOX CONTROL - MLT4000	
--	31358	1	WIRE GROUP, CONTROL PANEL MLT4200IF4	
--	A0002928608	1	ASSY CONTROLS MLT4200 IZUSU - PZ	

**Note:** \*To order replacement controller, contact Generac Mobile with unit serial number

# COOLING SYSTEM ASSEMBLY



03852

## COOLING SYSTEM ASSEMBLY

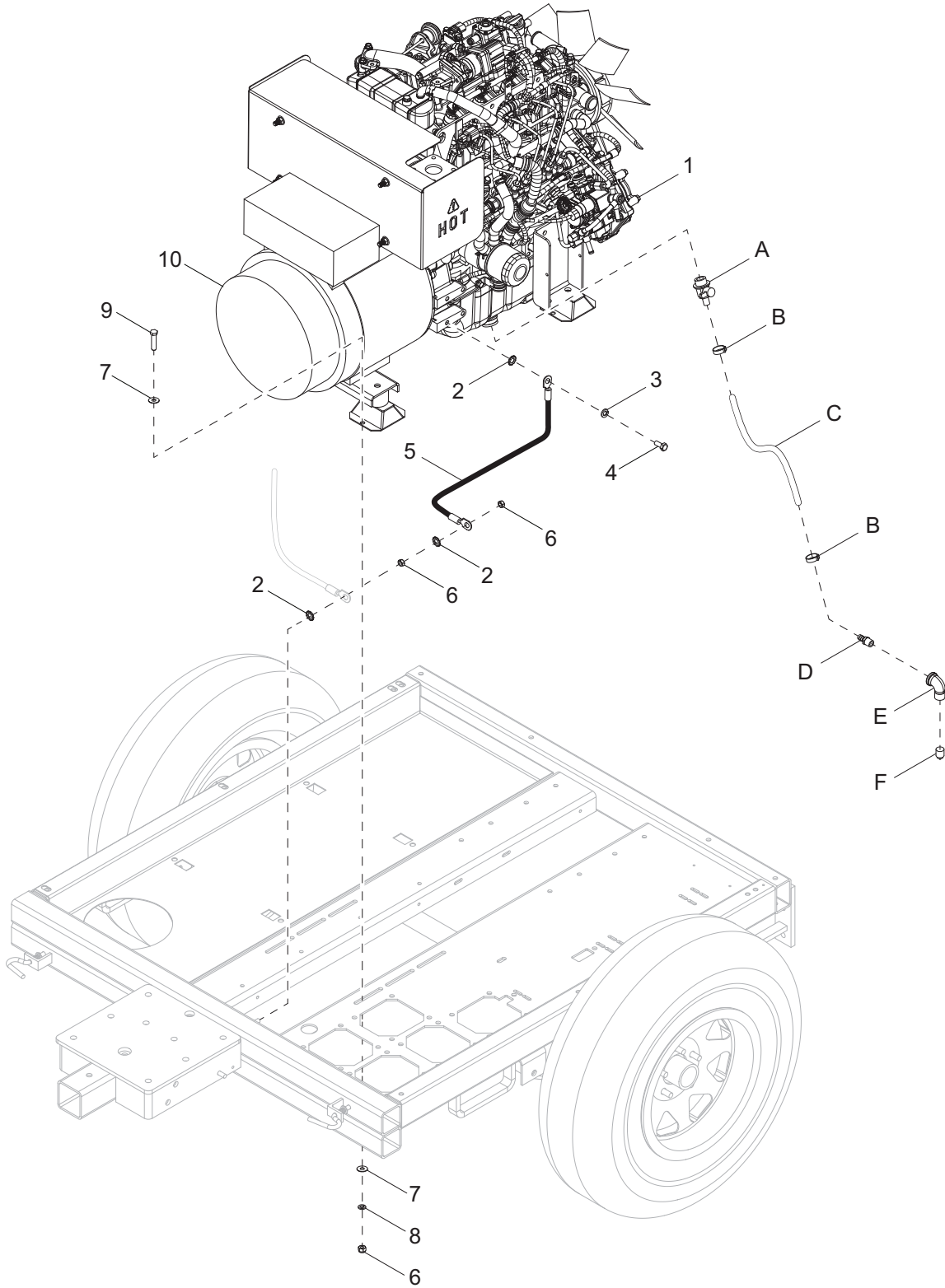
Item	Part No.	Qty	Description	Notes
1	A0000214834	1	RADIATOR, WIDE 20KW	
2	19219	1	CAP, RADIATOR	
3	62086	7	NUT, .312-18 U-CLIP - SHORT-TYPE	
4	60698	18	WASHER, .375 FLAT .875/.040, SS	
5	60690	18	SCREW, .375-16 X 1.0 STD HEX, SS	
6	15422	4	CLAMP, HOSE - SAE 020 (.75-1.75)	
7	31567	1	HOSE, RADIATOR LOWER	
8	61180	2	SCREW, 10-32 X .750 PAN PHILLIPS, SS	
9	60067	4	WASHER, #10 FLAT .435/.060, SS	
10	60414	1	SCREW, .250-20 X 1.50 STD HEX, G5	
11	60696	2	WASHER, .250 FLAT .625/.050, SS	
12	60061	2	NUT, 10-32 NYLOCK	
13	20287	1	JUG, OVERFLOW 2 QT (.5 GAL)	
14	60777	1	CLAMP, HOSE - .312 FUEL HOSE CRIMP STYLE	
15	16232	1	HOSE, FUEL - .312 ID, 50 PSI, SAE 30R7 - 12 IN	
16	19714	1	CAP, OVERFLOW JUG	
17	19726	1	CLAMP, OVERFLOW JUG	
18	G027529	1	NUT, .250-20 NYLOCK, G5	
19	22419B	1	BRACKET, OVERFLOW JUG	
20	37082B	1	GUARD, FAN UPPER	
21	37083B	1	GUARD, FAN LOWER	
22	37086B	1	SHROUD, FAN	
23	12064	1	HOSE, RADIATOR UPPER	
--	14410	1	ASSEMBLY, OVERFLOW JUG	Items 8-19

### OPTIONAL FEATURES

*Lower Radiator Hose Heater: (if equipped)*

A	15422	2	CLAMP, HOSE - SAE20 (.75-1.75)
B	65648	1	HEATER, ENGINE - LOW RAD HOSE, 1.25 DIAMETER

# ENGINE AND GENERATOR TO UNIT



01577



## ENGINE AND GENERATOR TO UNIT

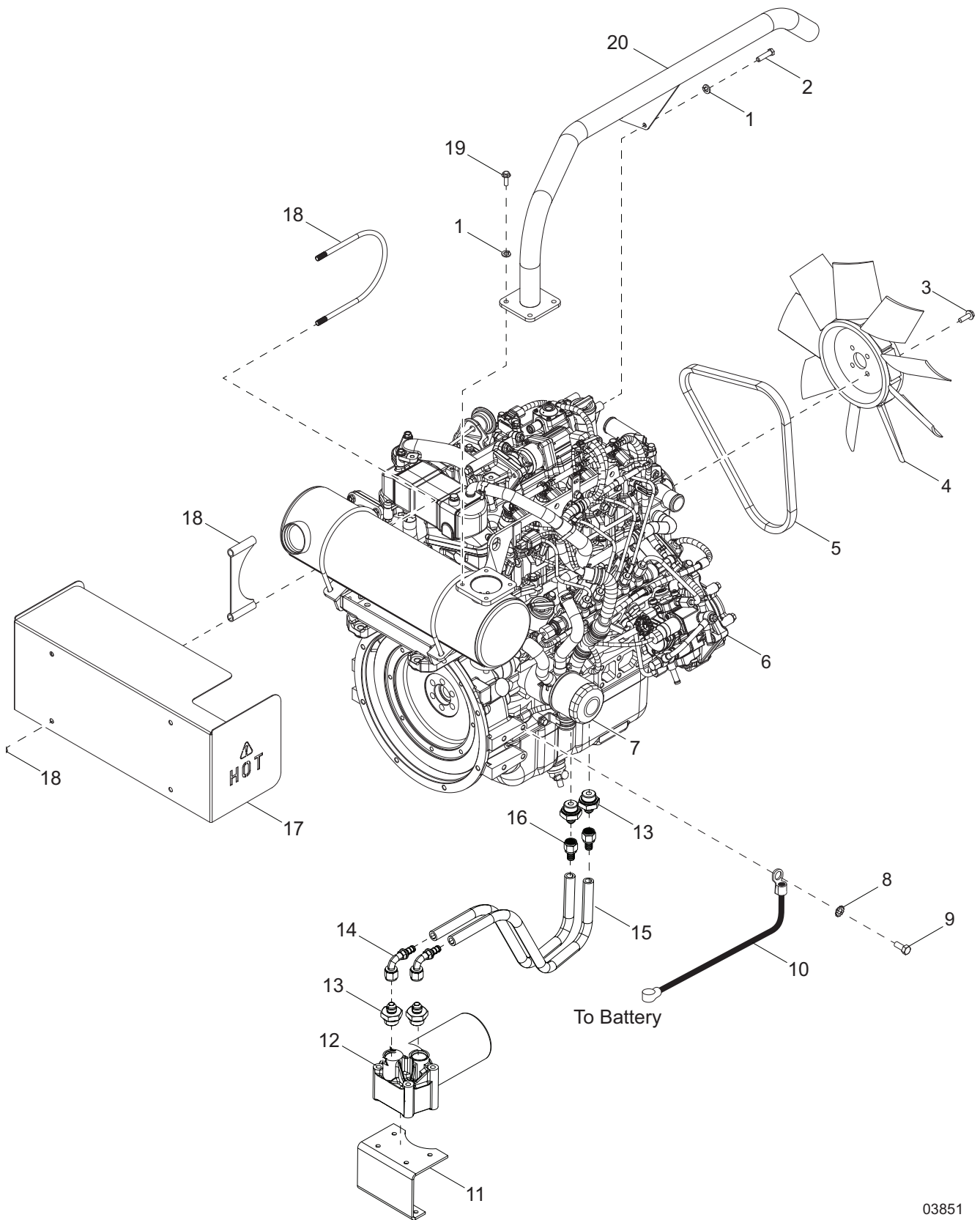
Item	Part No.	Qty	Description	Notes
1	<a href="#">Page 32</a>	1	ASSEMBLY, ENGINE	
2	60747	3	WASHER, .375 INTERNAL STAR	
3	60026	1	WASHER, M10 SPLIT LOCK	
4	60495	1	SCREW, M10-1.25 X 16 STD HEX, G8.8	
5	16155	1	ASSEMBLY, WIRE - ENGINE/CHASSIS GROUND	
6	60140	10	NUT, .375-16 HEX, G5	
7	60698	16	WASHER, .375 FLAT .875/.040, SS	
8	60206	8	WASHER, .375 SPLIT LOCK	
9	60690	8	SCREW, .375-16 X 1.0 STD HEX, SS	
10	<a href="#">Page 36</a>	1	ASSEMBLY, GENERATOR	

### OPTIONAL FEATURES

#### *Oil Drain Valve: (if equipped)*

A	31408	1	VALVE, DRAIN WITH NIPPLE
B	60777	2	CLAMP, HOSE - .312, CRIMP STYLE
C	50051	6 ft	HOSE, FUEL - .375 ID, 50 PSI
D	62076	1	FITTING, STRT - .750MNPT X .625 BARB
E	25110	1	FITTING, 90° - .750MNPT X .750FNPT
F	60498	1	FITTING, SQUARE PLUG - .750NPT

# ENGINE ASSEMBLY - LEFT SIDE



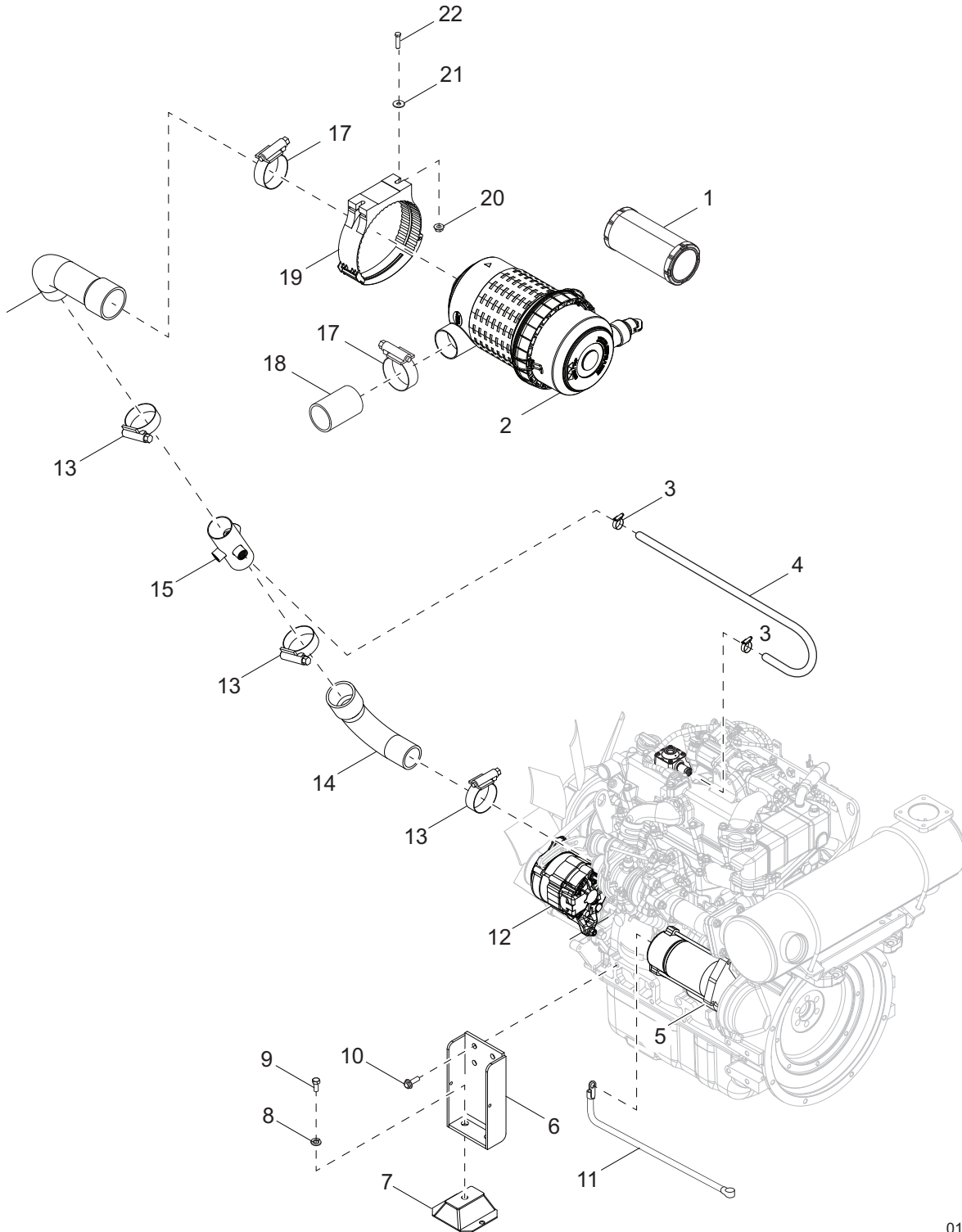
03851

## ENGINE ASSEMBLY - LEFT SIDE

Item	Part No.	Qty	Description	Notes
1	G022129	6	WASHER, .312 SPLIT LOCK	
2	60410	2	SCREW, M8-1.25 X 16 STD HEX, G8.8	
3	60024	4	SCREW, M6-1.0 X 25 SERRATED FLANGE HEX	
4	19258	1	FAN, 15.75 IN	
5	51099	1	BELT, FAN	
6	A0000579555	1	ENGINE ISUZU 4LE2TAGV08-S283	
7	00000000000	1	FILTER, OIL	
8	60747	1	WASHER, .375 INTERNAL STAR	
9	60495	1	SCREW, M10-1.25 X 16 STD HEX, G8.8	
10	12535	1	CABLE, BATTERY - 25 IN 4GA BLK 1/2 IN LU	
11	A0000985758	1	STB BRACKET REMOTE OIL FILTER	
12	33765	1	OIL FILTER	
13	69611	4	FITTING, STRT JIC O-RNG -.75-14BSPP.75-16JIC	
14	62205	2	FITTING,90° -.750-16 JIC X #8 PUSH-LOK FM	
15	50730	2	HOSE, .500ID 300PSI HI-TEMP	
16	62203	2	FITTING, STRT-.750-16 JIC X #8 PUSH-LOK FM	
17	35976	1	WELDMENT, DOC HEAT SHIELD	
18	35925	2	CLAMP, U-BOLT	
19	60009	4	SCREW, M8-1.25X25 SFLG HEX G8.8 ZC	
20	35976	1	WELDMENT, EXHAUST PIPE	
--	33766	1	HARNESS, ENGINE - ISUZU	
--	34588	12.5 ft	INSULATION, EXHAUST TAPE	Attaches to item 14

**Note:** Engine and generator parts used in all Generac Mobile equipment carry the Original Equipment Manufacturer (OEM) warranty unless otherwise stated. OEM warranty parts must be purchased through an OEM dealer. Please contact Generac Mobile with questions.

# ENGINE ASSEMBLY - RIGHT SIDE



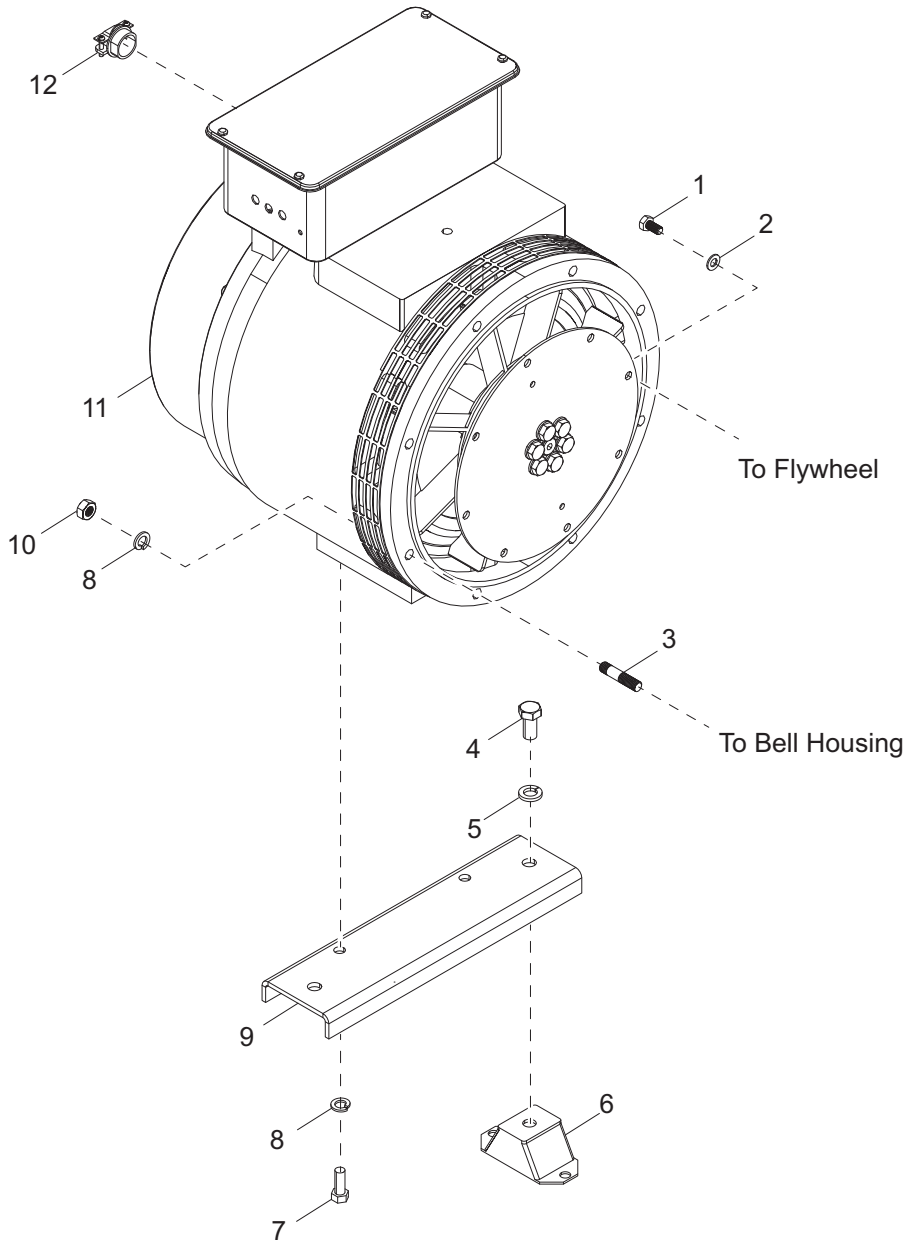
01810

## ENGINE ASSEMBLY - RIGHT SIDE

Item	Part No.	Qty	Description	Notes
1	35962	1	ELEMENT, AIR FILTER	
2	35959	1	FILTER, AIR	
3	60365	2	CLAMP, HOSE - SAE 010 (.56-1.06)	
4	50709	1.75 ft	HOSE, FUEL - .625 ID, 300 PSI	
5	36662	1	STARTER	
6	31564B	2	WELDMENT, ENGINE MOUNT	
7	11524	2	ISOLATOR, RUBBER - 4.38 X 4.0 X 1.50	
8	60702	2	WASHER, .500 SPLIT LOCK, SS	
9	60275	2	SCREW, .500-13 X 1.0 STD HEX, G5	
10	60018	6	SCREW, M10-1.50 X 20 SERRATED FLANGE HEX	
11	15074	1	CABLE, BATTERY - 38 IN., 4GA RED, .438 LUG	
12	36661	1	ALTERNATOR	
13	60316	3	CLAMP, HOSE - SAE 032 (1.56-2.50)	
14	35960	1	HOSE, AIR FILTER	
15	38513BH	1	WELDMENT, AIR INLET FITTING TUBE, .50-.50-.38	
16	38421	1	HOSE, AIR FILTER CONNECTION - 20 KW	
17	19336	2	CLAMP, HOSE - SAE 044 (2.31-3.25)	
18	31571	1	HOSE, AIR	
19	37480	1	BRACKET, AIR FILTER	
20	60095	2	NUT, .312-18 SERRATED FLANGE	
21	60340	2	WASHER, .312 FLAT .875/.040	
22	60687	2	SCREW, .312-18 X .75 STD HEX, SS	

**Note:** Engine and generator parts used in all Generac Mobile equipment carry the Original Equipment Manufacturer (OEM) warranty unless otherwise stated. OEM warranty parts must be purchased through an OEM dealer. Please contact Generac Mobile with questions.

# GENERATOR ASSEMBLY



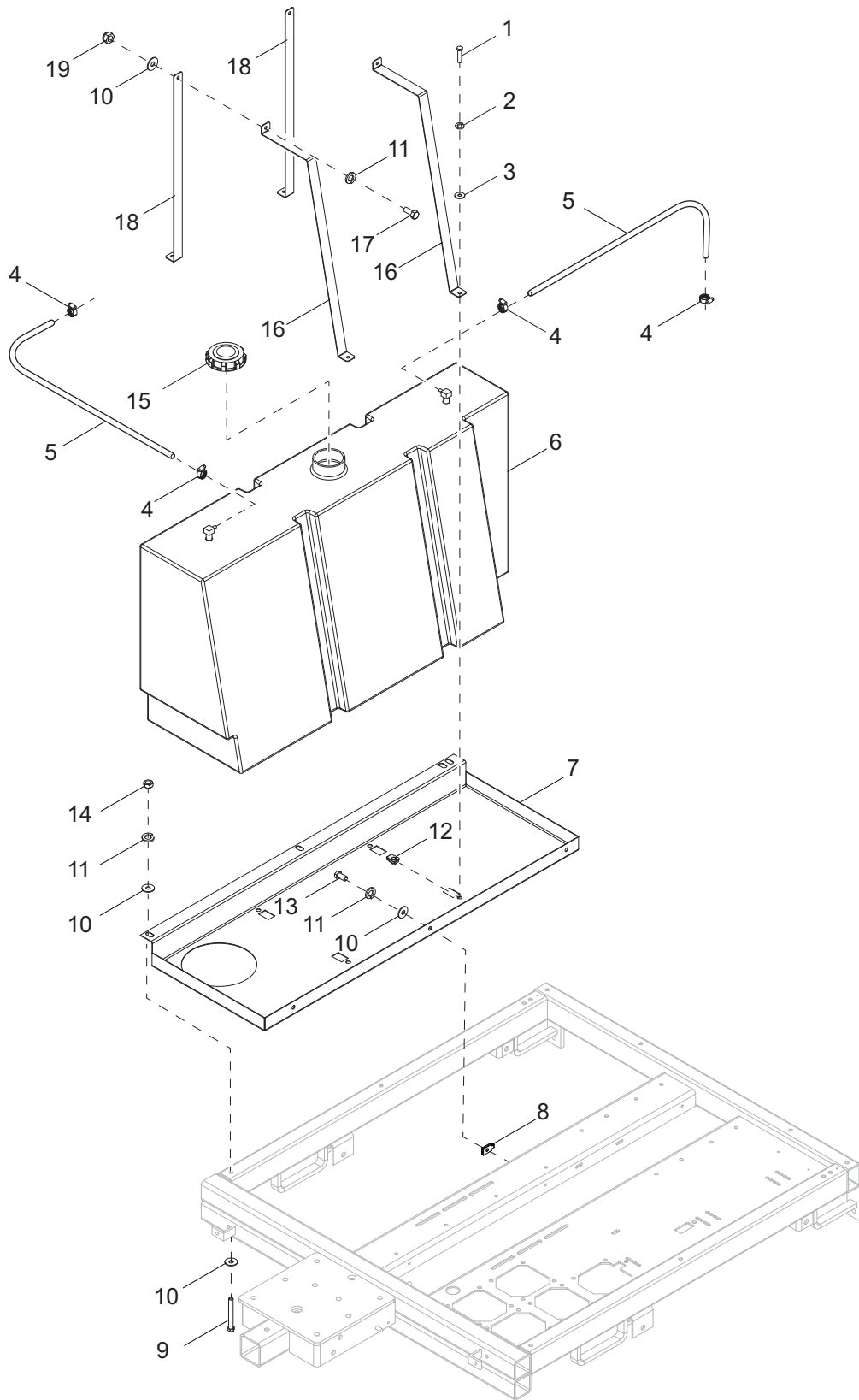
03221

## GENERATOR ASSEMBLY

Item	Part No.	Qty	Description	Notes
1	60165	8	SCREW, M8-1.25 X 16 STANDARD HEX, G10.9	
2	60166	8	WASHER, M8 FLAT	
3	60795	8	STUD, M10-1.25 X 48 - 2 ENDS THREADED	
4	60275	2	SCREW, .500-13 X 1.00 STANDARD HEX, G5	
5	60702	2	WASHER, .500 SPLIT LOCK - SS	
6	15241	2	ISOLATOR, 80-200 POUNDS - RUBBER	
7	60205	2	SCREW, .375-16 X 1.99 STANDARD HEX, G5	
8	60026	10	WASHER, M19 SPLIT LOCK	
9	11597B	1	BRACKET, GENERATOR MOUNT	
10	60344	8	NUT, M10-1.25 HEX - SS	
11	11327	1	GENERATOR, 333CSA3024, 15KW, 60HZ	
12	14219	1	STRAIN RELIEF, .750 ROMEX - W/NUT	
--	65684	1	HARNESS, LEAD	

**Note:** Engine and generator parts used in all Generac Mobile equipment carry the Original Equipment Manufacturer (OEM) warranty unless otherwise stated. OEM warranty parts must be purchased through an OEM dealer. Please contact Generac Mobile with questions.

# FUEL TANK ASSEMBLY



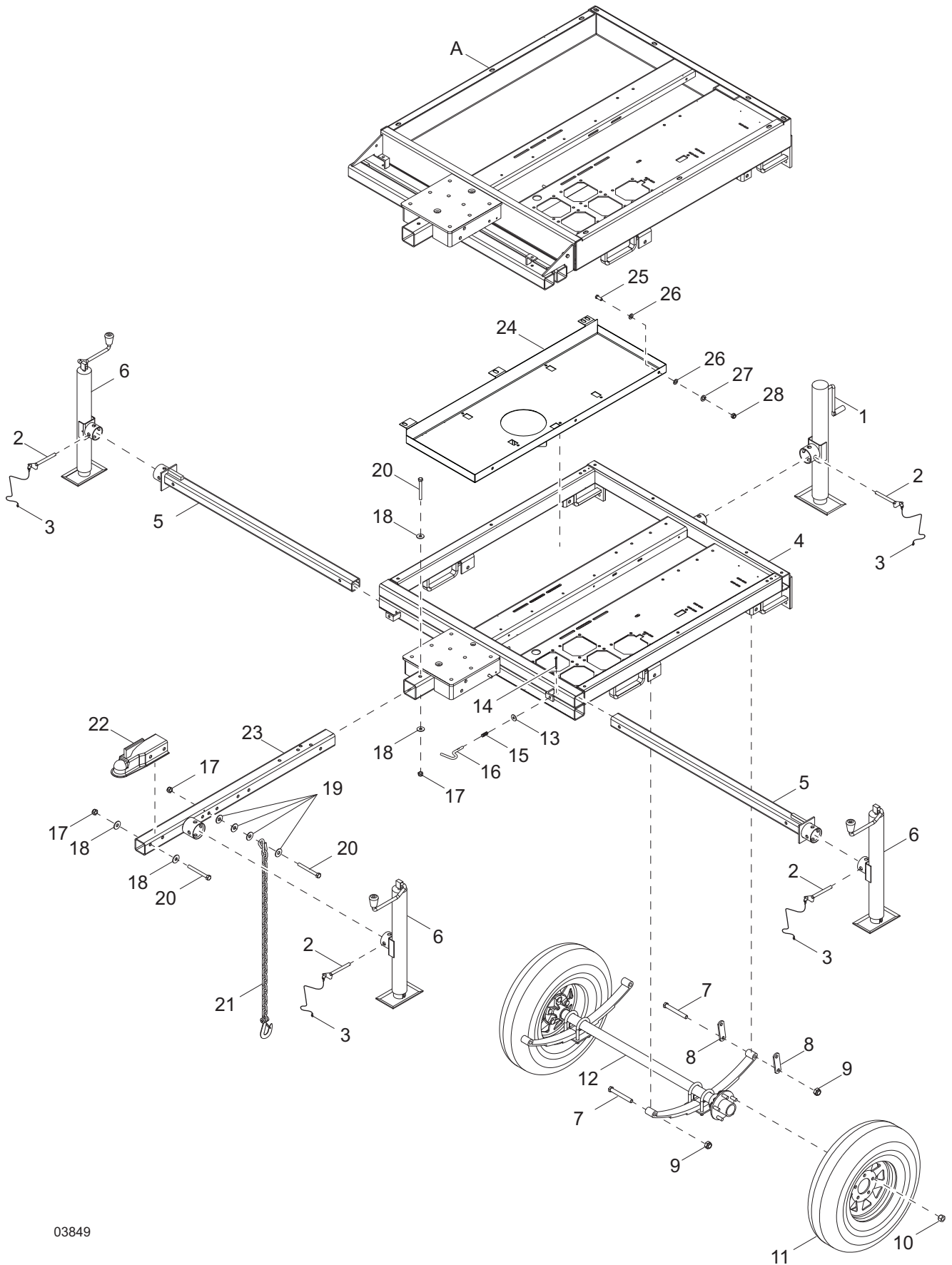
03850



## FUEL TANK ASSEMBLY

Item	Part No.	Qty	Description	Notes
1	60028	16	SCREW, .312-18 X 1.0 STD HEX, G5	
2	60271	16	WASHER, .312 SPLIT LOCK	
3	60119	16	WASHER, .312 FLAT .875/.070	
4	60365	4	CLAMP, HOSE - SAE 010 (.56-1.06)	
5	50051	5 ft	HOSE, FUEL - .375 ID, 50 PSI, SAE 30R7	
6	31347	1	TANK, FUEL - 50 GALLON	
7	37067B	1	PAN, FUEL TANK	
8	60727	3	NUT, .375-16 U-CLIP, SHORT TYPE	
9	60689	3	SCREW, .375-16 X 4.0 STD HEX, SS	
10	60698	11	WASHER, .375 FLAT .875/.040, SS	
11	60703	6	WASHER, .375 SPLIT LOCK, SS	
12	60505	4	NUT, .312-18 U-CLIP - LONG TYPE	
13	60690	3	SCREW, .375-16 X 1.0 STD HEX, SS	
14	60140	3	NUT, .375-16 HEX, G5	
15	16326	1	CAP, FUEL TANK, 3.50 DIAMETER - GREEN W/ TETHER	
16	37087B	2	STRAP, FUEL TANK - LARGE	
17	60334	2	SCREW, .375-16 X 1.0, STD HEX, G5	
18	37088B	2	STRAP, FUEL TANK - SMALL	
19	60358	2	NUT, .375-16 NYLOCK, G5	

# TRAILER ASSEMBLY



03849

## TRAILER ASSEMBLY

Item	Part No.	Qty	Description	Notes
1	13050	1	JACK, SIDE WIND - TUBE MOUNT	
2	23256	4	PIN, JACK - 2000 LB, TUBE MOUNT	
3	12647	4	CABLE, TETHER - JACK PIN AND COVER	
4	13335B	1	WELDMENT, CHASSIS	
5	69813Z	2	WELDMENT, OUTRIGGER TUBE JACK MOUNT	
6	13051	3	JACK, TOP WIND	
7	60503	6	SCREW, SHACKLE, .562-18 X 3.0 STD HEX, G5	
8	19637	4	PLATE, SHACKLE BRACKET	
9	60504	6	NUT, .562-18 LOCK, G5	
10	60096	10	NUT, .500-20 LUG, G5	
11	15976B	2	WHEEL, ST175/80D13, 1360 LB	
12	13131	1	AXLE, 3000IB	
13	35275	2	WASHER, .375 FLAT .416 X .820 X .057	
14	35274	2	COTTER PIN - .078 X 1.0	
15	35273	2	SPRING, COMPRESSION, .562 X 1.5	
16	35272	2	PIN, PLUNGER - .375	
17	62221	4	NUT, .500-13 NYLOCK, G5	
18	60309	3	WASHER, FLAT 1.060/.090	
19	60416	8	WASHER, .500 FLAT 1.375/.090	
20	50215	4	SCREW, .500-13 X 4.0 STD HEX, G5	
21	23367	2	CHAIN, SAFETY	
22	16830	1	COUPLER, 2.0 BALL/2.5 CHANNEL	
23	70184B	1	WELDMENT,- TUBE MOUNT JACK	
24	12358B	1	PAN, FUEL TANK - FLAT FRAME, BLAC	
25	60690	3	SCREW, .375-16X1.000 STD HEX 18-8 SS	
26	60698	6	WASHER, .375 FLAT .875/.040 18-8 SS USS	
27	60703	3	WASHER, .375 SPLIT LOCK 18-8 SS	
28	60140	3	NUT, .375-16 HEX G5 ZC	

### OPTIONAL FEATURES

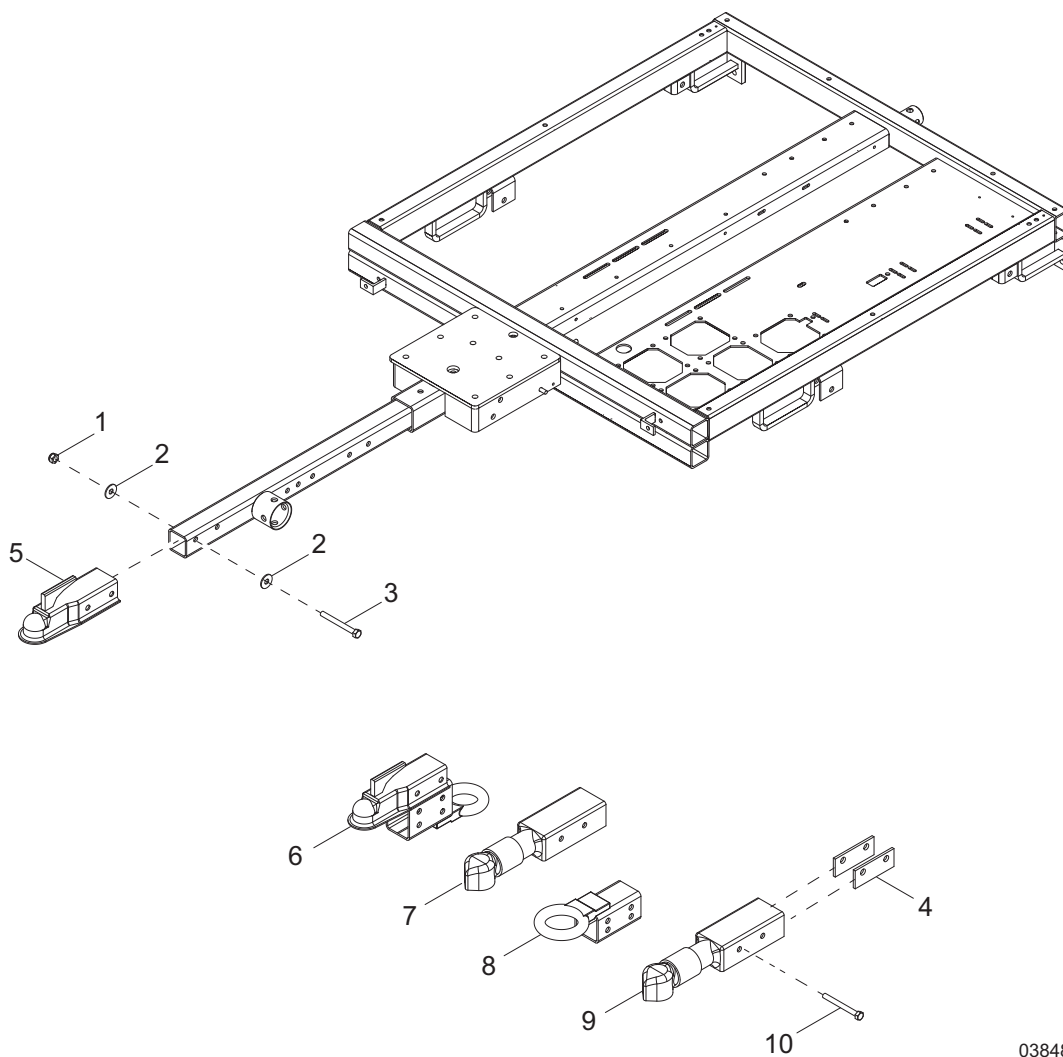
*Containment: (if equipped)*

A	33243B	1	WELDMENT, CHASSIS, CONTAINMENT
---	--------	---	--------------------------------

*Trailer Plug Adapters: (if equipped)*

--	65463	1	ADAPTER, TRAILER WIRING - FLAT 4 TO ROUND 6 PIN
--	65464	1	ADAPTER, TRAILER WIRING - FLAT 4 TO ROUND 7 PIN
--	65465	1	ADAPTER, TRAILER WIRING - FLAT 4 TO ROUND 7 BLADE

# TRAILER - HITCH OPTIONS



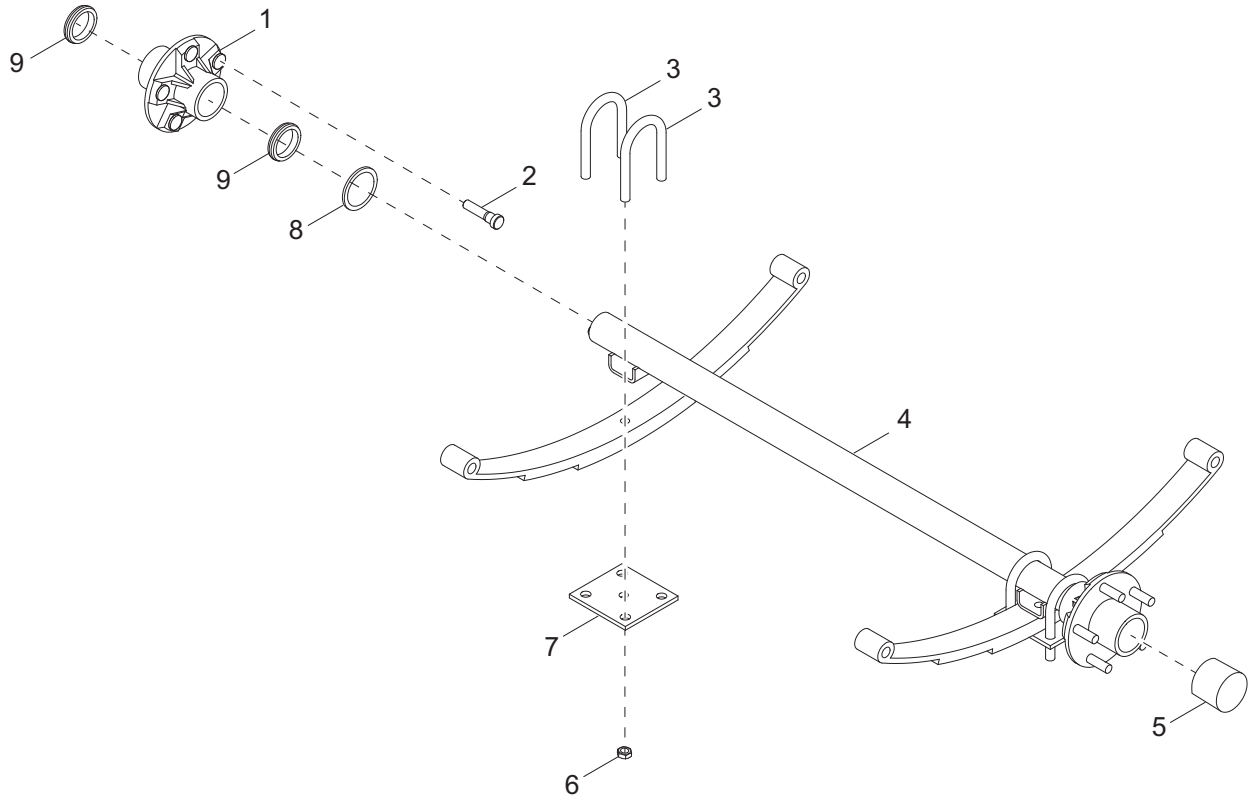
03848

## TRAILER - HITCH OPTIONS

Item	Part No.	Qty	Description	Notes
1	62221	2	NUT, .500-13 NYLOCK, G5	
2	60309	4	WASHER, .500 FLAT 1.060/.090	
3	50215	2	SCREW, .500-13 X 4.0 STANDARD HEX, G5	
4	12155B	2	SPACER, COUPLER	
5	16830	1	COUPLER, 2.0 BALL/2.50 TONGUE	
6	34792ZC	1	WELDMENT, COMBINATION HITCH - 2.50 TONGUE	
7	13003B	1	COUPLER, 2.0 BULLDOG/2.50 TONGUE	
8	16835B	1	WELDMENT, LUNETTE RING - 3.0 X 1.0 RING/2.50	
9	17807	1	COUPLER, 2.312 BALL/3.00 CHANNEL	
10	60376	2	SCREW, .500-13 X 4.50 STANDARD HEX, G5	

# AXLE ASSEMBLY

---

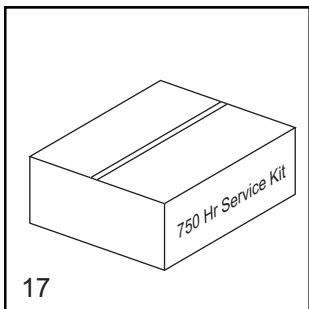
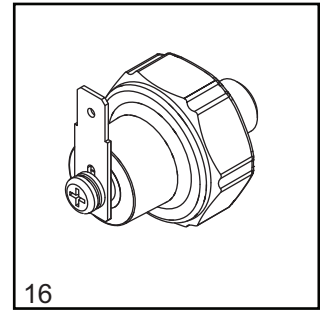
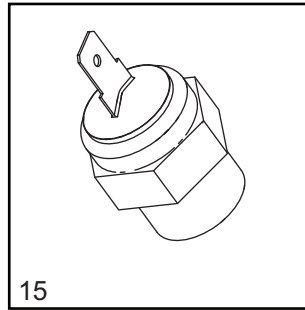
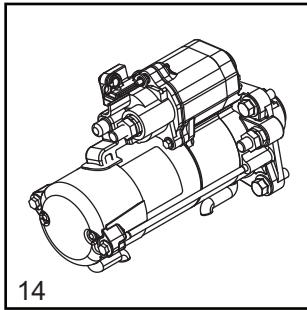
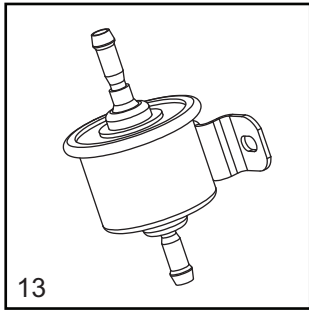
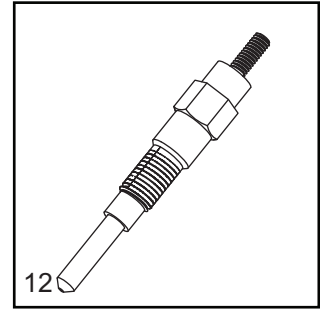
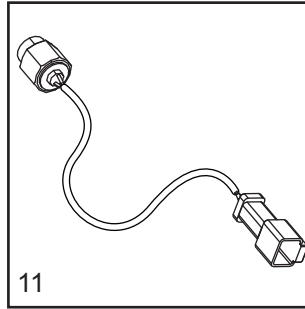
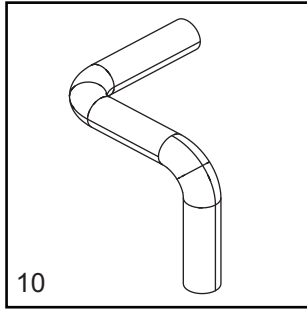
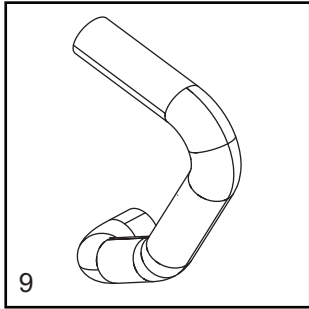
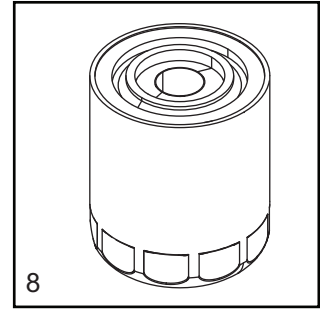
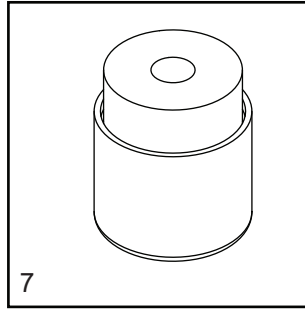
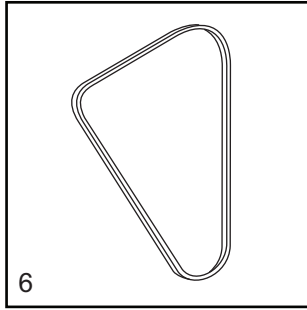
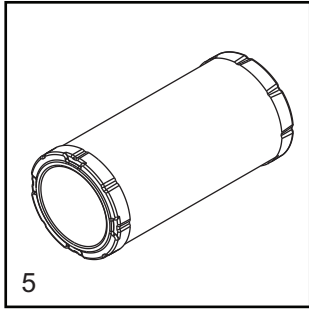
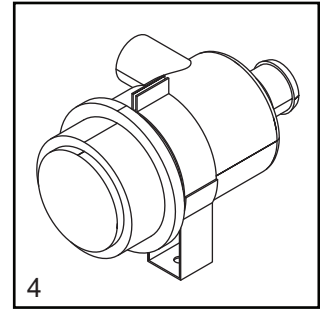
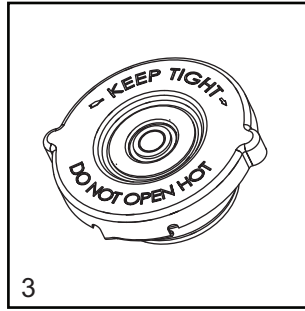
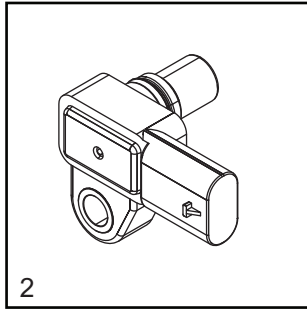
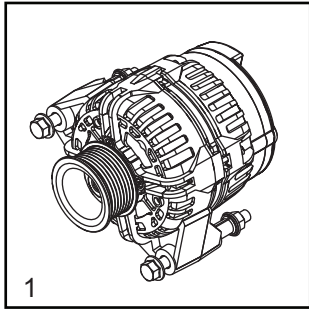


01746

## AXLE ASSEMBLY

Item	Part No.	Qty	Description	Notes
1	11206	2	AXLE HUB W/STUDS AND OUTER RACES	
2	60674	10	STUD, WHEEL, .500-20 WHEEL, G8	
3	11201	4	BOLT, U - 2200 LB	
4	13131	1	AXLE, 3000 LB 58TC 45SC	
5	12460	2	CAP, WHEEL BEARING	
6	11203	8	NUT, U-BOLT, 2200 LB	
7	11202	2	TIE-PLATE, 2200 LB	
8	13000	2	SEAL - 2200 LB	
9	11511	4	BEARING, ROLLER	INCLUDES BEARING RACES

# RECOMMENDED SPARE PARTS - ENGINE AND SERVICE KIT





## RECOMMENDED SPARE PARTS - ENGINE AND SERVICE KIT

---

### ENGINE

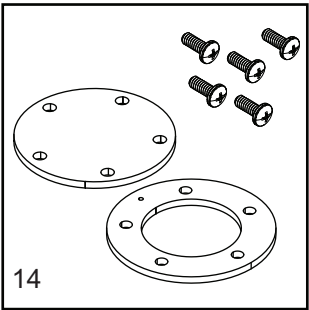
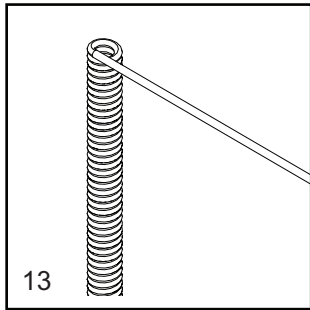
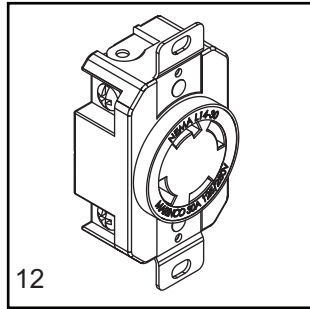
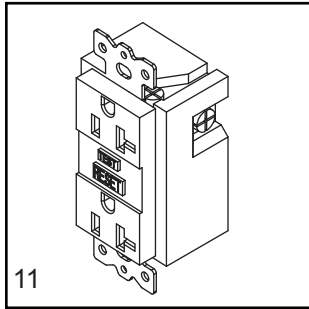
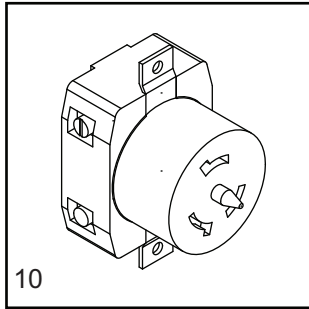
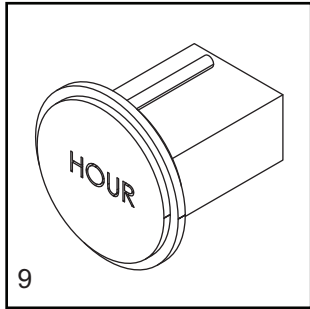
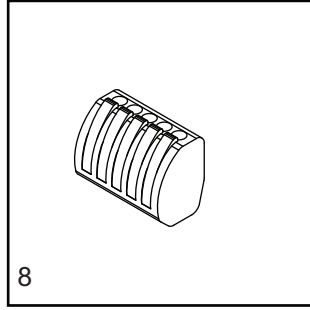
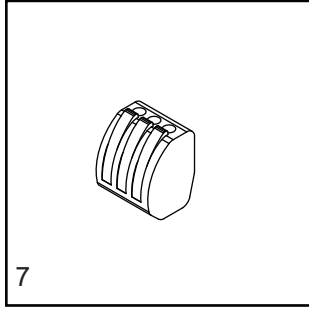
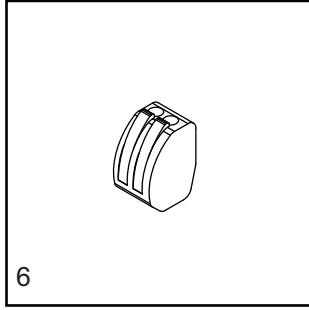
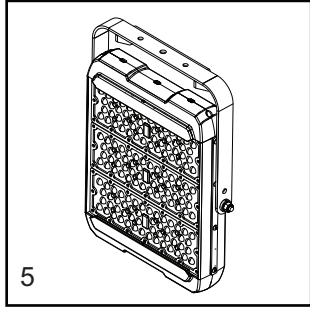
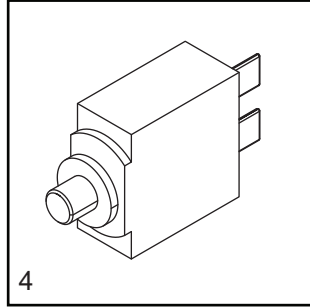
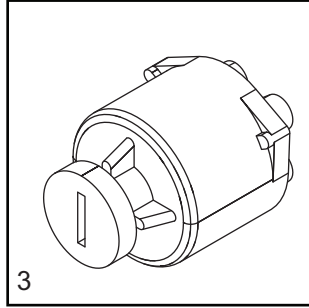
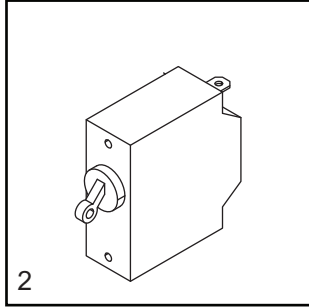
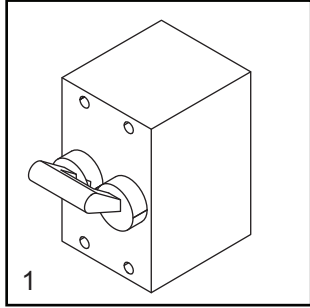
1. ALTERNATOR .....	A0000083440
2. ATMOSPHERIC PRESSURE SENSOR.....	72175SRV
3. CAP, FUEL TANK WITH LANYARD .....	16326
4. CAP, RADIATOR .....	19219
5. FILTER, AIR (ELEMENT) .....	10000035428
6. BELT .....	10386
7. FILTER, FUEL, MITSUBISHI.....	A0000430610
8. FILTER, OIL, MITSUBISHI (AFTER BREAK-IN 1).....	A0000630832
9. HOSE, RADIATOR - LOWER.....	16688SRV
10. HOSE, RADIATOR - UPPER.....	32383SRV
11. MAGNETIC PICK-UP .....	A0000116158
12. PLUG, GLOW.....	16693SRV
13. PUMP, FUEL.....	13278SRV
14. STARTER .....	70232
15. SWITCH, COOLANT TEMPERATURE .....	16678
16. SWITCH, OIL PRESSURE .....	16677

### SERVICE KITS

17. 750 HOUR KIT .....	10000036108
------------------------	-------------

Includes: Air Filter 10000035428, Fuel Filter Element A0000430610 and  
Oil Filter A0000630832

# RECOMMENDED SPARE PARTS - ELECTRICAL



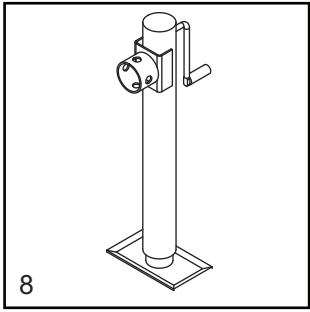
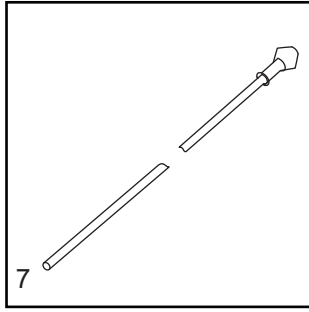
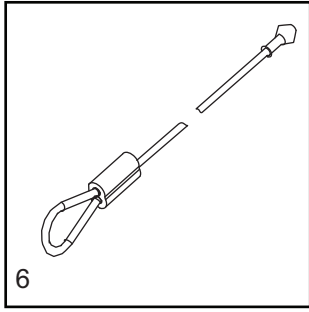
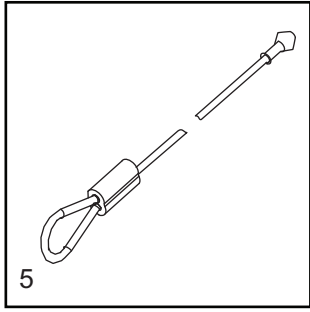
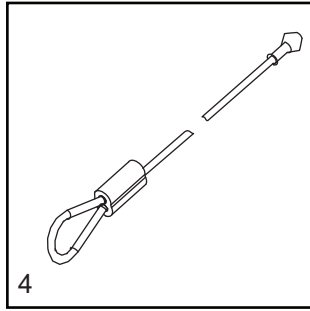
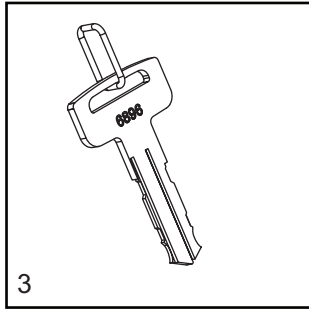
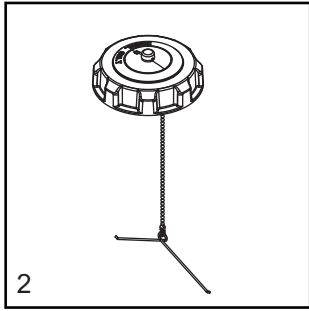
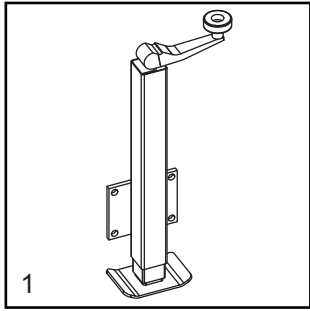
## RECOMMENDED SPARE PARTS - ELECTRICAL

---

### ELECTRICAL

1. BREAKER, 70A, 250V, 2 POLE, AM STUD TERMINAL .....	60736
2. BREAKER, 15A 250V, 1 POLE.....	14249
3. SWITCH, KEY .....	15195SRV
4. BREAKER, 10A 240V, 1 POLE - PUSH BUTTON.....	65850
5. ASSEMBLY, 320W LED LIGHT FIXTURE.....	A0000948785
6. CONNECTOR, 2 POSITION (QTY - 4) .....	66100
7. CONNECTOR, 3 POSITION (QTY - 2) .....	66101
8. CONNECTOR, 5 POSITION (QTY - 1) .....	66102
9. GAUGE, HOUR METER .....	15085
10. RECEPTACLE, 240V/50A TWIST LOCK .....	18089
11. RECEPTACLE, 120V/20A GFI.....	14130
12. RECEPTACLE, 240V/30A TWIST L14-30R .....	65488
13. COIL CORD.....	39650.
14. KIT, SENDER PLATE .....	A0001557886

# RECOMMENDED SPARE PARTS - MISC



**MISCELLANEOUS**

1. JACK, TOP WIND, 2000 LB ..... 13051  
2. CAP, FUEL TANK WITH LANYARD ..... 16326  
3. KEY (SET OF TWO)..... 15309  
4. CABLE, 69.25 IN ..... 34128  
5. CABLE, 69.75 IN ..... 34129  
6. CABLE, 67.875 IN ..... 34130  
7. CABLE, 116.00 IN..... 34132  
8. JACK, SIDE WIND, 2000 LB ..... 13050





Part No. A0003708040 Rev. **A** 02/28/2023

©2023 Generac Power Systems, Inc.  
All rights reserved.  
Specifications are subject to change without notice.  
No reproduction allowed in any form without prior written consent  
from Generac Power Systems, Inc.

**GENERAC**® | **MOBILE**

Generac Power Systems, Inc.  
S45 W29290 Hwy. 59, Waukesha WI 53189  
[GeneracMobileProducts.com](https://www.GeneracMobileProducts.com) | 844-ASK-GNRC | 844-275-4672