

ENGINE SYSTEM

- Mitsubishi® L3E-W461ML
- Diesel fueled
- EPA Tier 4
- 3 cylinder
- .95 L displacement
- Liquid cooled
- ECOSpeed™ multi-speed operation
- Power @ 1,800 rpm – HP (kW):
 - Prime: 10.5 (7.83)
 - Standby: 12.2 (9.10)

Fuel System

- Polyethylene tank – 104.0 gal (393.68 L) usable fuel volume
- Run time – hr:
 - Lights only: 530*
 - 100% load: 174*
- Fuel consumption – gal/hr (L/hr):
 - Lights only: 0.195 (.738)*
 - 100% load: 0.594 (2.249)*
- Exterior fill port diameter: 3.5 in (88.9 mm)
- Fuel filter with replaceable element
- Low fuel indicator beacon

Cooling System

- Air filter: Dry type cartridge
- 100% containment of oil and coolant

Lubrication System

- Oil filter: Full flow, spin-on type
- 1000-hr service interval**

**Results based on engine manufacturer and field test data after 100-hour engine break-in period and may vary based on factors including age and maintenance of equipment, environmental conditions and fuel density. Consult the Owner's Manual for fuel and maintenance recommendations.*

***To achieve maximum service interval, replacement of oil filter after 50-hour break-in period is required. Consult Owner's Manual for required oil filter model number.*

GENERATOR

- 60 Hz engine/generator
- Marathon Electric® brushless
- Up to 6 kW output
- 120/240 VAC, 50/25 A
- ± 1% automatic voltage regulation



SYSTEM CONTROLS

- Power Zone® Autolight controller
- Automated dusk to dawn or 7 day scheduler operation
- One touch manual starting
- Individual light fixture control
- Back-lit LCD display -40°F/C rated heated display.
- Three (3) Programmable service timers for Fuel Filter, Air Filter and Oil Service
- Alarms and comprehensive warnings
- Electrical trip or shutdown protection upon fault condition
- Key pad controlled electric mast optioned deployment

FLOODLIGHTS

- Four [4] 296 watt LED fixtures
 - Lm/fixture: 43,050
 - Total lm: 172,200
- Efficiency: 145 LPW
- Coverage: @ 0.5 ft-c: 19,526 ft² (1,814 m²)
- IP68 LED modules; IP65 rated drivers
- Aluminum / Poly construction housing
- Fixture-mounted LED drivers
- 240Vac mast cord and fixtures

ELECTRICAL SYSTEM

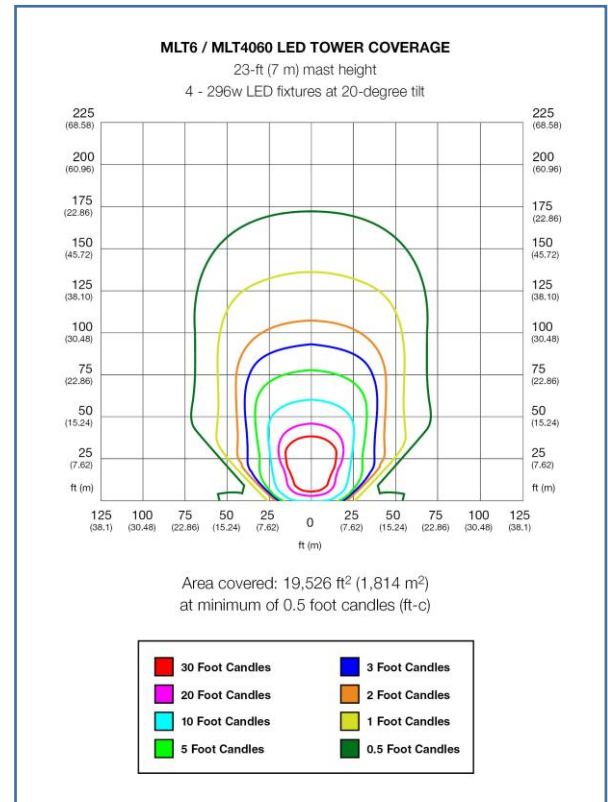
- 30A Main Breaker with auxiliary speed control
- Dual floodlight switch circuits with 5A breakers
- Individually breakered convenience outlets:
 - 120 VAC 20 Amp GFCI duplex outlets (NEMA 5-20R type)
 - 240 VAC 30 Amp Twistlock outlets (NEMA L6-30R type)

MAST

- Wind Rating: 65 mph (105 kph)
- Vertical mast; 23 foot (7 m), 4-section with ground adjustable light fixtures
- Dual handle manual winch; electric winch optional
- 359° ground rotational mast with mast fully extended
- Industrial black powder coat finish with polymer guides

ENCLOSURE

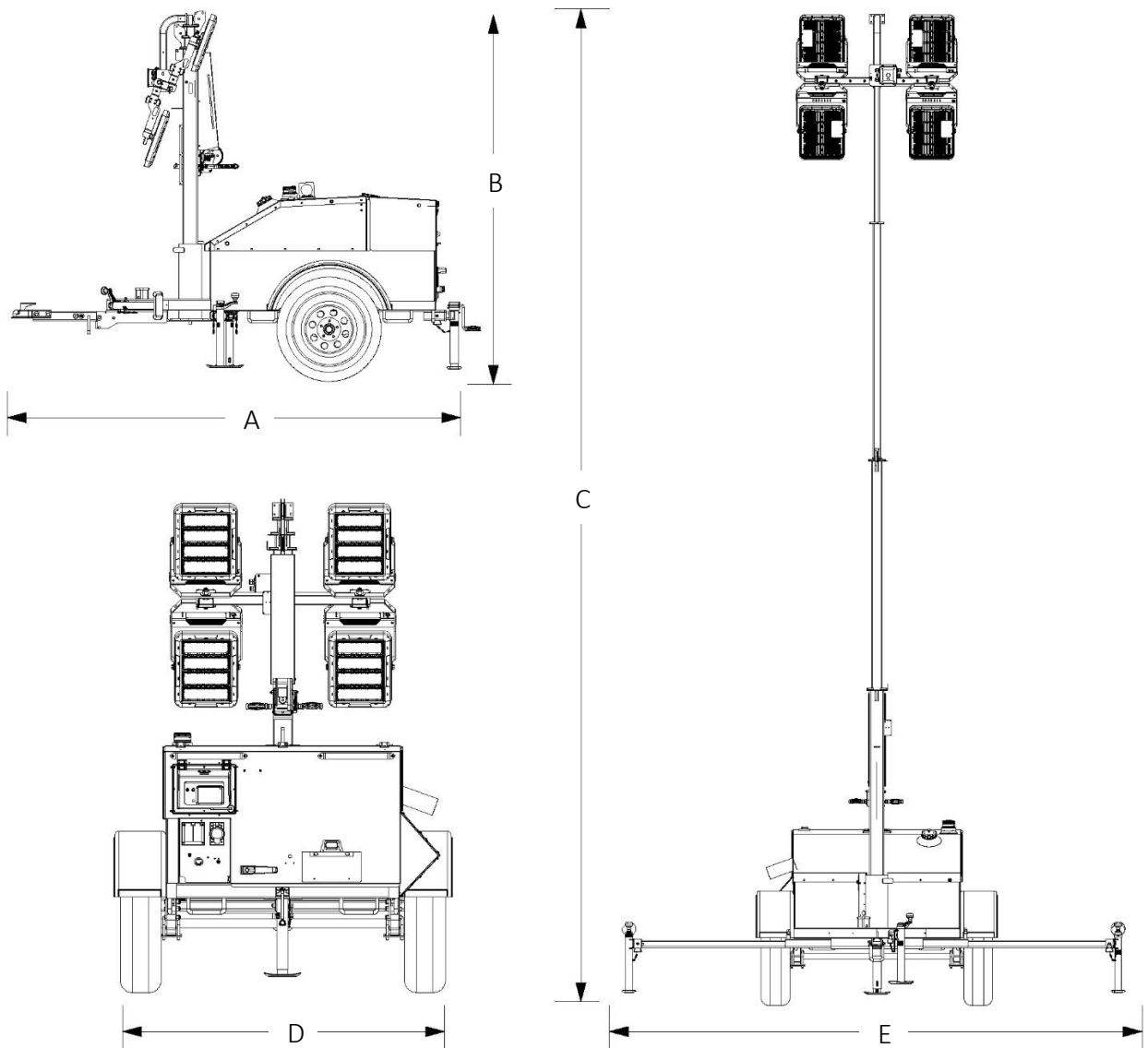
- Aluminum Enclosure - .080" 5052
- UV & fade resistant, high temperature cured, white polyester powder paint
- 63 dB(A) @ 23 feet – low speed LED
- 68 dB(A) @ 23 feet – prime power
- Stainless steel hinges on doors
- Multi-lingual operating/safety decals
- License plate holder with light
- Manual holder with operating manual



TRAILER

- Tubular steel frame
- Four (4) 2000 lb. (907 kg) tube and sleeve leveling jacks
- Plated outriggers lock in position when deployed
- 7,800 lb. (3538 kg.) safety chains with spring loaded safety hooks
- Molded polyethylene fenders
- DOT approved tail, side, brake, and directional lights
- 3000 lb. (1361 kg) leaf spring axle
- 15 in. (38 cm) – 6 ply Tires
- 2 in. (50.8 mm) ball hitch with tandem tow receiver

DIMENSIONS



A	B	C	D	E
10.4 ft (3.16 m)	8.4 ft (1.83 m)	23 ft (9.14 m)	5.7 ft (2 m)	12.07 ft (m)

WEIGHT

- Dry weight: 1694 lbs. (768 kg)
- Operating weight: 2770 lbs. (1256 kg)

OPTIONS

- Electric mast
- Diffuse LED fixtures
- Cold weather package options
- Canadian Package (CAN)
 - 60/40 coolant
 - Radiator hose heater
 - Heated fuel filter
 - 775CCA AGM sealed battery
 - Liquid containment
- Additional options available. Please contact a sales representative or the factory for current options.

WARRANTY

- 1 Year / Unlimited Hours
- 2 Years / 2000 Hours on tower
- 5 year limited warranty on LED modules and drivers

CERTIFICATIONS

CSA Certified

FOR MORE INFORMATION

Owner's manual is available at www.generacmobileproducts.com/resources-tools/manuals.