

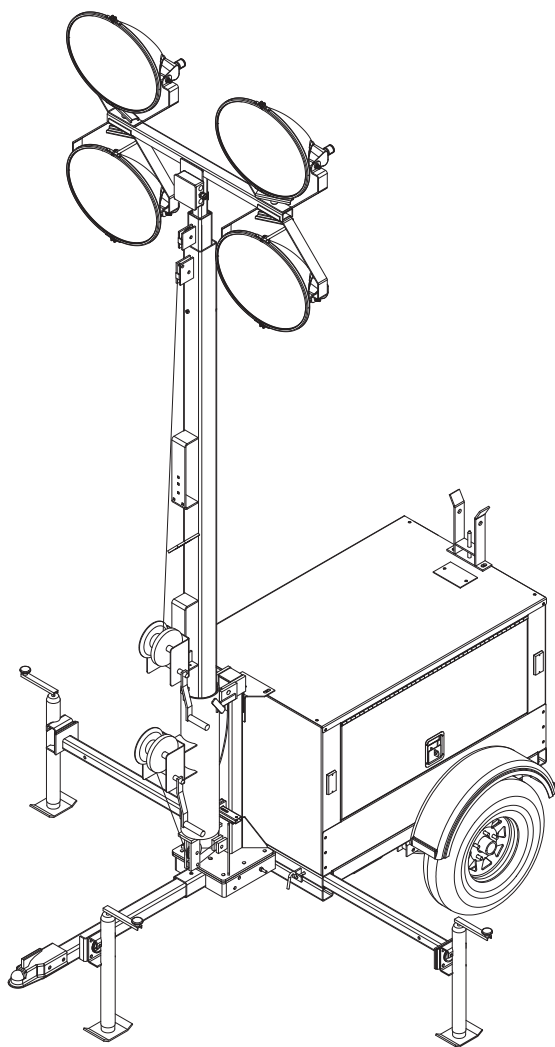
**GENERAC®**

**MOBILE  
PRODUCTS**

**DIESEL LIGHT TOWER**

**MLT3060K • MLT3060M**

**MLT3080K • MLT3080M**



01137

**PARTS MANUAL**

**⚠ WARNING**

**CALIFORNIA PROPOSITION 65 WARNING:** Diesel engine exhaust and some of its constituents are known to the state of California to cause cancer, birth defects, and other reproductive harm.

**⚠ WARNING**

**CALIFORNIA PROPOSITION 65 WARNING:** This product contains or emits chemicals known to the state of California to cause cancer, birth defects, and other reproductive harm.

## Introduction

This parts manual was prepared based on the information available at the time of publication and is subject to change without notice. Generac Mobile Products reserves the right to change parts at any time. To check whether a revised parts manual is available, contact Generac Mobile Products.

DO NOT MODIFY or use this equipment for any application other than which it was designed for. To keep your equipment fully operational, it is suggested you maintain a stock of commonly used maintenance or service parts. A recommended spare parts list can be found in the back of this manual. To order service parts, please go to [www.generacmobile.com](http://www.generacmobile.com) or call Generac Mobile Products.

### **▲ WARNING**

**Before operating or servicing this equipment, read and understand the Generac Mobile Operating Manual which was included with the unit when shipped from the factory. Failure to do so increases the risk of injury to yourself or others.**

## **GENERAC MOBILE PRODUCTS LLC**

**215 Power Drive • Berlin, WI 54923 U.S.A.**

**Phone: 920-361-4442**

**FAX: 920-361-4416**

**Toll Free: 1-800-926-9768**

**[www.generacmobile.com](http://www.generacmobile.com)**

**For technical or parts QUESTIONS, please contact the Generac Mobile Products Customer Support or Technical Support team at 1-800-926-9768.**

Engine Make: \_\_\_\_\_

Engine Serial Number: \_\_\_\_\_

Engine Model Number: \_\_\_\_\_

Generator Make: \_\_\_\_\_

Generator Model Number: \_\_\_\_\_

Generator Serial Number: \_\_\_\_\_

Unit Model Number: \_\_\_\_\_

Unit Serial Number: \_\_\_\_\_

This Page Intentionally Left Blank

# Table of Contents

Introduction .....	iii
Parts Manual Instructions.....	1
Unit Decals - Front, Rear and Top.....	2
Unit Decals - Left Side.....	3
Unit Decals - Right Side .....	4
Unit Decals - Inside Unit.....	5
Mast, Junction Box and Lights to Unit .....	6
Light Assembly .....	8
Mast Junction Box Assembly - Hard Wired Lights.....	10
Mast Junction Box Assembly - Quick Disconnect Lights Option .....	12
Mast Assembly - Manual Winch .....	14
Mast Assembly - Electric Winch .....	16
Roof and Doors to Unit.....	18
Front, Rear and Side Panels to Unit.....	20
Control Box to Unit .....	22
Control Box Assembly .....	24
Control Panel Assembly - MLT3060K, MLT3060M .....	26
Control Panel Assembly - MLT3080K, MLT3080M .....	28
Cooling System Assembly.....	30
Engine and Generator to Unit.....	32
Engine Assembly - Mitsubishi Left Side .....	34
Engine Assembly - Mitsubishi Right Side .....	36
Engine Assembly - Kubota Left Side .....	38
Engine Assembly - Kubota Right Side.....	40
Generator Assembly.....	42
Fuel Tank and Ballast Boxes to Unit .....	44
Trailer Assembly.....	46
Trailer - Jack and Hitch Options .....	48
Axle Assembly .....	50
Recommended Spare Parts List (1 of 2) .....	52
Recommended Spare Parts List (2 of 2) .....	53

This Page Intentionally Left Blank

# Parts Manual Instructions

Product illustrations are only representations. Products supplied may vary from the illustrations in this parts manual. Parts not shown in the illustration are indicated by a double dash (--) in the item column.

Please be prepared to provide the following information when ordering replacement parts: model number, serial number (on unit serial tag), part number, purchase order number (if applicable), shipping address, shipping method.

Refer to the illustration below to locate the unit ID tag and Vehicle Identification Number (VIN) tag on the unit. Important information, such as the unit serial number, model number, VIN and tire loading information are found on these tags. Record the information from these tags so it is available if the tags are lost or damaged. When ordering parts or requesting assistance, you may be asked to provide this information.

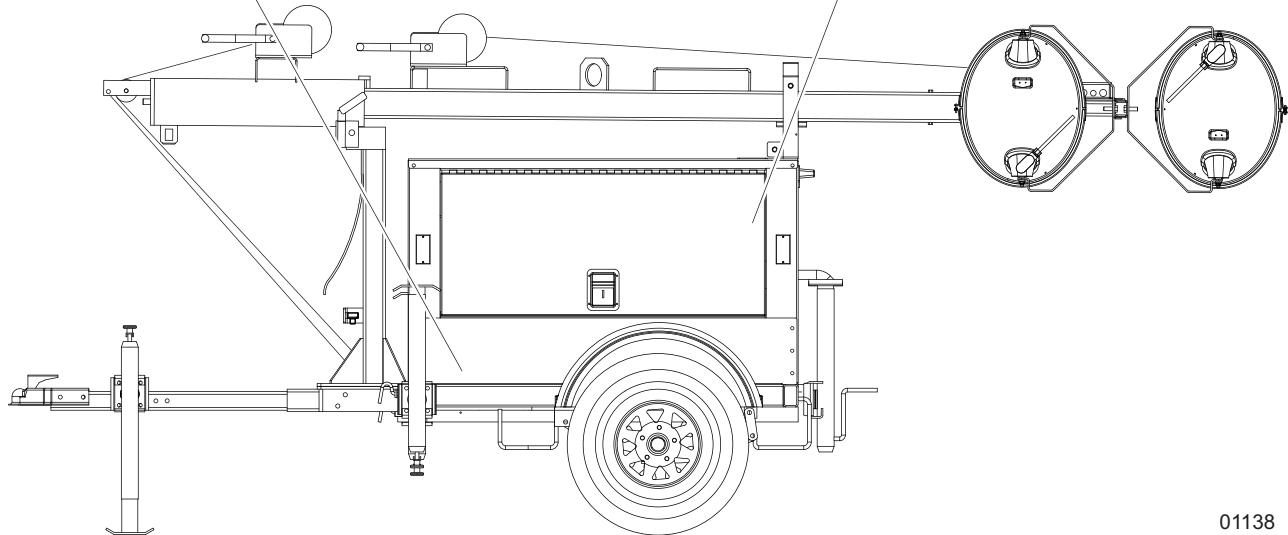
## VIN Tag

MANUFACTURED BY FABRICATOR PART: Generac Mobile Products, LLC		DATE: 000000
GVW/PWBV: 0000G (0000LBS)		COLD INF. PRESS./
GAWB / PWBSE		PIRES: LC
TIRE / PBEU		CONF A / PFCID - KPA/PSIL/PC/SGL/OUA/
PWB / LA/TE		
EACH AXLE		
VIN: N11V. 0000000000000000		MODEL: XXX000
		TYPE: TRAILER

## Unit ID Tag

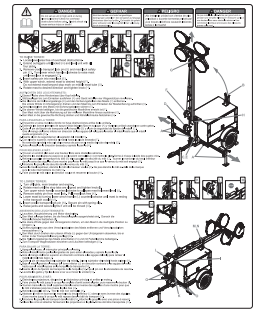
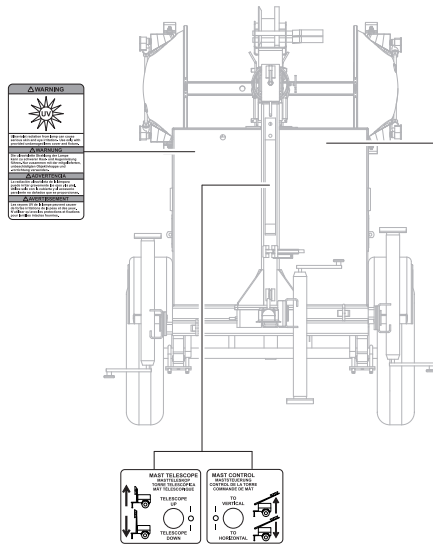
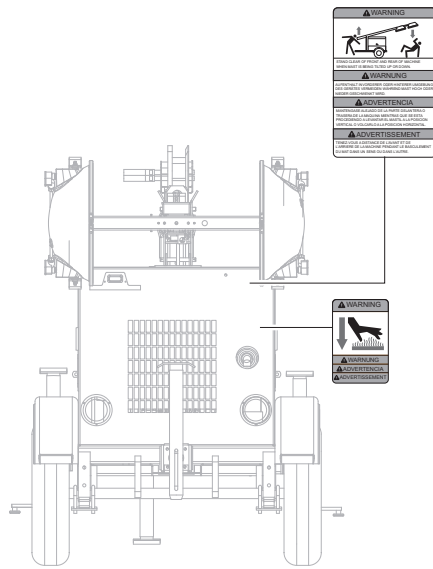
Located on inside of rear panel

Manufactured by Generac Mobile Products LLC		
(020) 361-4442	(003) 026-8708	
Quantity of Cyls:	Model:	Serial Number:
Manufacturing Code:	Weight (lbs/kg):	RPM/Frequency:
1 ph. 1.0PH	3 ph. 3PH	Rating:
KW:		
KVA:		
V:		
A:		

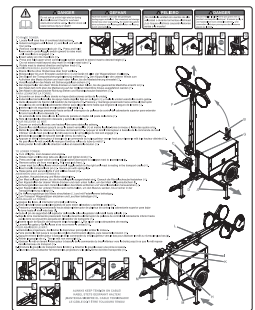


01138

# UNIT DECALS - FRONT, REAR AND TOP

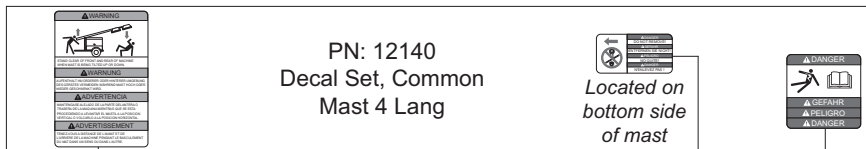


PN: 10588  
Decal, Instruction  
3000 Oval 4 Lang  
(Manual Winch Units)



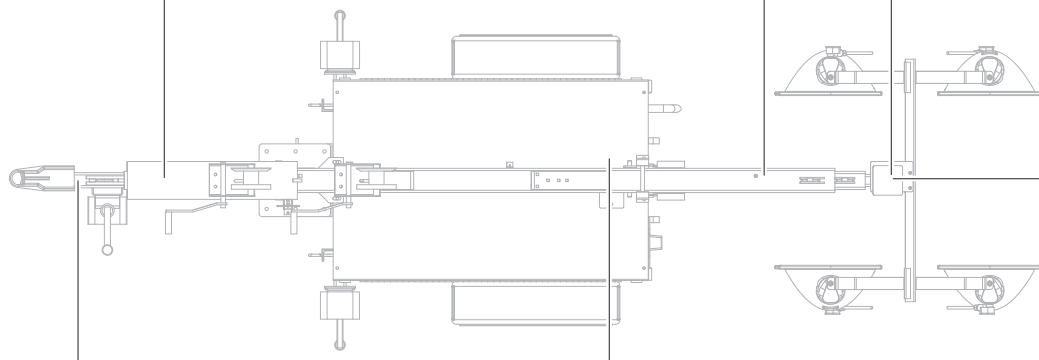
PN: 10589  
Decal, Instruction  
3000 Oval 4 Lang  
(Electric Winch Units)

PN: 50960  
Decal, Mast Telescope/Control  
(Electric Winch Units)  
*Located by toggle switches on mast for electric winch units*



PN: 12140  
Decal Set, Common  
Mast 4 Lang

*Located on  
bottom side  
of mast*



PN: 13614  
Decal, Mast Junction  
Box Wiring, 4 Light  
*Located on inside  
cover of mast  
junction box*

<p><b>TOWING INSTRUCTIONS</b></p> <ol style="list-style-type: none"> <li>1. Read and understand the towing instructions.</li> <li>2. Do not tow a load that is heavier than the rated capacity.</li> <li>3. Do not tow a load that is not properly secured.</li> <li>4. Do not tow a load that is not properly balanced.</li> <li>5. Do not tow a load that is not properly supported.</li> </ol>	<p><b>ABSOLEPPINSTRUCTIONEN</b></p> <ol style="list-style-type: none"> <li>1. Lese en begrijp de trekvoorschriften.</li> <li>2. Trek geen zwaarder lading dan de aangegeven draagvermogen.</li> <li>3. Trek geen lading die niet goed is vastgemaakt.</li> <li>4. Trek geen lading die niet goed is gebalanceerd.</li> <li>5. Trek geen lading die niet goed is ondersteund.</li> </ol>	<p><b>INSTRUCCIONES DE REMOLQUE</b></p> <ol style="list-style-type: none"> <li>1. Lea y entienda las instrucciones de remolque.</li> <li>2. No remolque una carga que sea más pesada que la capacidad nominal.</li> <li>3. No remolque una carga que no esté correctamente asegurada.</li> <li>4. No remolque una carga que no esté correctamente equilibrada.</li> <li>5. No remolque una carga que no esté correctamente soportada.</li> </ol>	<p><b>INSTRUCCIONES DE REMOLQUE</b></p> <ol style="list-style-type: none"> <li>1. Lese en begrijp de trekvoorschriften.</li> <li>2. Trek geen zwaarder lading dan de aangegeven draagvermogen.</li> <li>3. Trek geen lading die niet goed is vastgemaakt.</li> <li>4. Trek geen lading die niet goed is gebalanceerd.</li> <li>5. Trek geen lading die niet goed is ondersteund.</li> </ol>
---	---	--	---

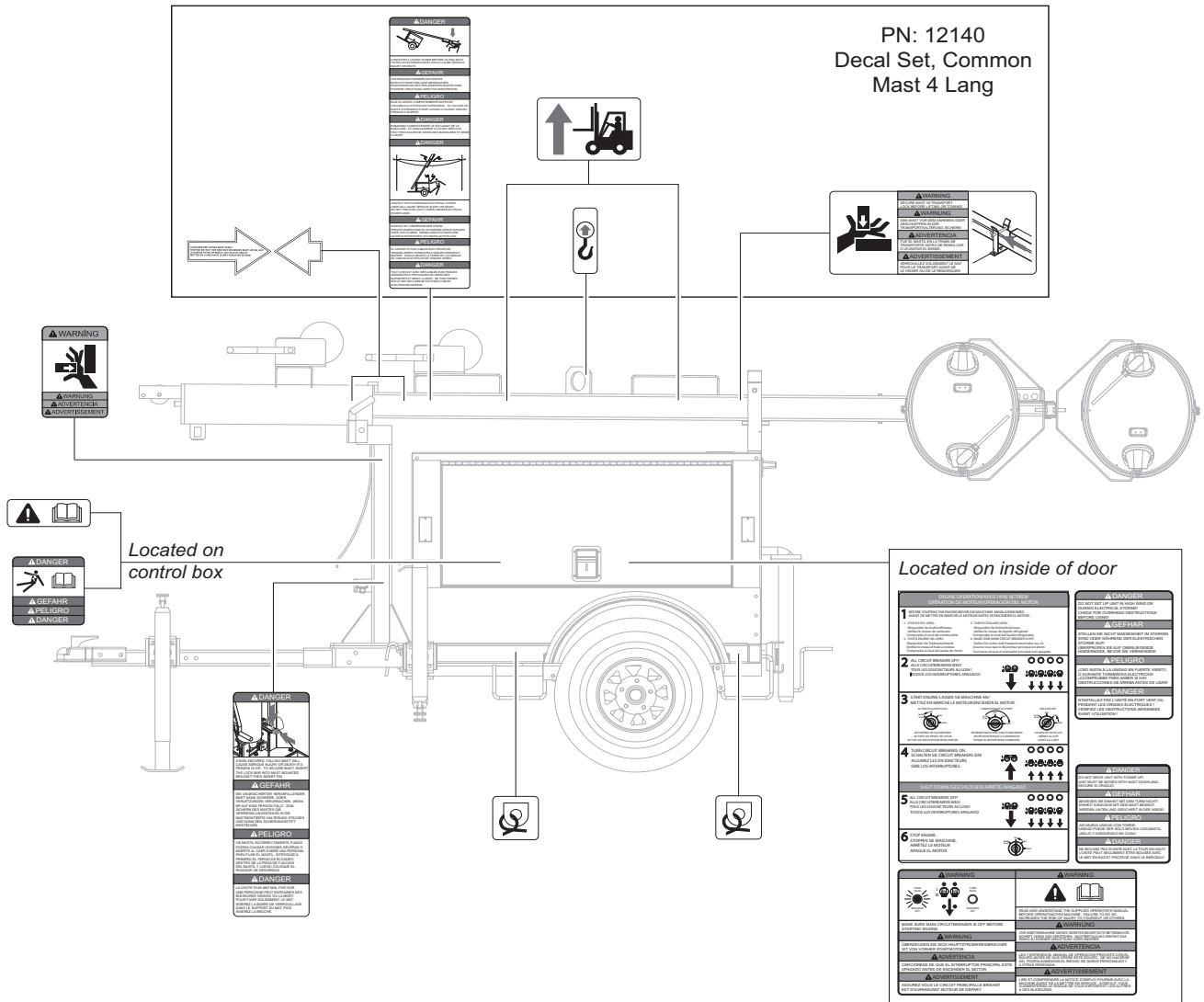


01356

**Note:** All safety and operating decals are located on decal sheet 12141, unless otherwise noted.



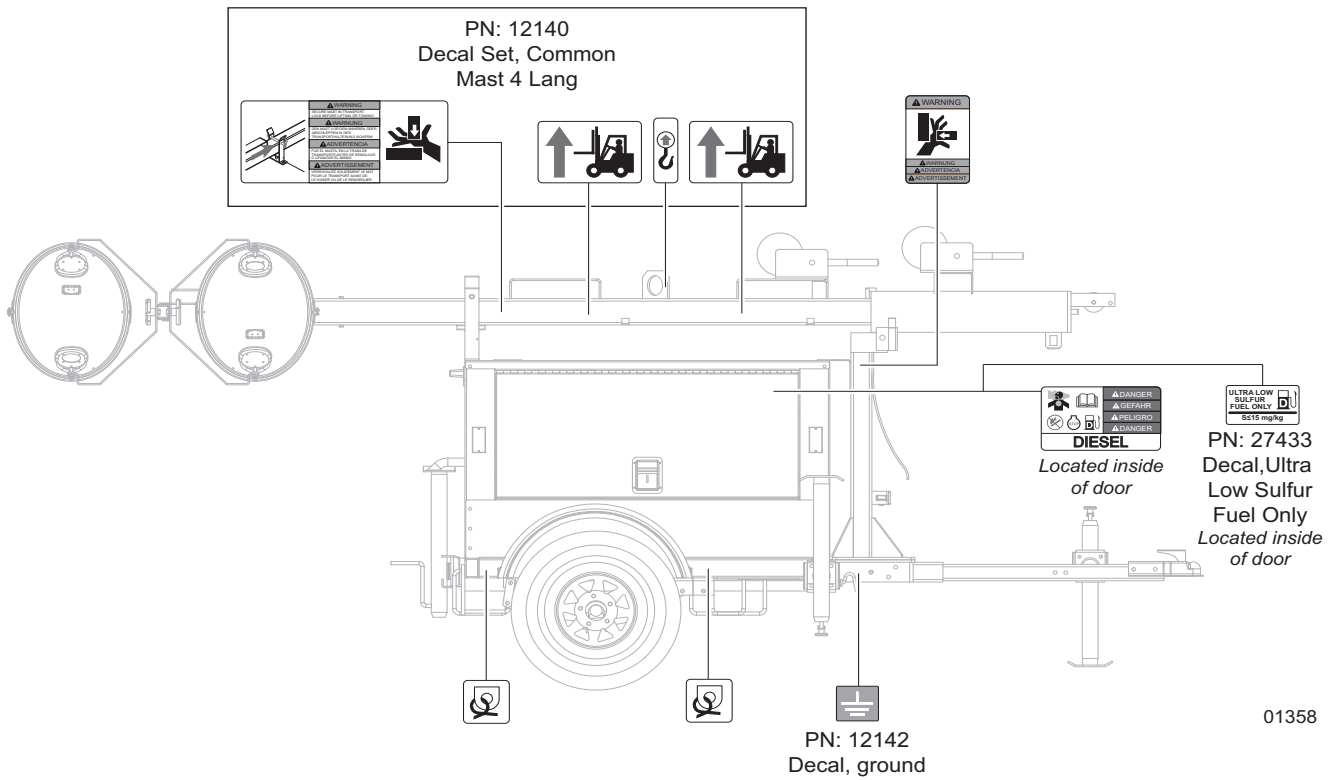
# UNIT DECALS - LEFT SIDE



01357

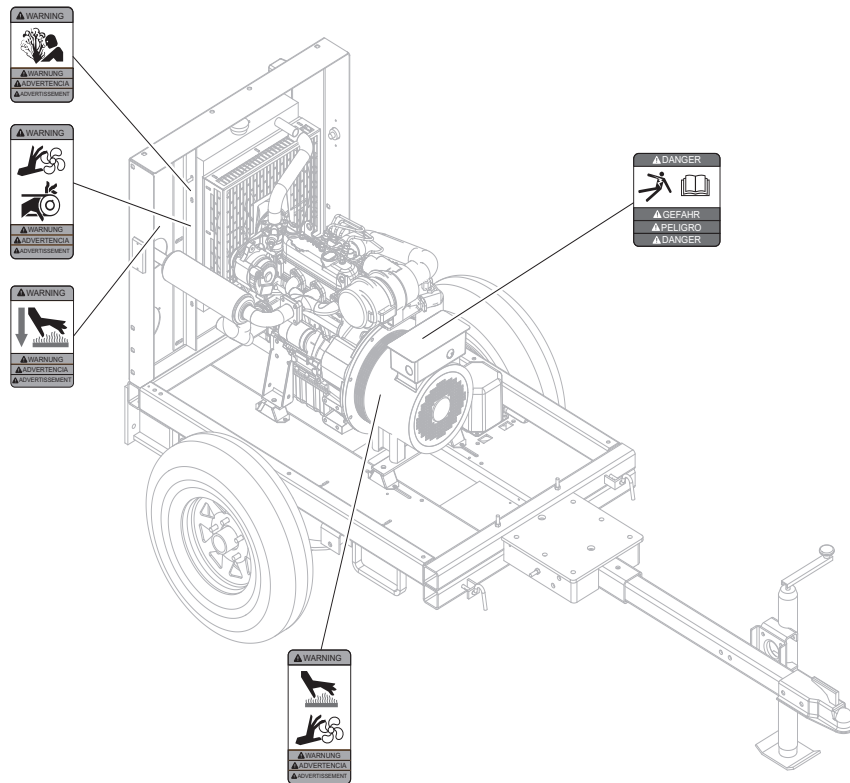
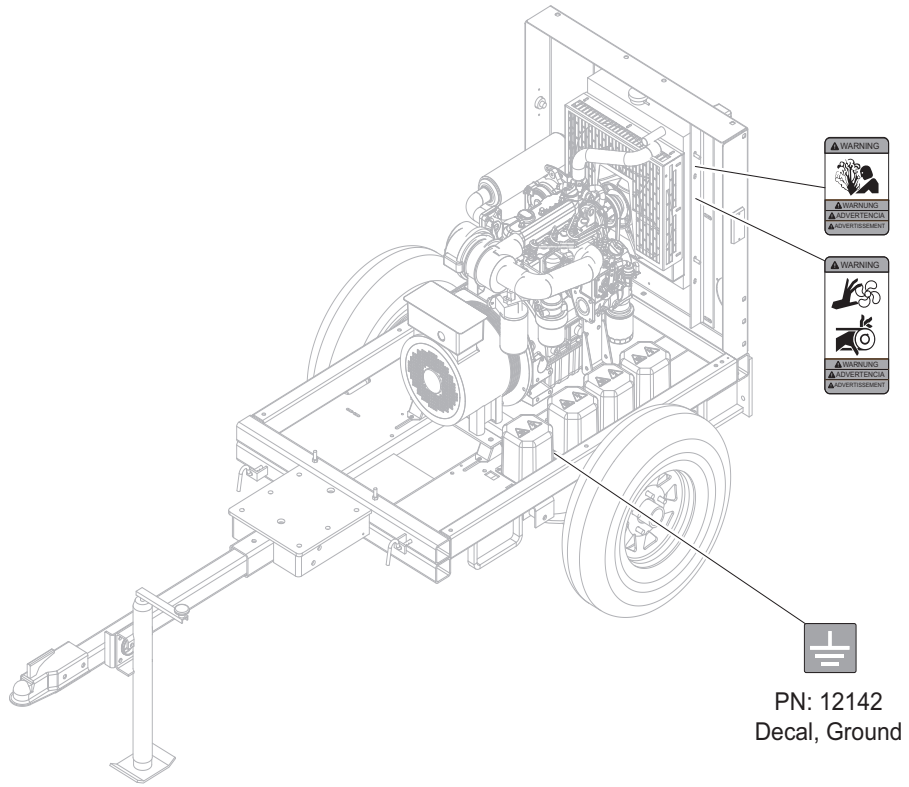
**Note:** All safety and operating decals are located on decal sheet 12141, unless otherwise noted.

# UNIT DECALS - RIGHT SIDE



**Note:** All safety and operating decals are located on decal sheet 12141, unless otherwise noted.

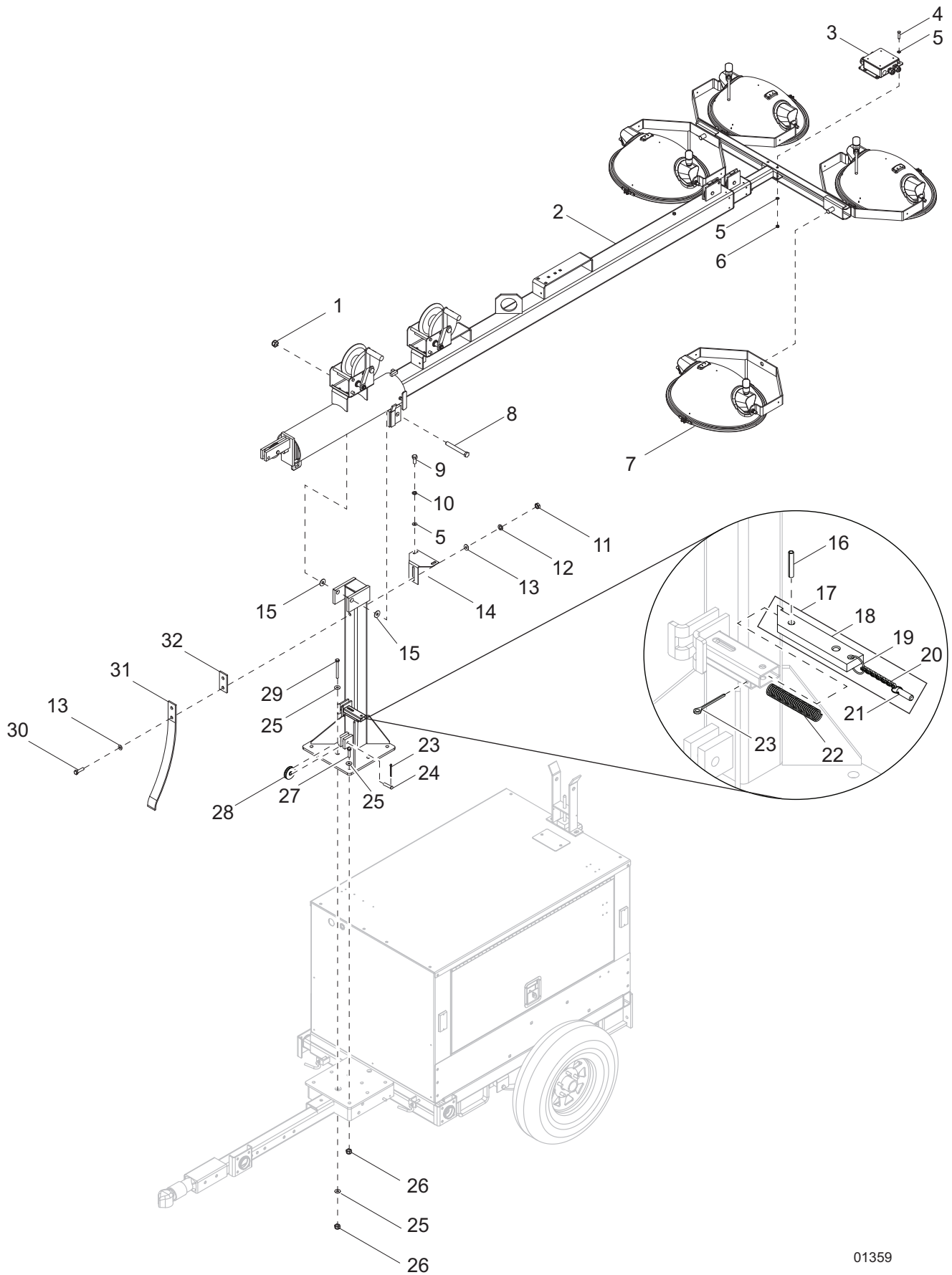
# UNIT DECALS - INSIDE UNIT



00697

**Note:** All safety and operating decals are located on decal sheet 12141, unless otherwise noted.

# MAST, JUNCTION BOX AND LIGHTS TO UNIT



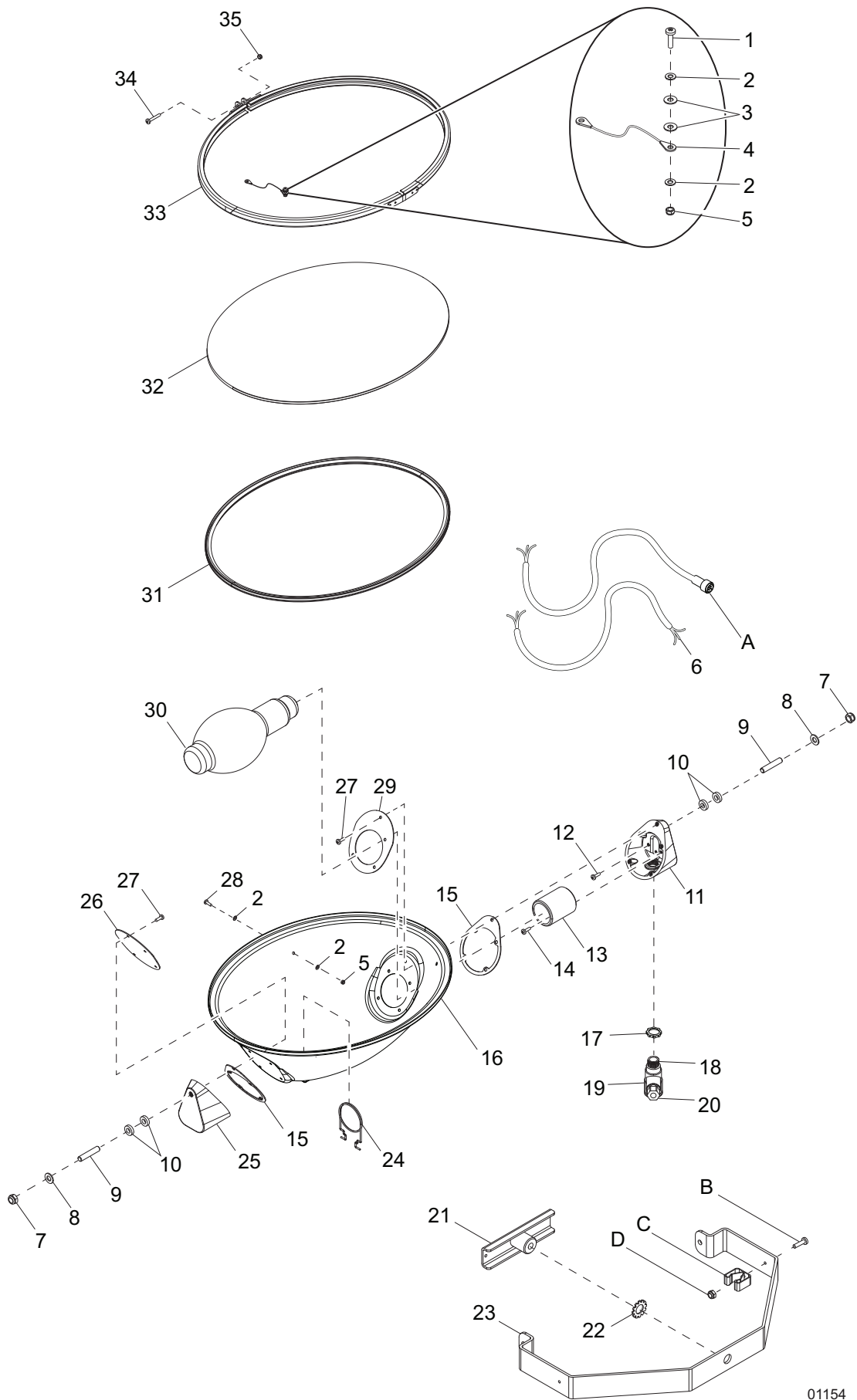
01359

## MAST, JUNCTION BOX AND LIGHTS TO UNIT

---

Item	Part No.	Qty	Description	Notes
1	60584	1	Nut, .750-10 nylock, G5	
2	13536	1	Assembly, mast	
3	13020	1	Assembly, mast junction box	
4	60753	2	Screw, .375-16 x 3.50 std hex, G5	
5	60698	6	Washer, .375 flat .875/.040, SS	
6	60358	2	Nut, .375-16 nylock, G5	
7	<a href="#">Page 8</a>	4	Assembly, light	
8	15292	1	Screw, .750-10 x 6.50 std hex, SS	
9	60690	2	Screw, .375-16 x 1.0 std hex, SS	
10	60703	2	Washer, .375 split lock, SS	
11	14229	2	Nut, .500-13 hex, G2	
12	60702	2	Washer, .500 split lock, SS	
13	60699	4	Washer, .500 flat 1.070/.080, SS	
14	14459B	1	Bracket, door adjustment	
15	60744	2	Washer, .750 flat 1.250/.060	
16	15165	1	Pin, roll - .250 x 1.25	
17	11215	1	Assembly, latch bar	
18	14663Z	1	Bar, latch	
19	60706	1	Ring, split - 1.0, SS	
20	60707	.58 ft	Chain, sash, SS	
21	14403	1	Pin, cotterless - .312 x 1.0	
22	14275	1	Spring, compression - .60 OD x 2.75 x .054	
23	15380	2	Pin, cotter - .125 x 1.250	
24	35655	1	Pin, clevis - .500 dia x 1.75	
25	60309	10	Washer, .500 flat 1.060/.090	
26	62221	8	Nut, .500-13 nylock, G5	
27	60683	6	Screw, .500-13 x 1.50 std hex, SS	
28	14261	1	Sheave - 2 in	
29	60659	2	Screw, .500 - 13 x 5.0 std hex, G5	
30	60732	2	Screw, .500 - 13 x 5.5 std hex, SS	
31	14845B	1	Spring, kickback - 50 lb	
32	11554Z	1	Spacer plate - kick-back spring	

# LIGHT ASSEMBLY

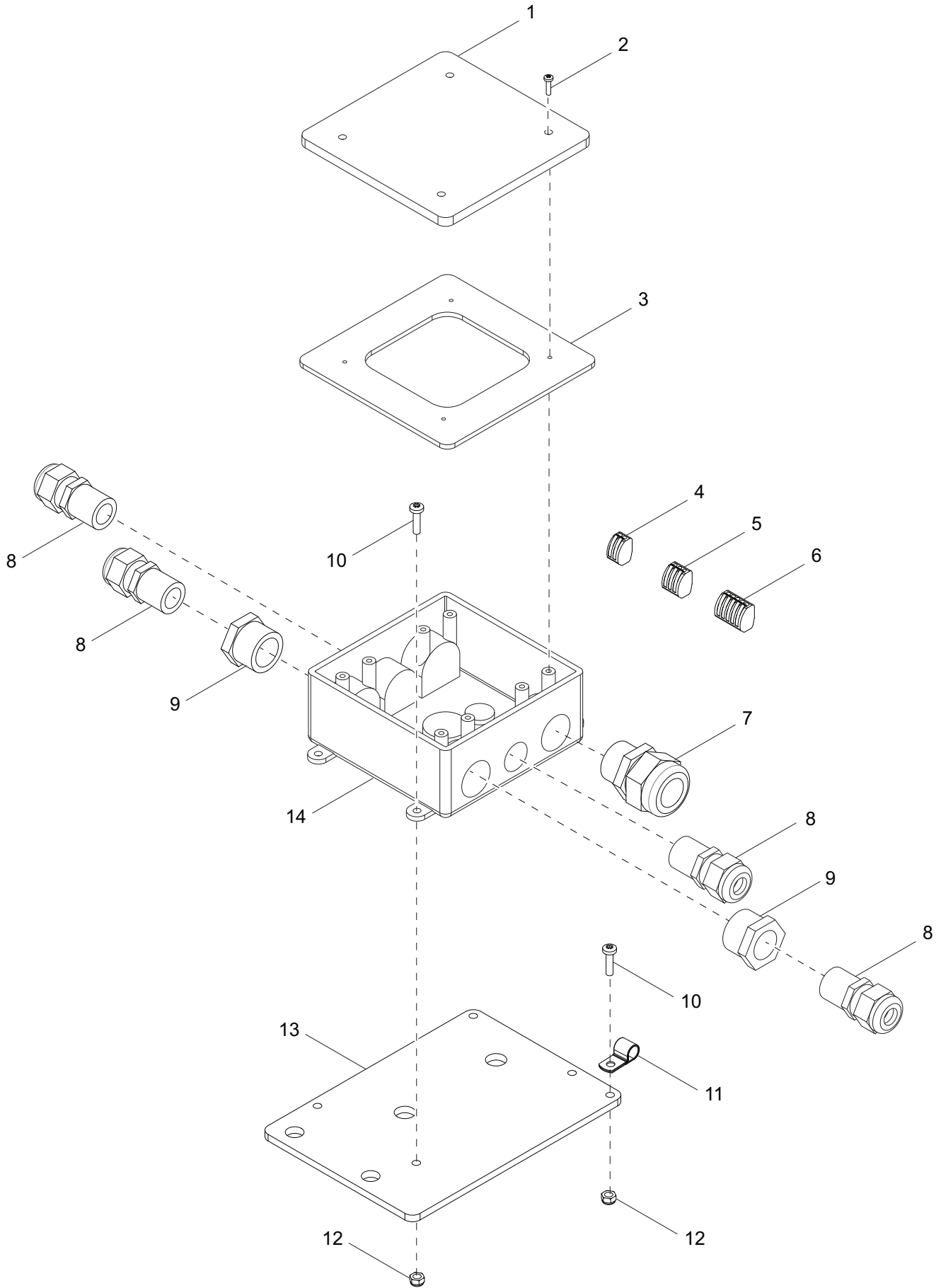


01154

## LIGHT ASSEMBLY

Item	Part No.	Qty	Description	Notes
1	13399	1	Screw, M4 x 18 pan phil	
2	13371	4	Washer, #4	
3	13372	2	Washer, #4 nylon	
4	13370	1	Assembly, tether	
5	13395	2	Nut, M4 nylock	
6	13438	1	Cord, power - hard wired	
7	62221	2	Nut, .500-13 nylock, G5	
8	60247	2	Washer, .750 flat 2.020/.090	
9	13392	2	Stud, trunnion mounting	
10	13390	4	Washer, .500 nylon	
11	13374	1	Support, housing/trunnion w/out cord	
12	13393	1	Screw, M5 x 12 phillips green	
13	13381	1	Socket, bulb w/out threaded insert	
14	13396	2	Screw, pan phillips	
15	13378	2	Gasket, silicone	
16	13366	1	Housing assembly	
17	15861	1	Nut, special, .500NPT lock	
18	13386	1	Fitting, nipple - .500	
19	13387	1	Connector, weathertight - 500	
20	15864	1	Strain relief, .500NPT watertight, .270/.464 ID	
21	13403	1	Handle, T - wing nut	
22	61174	1	Washer, .750 external star	
23	13368	1	Trunnion	
24	13380	1	Bracket, bulb support	
25	13375	1	Support, housing/trunnion w/cord	
26	13377	1	Bracket, non socket end plate	
27	13388	10	Screw, M5 x 12 flg hex, slotted	
28	13394	1	Screw, M4 x 10 pan phil	
29	13376	1	Bracket, socket end plate	
30	11391	1	Bulb, 1000W MH short length	
31	13373	1	Gasket, lens	
32	13369	1	Lens, glass	
33	13367	1	Assembly, aluminum ring	
34	13398	1	Screw, ground	
35	13397	1	Nut, nylock	
--	13311	1	Assembly, light - hard wired	Items 1 - 35
<b>OPTIONAL FEATURES</b>				
<i>Quick Disconnect Light:</i>				
A	13383	1	Cord, power quick disconnect	Replaces item 6
B	60398	1	Screw, 10-32 x .500 pan phil, SS	
C	19041	1	Clip, spring holder	
D	60061	1	Nut, 10-32 nylock	
--	13601	1	Assembly, light - quick disconnect, cord clip	

# MAST JUNCTION BOX ASSEMBLY - HARD WIRED LIGHTS



01155

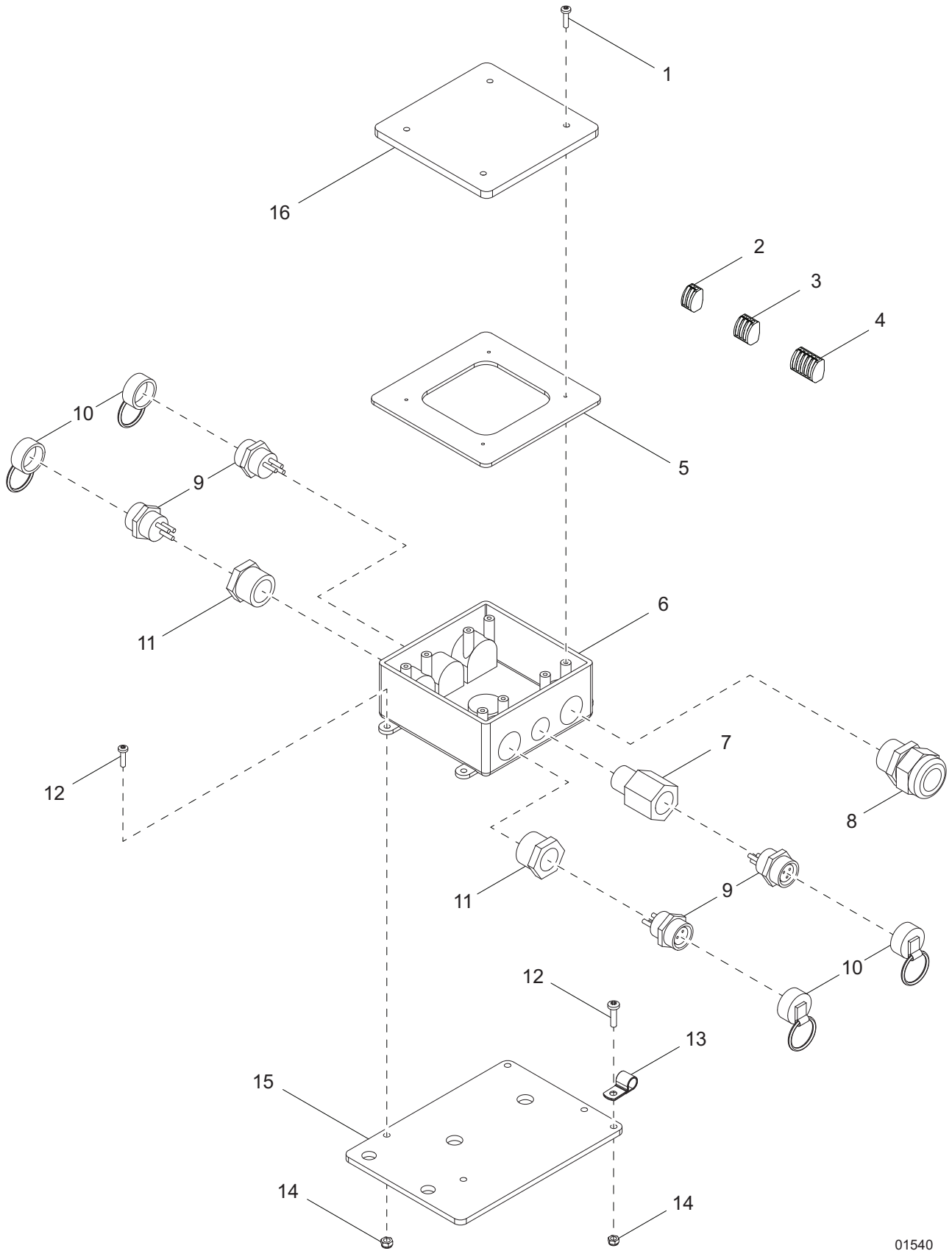


## MAST JUNCTION BOX ASSEMBLY - HARD WIRED LIGHTS

---

Item	Part No.	Qty	Description	Notes
1	12109	1	Cover, box, 2 gang plastic	
2	60424	4	Screw, 6-32 x .750 pan phil, G2, self thread	
3	13749	1	Gasket, junction box	
4	66100	4	Connector, 2 position	
5	66101	2	Connector, 3 position	
6	66102	1	Connector, 5 position	
7	15864	4	Strain relief - .500NPT watertight, .270/464 ID	
8	14656	1	Strain relief - .750NPT watertight, .545/709 ID	
9	60755	2	Fitting, strt - .750MNPT x .500FNPT, nylon	
10	60062	5	Screw, 10-32 x .750 pan phil, G2	
11	16143	1	Clamp, tubing - .500	
12	60415	5	Nut, 10-32 nylock, SS	
13	12095B	1	Bracket, junction box - black	
14	12094	1	Box, junction	
--	11789	1	Assembly, mast junction box - hard wired	Items 1 - 14

# MAST JUNCTION BOX ASSEMBLY - QUICK DISCONNECT LIGHTS OPTION



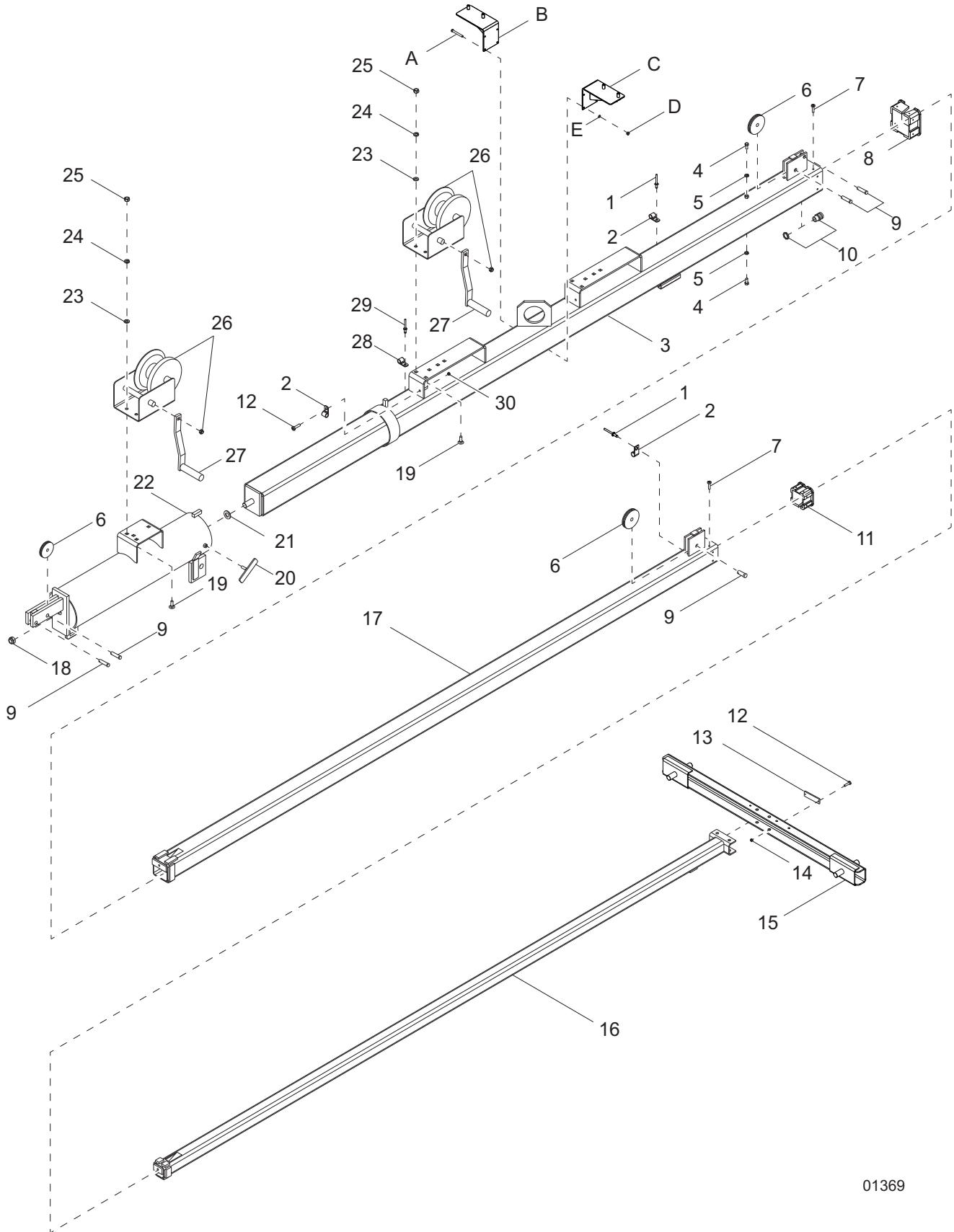
01540

## MAST JUNCTION BOX ASSEMBLY - QUICK DISCONNECT LIGHTS OPTION

---

Item	Part No.	Qty	Description	Notes
1	60424	4	Screw, 6-32 x .750 pan phil, G2, self thread	
2	66100	4	Connector, 2 position	
3	66101	2	Connector, 3 position	
4	66102	1	Connector, 5 position	
5	13749	1	Gasket, junction box	
6	12094	1	Box, junction	
7	12713	1	Fitting, strt - .500MNPT x .500FNPT, steel	
8	14656	1	Strain relief, .750NPT, watertight	
9	15403	4	Connector, quick disconnect - female	
10	12410	4	Assembly, quick disconnect receptacle cap w/chain	
11	60755	2	Fitting, strt - .750MNPT x .500FNPT, nylon	
12	60062	5	Screw, 10-32 x .750 pan phil, G2	
13	16143	1	Clamp, tubing - .500	
14	60415	5	Nut, 10-32 nylock, SS	
15	12095B	1	Bracket, junction box - black	
16	12109	1	Cover, box, 2 gang plastic	
--	11957	1	Assembly, mast junction box - quick disconnect	Items 1 - 16

# MAST ASSEMBLY - MANUAL WINCH



01369

# MAST ASSEMBLY - MANUAL WINCH

Item	Part No.	Qty	Description	Notes
1	60268	2	Rivet, .188 dia x .126 to .250 grip	
2	16143	3	Clamp, tubing - .500	
3	11933B	1	Weldment, mast - 4.0 in	
4	60168	2	Screw, .312 x 18 x .750 std hex, G5	
5	60271	2	Washer, .312 split lock	
6	14262	3	Sheave 3 in	
7	32569	15	Screw, 8-16 x .375 pan phil, SS	
8	13790	1	Shim - 4x4 tube	
9	63325	5	Pin, clevis - .500 dia x 1.063	
10	14871	1	Strain relief, .500NPT, .500 cord	
11	13789	1	Shim - 3x3 tube	
12	60062	3	Screw, 10-32 x .750 pan phil, G2	
13	15829	1	Reflector - red	
14	60061	2	Nut, 10-32 nylock	
15	13527B	1	Weldment, mast crossbar	
16	16257B	1	Weldment, mast - 2.0 in	
17	11934B	1	Weldment, mast - 3.0 in	
18	60584	1	Nut, .750-10 nylock, G5	
19	60658	6	Screw, .375-16 x 1.0 carr sqr, G5	
20	11649Z	1	Weldment, t-bolt	
21	60247	1	Washer, .750 flat 2.020/.130	
22	11902B	1	Weldment, mast tube	
23	60698	6	Washer, .375 flat .875/.040 18-8, SS	
24	60206	6	Washer, .375 split lock	
25	60140	6	Nut, .375-16 hex, G5	
26	16600	2	Winch, manual - 1500 lb	Nut included
27	15623	2	Winch handle - 9.00 in	
28	15627	1	Clamp, tubing - .625 heavy duty	
29	60195	1	Rivet, .188 dia x .375 to .500 grip large flange	
30	60415	1	Nut, 10-32 nylock 18-8, SS	
--	15006	1	Cable - .188 in. x 27 ft steel w/ball swedge	Attaches to item 3
--	14151	1	Cable - .188 in. x 11 ft steel w/ball swedge	Attaches to item 17
--	14798	1	Cable - .188 in. x 16 ft steel w/teardrop	Attaches to item 22
--	11954	1	Cord, coil	
--	15002	2	Clip, wire rope .188, single saddle	
--	15003	1	Thimble, cable - .188	

## OPTIONAL FEATURES

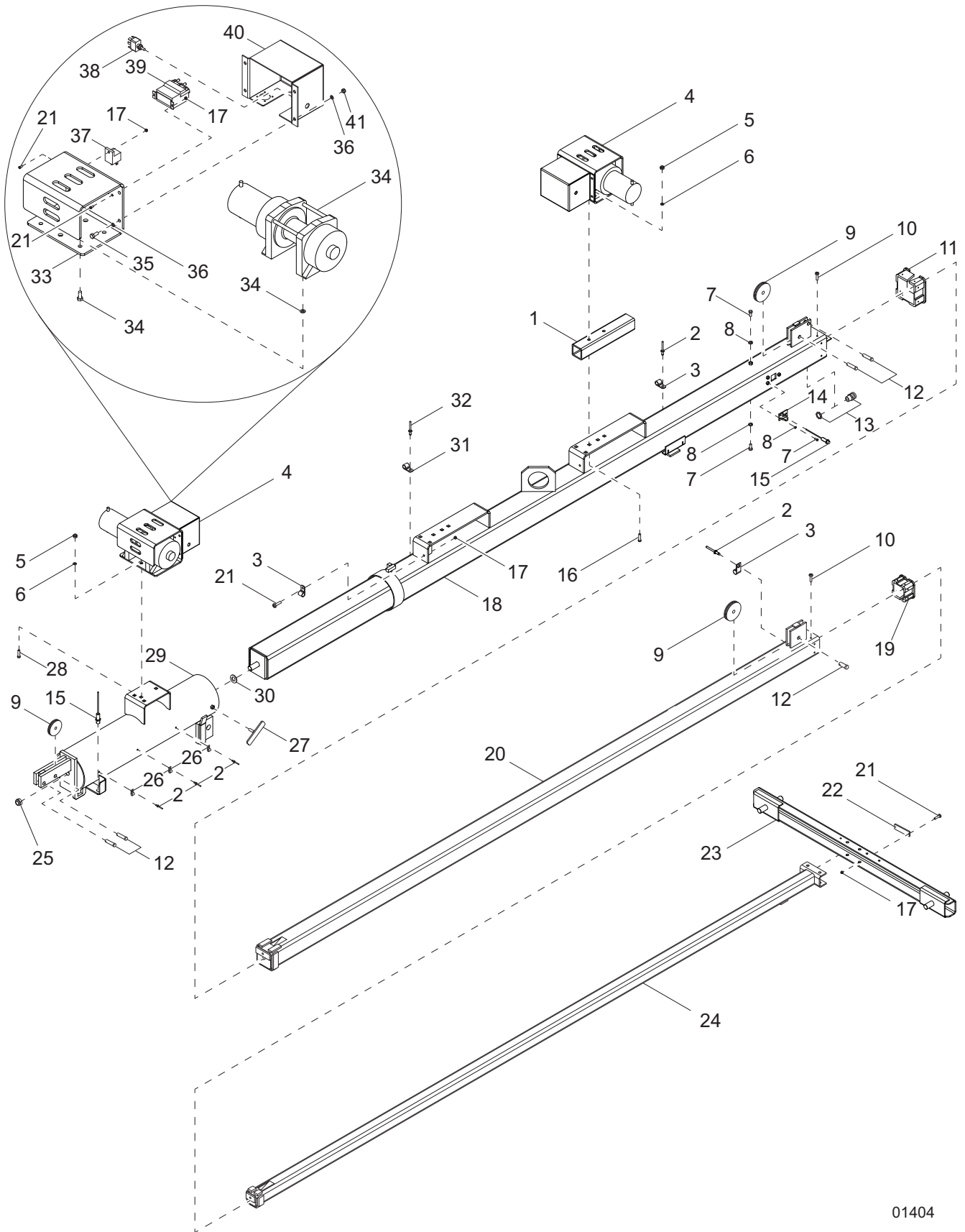
### Mast Light Storage:

A	60780	4	Screw, .375-16 x 5.5 std hex, G5
B	13869B	1	Weldment, oval light storage - RH
C	13870B	1	Weldment, oval light storage - LH
D	60679	4	Nut, .375-16 hex SS
E	60703	4	Washer, .375 split lock, SS

### Drape Cord

--	14128	1	Cord, drape - 33 ft	Replaces coil cord
----	-------	---	---------------------	--------------------

# MAST ASSEMBLY - ELECTRIC WINCH

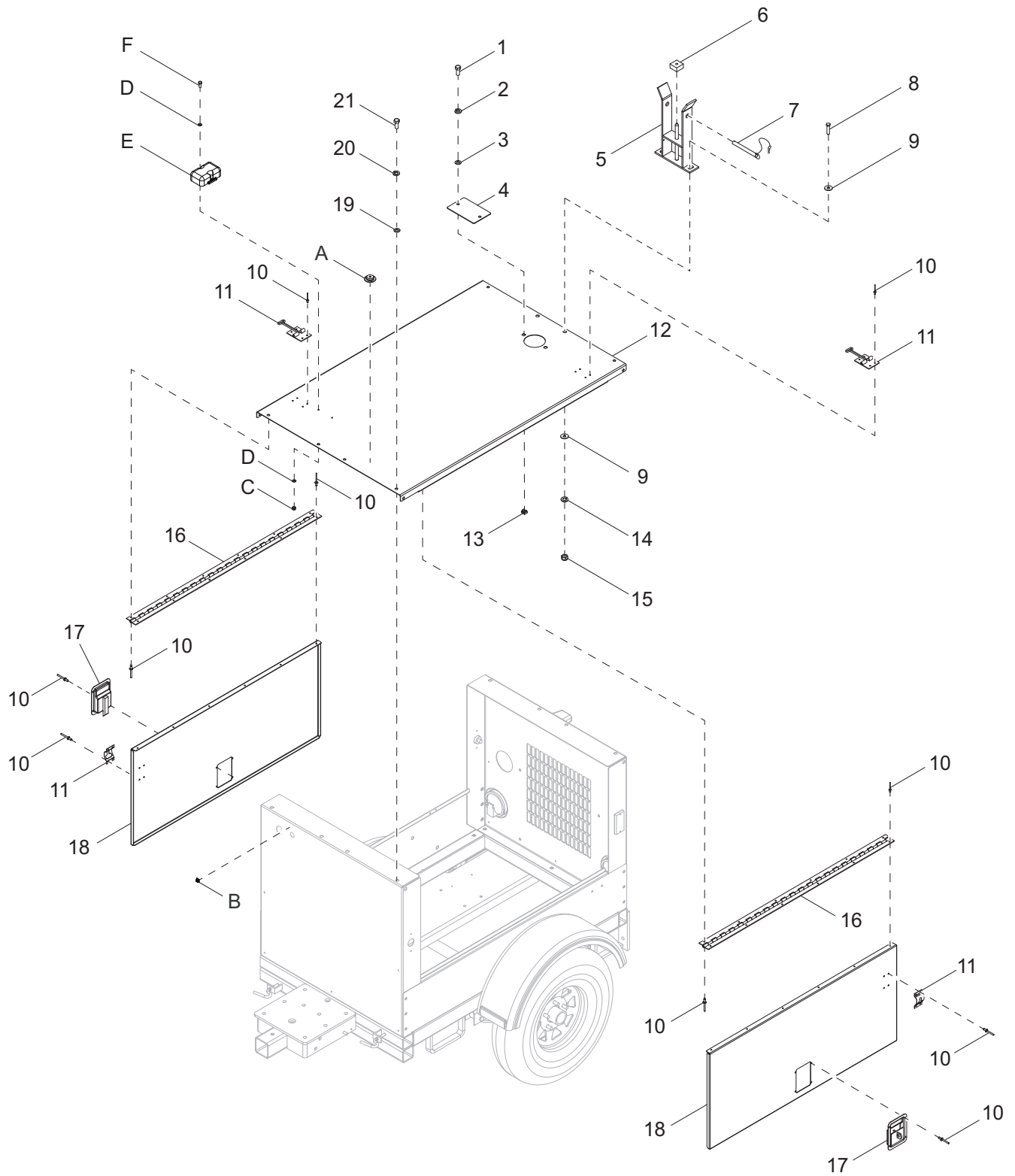


01404

## MAST ASSEMBLY - ELECTRIC WINCH

Item	Part No.	Qty	Description	Notes
1	11967B	1	Tube, mount	
2	60268	5	Rivet, .188 dia x .126 to .250 grip, SS	
3	16143	3	Clamp, tubing, .500	
4	10649	2	Assy, electric winch	
5	60358	4	Nut, .375-16 nylock, G5	
6	60386	4	Washer, .375 flat .993/.064	
7	60168	5	Screw, .312-18 x 7.50 std hex, G5	
8	60271	5	Washer, .312 split lock	
9	14262	3	Sheave - 3 in	
10	32569	15	Screw, 8-16 x .375 pan phil, SS	
11	13790	1	Shim - 4x4 tube	
12	35655	5	Pin, clevis - .500 dia x 1.75	
13	14871	1	Strain relief - .50NPT, .500 cord	
14	13796B	1	Weldment, proximity sensor bracket	
15	65511	2	Sensor, proximity	
16	60991	2	Screw, .375-16 x 3.0 carr sqr, G5	
17	60061	5	Nut, 10-32 nylock	
18	12085B	1	Weldment, mast - 4.0	
19	13789	1	Shim - 3x3 tube	
20	12084B	1	Weldment, mast - 3.0	
21	60062	9	Screw, 10-32 x .750 pan phil, G2	
22	15829	1	Reflector, red	
23	13527B	1	Weldment, mast crossbar	
24	16257B	1	Weldment, mast - 2.0	
25	60584	1	Nut, .750-10 nylock, G5	
26	60375	3	Clamp, tubing - .312	
27	11649Z	1	Weldment, t-bolt	
28	60658	2	Screw, .375-16 x 1.0 carr sqr, G5	
29	12876B	1	Weldment, mast tube	
30	60247	1	Washer, .750 flat 2.020/.130	
31	15627	1	Clamp, tubing - .625	
32	60195	1	Rivet, .188 dia x .375 to .500 grip, large flange	
33	12872B	2	Bracket, winch mounting	
34	12874	2	Winch, electric - 770 lb hoist	Hardware included
35	60281	8	Screw, .250-20 x .750 std hex, G5	
36	60243	16	Washer, .250 flat .735/.060	
37	65049	2	Relay, 12V 30/40A NO w/diode	
38	65707	2	Switch, toggle - SPDT, spring weatherproof	
39	11293	2	Contact, 12V	
40	12875B	2	Cover, winch contactor	
41	60144	8	Nut, .250-20 nylock, G5	
--	35845	1	Wire group, electric winch	
--	66819	1	Wire group, electric winch cables	
--	12922	4	Boot, battery cable	
--	15006	1	Cable - .188 in. x 27 ft. steel w/ball swedge	Attaches to item 18
--	14798	1	Cable - .188 in. x 16 ft. steel w/teardrop	Attaches to item 29
--	14151	1	Cable - .188 in. x 11 ft. steel w/ball swedge	Attaches to item 20
--	15003	1	Thimble, cable - .188	
--	15002	1	Clip, wire rope .188, single saddle	
--	11954	1	Cord, coil	

# ROOF AND DOORS TO UNIT



01446



## ROOF AND DOORS TO UNIT

---

Item	Part No.	Qty	Description	Notes
1	60507	2	Screw, .312-18 x 1.0 std hex, SS	
2	60701	2	Washer, .312 split lock, SS	
3	60340	2	Washer, .312 flat .875/.040, SS	
4	11096W	1	Panel, radiator access	
5	12344ZN	1	Weldment, cradle	
6	11935	1	Pad, rubber	
7	16099	1	Assembly, cradle pin	
8	60683	2	Screw, .500-13 x 1.50 std hex, SS	
9	60699	4	Washer, .500 flat 1.070/.080, SS	
10	60268	48	Rivet, .188 dia x .126 to .250 grip	
11	12605	2	Door latch SS - T style	
12	11062W	1	Panel, top	
13	15425	2	Nut, .312-18 cage	
14	60702	2	Washer, .500 split lock, SS	
15	14229	2	Nut, .500-13 hex, G2	
16	16598	2	Hinge, door - .188 pin, 48.5 in. long	
17	15123	2	Latch, paddle - 7 lb spring	
18	11066W	2	Panel, door	
19	60698	6	Washer, .375 flat .875/.040, SS	
20	60703	6	Washer, .375 split lock, SS	
21	60690	6	Screw, .375-16 x 1.0 std hex, SS	

### OPTIONAL FEATURES

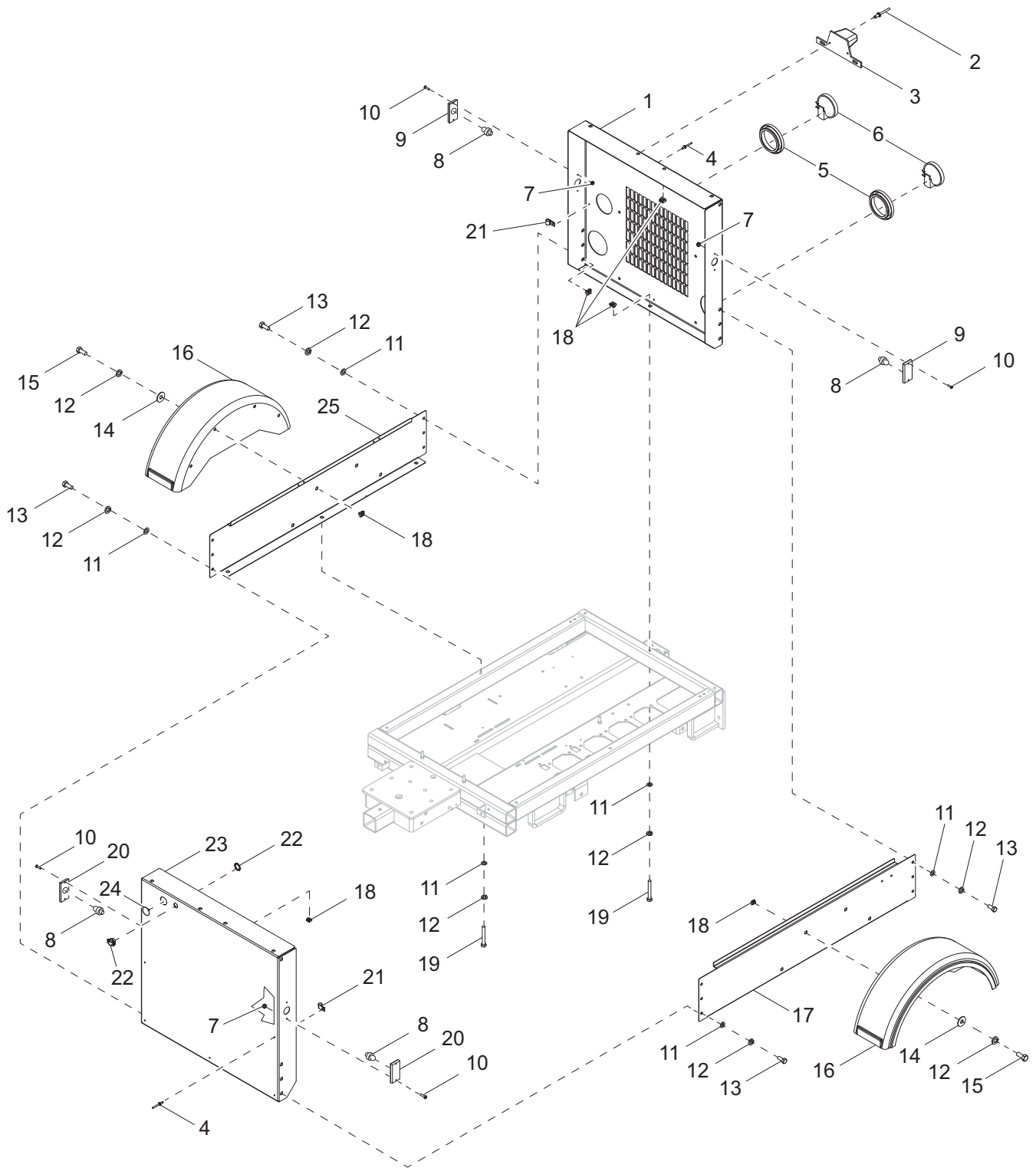
#### *Level Indicator:*

A	14433	1	Level, eye
---	-------	---	------------

#### *Telemetry:*

B	61055	1	Clip, rod hold
C	60061	2	Nut, 10-32 nylock
D	60067	4	Washer, flat .435/.060 18-8
E	37731	1	Telemetry, ZTR M6H
F	61180	2	Screw, 10-32 x .750 pan phil 18-8
--	37785	1	Harness, ZTR M6H

# FRONT, REAR AND SIDE PANELS TO UNIT



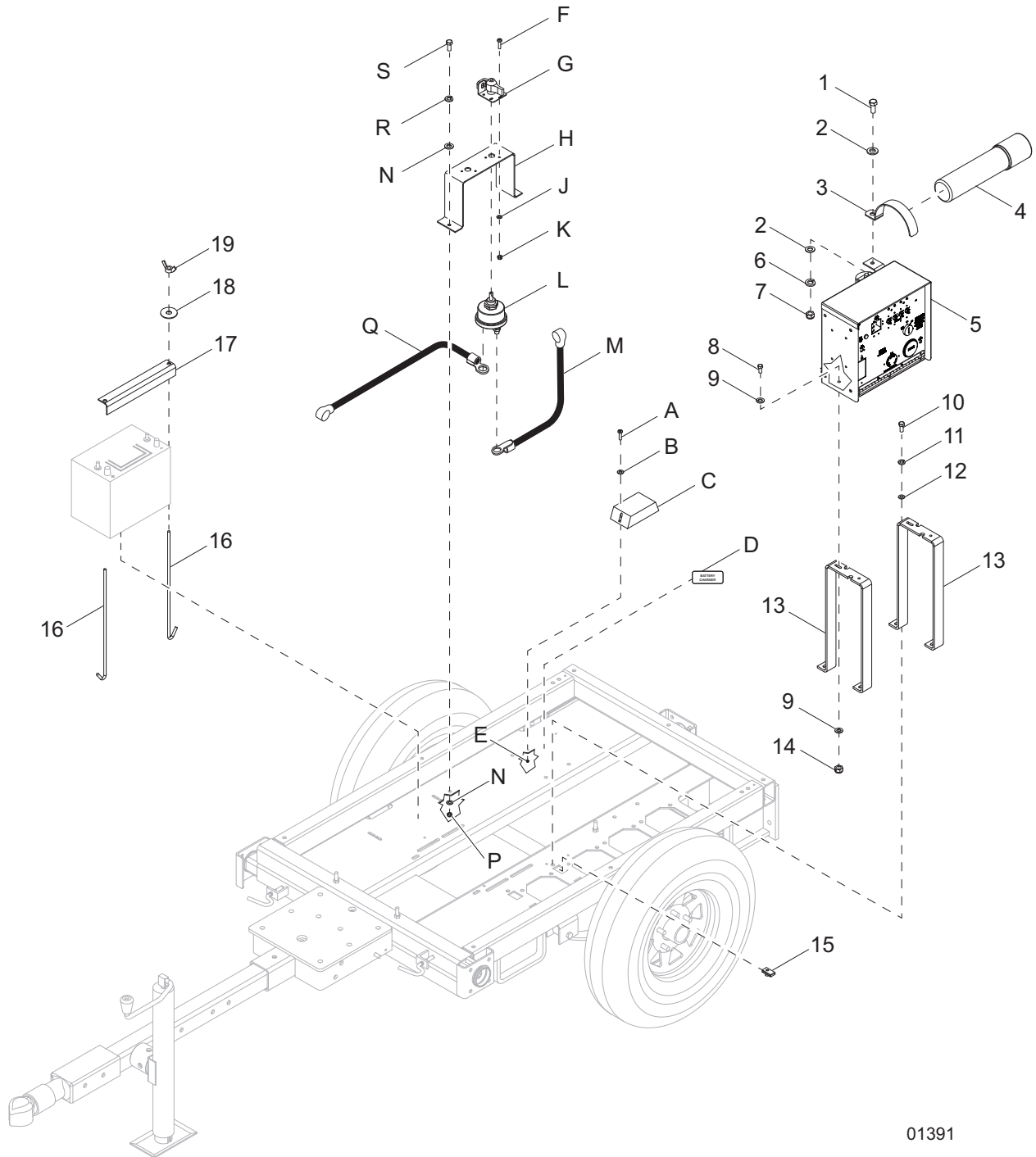
01390

## FRONT, REAR AND SIDE PANELS TO UNIT

---

Item	Part No.	Qty	Description	Notes
1	11060W	1	Panel, rear	
2	60423	2	Rivet, .188 dia x .250 to .375 grip	
3	10223	1	Assembly, license plate light/holder	
4	60268	10	Rivet, .188 dia x .126 to .250 grip, SS	
5	10221	2	Grommet, rear light, rubber 4.5 in	
6	10219	2	Assy, rear tail/turn light, 3-wire w/plug	
7	60270	8	Nut, 8-32 nylock, class 6	
8	65661	4	Bulb - light, clearance marker	
9	66372	2	Light, clearance marker - red	
10	60694	8	Screw, 8-32 x .750 pan phil, SS	
11	60698	21	Washer, .375 flat .875/.040, SS	
12	60703	29	Washer, .375 split lock, SS	
13	60690	12	Screw, .375-16 x 1.0 std hex, SS	
14	60729	8	Washer, .375 fender 1.50/.090	
15	60295	8	Screw, .375-16 x .750 std hex, SS	
16	16560	2	Fender, plastic shell	
17	12015W	1	Panel, side - left	
18	60657	39	Nut, .375-18 cage	
19	60689	9	Screw, .375-16 x 4.0 std hex, SS	
20	66373	2	Light, clearance marker - amber	
21	15628	10	Clamp, wire .38 plastic	
22	14202	1	Strain relief - .375 Romex w/nut	
23	11077W	1	Panel, front	
24	70112	1	Plug, 1.50 in. dome, plastic	
25	12014W	1	Panel, side - right	
--	12101	1	Wiring, trailer	

# CONTROL BOX TO UNIT



01391

## CONTROL BOX TO UNIT

Item	Part No.	Qty	Description	Notes
1	60690	1	Screw, .375-16 x 1.0 std hex, SS	
2	60698	2	Washer, .375 flat .875/.040, SS	
3	10241	1	Clamp, 2.50 - manual holder	
4	11121	1	Manual holder tube, 14 in. - black	
5	Page 24	1	Assembly, control box	
6	60703	1	Washer, .375 split lock, SS	
7	60140	1	Nut, .375 hex, G5	
8	60684	4	Screw, .250-20 x .875 std hex, SS	
9	60696	8	Washer, .250 flat .625/.050, SS	
10	60256	4	Screw, .312-18 x 1.50 std hex, G5, full thread	
11	60271	4	Washer, .312 split lock	
12	60119	4	Washer, .312 flat .875/.070	
13	10692B	2	Bracket, control box mounting	
14	60144	4	Nut, .250-20 nylock, G5	
15	62086	4	Nut, .312-18 U-clip - short type	
16	14146	2	Bolt, J - .250-20 x 10.0	
17	12924B	1	Angle, battery hold down	
18	60089	2	Washer, .265 fender 1.25/.060	Included w/item 16
19	60090	2	Nut, .250-20 wing, G5	Included w/item 16

### OPTIONAL FEATURES

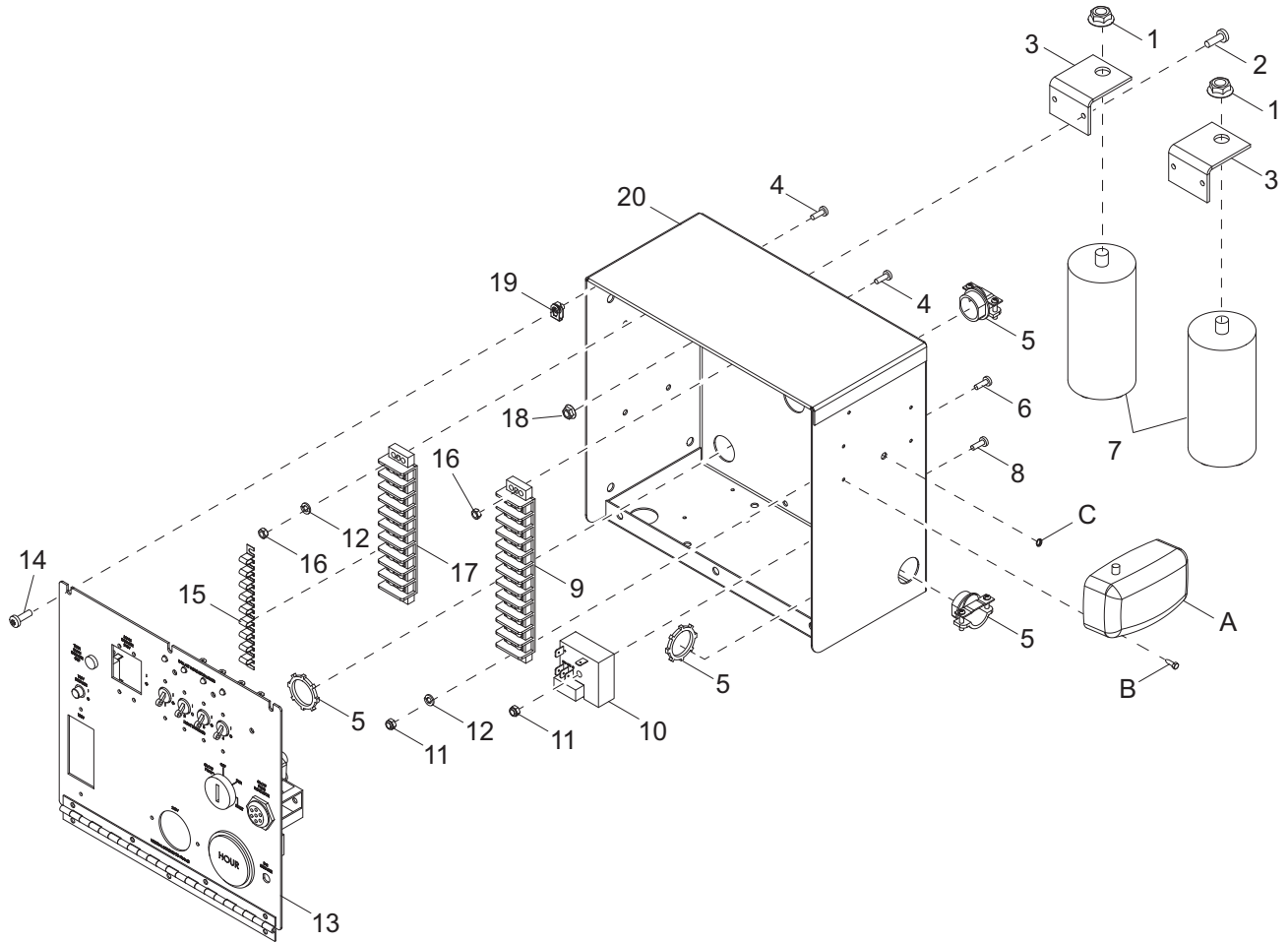
#### Battery Charger:

A	60694	2	Screw, 8-32 x .750 pan phil, SS
B	60067	2	Washer, flat .435/.060, SS
C	65326	1	Charger, battery 2A
D	21259	4	Decal, battery charger
E	60270	2	Nut, 8-32 nylock

#### Battery Disconnect:

F	60277	2	Screw, 10-32 x .500 pan phil, G2
G	65499	1	Assembly, switch lockout lever
H	13654B	1	Bracket, battery disconnect
J	60067	2	Washer, #10 flat .435/.060, SS
K	60061	2	Nut, 10-32 nylock
L	65498	1	Switch, disconnect
M	25075	1	Cable, battery - 24 in., 4GA red, .375 lug
N	60119	2	Washer, .312 flat .875/.070
P	60303	2	Nut, .312-18 nylock, G2
Q	68544	1	Cable, battery - 18 in., 4GA red, .375 lug
R	60271	2	Washer, .312 split lock
S	60028	2	Screw, .312-18 x 1.0 std hex, G5

# CONTROL BOX ASSEMBLY



01393

## CONTROL BOX ASSEMBLY

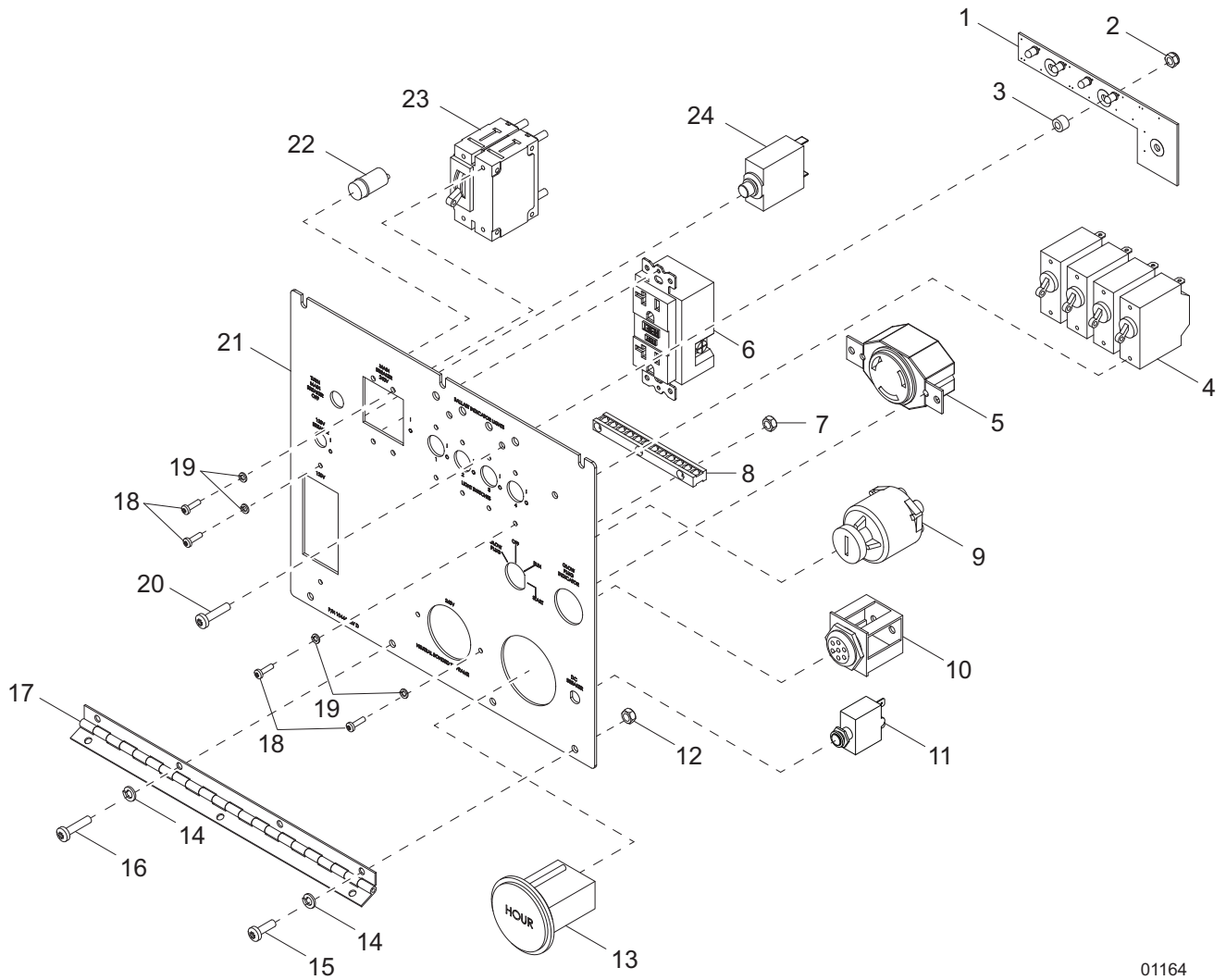
Item	Part No.	Qty	Description	Notes
1	60148	2	Nut, M12-1.75 sflg, G8.8	
2	60398	4	Screw, 10-32 x .500 pan phil, SS	
3	13690B	2	Bracket, capacitor	
4	60062	3	Screw, 10-32 x .750 pan phil, G2	
5	14219	5	Strain, relief - .750 Romex w/nut	
6	60397	1	Screw, 10-32 x 1.0 pan phil, G2	
7	65959	2	Capacitor, dual 24 $\mu$ F sealed, stud mount	
8	60396	1	Screw, 10-32 x 1.250 pan phil, G2	
9	14139	1	Block, terminal - 12 position, 30A, 600V	
10	14201	1	Relay, 10A SPDT 12VDC, time delay - 15 second	
11	60061	1	Nut, 10-32 nylock	
12	60252	2	Washer, #10 split lock	
13	Page 26	1	Assembly, control panel	MLT3060K/M only
	Page 28	1	Assembly, control panel	MLT3080K/M only
14	60526	6	Screw, 8-32 x .500 pan phil, G2	
15	15125	1	Jumper	
16	14231	2	Nut, 10-32 hex, G2	
17	14203	1	Block, terminal - 10 position, 30A, 600V	
18	61045	4	Nut, 10-32 sflg	
19	63105	6	Nut, 8-32 U-clip, G5	
20	13666B	1	Box, control	
--	17790	1	Assembly, control box - Kubota, 6kW	MLT3060K only
--	17789	1	Assembly, control box - Mitsubishi, 6kW	MLT3060M only
--	35089	1	Assembly, control box - Kubota, 8kW	MLT3080K only
--	32984	1	Assembly, control box - Mitsubishi, 8kW	MLT3080M only
--	68441	1	Wire group - 6kW control box	MLT3060K/M only
--	35270	1	Wire group - 6kW control box	MLT3060K only
--	35271	1	Wire group - 6kW control box	MLT3060M only
--	35310	1	Wire group - 8kW control box	MLT3080K only
--	10438	1	Wire group - 8kW control box	MLT3080M only

### OPTIONAL FEATURES

#### Interior Light:

A	11947	1	Light, interior w/switch
B	60364	4	Screw, 10-16 x .500 std hex, G2, self-drilling
C	19163	1	Fitting, bushing - .500 OD x .375 ID

# CONTROL PANEL ASSEMBLY - MLT3060K, MLT3060M



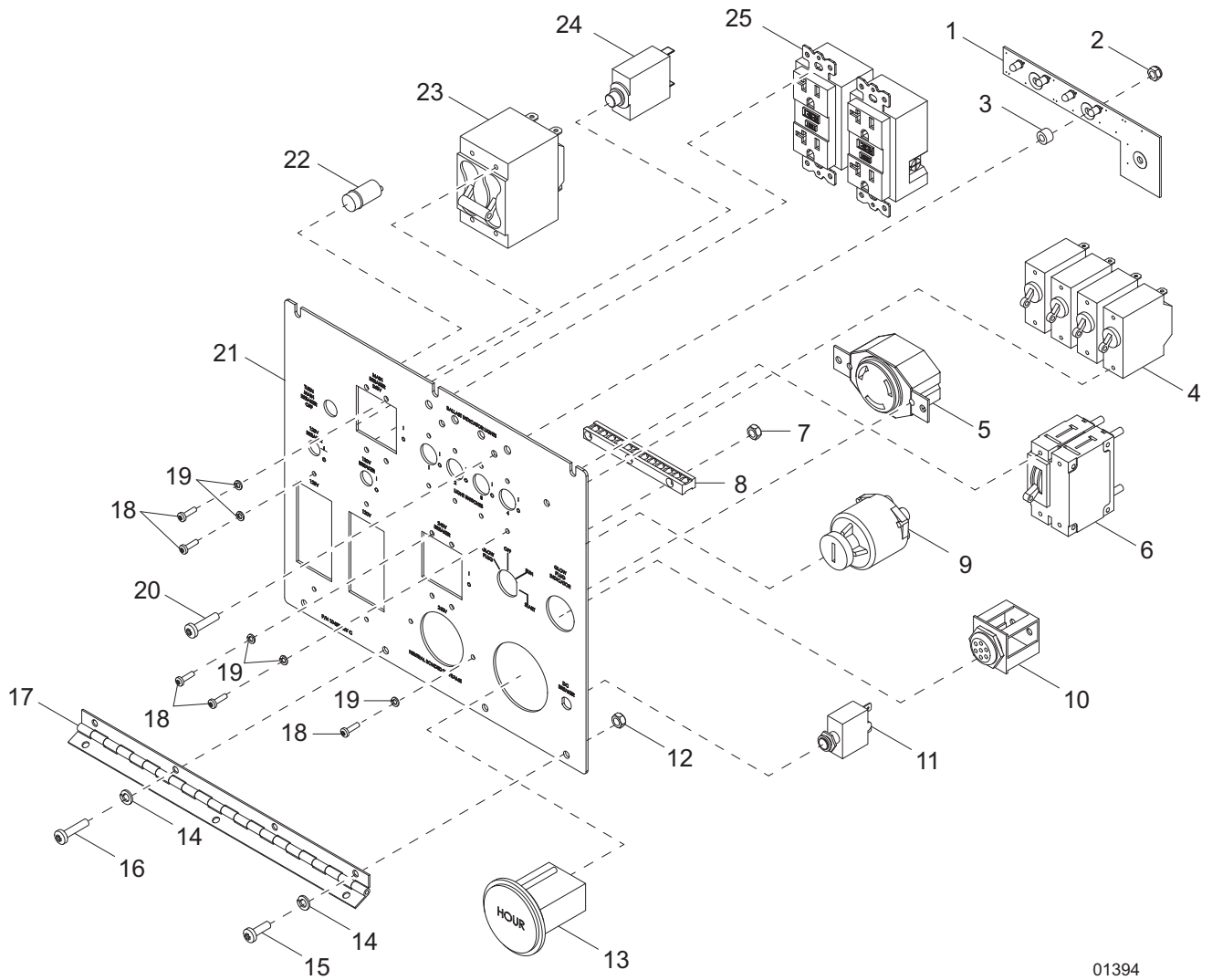
01164



## CONTROL PANEL ASSEMBLY - MLT3060K, MLT3060M

Item	Part No.	Qty	Description	Notes
1	66423	1	PCB, LED lights w/connector	
2	60061	3	Nut, 10-32 nylock	
3	66257	3	Spacer, .2 ID x .375 OD x .25 long, plastic	
4	14249	4	Breaker, 15A, 120V, 1-pole	
5	14137	1	Receptacle, 240V/30A twist-lock	
6	14130	1	Receptacle, 120V/20A GFI	
7	60318	2	Nut, 8-32 hex, G5	
8	14204	1	Kit, ground bar	
9	15195	1	Switch, key	
10	16694	1	Glow plug indicator	MLT3060M only
11	65850	1	Breaker, 10A, 240V, 1-pole, push button	
12	14231	2	Nut, 10-32 hex, G2	
13	15085	1	Gauge, hour meter	
14	60252	4	Washer, #10 split lock	
15	60277	2	Screw, 10-32 x .500 pan phil, G2	
16	60406	2	Screw, 8-32 x 1.0 pan phil G2	
17	13677	1	Hinge, continuous - 11 in	
18	60405	16	Screw, 6-32 x .250 pan phil, G2	
19	60058	16	Washer, #6 split lock	
20	60062	3	Screw, 10-32 x .750 pan phil, G2	
21	10444	1	Panel, control - Mitsubishi, 6kW	MLT3060M only
	10441	1	Panel, control - Kubota, 6kW	MLT3060K only
22	65388	1	Light, indicator red, 12VDC	
23	65963	1	Breaker, 30A, 250V, 2-pole, stud terminal w/aux	
24	65849	1	Breaker, 10A, 120V, 1-pole, push button	
--	10443	1	Assembly, control panel - Mitsubishi	Items 1 - 24
--	10440	1	Assembly, control panel - Kubota	Items 1 - 9 & 11 - 24
--	35267	1	Wire group - 20A GFCI	
--	35268	1	Wire group - 30A twist-lock	
--	35269	1	Wire group - light switches	
--	35266	1	Wire group - LED light board	

# CONTROL PANEL ASSEMBLY - MLT3080K, MLT3080M

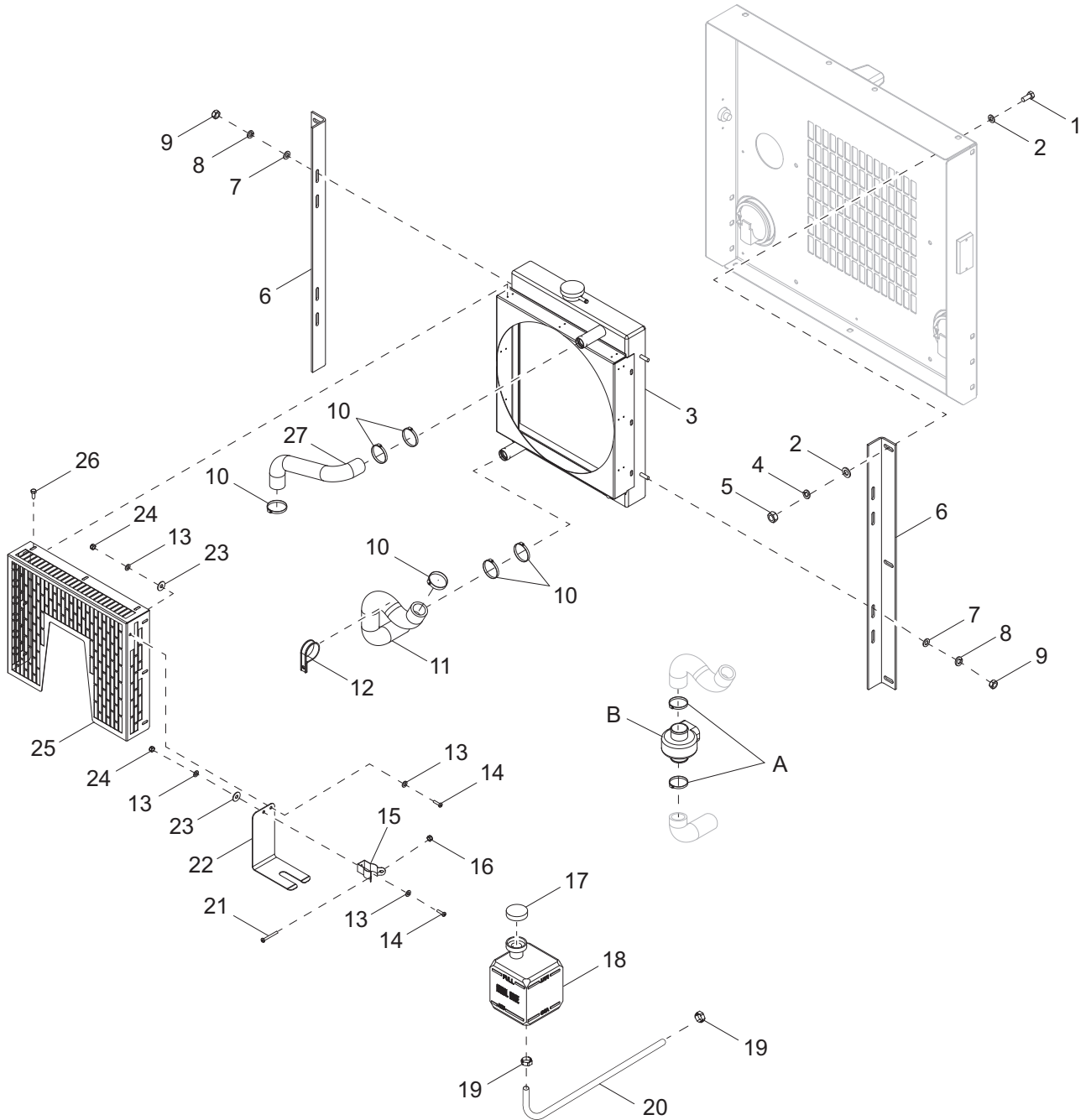


01394

## CONTROL PANEL ASSEMBLY - MLT3080K, MLT3080M

Item	Part No.	Qty	Description	Notes
1	66423	1	PCB, LED lights w/connector	
2	60061	3	Nut, 10-32 nylock	
3	66257	3	Spacer, .2 ID x .375 OD x .25 long, plastic	
4	14249	4	Breaker, 15A, 120V, 1-pole	
5	14137	1	Receptacle, 240V/30A twist-lock	
6	65963	1	Breaker, 30A, 250V, 2-pole, stud terminal w/aux	
7	60318	2	Nut, 8-32 hex, G5	
8	14204	1	Kit, ground bar	
9	15195	1	Switch, key	
10	16694	1	Mitsubishi, glow plug indicator	MLT3080M only
11	65850	1	Breaker, 10A, 240V, 1-pole, push button	
12	14231	4	Nut, 10-32 hex, G2	
13	15085	1	Gauge, hour meter	
14	60252	4	Washer, #10 split lock	
15	60277	2	Screw, 10-32 x .500 pan phil, G2	
16	60406	2	Screw, 8-32 x 1.0 pan phil G2	
17	13677	1	Hinge, continuous - 11 in	
18	60405	22	Screw, 6-32 x .250 pan phil, G2	
19	60058	22	Washer, #6 split lock	
20	60062	3	Screw, 10-32 x .750 pan phil, G2	
21	13675	1	Panel, control - Kubota, 8kW	MLT3080K only
	10437	1	Panel, control - Mitsubishi, 8kW	MLT3080M only
22	65388	1	Light, indicator red, 12VDC	
23	65864	1	Breaker, 40A, 250V, 2-pole, screw terminal w/aux	
24	65849	1	Breaker, 20A, 120V, 1-pole, push button	
25	14130	2	Receptacle, 120V/20A GFI	
--	13884	1	Assembly, control panel - Kubota	Items 1 - 9 & 11 - 25
--	10436	1	Assembly, control panel - Mitsubishi	Items 1 - 25
--	35309	1	Wire group - 20A GFCI red	
--	35267	1	Wire group - 20A GFCI black	
--	68271	1	Wire group - 30A twist-lock	
--	35269	1	Wire group - light switches	
--	35266	1	Wire group - LED light board	
--	35310	1	Wire group - 8kW control box	

# COOLING SYSTEM ASSEMBLY



01230

## COOLING SYSTEM ASSEMBLY

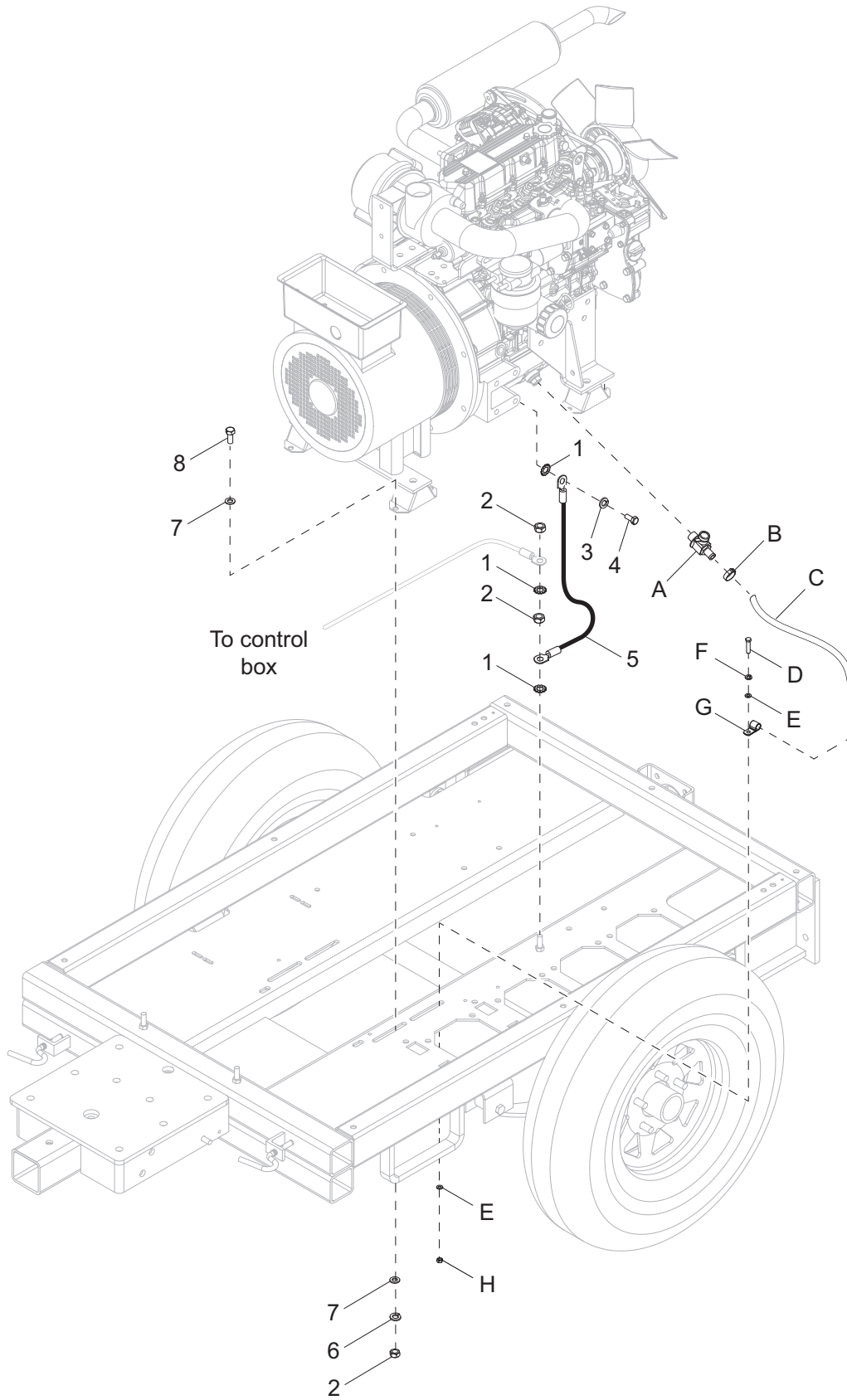
Item	Part No.	Qty	Description	Notes
1	60690	6	Screw, .375-16 x 1.0 std hex, SS	
2	60698	12	Washer, .375 flat .875/.040, SS	
3	13924	1	Radiator, w/fan guard	
4	60703	6	Washer, .375 split lock, SS	
5	60140	6	Nut, .375-16 hex, G5	
6	11135B	2	Bracket, radiator	
7	60119	4	Washer, .312 flat .875/.070	
8	60271	4	Washer, .312 split lock	
9	60032	4	Nut, M8-1.25 hex, G8.8	
10	15422	6	Clamp, hose - SAE 020 (.75-1.75)	
11	12350	1	Hose, radiator - lower, Kubota	MLT3060/80K only
	16688	1	Hose, radiator - lower, Mitsubishi	MLT3060/80M only
12	60716	1	Clamp, tubing - 1.50 light duty	
13	60067	4	Washer, #10 flat .435/.060, SS	
14	61180	2	Screw, 10-32 x .750 pan phil, SS	
15	19726	1	Clamp, overflow jug	
16	60144	1	Nut, .250-20 nylock, G5	
17	19714	1	Cap, overflow jug	
18	20287	1	Jug, overflow - 2 qt	
19	60777	2	Clamp, hose - .312, crimp style	
20	50018	1.67 ft	Hose, fuel - .312 ID	
21	60414	1	Screw, .250-20 x 1.50 std hex, G5	
22	22419B	1	Bracket, support overflow jug - black	
23	60696	2	Washer, .250 flat .625/.050, SS	
24	60061	2	Nut, 10-32 nylock	
25	11413B	1	Fan guard	
26	60364	9	Screw, 10-16 x .500 std hex, G2, self-drilling	
27	16687	1	Hose, radiator - upper, Kubota	MLT3060/80K only
	32383	1	Hose, radiator - upper, Mitsubishi	MLT3060/80M only

### OPTIONAL FEATURES

#### Engine Heater:

A	15422	2	Clamp, hose - SAE 020 (.75 - 1.75)
B	65649	1	Heater, engine - lower radiator hose, 1 in. dia

# ENGINE AND GENERATOR TO UNIT



## ENGINE AND GENERATOR TO UNIT

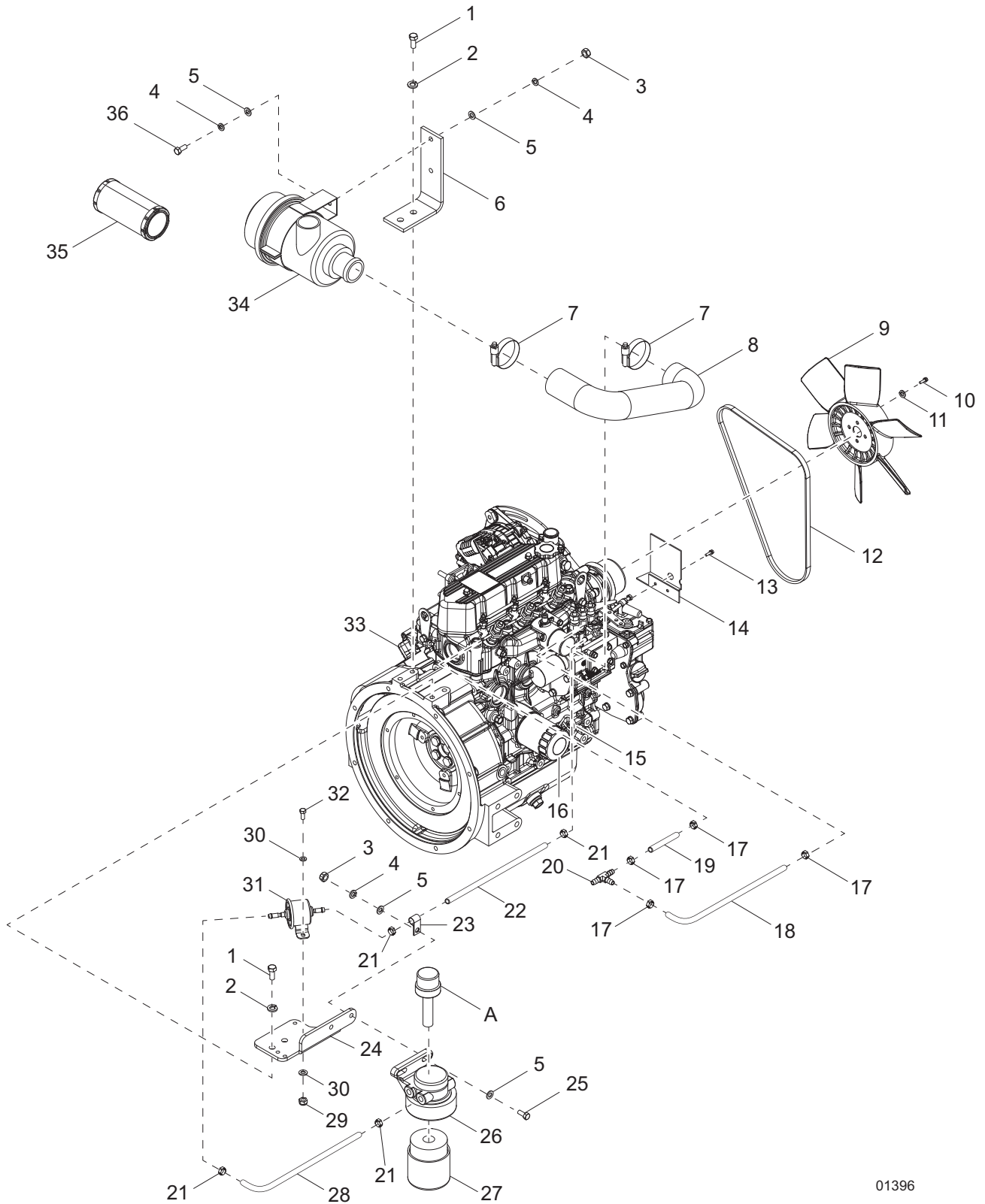
Item	Part No.	Qty	Description	Notes
1	60747	3	Washer, .375 internal star	
2	60140	10	Nut, .375-16 hex, G5	
3	60026	1	Washer, M10 split lock	
4	60495	1	Screw, M10-1.25 x 16 std hex, G8.8	
5	11923	1	Assembly, wire - eng/chassis ground	
6	60206	8	Washer, .375 split lock	
7	60698	16	Washer, .375 flat .875/.040, SS	
8	60205	8	Screw, .375-16 x 1.0 std hex, G5	

### OPTIONAL FEATURES

#### Drain Valve:

A	60774	1	Valve, drain 22mm-1.5 with nipple	MLT3060/80K only
	60766	1	Valve, drain 18mm-1.5 with nipple	MLT3060/80M only
B	60365	1	Clamp, hose - SAE 010 (.56-1.06)	MLT3060/80K only
	60777	1	Clamp, hose - .312, crimp style	MLT3060/80M only
C	68327	1	Hose, .625 horizon 200 psi (22 in)	MLT3060/80K only
	12227	1	Hose, oil drain .375 x 20, SAE 30R7	MLT3060/80M only
D	60205	1	Screw, .375-16 x 1.0 std hex, G5	MLT3060/80K only
E	60698	2	Washer, .375 flat .875/.040, SS	MLT3060/80K only
F	60206	1	Washer, .375 split lock	MLT3060/80K only
G	60716	1	Clamp, tubing - 1.50 light duty	MLT3060/80K only
H	60144	1	Nut, .25-20 nylock, G5	MLT3060/80K only

# ENGINE ASSEMBLY - MITSUBISHI LEFT SIDE



01396



## ENGINE ASSEMBLY - MITSUBISHI LEFT SIDE

Item	Part No.	Qty	Description	Notes
1	60422	4	Screw, M10-1.25 x 25 std hex, G8.8	
2	60026	4	Washer, M10 split lock	
3	60285	6	Nut, .312-18 hex, G2	
4	60271	6	Washer, .312 split lock	
5	60119	8	Washer, .312 flat .875/.070	
6	16551B	1	Bracket, air cleaner - black	
7	60316	2	Clamp, hose - SAE 032 (1.56-2.50)	
8	16589	1	Hose, air cleaner	
9	16742	1	Fan, Mitsubishi	
10	63288	4	Screw, M6-1.0 x 12 pan head, G8.8	
11	60286	4	Washer, .250 split lock	
12	16692	1	V-belt, Mitsubishi	
13	13513	2	Bolt w/washer	
14	11691	1	Bracket, lower radiator hose guard	
15	11148	1	Dipstick, oil	
16	16691	1	Filter, oil - Mitsubishi	
17	60778	4	Clamp, hose - .188, crimp style	
18	14211	1.04 ft	Hose, fuel - .188 ID, 50 psi, SAE 30R7	
19	14211	.16 ft	Hose, fuel - .188 ID, 50 psi, SAE 30R7	
20	17145	1	Fitting, T - .188 x .188 x .188 barb, nylon	
21	60777	4	Clamp, hose - .312, crimp style	
22	50018	1 ft	Hose, fuel - .312 ID, 50 psi, SAE 30R7	
23	60649	1	Clamp, tubing - .750 heavy duty	
24	12838B	1	Bracket, fuel filter/pump, black	
25	60256	2	Screw, .312-18 x 1.50 std hex, G5, fully threaded	
26	17641	1	Filter, fuel	
27	17647	1	Filter, fuel, element	
28	50018	1.04 ft	Hose, fuel - .312 ID, 50 psi, 30R7	
29	60144	2	Nut, .250-20 nylock, G5	
30	60243	4	Washer, .250 flat .735/.060	
31	13278	1	Fuel pump, electric	
32	60393	2	Screw, .250-20 x 1.0 std hex, G5	
33	32885	1	Engine - Mitsubishi LE3	
34	34066	1	Filter, air, w/bracket	
35	16444	1	Element, air filter	
36	61061	2	Screw, .312-18 x .875 std hex, G5	
--	16677	1	Switch, oil pressure	

### OPTIONAL FEATURES

#### Heated Fuel Filter:

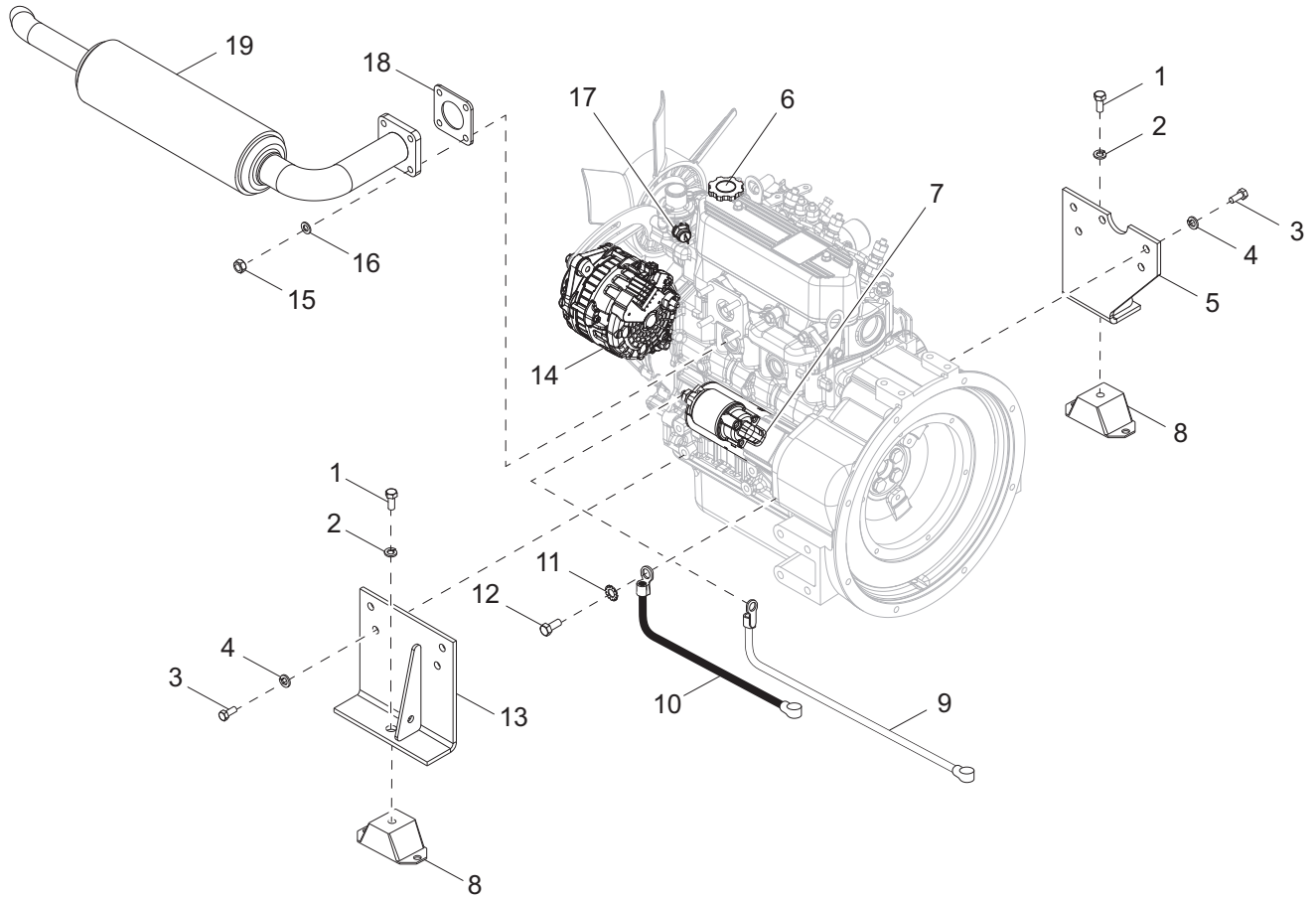
A	13876	1	Kit, heater - fuel filter, Mitsubishi
---	-------	---	---------------------------------------

#### Cold Weather Belt:

--	10386	1	Belt, cold weather - Mitsubishi
----	-------	---	---------------------------------

**Note:** Engine and generator parts used in all Generac Mobile Products equipment carry the Original Equipment Manufacturer (OEM) warranty unless otherwise stated. OEM warranty parts must be purchased through an OEM dealer. Please contact Generac Mobile Products with questions.

# ENGINE ASSEMBLY - MITSUBISHI RIGHT SIDE



01171

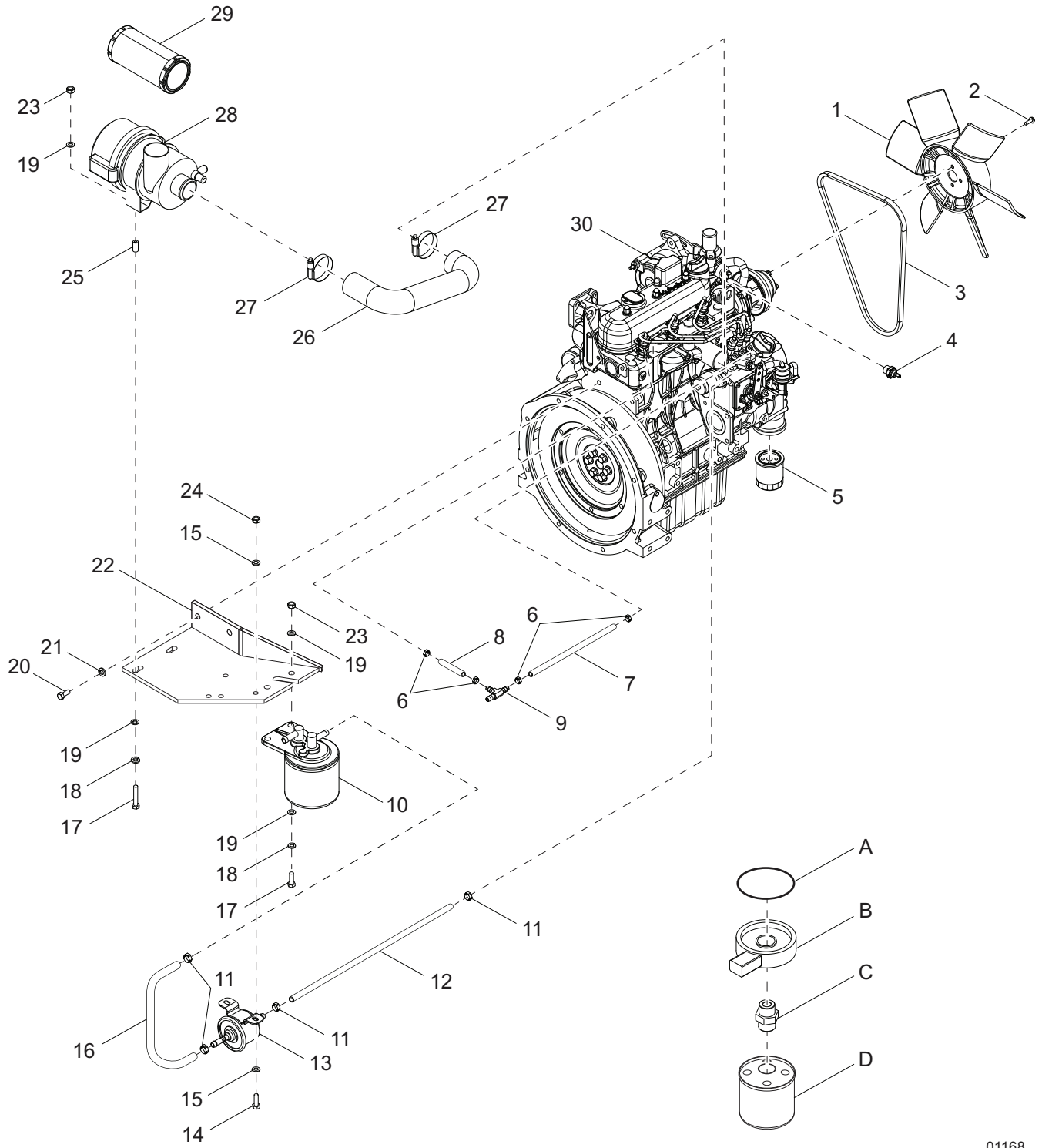
## ENGINE ASSEMBLY - MITSUBISHI RIGHT SIDE

---

Item	Part No.	Qty	Description	Notes
1	60275	2	Screw, .500-13 x 1.0 std hex, G5	
2	60702	2	Washer, .500 split lock, SS	
3	60422	8	Screw, M10-1.25 x 25 std hex, G8.8	
4	60026	8	Washer, M10 split lock	
5	70130B	1	Weldment, engine mount - right, black	
6	11147	1	Cap, oil filler	
7	16833	1	Starter	
8	15241	2	Isolator, rubber - 80-200 lbs, 2 in. wide	
9	15074	1	Cable, battery - 38 in., 4GA red, .438 lug	
10	12568	1	Cable, battery - 27 in., 4GA black, .375 lug	
11	60747	1	Washer, .375 internal star	
12	60495	1	Screw, M10-1.25 x 16 std hex, G8.8	
13	16554B	1	Weldment, engine mount - LH, black	
14	16743	1	Alternator	
15	60032	4	Nut, M8-1.25 hex, G8.8	
16	60029	4	Washer, M8 split lock	
17	16678	1	Switch, temperature sensor	
18	11042	1	Gasket, muffler	
19	13710	1	Muffler, 30 degree flare	
--	10457	1	Harness, engine - Mitsubishi	

**Note:** Engine and generator parts used in all Generac Mobile Products equipment carry the Original Equipment Manufacturer (OEM) warranty unless otherwise stated. OEM warranty parts must be purchased through an OEM dealer. Please contact Generac Mobile Products with questions.

# ENGINE ASSEMBLY - KUBOTA LEFT SIDE



01168

## ENGINE ASSEMBLY - KUBOTA LEFT SIDE

Item	Part No.	Qty	Description	Notes
1	15495	1	Fan, engine	
2	60087	4	Screw, M6-1.0 x 16 sflg hex, G8.8	
3	11628	1	Belt, V	
4	14099	1	Switch, coolant temperature	
5	10775	1	Filter, oil	
6	60778	4	Clamp, hose - .188, crimp style	
7	14211	1.3 ft	Hose, fuel - .188 ID, 50 psi, SAE 30R7	
8	14211	.167 ft	Hose, fuel - .188 ID, 50 psi, SAE 30R7	
9	17145	1	Fitting, T - .188 x .188 x .188 barb, nylon	
10	13481	1	Filter, fuel	
--	13515	1	Element, fuel filter	
11	60777	4	Clamp, hose - .312, crimp style	
12	50018	1.67 ft	Hose, fuel - .312 ID, 50 psi, SAE 30R7	
13	13278	1	Pump, fuel	
14	60393	2	Screw, .250-20 x 1.0 std hex, G5	
15	60243	4	Washer, .250 flat .735/.060	
16	50018	1 ft	Hose, fuel - .312 ID, 50 psi, SAE 30R7	
17	62001	4	Screw, .312-18 x 1.25 std hex, G5	
18	60271	4	Washer, .312 split lock	
19	60119	8	Washer, .312 flat .875/.070	
20	61082	2	Screw, M8-1.25 x 20 std hex, G8	
21	60029	2	Washer, M8 split lock	
22	13483B	1	Weldment, filter bracket	
23	60285	4	Nut, .312-18 hex, G2	
24	60144	2	Nut, .250-20 nylock, G5	
25	41235ZY	2	Spacer, .75 OD x .44 ID x 1.0 long	
26	16589	1	Hose, air cleaner	
27	60316	2	Clamp, hose - SAE 032 (1.56-2.50)	
28	34066	1	Filter, air, assembly	
29	16444	1	Element, air filter	
30	13310	1	Engine, Kubota - D1005-E3BG1-MGM-1	MLT3060K only
	13281	1	Engine, Kubota - D1105BG	MLT3080K only

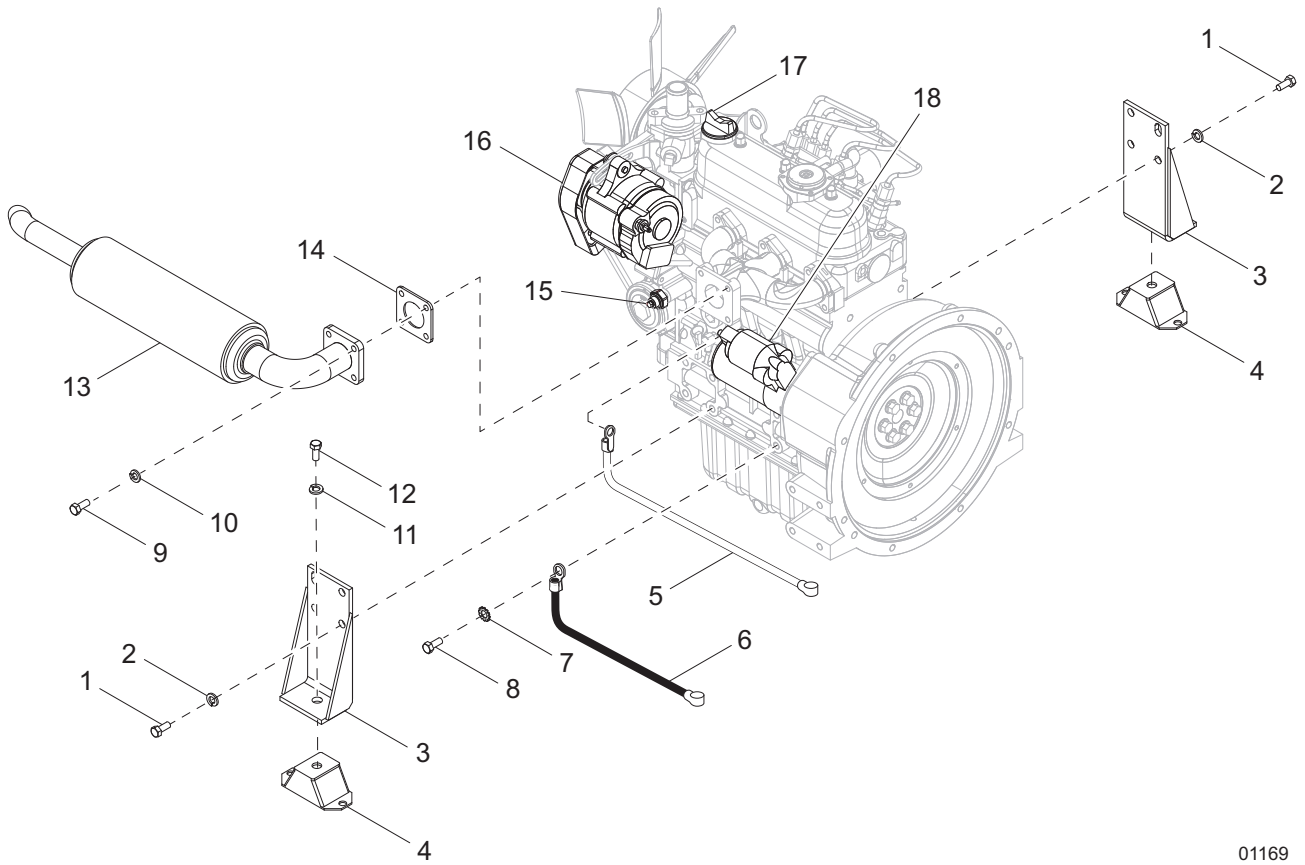
### OPTIONAL FEATURES

#### Heated Fuel Filter:

A	13834	1	Gasket, heated fuel filter
B	13682	1	Heater, fuel filter
C	10407	1	Adapter, heated fuel filter
D	13515	1	Element, heated fuel filter
--	10662	1	Harness, fuel filter heater - outside
--	13684	1	Harness, fuel filter heater - inside

**Note:** Engine and generator parts used in all Generac Mobile Products equipment carry the Original Equipment Manufacturer (OEM) warranty unless otherwise stated. OEM warranty parts must be purchased through an OEM dealer. Some Kubota engine parts are serial number specific. Please contact **Kubota Engine America Corp.** or the Generac Mobile Products Technical Service Department for information regarding engine parts.

# ENGINE ASSEMBLY - KUBOTA RIGHT SIDE



01169

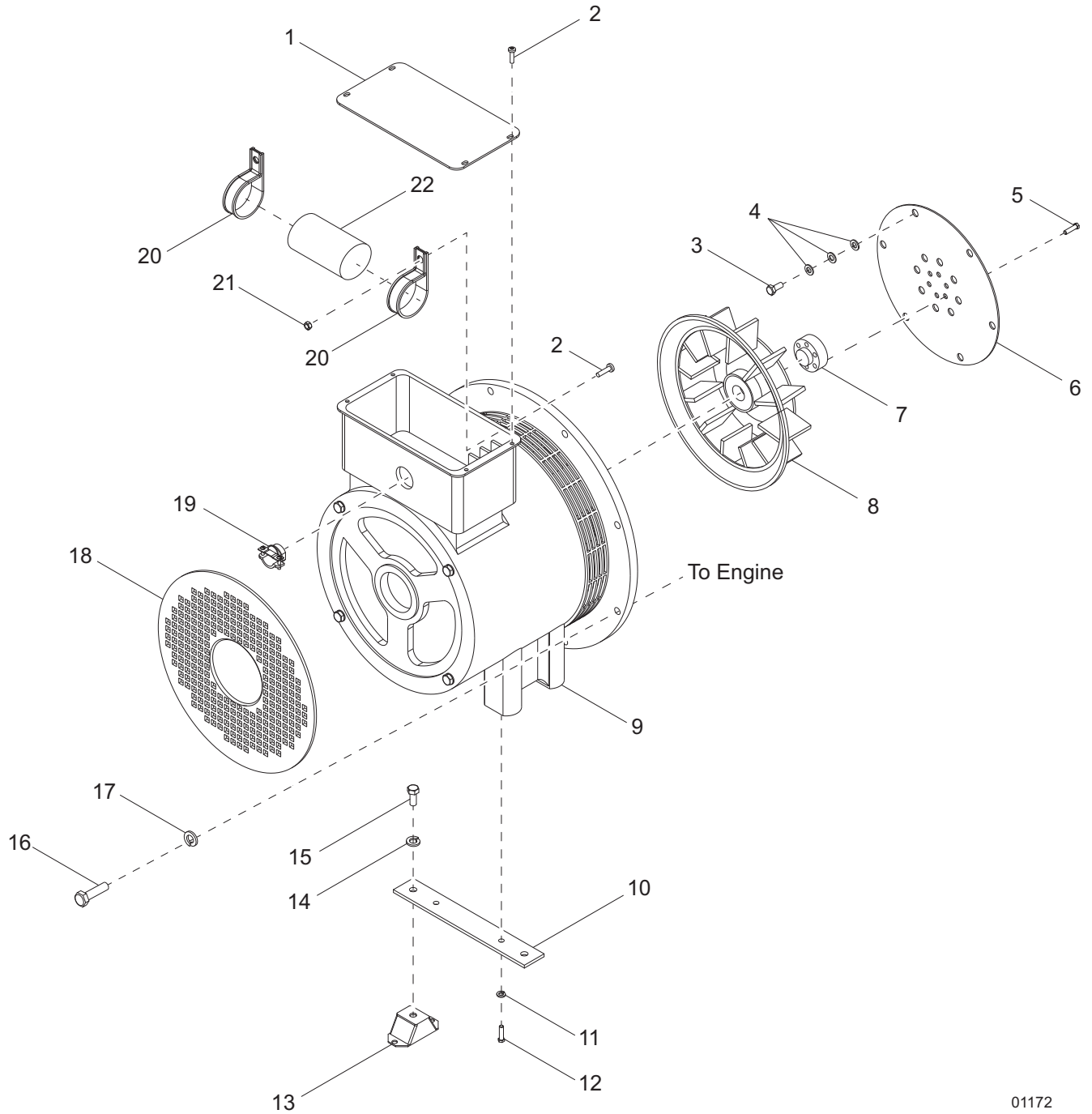
## ENGINE ASSEMBLY - KUBOTA RIGHT SIDE

---

Item	Part No.	Qty	Description	Notes
1	60422	8	Screw, M10-1.25 x 25 std hex, G8.8	
2	60026	8	Washer, M10 split lock	
3	12338B	2	Weldment, engine mount	
4	15241	2	Isolator, rubber - 80-200 lbs, 2 in. wide	
5	15074	1	Cable, battery - 38 in., 4GA red, .438 lug	
6	12568	1	Cable, battery - 27 in., 4GA black, .375 lug	
7	60747	1	Washer, .375 internal star	
8	60495	1	Screw, M10-1.25 x 16 std hex, G8.8	
9	63168	4	Screw, M8-1.25 x 30 std hex	
10	60029	4	Washer, M8 split lock	
11	60702	2	Washer, .500 split lock, SS	
12	60275	2	Screw, .500-13 x 1.0 std hex, G5	
13	13709	1	Muffler, 30 degree flare	
14	11042	1	Gasket, muffler	
15	14099	1	Switch, coolant temperature	
16	12486	1	Alternator	
17	12484	1	Cap, oil filler	
18	30582	1	Starter	MLT3060K only
	13298	1	Starter	MLT3080K only
--	10461	1	Harness, engine - Kubota	

**Note:** Engine and generator parts used in all Generac Mobile Products equipment carry the Original Equipment Manufacturer (OEM) warranty unless otherwise stated. OEM warranty parts must be purchased through an OEM dealer. Some Kubota engine parts are serial number specific. Please contact **Kubota Engine America Corp.** or the Generac Mobile Products Technical Service Department for information regarding engine parts.

# GENERATOR ASSEMBLY



01172

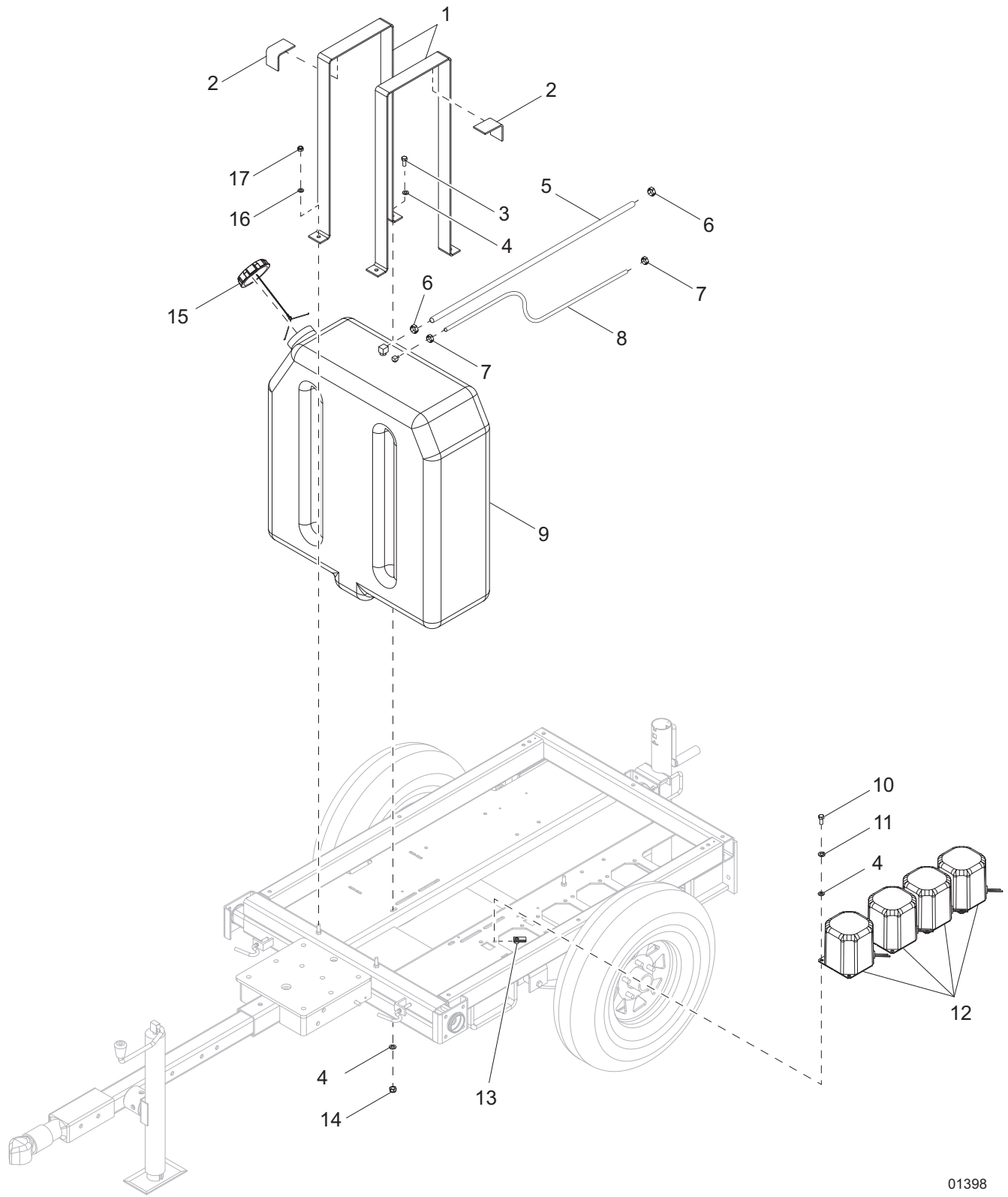


## GENERATOR ASSEMBLY

Item	Part No.	Qty	Description	Notes
1	12736	1	Cover, generator - 6kW	MLT3060K/M only
	11338	1	Cover, generator - 8kW	MLT3080K/M only
2	60398	6	Screw, 10-32 x 5.0 pan phil, SS	
3	60168	6	Screw, .312-18 x .750 std hex, G5	MLT3060/80K only
--	60165	6	Screw, M8-1.25 x 16 std hex, G10	MLT3060/80M only
4	60166	18	Washer, M8 flat	MLT3060/80M only (qty 12 only)
5	11336	6	Screw, .375-24 x 1.75	
6	16123	1	Plate, drive - SAE 6.5	
7	11339	1	Spacer, generator drive plate	
8	12527	1	Fan, generator	
--	12329	1	Seal, pancake bearing - 6kW	Included w/item 9, MLT3060K/M only
	11337	1	O-ring, pancake bearing - 8kW	Included w/item 9, MLT3080K/M only
--	12328	1	Bearing, pancake - 6kW	Included w/item 9, MLT3060K/M only
	16134	1	Bearing, pancake - 8kW	Included w/item 9, MLT3080K/M only
9	16556	1	Generator, Marathon - 6kW	MLT3060K/M only
	10486	1	Generator, Marathon - 8kW	MLT3080K/M only
10	15045	1	Bracket, generator	
11	60206	2	Washer, .375 split lock	
12	60205	2	Screw, .375-16 x 1.0 std hex, G5	
13	15241	2	Isolator, rubber - 80-200 lbs, 2 in. wide	
14	60702	2	Washer, .500 split lock, SS	
15	60275	2	Screw, .50-13 x 1.0 std hex, G5	
16	60352	8	Screw, .375-16 x 1.25 std hex, G5	MLT3060/80K only
	60494	8	Screw, M10-1.25 x 30 std hex, G8.8	MLT3060/80M only
17	60206	8	Washer, .375 split lock	MLT3060/80K only
	60026	8	Washer, M10 split lock	MLT3060/80M only
18	12327	1	Cover, pancake case	
19	14219	1	Strain relief - .750 Romex w/nut	
20	16395	2	Clamp, capacitor	
21	61045	2	Nut, 10-32 sflg	
22	35132	1	Capacitor, 25 $\mu$ F 440V - 6kW	MLT3060K/M only
	35406	1	Capacitor, 25 $\mu$ F 550V - 8kW	MLT3080K/M only
--	16153	1	Harness, generator - 6kW	MLT4060K/M only
--	16216	1	Harness, generator - 8kW	MLT4080K/M only

**Note:** Engine and generator parts used in all Generac Mobile Products equipment carry the Original Equipment Manufacturer (OEM) warranty unless otherwise stated. OEM warranty parts must be purchased through an OEM dealer. Please contact Generac Mobile Products with questions.

# FUEL TANK AND BALLAST BOXES TO UNIT



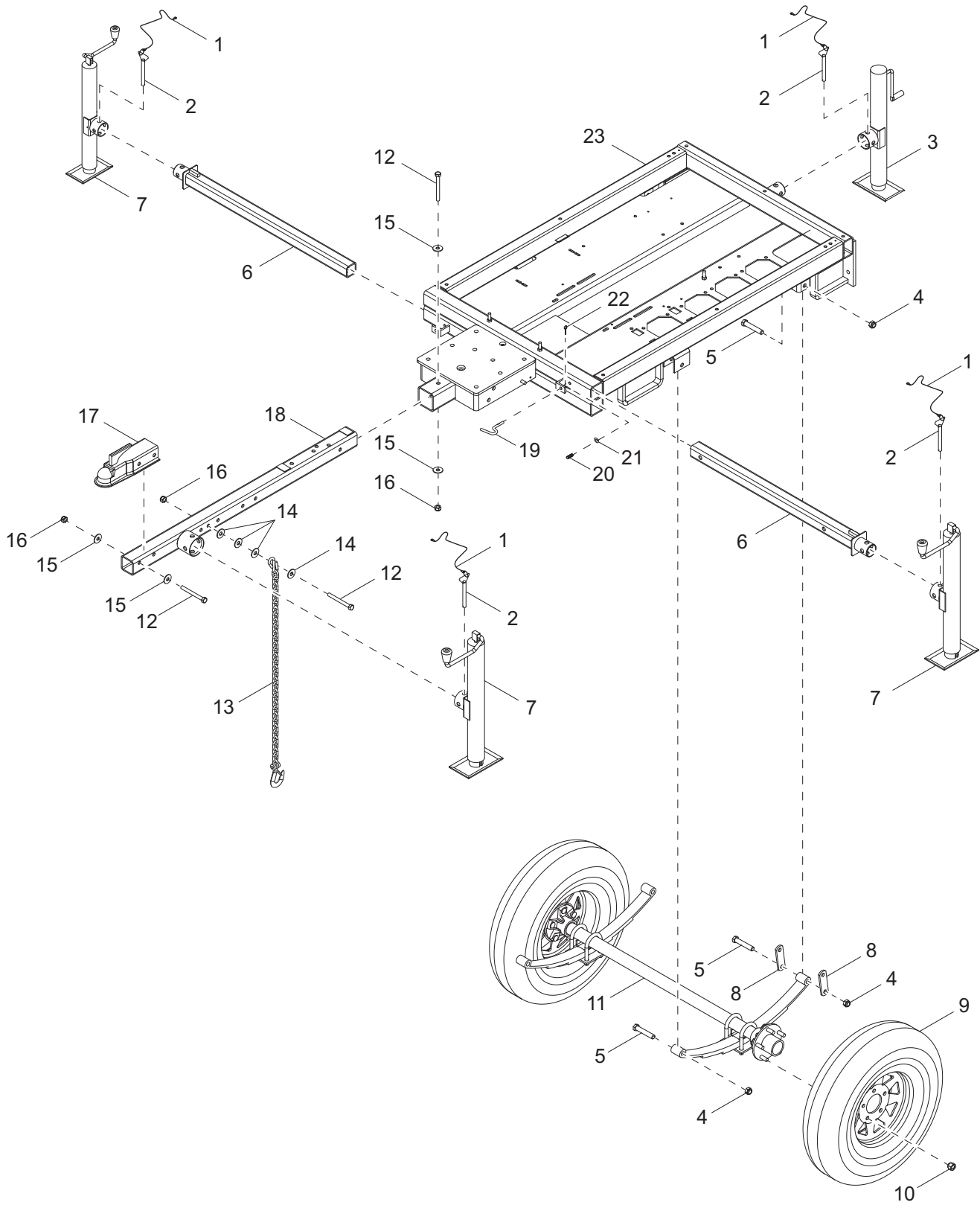
01398

## FUEL TANK AND BALLAST BOXES TO UNIT

---

Item	Part No.	Qty	Description	Notes
1	11065B	2	Bracket, fuel tank support	
2	50197	1 ft	Weatherstripping - .06 x 1.0	Four 3 in. strips
3	60256	2	Screw, .312-18 x 1.50 std hex, G5	
4	60119	16	Washer, .312 flat .875/.070	
5	50018	2.5 ft	Hose, fuel - .312 ID, 50 psi, SAE 30R7	
6	60777	2	Clamp, hose - .312, crimp style	
7	60778	2	Clamp, hose - .188, crimp style	
8	14211	2.5 ft	Hose, fuel - .188 ID, 50 psi, SAE 30R7	
9	34668	1	Tank, fuel - 30 gallon	
10	60028	12	Screw, .312-18 x 1.0 std hex, G5	
11	60271	12	Washer, .312 split lock	
12	10656	4	Assembly, transformer - can & base - 60Hz-MH-5.5 in	
13	62086	12	Nut, .312-18 U-clip - short type	
14	60303	2	Nut, .312-18 nylock, G2	
15	16326	1	Cap, fuel tank, vent, 3.5 dia, grain diesel w/tether	
16	60698	2	Washer, .375 flat .875/.040, SS	
17	60358	2	Nut, .375-16 nylock, G5	

# TRAILER ASSEMBLY



01399

## TRAILER ASSEMBLY

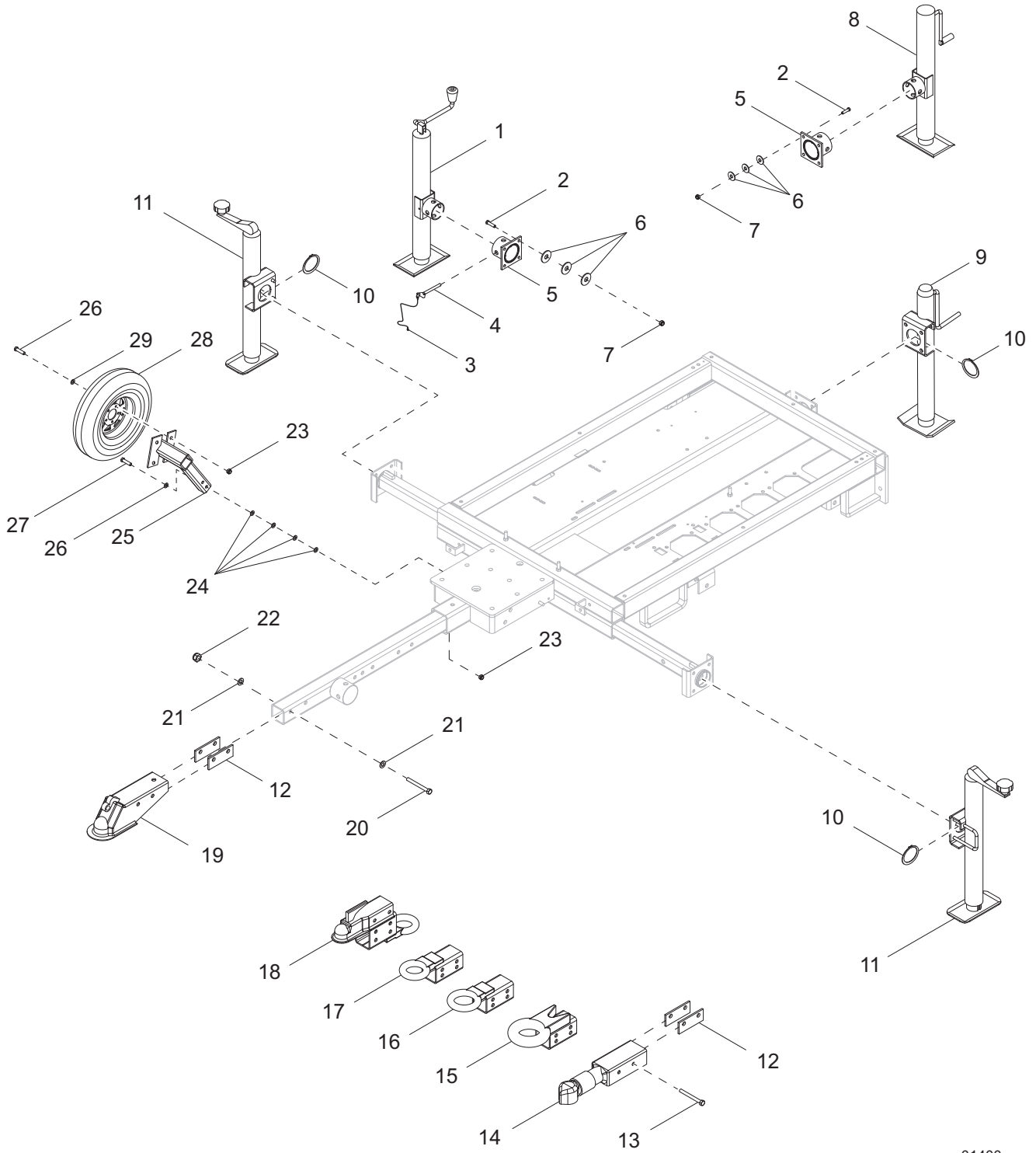
Item	Part No.	Qty	Description	Notes
1	12647	4	Cable, tether - jack pin and ground rod cover	
2	23256	4	Pin, jack - 2000 lb, tube mount	
3	11978	1	Jack, side wind - 2000 lb, tube mount	
4	60504	6	Nut, .562-18 lock, G5	
5	60503	6	Screw, shackle, .562-18 x 3.0 std hex, G5	
6	70143Z	2	Weldment, outrigger	
7	23254	2	Jack, top wind - 2000 lb, tube mount	
8	19637	4	Plate, shackle bracket - 3.125 in	
9	15976	2	Wheel, ST175/80D13, 1360 lb	
10	60096	10	Nut, .500-20 lug, G5	
11	<a href="#">Page 50</a>	1	Assembly, axle	
12	50215	5	Screw, .500-13 x 4.0 std hex, G5	
13	23367	2	Chain, safety - 7800 lb rated	
14	60416	8	Washer, .500 flat 1.375/.090	
15	60309	6	Washer, .500 flat 1.060/.090	
16	62221	5	Nut, .500-13 nylock, G5	
17	16830	1	Coupler, 2.0 ball/2.50 channel	
18	33724B	1	Weldment, removable tongue, non-shipping	
19	35272	2	Pin, plunger - .375	
20	35273	2	Spring, compression - .562 x 1.50	
21	35275	2	Washer, .375 flat .416 x .820 x .057	
22	35274	2	Pin, cotter - .078 x 1.0	
23	13819B	1	Weldment, chassis	
--	10266	1	Harness, right side trailer	
--	10267	1	Harness, left side trailer	
--	10262	1	Harness, main trailer	

### OPTIONAL FEATURES

#### *Trailer Plug Adapters:*

--	65463	1	Adapter, trailer wiring - flat 4 pin to round 6 pin
--	65464	1	Adapter, trailer wiring - flat 4 pin to round 7 pin
--	65465	1	Adapter, trailer wiring - flat 4 pin to round 7 blade

# TRAILER - JACK AND HITCH OPTIONS



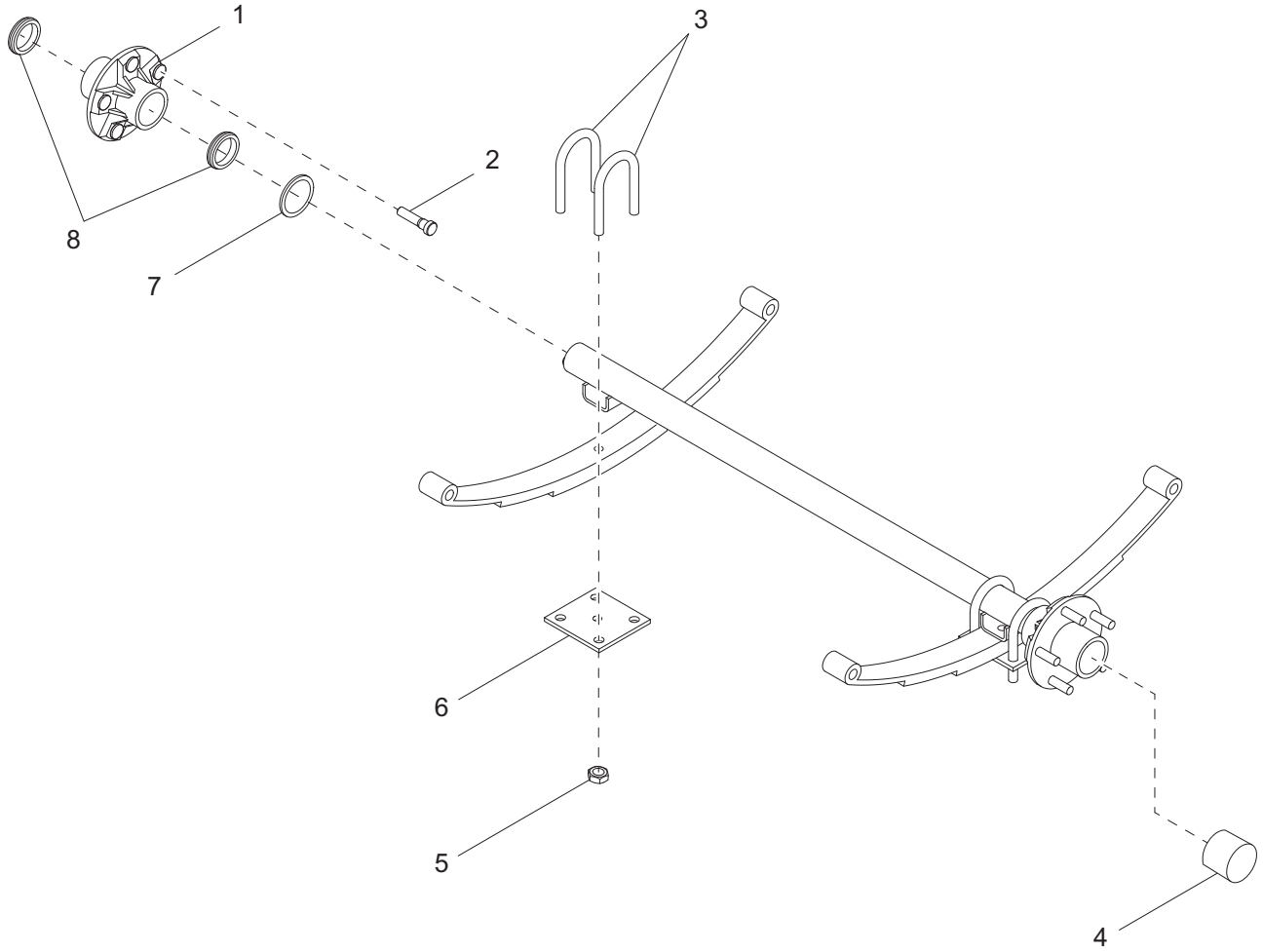
01400

## TRAILER - JACK AND HITCH OPTIONS

Item	Part No.	Qty	Description	Notes
<i>Tube Mount Jacks:</i>				
1	23254	2	Jack, top wind - 2000 lb, tube mount	
2	61036	12	Screw, .375-16 x 1.250 std hex, SS	
3	12647	4	Cable, tether - jack pin and ground rod cover	
4	23256	4	Pin, jack - 2000 lb, tube mount	
5	11965Z	3	Weldment, jack adapter	
6	60698	36	Washer, .375 flat .875/.040, SS	
7	60358	12	Nut, .375-16 nylock, G5	
8	11978	1	Jack, side wind - 2000 lb, tube mount	
<i>Snap Ring Jacks:</i>				
9	11681	1	Jack, side wind - 2000 lb	
10	14326	3	Ring, retaining	
11	11682	2	Jack, top wind - 2000 lb	
<i>Hitches:</i>				
12	12155B	2	Spacer, coupler	
13	60376	2	Screw, .500-13 x 4.50 std hex, G5	Attaches item 14
14	13003B	1	Coupler, 2.0 ball/3.0 channel	
15	11672B	1	Weldment, hitch - 3.0 x 1.625 ring/2.5 tube	
16	16835B	1	Weldment, lunette ring - 3.0 x 1.0 ring/2.5 tongue	
17	16999B	1	Weldment, lunette ring - 2.5 x 1.0 ring/2.5 tongue	
18	16741ZC	1	Weldment, combo hitch - 2.5 tongue	
19	12229	1	Coupler, 2.31 ball/3.0 channel	
20	50215	2	Screw, .500-13 x 4.0 std hex, G5	Attaches items 15 - 19
21	60309	4	Washer, .500 flat 1.060/.090	Attaches items 15 - 19
22	62221	2	Nut, .500-13 nylock, G5	Attaches items 14 - 19
<i>Spare Tire Carrier:</i>				
23	62221	6	Nut, .500-13 nylock, G5	
24	61096	8	Washer, .500 flat 1.375/.110	
25	12235B	1	Weldment, spare tire holder	
26	60700	2	Washer, .500 flat 1.25/.060 18-8, SS	
27	60388	6	Screw, .500-13 x 1.5 std hex, G5	
28	15976	1	Wheel - ST175/80D13, 1360 lb	
29	60309	4	Washer, .500 flat 1.060/.090	

# AXLE ASSEMBLY

---



01401



## AXLE ASSEMBLY

---

Item	Part No.	Qty	Description	Notes
1	11206	2	Axle hub w/studs and outer races	
2	60674	10	Stud, wheel, .500-20 wheel, G8	
3	11201	4	Bolt, U - 2200 lb	
4	12460	2	Cap, wheel bearing	
5	11203	8	Nut, U-bolt, 2200 lb	
6	11202	2	Tie-plate, 2200 lb	
7	13000	2	Seal - 2200 lb	
8	11511	4	Bearing, roller	Includes bearing races
--	11100	1	Axle - 2200 lb	Items 1 - 8

## RECOMMENDED SPARE PARTS LIST (1 OF 2)

---

### ENGINE - COMMON

Cap, radiator .....	19219
Element, air filter .....	16444
Fuel pump .....	13278

### ENGINE - KUBOTA

Alternator .....	12486
Belt, fan .....	11628
Dipstick .....	12483
Element, fuel filter .....	13515
Element, oil filter .....	10775
Fan, engine .....	15495
Fuel shutdown solenoid .....	13018
Hose, radiator - lower .....	12350
Hose, radiator - upper .....	16687
Kubota, thermostat assy D905 .....	12488
Kubota, thermostat gasket D905 .....	12489
Oil fill cap .....	12484
Starter - MLT3060K .....	30582
Starter - MLT3060M .....	13298
Switch, coolant temperature .....	14099
Switch, oil pressure .....	15375

### ENGINE - MITSUBISHI

Alternator .....	16743
Belt, fan .....	16692
Dipstick .....	11148
Element, fuel filter .....	17647
Element, oil filter .....	16691
Fan, engine .....	16742
Fuel shutdown solenoid .....	16683
Hose, radiator - lower .....	16688
Hose, radiator - upper .....	32383
Mitsubishi, thermostat assy L3E .....	16745
Mitsubishi, thermostat gasket L3E .....	12214
Oil fill cap .....	11147
Starter .....	16833
Switch, coolant temperature .....	16678
Switch, oil pressure .....	16677

### ELECTRICAL

Assembly, light fixture - hard wired .....	13311
Assembly, light fixture - quick disconnect w/cord clip .....	13601
Breaker- main .....	65963
Breaker - light switch .....	14249
Breaker 30A .....	65963
Bulb - 1000W MH short length .....	11391
Capacitor, lights .....	65959
Capacitor, generator - Kubota .....	10733

## RECOMMENDED SPARE PARTS LIST (2 OF 2)

---

Capacitor, generator - Mitsubishi.....	35132
Coil cord .....	11954
GFI.....	14130
Hour meter.....	15085
Key switch .....	15195
Key .....	15309
LED board w/wires .....	17647
Light, indicator red - 12 volt .....	65388
Receptacle 30A, twist .....	14137
Transformer (ballast) .....	10930
Voltage Regulator .....	18556

### MAINTENANCE KITS

Kubota 250 hour service kit.....	SK151
Kubota 2000 hour service kit.....	SK152
Mitsubishi 250 hour service kit.....	SK170
Mitsubishi 2000 hour service kit.....	SK171

### MAST

Cable, 11 ft.....	14151
Cable, 16 ft .....	14798
Cable, 27 ft .....	15006
Handle, winch .....	15623
Winch, manual - no handle.....	16600

### JACKS

Jack, side wind .....	13050
Jack, top wind.....	13051
Cable, tether - jack pin and ground rod cover .....	12647
Pin, jack - 2000 lb., tube mount .....	23256

This Page Intentionally Left Blank







