

DON'T LET YOUR FUEL TANK SIZE LIMIT YOUR UPTIME

GENERAC MOBILE'S NEW EXTENDED RUN FUEL SYSTEM MAKES IT EASY TO EXTEND THE RUN TIME OF YOUR FINAL TIER 4 DIESEL GENERATOR.

Designed for use with TransCube® external fuel and diesel exhaust fluid (DEF) tanks, Generac Mobile's system provides easy fuel and DEF hook ups, with integrated sensors that monitor onboard fuel and DEF levels and transfer from external tanks to the onboard tanks when levels run low. And, because the system utilizes the generator's onboard tanks, you get extra capacity.

ONBOARD TANKS + EXTERNAL TANKS = MAXIMUM CAPACITY

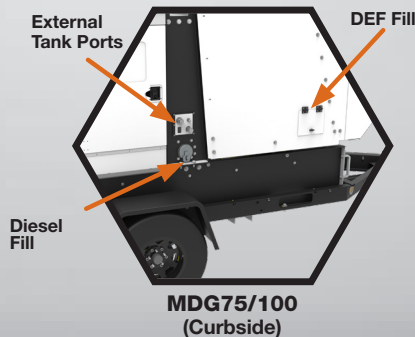
FEATURES & BENEFITS:

- Factory installed option extends the run time of your diesel generator without the hassle of field fitting
- Easy-to-use panel with switch and hookups located in one place
- Innovative design pumps external fuel and DEF into onboard tanks as needed, for maximum capacity and remote monitoring capabilities
- Additional fuel pump reduces wear on primary fuel pump and allows for fuel transfer from farther distances
- Ideal for remote locations to reduce fuel delivery trips and expenses
- Compatible with all TransCube® external fuel and DEF tanks; stack cubes to save space

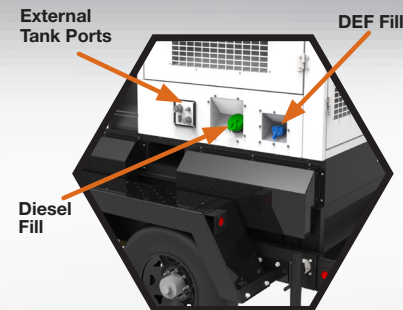


ALLOWS FOR REMOTE MONITORING OF EXTERNAL TANKS

Generac Mobile's extended run fuel system's innovative design pumps fuel and DEF into the onboard tanks, allowing you to monitor levels remotely and receive alerts when tanks are low.



MDG75/100
(Curbside)



MDG150/175/250
(Roadside)



Compatible with TransCube® fuel and DEF cubes



AVAILABLE ON GENERAC MOBILE U.S. AND CANADIAN FINAL TIER 4 DIESEL GENERATORS, 75KVA AND UP.
CONTACT YOUR GENERAC MOBILE REPRESENTATIVE FOR MORE INFORMATION