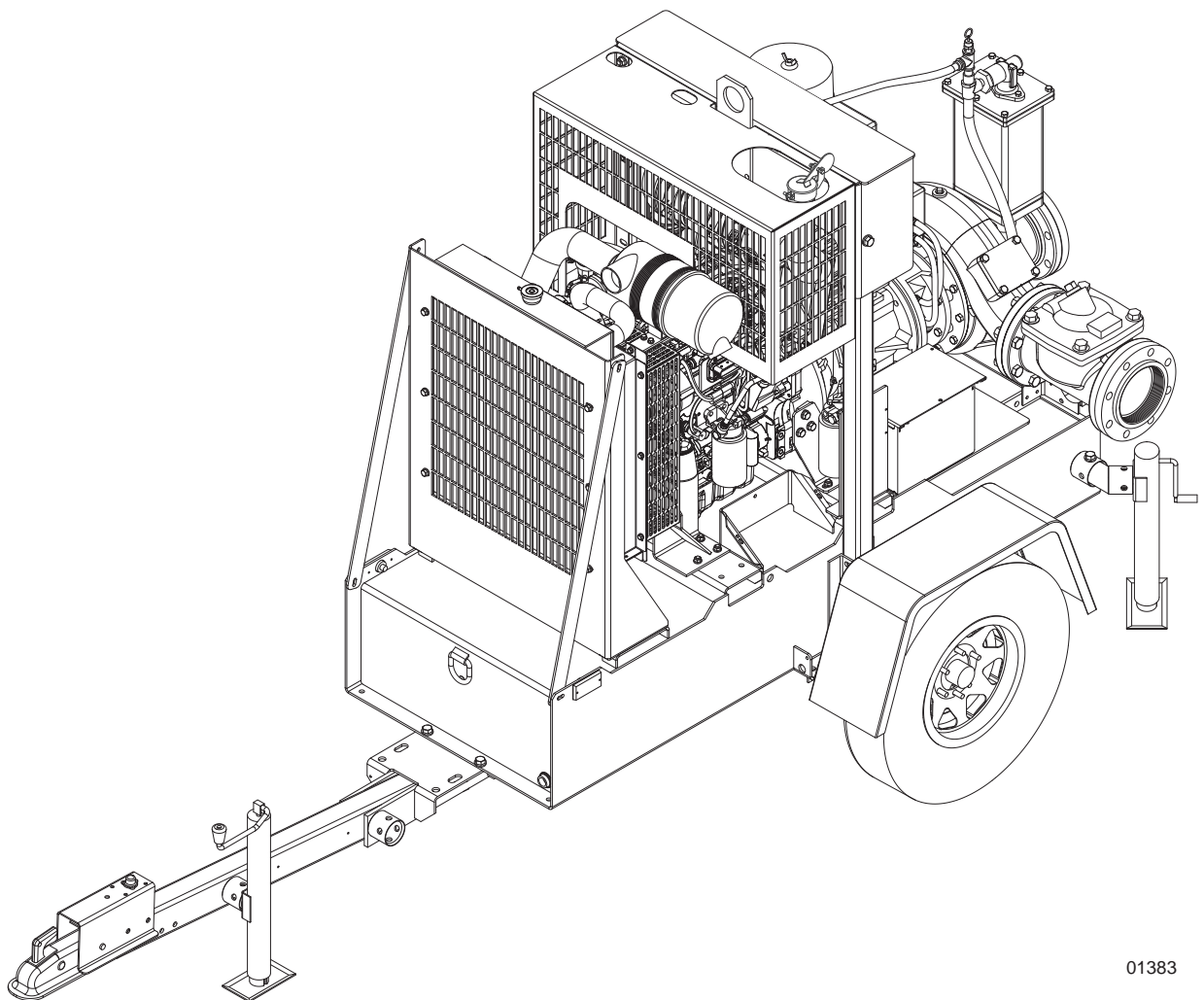


**GENERAC®**

**MOBILE  
PRODUCTS**

**DRY-PRIME DIESEL TRASH PUMP  
MTP6000DZV**



01383

**PARTS MANUAL**

**▲ WARNING**

**CALIFORNIA PROPOSITION 65 WARNING: Diesel engine exhaust and some of its constituents are known to the state of California to cause cancer, birth defects, and other reproductive harm.**

**▲ WARNING**

**CALIFORNIA PROPOSITION 65 WARNING: This product contains or emits chemicals known to the state of California to cause cancer, birth defects, and other reproductive harm.**

# Introduction

This parts manual was prepared based on the information available at the time of publication and is subject to change without notice. Generac Mobile Products, LLC reserves the right to change parts at any time. To check whether a revised parts manual is available, contact Generac Mobile Products, LLC.

DO NOT MODIFY or use this equipment for any application other than which it was designed for. To keep your equipment fully operational, it is suggested you maintain a stock of commonly used maintenance or service parts. A recommended spare parts list can be found in the back of this manual. To order service parts, please go to the Generac website or call Generac Mobile Products, LLC.

## **▲ WARNING**

**Before operating or servicing this equipment, read and understand the Generac Operating Manual which was included with the unit when shipped from the factory.**

**Failure to do so increases the risk of injury to yourself or others.**

## **GENERAC MOBILE PRODUCTS, LLC**

**215 Power Drive • Berlin, WI 54923 U.S.A.**

**Phone: 920-361-4442**

**FAX: 920-361-4416**

**Toll Free: 1-800-926-9768**

**www.generacmobile.com**

**For technical or parts QUESTIONS, please contact the Generac Mobile Products, LLC Customer Support or Technical Support team at 1-800-926-9768.**

Engine Make: \_\_\_\_\_

Engine Serial Number: \_\_\_\_\_

Engine Model Number: \_\_\_\_\_

Pump Make: \_\_\_\_\_

Pump Model Number: \_\_\_\_\_

Pump Serial Number: \_\_\_\_\_

Unit Model Number: \_\_\_\_\_

Unit Serial Number: \_\_\_\_\_

This Page Intentionally Left Blank

# Table of Contents

Parts Manual Instructions.....	1
Unit Decals - Left Side.....	2
Unit Decals - Right Side .....	3
Control Box Assembly .....	4
Air Filter Assembly.....	6
Exhaust System Assembly .....	8
Cooling System Assembly.....	10
Engine and Pump to Skid Assembly .....	12
Engine Assembly - Left Side .....	14
Engine Assembly - Right Side .....	16
External Pump Assembly .....	18
Pump Air Compressor Assembly.....	20
Bearing Frame Assembly .....	22
Priming Chamber Assembly .....	24
Internal Pump Assembly.....	26
Lift Support Assembly.....	28
Fuel Tank Assembly (1 of 2).....	30
Fuel Tank Assembly (2 of 2).....	32
Trailer Assembly.....	34
Trailer Hitch Options .....	36
Axle Assembly .....	38
Trailer Brake Lines .....	40
Recommended Spare Parts List.....	42

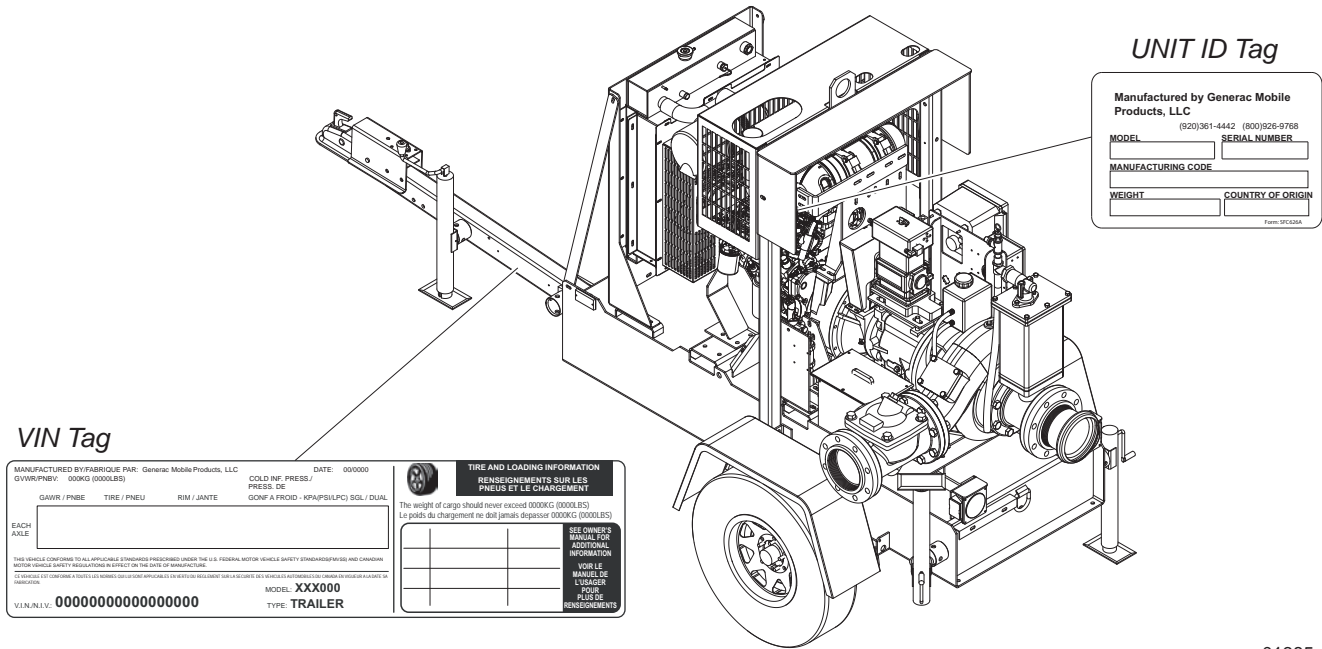
This Page Intentionally Left Blank

# Parts Manual Instructions

Product illustrations are only representations. Products supplied may vary from the illustrations in this parts manual. Parts not shown in the illustration are indicated by a double dash (--) in the item column.

Please be prepared to provide the following information when ordering replacement parts: model number, serial number (on unit serial tag), part number, purchase order number (if applicable), shipping address, shipping method.

Refer to the illustration below to locate the unit ID tag and Vehicle Identification Number (VIN) tag on the unit. Important information, such as the unit serial number, model number, VIN and tire loading information are found on these tags. Record the information from these tags so it is available if the tags are lost or damaged. When ordering parts or requesting assistance, you may be asked to provide this information.



VIN Tag

MANUFACTURED BY/FABRIQUE PAR: Generac Mobile Products, LLC		DATE: 00/0000
GVWR/PNEU: 000KG (0000LBS)		COLD INF. PRESS./ PRESS. DE
GAWR / PNEU	TIRE / PNEU	RIM / JANTE
CONF. A FROID - KPA/PNEU/PC) SGL / DUAL		
EACH AXLE:		
<small>THIS VEHICLE CONFORMS TO ALL APPLICABLE STANDARDS PRESCRIBED UNDER THE U.S. FEDERAL MOTOR VEHICLE SAFETY STANDARDS/REGS. AND CANADIAN MOTOR VEHICLE SAFETY REGULATIONS IN EFFECT TO THE DATE OF MANUFACTURE.  <small>CE VEHICULE EST CONFORME A TOUTES LES NORMES D'USURE APPLICABLES EN VERTU DE LA LOI SUR LA SECURITE DES VEHICULES AUTOMOBILES/EN CANADA EN VIGUEUR A LA DATE DE FABRICATION.</small> </small>		
MODEL: <b>XX000</b>		
V.I.N./N.I.V.: <b>0000000000000000</b>		TYPE: <b>TRAILER</b>

UNIT ID Tag

Manufactured by Generac Mobile Products, LLC	
(920)361-4442 (800)926-9788	
MODEL	SERIAL NUMBER
MANUFACTURING CODE	
WEIGHT	COUNTRY OF ORIGIN
<small>Form: SPCL26A</small>	

01385

# UNIT DECALS - LEFT SIDE

**PUMP OPERATION**

- Level unit with all three jacks.
- Adjust the front wheel leveling.
- Engage the oil. Engine start switch to "Start".
- Allow pump to prime.
- Allow pump to cool 5 minutes.
- If installed, vent pump slowly at casing drain.
- Read operator's manual before starting.

**FUNCTIONNEMENT DE LA POMPE**

- Niveau la unité avec les trois dispositifs nivelants.
- Corrigez les réglages de nivelage à l'avant et à l'arrière.
- Débrayez le frein d'urgence. Collez le interruptor de arranque del motor en "Start" (arranque).
- Après que la pompe se vide.
- Si elle est installée, ventez la pompe lentement à l'échappement de la culbotta.
- Lisez le manuel de l'opérateur avant de commencer à travailler.

**BEDEIUNG DER PUMPE**

- Gerät mit allen drei Niveaugeräten nivellieren.
- Arbeits- und Ausdrückschalter nicht anziehen lassen.
- Notbremse anziehen. Motorstartschalter auf "Start" stellen.
- Pumpe ventilen lassen.
- Bei druckbeaufschlagter Pumpe langsam am Ablassventil ventieren.
- Vor dem Arbeiten anlassen/Anlaufzeit einhalten.

**FUNCTIONNEMENT DE LA POMPE**

- Mettez la pompe à niveau avec les trois crics.
- Adjustez les réglages de nivelage à l'avant et à l'arrière.
- Débrayez le frein d'urgence. Mettez l'interrupteur de démarrage du moteur sur "Start" (démarrage).
- Laissez la pompe à l'air.
- Laissez la pompe refroidir 5 mn avant de commencer à travailler.
- Si la pompe est pressurisée, videz lentement la pompe par le vidage du carter.
- Lire le manuel d'utilisation avant de commencer à travailler.

**WARNING**

This pump is designed for use only with water containing suspended solids. Do not operate in an explosive environment. Do not operate with any fluids, gases or flammable materials or liquids. Always use the correct safety device, always use correct technique.

**WARNING**

Diese Pumpe ist nur zum Pumpen von Wasser mit schwebfesten Partikeln für explosionsgefährdete Umgebungen geeignet.

**ADVERTENCIA**

Esta bomba está diseñada para usar sólo con agua que contenga sólidos en suspensión. No la haga funcionar en un ambiente explosivo. No opere con gases, líquidos, gases inflamables, corrosivos o inflamables. Siempre utilice el dispositivo de seguridad correcto y siempre utilice la técnica correcta.

**AVVERTISSEMENT**

Cette pompe est conçue pour être utilisée uniquement avec de l'eau contenant des matières solides en suspension. Ne pas faire fonctionner la pompe dans un environnement explosif. Ne pas utiliser avec des matériaux ou des liquides volatils, corrosifs ou inflammables.

La pompe n'est à être utilisée qu'avec de l'eau contenant des matières solides en suspension.

**WARNING**

Pump has automatically shut which can cause serious injury. Disconnect before leaving pump.

**WARNING**

Pumpe kann automatisch anhalten und schwere Verletzungen verursachen. Vor der Inbetriebnahme die Notbremse betätigen lassen.

**ADVERTENCIA**

Bomba puede detenerse automáticamente, y causar lesiones graves. Desconecte la bomba antes de salir o servicio técnico.

**AVVERTISSEMENT**

La pompe peut s'arrêter automatiquement, ce qui peut entraîner de graves blessures. Débranchez la pompe avant de la quitter.

**WARNING**

**WARNING**

**ADVERTENCIA**

**AVVERTISSEMENT**

**WARNING**

**WARNING**

**ADVERTENCIA**

**AVVERTISSEMENT**

**ULTRA LOW SULFUR FUEL ONLY**

**S515 mg/kg**

**DANGER**

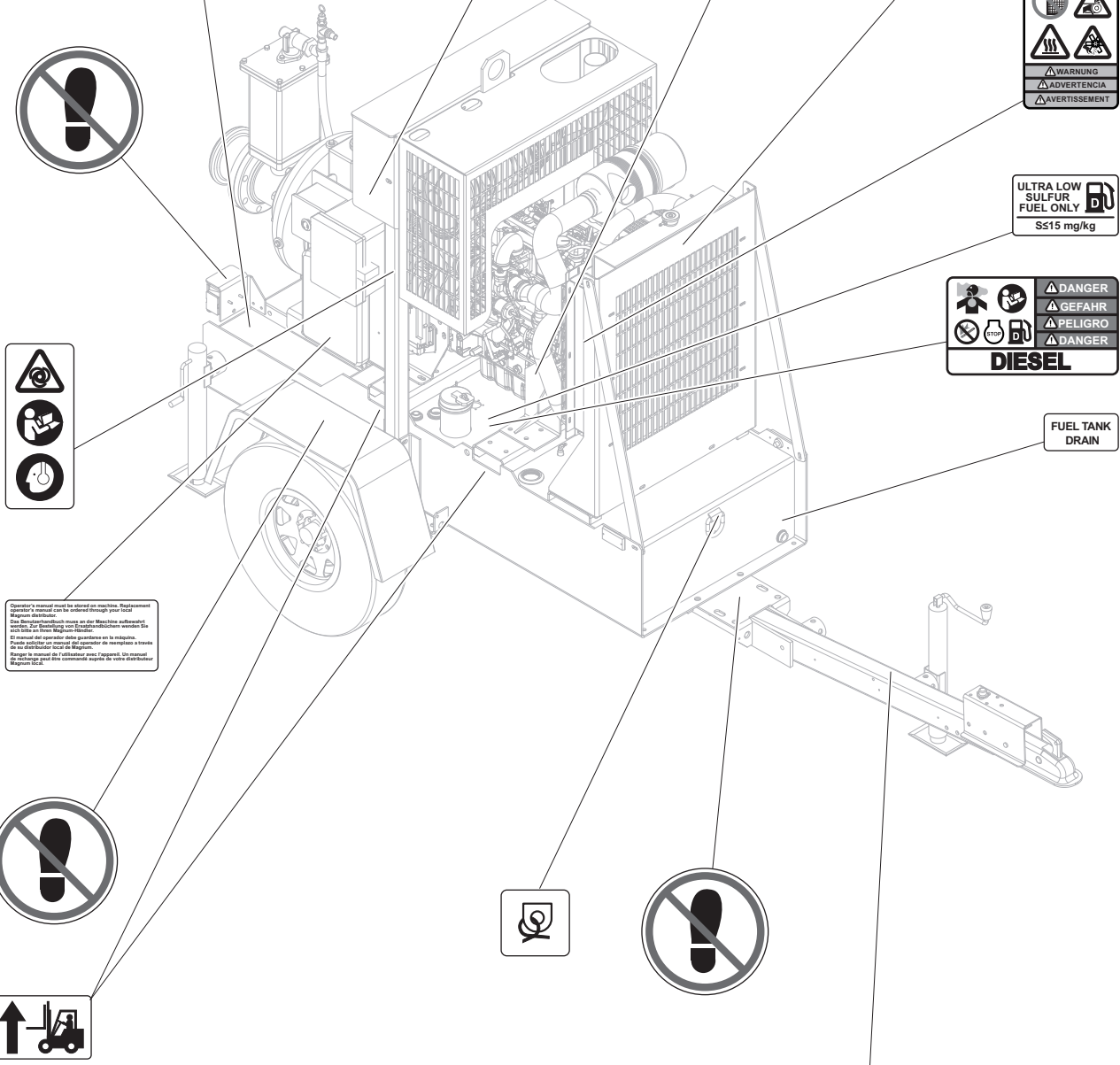
**GEFAHR**

**PELIGRO**

**DANGER**

**DIESEL**

**FUEL TANK DRAIN**



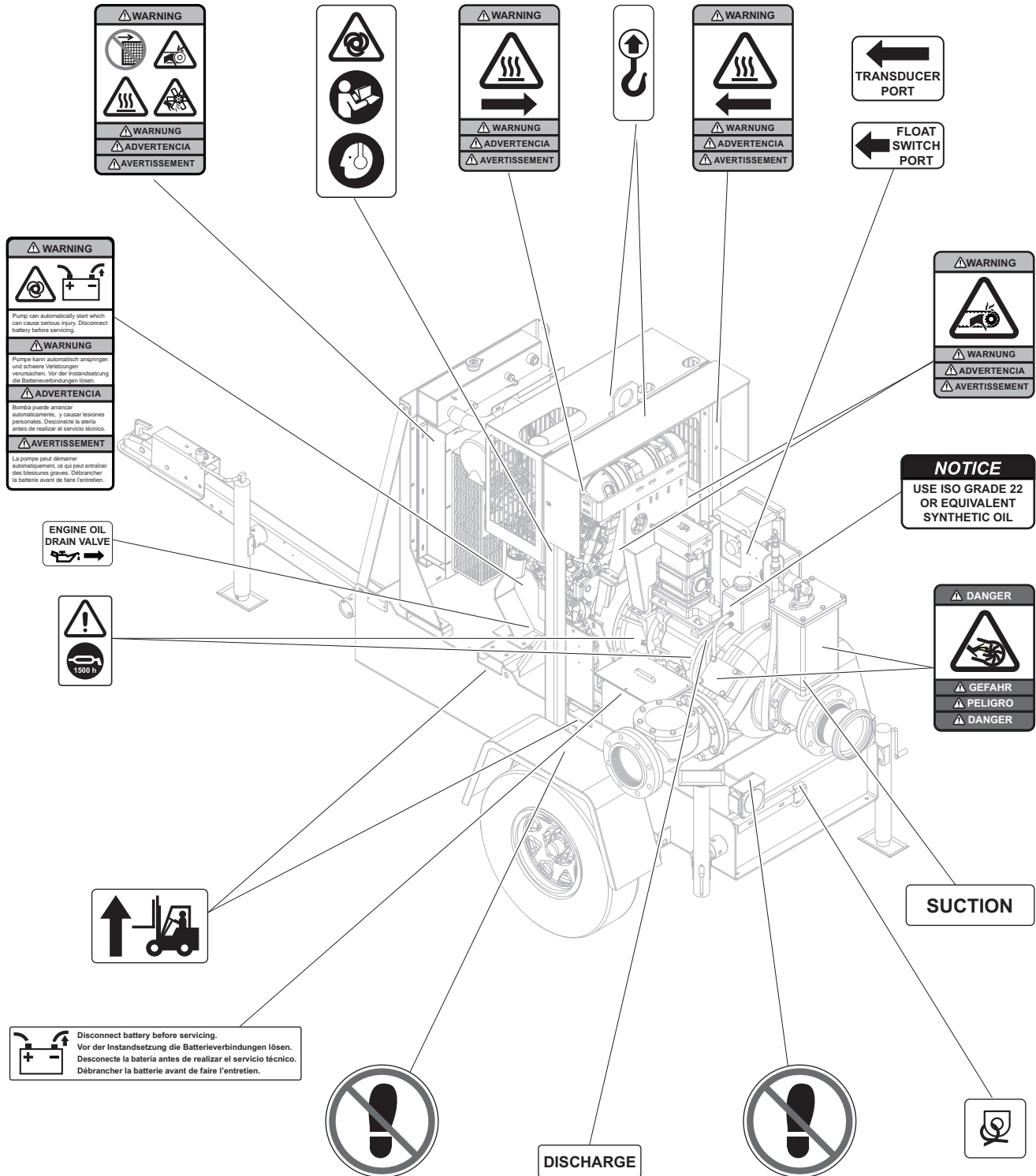
Operator's manual must be stored on machine. Read/operation manual must be stored on machine. Read/operation manual must be stored on machine. Read/operation manual must be stored on machine.

<p><b>TOWING INSTRUCTIONS</b></p> <ol style="list-style-type: none"> <li>Read operator's manual.</li> <li>Use hitch rated for trailer's gross vehicle weight rating.</li> <li>Always safety chains using a cross pattern.</li> <li>Always breakdown chain to vehicle.</li> <li>Check trailer lights.</li> </ol>	<p><b>ABSCHLEPPINSTRUKTIONEN</b></p> <ol style="list-style-type: none"> <li>Bedienerevanschreiben lesen.</li> <li>Anhängervorrichtung verwenden, die den Gesamtanzugsbereich des Anhängers abdeckt.</li> <li>Sicherheitsketten mit Querschleife anbringen.</li> <li>Anhängerketten sichern.</li> </ol>	<p><b>INSTRUCCIONES DE REMOLQUE</b></p> <ol style="list-style-type: none"> <li>Leer el manual del operario.</li> <li>Utilice un enganche correctamente clasificado para la "tasa de peso bruto" del vehículo de remolque.</li> <li>Asegure los cables correctamente al remolque al vehículo de remolque.</li> <li>Fije en cruz los cadenas de seguridad.</li> <li>Fije en el vehículo de remolque la cadena de desmontamiento.</li> <li>Compruebe las luces del remolque.</li> </ol>	<p><b>INSTRUCTIONS DE REMORQUAGE</b></p> <ol style="list-style-type: none"> <li>Lire le notice d'emploi.</li> <li>Utiliser un crochet d'attelage conforme au poids nominal du poids brut du véhicule de tracteur agricole.</li> <li>Débrancher les chaînes correctement au véhicule tracteur.</li> <li>Attacher les chaînes de sécurité en utilisant une méthode croisée.</li> <li>Attacher le câble de démontage au véhicule.</li> <li>Vérifier les lampes de la remorque.</li> </ol>
---	--	--	--

**Note:** All safety and operating decals are located on decal sheet 31615 unless otherwise noted.



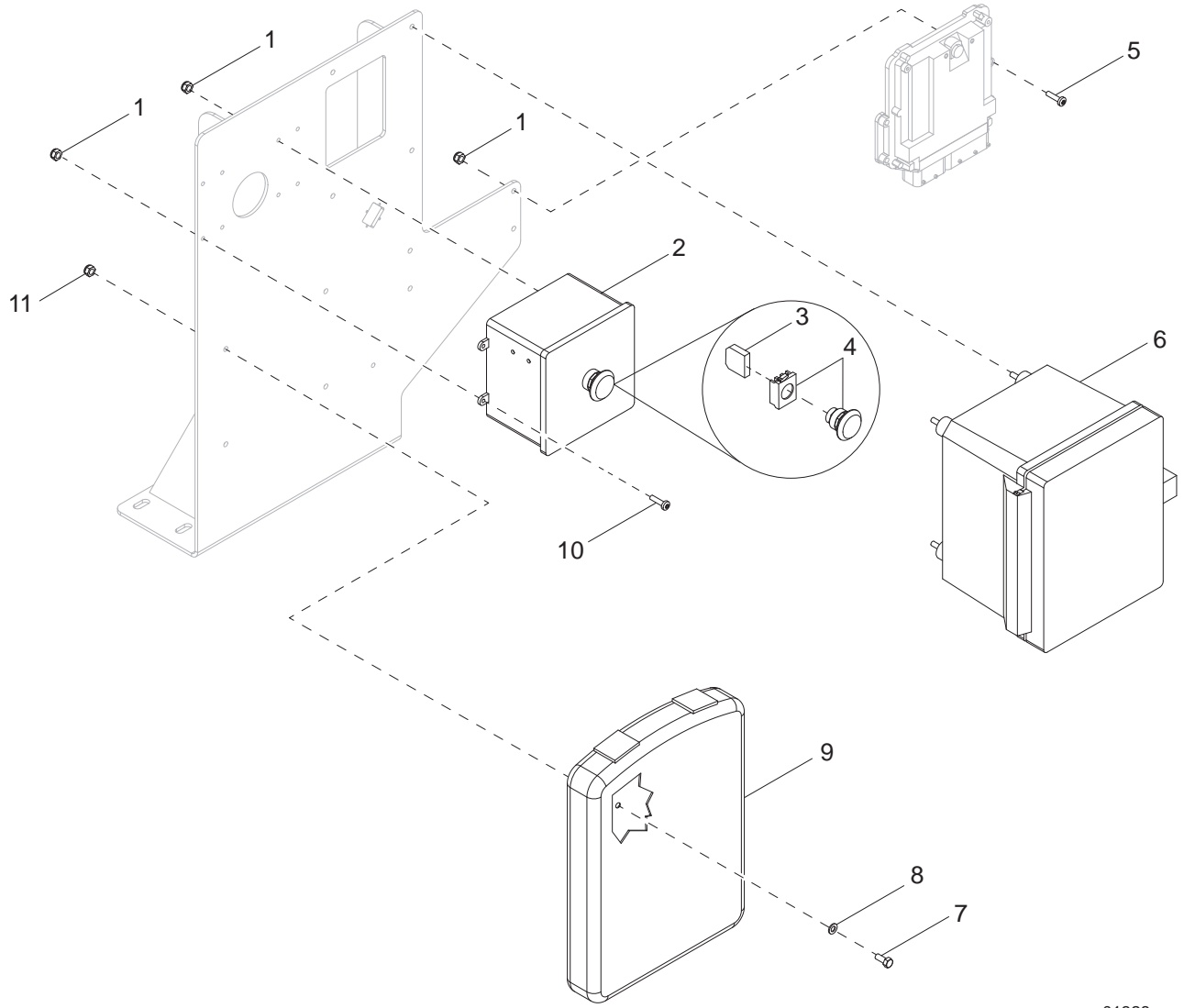
# UNIT DECALS - RIGHT SIDE



01371

**Note:** All safety and operating decals are located on decal sheet 31615 unless otherwise noted.

# CONTROL BOX ASSEMBLY



01328

## CONTROL BOX ASSEMBLY

Item	Part No.	Qty	Description	Notes
1	60061	12	Nut,10-32 nylock	
2	31514	1	Assembly, E-stop box	
--	65416	1	Nut, Duetsch HDP series	Included with item 2
--	65417	1	Washer, lock - Duetsch HDP series	Included with item 2
--	31597	1	Box, modified - E-stop	Included with item 2
--	61045	5	Nut, 10-32 sflg	Included with item 2
--	66455	2	Relay, 12V/70A NC/80A NO w/diode	Included with item 2
--	65049	1	Relay, 12V/30-40A NO w/diode	Included with item 2
--	60398	1	Screw, 10-32 x .500 pan phil, SS	Included with item 2
--	60243	2	Washer, .250 flat .735/.060	Included with item 2
3	65584	1	Block, E-stop contacter NO/NO	
4	65470	1	Switch, E-stop operator	
5	60396	4	Screw, 10-32 x 1.250 pan phil, G2	
6	68532	1	Assembly, control box w/controller 31504 (Lofa 750)	
--	31503	1	Controller, programmed MTP4D Deutz	
--	60062	8	Screw, 10-32 x .750 pan phil, G2	Included with item 6
--	60303	4	Nut, .312-18 nylock, G2	Included with item 6
--	62001	4	Screw, .312-18 x 1.250 std hex, G5	Included with item 6
7	60281	4	Screw, .250-20 x .750 std hex, G5	
8	60243	4	Washer, .250 flat, .735/.060	
9	24540	1	Holder, manual	
10	60062	4	Screw, 10-32 x .750 pan phil, G2	
11	60144	4	Nut, .250-20 nylock, G5	
--	68304	1	Harness, main	
--	62187	4	Screw, 4-40 x .500 pan phil, SS	Use with item 68304
--	60758	4	Nut, 4-40 nylock, G2	Use with item 68304
--	68381	1	Wire group, E-stop box	

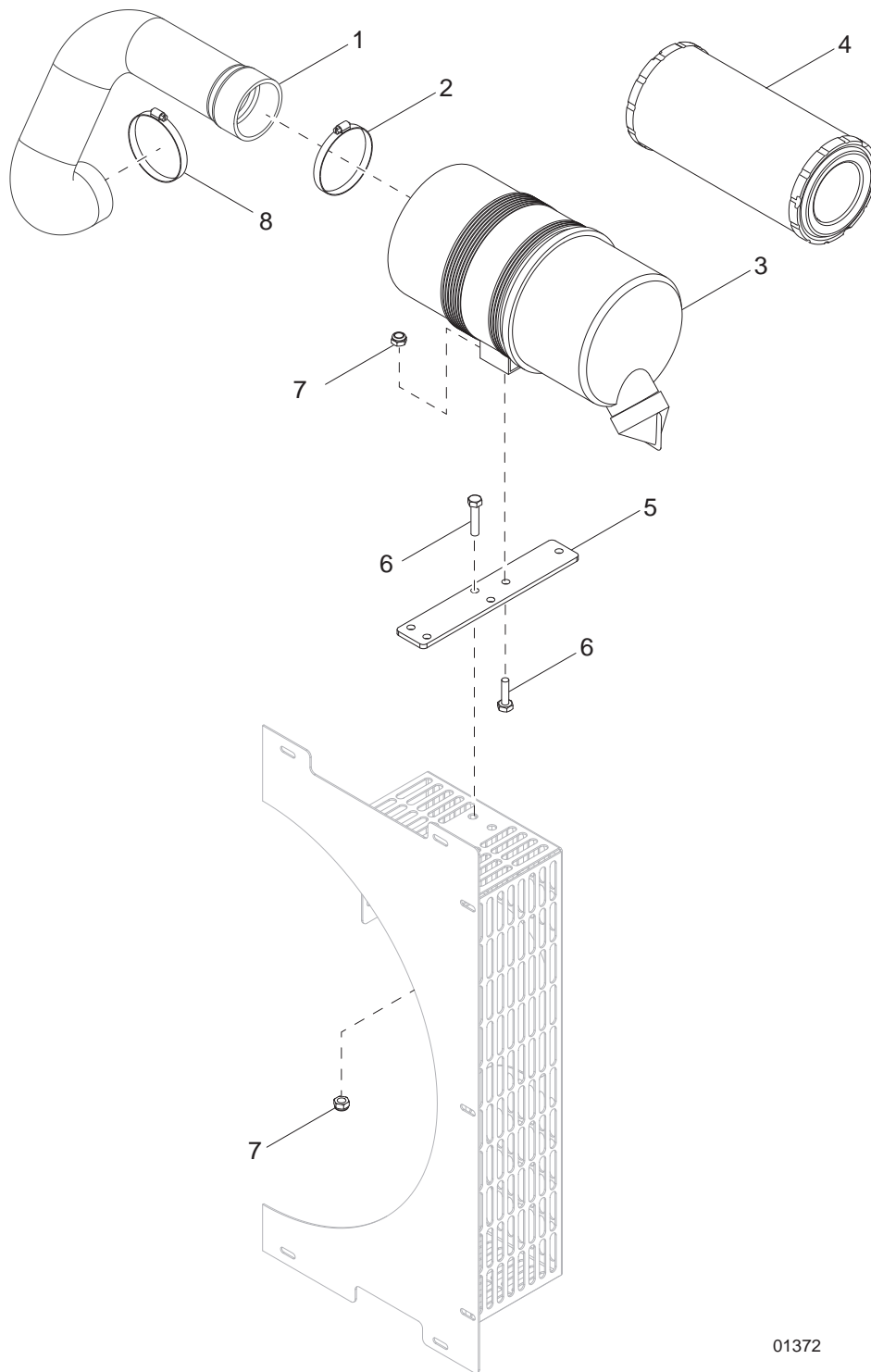
### OPTIONAL FEATURES

#### *Float Switches:*

--	49607	1	Adapter, harness - LOFA float switch
--	41581	1	Assembly, float switch

# AIR FILTER ASSEMBLY

---



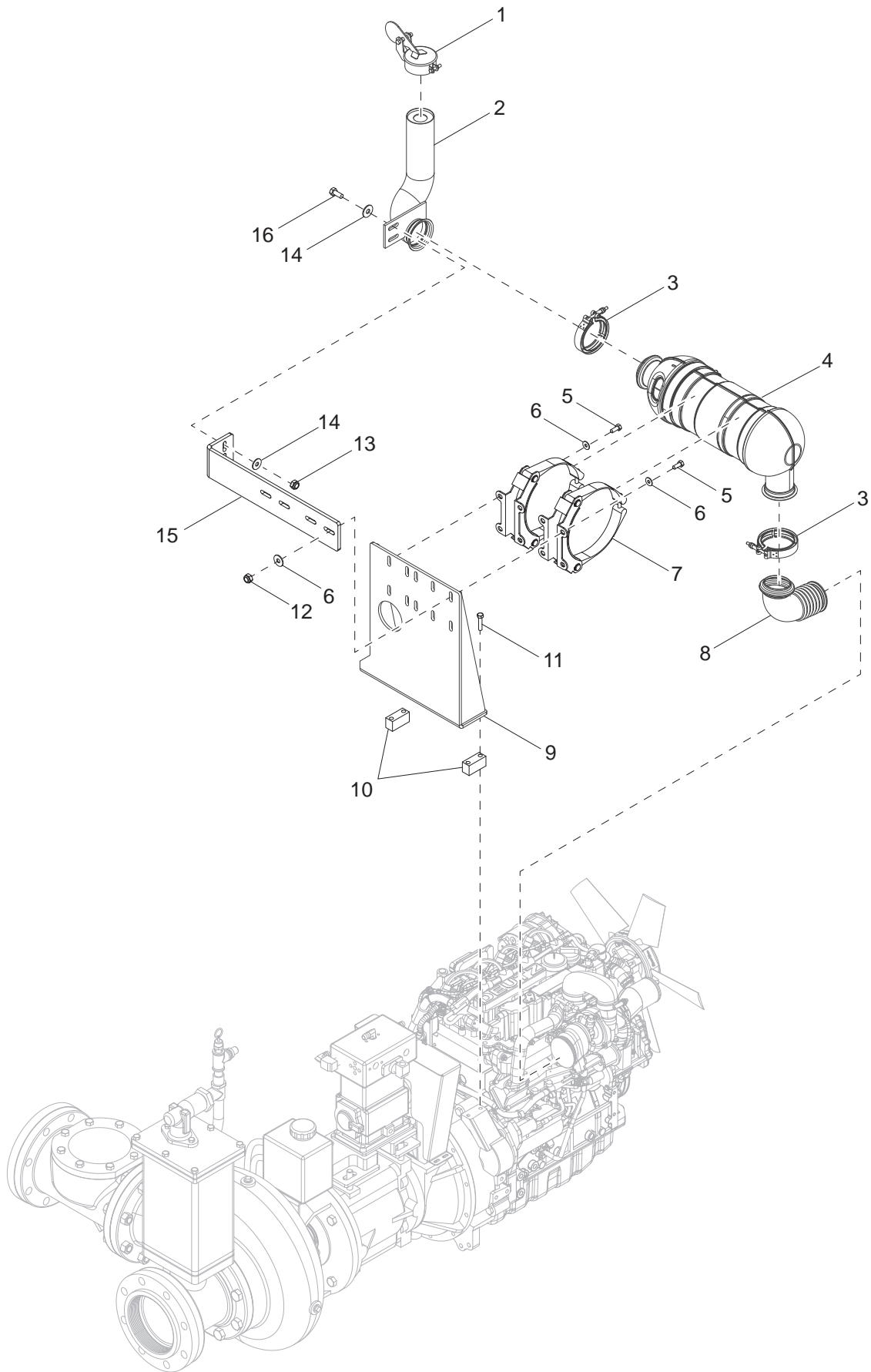
01372

## AIR FILTER ASSEMBLY

---

Item	Part No.	Qty	Description	Notes
1	31461	1	Hose, air filter	
2	19336	1	Clamp, hose - SAE 044 (2.31-3.25)	
3	22967	1	Filter, air	
4	22874	1	Element, air filter	
5	31462B	1	Bracket, air filter	
6	60028	6	Screw, .312-18 x 1.0 std hex, G5	
7	60303	6	Nut, .312-18 nylock, G5	
8	18663	1	Clamp, hose - SAE 060 (3.31-4.25)	

# EXHAUST SYSTEM ASSEMBLY



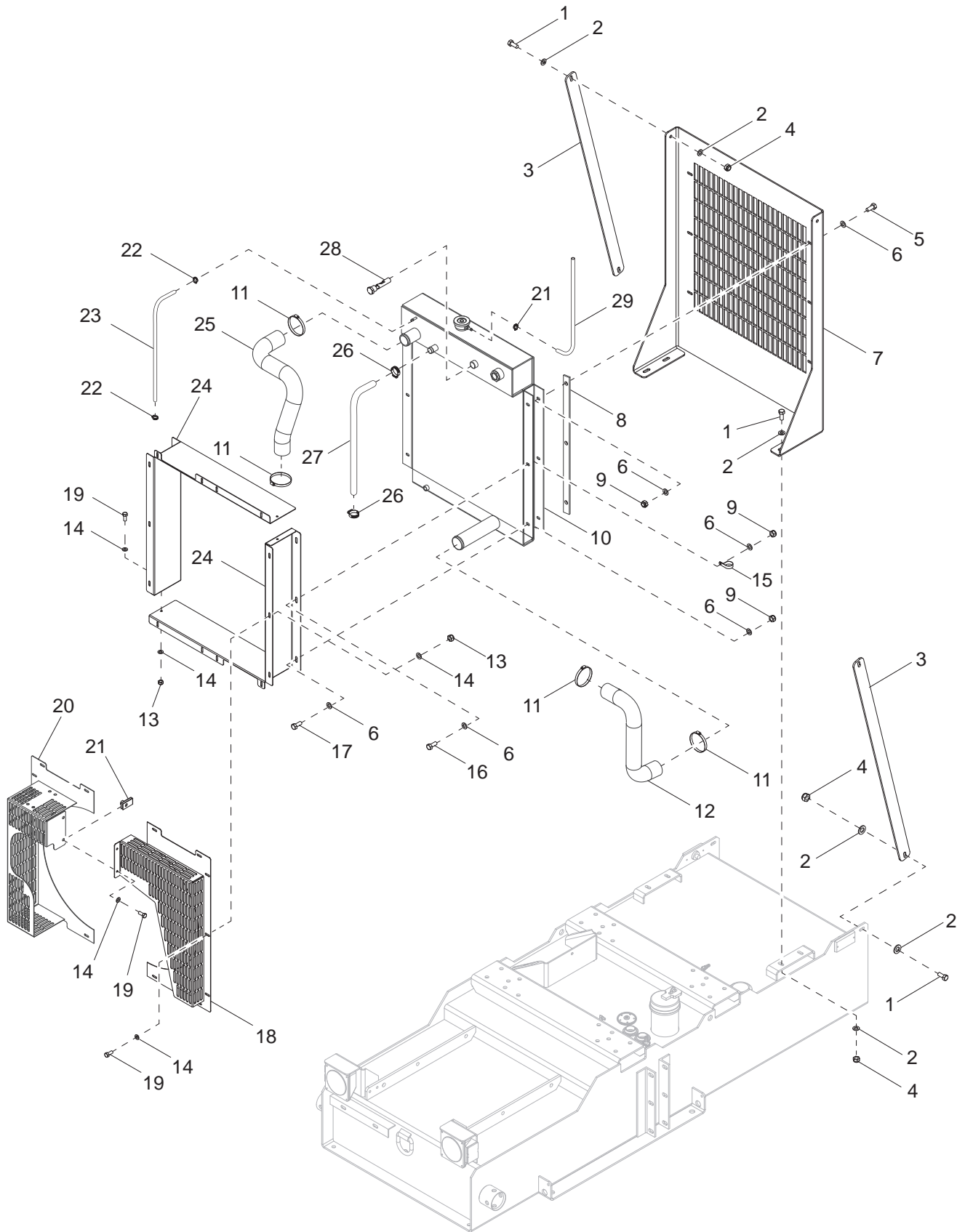
01373

## EXHAUST SYSTEM ASSEMBLY

---

Item	Part No.	Qty	Description	Notes
1	21089	1	Cap, rain - 3.0	
2	31628	1	Weldment, exhaust pipe	
3	63248	2	Clamp, V-band - 3.88 ID/.40 SC width	
4	31449	1	DOC, Deutz TD2.9	
5	60256	8	Screw, .312-18 x 1.50 std hex, fully threaded, G5	
6	60119	16	Washer, .312 flat .875/.070	
7	31450	2	Clamp, DOC	
8	31595	1	Weldment, DOC pipe	
9	31547B	1	Weldment, DOC support	
10	31539B	2	Spacer	
11	60152	4	Screw, M10-1.50 x 60 std hex, G8.8	
12	60303	8	Nut, .312-18 nylock, G2	
13	60358	2	Nut, .375-16 nylock, G5	
14	60386	4	Washer, .375 flat .993/.064	
15	31626B	1	Bracket, tail pipe support	
16	60352	2	Screw, .375-16 x 1.250 std hex, G5	

# COOLING SYSTEM ASSEMBLY



01331

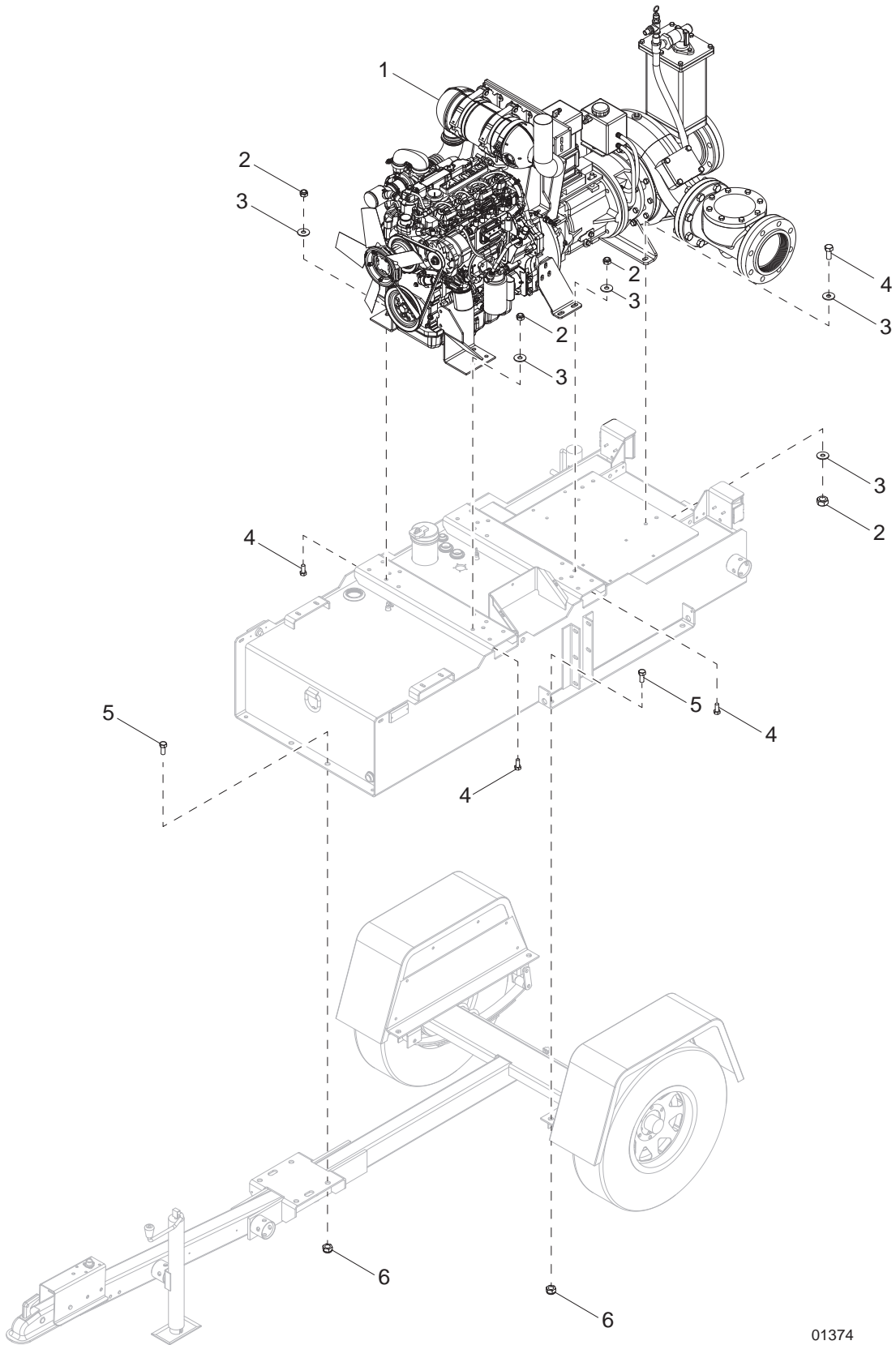


## COOLING SYSTEM ASSEMBLY

---

Item	Part No.	Qty	Description	Notes
1	60352	8	Screw, .375-16 x 1.250 std hex, G5	
2	60386	16	Washer, .375 flat .993/.064	
3	31583B	2	Strut, radiator support	
4	60358	8	Nut, .375-16 nylock, G5	
5	62001	6	Screw, .312-18 x 1.250 std hex, G5	
6	60119	24	Washer, .312 flat .875/.070	
7	31548B	1	Bracket, radiator support	
8	31650B	2	Spacer, radiator	
9	60303	12	Nut, .312-18 nylock, G2	
10	38321	1	Radiator, w/expansion tank	
11	60316	4	Clamp, hose - SAE 032 (1.56-2.50)	
12	31440	1	Hose, radiator - lower	
13	60144	16	Nut, .250-20 nylock, G5	
14	60243	34	Washer, .250 flat .735/.060	
15	15627	1	Clamp, tubing - .625 heavy duty	
16	60028	1	Screw, .312-18 x 1.00 std hex, G5	
17	61061	6	Screw, .312-18 x .875 std hex, G5	
18	31582B	1	Weldment, fan guard - right	
19	60281	18	Screw, .250-20 x .750 std hex, G5	
20	31581B	1	Weldment, fan guard - left	
21	61143	2	Nut, .250-20 U-clip - short type	
22	14216	3	Clamp, hose - SAE 004 (.21-.62) mini	
23	50017	1 ft	Hose, fuel - .250 ID, 50 psi, SAE 30R7	
24	31561B	2	Shroud, fan	
25	31439	1	Hose, radiator - upper	
26	19338	2	Clamp, hose - SAE 016 (.68-1.50)	
27	51019	2 ft	Hose, heater .875 J20R3	
28	68206	1	Sensor, low coolant, wet sinking	
29	50018	3 ft	Hose, fuel - .312 ID, 50 psi, SAE 30R7	

# ENGINE AND PUMP TO SKID ASSEMBLY



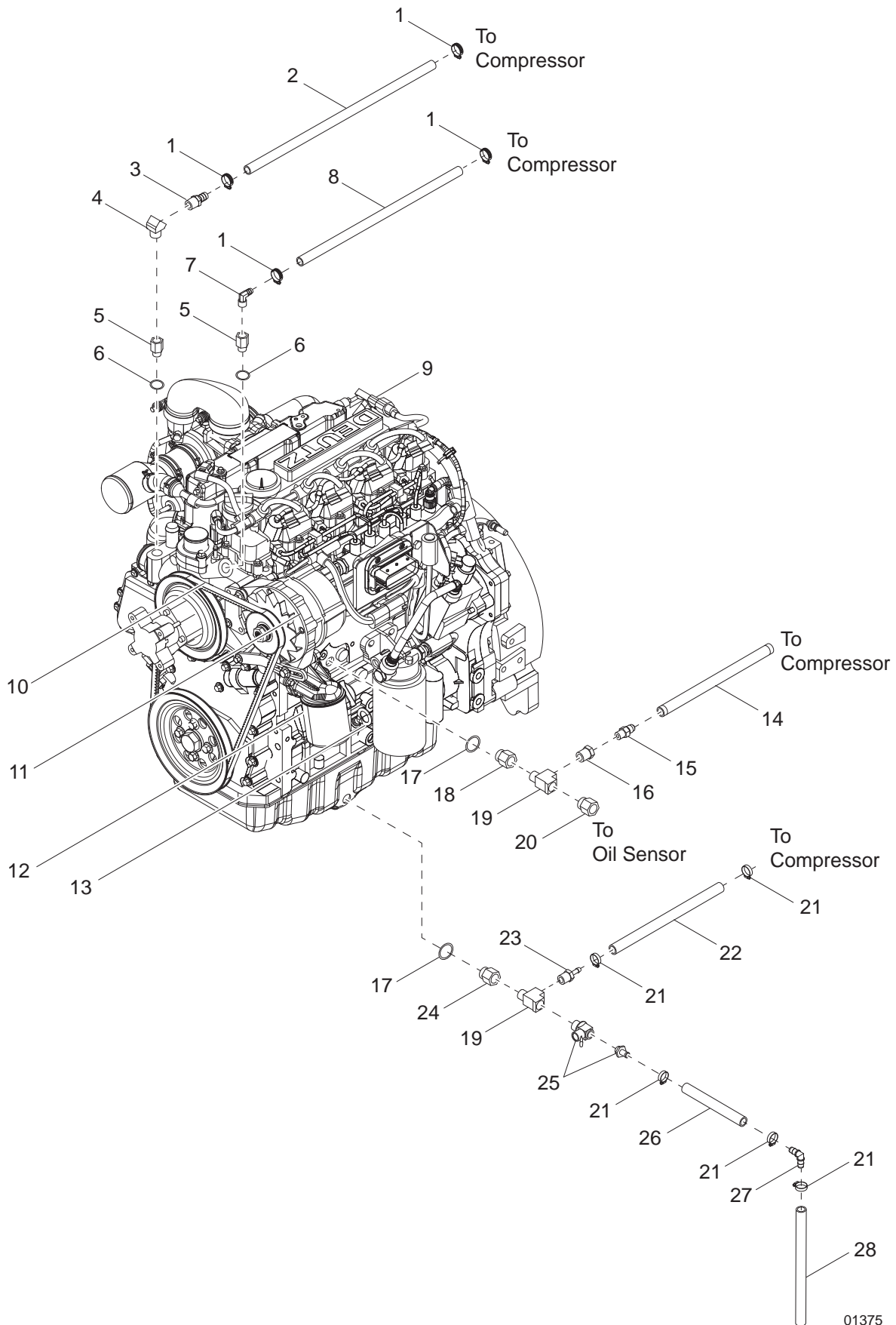
01374

## ENGINE AND PUMP TO SKID ASSEMBLY

---

Item	Part No.	Qty	Description	Notes
1	31531	1	Assembly, engine/pump - Deutz TD2.9/Cornell 6.0	
2	62221	12	Nut, .500-13 nylock, G5	
3	60309	14	Washer, .500 flat 1.060/.090	
4	60388	12	Screw, .500-13 x 1.50 std hex, G5	
5	61078	6	Screw, .625-11 x 2.0 flg hex, G8	
6	60240	6	Nut, .625-11 nylock, G5	

# ENGINE ASSEMBLY - LEFT SIDE



01375

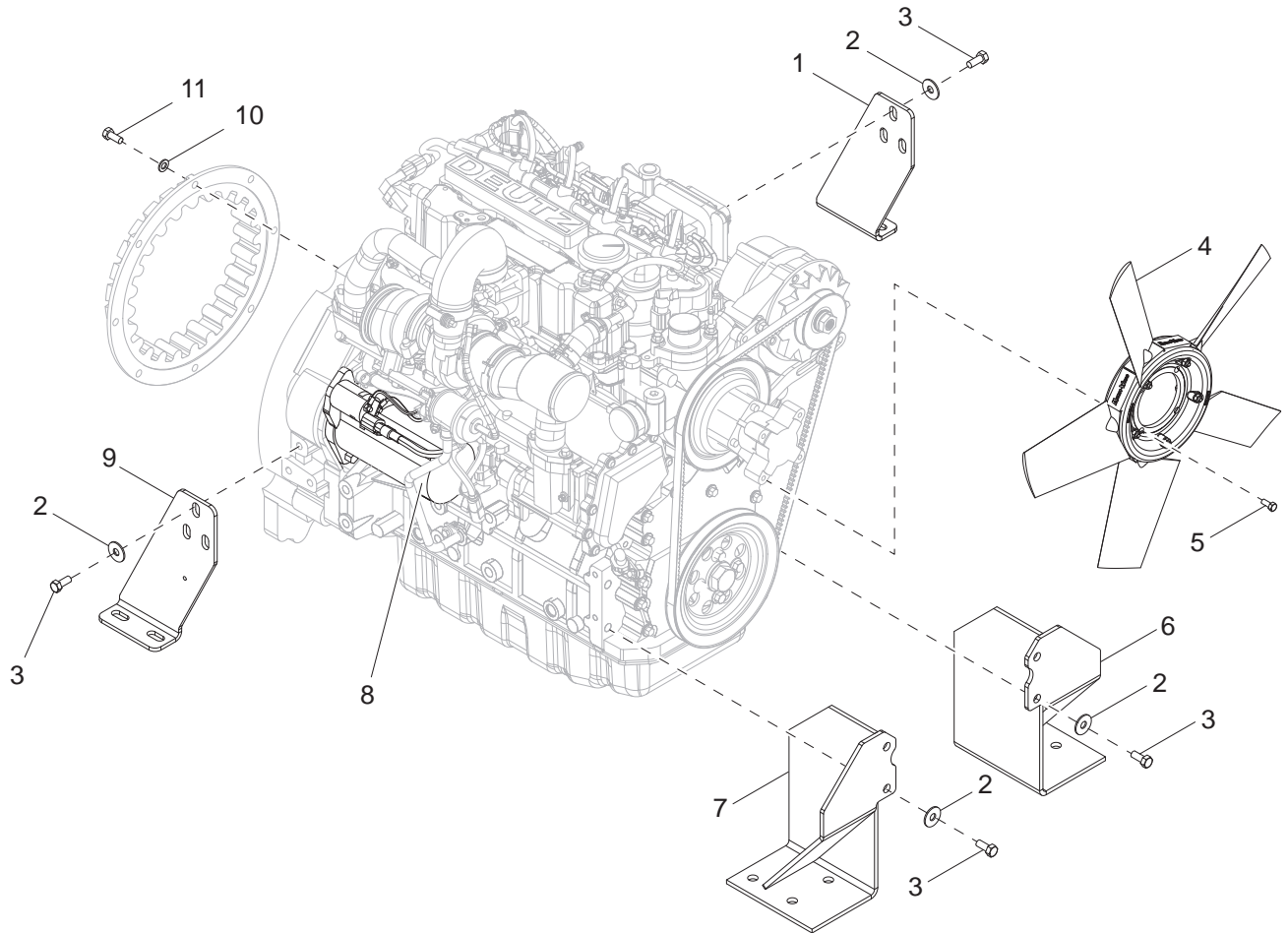
## ENGINE ASSEMBLY - LEFT SIDE

---

Item	Part No.	Qty	Description	Notes
1	60365	4	Clamp, hose - SAE 010 (.56-1.06)	
2	50201	2.66 ft	Hose, .625 in., 200 psi, class A	
3	60502	1	Fitting, strt - .500MNPT x .625 barb, brass	
4	61040	1	Fitting, 45° - .500MNPT x .500FNPT brass	
5	19307	2	Fitting, strt - .500FNPT x M22 x 1.50	
6	19467	2	Seal, M22	
7	61014	1	Fitting, 90° - .500MNPT x .625 barb, brass	
8	50201	3 ft	Hose, .625 in., 200 psi, class A	
9	31381	1	Engine, Deutz TD2.9 - T4F 66hp, variable speed	
10	52213	1	Belt, fan	
11	52214	1	Alternator	
12	52212	1	Filter, oil	
13	52215	1	Dipstick, oil	
14	41420	1	Hose, oil supply .250 ID x 50.0, 300 psi - .25FJIC	
15	61073	1	Fitting, strt - .125 MNPT x .250MJIC brass	
16	22603	1	Fitting, strt - .375MNPT x .125FNPT brass	
17	63223	2	Seal, M16	
18	33146	1	Fitting, strt - .375FNPT x M16-1.5 male	
19	22602	2	Fitting, T - .375MNPT x FNPT x FNPT brass	
20	31618	1	Fitting, strt - .375MNPT x M16-1.5 female	
21	14216	5	Clamp, hose - SAE 004 (.21-.62) mini	
22	50051	3.75 ft	Hose, fuel - .375 ID, 50 psi, SAE 30R7	
23	25082	1	Fitting, strt - .375MNPT x .375 barb	
24	61033	1	Fitting, strt - .375FNPT x M18 x 1.50 O-ring	
25	37619	1	Valve, drain .375-18NPT	
26	50051	.70 ft	Hose, fuel - .375 ID, 50 psi, SAE 30R7	
27	63367	1	Fitting, 90° - .375 barb x .375 barb	
28	50051	1.5 ft	Hose, fuel - .375 ID, 50 psi, SAE 30R7	

**Note:** Engine and pump parts used in all Generac Mobile Products, LLC equipment carry the Original Equipment Manufacturer (OEM) warranty unless otherwise stated. OEM warranty parts must be purchased through an OEM dealer. Please contact Generac Mobile Products, LLC with questions.

# ENGINE ASSEMBLY - RIGHT SIDE



01376

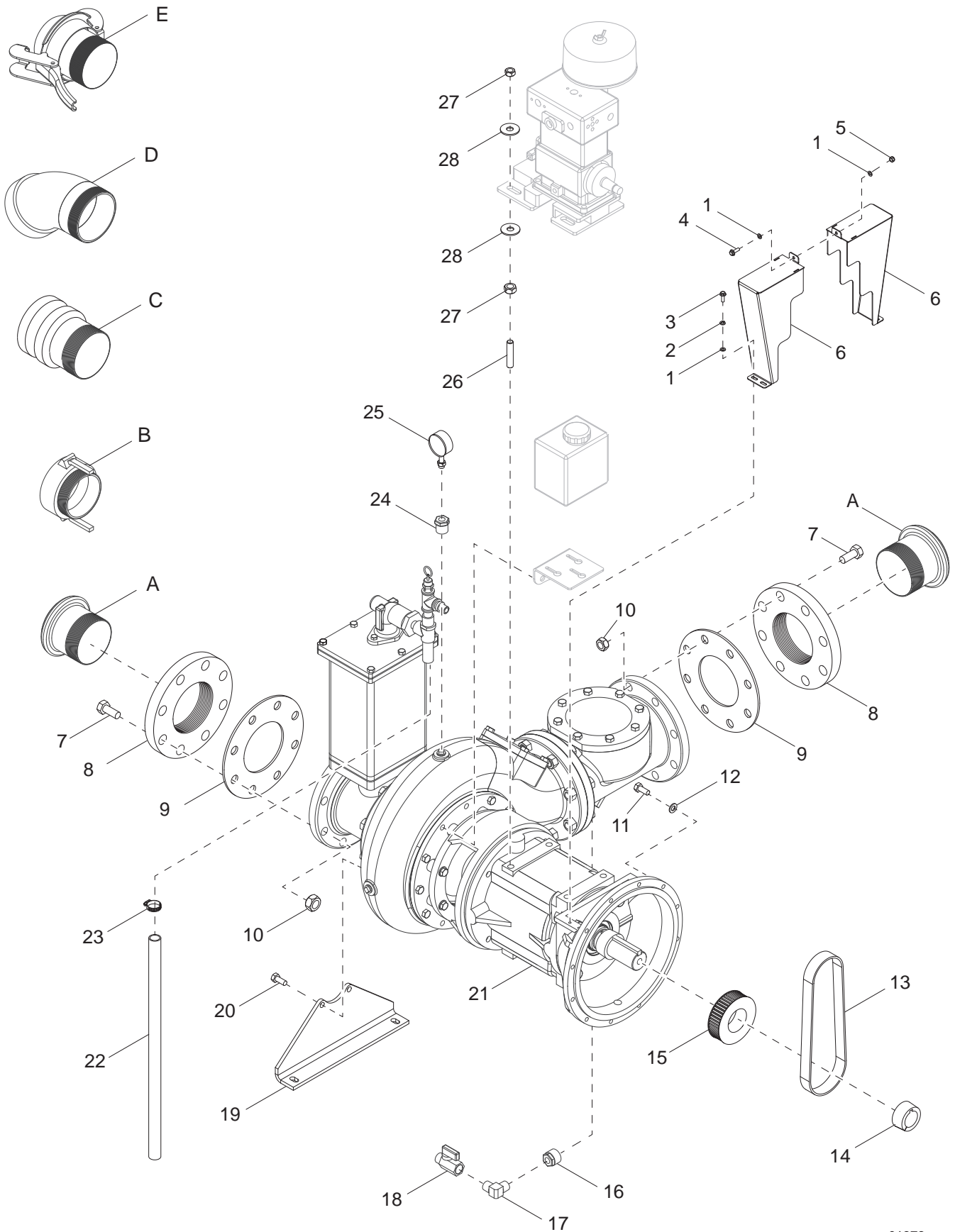
## ENGINE ASSEMBLY - RIGHT SIDE

---

Item	Part No.	Qty	Description	Notes
1	31533B	1	Bracket, engine mount - bell housing, left	
2	60012	10	Washer, M12 flat	
3	62277	10	Screw, M12-1.75 x 25 std hex, G10.9	
4	31410	1	Fan, pusher - 20.0 CW	
5	61204	4	Screw, M8-1.25 x 20 std hex, G10.9	
6	31527B	1	Weldment, engine mount, left	
7	31530B	1	Weldment, engine mount, right	
8	52219	1	Starter	
9	31534B	1	Bracket, engine mount - bell housing, right	
10	60027	8	Washer, M10 flat	
11	63338	8	Screw, M10 - 1.50 x 20 hex, G10.9	

**Note:** Engine and pump parts used in all Generac Mobile Products, LLC equipment carry the Original Equipment Manufacturer (OEM) warranty unless otherwise stated. OEM warranty parts must be purchased through an OEM dealer. Please contact Generac Mobile Products, LLC with questions.

# EXTERNAL PUMP ASSEMBLY



01378



## EXTERNAL PUMP ASSEMBLY

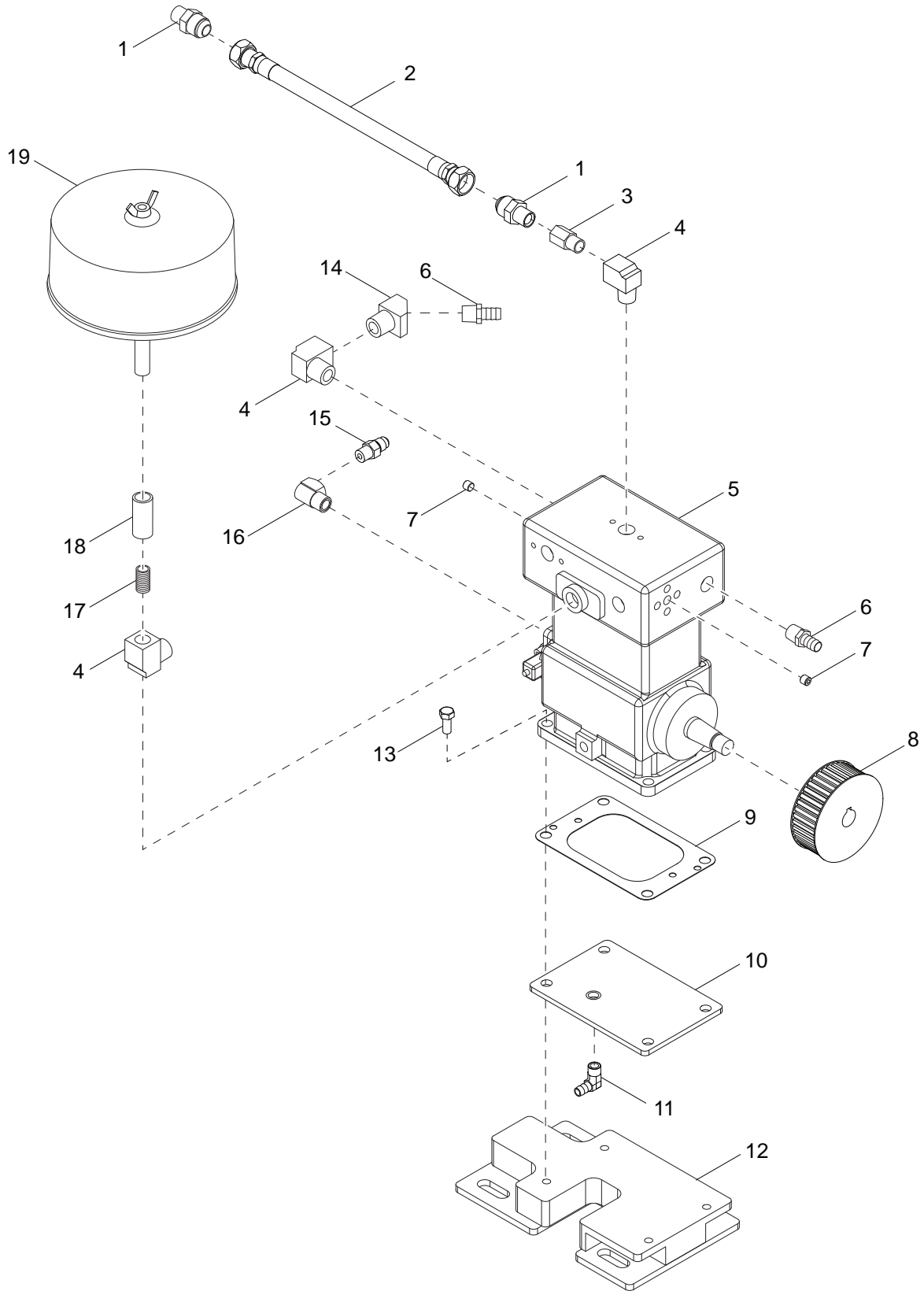
Item	Part No.	Qty	Description	Notes
1	60243	6	Washer, .250 flat .735/.060	
2	60286	4	Washer, .250 split lock	
3	60175	4	Screw, .250-20 x .500 sflg hex, G5	
4	60523	1	Screw, .250-20 x .875 sflg hex	
5	60144	1	Nut, .250-20 nylock, G5	
6	31608B	2	Guard, belt	
7	61076	16	Screw, .750-10 x 3.0 std hex, G5	
8	41306B	2	Flange, 6.0NPT female - ANSI 150 lb	
9	41061	2	Gasket, pump flange - 6.0	
10	61077	16	Nut, .750-10 jam, G2 thin	
11	60055	12	Screw, M10-1.50 x 35 std hex, G10.9	
12	60027	12	Washer, M10 flat	
13	31432	1	Belt, compressor	
14	31469	1	Bushing, taper lock - 2012 x 2.0 bore	
15	30498	1	Pulley, driver - 48 tooth	
16	63117	1	Fitting, strt - 1.0MNPT x .375FNPT	
17	23069	1	Fitting, 90° - .375MNPT, brass	
18	62032	1	Valve, ball .375FNPT, mini	
19	31532B	1	Bracket, pump support	
20	63186	2	Screw, .500-13 x 1.250 std hex, G5	
21	30281B	1	Pump, trash - 6.0 dry prime, 10 dia	
22	50332	4.33 ft	Hose, fuel - .750 ID, 35 psi, SAE 30R7	
23	60365	1	Clamp, hose - SAE 010 (.56-1.06)	
24	19401	1	Fitting, Strt - .500MNPT x .250FNPT	
25	49420	1	Gauge, vacuum 0-30 HG, 2.50 dial, .25NPT	
26	31636	4	Stud, .625-11 x 4.0 fully threaded, G5	
27	61071	8	Nut, .625-11 jam, thin, G5	
28	60521	8	Washer, .625 flat 1.743/.108	

### OPTIONAL FEATURES

#### *Inlet and Outlet Fittings:*

A	41327	2	Socket, 6.0 x 6.0MNTP
B	41329	1	Coupler, cam and groove - 6.0FNPT x 6.0MNPT
C	41587	1	Coupler, cam and groove - 6.0 male x 6.0NPT
D	41556B	1	Weldment, pump fitting - 6.0NPT, 45°
E	41325	1	Ring, ball and lock, 6.0 x 6.0MNTP

# PUMP AIR COMPRESSOR ASSEMBLY



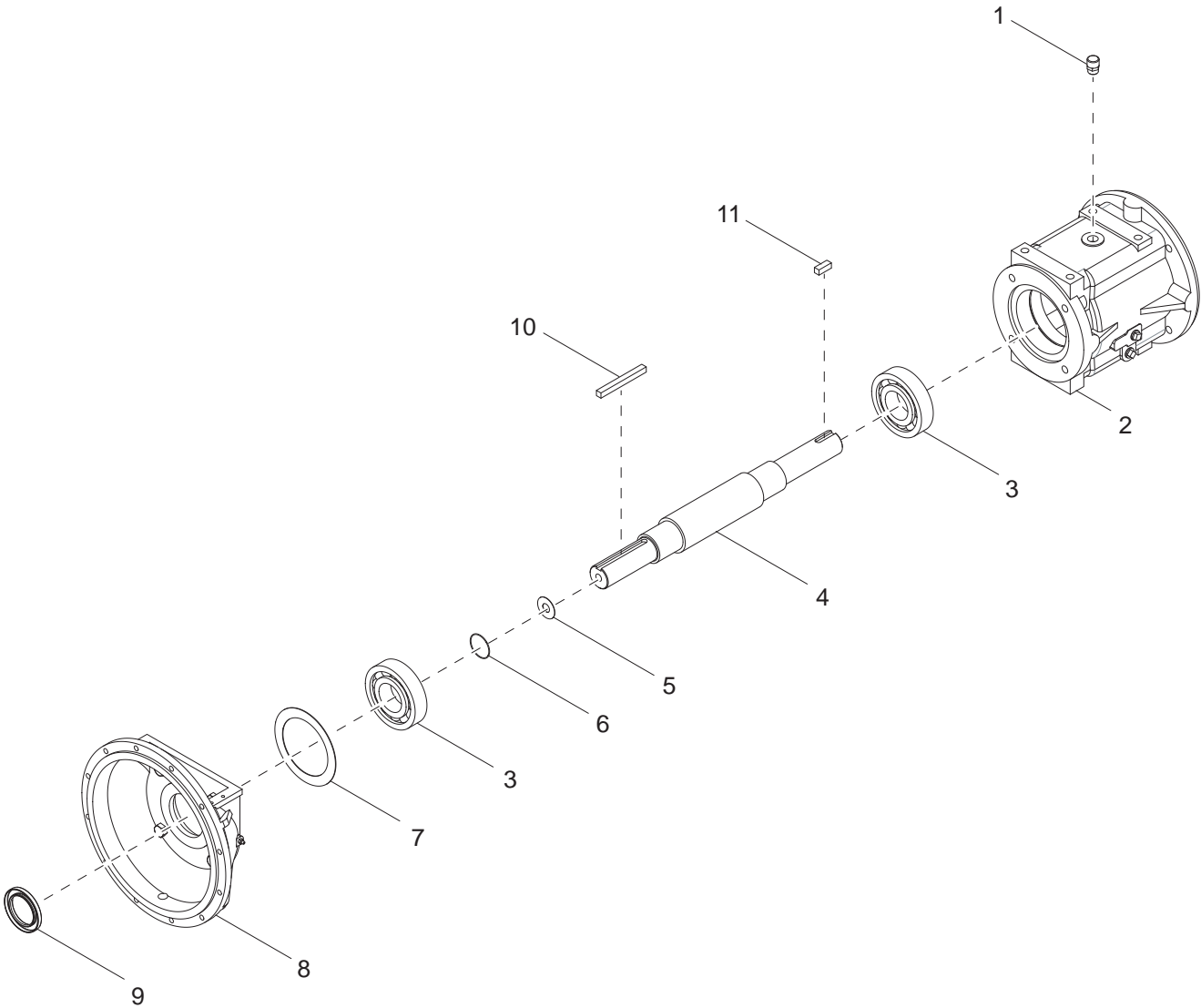
01336

## PUMP AIR COMPRESSOR ASSEMBLY

---

Item	Part No.	Qty	Description	Notes
1	63181	2	Fitting, strt - .500MNPT x .750, 37° JIC	
2	31658	1	Assembly, hose .750 braided x 15.50 in	
3	31657	1	Valve, check	
4	60998	3	Fitting, 90° - .500MNPT x .500FNPT brass	
5	49267	1	Compressor, air - Bendix	
6	60502	2	Fitting, strt - .500MNPT x .625 barb, brass	
7	63115	2	Fitting, plug - .125NPT x flush mount	
8	30497	1	Pulley, driven - 40 tooth	
9	49421	1	Gasket, compressor base	
10	32703B	1	Bracket, compressor base	
11	20645	1	Fitting, 90° - .250NPT x .375 barb, brass	
12	31445B	1	Weldment, compressor mount	
13	63283	4	Screw, .438-14 x 1.50 std hex, G5	
14	61040	1	Fitting, 45° - .500MNPT x .500FNPT, brass	
15	61073	1	Fitting, strt - .125MNPT x .250MJIC brass	
16	60734	1	Fitting, 90° - .125MNPT x .125FNPT brass	
17	60438	1	Fitting, pipe nipple - .500NPT x close	
18	21437	1	Fitting, strt - .500NPT coupler x 1.50	
19	31630	1	Air cleaner - .500NPT	
--	31631	1	Element, air cleaner	

# BEARING FRAME ASSEMBLY



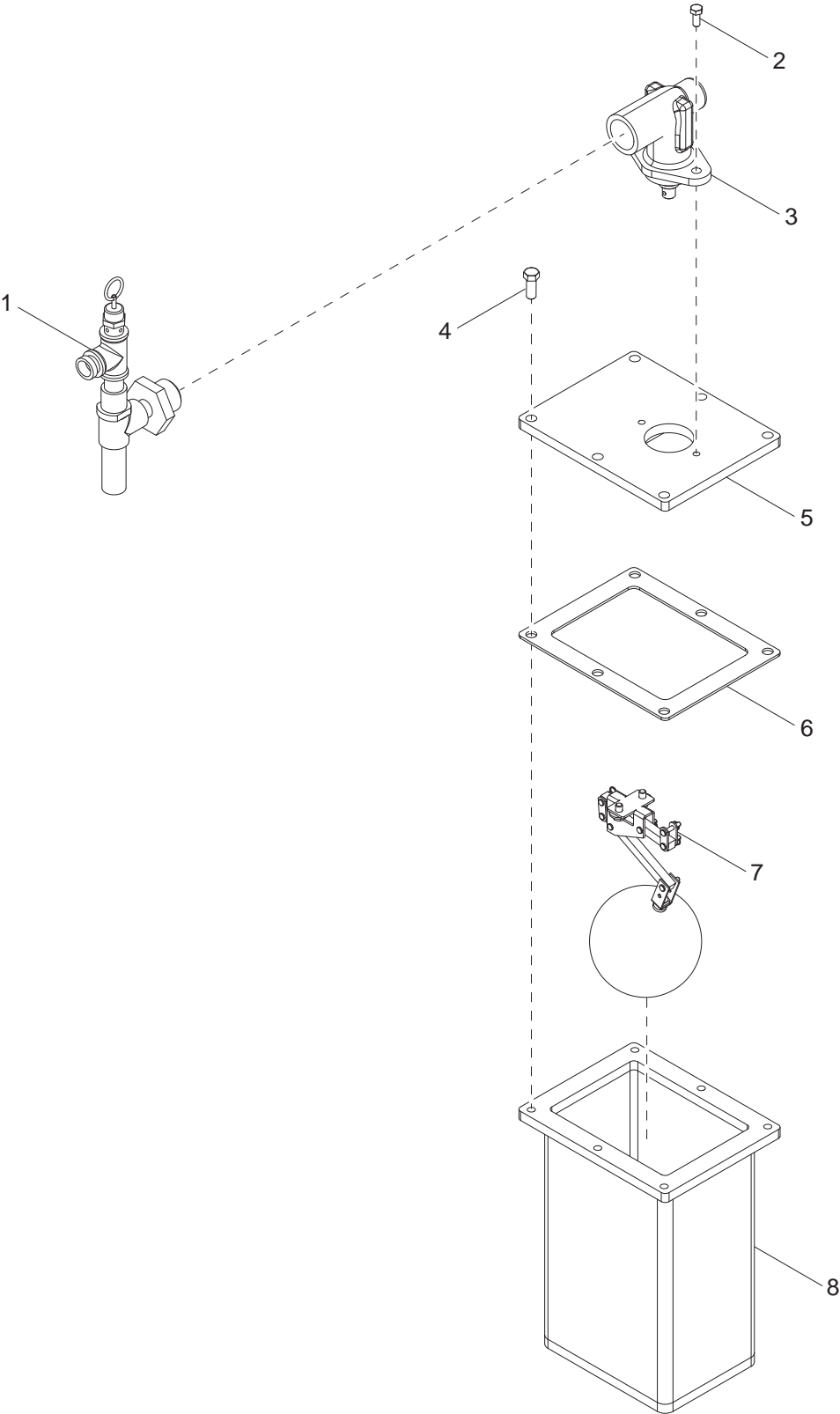
01381

## BEARING FRAME ASSEMBLY

---

Item	Part No.	Qty	Description	Notes
1	52034	1	Breather, .500NPT	
2	52130	1	Frame, pump	
3	52134	2	Bearing, 16B	
4	52133	1	Shaft, 6NNT	
5	52118	1	Shim, .005	
6	52124	1	O-ring, 2.00 x 2.19 x .090	
7	52142	1	Shim, .010	
8	52043	1	Bracket, engine	
9	52139	1	Seal, lip	
10	52146	1	Key, drive end .500 x 4.00	
11	52117	1	Key, impeller .500 x 1.38	

# PRIMING CHAMBER ASSEMBLY



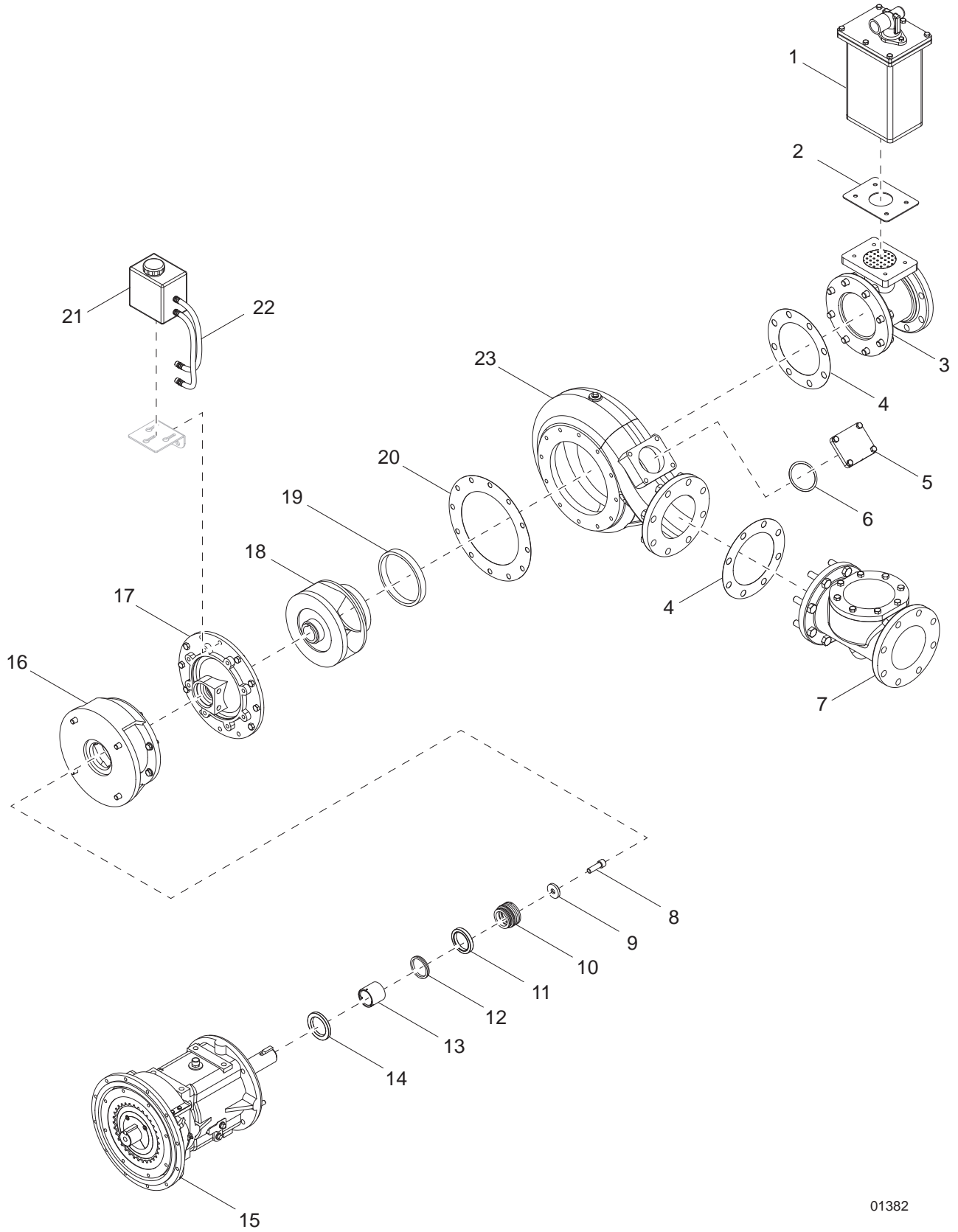
01339

## PRIMING CHAMBER ASSEMBLY

---

Item	Part No.	Qty	Description	Notes
1	52195	1	Fitting, priming	
2	52167	2	Capscrew, hex .31NC x .50	
3	31656	1	Valve, priming chamber	
4	52178	6	Screw, .440 x 1.25 std hex, SS	
5	52163	1	Cover, priming chamber	
6	52177	1	Gasket, priming chamber - upper	
7	52165	1	Assembly, float linkage	
8	52180	1	Priming chamber	
--	52162	1	Assembly, priming chamber	

# INTERNAL PUMP ASSEMBLY



01382

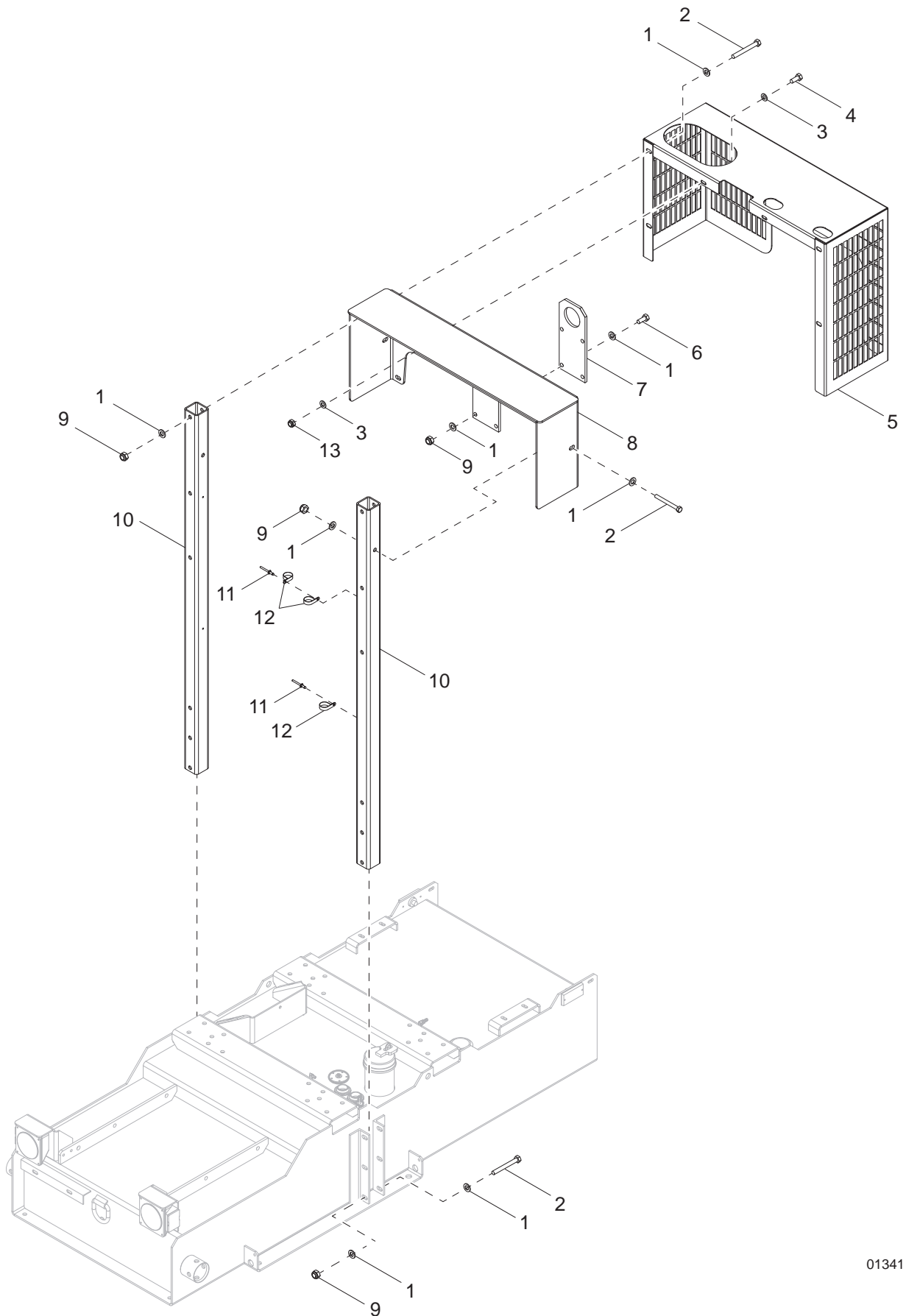


## INTERNAL PUMP ASSEMBLY

---

Item	Part No.	Qty	Description	Notes
1	<a href="#">Page 24</a>	1	Assembly, priming chamber	
2	52077	1	Gasket, priming chamber - lower	
3	52196	1	Spool, 6.0 x 6.0 fabricated	
4	52197	2	Gasket, 6.0 in - full face	
5	52111	1	Cover, clean out	
6	52018	1	Deflector	
7	52199	1	Valve, 6.0 x 6.0	
8	52116	1	Lock screw, .62NC x 2.0, socket head	
9	52115	1	Washer, impeller	
10	52126	1	Seal, 2002S RP	
11	52127	1	Seal, lip - 2.50 x 3.375	
12	52128	1	V-ring	
13	52123	1	Sleeve, 2.50 x 2.0 x 2.25 chrome	
14	52139	1	Seal, lip	
15	<a href="#">Page 22</a>	1	Assembly, bearing frame	
16	52135	1	Bracket, 8B4	
17	52119	1	Backplate	
18	52114	1	Impeller, 4NNT - 1.94 in blind bore	
19	52107	1	Ring, wear 7.50 x 6.75 x .88 open	
20	52109	1	Gasket, volute	
21	52049	1	Reservoir, w/cap - run-dry	
22	52159	2	Hose, .38 ID	
23	52108	1	Volute, 6NNT w/clean out	

# LIFT SUPPORT ASSEMBLY



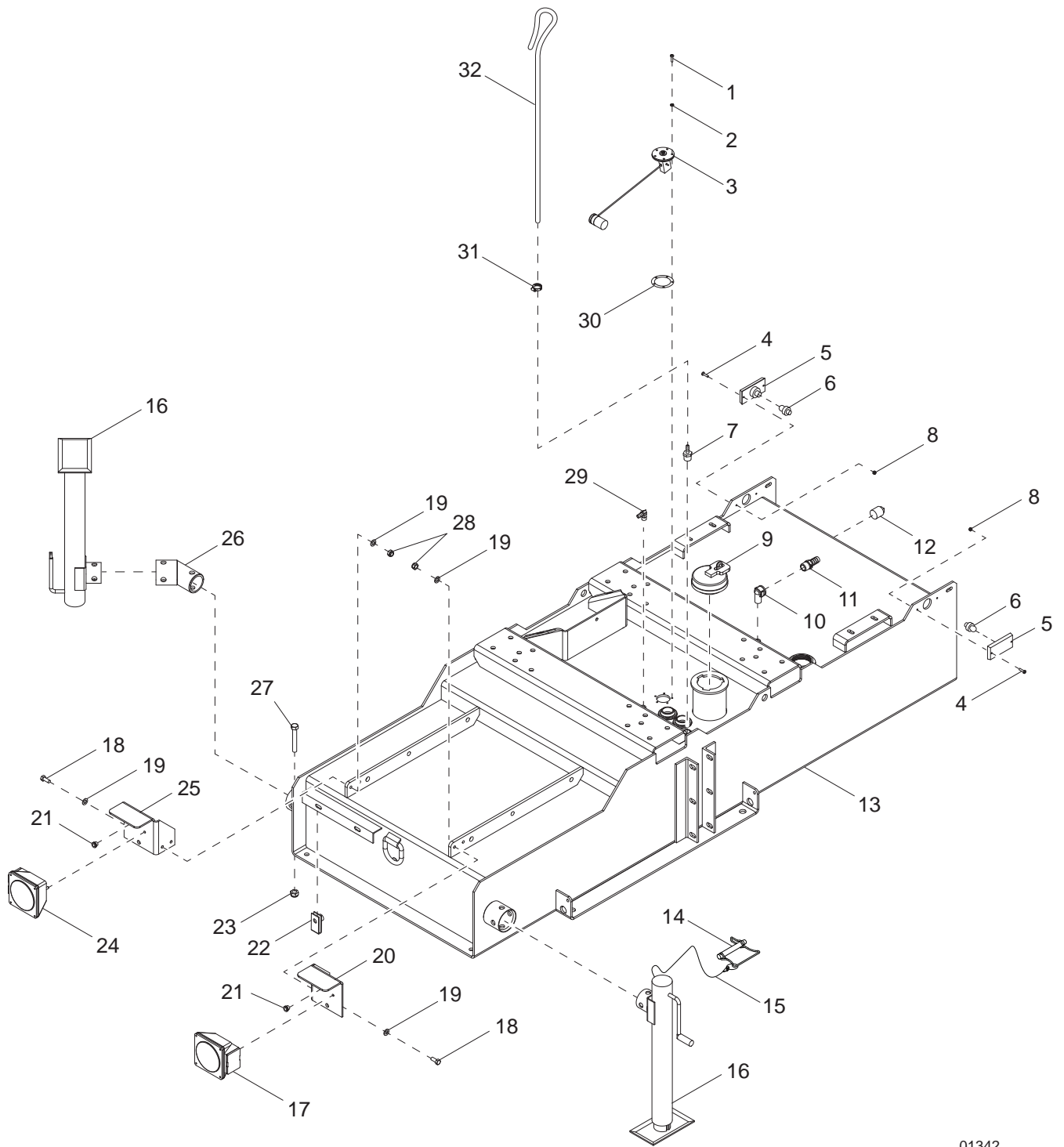
01341

## LIFT SUPPORT ASSEMBLY

---

Item	Part No.	Qty	Description	Notes
1	60309	32	Washer, .500 flat 1.060/.090	
2	50215	12	Screw, .500-13 x 4.0 std hex, G5	
3	60386	4	Washer, .375 flat .993/.064	
4	60205	2	Screw, .375-16 x 1.0 std hex, G5	
5	31605B	1	Shield, heat	
6	60484	4	Screw, .500-13 x 2.0 std hex, G5	
7	41080B	1	Bracket, lift eye	
8	31584B	1	Bracket, lift support	
9	62221	16	Nut, .500-13 nylock, G5	
10	31585B	2	Tube, lift structure	
11	60195	2	Rivet, .188 dia. x .375 to .500 grip	
12	15627	3	Clamp, tubing - .625 heavy duty	
13	60358	2	Nut, .375-16 nylock, G5	

# FUEL TANK ASSEMBLY (1 OF 2)

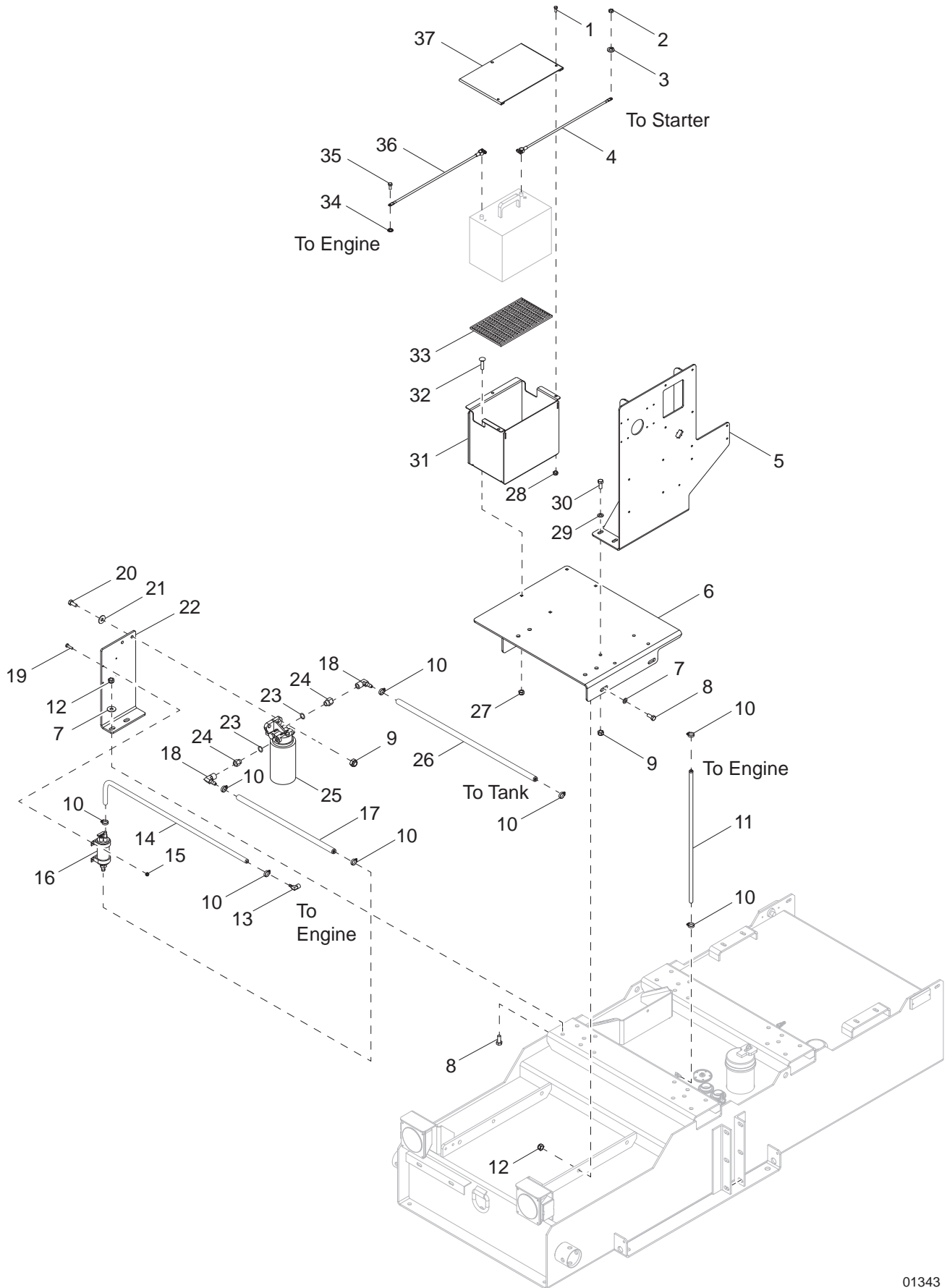


01342

## FUEL TANK ASSEMBLY (1 OF 2)

Item	Part No.	Qty	Description	Notes
1	60156	5	Screw, M5-.80 x 16 pan phil, G4.8	
2	60252	5	Washer, #10 split lock	
3	20571	1	Sender, fuel - 10-15 in. tank	
4	60406	4	Screw, 8-32 x 1.0 pan phil, G2	
5	66373	2	Lens, light, clearance marker - amber	
6	65661	2	Bulb, light - clearance marker	
7	60999	1	Fitting, strt - .500MNPT x .312 barb, brass	
8	60270	4	Nut, 8-32 nylock, class 6	
9	23707	1	Cap, fuel fill - 3.50	
10	23146	1	Fitting, 90° - .250MNPT x .375FNPT brass	
11	21339	1	Fitting, strt - .375NPT x .500 barb	
12	60498	1	Fitting, square plug - .750NPT	
13	41278B	1	Weldment, fuel tank/chassis	
14	23256	1	Pin, jack - 2000 lb, tube-mounted	
15	12647	1	Cable, tether - jack pin and ground rod cover	
16	41133	2	Jack, side wind - 2000 lb, tube-mounted	
17	49626	1	Light, stop/turn/tail - waterproof - LED right	
18	62001	4	Screw, .312-18 x 1.250 std hex, G5	
19	60119	8	Washer, .312 flat .875/.070	
20	41101B	1	Bracket, tail light mounting - right	
21	19163	2	Fitting, bushing - .500 OD x .375 ID	
22	61147	2	Nut, .312-18 U-clip, long type, G5	
23	60240	1	Nut, .625-11 nylock, G5	
24	49627	1	Light, stop/turn/tail - waterproof w/LP - LED left	
25	41102B	1	Bracket, tail light mounting - left	
26	31617B	1	Weldment, jack support	
27	63337	1	Screw, .625-11 x 4.50 hex, G8	
28	60303	4	Nut, .312-18 nylock, G2	
29	20645	1	Fitting, 90° - .250NPT x .375 barb, brass	
30	22323	1	Gasket, sending unit	
31	14216	1	Clamp, hose - SAE 004 (.21x.62) mini	
32	50343	3.16 ft	Hose, fuel - .312 ID x .562 OD, 60 psi	
--	41123	1	Harness, trailer light	
--	60353	1	Screw, .375-16 x 1.0 flg hex, self-tapping, G2	Use with item 41123
--	60698	1	Washer, .375 flat .875/.040, SS	Use with item 41123
--	60053	1	Washer, .375 external star	Use with item 41123
--	67856	1	Harness, trailer extension assembly	
<b>OPTIONAL FEATURES</b>				
<i>Harness - Electric Brake:</i>				
--	65899	1	Harness, electric brake	

# FUEL TANK ASSEMBLY (2 OF 2)

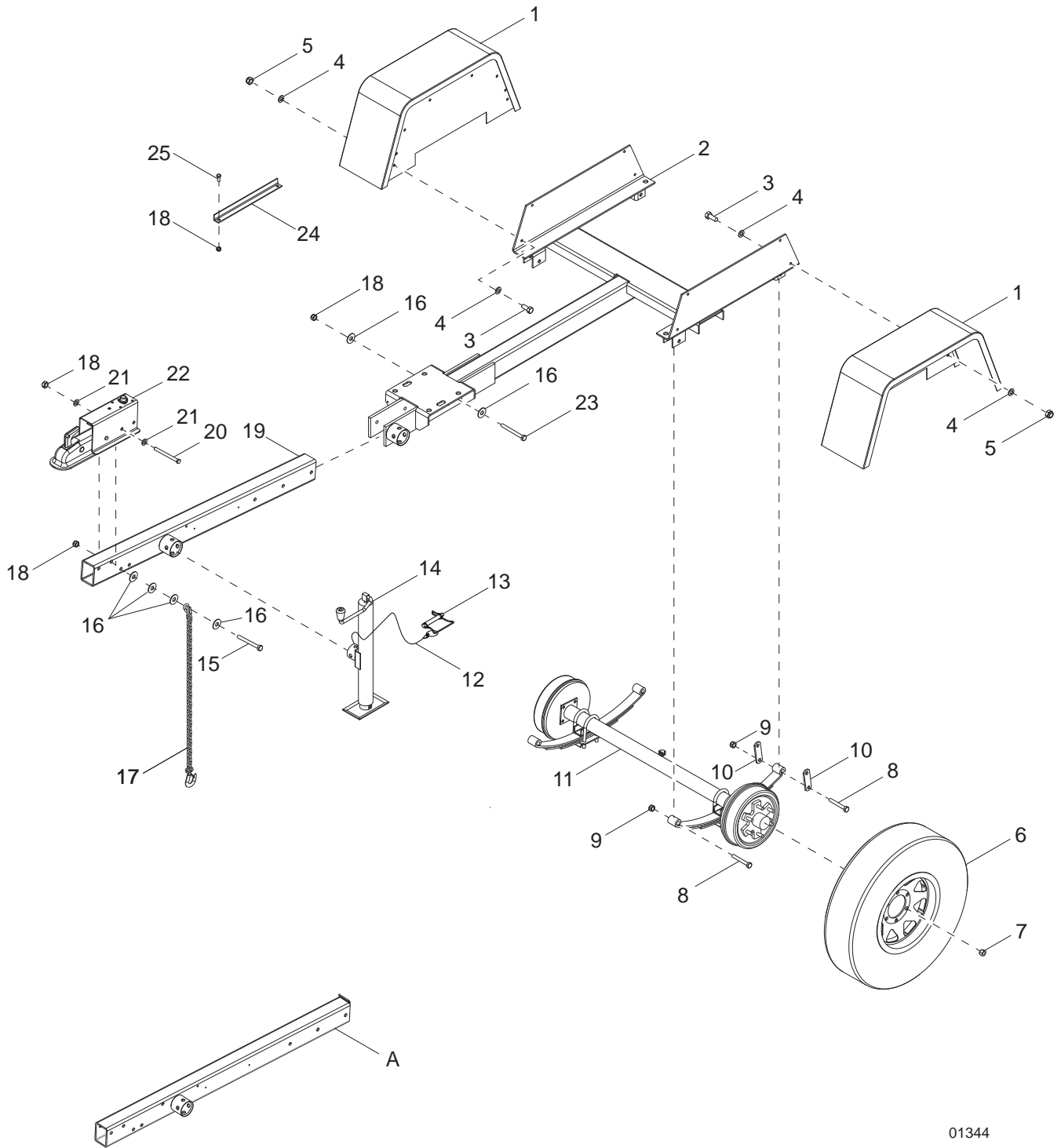


01343

## FUEL TANK ASSEMBLY (2 OF 2)

Item	Part No.	Qty	Description	Notes
1	60393	3	Screw, .250-20 x 1.0 std hex, G5	
2	60032	1	Nut, M8 - 1.25 hex, G8.8	
3	60271	1	Washer, .312 split lock	
4	24777	1	Cable, battery - 54 in. 2GA red w/lead, 3/8 in. lug	
5	31538B	1	Weldment, control box support	
6	31576B	1	Weldment, pump support	
7	60309	6	Washer, .500 flat 1.060/.090	
8	60388	6	Screw, .500-13 x 1.5 std hex, G5	
9	60358	6	Nut, .375-16 nylock, G5	
10	19453	8	Clamp, hose - SAE 006 (.37-.87)	
11	51021	3.2 ft	Hose, fuel - .375 ID, 125 psi	
12	62221	6	Nut, .500-13 nylock, G5	
13	62145	1	Fitting, 90° - .375MNPT x .375 barb, brass	
14	51021	1.5 ft	Hose, fuel - .375 ID, 125 psi	
15	60061	4	Nut, 10-32 nylock	
16	31451	1	Pump, fuel - Deutz TD2.9	Included with engine
17	51022	1.5 ft	Hose, fuel - .500 ID, 125 psi	
18	62108	2	Fitting, 90° - .375MNPT x .500 barb, brass	
19	60397	4	Screw, 10-32 x 1.0 pan phil, G2	
20	60139	2	Screw, .375-16 x 1.50 std hex, G5	
21	60698	2	Washer, .375 flat .875/.040, SS	
22	31614B	1	Bracket, filter	
23	63223	2	Seal, M16	
24	33146	2	Fitting, strt - .375FNPT x M16-1.5 male	
25	31513	1	Filter, fuel - pre-filter	Included with engine
26	51022	3.1 ft	Hose, fuel - .500 ID, 125 psi	
27	60303	4	Nut, .312-18 nylock, G2	
28	60144	3	Nut, .250-20 nylock, G5	
29	60386	4	Washer, .375 flat .993/.064	
30	60352	4	Screw, .375-16 x 1.25 std hex, G5	
31	31560B	1	Box, battery	
32	61066	4	Screw, .312-18 x 1.0 carr sqr, SS	
33	41185	1	Pad, battery - 6.0 x 10.0 in	
34	60369	1	Washer, M12 external star	
35	60019	1	Screw, M12 - 1.75 x 20 sflg hex, G8.8	
36	31625	1	Cable, battery - 46 in. 2GA black post, 1/2 in. lug	
37	31580B	1	Cover, battery box	

# TRAILER ASSEMBLY



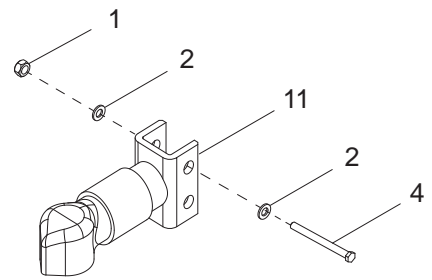
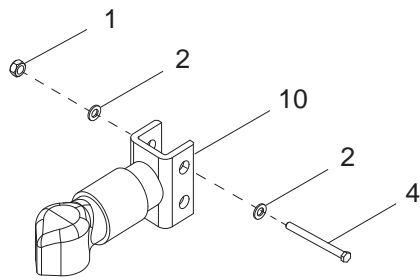
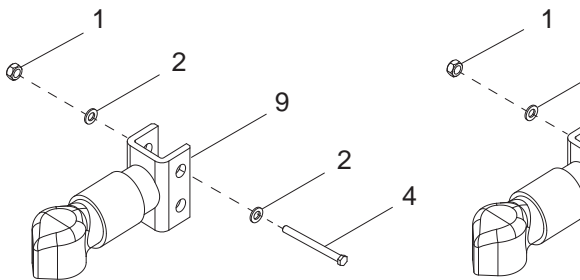
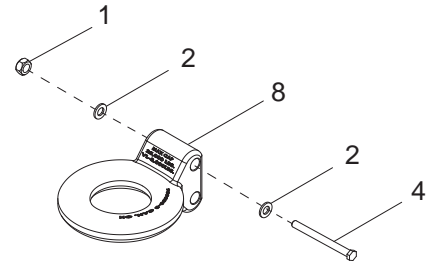
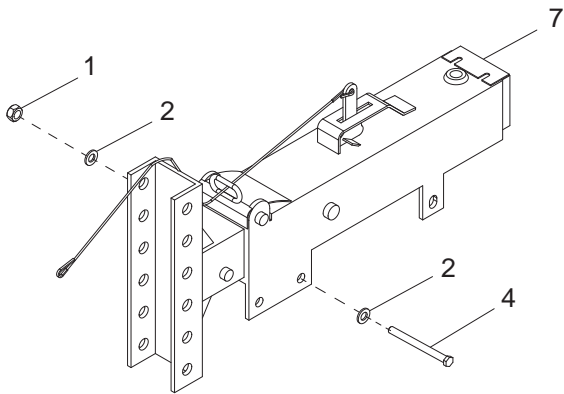
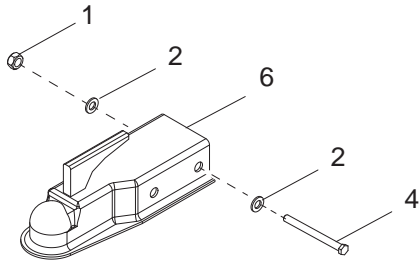
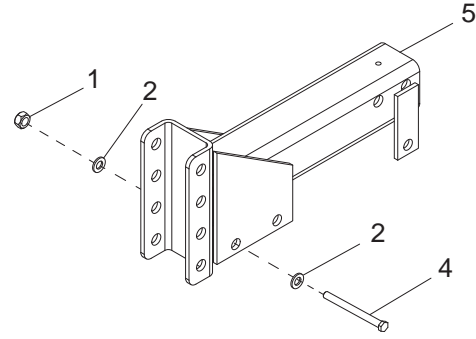
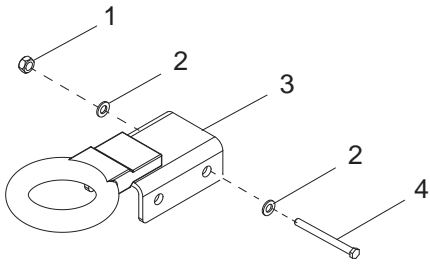
01344



## TRAILER ASSEMBLY

Item	Part No.	Qty	Description	Notes
1	22743B	2	Fender, single wheel	
2	24811B	1	Weldment, trailer chassis - flip tongue	
3	61036	8	Screw, .375-16 x 1.25 std hex, SS	
4	60698	16	Washer, .375 flat .875/.040, SS	
5	60358	8	Nut, .375-16 nylock, G5	
6	18377	2	Wheel, ST225/75R15, 2540 lb	
7	60096	12	Nut, .500-20 lug, G5	
8	60503	6	Screw, shackle .562-18 x 3.0 std hex, G5	
9	60504	6	Nut, .562-18 lock hex, G5	
10	19637	4	Plate, shackle bracket - 3.125	
11	<i>Page 38</i>	1	Assembly, axle	
12	12647	1	Cable, tether - jack pin and ground rod cover	
13	23256	1	Pin, jack - 2000 lb, tube-mounted	
14	13051	1	Assembly, jack, 2000 lb top wind, tube-mounted	
15	60376	2	Screw, .500-13 x 4.50 std hex, G5	
16	60416	14	Washer, .500 flat 1.375/.090	
17	23367	2	Chain, safety - 7800 lb	
18	62221	8	Nut, .500-13 nylock, G5	
19	24812B	1	Weldment, tongue - flip non-adjustable actuator	
20	61099	2	Screw, .500-13 x 5.0 std hex, G8	
21	60309	4	Washer, flat 1.060/.090	
22	24304	1	Actuator, hydraulic surge brake - 2 in. ball, 6000 lb	
--	41762	1	O-ring - 24 mm	
23	61104	3	Screw, .500-13 x 5.50 std hex, G8	
24	24691B	1	Brace, tongue shipping	
25	61103	1	Screw, .500-13 x 1.75 sflg hex	
--	24701	1	Assembly, trailer basic	
<b>OPTIONAL FEATURES</b>				
A	30931B	1	Weldment, tongue w/support plate - electric brake	

# TRAILER HITCH OPTIONS



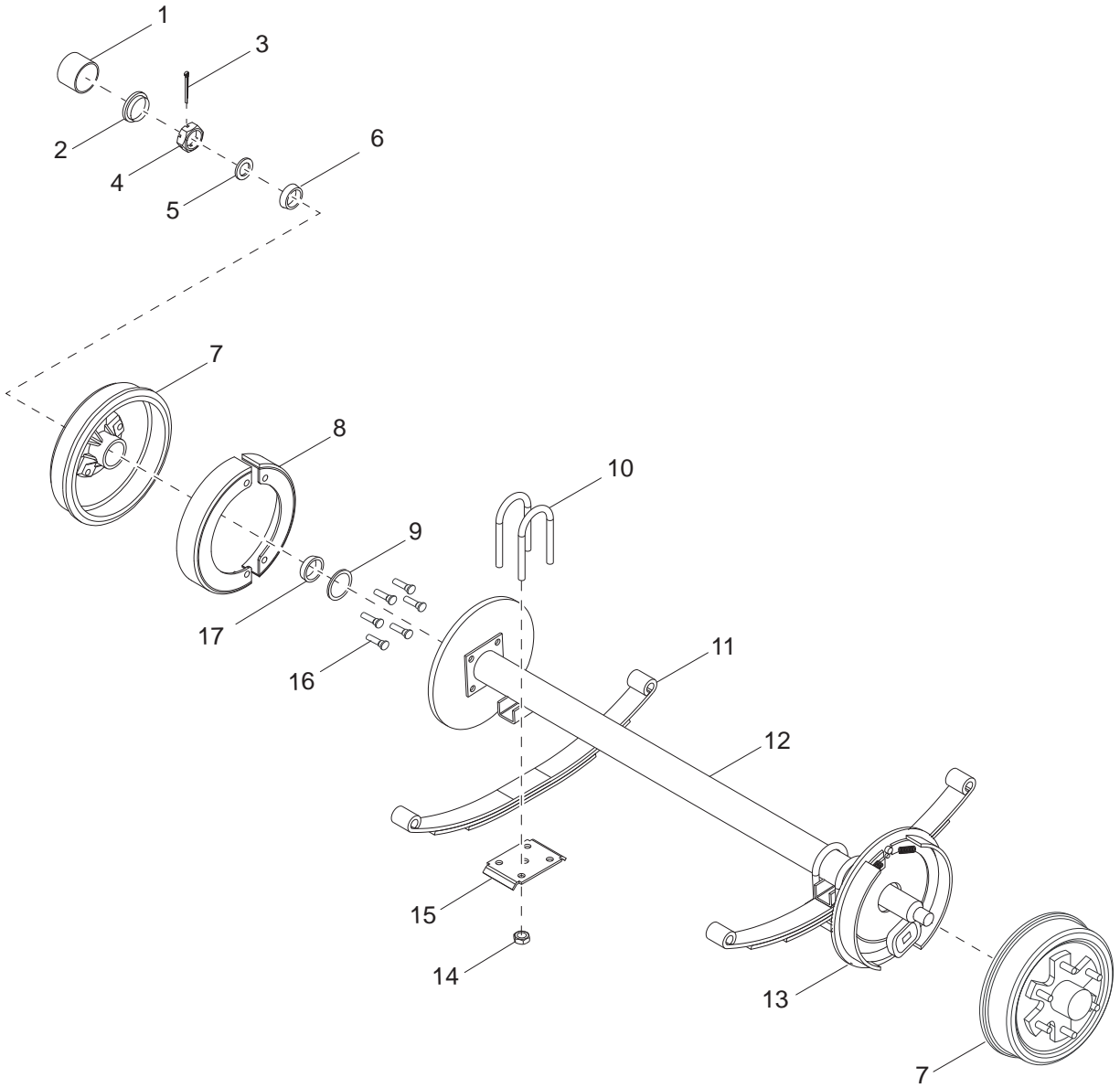
01347

## TRAILER HITCH OPTIONS

---

Item	Part No.	Qty	Description	Notes
1	62221	18	Nut, .500-13 nylock, G5	
2	60309	30	Washer, .500 flat 1.060/.090	
3	11032B	1	Weldment, lunette ring - 3.0 ID	Non-adjustable
4	61099	18	Screw, .500-13 x 5.0 std hex, G8	
5	23162	1	Coupler, 2.0 ball/3.0 channel - 5000 lb	Non-adjustable
6	19379B	1	Weldment, hitch - 4 position, electric brake	Adjustable
7	40529	1	Actuator, hydraulic surge brake - 7500 lb	Adjustable
8	19335B	1	Coupler, lunette ring - 3.0 ID	Requires item 5 or 7
9	19518	1	Coupler, 2.0 ball	Requires item 5 or 7
10	19519	1	Coupler, 2.31 ball	Requires item 5 or 7
11	41795	1	Coupler, 2.31 ball - 12500 lb, Bulldog	Requires item 5 or 7
--	65593	1	Adapter, trailer - 4 pin and 2 pin to 6 pin	Electric Brake
--	65583	1	Adapter, trailer - round 6 pin to round 7 spade	Electric Brake Requires 65593
--	65463	1	Adapter, trailer - flat 4 pin to round 6 pin	Surge Brake
--	65464	1	Adapter, trailer - flat 4 pin to round 7 pin	Surge Brake
--	65465	1	Adapter, trailer - flat 4 pin to round 7 spade	Surge Brake

# AXLE ASSEMBLY



01345

## AXLE ASSEMBLY

---

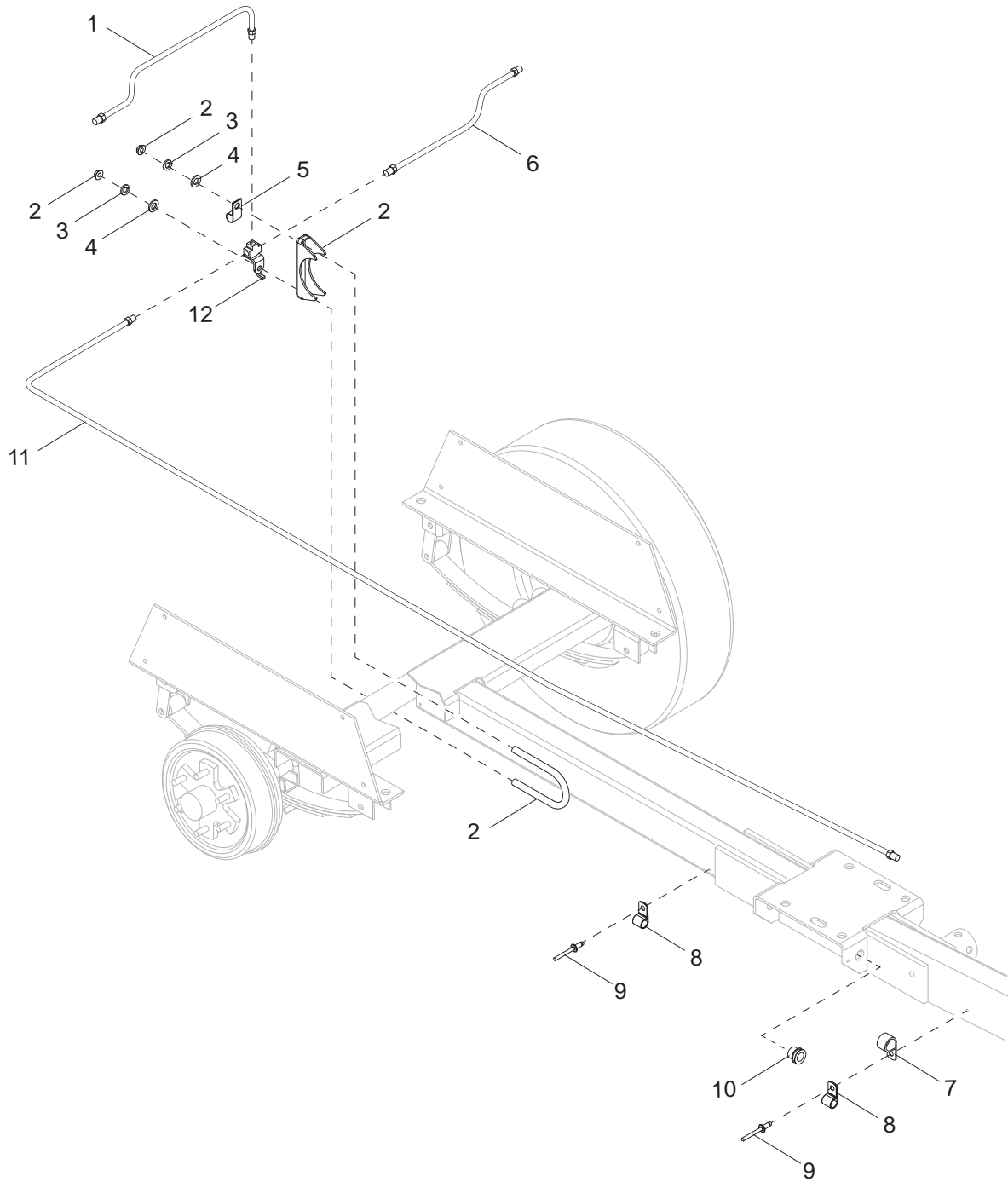
Item	Part No.	Qty	Description	Notes
1	23170	2	Cap, grease - 5000 lb	
2	11254	2	Plug, grease cap - zerk	
3	26583	2	Pin, cotter	
4	12308	2	Nut, spindle	
5	26581	2	Washer, spindle	
6	24831	2	Roller bearing - outer	
7	26452	2	Brake drum - 12 in. 6 on 5.5 in	
8	42338	2	Brake pads	
9	24832	2	Bearing seal, axle	
10	40875	4	U-bolt, axle	
11	23912	2	Spring, 5000 lb axle	
12	22877	1	Axle, 5000 lb hydraulic	
13	26572	1	Assembly, surge brake - right	
	26571	1	Assembly, surge brake - left	
14	26441	8	Nut, U-bolt 1/2-20, plated	
15	40874	2	Tie plate, axle	
16	60963	12	Stud, wheel - .500-20, 5000 lb	
17	24830	2	Roller bearing, inner	
--	24796	1	Assembly, axle, 5000 lb - hydraulic brake	

### OPTIONAL FEATURES

#### *Axle - Electric Brake:*

--	37094	1	Axle, 5000 lb electric	
--	26573	1	Assembly, electric brake - left	
--	26574	1	Assembly, electric brake - right	

# TRAILER BRAKE LINES



01346

## TRAILER BRAKE LINES

---

Item	Part No.	Qty	Description	Notes
1	40495	1	Line, brake .188 x 20.0	
2	61064	1	Clamp, muffler - 3.0 light duty	
3	60341	2	Washer, M8 split lock, SS	
4	60166	2	Washer, M8 flat	
5	61010	1	Clamp, tubing - .375 heavy duty	
6	40494	1	Line, brake .188 x 30.0	
7	16143	4	Clamp, tubing - .500	
8	15626	6	Clamp, tubing - .375 light duty	
9	60231	7	Rivet, .188 dia x .375 to .500 grip	
10	22340	2	Fitting, bushing - 1.0 OD x .750 ID	
11	24688	1	Hose, brake - .188 x 136.0 male/male	
12	19252	1	Fitting, strt - .188 brake line T w/bracket	

## RECOMMENDED SPARE PARTS LIST

---

### ENGINE

Alternator, engine.....	52214
Belt, fan .....	52213
Cap, fuel fill.....	23707
Dipstick, .....	52215
Element, air filter .....	22874
Fan, pusher .....	31410
Filter, fuel .....	52217
Filter, oil .....	52212
Hose, radiator - lower .....	31440
Hose, radiator - upper.....	31439
Pump, fuel .....	31451
Sensor, temp, valve cover .....	52220
Sensor, temp .....	52221
Sensor, low coolant .....	68206
Sensor, oil pressure, valve cover.....	52224
Sensor, oil pressure.....	52223
Starter, engine .....	52219

### PUMP

Belt, compressor.....	31432
Compressor, air .....	49267
Element, compressor air cleaner.....	31631
Gasket, compressor .....	49421
Impeller.....	52114
Mechanical seal .....	52126
Wear Ring.....	52107

### ELECTRICAL

Controller, LOFA 750 .....	31503
E-stop switch .....	65470
E-stop contact NO/NO .....	65584
Glow relay.....	66455

### TRAILER

Chain, safety.....	23367
Light, clearance marker - amber.....	65407
Bulb .....	65661
Jack, side wind (rear) .....	41133
Jack, top wind (tongue) .....	13051
Lens, amber.....	66373
Light, rear tail left .....	49627
Light, rear tail right.....	49626
Nut, lug .....	60096
Wheel, tire .....	18377









