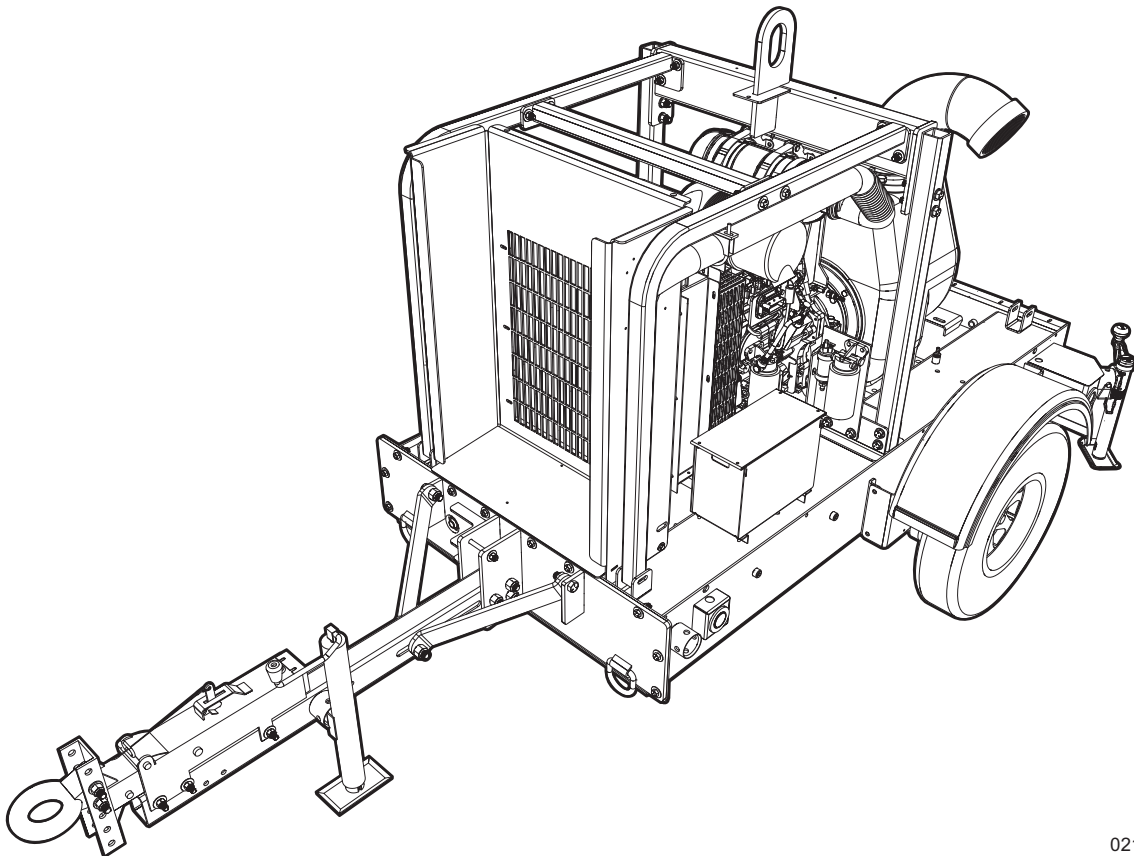


GENERAC[®]

MAGNUM

WET PRIME DIESEL TRASH PUMP MTP6SZ



02165

PARTS MANUAL

⚠ WARNING

California Proposition 65. Engine exhaust and some of its constituents are known to the state of California to cause cancer, birth defects, and other reproductive harm.

(000004)

⚠ WARNING

California Proposition 65. This product contains or emits chemicals known to the state of California to cause cancer, birth defects, and other reproductive harm.

(000005)

⚠ WARNING

Environmental Hazard. Always recycle batteries at an official recycling center in accordance with all local laws and regulations. Failure to do so could result in environmental damage, death or serious injury.

(000228)

Introduction

This parts manual was prepared based on the information available at the time of publication and is subject to change without notice. Generac Mobile Products reserves the right to change parts at any time. To check whether a revised parts manual is available, contact Generac Mobile Products.

DO NOT MODIFY or use this equipment for any application other than which it was designed for. To keep your equipment fully operational, it is suggested you maintain a stock of commonly used maintenance or service parts. A recommended spare parts list can be found in the back of this manual. To order service parts, please go to www.generacmobileproducts.com or call Generac Mobile Products.

▲ WARNING

Before operating or servicing this equipment, read and understand the Generac Mobile Products Operating Manual which was included with the unit when shipped from the factory. Failure to do so increases the risk of injury to yourself or others.

GENERAC MOBILE PRODUCTS LLC

215 Power Drive • Berlin, WI 54923 U.S.A.

Phone: 920-361-4442

FAX: 920-361-4416

Toll Free: 1-800-926-9768

www.generacmobileproducts.com

For technical or parts QUESTIONS, please contact the Generac Mobile Products Technical Service team at 1-800-926-9768.

Engine Make: _____

Engine Serial Number: _____

Engine Model Number: _____

Pump Make: _____

Pump Model Number: _____

Pump Serial Number: _____

Unit Model Number: _____

Unit Serial Number: _____

This Page Intentionally Left Blank

Table of Contents

Introduction	iii
Parts Manual Instructions.....	1
Unit Decals - Left Side.....	2
Unit Decals - Right Side	4
Control Panel Assembly	6
Air Filter Assembly.....	8
Exhaust System Assembly	10
Cooling System Assembly.....	12
Engine and Pump to Skid Assembly	14
Engine Assembly - Left Side	16
Engine Assembly - Right Side	18
External Pump Assembly	20
Internal 6" Pump Assembly	22
Lift Support Assembly.....	24
Fuel Tank / Trailer Assembly (3 of 3)	26
Fuel Tank / Trailer Assembly (2 of 3)	28
Fuel Tank / Trailer Assembly (1 of 3)	30
Trailer Hitch Options	32
Axle Assembly	34
Trailer Brake Lines	36
Recommended Spare Parts List.....	38

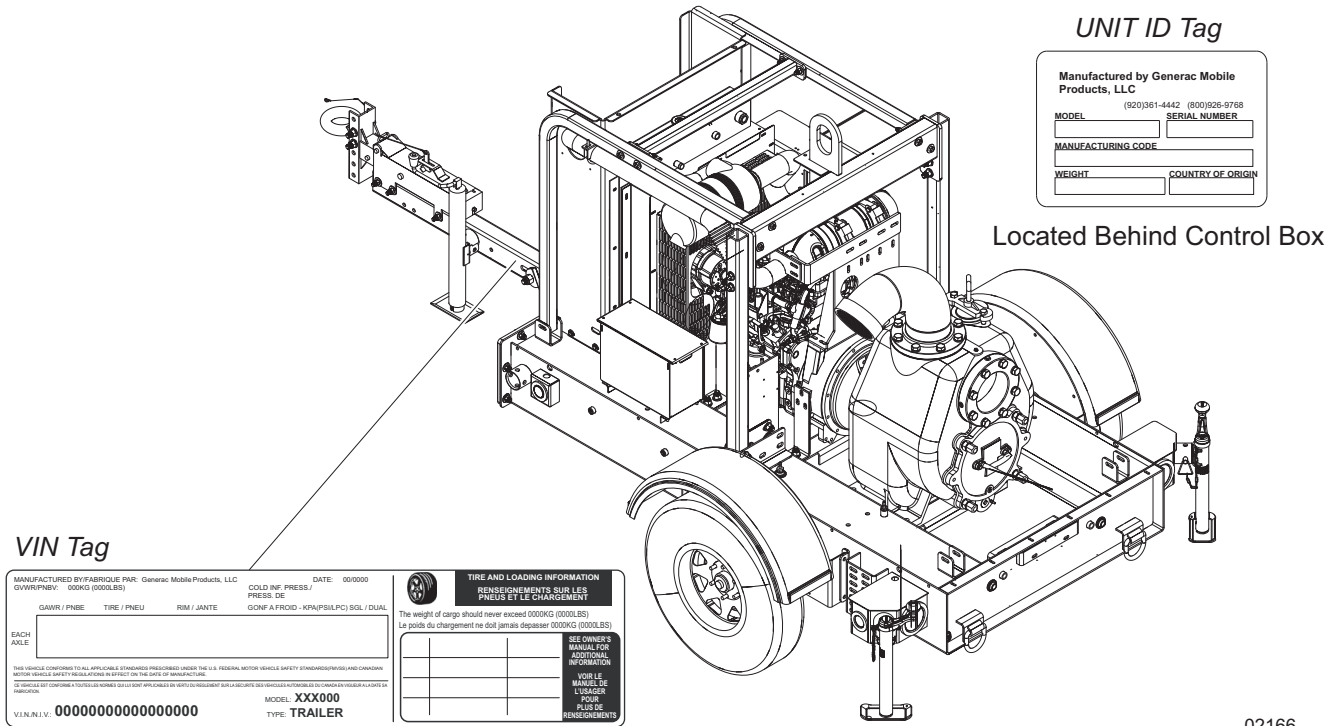
This Page Intentionally Left Blank

Parts Manual Instructions

Product illustrations are only representations. Products supplied may vary from the illustrations in this parts manual. Parts not shown in the illustration are indicated by a double dash (--) in the item column.

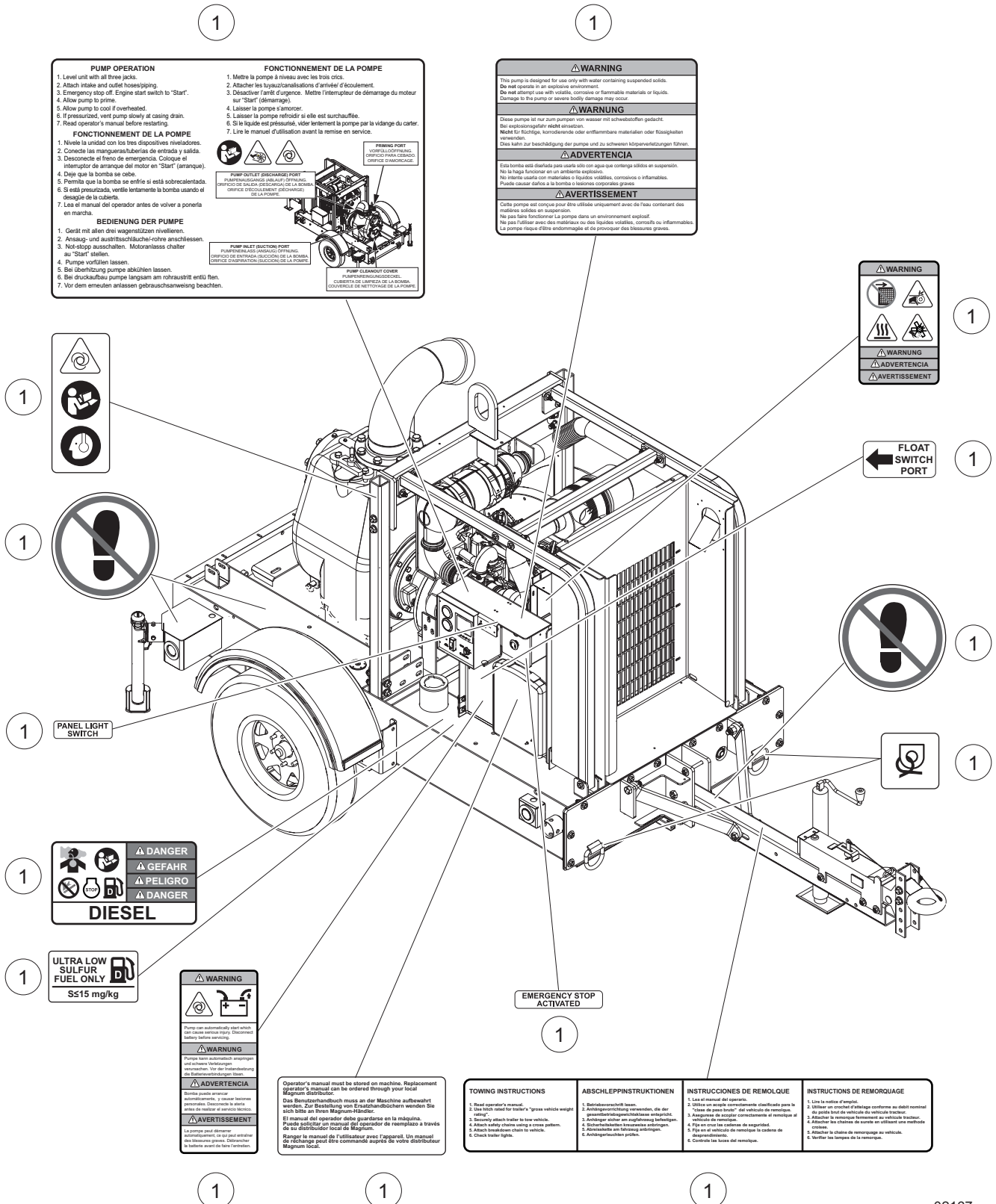
Please be prepared to provide the following information when ordering replacement parts: model number, serial number (on unit serial tag), part number, purchase order number (if applicable), shipping address, shipping method.

Refer to the illustration below to locate the unit ID tag and Vehicle Identification Number (VIN) tag on the unit. Important information, such as the unit serial number, model number, VIN and tire loading information are found on these tags. Record the information from these tags so it is available if the tags are lost or damaged. When ordering parts or requesting assistance, you may be asked to provide this information.



02166

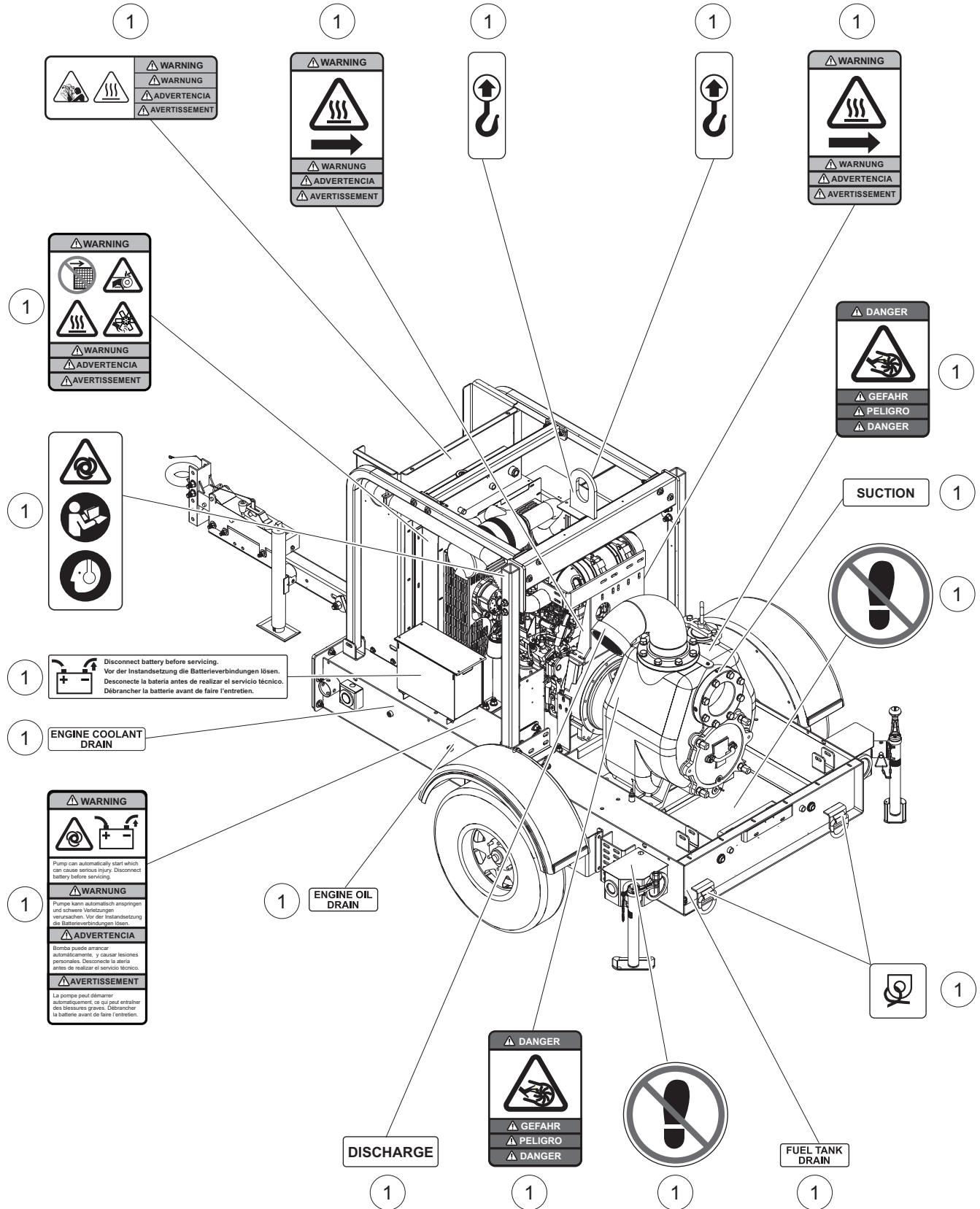
UNIT DECALS - LEFT SIDE



UNIT DECALS - LEFT SIDE

Item	Part No.	Qty	Description	Notes
1	54345	1	Decal, safety/op 4-6 wet open	

UNIT DECALS - RIGHT SIDE

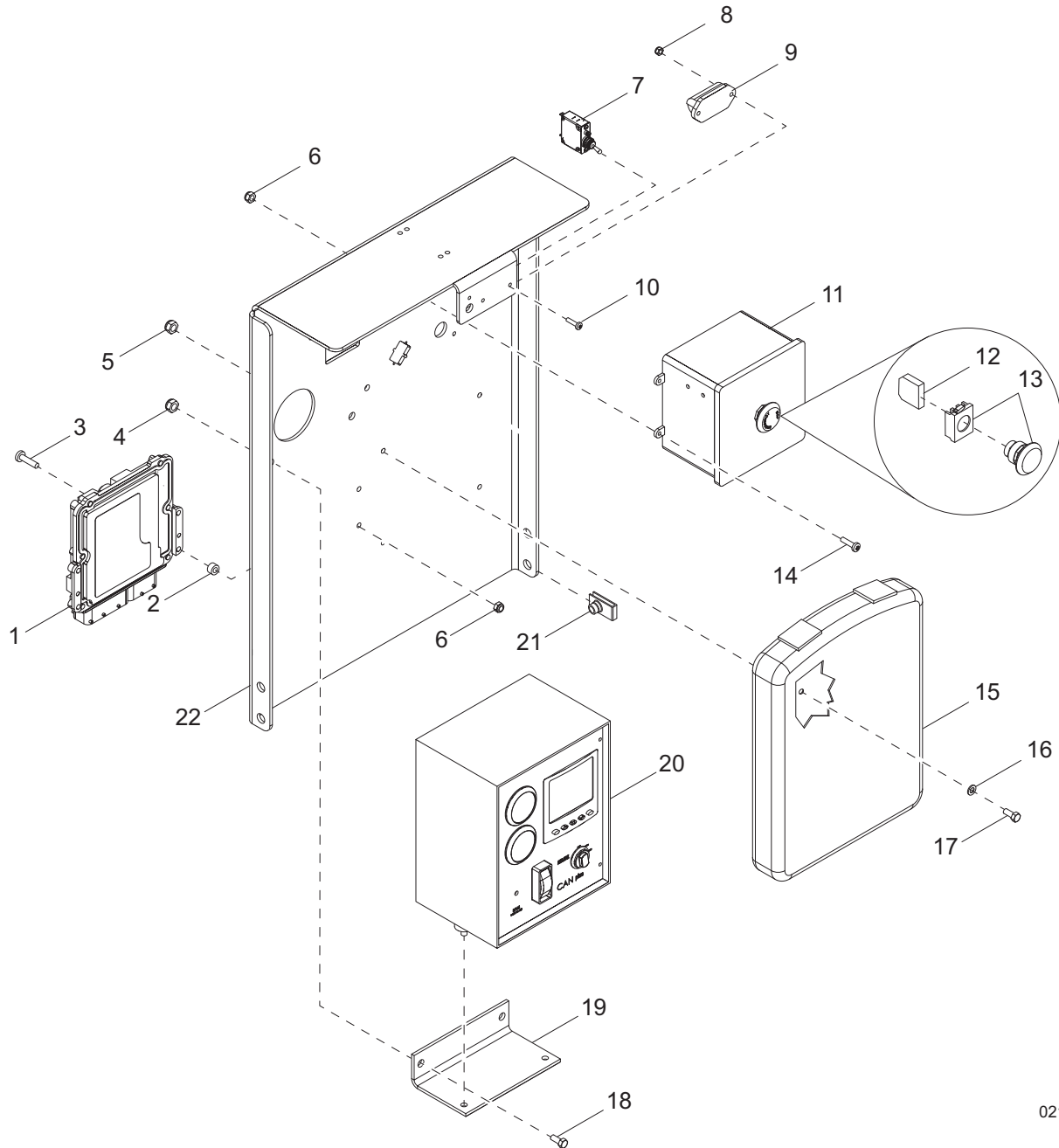


02168

UNIT DECALS - RIGHT SIDE

Item	Part No.	Qty	Description	Notes
1	54345	1	Decal, safety/op 4-6 wet open	

CONTROL PANEL ASSEMBLY



02153

CONTROL PANEL ASSEMBLY

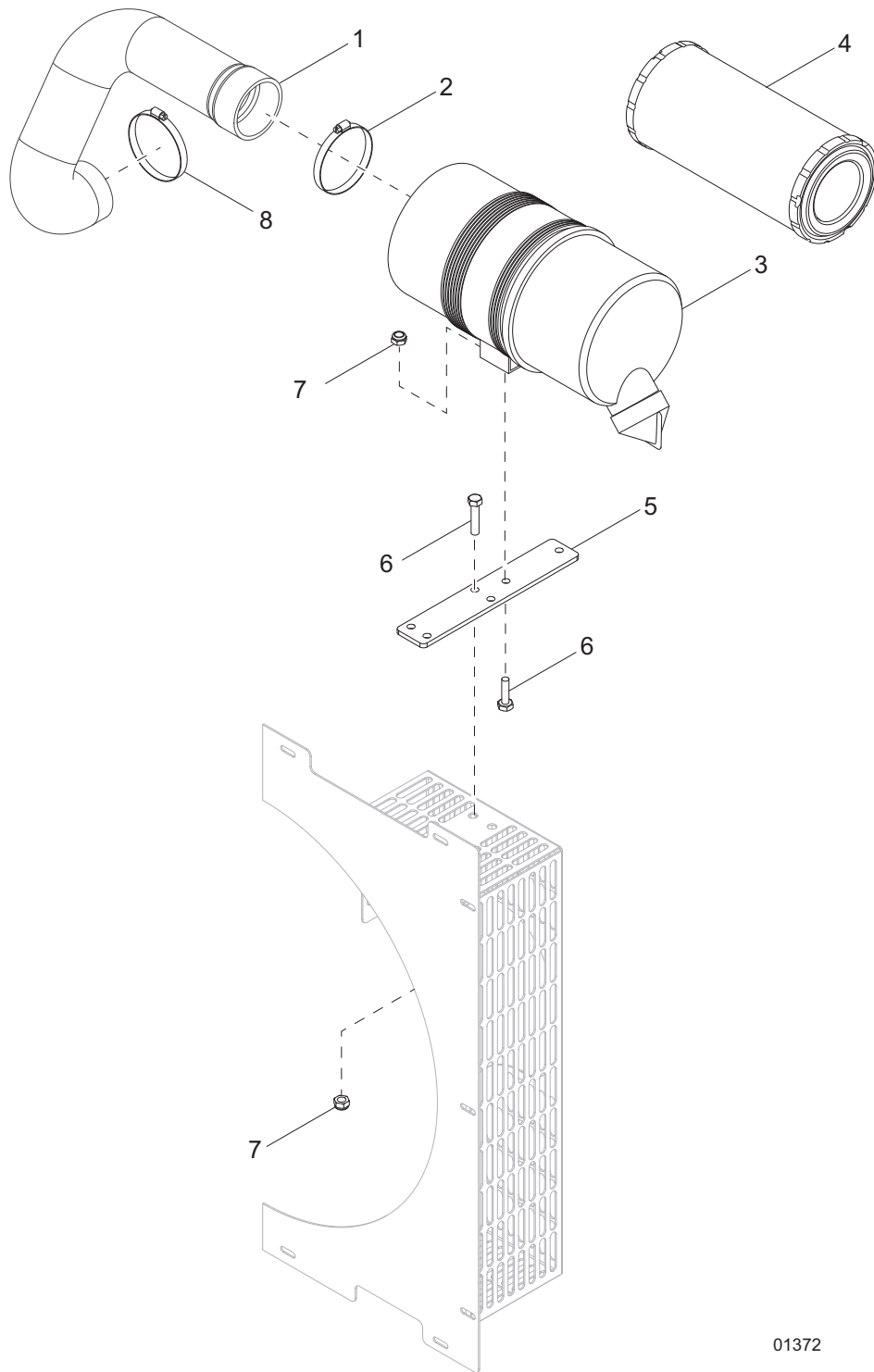
Item	Part No.	Qty	Description	Notes
1	31509	1	ECU, Duetz 2.9	w/hardware
2	66257	4	Spacer, .20ID, .375OD, .25 thick	
3	60397	4	Screw, 10-32 x 1.0 pan phil, G2	
4	60358	2	Nut, .375-16 nylock, G5	
5	60144	4	Nut, .250-20 nylock, G5	
6	60061	4	Nut, 10-32 nylock	
7	36880	1	Switch, light	
8	60270	2	Nut, 8-32 nylock, G6	
9	36879	1	Light, license plate	
10	60244	2	Screw, 8-32 x .750 pan phil, G2	
11	54019	1	Assembly, E-stop box	
12	65584	1	Block, E-stop contactor NO/NO	
13	65470	1	Switch, E-stop operator	
14	60062	4	Screw, 10-32 x .750 pan phil, G2	
15	24540	1	Holder, manual	
16	60243	4	Washer, .250 flat, .735/.060	
17	60281	4	Screw, .250-20 x .750 hex, G5	
18	60352	2	Screw, .375-16 x 1.25 hex	
19	53693B	1	Bracket, controller mounting	
20	54307	1	Assembly, control box w/controller - Lofa750	w/hardware
21	60727	4	Nut, .375-16 U-clip, short type	
22	31732B	1	Bracket, control box	
--	68304	1	Harness, main	
--	49986	1	Harness, float switch extension	

OPTIONAL FEATURES

Float Switch - Lofa 750:

--	41581	2	Assembly, float switch	
--	49607	1	Adapter, harness - float switch	

AIR FILTER ASSEMBLY

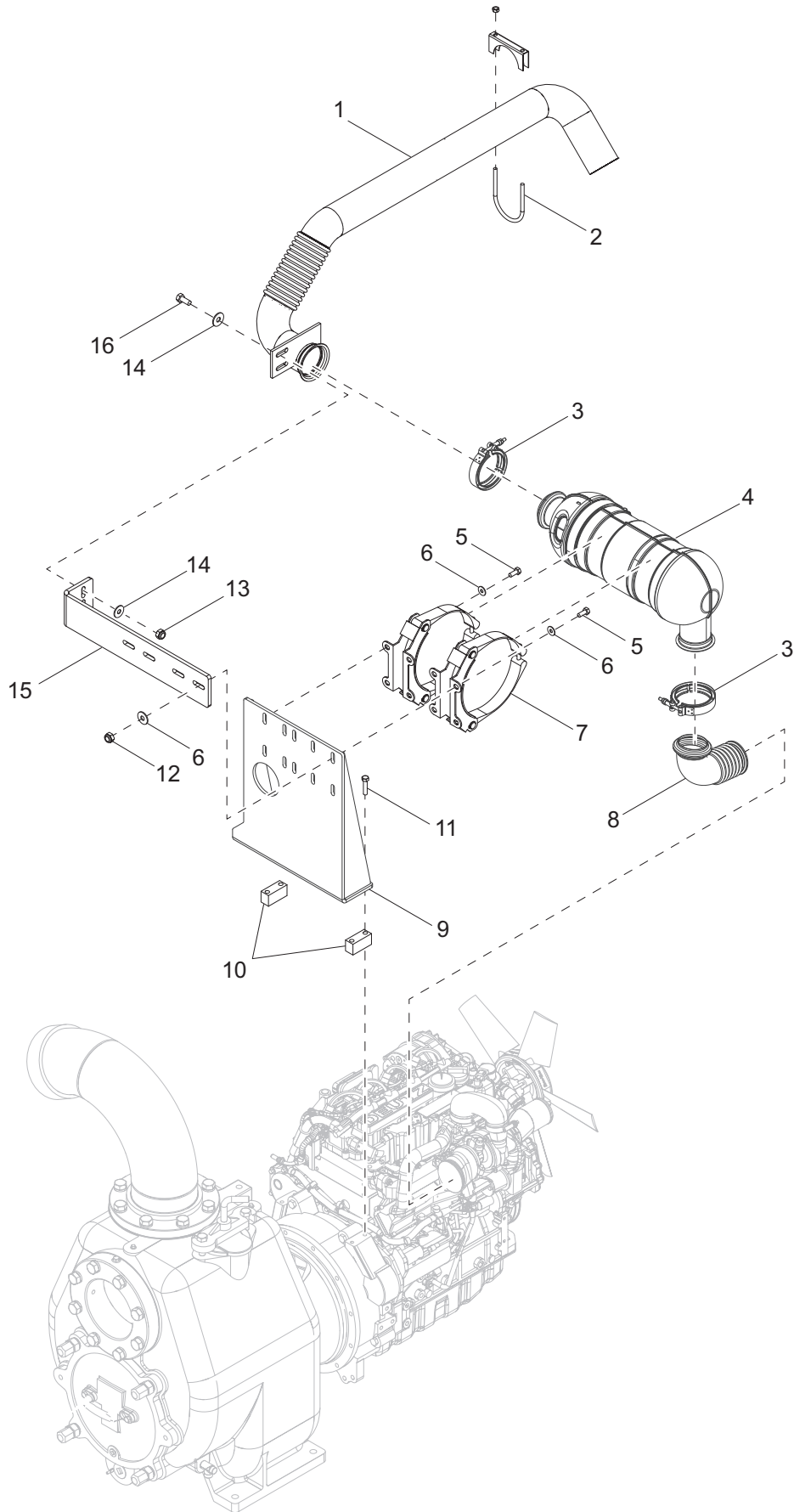


01372

AIR FILTER ASSEMBLY

Item	Part No.	Qty	Description	Notes
1	31461	1	Hose, air filter	
2	19336	1	Clamp, hose - SAE 044 (2.31-3.25)	
3	22967	1	Filter, air	
4	22874	1	Element, air filter	
5	31462B	1	Bracket, air filter	
6	60028	6	Screw, .312-18 x 1.0 std hex, G5	
7	60303	6	Nut, .312-18 nylock, G5	
8	18663	1	Clamp, hose - SAE 060 (3.31-4.25)	

EXHAUST SYSTEM ASSEMBLY

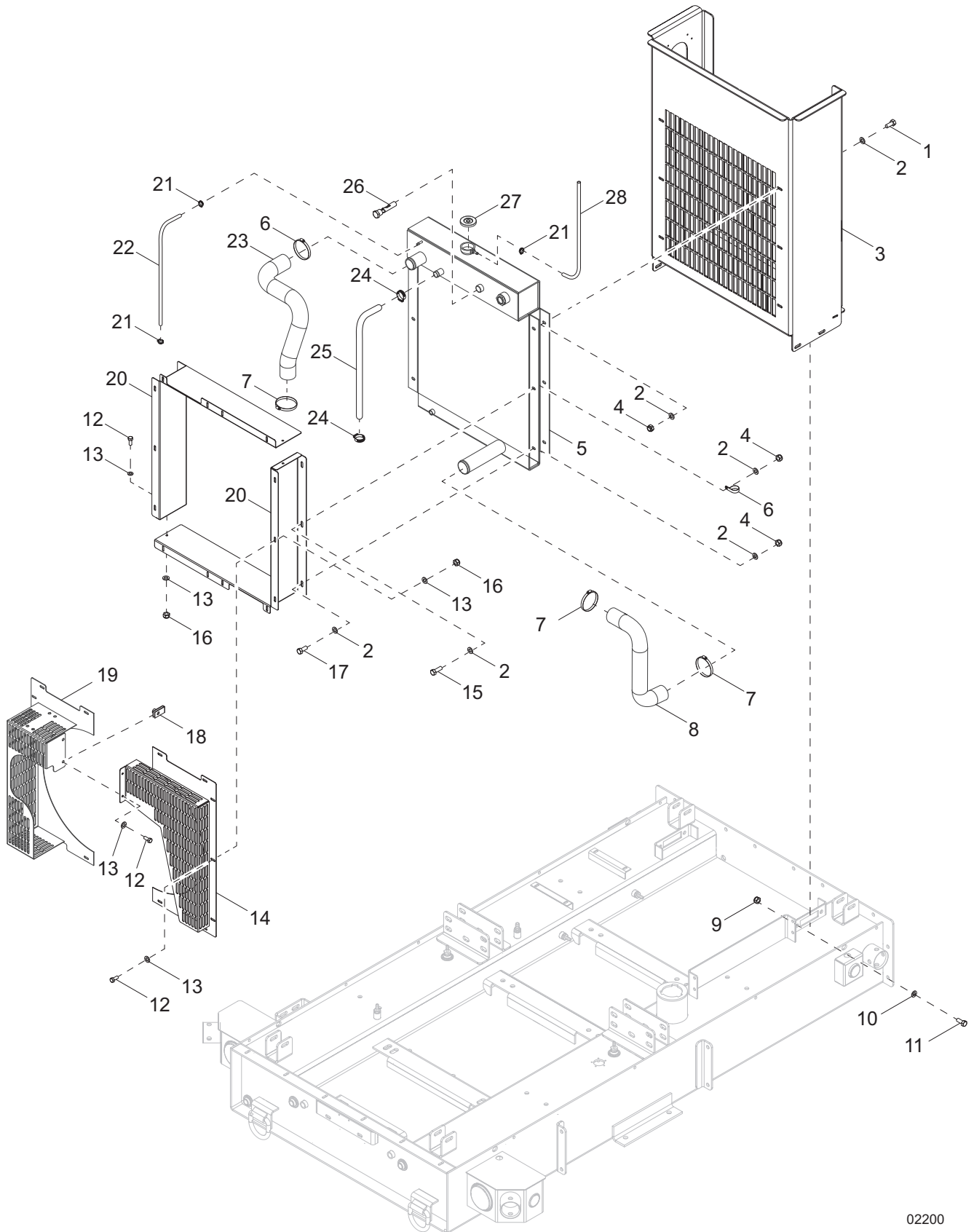


02169

EXHAUST SYSTEM ASSEMBLY

Item	Part No.	Qty	Description	Notes
1	53042	1	Weldment, exhaust pipe	
2	61064	1	Clamp, muffler 3.0 light duty	
3	63248	2	Clamp, V-band - 3.88 ID/.40 SC width	
4	31449	1	DOC, Deutz TD2.9	
5	60256	8	Screw, .312-18 x 1.50 std hex, fully threaded, G5	
6	60119	16	Washer, .312 flat .875/.070	
7	31450	2	Clamp, DOC	
8	31595	1	Weldment, DOC pipe	
9	31547B	1	Weldment, DOC support	
10	31539B	2	Spacer	
11	60152	4	Screw, M10-1.50 x 60 std hex, G8.8	
12	60303	8	Nut, .312-18 nylock, G2	
13	60358	2	Nut, .375-16 nylock, G5	
14	60386	4	Washer, .375 flat .993/.064	
15	31626B	1	Bracket, tail pipe support	
16	60352	2	Screw, .375-16 x 1.250 std hex, G5	
--	26480	1	Sleeve, high temp - 4.0	
--	19336	2	Clamp, hose - SAE44 (2.31-3.25)	

COOLING SYSTEM ASSEMBLY

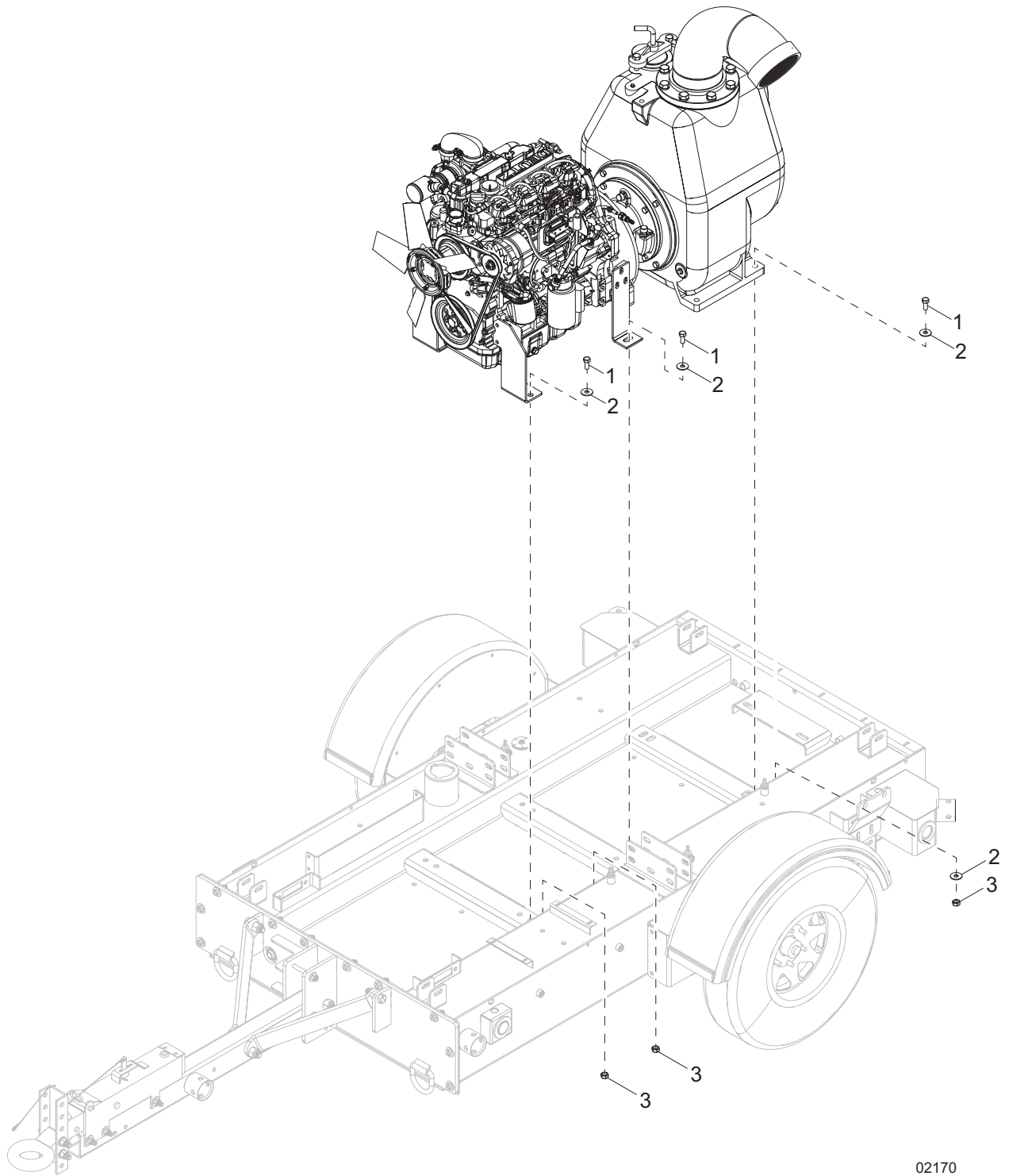


02200

COOLING SYSTEM ASSEMBLY

Item	Part No.	Qty	Description	Notes
1	62001	6	Screw, .312-18 x 1.250 std hex, G5	
2	60119	24	Washer, .312 flat .875/.070	
3	31675B	1	Bracket, radiator support	
4	60303	12	Nut, .312-18 nylock, G2	
5	38321	1	Radiator, w/expansion tank	
6	15627	1	Clamp, tubing - .625 heavy duty	
7	60316	4	Clamp, hose - SAE 032 (1.56-2.50)	
8	31440	1	Hose, radiator - lower	
9	60358	4	Nut, .375-16 nylock, G5	
10	60386	4	Washer, .375 flat .993/.064	
11	60352	8	Screw, .375-16 x 1.250 std hex, G5	
12	60281	18	Screw, .250-20 x .750 std hex, G5	
13	60243	34	Washer, .250 flat .735/.060	
14	31582B	1	Weldment, fan guard - right	
15	60028	1	Screw, .312-18 x 1.00 std hex, G5	
16	60144	16	Nut, .250-20 nylock, G5	
17	61061	5	Screw, .312-18 x .875 std hex, G5	
18	61143	2	Nut, .250-20 U-clip - short type	
19	31581B	1	Weldment, fan guard - left	
20	31561B	2	Shroud, fan	
21	14216	3	Clamp, hose - SAE 004 (.21-.62) mini	
22	50017	1 ft	Hose, fuel - .250 ID, 50 psi, SAE 30R7	
23	31439	1	Hose, radiator - upper	
24	19338	2	Clamp, hose - SAE 016 (.68-1.50)	
25	51019	2 ft	Hose, heater .875 J20R3	
26	68206	1	Sensor, low coolant, wet sinking	
27	39850	1	Cap, radiator	
28	50018	3 ft	Hose, fuel - .312 ID, 50 psi, SAE 30R7	

ENGINE AND PUMP TO SKID ASSEMBLY

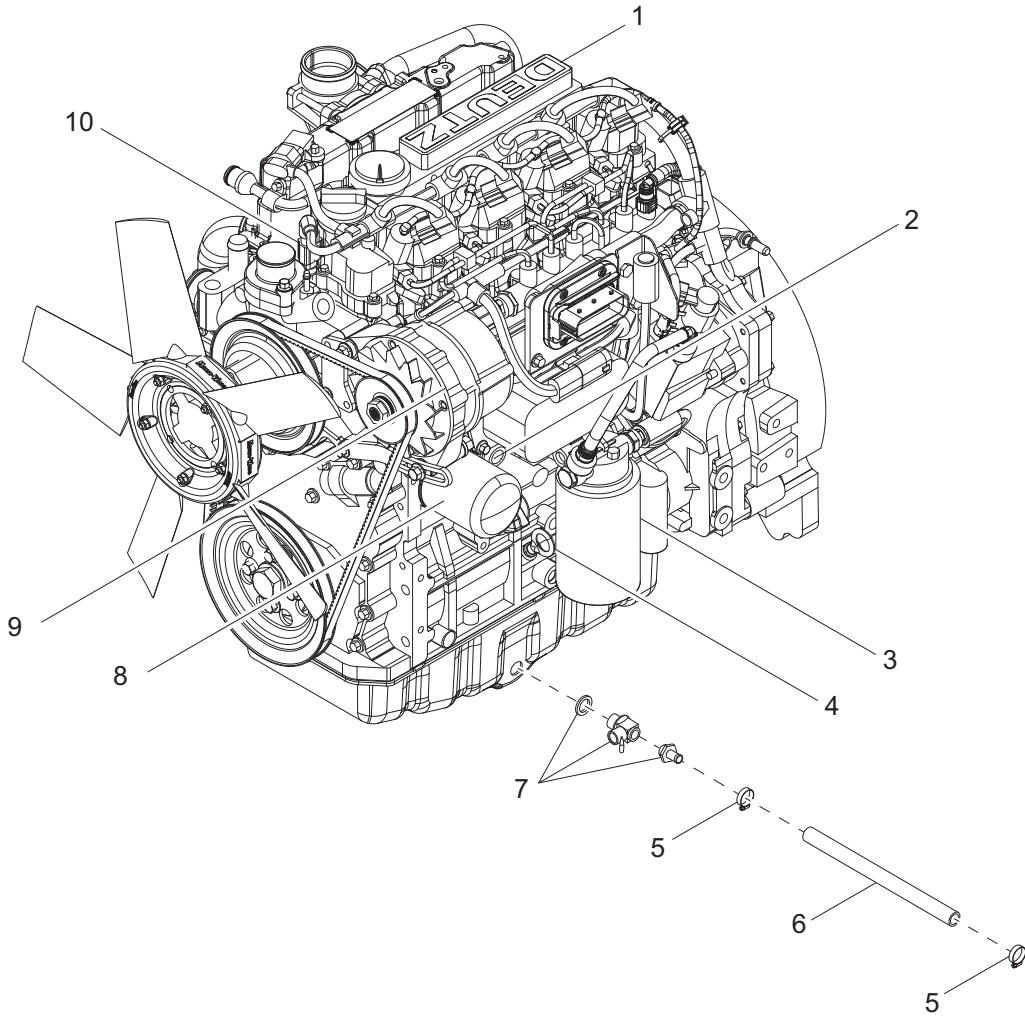


02170

ENGINE AND PUMP TO SKID ASSEMBLY

Item	Part No.	Qty	Description	Notes
1	61069	6	Screw, .500-13 x 1.50 std hex, G5	
2	63265	8	Washer, .500 flat 1.060/.090	
3	60240	6	Nut, .625-11 nylock, G5	

ENGINE ASSEMBLY - LEFT SIDE



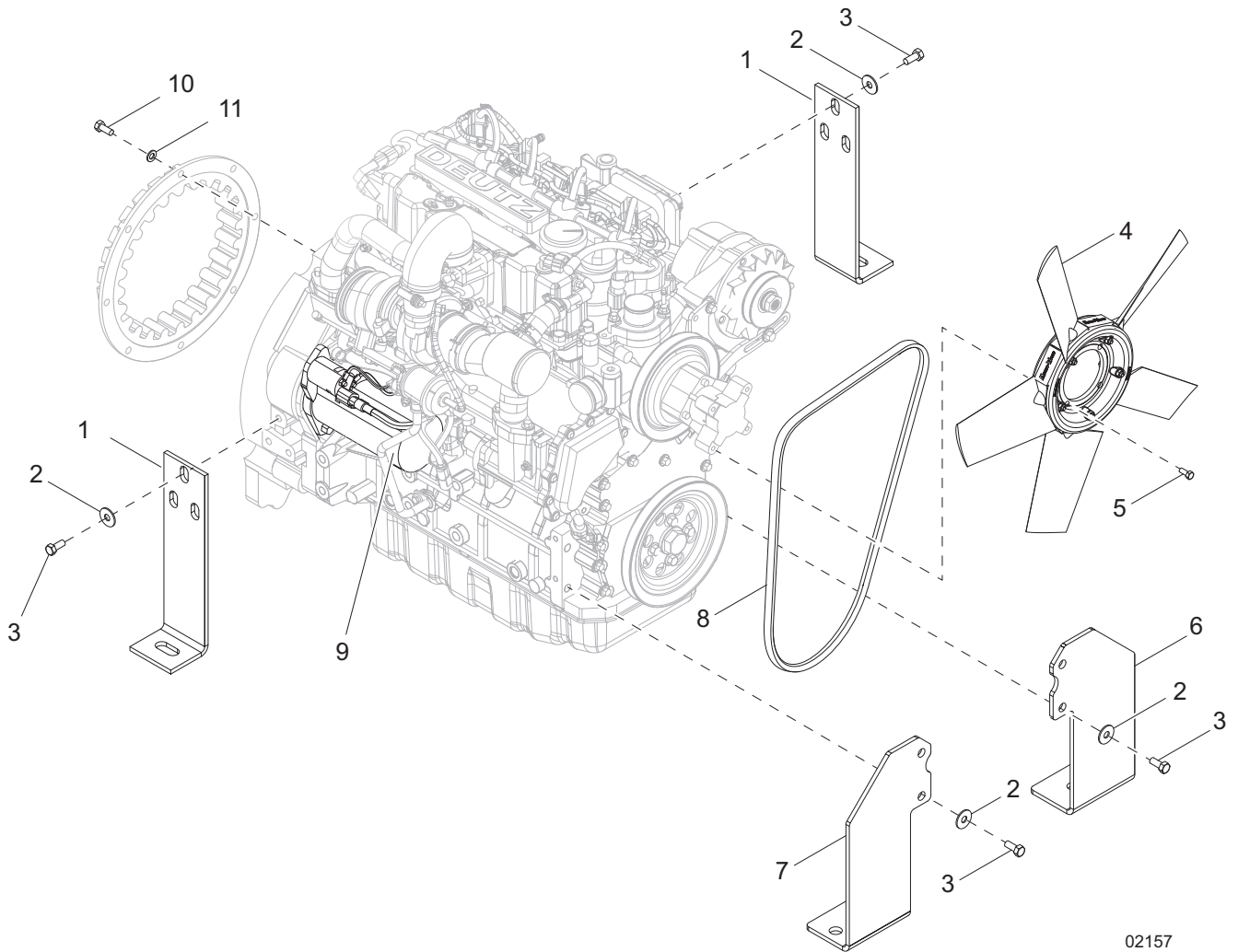
02197

ENGINE ASSEMBLY - LEFT SIDE

Item	Part No.	Qty	Description	Notes
1	31381	1	Engine, Deutz TD2.9 - T4F 66hp, variable speed	
2	52223	1	Sensor, oil pressure	
3	52217	1	Filter, fuel	
4	52215	1	Dipstick, oil	
5	14216	2	Clamp, hose - SAE 004 (.21-.62) mini	
6	50051	2 ft	Hose, fuel - .375 ID, 50 psi, SAE 30R7	
7	60766	1	Valve, drain 18mm-1.5 w/nipple	
8	52212	1	Filter, oil	
9	52214	1	Alternator	
10	52221	1	Sensor, temperature	

Note: Engine and pump parts used in all Generac Mobile Products equipment carry the Original Equipment Manufacturer (OEM) warranty unless otherwise stated. OEM warranty parts must be purchased through an OEM dealer. Please contact Generac Mobile Products with questions

ENGINE ASSEMBLY - RIGHT SIDE



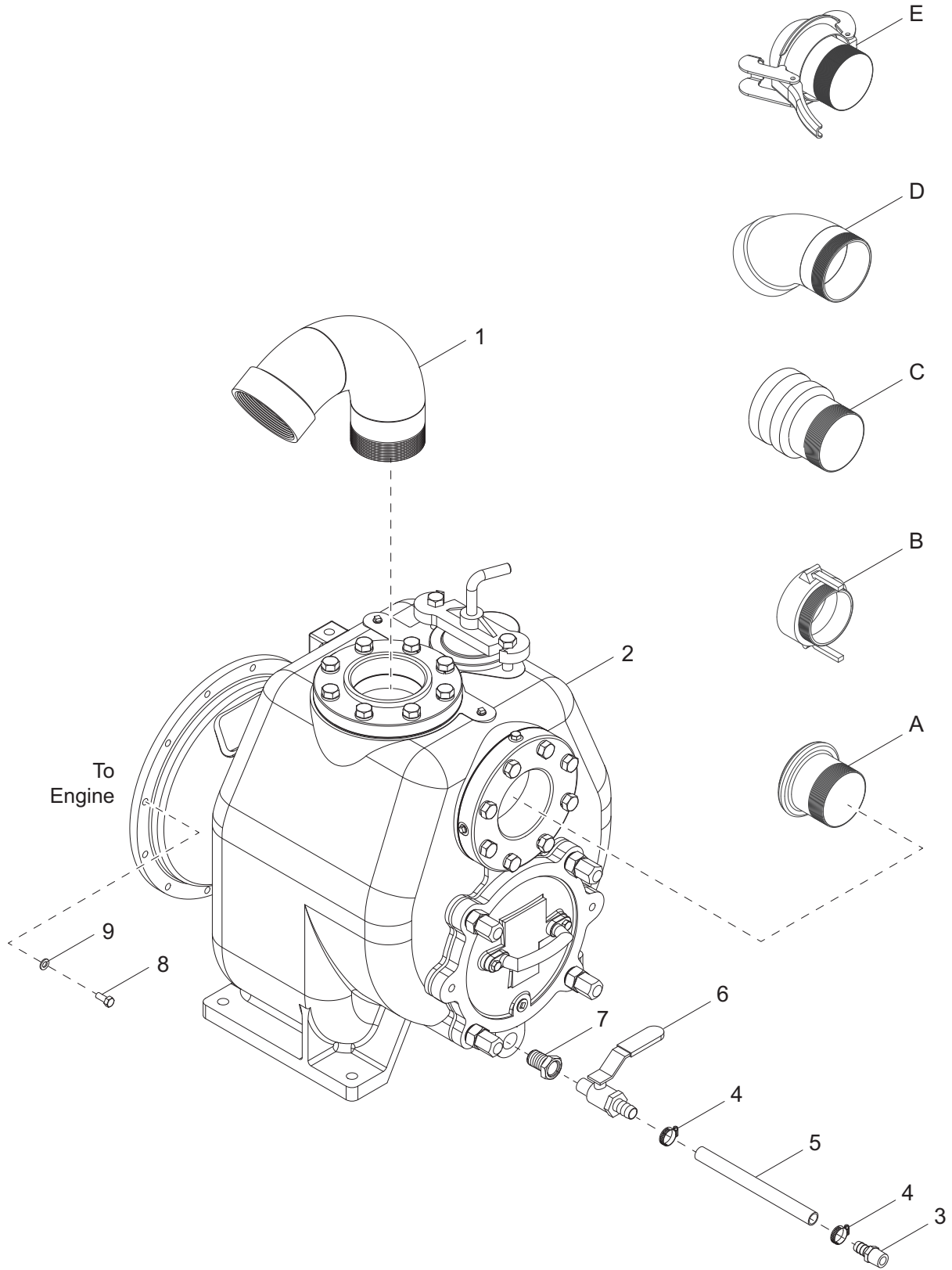
02157

ENGINE ASSEMBLY - RIGHT SIDE

Item	Part No.	Qty	Description	Notes
1	31674B	2	Bracket, engine mount - bell housing	
2	60012	10	Washer, M12 flat	
3	62277	10	Screw, M12-1.75 x 25 std hex, G10.9	
4	31410	1	Fan, pusher - 20.0 CW	
5	61204	4	Screw, M8-1.25 x 20 std hex, G10.9	
6	31667B	1	Weldment, engine mount, left	
7	31668B	1	Weldment, engine mount, right	
8	52213	1	Belt, fan	
9	52219	1	Starter	
10	63338	8	Screw, M10 - 1.50 x 20 hex, G10.9	
11	60027	8	Washer, M10 flat	

Note: Engine and pump parts used in all Generac Mobile Products, LLC equipment carry the Original Equipment Manufacturer (OEM) warranty unless otherwise stated. OEM warranty parts must be purchased through an OEM dealer. Please contact Generac Mobile Products, LLC with questions

EXTERNAL PUMP ASSEMBLY



02174

EXTERNAL PUMP ASSEMBLY

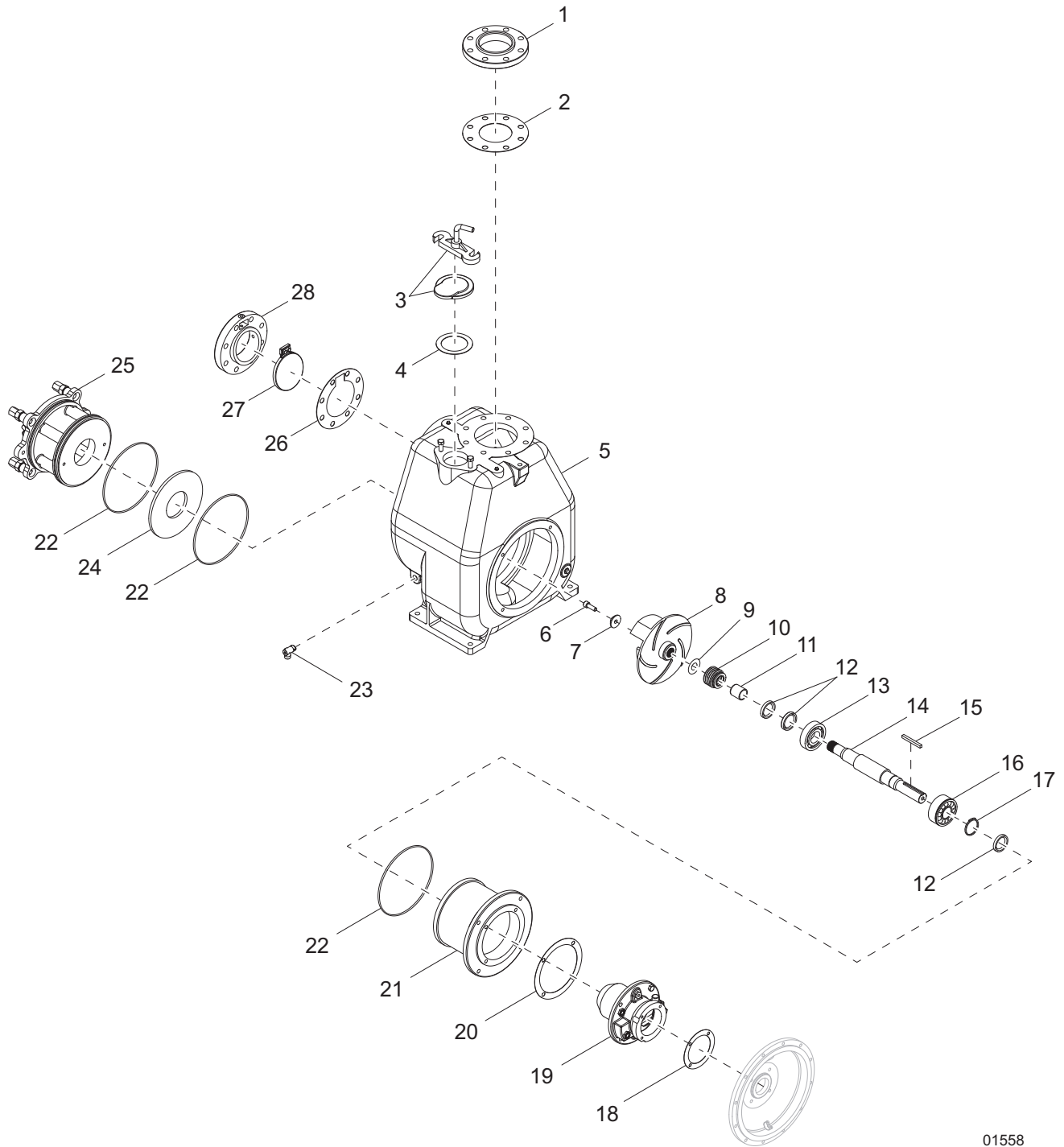
Item	Part No.	Qty	Description	Notes
1	41317B	1	Weldment, pump outlet tube - 6.0, 120°	
2	31393B	1	Pump, trash - 6.0 wet - Cornell	
3	60437	1	Fitting, strt .500NPT x .750NPT	
4	60365	2	Clamp, hose - SAE 010 (.56-1.06)	
5	42634	2.05 ft	Hose, .75 ID - rubber	
6	41985	1	Valve, ball .750MnPT x .750NPT barb	
7	21128	1	Fitting, strt 1.250 x .750NPT	
8	60055	12	Screw, M10 - 1.50 x 35 std hex, G10.9	
9	60027	12	Washer, M10 flat	

OPTIONAL FEATURES

Inlet and Outlet Fittings:

A	41327	2	Socket, 6.0 x 6.0MNTP, galv
B	41329	1	Coupler, cam and groove - 6.0FNPT x 6.0MNPT
C	41587	1	Coupler, cam and groove - 6.0 male x 6.0NPT, male
D	41556B	1	Weldment, pump fitting - 6.0NPT, male/female 45°
E	41325	1	Ring, ball and lock, 6.0 x 6.0MNTP, galv

INTERNAL 6" PUMP ASSEMBLY

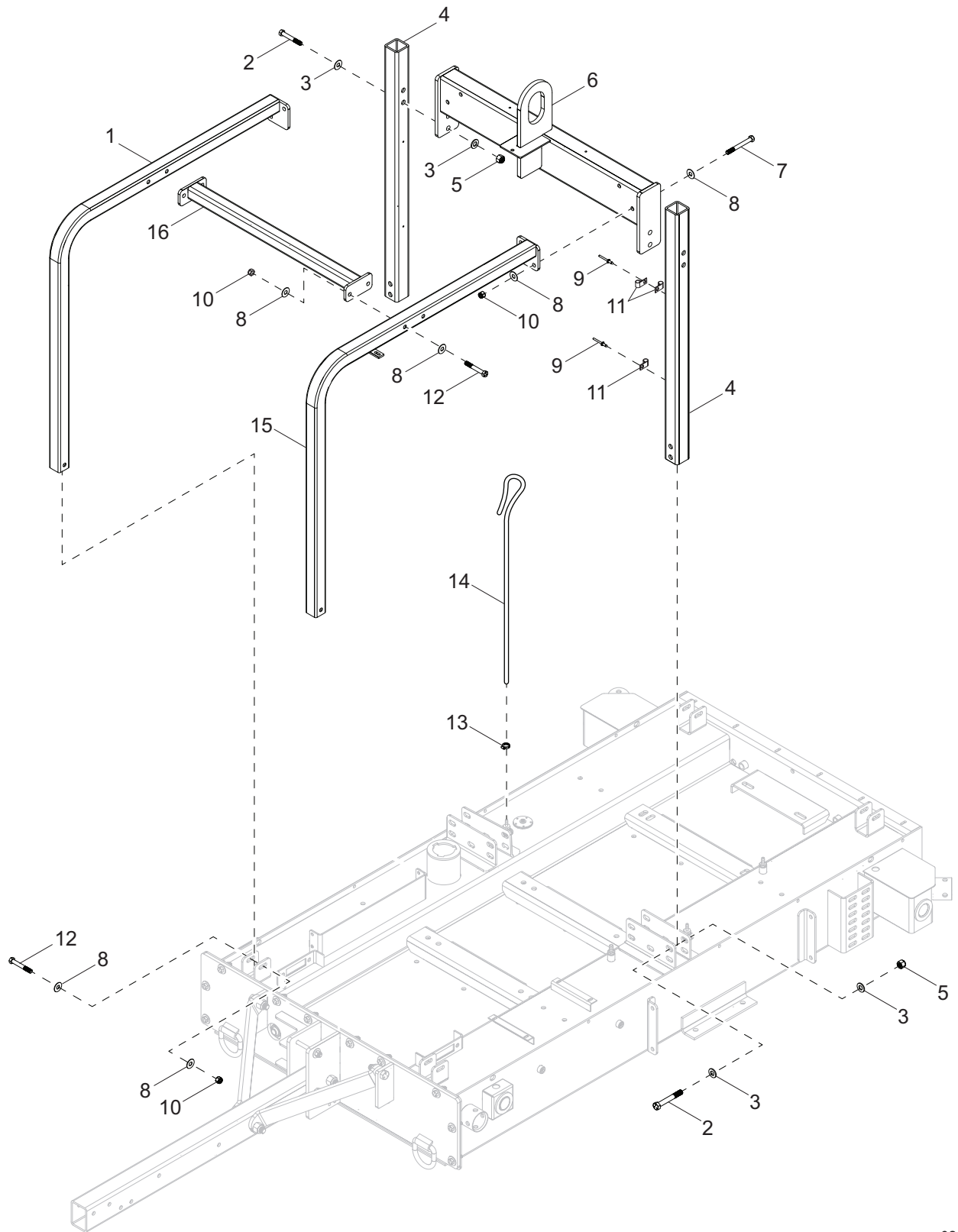


01558

INTERNAL 6" PUMP ASSEMBLY

Item	Part No.	Qty	Description	Notes
1	52792	1	Flange, discharge NPT	
2	52793	1	Gasket, discharge flange	
3	52794	1	Assembly, fill cover	
4	52810	1	Gasket, fill cover	
5	52816	1	Volute, 6 in	
6	52817	1	Lock screw	
7	52818	1	Washer, impeller	
8	52819	1	Impeller, wet prime	
9	52820	1	Shim, impeller	
10	52821	1	Seal, mechanical	
11	52822	1	Sleeve, 6 in	
12	52823	3	Seal, lip	
13	52824	1	Bearing, pump end	
14	52825	1	Shaft, 6 in wet prime	
15	52826	1	Key, impeller	
16	52827	1	Bearing, drive end (double)	
17	52828	1	Retainer, 6 in	
18	52829	1	Gasket, bracket	
19	52830	1	Frame, bearing	
20	52831	1	Gasket, bearing frame	
21	52832	1	Bracket, backplate	
22	52833	3	O-ring	
23	52834	1	Valve, relief	
24	52835	1	Wear plate	
25	52836	1	Cover plate	
26	52837	1	Gasket, check valve	
27	52838	1	Valve, check	
28	52839	1	Flange, suction	

LIFT SUPPORT ASSEMBLY

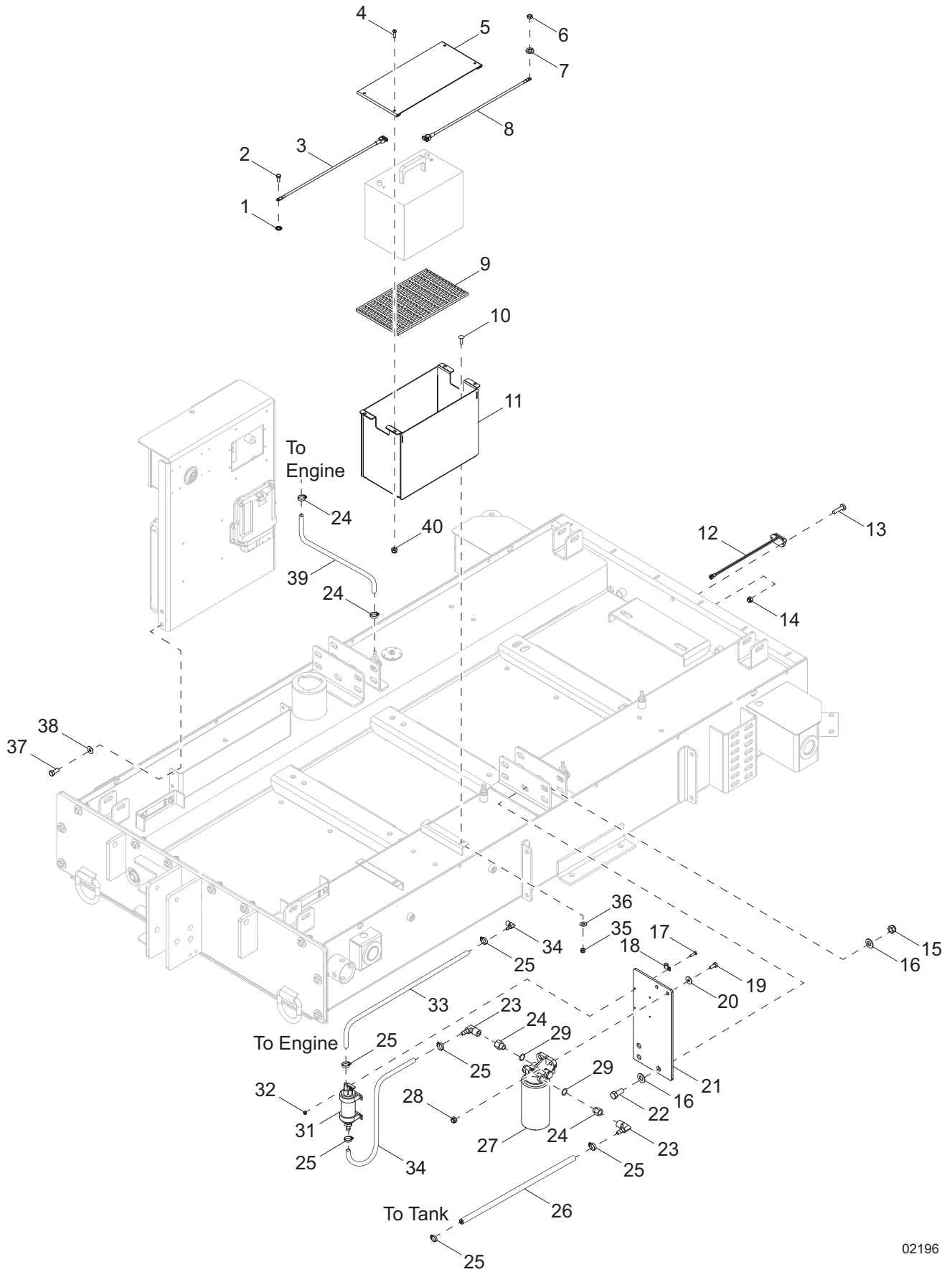


02159

LIFT SUPPORT ASSEMBLY

Item	Part No.	Qty	Description	Notes
1	31688B	1	Weldment, radiator guard RH	
2	42775	8	Screw, .625-11 x 4.50 hex, G5	
3	63265	16	Washer, .625 flat 1.312/.07-.13	
4	31682B	2	Tube, lift	
5	60240	4	Nut, .625-11 nylock, G5	
6	31686B	1	Weldment, lift support	
7	60376	4	Screw, .500-13 x 4.50 hex, G5	
8	60309	20	Washer, .500 flat 1.060/.090	
9	60195	4	Rivet, .188 dia. x .375 to .500 grip	
10	62221	10	Nut, .500-13 nylock, G5	
11	15627	6	Clamp, tubing - .625 heavy duty	
12	60390	6	Screw, .500-13 x 3.50 hex, G5	
13	14216	2	Clamp, hose - SAE 004 (.21-.62) mini	
14	50343	3.16 ft	Hose, .312ID x .562OD, 60PSI	
15	36322B	1	Weldment, radiator guard LH	
16	31690B	1	Weldment, radiator guard, front	
17	60358	2	Nut, .375-16 nylock, G5	

FUEL TANK / TRAILER ASSEMBLY (3 OF 3)

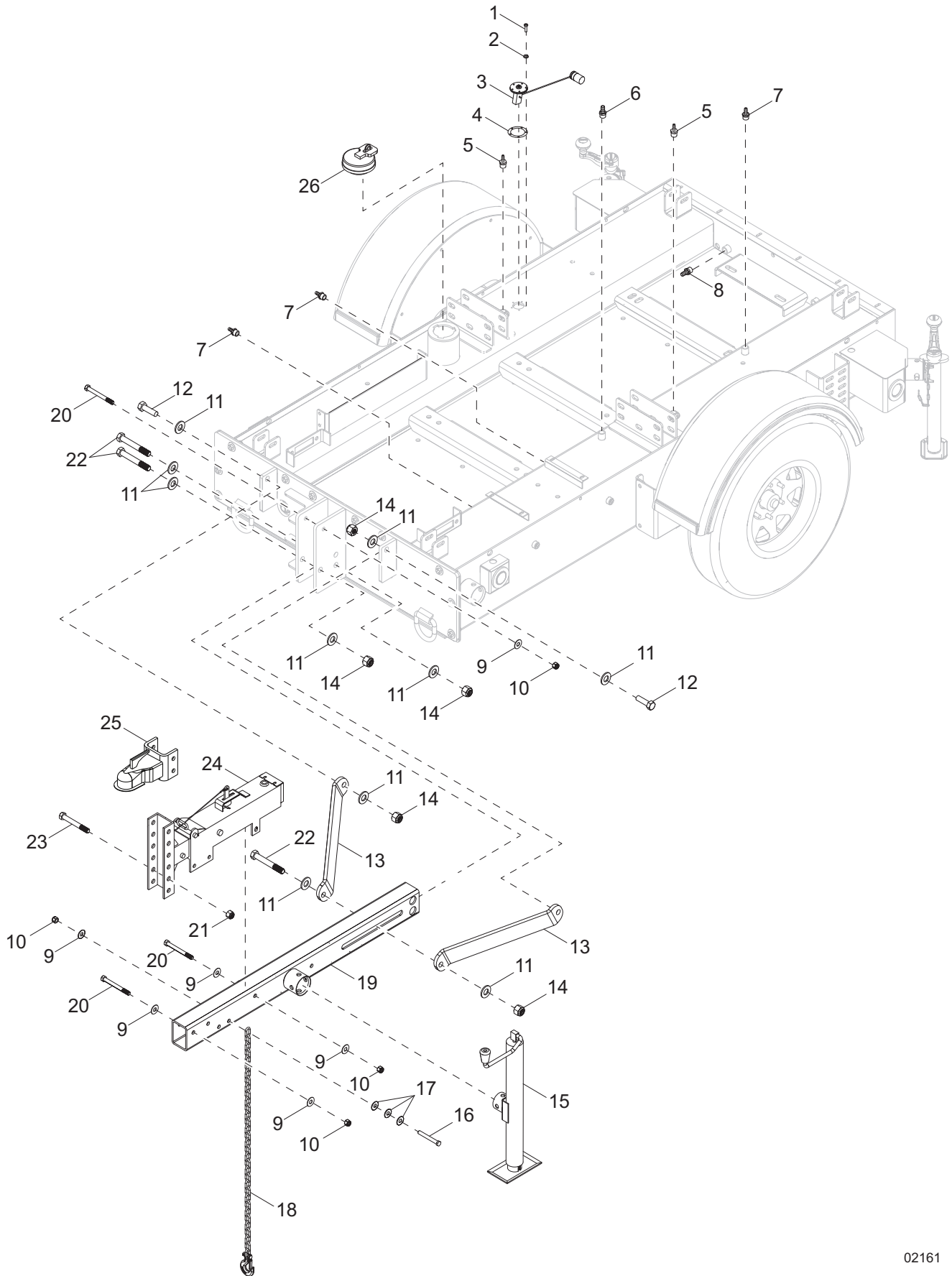


02196

FUEL TANK / TRAILER ASSEMBLY (3 OF 3)

Item	Part No.	Qty	Description	Notes
1	60369	1	Washer, M12 external star	
2	60019	1	Screw, M12-1.75 x 20 sflg hex, G8.8	
3	31625	1	Cable, battery - 46.0 in, 2GA black post/.500 lug	
4	60393	4	Screw, .250-20 x 1.0 hex, G5	
5	52976B	1	Cover, battery box	
6	60032	1	Nut, M8-1.25 hex, G8.8	
7	60271	1	Washer, .312 split lock	
8	24777	1	Cable, batter - 54.0 in, 2GA red w/lead -.375 lug	
9	41185	1	Pad, battery - 6.0 x 10.0 black	
10	61066	4	Screw, .312-18 x 1.0 carriage, SS	
11	52975B	1	Box, battery	
12	36879	1	Light, license plate	
13	60244	2	Screw, 8-32 x .750 pan phil, G2	
14	60270	2	Nut, 8-32 nylock, G6	
15	60240	3	Nut, .625-11 nylock, G5	
16	63265	6	Washer, .625 flat 1.312/.07-.13	
17	60397	4	Screw, 10-32 x 1.0 pan phil, G2	
18	60649	1	Clamp, tubing .750 heavy duty	
19	60139	2	Screw, .375-16 nylock, G5	
20	60698	2	Washer, .375 flat .875/.040, SS	
21	52960B	1	Bracket, fuel filter/pump	
22	61069	3	Screw, .625-11 x 1.750 hex, G5	
23	62108	2	Fitting, 90° - .375MNPT x .375 barb, brass	
24	33146	2	Fitting, strt - .375FNPT x M16-1.5 male	
25	19453	8	Clamp, hose - SAE006 (.37-.87)	
26	51022	3.1 ft	Hose, fuel - .500ID, 125 PSI	
27	52217	1	Pre-filter, fuel	
28	60358	2	Nut, .375-16 nylock, G5	
29	63233	2	Seal, M16	
30	51022	1.5 ft	Hose, fuel - .500 ID, 125 PSI	
31	31451	1	Pump, fuel	
32	60061	4	Nut, 10-32 nylock	
33	51021	1.5	Hose, fuel - .375 ID, 125 PSI	
34	62145	1	Fitting, 90° - .375MNPT x .375 barb, brass	
35	60303	4	Nut, .312-18 nylock, G2	
36	60119	4	Washer, .312 flat .875/.070	
37	60205	4	Screw, .375-16 x 1.0 hex, G5	
38	60386	4	Washer, .375 flat .993/.064	
39	51021	3.2 ft	Hose, fuel - .375 ID, 125 PSI	
40	60144	4	Nut, .250-20 nylock, G5	

FUEL TANK / TRAILER ASSEMBLY (2 OF 3)

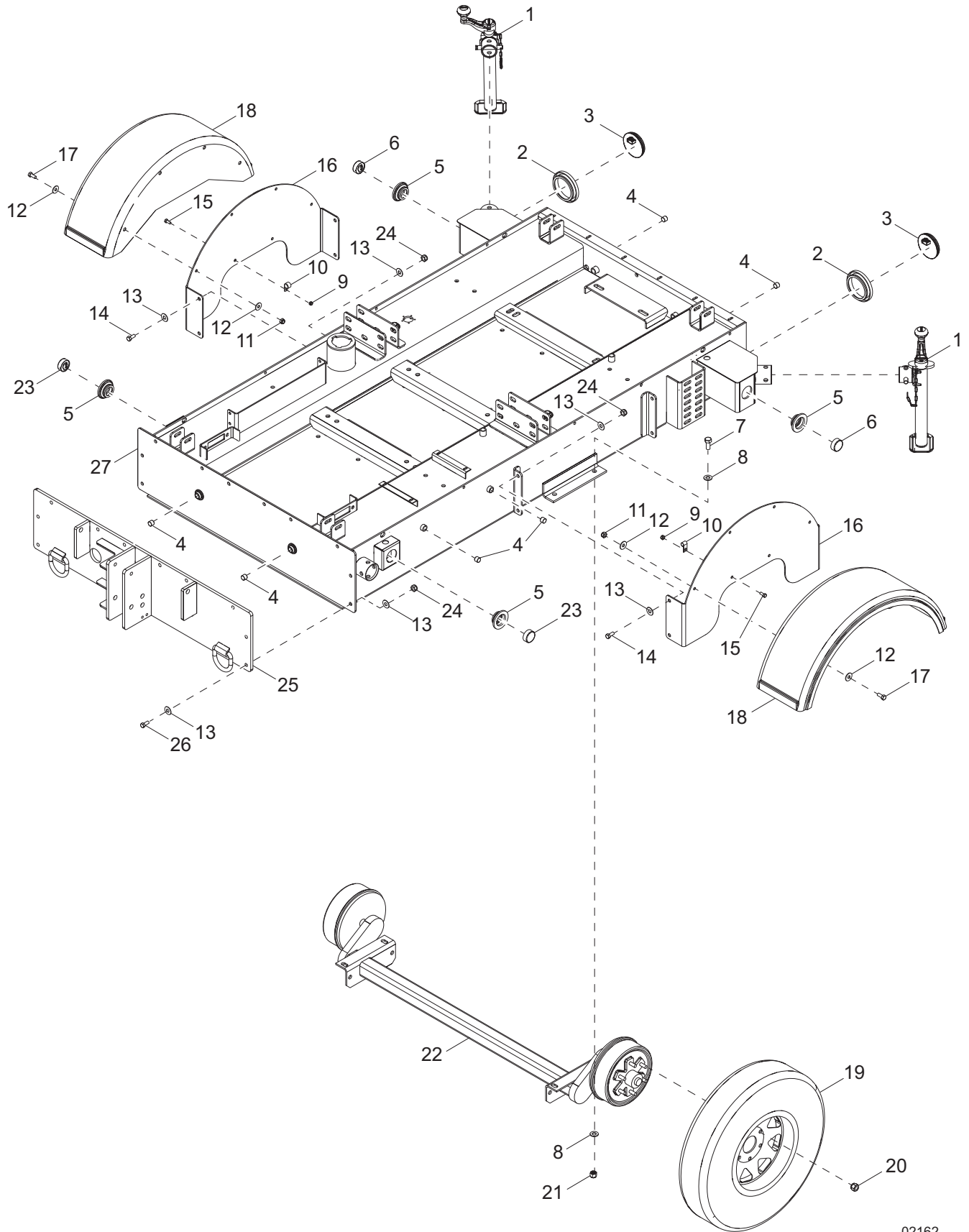


02161

FUEL TANK / TRAILER ASSEMBLY (2 OF 3)

Item	Part No.	Qty	Description	Notes
1	60156	5	Screw, M5-0.80 x 16 pan phil, G4.8	
2	60252	5	Washer, #10 split lock	
3	20571	1	Sender, fuel - 10-15 in tank	
4	22323	1	Gasket, fuel sending unit	
5	60999	2	Fitting, strt - .500MNPT x .312 barb, brass	
6	40728	1	Fitting, strt - .500MNPT x .500 barb, brass	
7	23816	3	Fitting, strt - .500MNPT x .375 barb, brass	
8	60502	2	Fitting, strt - .500MNPT x .625 barb, brass	
9	60309	26	Washer, .500 flat 1.060/.090	
10	62221	12	Nut, .500-13 nylock, G5	
11	60527	12	Washer, .750 flat 1.50/.125	
12	60846	2	Screw, .750-10 x 2.50 hex, G5	
13	31524B	2	Support, tongue	
14	60584	6	Nut, .750-10 nylock, G5	
15	13051	1	Assembly, 2000 lb top wind jack - tube mount	
16	60376	2	Screw, .500-13 x 4.50 hex, G5	
17	60416	10	Washer, .500 flat 1.375/.090, SS	
18	23367	2	Chain, safety - 7,800 lbs rated	
19	53545B	1	Weldment, tongue	
20	61099	3	Screw, .500-15 x 5.0 hex, G8	
21	60240	2	Nut, .625-11 nylock, G5	
22	53157	4	Screw, .750-10 x 5.0 hex, G8	
23	60239	2	Screw, .625-11 x 5.0 std hex, G5	
24	40529	1	Actuator, hydraulic surge brake	
25	19518	1	Coupler, 2.0 ball	
26	23707	1	Cap, fuel	

FUEL TANK / TRAILER ASSEMBLY (1 OF 3)

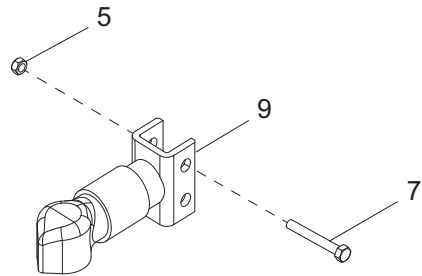
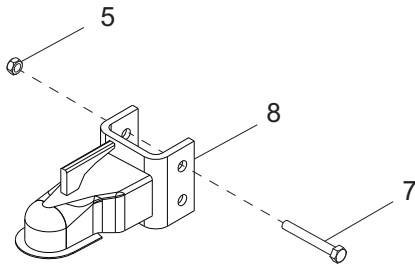
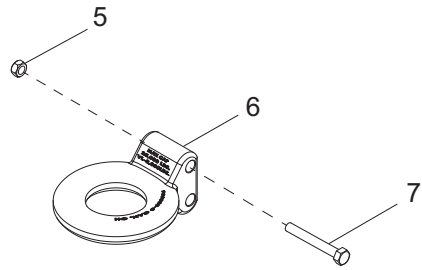
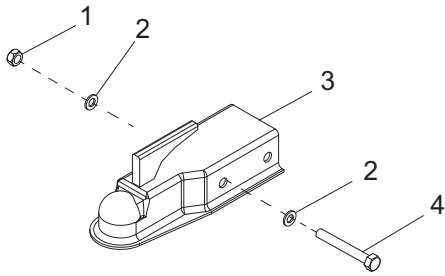


02162

FUEL TANK / TRAILER ASSEMBLY (1 OF 3)

Item	Part No.	Qty	Description	Notes
1	72126	2	Jack, top wind, 1200 lb - tube mount, long foot	
2	10221	2	Grommet, rear light 4.50 - rubber	
3	66701	2	Light, stop/tail/turn, RD4.0 - LED, 12V	
4	18394	6	Fitting, plug - .500NPT x internal hex, steel	
5	66394	4	Grommet, sealed beam light 2.0 - rubber	
6	66703	2	Light, clearance 2.0, red - LED	
7	61069	4	Screw, .625-11 x 1.750 hex, G5	
8	60180	8	Washer, .625 flat 1.750/.10-.16, USS	
9	60144	4	Nut, .250-20 nylock, G5	
10	15626	4	Clamp, tubing - .375 light duty	
11	60358	8	Nut, .375-16 nylock, G5	
12	60386	16	Washer, .375 flat .993/.064	
13	60309	36	Washer, .500 flat 1.060/.090	
14	60388	8	Screw, .500-13 x 1.50 hex, G5	
15	60684	4	Screw, .250-20 x .875 hex, SS	
16	52951B	2	Bracket, fender mounting	
17	60352	8	Screw, .375-16 x 1.250 hex, G5	
18	11381	2	Fender, plastic	
19	18377B	2	Wheel, ST225/75R15, 2540 lb - load D, black	
20	60096	12	Nut, .500-20 lug, G5	
21	60240	4	Nut, .625-11 nylock, G5	
22	31428	1	Axle, 6000 lb Torflex - hydraulic brake	
23	66702	2	Light, clearance 2.0, amber - LED	
24	62221	18	Nut, .500-13 x 1.50 hex, G5	
25	31695B	1	Weldment, tongue support	
26	60484	10	Screw, .500-13 x 2.0 hex, G5	
27	31670B	1	Weldment, chassis/fuel tank	
--	54017	1	Harness, trailer lights	
--	60281	1	Screw, .250-20 x .750 hex, G5	use with 54017
--	60144	1	Nut, .250-20 nylock, G5	use with 54017
--	60747	1	Washer .375 internal star	use with 54017
--	65465	1	Adapter, trailer wiring, flat 4 to round 7 blade	
--	67856	1	Harness, trailer extension assembly	

TRAILER HITCH OPTIONS

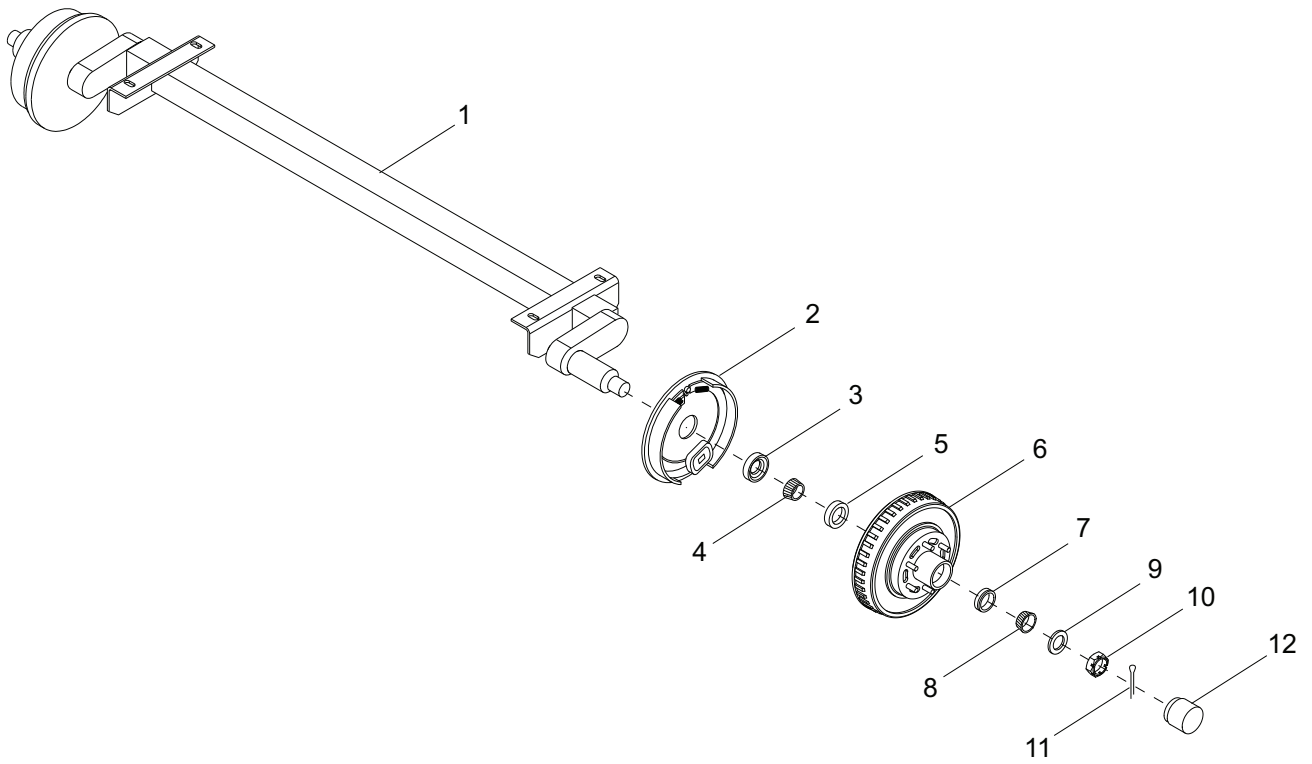


02163

TRAILER HITCH OPTIONS

Item	Part No.	Qty	Description	Notes
1	62221	3	Nut, .500-13 nylock, G5	
2	60309	6	Washer, .500 flat 1.060/.090	
3	23162	1	Coupler, 2.0 ball/3.0 channel - 5000 lb	
4	61099	3	Screw, .500-13 x 5.0 std hex, G8	
5	60240	2	Nut, .625-11 nylock, G5	
6	19335B	1	Coupler, lunette ring - 3.0 ID	
7	60239	2	Screw, .625-11 x 5.0 std hex, G5	
8	19519	1	Coupler, 2.31 ball	
9	41795	1	Coupler, 2.31 ball - 12500 lb, Bulldog	
--	65593	1	Adapter, trailer - 4 pin and 2 pin to 6 pin	Electric Brake
--	65583	1	Adapter, trailer - round 6 pin to round 7 spade	Electric Brake
--	65463	1	Adapter, trailer - flat 4 pin to round 6 pin	Surge Brake
--	65464	1	Adapter, trailer - flat 4 pin to round 7 pin	Surge Brake
--	65465	1	Adapter, trailer - flat 4 pin to round 7 spade	Surge Brake

AXLE ASSEMBLY



00259

AXLE ASSEMBLY

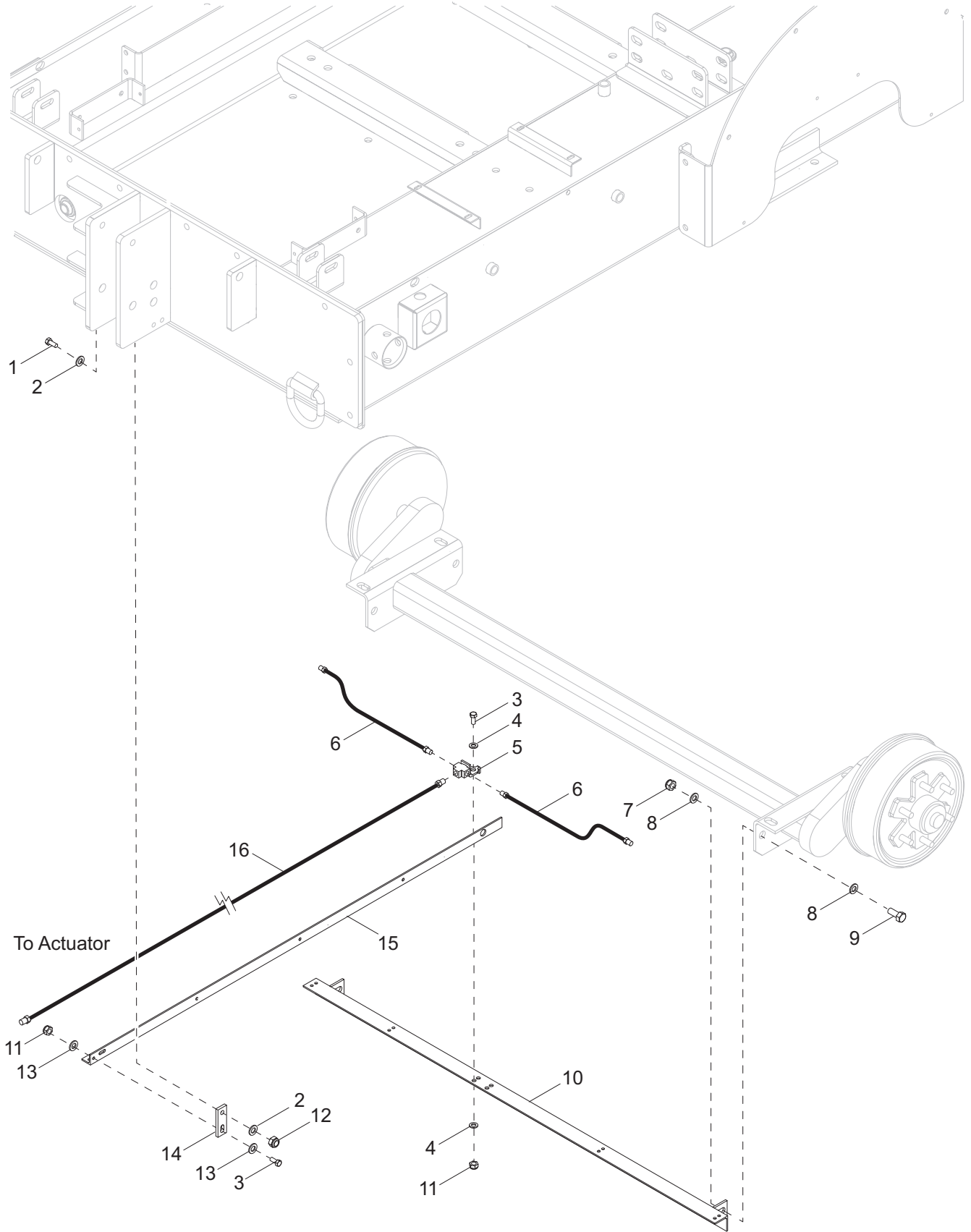
Item	Part No.	Qty	Description	Notes
1	31428	1	Axle, 6000 lb. - Torflex	Hydraulic
2	26571	1	Surge free-backing brake - left	
	26572	1	Surge free-backing brake - right	
3	26575	2	Inner grease seal 2.125 in	
4	26576	2	Inner hub bearing	
5	26577	2	Inner bearing cup	
6	22387	2	Drum, large trailer brake	6000 lb axle
7	26584	2	Outer bearing cup	
8	26585	2	Outer hub bearing	
9	26581	2	Spindle washer	
10	12308	2	Spindle nut	
11	26583	2	Spindle nut - cotter pin	
12	26586	2	Dust cap	

OPTIONAL FEATURES

Axle - Electric Brake:

--	54304	1	Axle, 6000 lb. - Torflex	Electric
--	26573	1	Assembly, electric brake - left	
--	26574	1	Assembly, electric brake - right	

TRAILER BRAKE LINES



02164

TRAILER BRAKE LINES

Item	Part No.	Qty	Description	Notes
1	60831	1	Screw, .375-16 x 1.50 hex, SS	
2	60698	2	Washer, .375 flat .875/.040, SS	
3	60684	2	Screw, .250-20 x .875 hex, SS	
4	60340	2	Washer, .312 flat .875/.040, SS	
5	19252	1	Fitting, strt .188 brake line T - w/bracket - female	
6	40819	2	Hose, brake .188 x 60.0 male/male	
7	62221	2	Nut, .500-13 nylock, G5	
8	60416	4	Washer, .500 flat .375/.090	
9	61103	2	Screw, .500-13 x 1.750 sflg	
10	54107B	1	Weldment, brake line support - axle end	
11	60144	1	Nut, .250-20 nylock, G5	
12	60358	1	Nut, .375-16 nylock, G5	
13	60166	2	Washer, M8 flat	
14	54103B	1	Bracket, brake line support	
15	54105B	1	Angle, center brake line support	
16	23250	1	Hose, brake .188 x 94.0 male/male	
--	15626	2	Clamp, tubing - .375 lt duty	
--	60231	2	Rivet, .188 dia x .375 to .500 grip	

RECOMMENDED SPARE PARTS LIST

ENGINE

Alternator, engine.....	52214
Belt, fan	52213
Cap, engine filler	52225
Cap, radiator.....	39850
Dipstick,	52215
Element, air filter	22874
Fan, pusher	31410
Pre-Filter, fuel	52216
Filter, fuel	52217
Filter, oil	52212
Hose, radiator - lower	31440
Hose, radiator - upper.....	31439
Pump, fuel	31451
Sender, fuel	20571
Sensor, temp, valve cover	52220
Sensor, temp	52221
Sensor, low coolant	68206
Sensor, oil pressure, valve cover.....	52224
Sensor, oil pressure.....	52223
Starter, engine	52219

PUMP

Impeller.....	52819
Mechanical seal	52821
Wear plate	52835

ELECTRICAL

Controller, LOFA 750, programmed.....	54307
E-stop switch	65470
E-stop contactor NO/NO.....	65584
Relay, 12V/70A NC/80A NO w/diode (glow plug).....	66455

TRAILER

Cap, fuel fill.....	23707
Jack, side wind (rear)	41133
Jack, top wind (tongue)	13051

MAINTENANCE KITS

500 hr maintenance kit	SKM0005
2000 hr maintenance kit	SKM0006

