

# MTP8

MTP8DZD • MTP8DZV

MOBILE TRASH PUMP

**GENERAC** | MOBILE

## SPECIFICATIONS

### ENGINE SYSTEM

- Deutz TCD 3.6 L4
- Diesel fueled
- Turbocharged
- EPA Tier 4
- 4 cylinders
- 3.6 L displacement
- Water cooled
- Power @ 1,800 rpm – HP (kW):
  - Prime: 125 (92)
- DOC and SCR exhaust after-treatment
- Disposable air filter (paper element)
- Spin-on oil and fuel filters
- Exterior oil drain
- Rubber vibration isolator dampers

### Fuel System

- Steel, single-wall fuel tank – gal (L):
  - Capacity: 113 (428)
  - Usable: 100 (379)
- Run time: 24 hr @ 1,500 rpm
- Fuel consumption – 100% @ prime: 5.3 gph (23.4 Lph)\*
- DEF tank – gal (L):
  - Capacity: 5.28 (20)

### Cooling System

- Capable of operating at 108 °F (42 °C) ambient
- Low coolant shutdown
- Exterior coolant drain

### Lubrication System

- Oil filter: Full flow, spin-on type
- 1,000-hr service interval\*

*\*Results based on engine manufacturer and field test data after 100-hour engine break-in period and may vary based on factors including age and maintenance of equipment, environmental conditions, and fuel density. See owner's manual for fuel and maintenance recommendations.*

### ELECTRICAL SYSTEM

- 950 CCA wet cell battery
- 95 A alternator
- Low coolant warning and shutdown

### SYSTEM CONTRLS

- White LED control panel lighting
- Standard controller – LOFA™ CP750
  - Display: Backlit, 4.3 in (109 mm), LCD
  - Displays engine temp, engine speed, fuel level, engine hours, coolant temp, oil pressure, and DEF level
  - Advanced automatic start/stop control for use with two-switch inputs and 4-20 mA transducer
  - Configurable high and low set points control start/stop operation



Picture shown may not reflect actual configuration.

Generac Mobile Products, LLC | 800-926-9768 | [www.generacmobileproducts.com](http://www.generacmobileproducts.com)

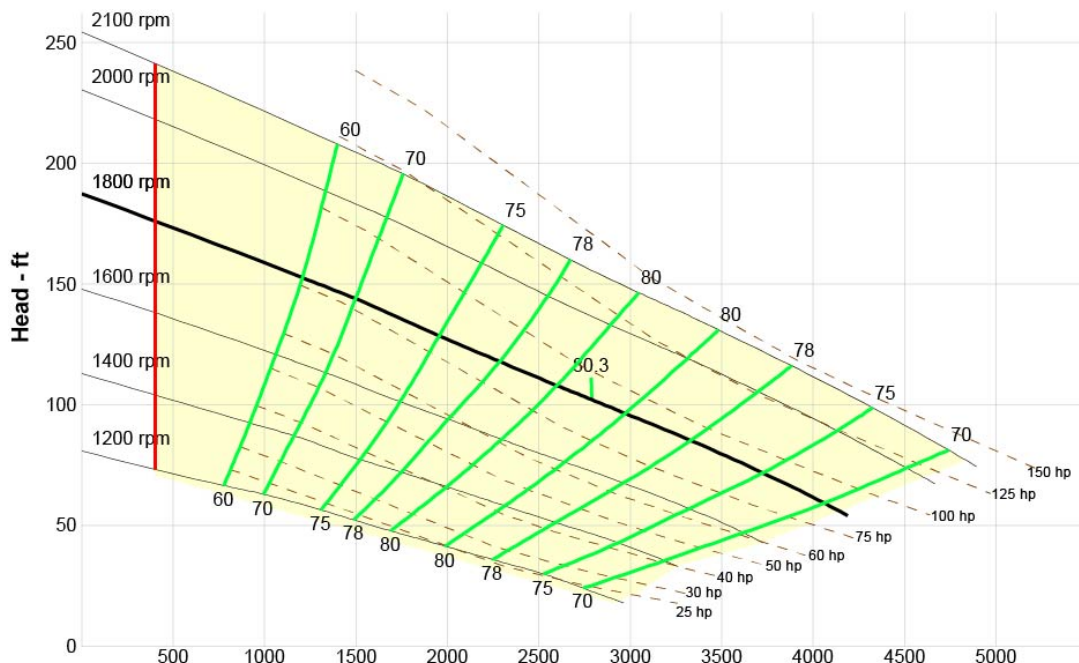
- Alarm output to signal start warning or shutdown conditions
- Heavy-duty IP64 water-resistant key switch with booted key
- RS485 serial interface for auxiliary equipment
- Electronic E-stop with red LED indicator

### PUMP

- Cornell® 8NNT dry-prime centrifugal pump
- Cycloseal® sealing system for extended seal life
- Diaphragm or venture priming
- 8 in. NPTF – suction & discharge connection
- Cast iron ASTM A48, Class 30 pump casing
- Cast iron ASTM A48, Class 30 impeller
- 2 vane, enclosed impeller
- Impeller design with deflector and pumpout vanes
- Single mechanical seal, John Crane Type 1 & 2, with tungsten carbide vs silicon carbide faces
- Replaceable wear ring
- Run-dry™ system for continuous operations without need for external flush water or venting
- Pump shaft: 1144 stress-proof steel

### PUMP PERFORMANCE

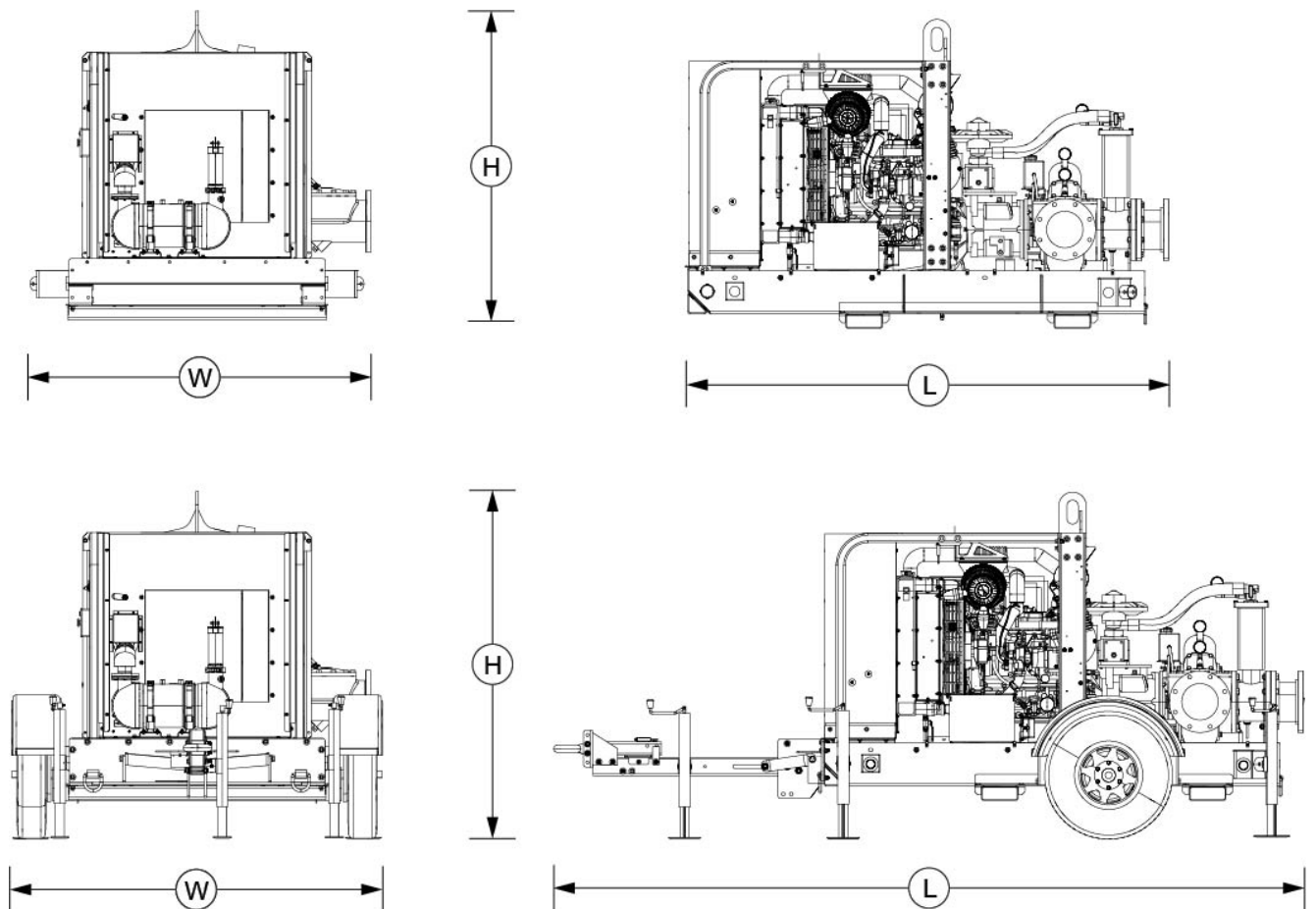
- Pump output: 4,184 gpm (15,838 Lpm)
- Lift suction: 25 ft (7.62 m)
- Maximum diameter of solids: 3.375 in (85.725 mm)
- Impeller diameter: 12.63 in (32.08 cm)
- Maximum efficiency (BEP percent) – 75% BEP flow: 2,442 gpm (9,244 Lpm)
- Total dynamic head: 187 ft (57 m)
- Intake/discharge height: 30 in (0.76m)
- Duty points:
  - 2,782 gpm (10,531 Lpm) / 102 ft (31 m) TDH @ 1,800 rpm, 80% efficiency, 89.5 hp, 13 ft (4 m) NPSHR
  - 1,204 gpm (4,557 Lpm) / 153 ft (46 m) TDH @ 1,800 rpm, 60% efficiency, 77.4 hp, 16 ft (5 m) NPSHR



### TRAILER

- Flip-tongue design
- Bolt-on, replaceable front tongue mounting plate
- DOT approved LED tail, side, brake, and directional lights
- Hydraulic surge brakes
- Four transportation tie downs capable of handling 3 in (76.2 mm) trailer straps
- Safety chains with spring-loaded safety hooks
- 2 in (50.8 mm) adjustable ball hitch
- 6,000 lb (2,722 kg) torsion axle with surge brakes
- 2,000 lb (907 kg) tongue jack with footplate
- Two 2,000 lb (907 kg) top-wind jacks, with option to add up to four
- ST225/75R15 tubeless tires – 8 ply
- UV & fade resistant, high temperature cured, black polyester power paint
- Central lifting point
- Document holder with owner’s manual, including AC and DC wiring diagrams

### DIMENSIONS AND WEIGHTS

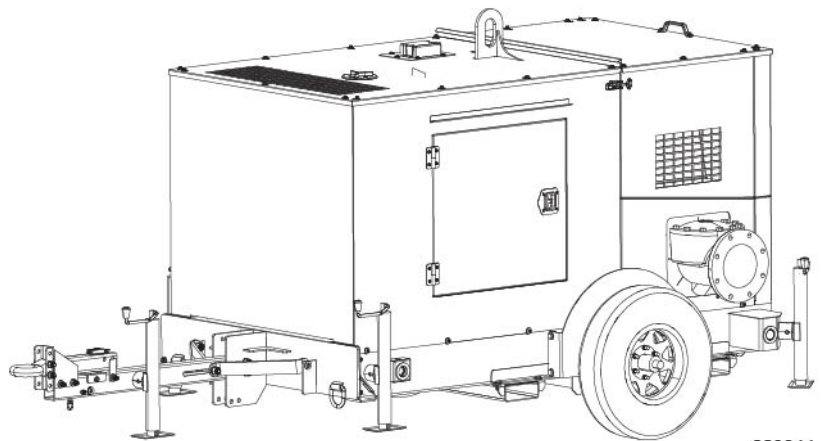


010405

	Dimensions – LxWxH: in (m)	Weight: lb (kg)
Skid Mounted	105.0x56.2x64.5 (2.7x1.4x1.6)	Dry: 3,703 (1,680)
		Operating: 4,516 (2,048)
Trailer Mounted	158.1x81.2x76.5 (4.0x2.1x1.9)	Dry: 4,303 (1,952)
		Operating: 5,116 (2,321)

### FACTORY INSTALLED OPTIONS

- Sound attenuated enclosure
  - UV and fade resistant, high temperature cured, white polyester powder-coat paint
  - Stainless steel hinges on all doors
  - Fully lockable – including doors, fuel fill, and DEF fill
  - Complete easy access:
    - Rear cabinet tilts for easy pump maintenance
    - Side access doors with positive-stay stainless-steel hinges for easy access to controller and engine
    - Top of cabinet provides easy access to radiator – fill, inspection, and maintenance
- Skid or trailer mount
- Trailer options:
  - Spare tire
  - Electric surge brakes
  - 2 in. adjustable ball hitch
  - 2.3 in. Bulldog® hitch
  - 3 in. adjustable ring hitch
- Inlet and outlet fittings:
  - Cam-and-groove (female-male)
  - Cam-and-groove (male-male)
  - Ball & lock ring
  - Socket
  - Pump fitting
- Float switches
- Cutter impeller
- 60/40 coolant



009344

### WEIGHT—OPTIONAL ENCLOSURE

Enclosure weight: 330 lb (149.7 kg)

### WARRANTY

2 years, 2,000 hours (1 year, unlimited hours)

### CERTIFICATIONS

- CSA
- NATM
- EPA Final Tier 4