
Prime Power Rating

24 kW, 30 kVA, 60 Hz, Three-Phase and Single-Phase



Picture shown may not reflect actual configuration.

Zero Emissions and Zero Sound
Power When and Where You Need It

The Generac Mobile Battery Energy Storage System (BESS) provides three-phase and single-phase power output for mobile power applications with the advantage of zero sound and zero emissions. When connected to a compatible generator, it creates a hybrid system optimizing generator and BESS operation to power varying load requirements. The BESS automatically turns the generator on to recharge the batteries and provide peak power output and off when not needed, thereby maximizing efficiency.

FEATURES

POWER AND VOLTAGE

- 30 kVA Three-Phase Prime Rated Power
- 208/120 V Three-Phase Main Output
- 120/240 V Single-Phase Convenience Receptacles
- 165 A Main Circuit Breaker
- 200 A Inverter Rating Passthrough
- 60 Hz

POWER DISTRIBUTION

- 208/120 V Three-Phase Main Output Camlocks
- (2) 120 V 20 A GFCI Duplex (NEMA 5-20R) Receptacles
- (2) 120/240 V 30 A Twistlock (NEMA L14-30R) Receptacles
- (1) 120 V 30 A Twistlock (NEMA L5-30R) Receptacle

BATTERY TECHNOLOGY

- Deep cycle, Maintenance Free, Gel Lead Acid OPzV-S or Li-Ion NMC Batteries
- Up to 125 kWh Energy Storage

CHARGING CONNECTIONS

- 208/120 V Three-Phase Main Input Camlocks
- 120 V 15 A Single-Phase (NEMA 5-15P) Maintenance Charge Plug
- 50 V 100 A DC Anderson Connector
- 2-Wire Remote Start Cable for Charging Generator

CONTROL SYSTEM

- Touch Screen HMI
- On/Off Switch
- Battery System Function Indicator Lights
- Emergency Stop
- Telematics Monitoring

MOBILITY

- Dual Lifting Eyes
- Skid
- Trailer, Dual-axle, Electric Brakes (Optional)

WARRANTY

- 2 Years or 750 Battery Cycles (Whichever Occurs First)

APPLICATION AND ENGINEERING DATA

BATTERY ENERGY STORAGE SYSTEM SPECIFICATIONS

		MBE30-60	MBE30-90	MBE30-125
Power Output Continuous	24 kW/30 kVA	•	•	•
Power Output Peak	60 kW	•	•	•
Frequency	60 Hz	•	•	•
Main Output Voltage	208/120 V Three-Phase	•	•	•
120 V, 20 A, 1-Phase GFCI Duplex (NEMA 5-20R)	2	•	•	•
120 V, 30 A, 1-Phase Twistlock (NEMA L5-30R)	1	•	•	•
120/240 V, 30 A, 1-Phase Twistlock (NEMA L14-30R)	2	•	•	–
Main Circuit Breaker	165 A	•	•	•
Pass-Through Capacity (Inverter Rating)	200 A	•	•	•
Lead Acid OPzV-S Batteries	60 kWh	•	–	–
Lead Acid OPzV-S Batteries	90 kWh	–	•	–
Li-Ion NMC Batteries	125 kWh	–	–	•
Battery Type		Gel lead acid OPzV-S		Li-Ion NMC
Battery Design Life (Depth of Discharge)		2,000 cycles to 80%, 3,000 cycles to 60%		3,000 cycles to 80%
Usable Stored Energy		48 kWh	72 kWh	100 kWh

- = Standard
- = Not Offered

BATTERY SPECIFICATIONS

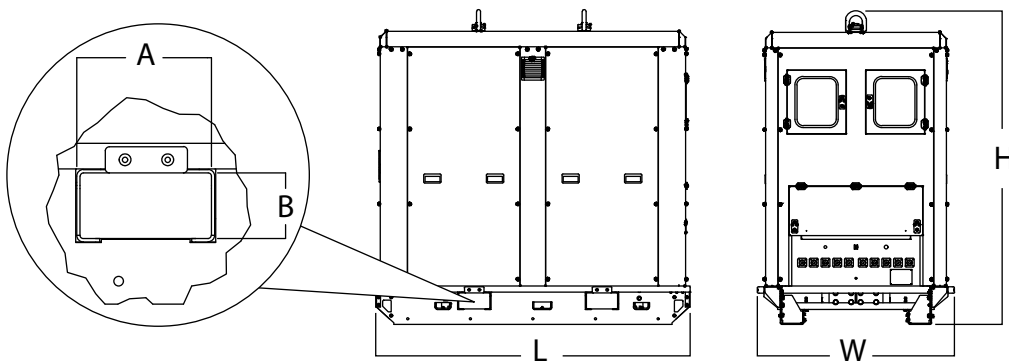
Battery Type	Gel Lead Acid OPzV-S	Li-Ion NMC
Operating Temperature	-4 to 113 °F (-20 to 45 °C)	14 to 113 °F (-10 to 45 °C)
Charging Temperature	-4 to 113 °F (-20 to 45 °C)	32 to 113 °F (0 to 45 °C)

OPERATING DATA

POWER RATINGS

	Prime: kW/kVA (A)
Three-Phase, 208/120 VAC @ 0.8 PF	24/30 (83)

DIMENSIONS AND WEIGHTS*



Unit Dimensions L×W×H - in (mm)
Forklift Pocket Dimensions A×B - in (mm)

MBE30-60	MBE30-90	MBE30-125
L×W×H = 79.1×49.8×79.1 (2,010×1,265×2,010)		
A×B = 8.1×3.9 (205×100)		
Unit Weight - lb (kg)		
MBE30-60	MBE30-90	MBE30-125
6,834 (3,100)	8,730 (3,950)	4,299 (2,280)

SOUND RATING

- Inaudible Above Background

* All measurements are approximate and for estimation purposes only.

YOUR FACTORY RECOGNIZED GENERAC MOBILE DEALER

Specification characteristics may change without notice. Dimensions and weights are for preliminary purposes only. Please contact a Generac Mobile Products Authorized Service Dealer for detailed installation drawings.