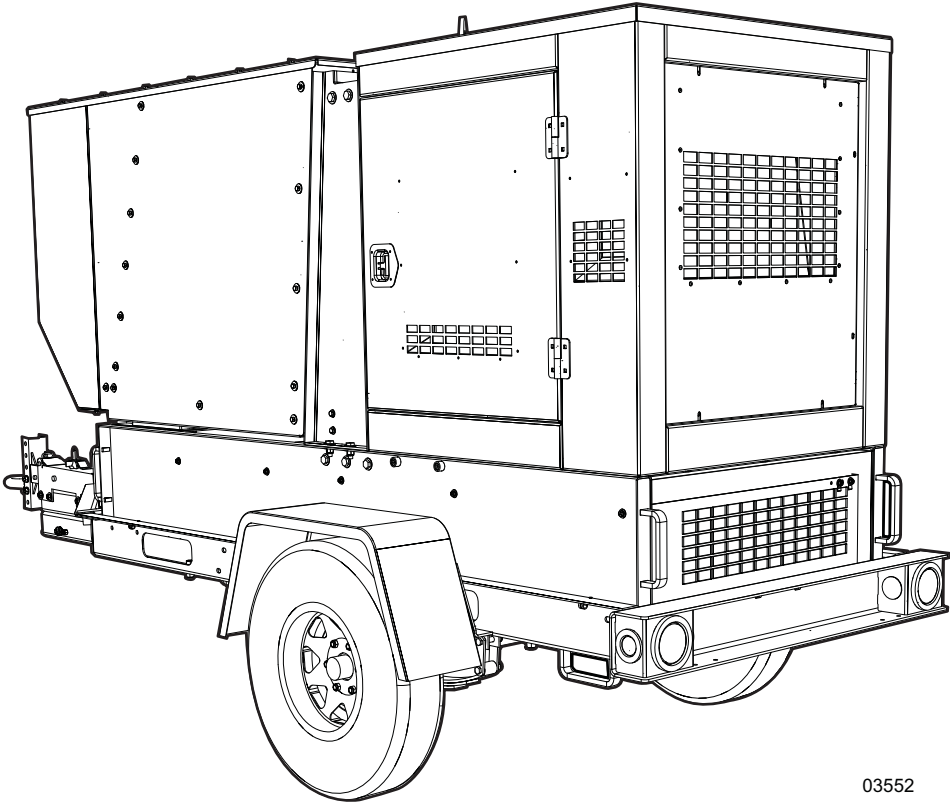


MDG75DF4-STD3

Diesel Generator Parts Manual



03552

MODEL NUMBER: _____

SERIAL NUMBER: _____

DATE PURCHASED: _____

SAVE THIS MANUAL FOR FUTURE REFERENCE

 **WARNING**

CANCER AND REPRODUCTIVE HARM

www.P65Warnings.ca.gov.

(000393a)

 **WARNING**

Breathing diesel engine exhaust exposes you to chemicals known to the State of California to cause cancer and birth defects or other reproductive harm.

- Always start and operate the engine in a well-ventilated area.
- If in an enclosed area, vent the exhaust to the outside.
- Do not modify or tamper with the exhaust system.
- Do not idle the engine except as necessary.

For more information go to

www.P65Warnings.ca.gov/diesel.

(000394)

Introduction

This parts manual was prepared based on the information available at the time of publication and is subject to change without notice. Generac Mobile Products reserves the right to change parts at any time. To check whether a revised parts manual is available, contact Generac Mobile Products.

DO NOT MODIFY or use this equipment for any application other than which it was designed for. To keep your equipment fully operational, it is suggested you maintain a stock of commonly used maintenance or service parts. A recommended spare parts list can be found in the back of this manual. To order service parts, please go to www.generacmobileproducts.com or call Generac Mobile Products.



WARNING

Consult Manual. Read and understand manual completely before using product. Failure to completely understand manual and product could result in death or serious injury. (000100a)

WARNING

Environmental Hazard. Always recycle batteries at an official recycling center in accordance with all local laws and regulations. Failure to do so could result in environmental damage, death, or serious injury. (000228)

GENERAC MOBILE PRODUCTS LLC

215 Power Drive • Berlin, WI 54923 U.S.A.

Phone: 920-361-4442

FAX: 920-361-4416

Toll Free: 1-800-926-9768

www.generacmobileproducts.com

For technical or parts QUESTIONS, contact Generac Mobile Products Technical Service at 1-800-926-9768.

Engine Make: _____

Engine Serial Number: _____

Engine Model Number: _____

This Page Intentionally Left Blank

Table of Contents

Introduction	iii
Parts Manual Instructions	1
Unit Decals - Exterior	2
Unit Decals - Left Side Interior	4
Unit Decals - Right Side Interior	6
Unit Decals - Control Box	8
Enclosure Panels	10
Doors, Roof, Rear Panel, and Front Hood to Unit	12
Front Hood Assembly (1 of 2)	14
Front Hood Assembly (2 of 2)	16
Left Rear Door Assembly	18
Control Door Assembly	20
Rear Panel Assembly	22
End and Side Panels to Unit	24
Rear Corner Panels to Unit	26
Left Rear Corner Assembly	28
Right Rear Corner Assembly	30
Control Box to Unit	32
Control Box Assembly (1 of 2)	34
Control Box Assembly (2 of 2)	36
Control Panel Assembly	38
Lug Box Assembly	40
Receptacle Panel Assembly	42
Lift Structure Assembly	46
Lift Structure Assembly - External Fuel (If Equipped)	48
Air Filter Assembly	50
Exhaust System Assembly	52
Cooling System Assembly	54
Cooling System Hoses	56
Engine and Generator to Skid Assembly	58
Engine Assembly	60
Generator Assembly	62
Generator Assembly (V-Flex Option)	64
Skid Assembly	66
Fuel Tank Assembly	68
Fuel Tank Assembly (If Equipped)	70
Trailer Assembly - Single Axle	72
Trailer Assembly - Tandem Axle	74
Axle Assembly	76
Trailer Brake Lines - Single Axle	78
Trailer Hitch Options	82
Recommended Spare Parts - Engine and Service Kits	84
Recommended Spare Parts - Electrical and Trailer	86

This Page Intentionally Left Blank

Parts Manual Instructions

Product illustrations are only representations. Products supplied may vary from the illustrations in this parts manual. Parts not shown in the illustration are indicated by a double dash (--) in the item column.

Please be prepared to provide the following information when ordering replacement parts: model number, serial number (on unit serial tag), part number, purchase order number (if applicable), shipping address, shipping method.

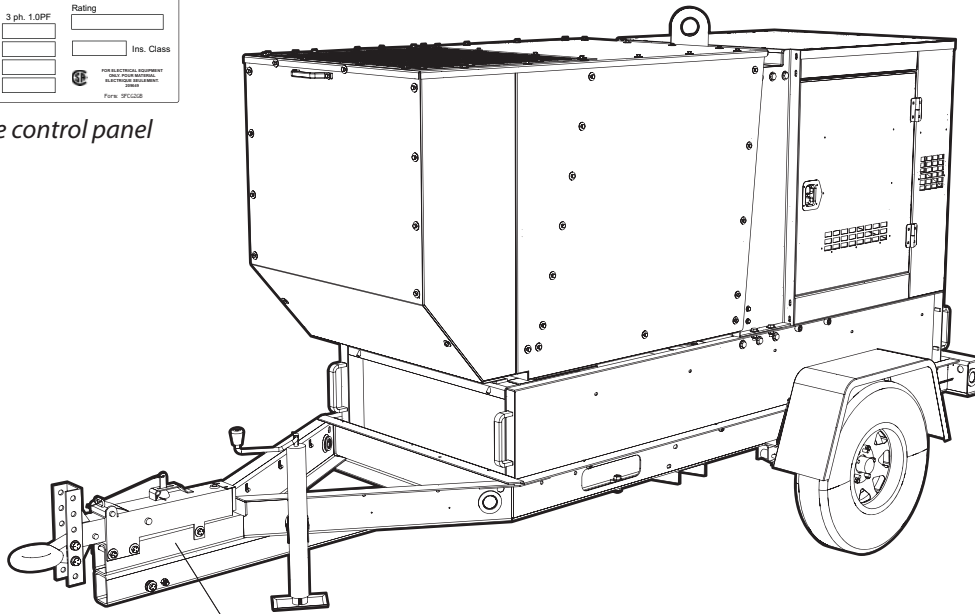
Refer to the illustration below to locate the unit ID tag and Vehicle Identification Number (VIN) tag on the unit. Important information, such as the unit serial number, model number, VIN and tire loading information are found on these tags. Record the information from these tags so it is available if the tags are lost or damaged. When ordering parts or requesting assistance, you may be asked to provide this information.

UNIT ID Tag

Manufactured by Generac Mobile Products LLC.
 (920) 361-4442 (800) 926-9788

Country of Origin	Model	Serial Number
Manufacturing Code	Weight (lbs/kg)	RPM/Frequency
1 ph. 1.0PF	3 ph. .8PF	3 ph. 1.0PF
Rating		
KW		
KVA		
V		
A		
<small>APPROPRIATE EQUIPMENT MUST BE USED WITH THIS EQUIPMENT</small>		Ints. Class
<small>Part No. 3F1C028</small>		

Located on the control panel

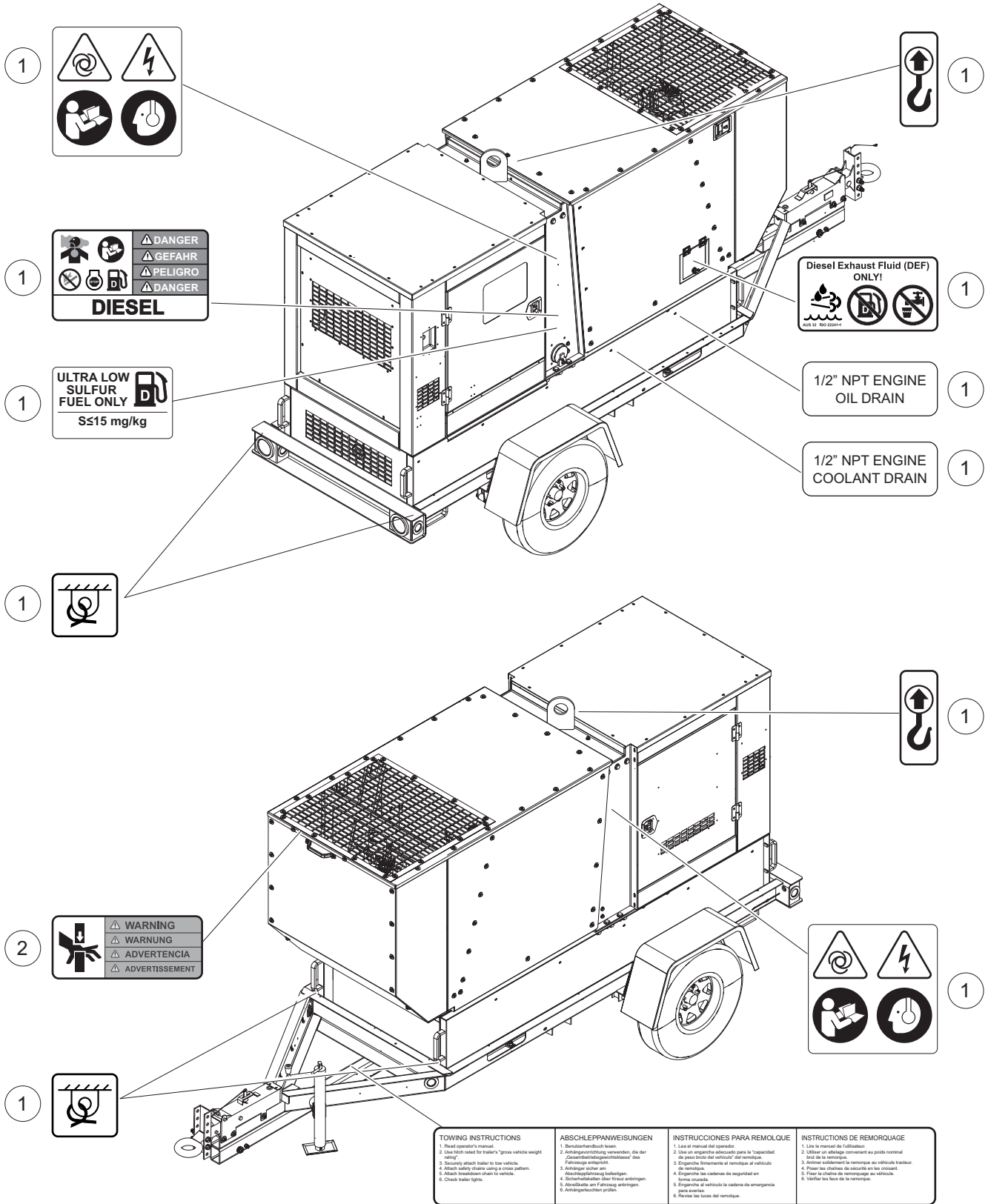


VIN Tag

MANUFACTURED BY/FABRIQUE PAR: Generac Mobile Products LLC GVWR/PNEUV: 000KG (000LBS)		DATE: 00/0000 COLD INF. PRESS./ PRESS. DE GONF A FROID - KPA(PSI/LPC) SGL / DUAL
GAWR / PNBE TIRE / PNEU RIM / JANTE	EACH AXLE _____	
<small>THIS VEHICLE CONFORMS TO ALL APPLICABLE STANDARDS PRESCRIBED UNDER THE U.S. FEDERAL MOTOR VEHICLE SAFETY STANDARDS(FMVSS) AND CANADIAN MOTOR VEHICLE SAFETY REGULATIONS IN EFFECT ON THE DATE OF MANUFACTURE. CE VEHICULE EST CONFORME A TOUTES LES NORMES QUI LI SONT APPLICABLES EN VERTU DU REGLEMENT SUR LA SECURITE DES VEHICULES AUTOMOBILES DU CANADA EN VIGUEUR A LA DATE DE FABRICATION.</small>		
V.I.N./N.I.V.: 0000000000000000		MODEL: XXX000 TYPE: TRAILER
		TIRE AND LOADING INFORMATION RENSEIGNEMENTS SUR LES PNEUS ET LE CHARGEMENT The weight of cargo should never exceed 0000KG (0000LBS) Le poids du chargement ne doit jamais dépasser 0000KG (0000LBS)
		SEE OWNER'S MANUAL FOR ADDITIONAL INFORMATION VOIR LE MANUEL DE L'USAGER POUR PLUS DE RENSEIGNEMENTS

01985

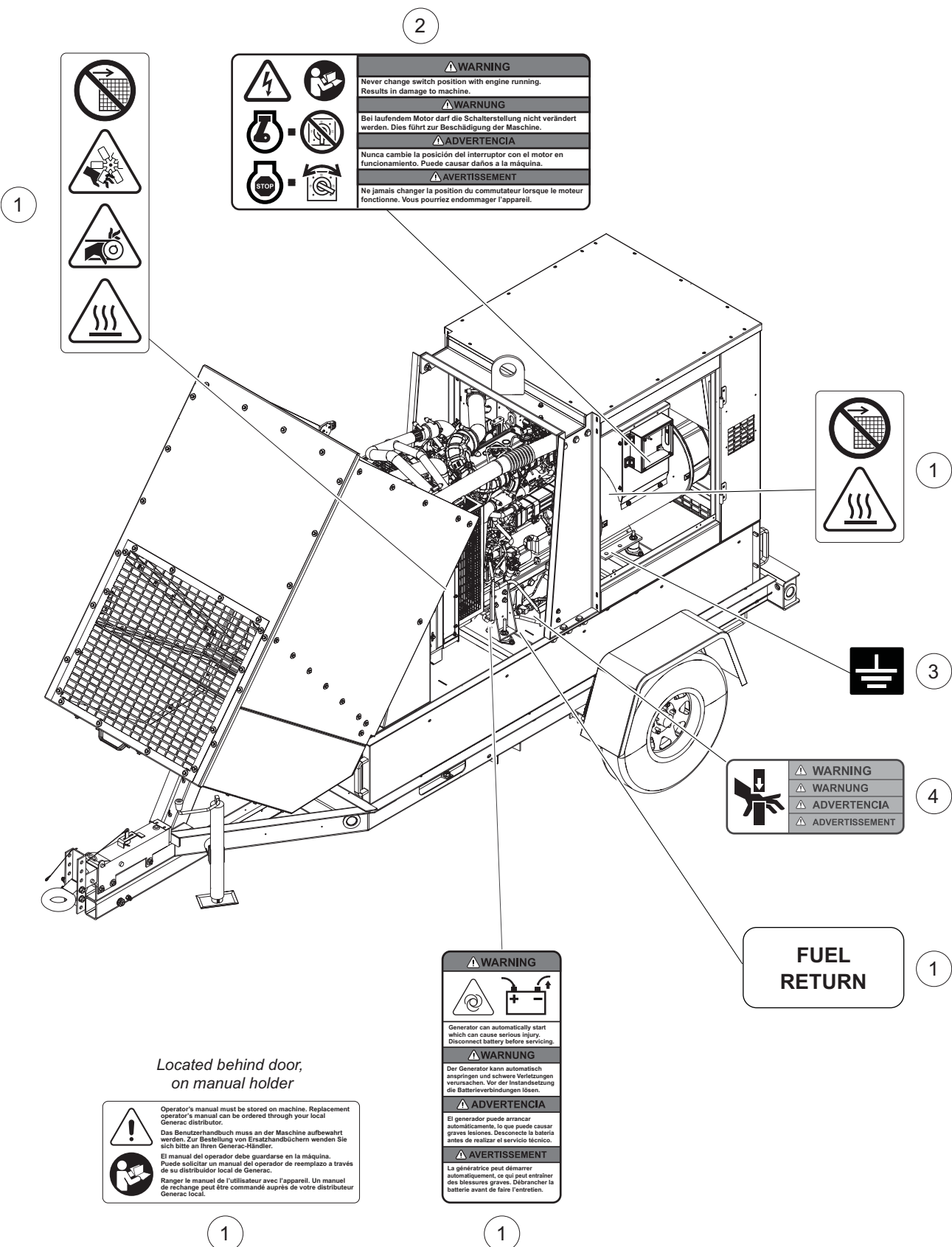
UNIT DECALS - EXTERIOR



UNIT DECALS - EXTERIOR

Item	Part No.	Qty	Description	Notes
1	10000029864	1	Decal set, MDG75 mechanical group	
2	26386	1	Decal, pinch point	

UNIT DECALS - LEFT SIDE INTERIOR



⚠ WARNING
 Never change switch position with engine running. Results in damage to machine.

⚠ WARNUNG
 Bei laufendem Motor darf die Schalterstellung nicht verändert werden. Dies führt zur Beschädigung der Maschine.

⚠ ADVERTENCIA
 Nunca cambie la posición del interruptor con el motor en funcionamiento. Puede causar daños a la máquina.

⚠ AVERTISSEMENT
 Ne jamais changer la position du commutateur lorsque le moteur fonctionne. Vous pourriez endommager l'appareil.

- 1
-
-
-

- 1
-

3

- 4
- ⚠ WARNING**
- ⚠ WARNUNG**
- ⚠ ADVERTENCIA**
- ⚠ AVERTISSEMENT**

1 **FUEL RETURN**

⚠ WARNING
 Generator can automatically start which can cause serious injury. Disconnect battery before servicing.

⚠ WARNUNG
 Der Generator kann automatisch anspringen und schwere Verletzungen verursachen. Vor der Instandsetzung die Batterieverbindungen lösen.

⚠ ADVERTENCIA
 El generador puede arrancar automáticamente, lo que puede causar graves lesiones. Desconecte la batería antes de realizar el servicio técnico.

⚠ AVERTISSEMENT
 La génératrice peut démarrer automatiquement, ce qui peut entraîner des blessures graves. Débranchez la batterie avant de faire l'entretien.

Located behind door, on manual holder

⚠ Operator's manual must be stored on machine. Replacement operator's manual can be ordered through your local Generac distributor.

⚠ Das Benutzerhandbuch muss an der Maschine aufbewahrt werden. Zur Bestellung von Ersatzhandbüchern wenden Sie sich bitte an Ihren Generac-Händler.

⚠ El manual del operador debe guardarse en la máquina. Puede solicitar un manual del operador de reemplazo a través de su distribuidor local de Generac.

⚠ Ranger le manuel de l'utilisateur avec l'appareil. Un manuel de rechange peut être commandé auprès de votre distributeur Generac local.

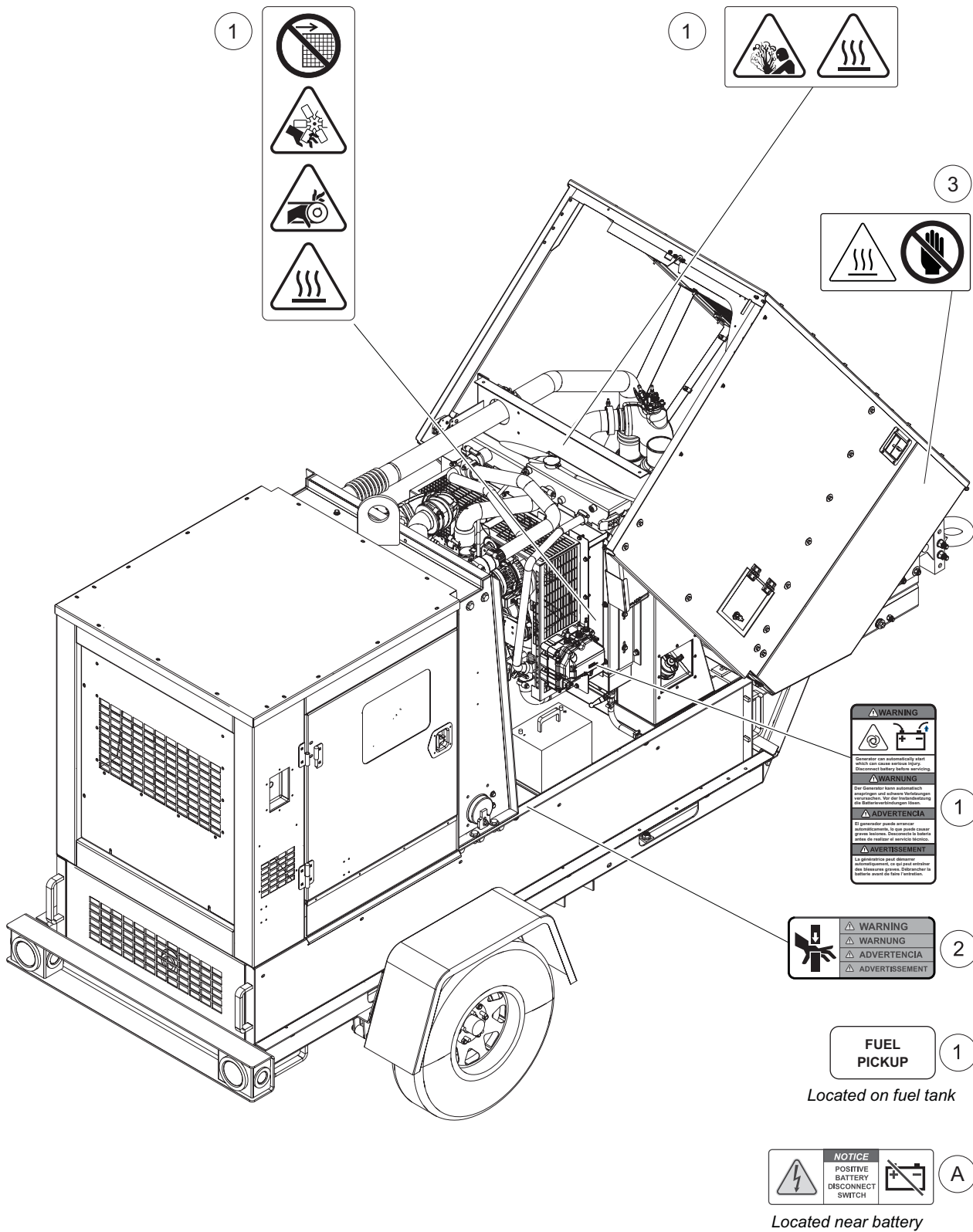
1

1

UNIT DECALS - LEFT SIDE INTERIOR

Item	Part No.	Qty	Description	Notes
1	10000029864	1	Decal set, MDG75 mechanical group	
2	10000024262	1	Decal, phase switch warning	
3	12142	1	Decal, ground	
4	26386	1	Decal, pinch point	

UNIT DECALS - RIGHT SIDE INTERIOR



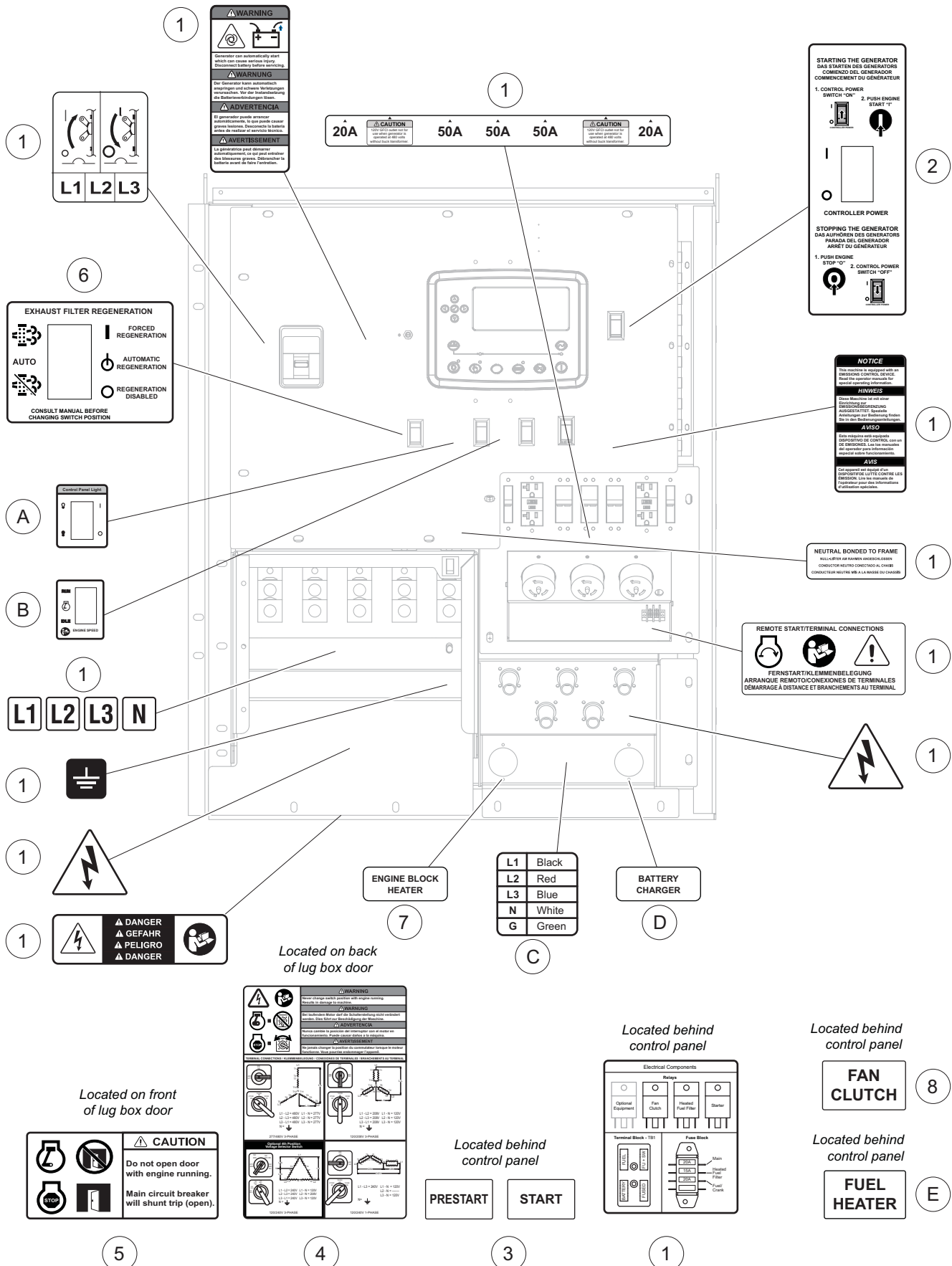
UNIT DECALS - RIGHT SIDE INTERIOR

Item	Part No.	Qty	Description	Notes
1	10000029864	1	Decal set, MDG75 mechanical group	
2	26386	1	Decal, pinch point	
3	51552	1	Decal, high temp	

Positive Battery Disconnect (if equipped):

A	50876	1	Decal, positive battery disconnect	
---	-------	---	------------------------------------	--

UNIT DECALS - CONTROL BOX



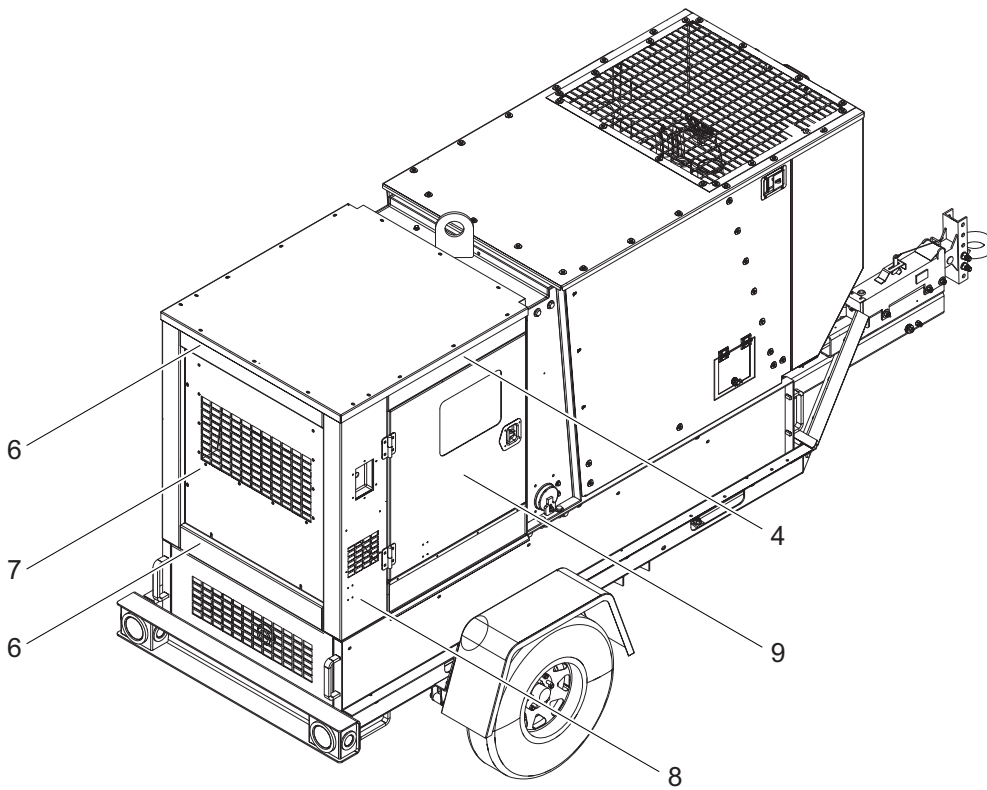
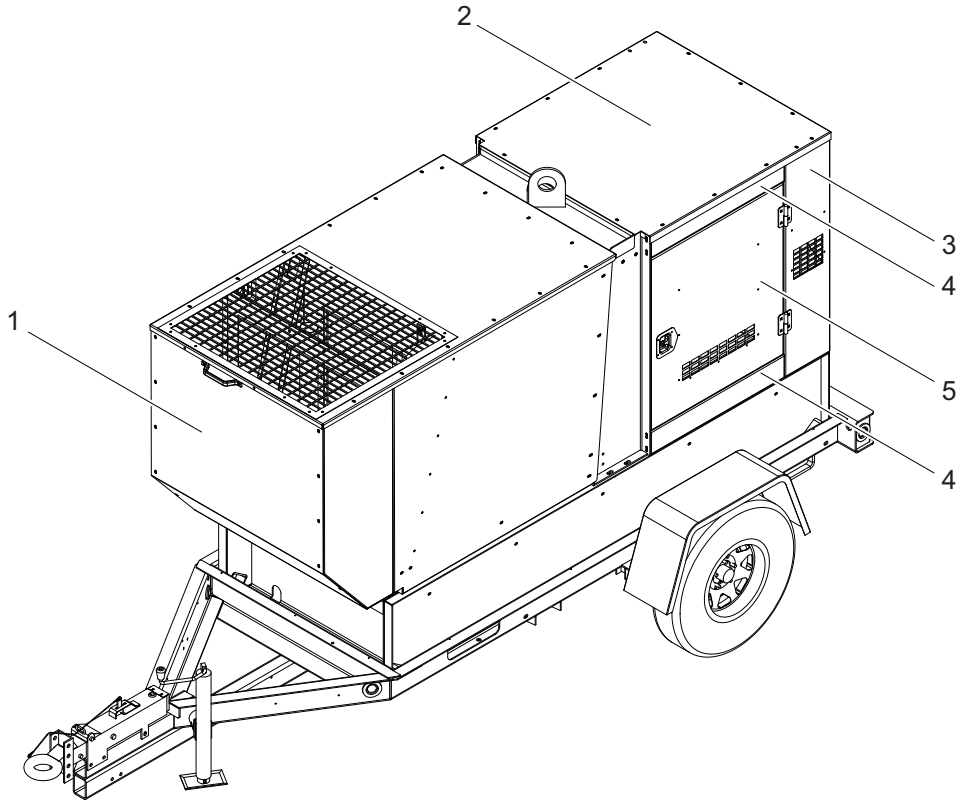
UNIT DECALS - CONTROL BOX

Item	Part No.	Qty	Description	Notes
1	10000029817	1	Decal Set, MDG75 electronic group	
2	10000025043	1	Decal, controller power on/off	
3	31019	1	Decal, relay labeling- start/pre-start	
4	10000023676	1	Decal, phase switch ID - vertical	
5	10000029864	1	Decal Set, MDG75 mechanical group	
6	34064	1	Decal, re-gen switch- SQ cutout	
7	28964	1	Decal, engine block heater	
8	31024	1	Decal, relay labeling - clutch fan	

Optional Equipment:

A	33638	1	Decal, light switch - control panel <i>(if equipped)</i> :
B	10000034625	1	Decal, idle switch control <i>(if equipped)</i> :
C	10000023694	1	Decal, cam lock connect colors <i>(if equipped)</i> :
D	21259	1	Decal, battery charger <i>(if equipped)</i> :
E	10000023908	1	Decal, paralleling output <i>(if equipped)</i> :
F	10000023905	1	Decal, paralleling input <i>(if equipped)</i> :
G	31023	1	Decal, relay labeling - fuel heater <i>(if equipped)</i> :

ENCLOSURE PANELS

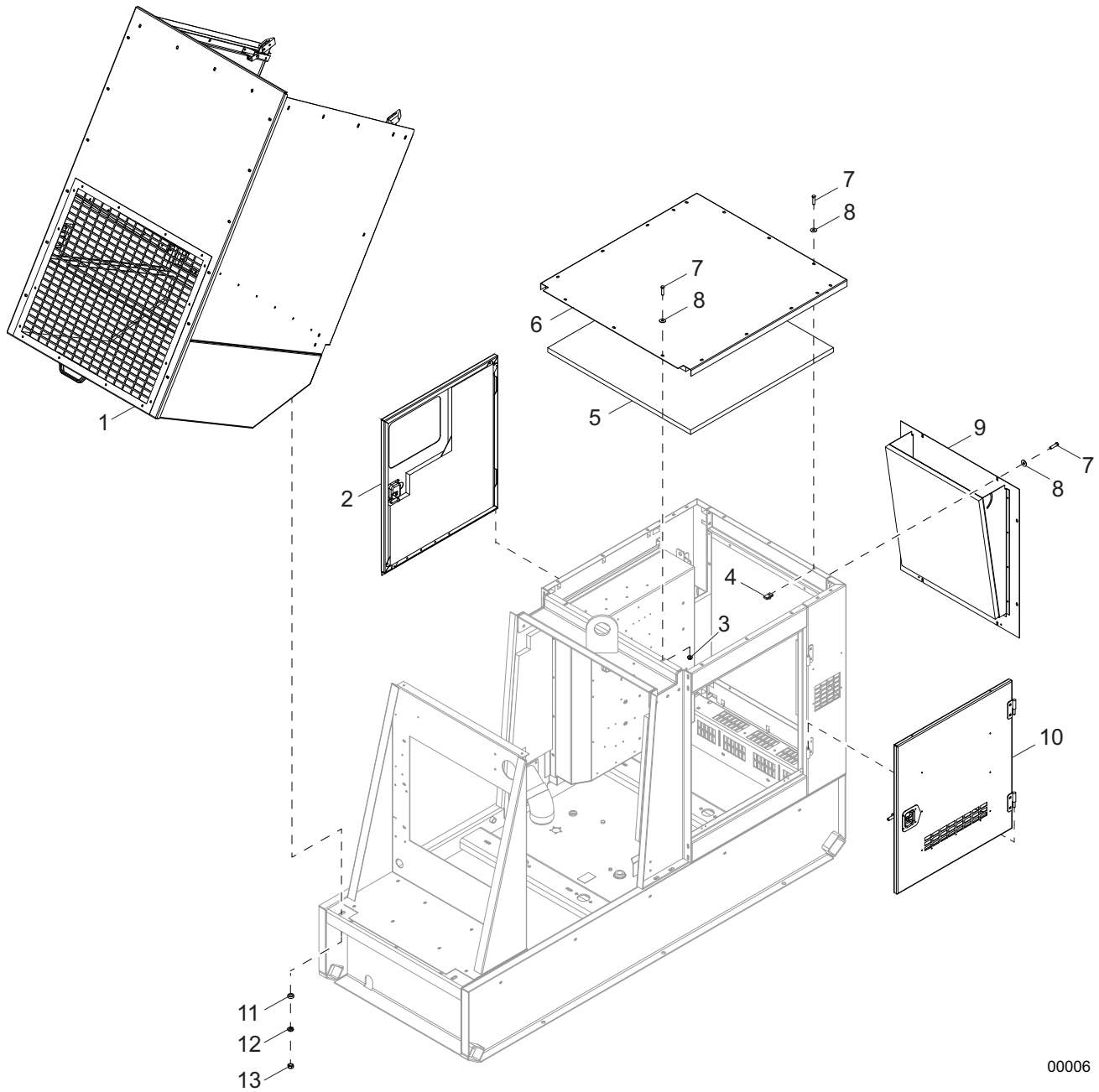


02500

ENCLOSURE PANELS

Item	Part No.	Qty	Description	Notes
1	10000024948	1	Front hood assembly	<i>Page 14</i>
2	32125SRV	1	Roof assembly	<i>Page 12</i>
3	10000024975	1	Left rear corner assembly	<i>Page 28</i>
4	393531	3	Side panel assembly	<i>Page 24</i>
5	10000024976	1	Left rear door assembly	<i>Page 18</i>
6	10000030564	2	End panel assembly	<i>Page 24</i>
7	10000024956	1	Rear panel assembly	<i>Page 22</i>
8	10000024936	1	Right rear corner assembly	<i>Page 30</i>
9	33313SRV	1	Control door assembly	<i>Page 20</i>

DOORS, ROOF, REAR PANEL, AND FRONT HOOD TO UNIT

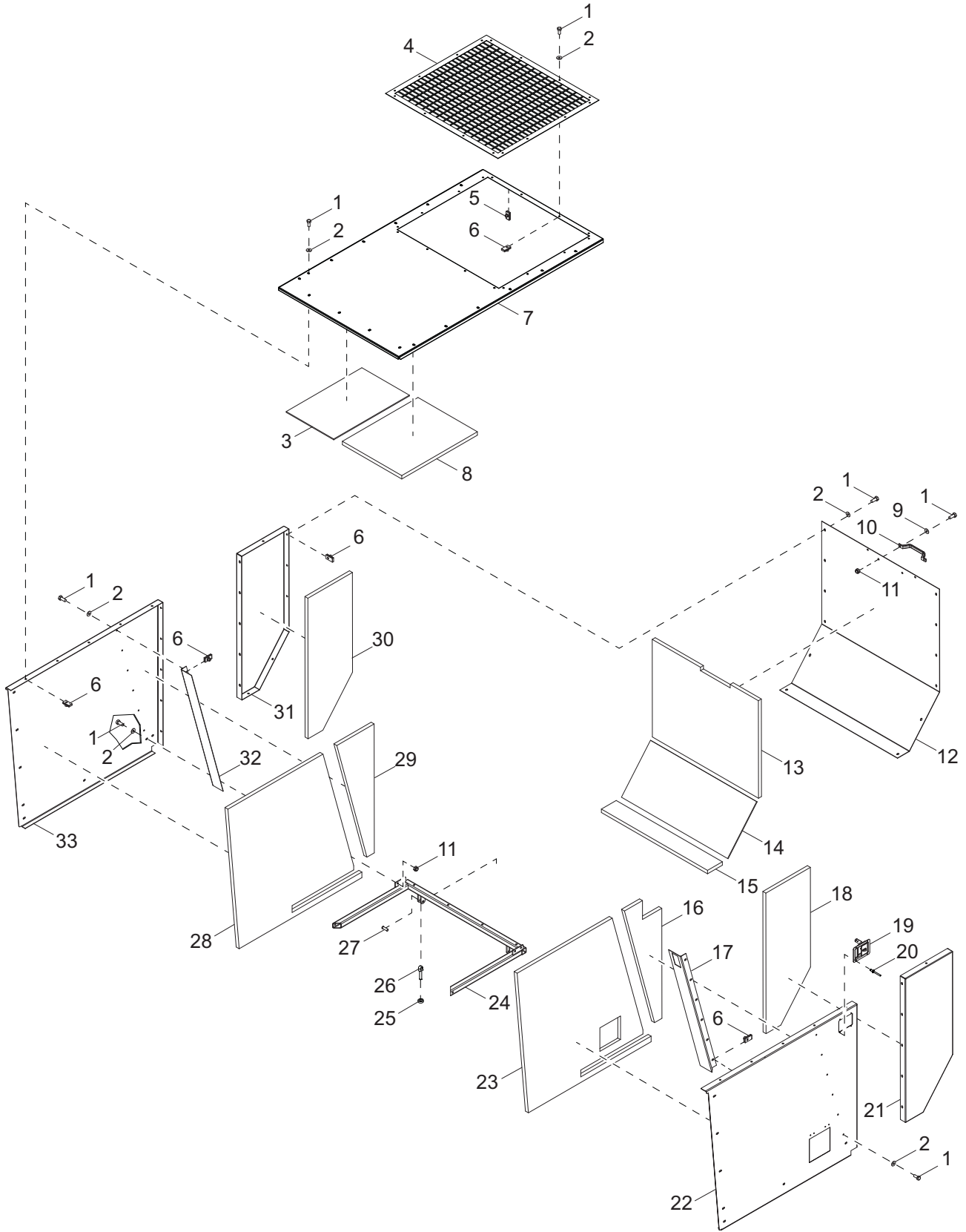


00006

DOORS, ROOF, REAR PANEL, AND FRONT HOOD TO UNIT

Item	Part No.	Qty	Description	Notes
1	10000024948	1	Assembly, front hood	
2	33313SRV	1	Assembly, control door	
3	60095	3	Nut, .312-18 serrated flange	
4	60505	13	Nut, .312-18 U-clip - long type	
5	39802	1	Foam, roof - rear	
6	10000030566	1	Panel, roof	
7	60507	24	Screw, .312-18 x1.0 standard hex, SS	
8	60452	24	Washer, .313 flat 1.125/1.0 bonded rubber, SS	
9	10000030567	1	Assembly, rear panel	
10	10000030557	1	Assembly, left rear door	
11	24748B	2	Spacer, rod end	
12	60702	2	Washer, .500 split lock, SS	
13	60681	2	Nut, .500-13 hex, SS	
--	50187	22.17 ft	Seal, door D-shaped (.750)	Used for doors
--	50358	7.57 ft	Seal, rubber - bubble type (1.00)	Attaches to bulkhead for front hood

FRONT HOOD ASSEMBLY (1 OF 2)

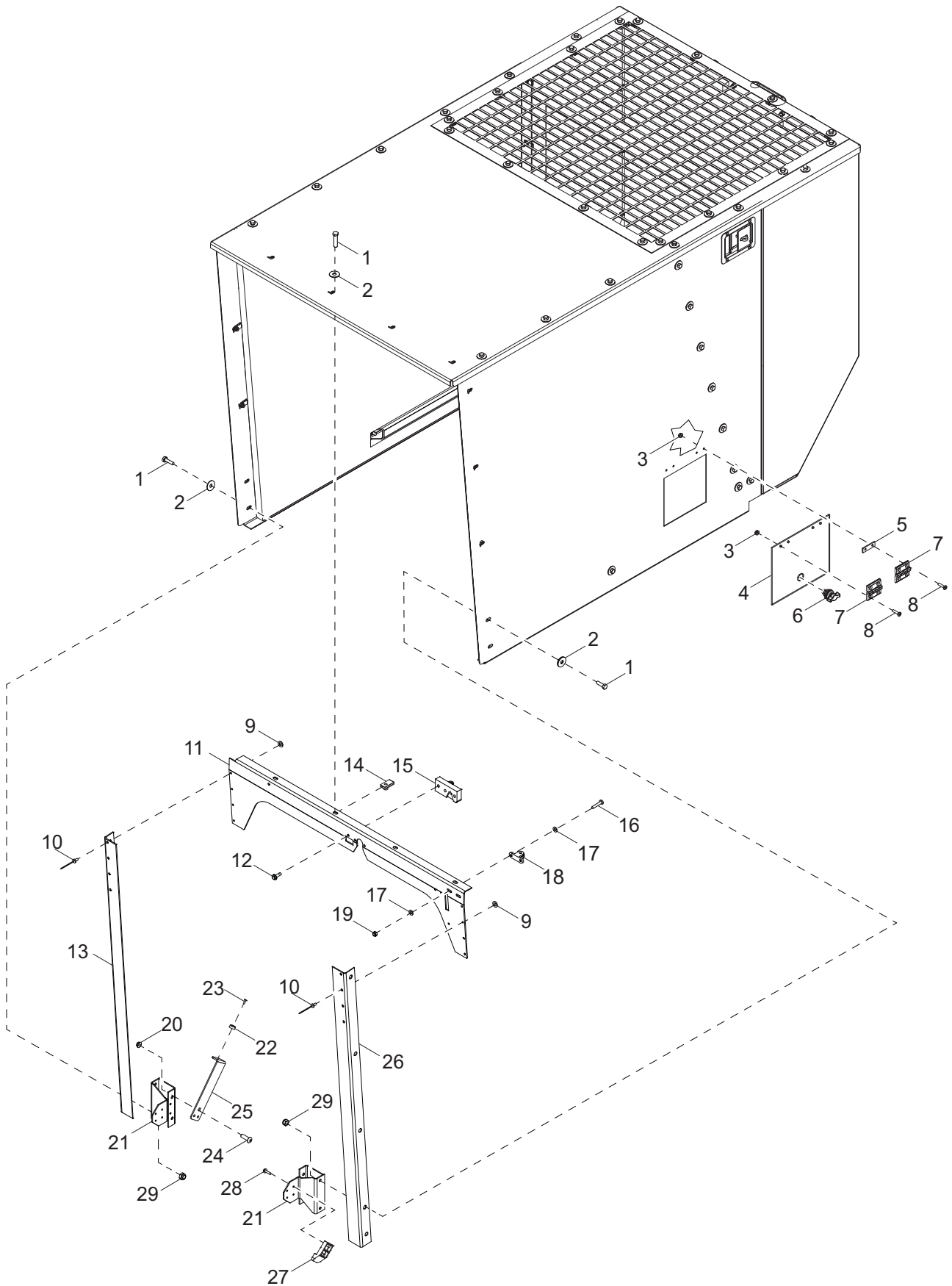


02501

FRONT HOOD ASSEMBLY (1 OF 2)

Item	Part No.	Qty	Description	Notes
1	60507	72	Screw, .312-18 x1.0 standard hex, SS	
2	60452	70	Washer, .313 flat 1.125/1.0 bonded rubber, SS	
3	10000025269	1	Foam, front flip hood, ceramic - top	
4	32723B	1	Panel, exhaust grate	
5	62086	2	Nut, .312-18 U-clip - short type	
6	60505	62	Nut, .312-18 U-clip - long type	
7	32707W	1	Panel, front hood - top	
8	32302SRV	1	Foam, front flip hood - top	
9	60340	2	Washer, .312 flat .875/.040, SS	
10	26288	1	Handle, front hood access	
11	60303	8	Nut, .312-18 nylock, G2	
12	32706W	1	Panel, front hood	
13	32309SRV	1	Foam, front flip hood - front	
14	32822SRV	1	Foam, front flip hood - front top	
15	32823SRV	1	Foam, front flip hood - front bottom	
16	10000024981	1	Foam, front flip hood - right front side	
17	32535W	1	Panel, right inside flip hood	
18	10000028027	1	Foam, front flip hood - right front corner	
19	24676	1	Latch, paddle w/padlock handle	
20	60268	4	Rivet, .188 diameter. x .126 to .250 grip, SS	
21	32717W	1	Panel, right front corner	
22	10000016602	1	Panel, right front side hood	
23	10000027999	1	Foam, front flip hood - right side	
24	30555B	1	Weldment, front hood hinge	
25	24748B	2	Spacer, rod end	
26	60989	2	Bolt, .500-13 x 3.125 rod end	
27	63272	2	Pin, clevis - .500 diameter. x 1.65	
28	10000024993	1	Foam, front flip hood - left side	
29	10000024972	1	Foam, front flip hood - left front side	
30	10000028039	1	Foam, front flip hood - left front corner	
31	32716W	1	Panel, left front corner	
32	32536W	1	Panel, left inside flip hood	
33	30549W	1	Panel, left front side hood	

FRONT HOOD ASSEMBLY (2 OF 2)

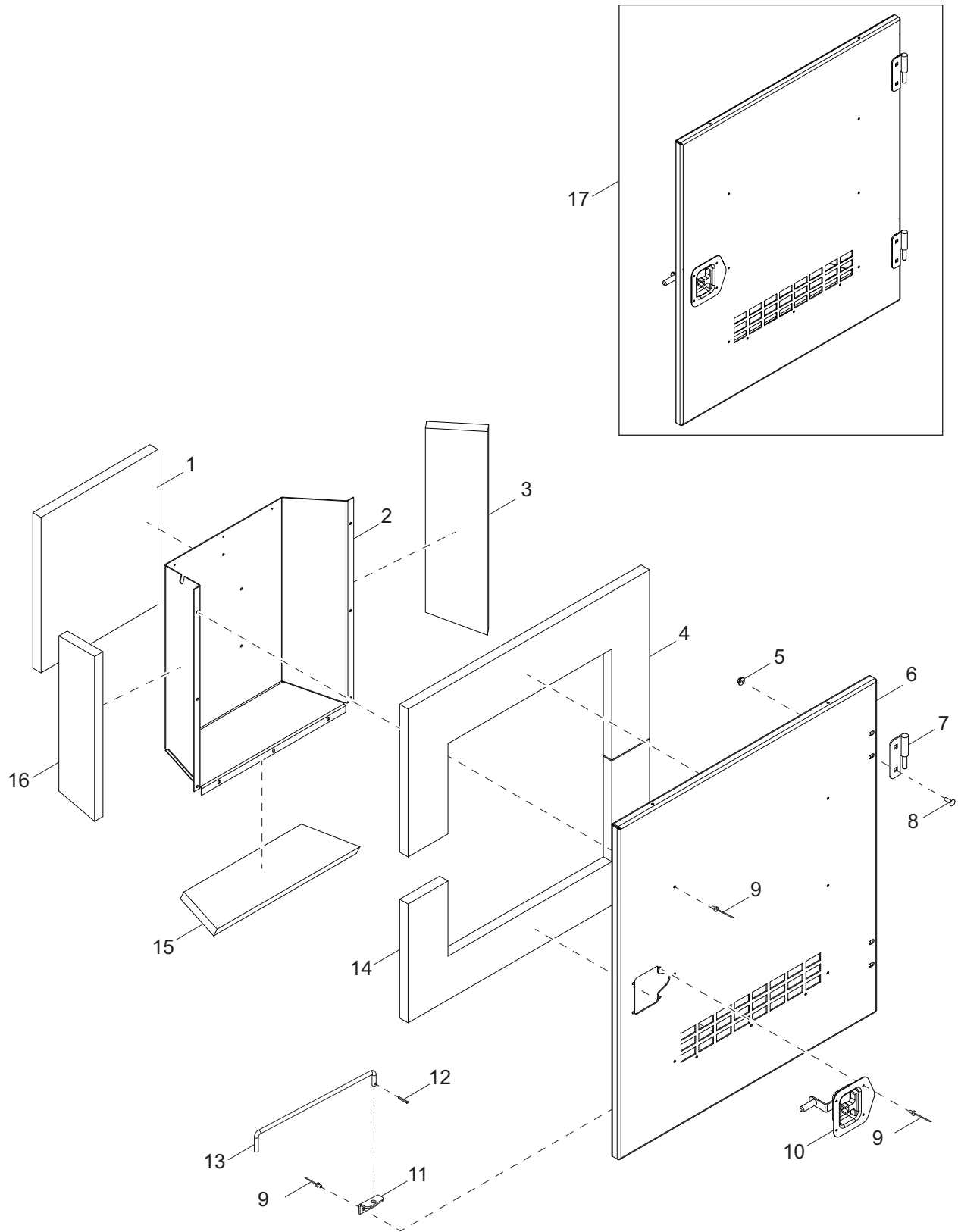


02502

FRONT HOOD ASSEMBLY (2 OF 2)

Item	Part No.	Qty	Description	Notes
1	60507	14	Screw, .312-18 x1.0 standard hex, SS	
2	60452	14	Washer, .313 flat 1.125/1.0 bonded rubber, SS	
3	60530	8	Nut, 10-24 nylock - SS	
4	10000018243	1	Door, DEF fill	
5	10000022153	2	Spacer	
6	76945	1	Latch, wing knob	
7	35394	2	Hinge, door small	
8	35290	8	Screw, 10-24 x 1.00 flat head Phillips	
9	60041	8	Washer, M5 flat	
10	60268	8	Rivet, .188 diameter. x .126 to .250 grip, SS	
11	30547B	1	Bracket, top sealing - front	
12	60523	3	Screw, .250 x 20-.875 serrated flange hex	
13	49981B	1	Bracket, side sealing	
14	60505	10	Nut, .312-18 U-clip - long type	
15	26287	1	Latch, remote right w/spring return	
16	60062	2	Screw, 10-32 x .750 pan Phillips, G2	
17	60067	4	Washer, #10 flat .435/.060, SS	
18	24441	1	Pulley, cable - .750 in	
19	60061	2	Nut, 10-32 nylock	
20	60095	2	Nut, .312-18 serrated flange	
21	24450B	2	Weldment, hood locator	
22	15215	2	Rubber bumper	
23	60267	2	Rivet, .125 diameter. x .191 to .270 grip, alum	
24	60654	2	Screw, .312-18 x 1.0 button hex, SS	
25	35107B	2	Bracket, hood stop	
26	30548B	1	Bracket, side sealing - RH	
27	30249	2	Shoe, hood guide	
28	60426	4	Screw, 8-18 x .750 flange hex, thread forming, G2	
29	60303	4	Nut, .312-18 nylock, G2	

LEFT REAR DOOR ASSEMBLY

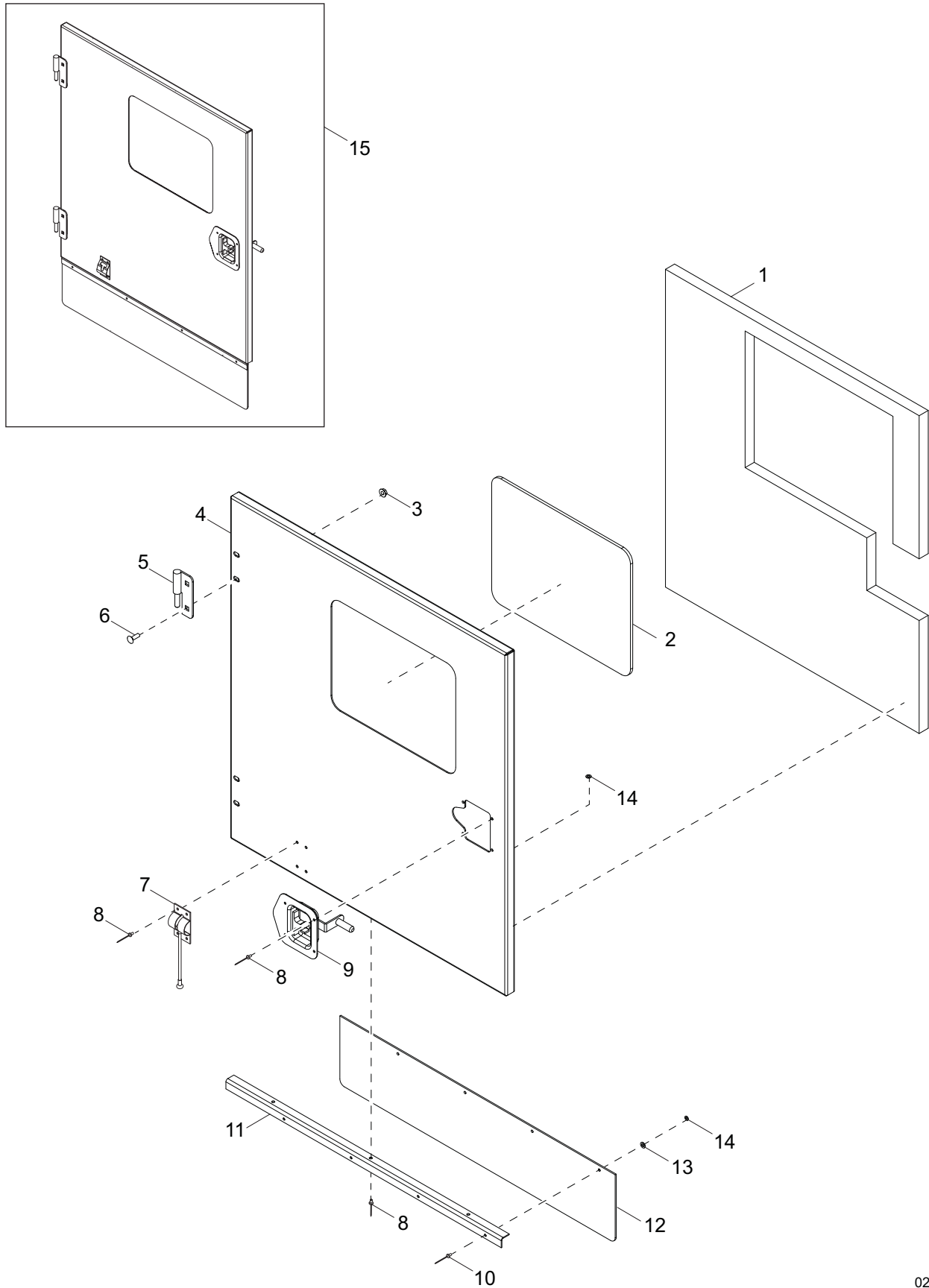


02503

LEFT REAR DOOR ASSEMBLY

Item	Part No.	Qty	Description	Notes
1	10000030602	1	Foam, duct - face	
2	26509W	1	Duct, door	
3	26518SRV	1	Foam, duct - left	
4	10000024991	1	Foam, door - top	
5	60095	4	Nut, .312-18 serrated flange	
6	32121W	1	Panel, door	
7	18461	2	Hinge, left (male)	
8	61066	4	Screw, .312-18 x 1.0 carriage SS	
9	60268	15	Rivet, .188 diameter. x .126 to .250 grip, SS	
10	22497	1	Latch, T-handle - left cw lock	
11	20916Z	1	Bracket, prop rod	
12	60048	1	Pin, roll - .125 x .625	
13	18900ZC	1	Rod, door prop	
14	10000024992	1	Foam, door - bottom	
15	26519SRV	1	Foam, duct - bottom	
16	21121SRV	1	Foam, duct - right	
17	10000030557	1	Assembly, door, left rear	

CONTROL DOOR ASSEMBLY

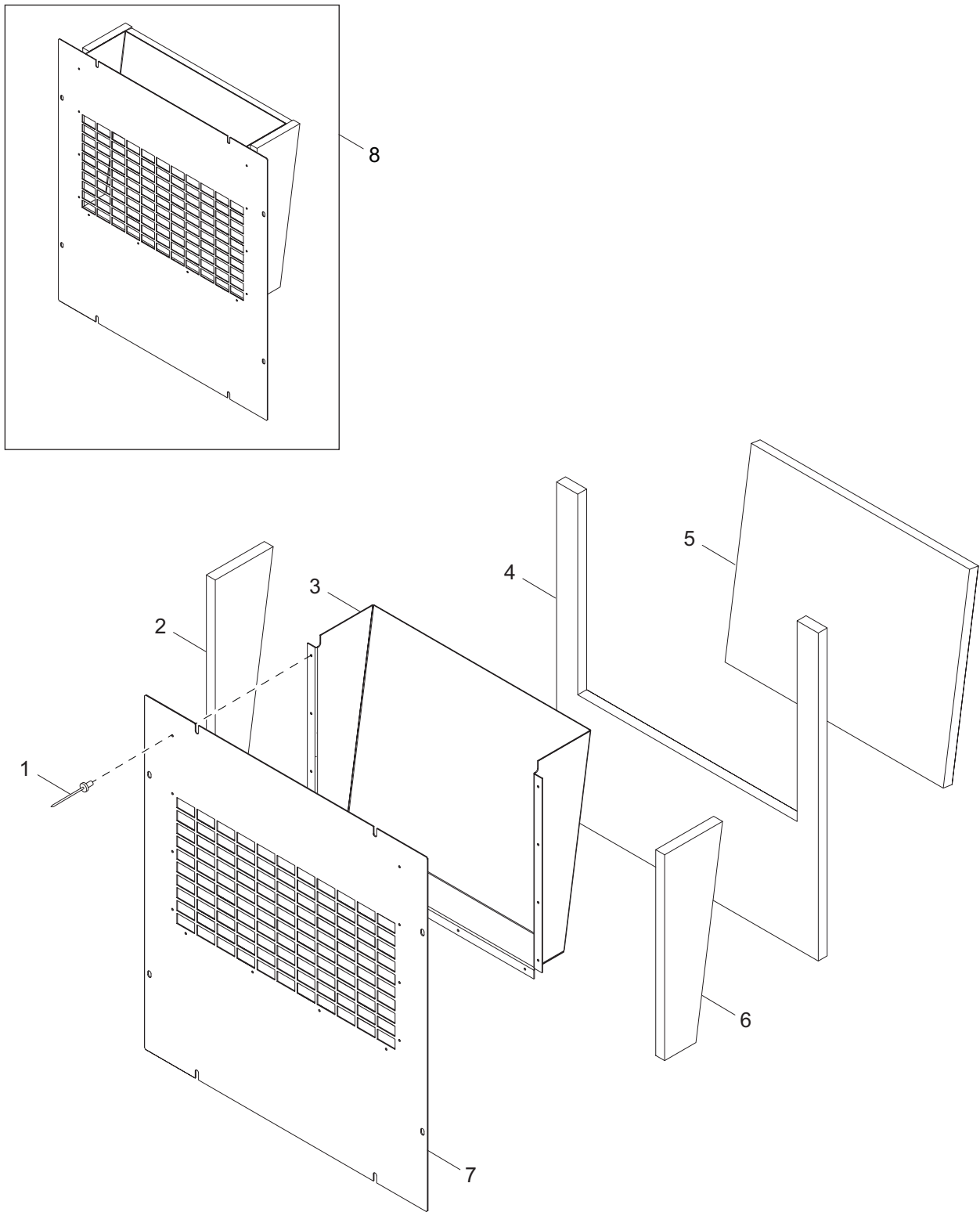


02504

CONTROL DOOR ASSEMBLY

Item	Part No.	Qty	Description	Notes
1	10000024982	1	Foam, control door	
2	33642	1	Window, control door - UV	
3	60095	4	Nut, .312-18 serrated flange	
4	33312W	1	Door, control	
5	18459	2	Hinge, right (male)	
6	61066	4	Screw, .312-18 x 1.0 carriage SS	
7	62225	1	Latch, door - stainless cable w/ball	
8	60268	11	Rivet, .188 diameter. x .126 to .250 grip, SS	
9	22497	1	Latch, T-handle - left cw lock	
10	60260	4	Rivet, .188 diameter. x .375 to .500 grip, SS	
11	32472B	1	Bracket, door flap	
12	34408	1	Flap, control door	
13	60696	4	Washer, .250 flat .625/.050, SS	
14	60067	7	Washer, #10 flat .435/.060, SS	
15	33313SRV	1	Assembly, control door	

REAR PANEL ASSEMBLY

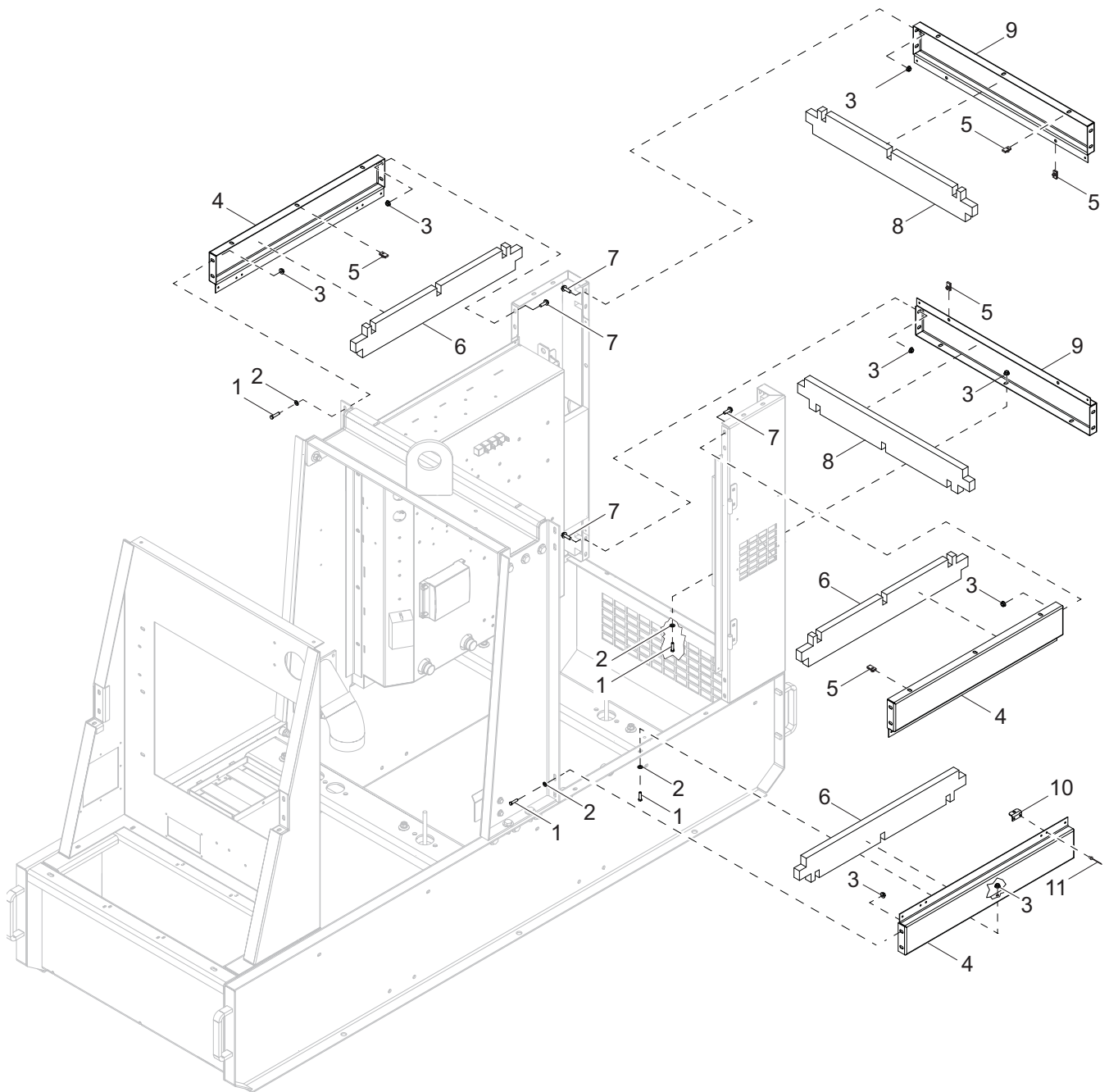


02506

REAR PANEL ASSEMBLY

Item	Part No.	Qty	Description	Notes
1	60268	12	Rivet, .188 dia. x .126 to .250 grip, SS	
2	10000024974	1	Foam, rear duct - right	
3	10000015222	1	Duct, rear	
4	10000025002	1	Foam, rear panel	
5	10000024983	1	Foam, rear duct	
6	10000024994	1	Foam, rear duct - left	
7	10000015220	1	Panel, rear	
8	10000024956	1	Assembly, rear vent	

END AND SIDE PANELS TO UNIT

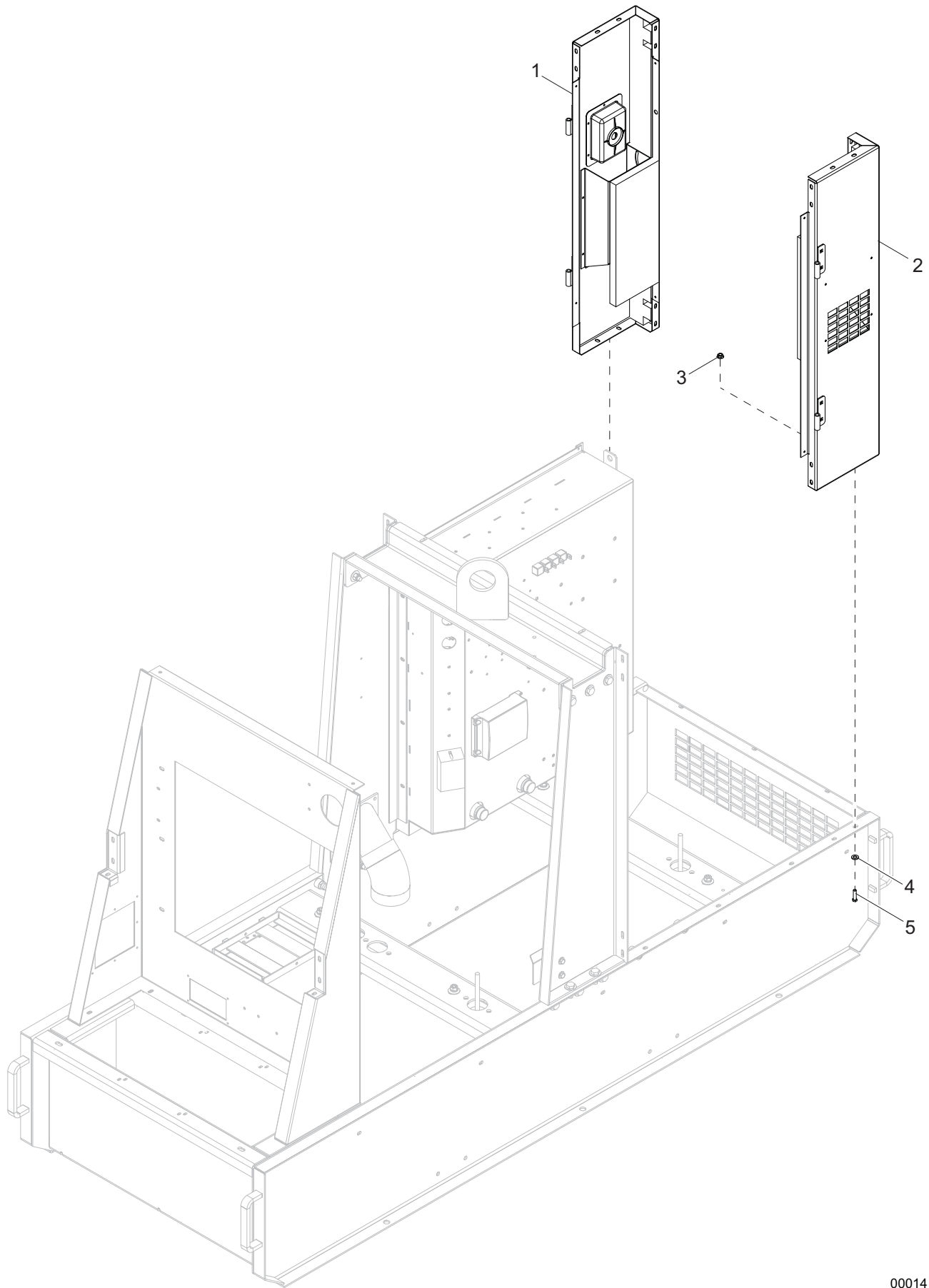


00013

END AND SIDE PANELS TO UNIT

Item	Part No.	Qty	Description	Notes
1	60507	12	Screw, .312-18 standard hex, SS	
2	60340	12	Washer, .312 flat .875/.040, SS	
3	60095	26	Nut, .312-18 serrated flange	
4	32124W	3	Panel, side	2 for paralleling
5	60505	13	Nut, .312-18 U-clip - long type	
6	32286SRV	3	Foam, side panel	
7	61091	14	Screw, .312-18 x 1.0 serrated flange hex, G5	
8	30402SRV	2	Foam, end panel	
9	30401W	2	Panel, end	
10	20916Z	1	Bracket, prop rod	
11	60268	2	Rivet, .188 dia. x .126 to .250 grip, SS	

REAR CORNER PANELS TO UNIT

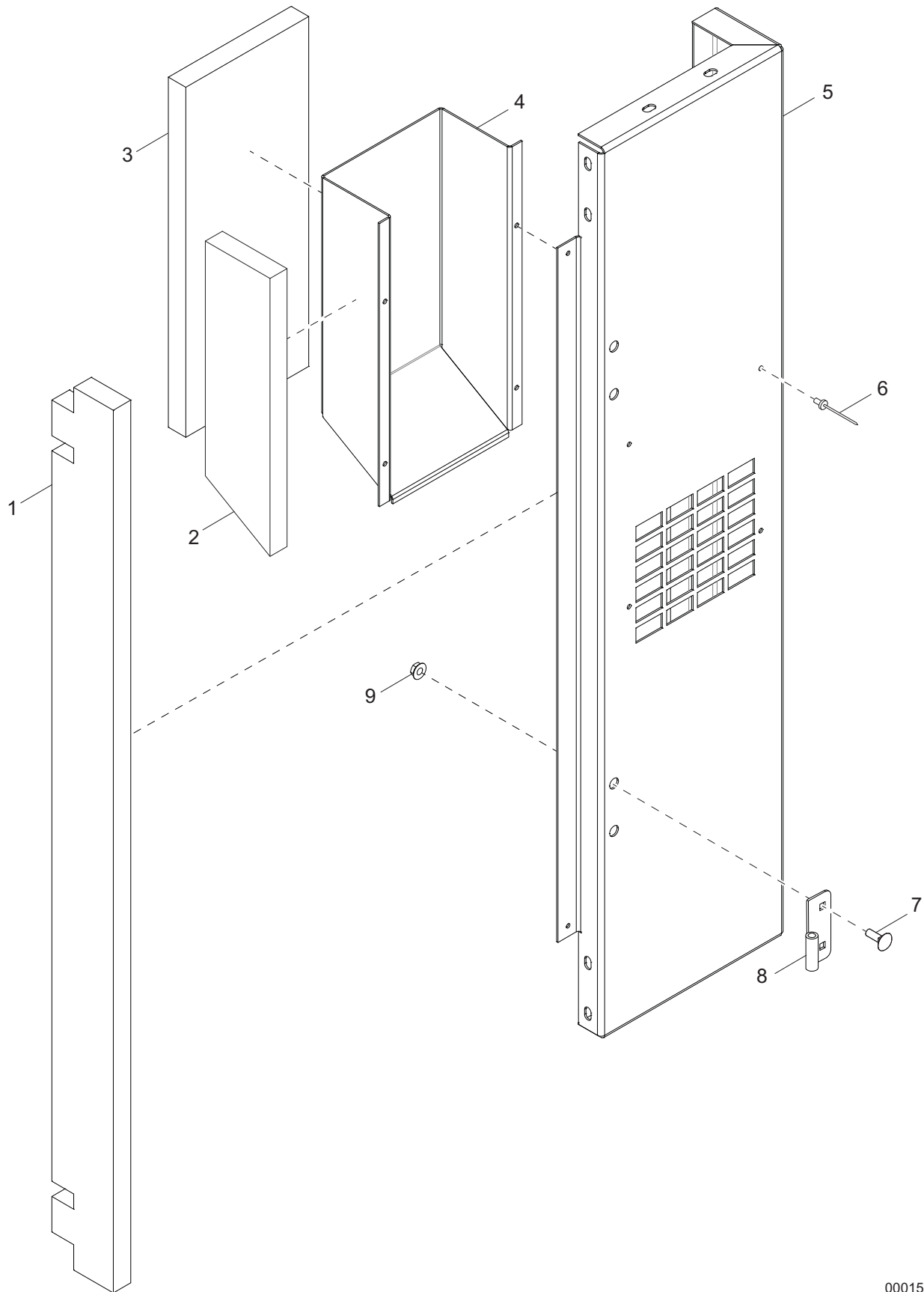


00014

REAR CORNER PANELS TO UNIT

Item	Part No.	Qty	Description	Notes
1	10000024936	1	Assembly, right rear corner	
2	10000024975	1	Assembly, left rear corner	
3	60095	4	Nut, .312-18 serrated flange	
4	60340	4	Washer, .312 flat .875/.040, SS	
5	60507	4	Screw, .312-18 standard hex, SS	

LEFT REAR CORNER ASSEMBLY

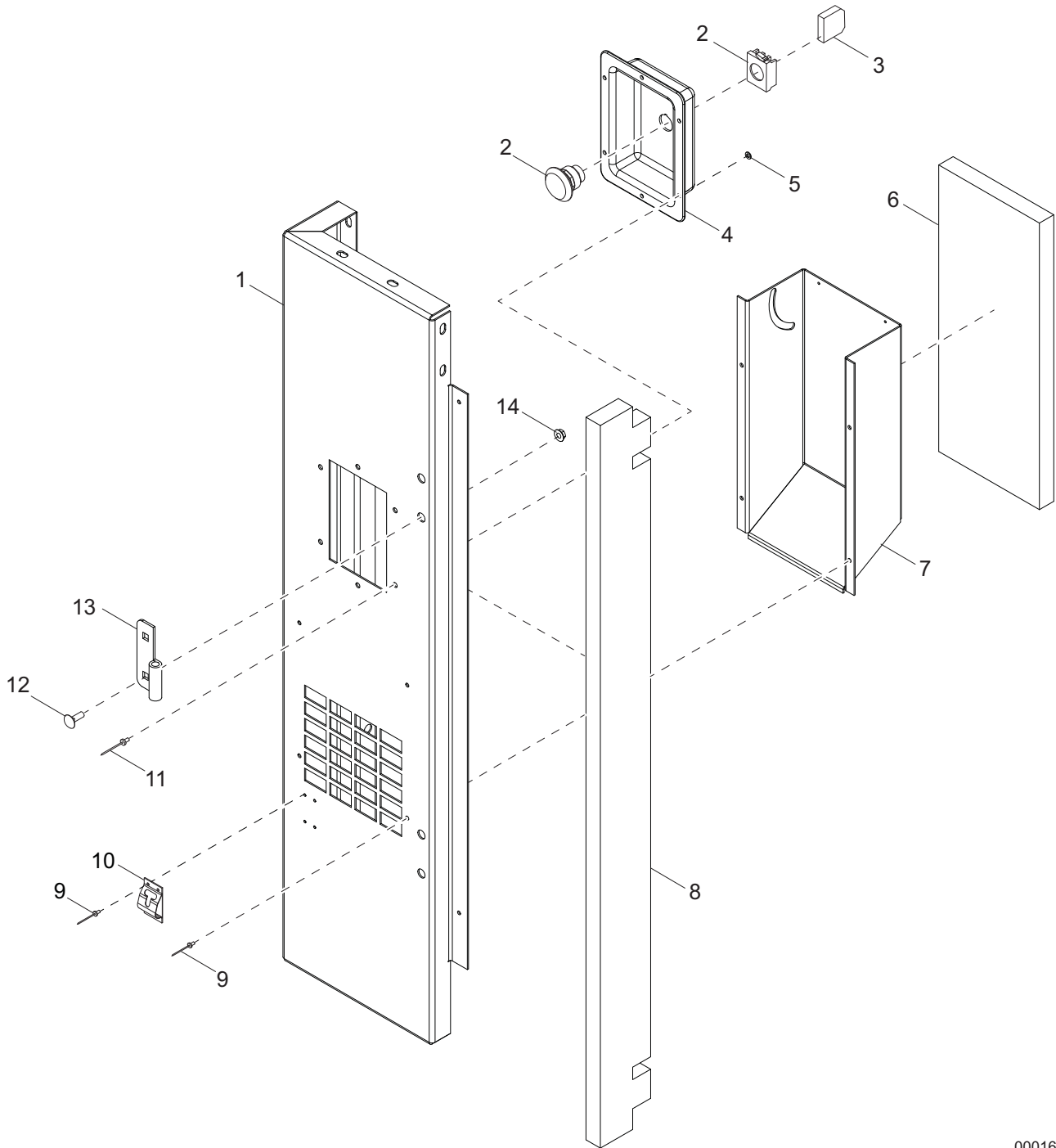


00015

LEFT REAR CORNER ASSEMBLY

Item	Part No.	Qty	Description	Notes
1	20795SRV	1	Foam, corner common	
2	10000024971	1	Foam, duct - side	
3	20798SRV	1	Foam, duct - face	
4	20677W	1	Duct, rear air	
5	32107W	1	Panel, left rear	
6	60268	4	Rivet, .188 dia. x .126 to .250 grip, SS	
7	61066	4	Screw, .312-18 x 1.0 carriage SS	
8	18460	2	Hinge, left (female)	
9	60095	4	Nut, .312-18 serrated flange	

RIGHT REAR CORNER ASSEMBLY

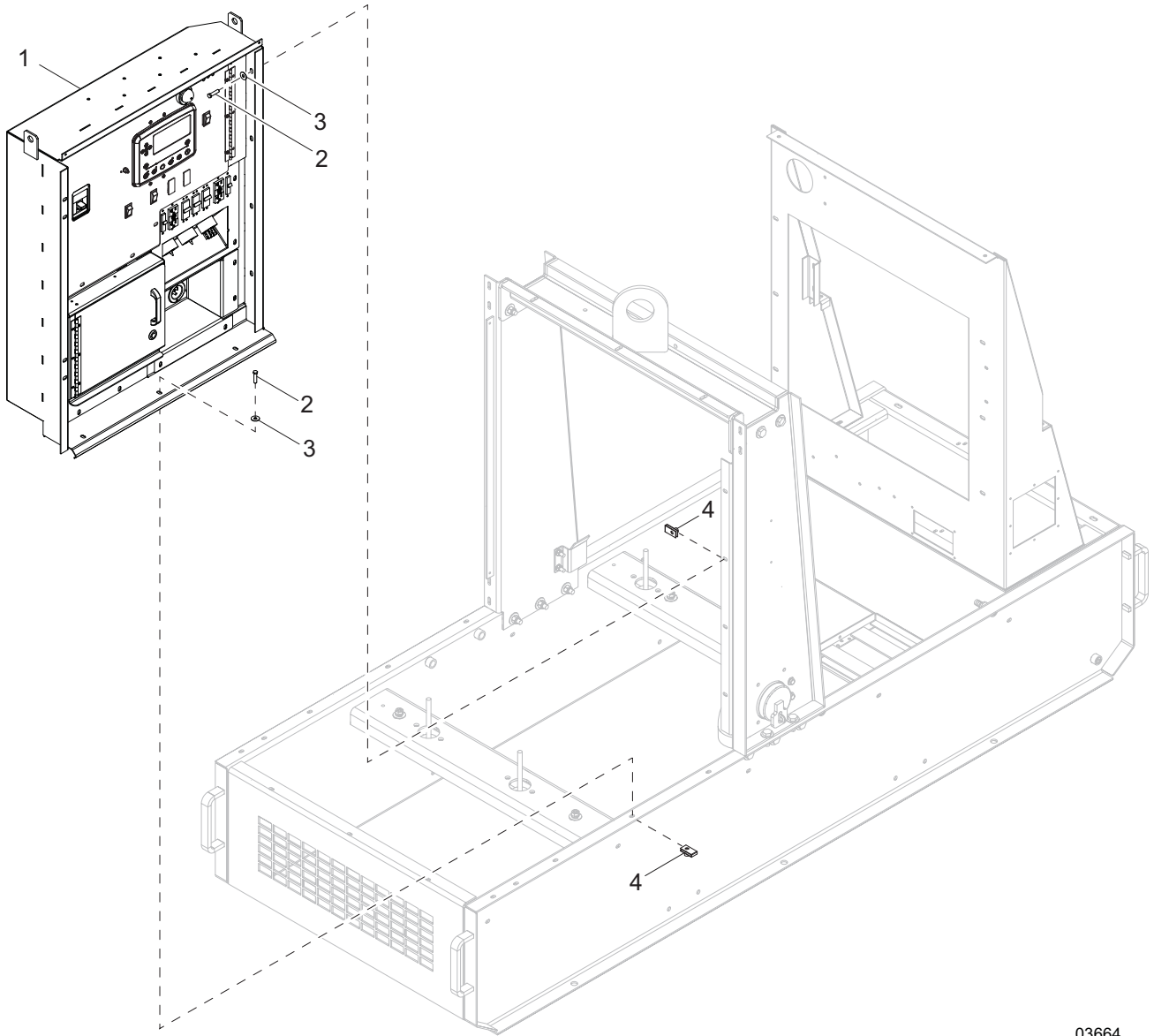


00016

RIGHT REAR CORNER ASSEMBLY

Item	Part No.	Qty	Description	Notes
1	32161W	1	Panel, right rear	
2	65470	1	Switch, E-stop operator	
3	65580	1	Block, E-stop contactor	
--	34989SRV	1	Assembly, E-stop switch	
4	30645	1	Panel, emergency stop	
5	60041	6	Washer, M5 flat	
6	20798SRV	1	Foam, duct	
7	20677W	1	Duct, rear air	
8	20795SRV	1	Foam, corner common	
9	60268	8	Rivet, .188 diameter. x .126 to .250 grip, SS	
10	62225	1	Latch, door - SS	
11	60260	6	Rivet, .188 diameter. x .375 to .500 grip, SS	
12	61066	4	Screw, .312-18 x 1.00 carriage SS	
13	18462	2	Hinge, right (female)	
14	60095	4	Nut, .312-18 serrated flange	

CONTROL BOX TO UNIT

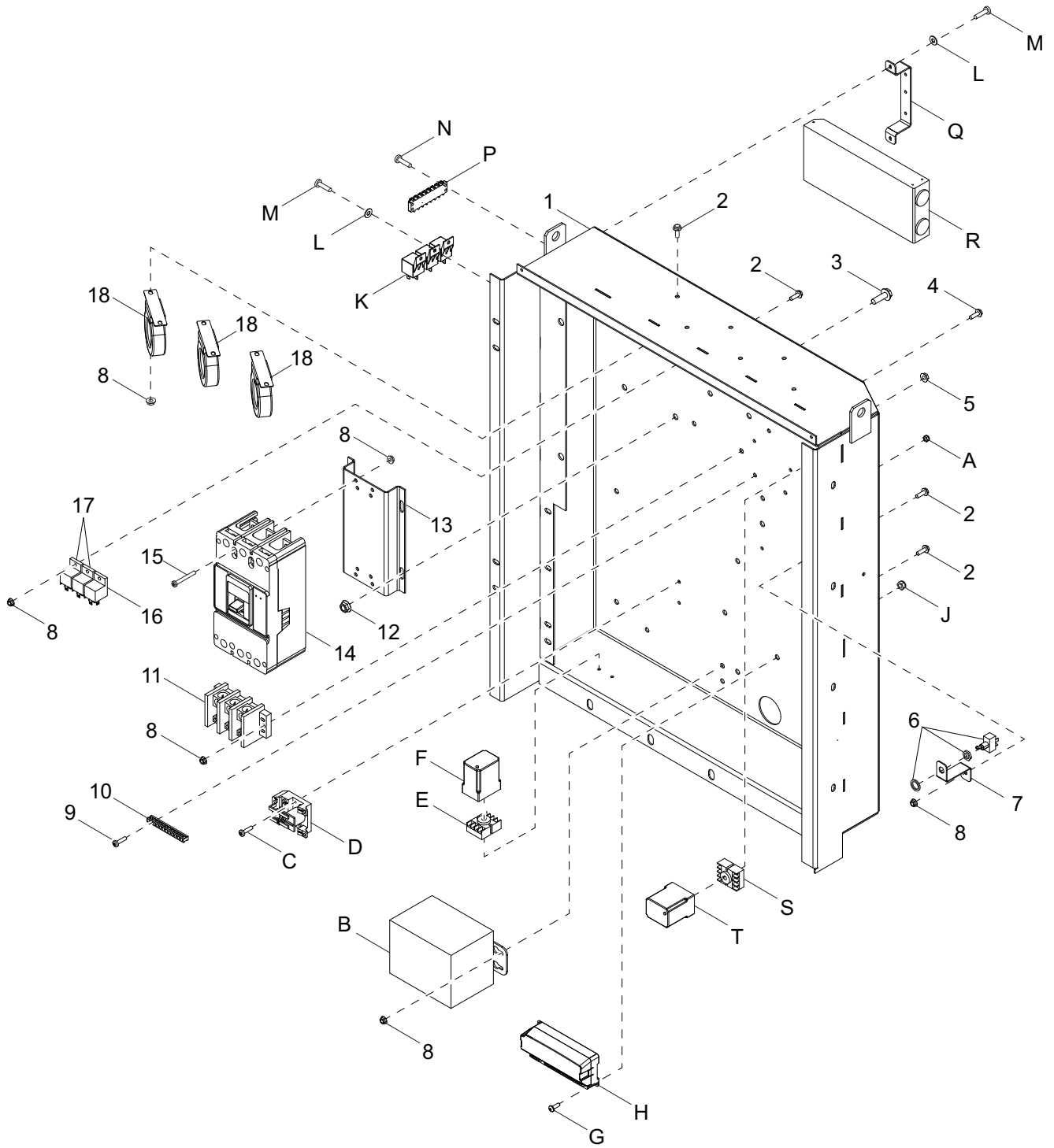


03664

CONTROL BOX TO UNIT

Item	Part No.	Qty	Description	Notes
1	A0001582137	1	Assembly, control box	
2	60507	7	Screw, .312-18 x 1.0 standard hex, SS	
3	60452	7	Washer, .313 flat 1.125/1.0 bonded rubber, SS	
4	60505	7	Nut, .312-18 U-clip - long type	

CONTROL BOX ASSEMBLY (1 OF 2)



02694

CONTROL BOX ASSEMBLY (1 OF 2)

Item	Part No.	Qty	Description	Notes
1	33160B	1	Weldment, control box	
2	60175	10	Screw, .250-20 x .500 pan Phillips - SS	
3	60517	4	Screw, .375-16 x 1.0 serrated flange hex	
4	60479	2	Screw, .250-20 x 1.0 serrated flange hex, G5	
5	60457	2	Nut, 10-24 nylock, G2	
6	25077	1	Switch, toggle - SPST 20A VAC	
7	32734ZY	1	Bracket, ECU power switch	
8	60161	16	Nut, .250-20 serrated flange, G5	
9	60406	2	Screw, 8-32 x 1.0 pan Phillips, G2	
10	14204	1	Kit, ground bar	
11	65356	1	Block, terminal - 3-pole, Bussman	
12	60145	14	Nut, .375-16 serrated flange, G5	
13	18019B	1	Bracket, breaker mounting	
14	65372	1	Breaker, 300A, 12-24VDC shunt trip	
15	60143	4	Screw, .250-20 x 2.0 pan Phillips, G5	
16	66455	1	Relay, 12V, 70A, NC/80A - NO w/diode	
17	65049	2	Relay, 12V, 30/40A, NO w/diode	
18	65443	3	Transformer, current (500:5A)	
--	18496	1	Fitting, bushing - 2.50 OD x 2.0 ID	

Buck Transformer (if equipped):

A	60061	2	Nut, 10-32 nylock
B	21487	1	Transformer, 1.13:1 1 phase, 500VA
C	60396	2	Screw, 10-32 x 1.250 pan Phillips, G2
D	65461	1	Relay, 30A DPDT 120VAC power
E	65644	1	Base, relay - 8 position
F	66340	1	Relay, voltage sensing (132 in, 126 out)
--	65674	2	Stop, 35mm din rail end
--	60398	2	Screw, 10-32 x .500 pan Phillips, SS
--	66003	1	Rail, din - 35mm x 6.0 in
--	61045	2	Nut, 10-32 serrated flange
--	67077	1	Wire group, buck transformer

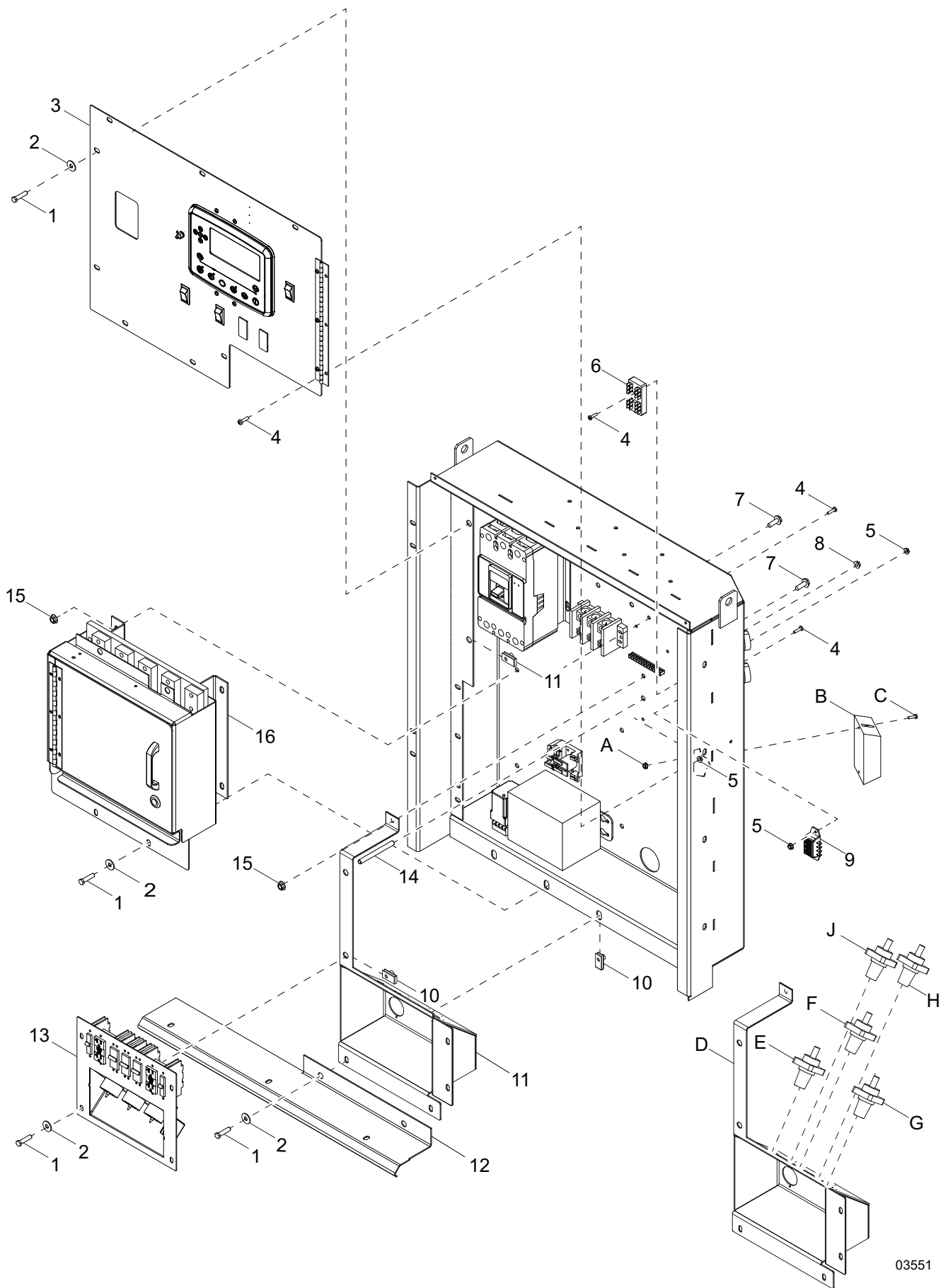
Fuel Access (if equipped):

G	62054	2	Screw, 8-32 x .500 pan Phillips - SS
H	67066	1	Module, output expansion
J	60270	4	Nut, .8-32 nylock, G6
K	G052844	3	Relay, panel 12VDC SPDT 30A
L	60237	7	Washer, flat .495/.036
M	60850	7	Screw, 10-24 x .750 pan Phillips, G2
N	60488	2	Screw, 8-32 x .750 pan Phillips, G2
P	G047822	1	Block terminal, 20A x 6 x 1100V
Q	10000035480	2	Bracket, AC-DC converter
R	10000035271	1	Converter, AC to DC 90-264VAC-24VDC 40A
--	60457	7	Nut, 10-24 nylock, G2

V-Flex Generator (if equipped):

S	65644	1	Base, relay - 8 position
T	66340	1	Relay, voltage sensing (132 in, 126 out)

CONTROL BOX ASSEMBLY (2 OF 2)



03551

CONTROL BOX ASSEMBLY (2 OF 2)

Item	Part No.	Qty	Description	Notes
1	60507	18	Screw, .312-18 x 1.0 standard hex, SS	
2	60452	18	Washer, .313 flat 1.125/1.0 bonded rubber, SS	
3	N/A	1	Assembly, control panel	
4	60398	11	Screw, 10-32 x .500 pan Phillips, SS	
5	61045	11	Nut, 10-32 serrated flange	
6	66992	1	Block, terminal - 4 x 6 push-on	
7	60517	5	Screw, .375-16x1.0 serrated flange hex	
8	60020	1	Nut, M8-1.25 serrated flange, G8.8	
9	66991	1	Holder, fuse - 4 bank, ATO/ATC push-on	
10	60505	12	Nut, .312-18 U-clip - long type	
11	33468W	1	Panel, without cam lock	
12	30166B	1	Panel, cable guard	
13	10000030583	1	Assembly, outlet panel	
14	18992	1	Stud, ground - M8-1.25 x 100 mm	
15	60145	5	Nut, .375-16 serrated flange, G5	
16	10000030559	1	Assembly, lug box	
--	A0000463216	1	Harness, control box	

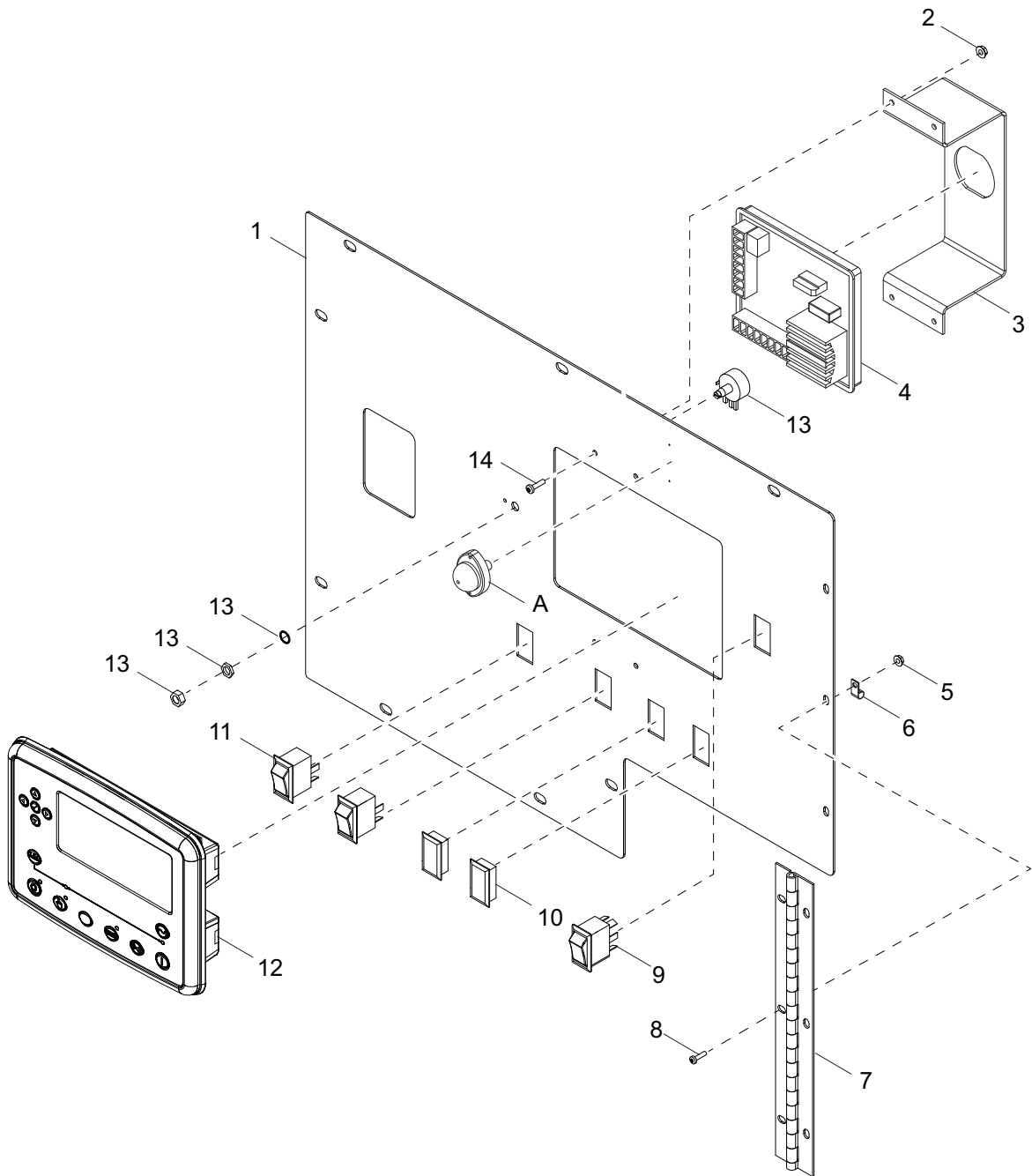
Battery Charger (if equipped):

A	61045	2	Nut, 10-32 serrated flange
B	66212	1	Charger, battery - 2A 3 stage
C	60648	2	Screw, 10-32x.500 pan Phillips, G2

Cam Locks (if equipped)

D	33444W	1	Panel, cam lock
E	65551	1	Connector, cam lock flange female, 400A, black
F	65552	1	Connector, cam lock flange female, 400A, red
G	65553	1	Connector, cam lock female, 400A, blue
H	66040	1	Connector, cam lock female, 400A, white
J	66041	1	Connector, cam lock female, 400A, green
--	67076	1	Wire group, cam locks

CONTROL PANEL ASSEMBLY



03550

CONTROL PANEL ASSEMBLY

Item	Part No.	Qty	Description	Notes
1	A0000175361	1	Panel, control - digital	
2	60457	4	Nut, 10-24 nylock, G2	
3	34687W	1	Bracket, PM500/PM600	
4	36364	1	Regulator, voltage - PM600	
5	61045	3	Nut, 10-32 serrated flange	
6	16143	2	Clamp, tubing - .500	
7	19028	1	Hinge, lug door - 12.38	
8	60398	3	Screw, 10-32 x .500 pan Phillips, SS	
9	66996	1	Switch, rocker - on/-/off	
10	34439	2	Plug, panel switch - 1.91x.96	
11	66995	2	Switch, rocker - on/-/off	
12	A0000223091	1	Controller, MKII 7310 - programmed	call for information
13	18113	1	Assembly, potentiometer	
14	60068	4	Screw, 10-24 x .500 pan Phillips, G2	

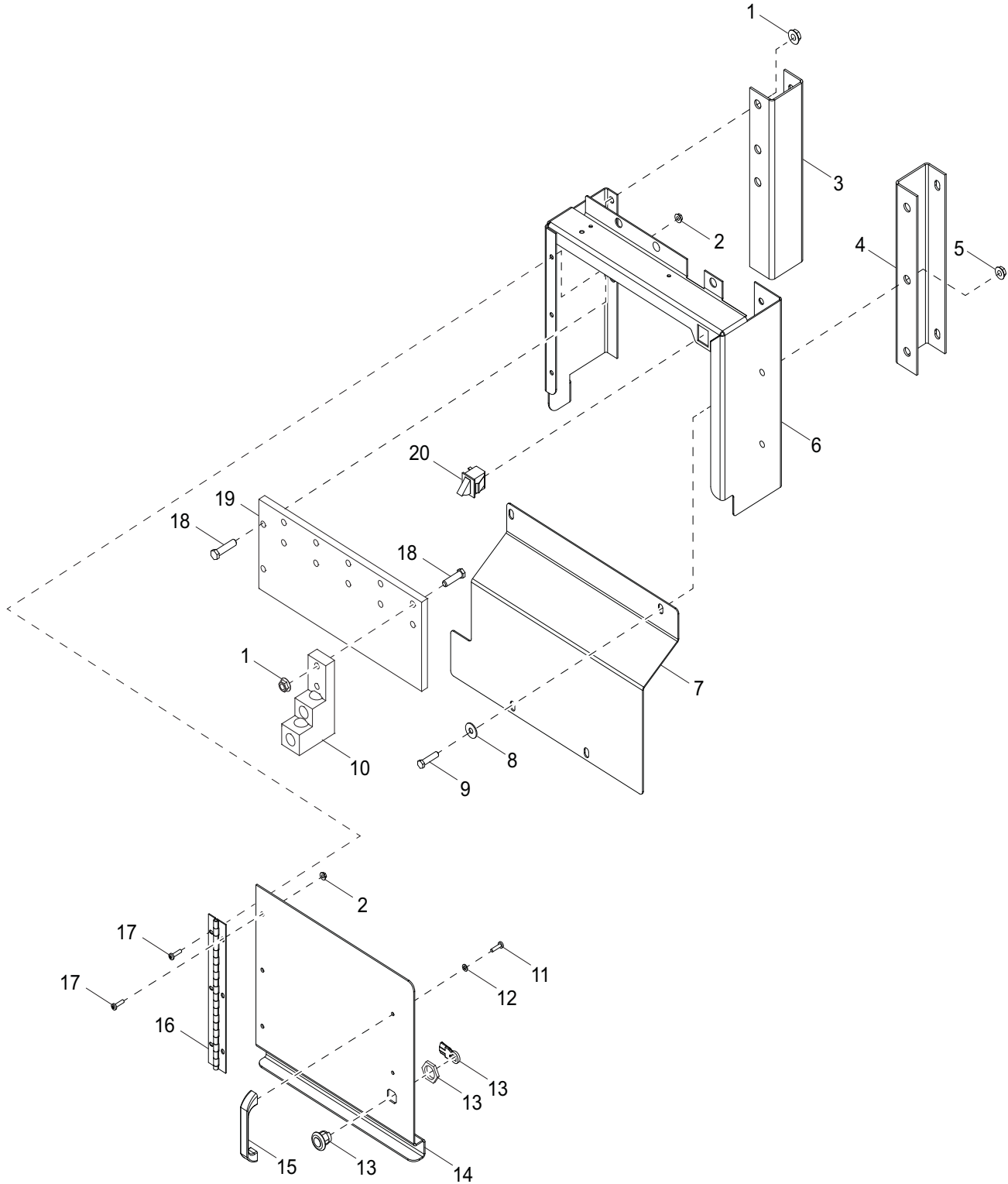
Control Panel Light (if equipped):

A	23025	1	Light, interior control panel
--	66995	1	Switch, rocker - on/-/off
--	68321	1	Harness, control panel light

Interior Light (if equipped):

--	66995	1	Switch, rocker - on/-/off
----	-------	---	---------------------------

LUG BOX ASSEMBLY

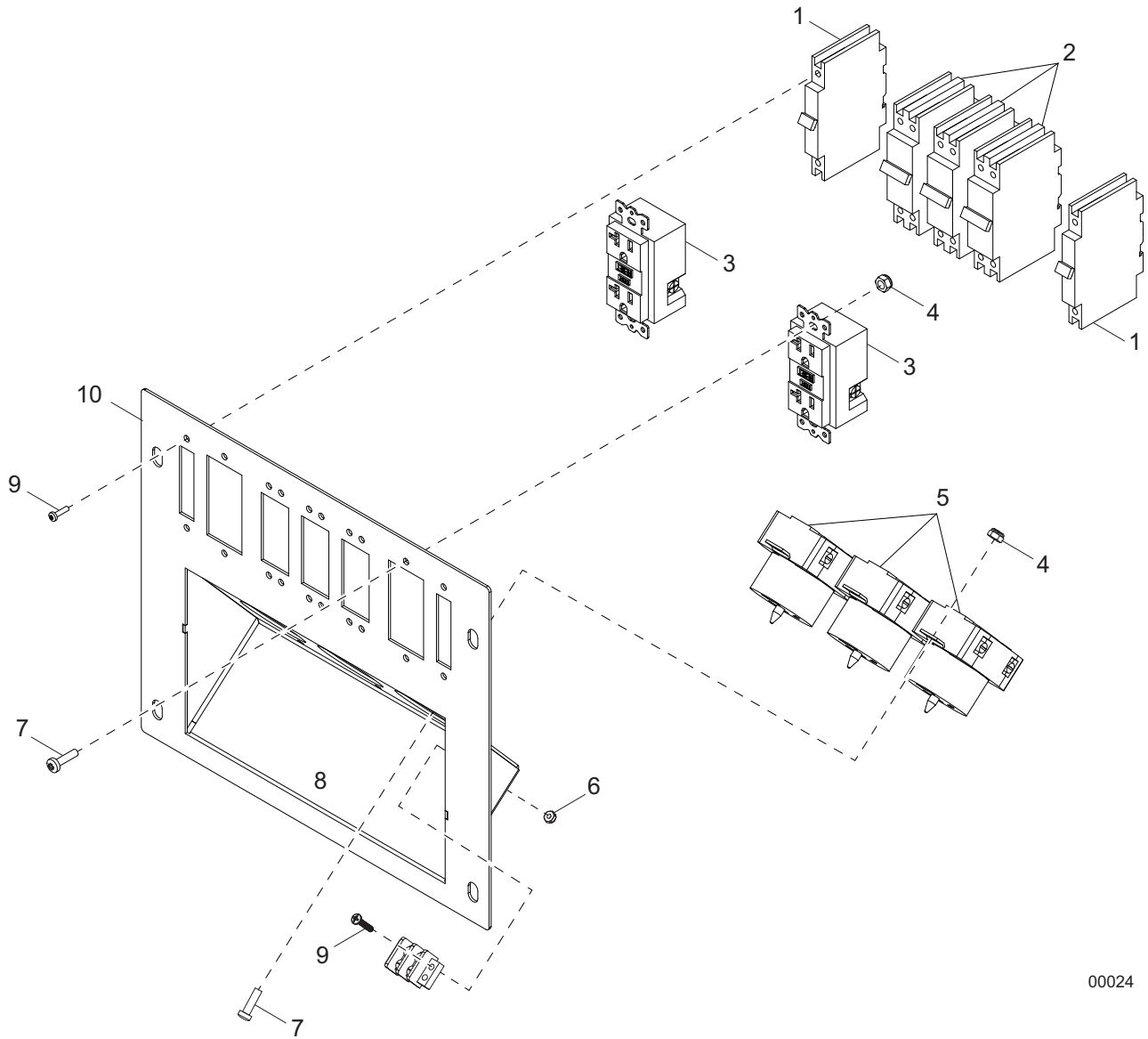


00021

LUG BOX ASSEMBLY

Item	Part No.	Qty	Description	Notes
1	60145	13	Nut, .375-16 serrated flange, G5	
2	61045	6	Nut, 10-32 serrated flange	
3	30141B	1	Bracket, glastic plate - left	
4	30140B	1	Bracket, glastic plate - right	
5	60095	2	Nut, .312-18 serrated flange	
6	33928W	1	Box, lug enclosure	
7	33285B	1	Panel, lug box outlet	
8	60452	2	Washer, .313 flat 1.125/1.0 bonded rubber, SS	
9	60507	2	Screw, .312-18 x 1.0 standard hex, SS	
10	65890	5	Lug, terminal - dual, 2 hole stacked	
11	60068	2	Screw, 10-24 x .500 pan Phillips, G2	
12	60252	2	Washer, #10 split lock	
13	20762	1	Lock, door - 1/4 turn cam	
14	33199W	1	Panel, lug box door	
15	18893	1	Handle, lug door	
16	22018	1	Hinge, continuous - 10.25 in	
17	60398	6	Screw, 10-32 x .500 pan Phillips, SS	
18	60398	13	Screw, 10-32 x .500 pan Phillips, SS	
19	28568	1	Panel, lug box - glastic	
20	12632	1	Switch, trigger safety - NO & NC	

RECEPTACLE PANEL ASSEMBLY

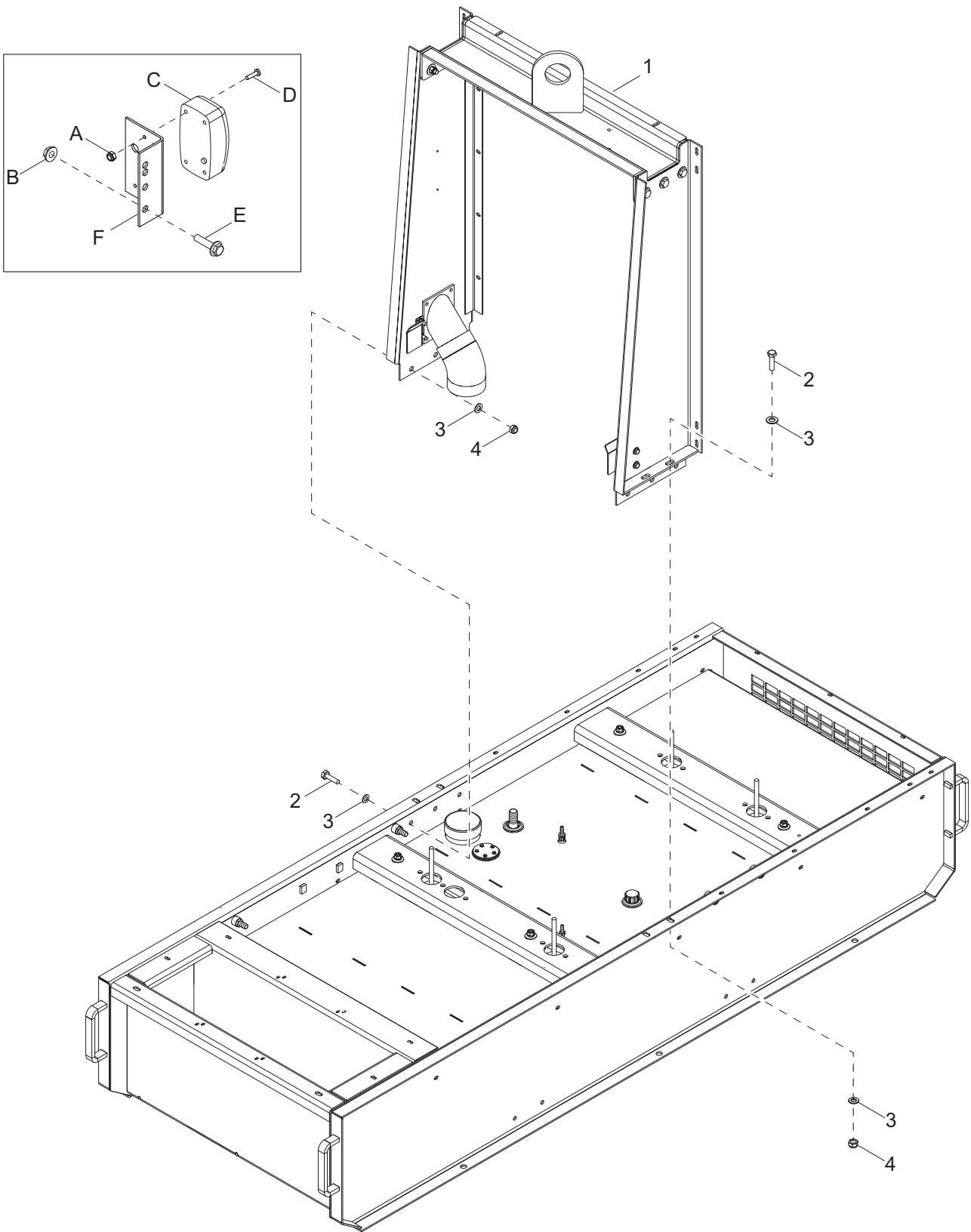


00024

RECEPTACLE PANEL ASSEMBLY

Item	Part No.	Qty	Description	Notes
1	18091	2	Breaker, 20A, 240V, 1-pole	
2	18092	3	Breaker, 50A, 240V, 2-pole	
3	14130	2	Receptacle, 120V/20A GFI	
4	60061	10	Nut, 10-32 nylock	
5	18089	3	Receptacle, 240V/50A twist-lock	
6	60728	2	Nut, 6-32 nylock, G5	
7	60648	10	Screw, 10-32 x .500 pan Phillips, G2	
8	18890	1	Block, terminal - 2 position	
9	60046	18	Screw, 6-32 x .750 pan Phillips, G2	
10	33531W	1	Weldment, receptacle panel	
--	67881	1	Wire group - receptacle	

LIFT STRUCTURE TO SKID ASSEMBLY

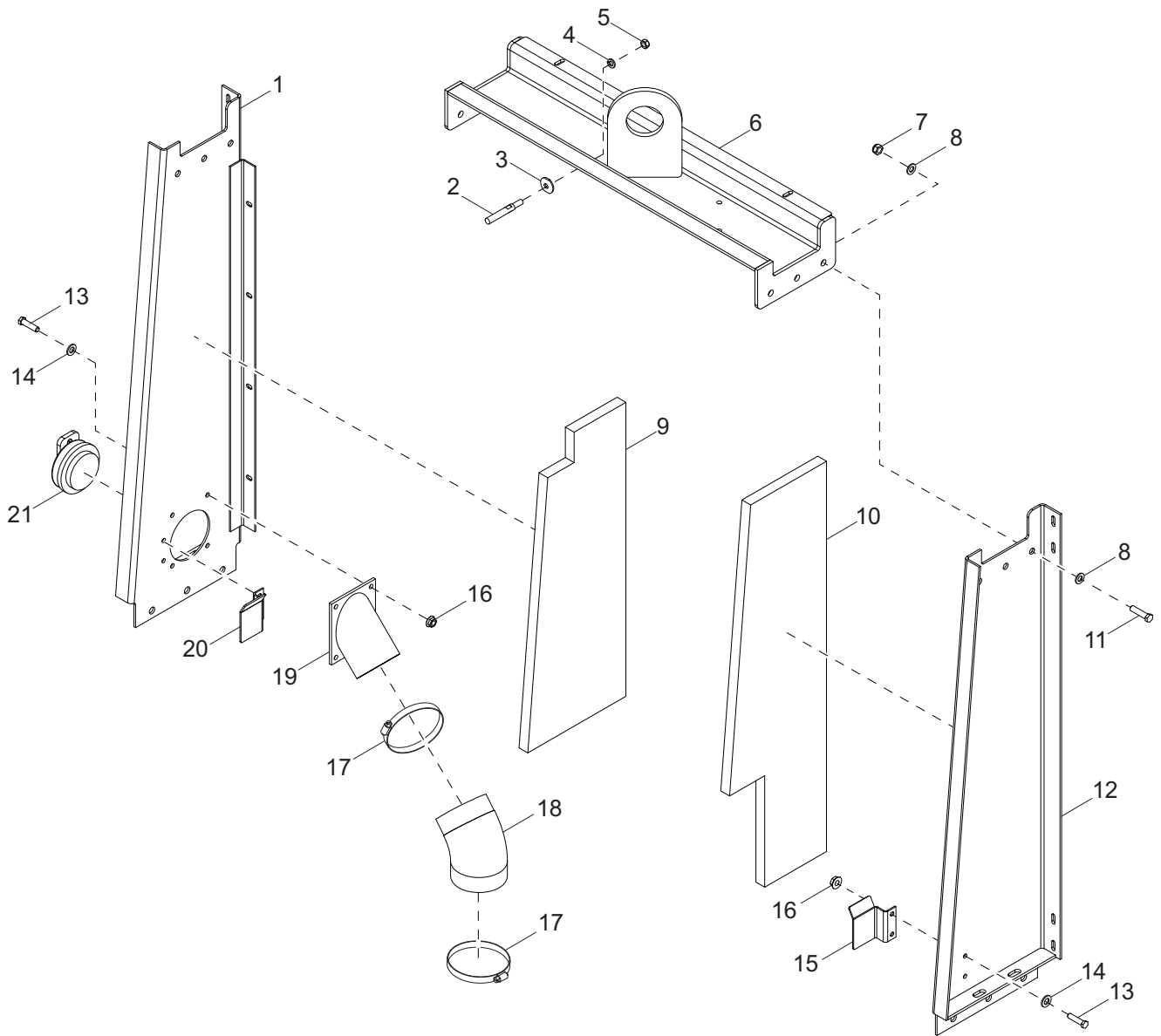


00025

LIFT STRUCTURE TO SKID ASSEMBLY

Item	Part No.	Qty	Description	Notes
1	10000030572	1	Assembly, lift structure	
2	60388	10	Screw, .500-13 x 1.50 standard hex, G5	
3	60309	20	Washer, .500 flat 1.060/.090	
4	62221	10	Nut, .500-13 nylock, G5	
<i>Interior Light (if equipped):</i>				
A	60530	8	Nut, 10-24 nylock, SS	
B	60095	4	Nut, .312-18 serrated flange	
C	11947	2	Light, interior w/switch	
D	60529	8	Screw, 10-24 x .625 pan Phillips, SS	
E	61091	4	Screw, .312-18 x 1.0 serrated flange hex, G5	
F	23528B	2	Bracket, interior light	
--	65932	1	Harness, light option	

LIFT STRUCTURE ASSEMBLY

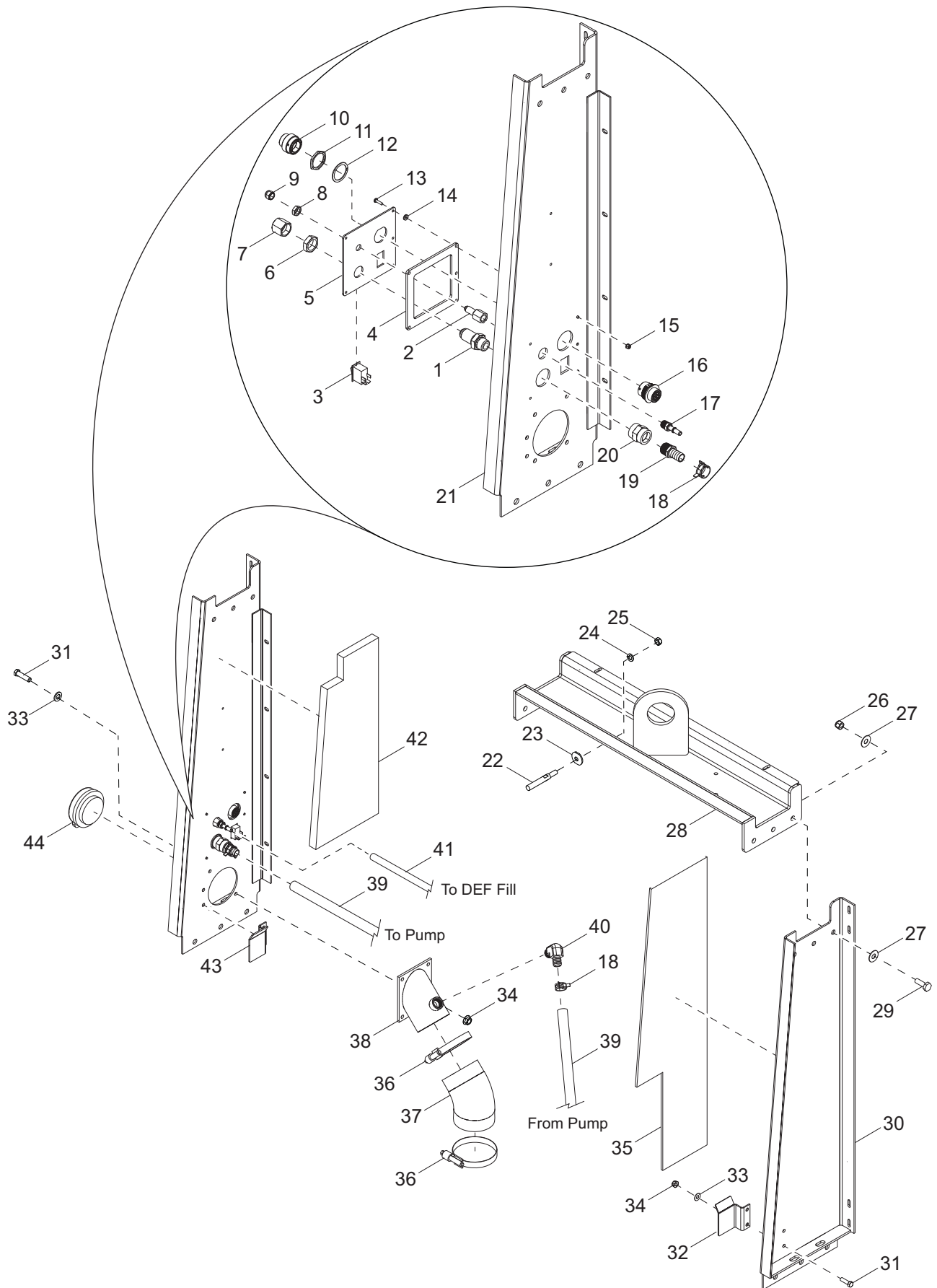


00026

LIFT STRUCTURE ASSEMBLY

Item	Part No.	Qty	Description	Notes
1	32680B	1	Weldment, lift channel - right	
2	26979ZY	1	Pin, striker - 3.25	
3	24196	1	Washer, striker pin - internal thread	
4	60276	1	Washer, .500 split lock	
5	24046	1	Striker nut - .438-14, G8	
6	32676B	1	Weldment, lift channel	
7	62221	6	Nut, .500-13 nylock, G5	
8	60309	12	Washer, .500 flat 1.060/.090	
9	32469SRV	1	Foam, lift post - right	
10	10000030574	1	Foam, lift post - left	
11	60388	6	Screw, .500-13 x 1.50 standard hex, G5	
12	32678B	1	Weldment, lift channel - left	
13	61036	8	Screw, .375-16 x 1.25 standard hex, SS	
14	60698	8	Washer, .375 flat .875/.040, SS	
15	28524B	1	Bracket, hood guide - left/front, left/rear	
16	60145	8	Nut, .375-16 serrated flange, G5	
17	19842	2	Clamp, hose - SAE 072 (4.06-5.00)	
18	22286	1	Elbow, 45° 4.0 ID molded rubber	
19	24296B	1	Weldment, fuel fill	
20	28523B	1	Bracket, hood guide - right/front, right/rear	
21	55104	1	Cap, fuel fill - 3.50	

LIFT STRUCTURE ASSEMBLY - EXTERNAL FUEL (IF EQUIPPED)

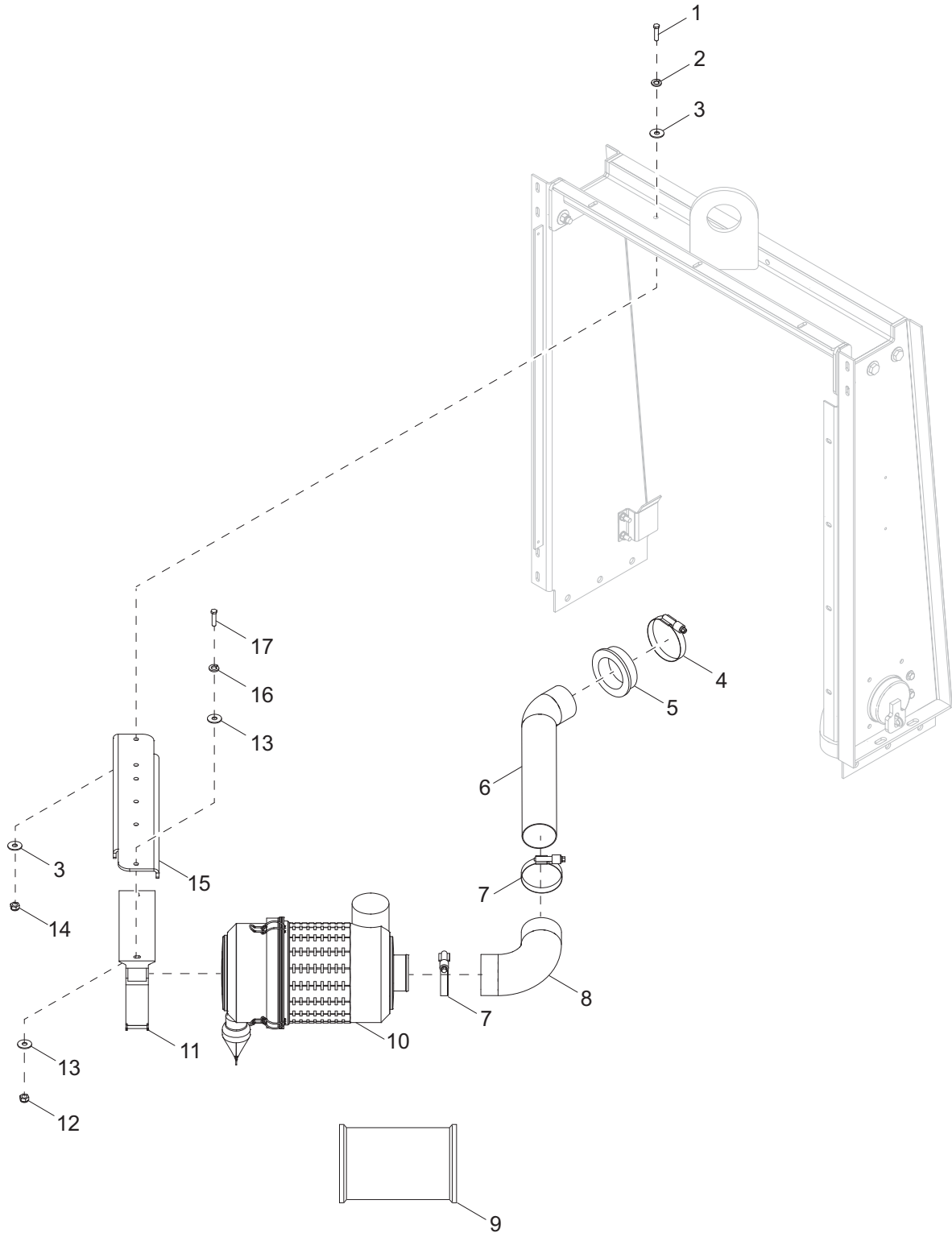


02691

LIFT STRUCTURE ASSEMBLY - EXTERNAL FUEL (IF EQUIPPED)

Item	Part No.	Qty	Description	Notes
1	10000034683	1	Fitting, 1.125-12 ML 37° flare	
2	10000034642	1	Fitting, 9/16-18 male JIC-3/9-18FNPT - SS	
3	66995	1	Switch, rocker DPST, on-off	
4	10000041841	1	Gasket, rubber seal	
5	10000034440	1	Plate	
6	10000034673	1	Nut, 1.062-12 lock	
7	10000035077	1	Fitting, cap nut 1.062-12 JIC	
8	10000034637	1	Nut, 9/16-18 lock - SS	
9	10000035057	1	Fitting, cap nut .5625-18 JIC - SS	
10	10000034701	1	Cap, dust with chain	
11	10000034643	1	Nut, panel size 18	
12	10000034656	1	Washer, lock size 18 receptacle - SS	
13	61180	5	Screw, 10-32 x .750 pan Phillips - SS	
14	61222	5	Washer, #10 sealing	
15	61045	5	Nut, 10-32 serrated flange	
16	10000034619	1	Connector, bulkhead HD34-18-14 pin	
17	10000034686	1	Fitting, straight .375NPT to .375 SAE - SS	
18	10000037182	4	Clamp, hose - spring type 27ST	
19	30866	1	Fitting, straight .750MNPT x .750 barb - brass	
20	10000034694	1	Fitting, .750-14FNPT to .750-14FNPT	
21	10000035810	1	Weldment, lift channel - right	
22	26979ZY	1	Pin, striker - 3.25	
23	24196	1	Washer, striker pin - internal thread	
24	60276	1	Washer, .500 split lock	
25	24046	1	Striker nut - .438-14, G8	
26	62221	6	Nut, .500-13 nylock, G5	
27	60309	12	Washer, .500 flat 1.060/.090	
28	32676B	1	Weldment, lift channel	
29	60388	6	Screw, .500-13 x 1.50 standard hex, G5	
30	32678B	1	Weldment, lift channel - left	
31	61036	8	Screw, .375-16 x 1.25 standard hex, SS	
32	28524B	1	Bracket, hood guide - left/front, left/rear	
33	60698	8	Washer, .375 flat .875/.040, SS	
34	60145	8	Nut, .375-16 serrated flange, G5	
35	10000041851	1	Foam, lift post	
36	19842	2	Clamp, hose - SAE 072 (4.06-5.00)	
37	22286	1	Elbow, 45° 4.0 ID molded rubber	
38	10000035997	1	Weldment, fuel fill	
39	50332	2	Hose, fuel .750ID 35 PSI SAE 30R7	
40	27673	1	Fitting, 90° .750MNPT X .750 barb - brass	
41	10000037064	1	Hose, DEF heated suction 12V 1.5M	
42	10000041852	1	Foam, lift post	
43	28523B	1	Bracket, hood guide - right/front, right/rear	
44	55104	1	Cap, fuel fill - 3.50	

AIR FILTER ASSEMBLY

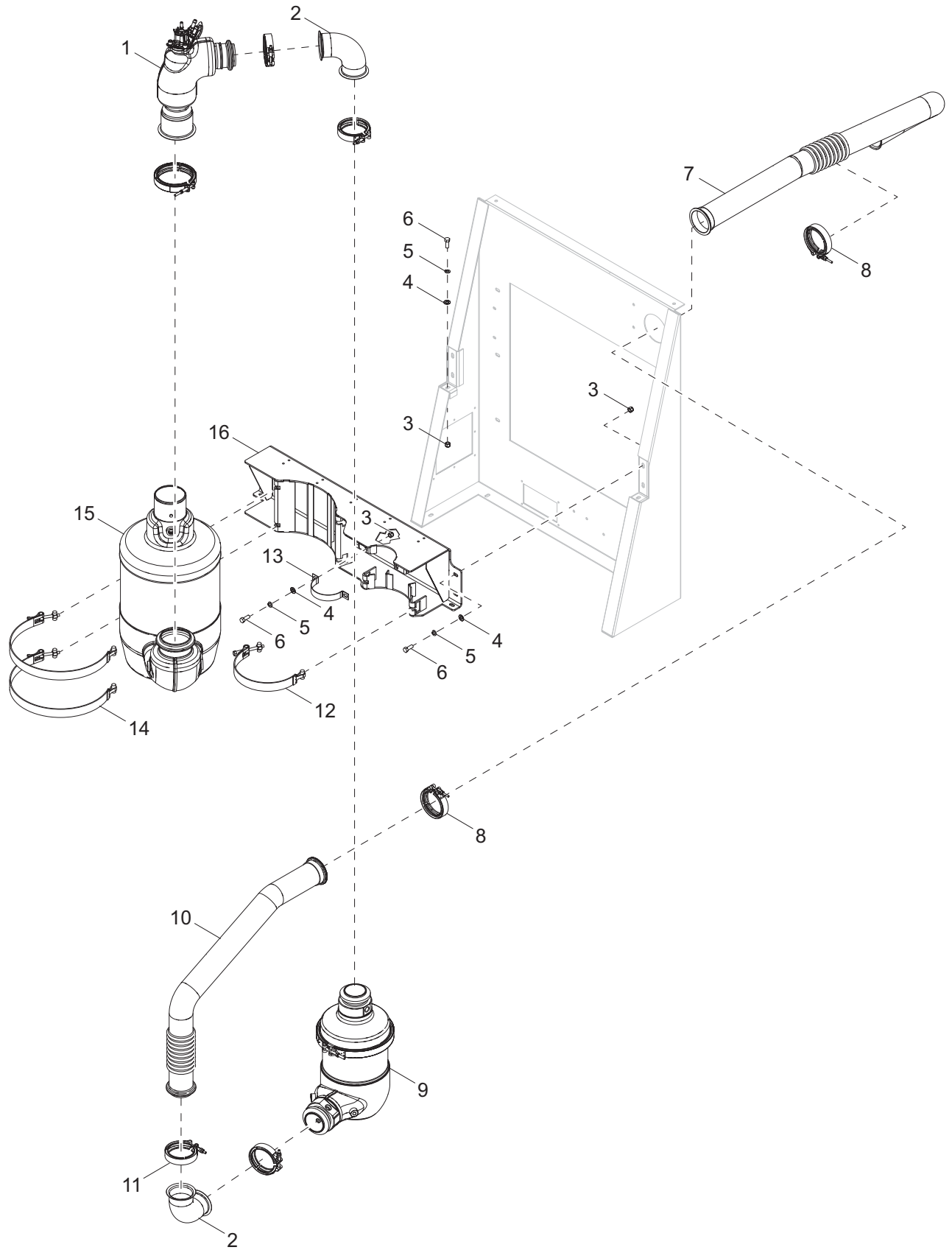


00027

AIR FILTER ASSEMBLY

Item	Part No.	Qty	Description	Notes
1	61036	2	Screw, .375-16 x 1.250 standard hex - SS	
2	60703	2	Washer, .375 split lock - SS	
3	60698	4	Washer, .375 flat .875/.040 - SS	
4	60665	1	Clamp, hose - constant torque - 3.75-4.625	
5	19565	1	Insert, air hose reducer 3.0-4.0	
6	32816	1	Pipe, air inlet	
7	60818	1	Clamp, hose - constant torque - 3.25-4.125	
8	28446	1	Elbow, 90° 3.00ID - molded rubber	
9	26722	1	Element, air filter	
10	26465	1	Filter, air cleaner	
11	26466	1	Clamp, air filter	
12	62079	2	Nut, .312-18 nylock jam	
13	60340	4	Washer, .312 flat - SS	
14	60358	2	Nut, .375-16 nylock, G5	
15	10000015794	1	Channel, air filter	
16	60701	2	Washer, .312 split lock - SS	
17	61052	2	Screw, .312-18 x 1.50 standard hex - SS	

EXHAUST SYSTEM ASSEMBLY

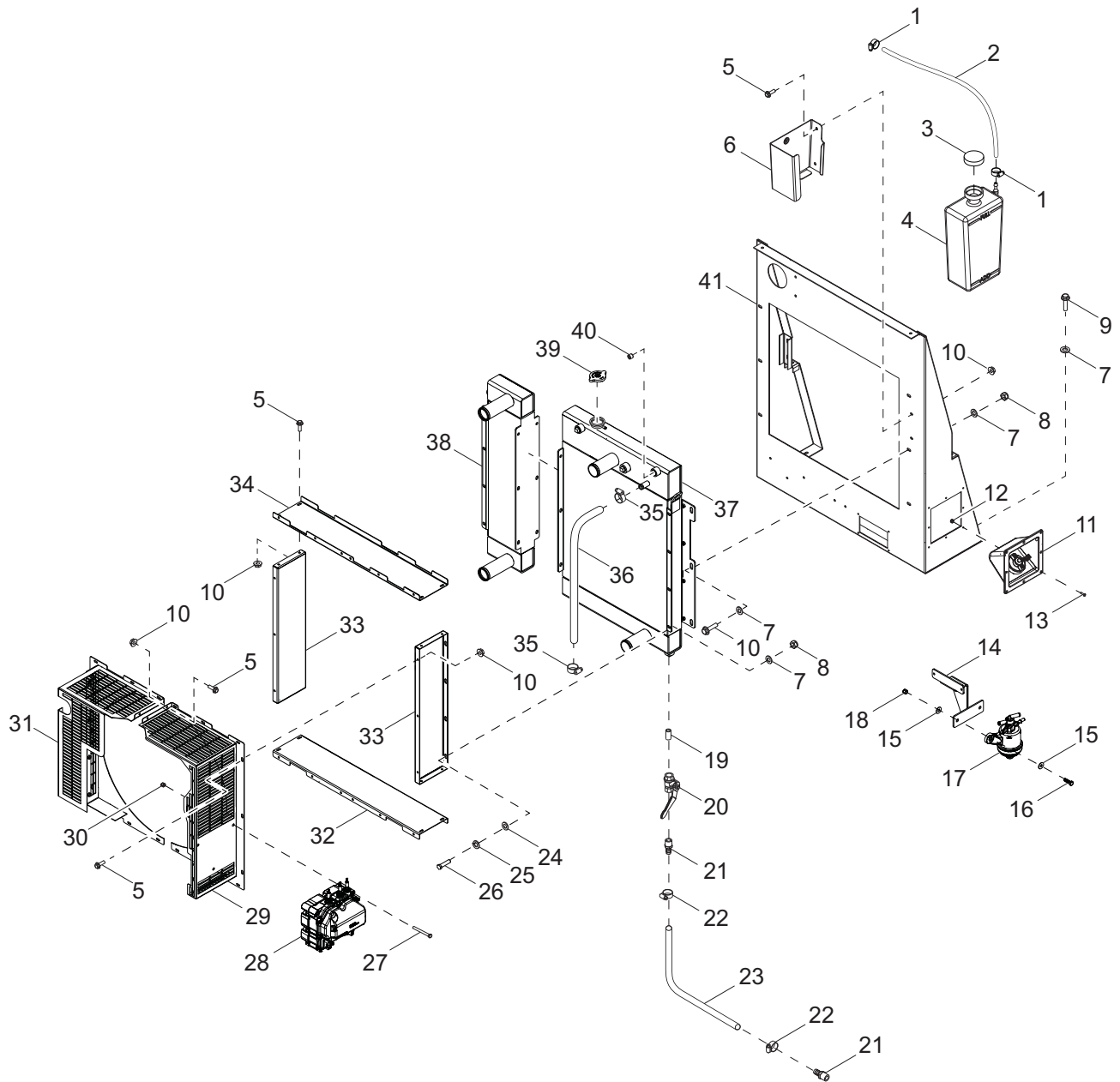


02512

EXHAUST SYSTEM ASSEMBLY

Item	Part No.	Qty	Description	Notes
1	N/A	1	Decomp, Deere	
2	10000015593	2	Pipe, rear outlet - left	
3	60358	8	Nut, .375-16 nylock, G5	
4	60151	8	Washer, .375 flat	
5	60206	8	Washer, .375 split lock	
6	60205	8	Screw, .375-16 x 1.00 standard hex, G5	
7	10000019095	1	Weldment, exhaust pipe	
8	63247	2	Clamp, V-band 3.82 ID	
9	N/A	1	DOC, Deere	
10	10000019094	1	Weldment, exhaust pipe DOC	
11	63248	1	Clamp, V-band 3.88 ID	
12	10000015934	1	Strap, Deere	
13	10000016003	1	Clamp, DOC	
14	10000014570	2	Strap, Deere	
15	N/A	1	SCR, Deere	
16	10000015931	1	Bracket, SCR/DOC	
--	10000020385	1	Blanket, exhaust elbow	
--	10000020349	1	Blanket, exhaust DOC	
--	10000020391	1	Blanket, exhaust turbo	

COOLING SYSTEM ASSEMBLY

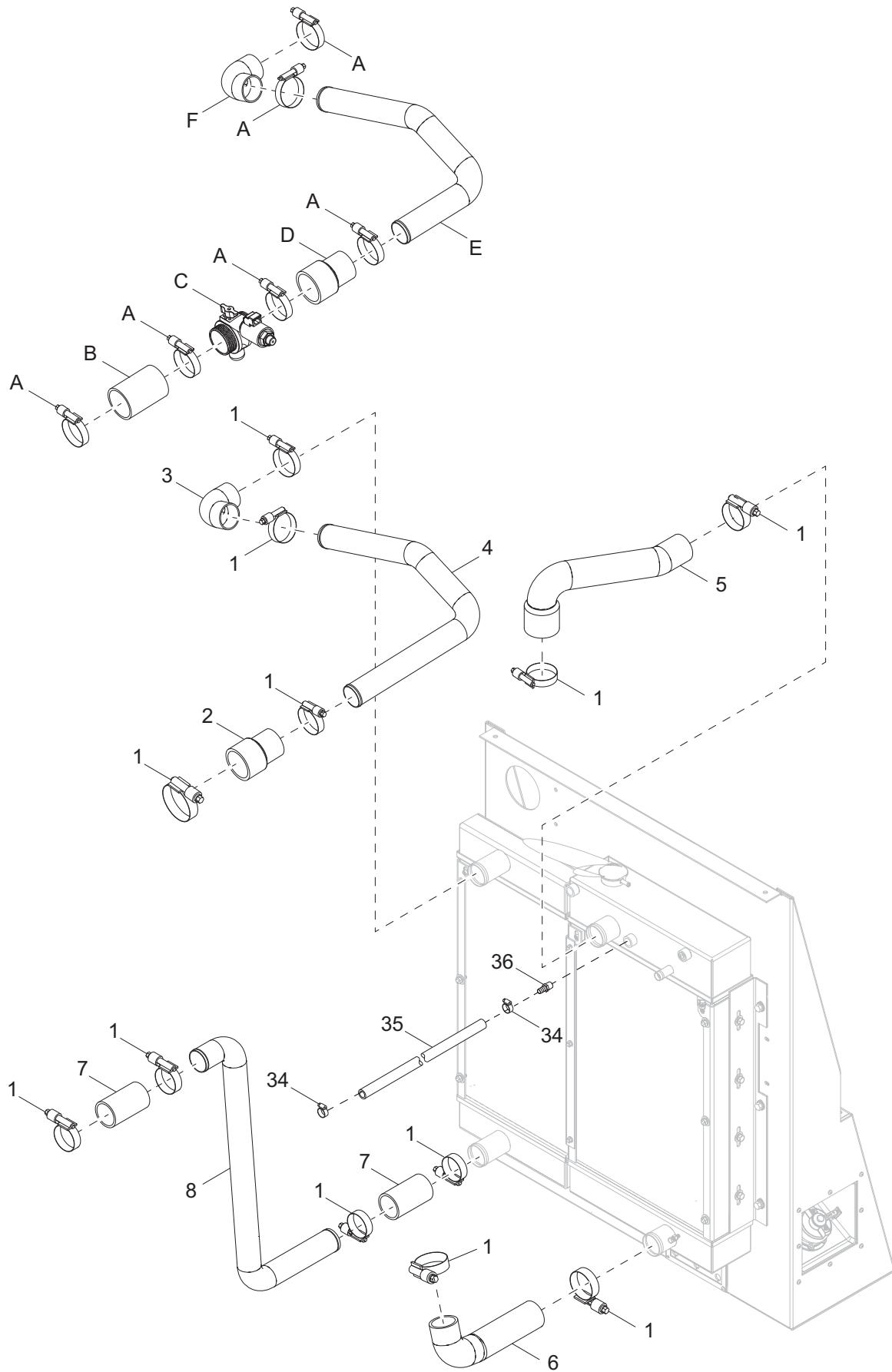


03549

COOLING SYSTEM ASSEMBLY

Item	Part No.	Qty	Description	Notes
1	63192	2	Clamp, crimping band - .464 in	
2	50018	1.66 ft	Hose, fuel - .312 ID, 50 psi, SAE 30R7	
3	19714	1	Cap, overflow bottle	
4	24952	1	Jug, overflow 2.5 qt	
5	60175	27	Screw, .250-20 x .500 serrated flange, G5	
6	26211B	1	Bracket, overflow jug	
7	60340	28	Washer, .312 flat .875/.040	
8	60095	10	Nut, .312-18 serrated flange	
9	60507	10	Screw, .312-18 x 1.00 standard hex, SS	
10	60161	27	Nut, .250-20 serrated flange, G5	
11	54007	1	Assembly, fluid guard	
12	60530	8	Nut, 10-24 nylock - SS	
13	60540	8	Screw, 10-24 x .750 pan Phillips - SS	
14	A0001073981	1	Weldment, DEF filter bracket	
15	60386	4	Washer, .375 flat .993/.064	
16	60352	2	Screw, .375-16 x 1.250 standard hex, G5	
17	A0000988376	1	Housing, filter - DEF	
18	60358	2	Nut, .375-16 nylock, G5	
19	60438	1	Fitting, nipple, pipe - .500NPT x close	
20	19279	1	Valve, ball .500NPTF	
21	60502	2	Fitting, strt - .500MNPT x .625 barb. brass	
22	63252	2	Clamp, hose - size 24, spring type	
23	50201	.67 ft	Hose, .625 ID, 200 psi, class A	
24	60243	6	Washer, .250 flat .735/.060	
25	60271	6	Washer, .312 split lock	
26	60168	6	Screw, .312-18 x .750 standard hex, G5	
27	60404	3	Screw, .312-18 x 4.00 standard hex, G5	
28	3023147	1	Pump, DEF	
29	10000044630	1	Weldment, fan guard - right	
30	60303	3	Nut, .312-18 nylock, G2	
31	10000032873	1	Weldment, fan guard - left	
32	10000044558	1	Shroud, bottom	
33	10000044610	2	Shroud, side	
34	10000044549	1	Shroud, top	
35	15422	2	Clamp, SAE 020 (.75-1.75)	
36	50170	2.83 ft	Hose, .750 in., class A	
37	10000044566	1	Radiator	
38	10000044594	1	CAC	
39	33219	1	Cap, radiator pressure - 18 psi	
40	18394	1	Fitting, plug - .500NPT x internal hex	
41	10000015465	1	Panel, bulkhead	

COOLING SYSTEM HOSES



02514

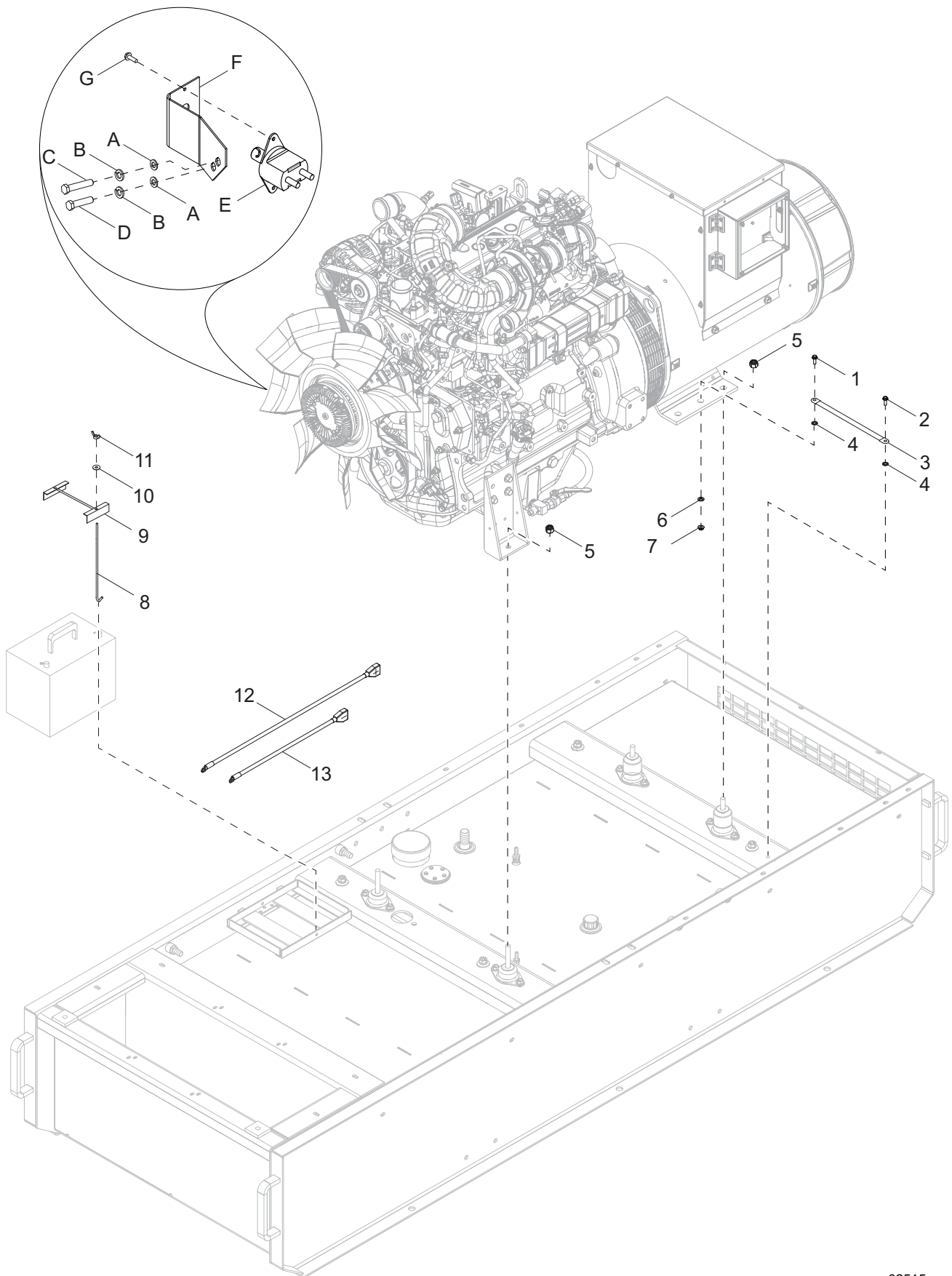
COOLING SYSTEM HOSES

Item	Part No.	Qty	Description	Notes
1	60666	12	Clamp, hose constant torque 2.250-3.125	
2	22060	1	Hose, CAC 2.00-2.50 x 4.00	
3	27775	1	Hose, CAC 2.00 x 90°	
4	10000015666	1	Pipe, CAC outlet	
5	10000015694	1	Hose, radiator - upper	
6	10000015665	1	Hose, radiator - lower	
7	28540	2	Hose, CAC 2.00 x 4.00	
8	10000016480	1	Pipe, CAC inlet	
9	63250	2	Clamp, hose - size 16, spring type	
10	50018	1.42 ft	Hose, fuel - .312 ID, 50 psi, SAE 30R7	
11	60999	1	Fitting, strt - .500MNPT x .312 barb, brass	

Positive Air Shutdown (if equipped):

A	60666	6	Clamp, hose constant torque 2.250-3.125
B	28541	1	Hose, CAC - 2.50 x 4.00
C	50739	1	Valve, PAS 2.50 diameter ESD - 12V
D	22060	1	Hose, CAC 2.00-2.50 x 4.00
E	10000022914	1	Pipe, CAC outlet - PAS
F	27775	1	Hose, CAC 2.00 x 90°

ENGINE AND GENERATOR TO SKID ASSEMBLY



02515

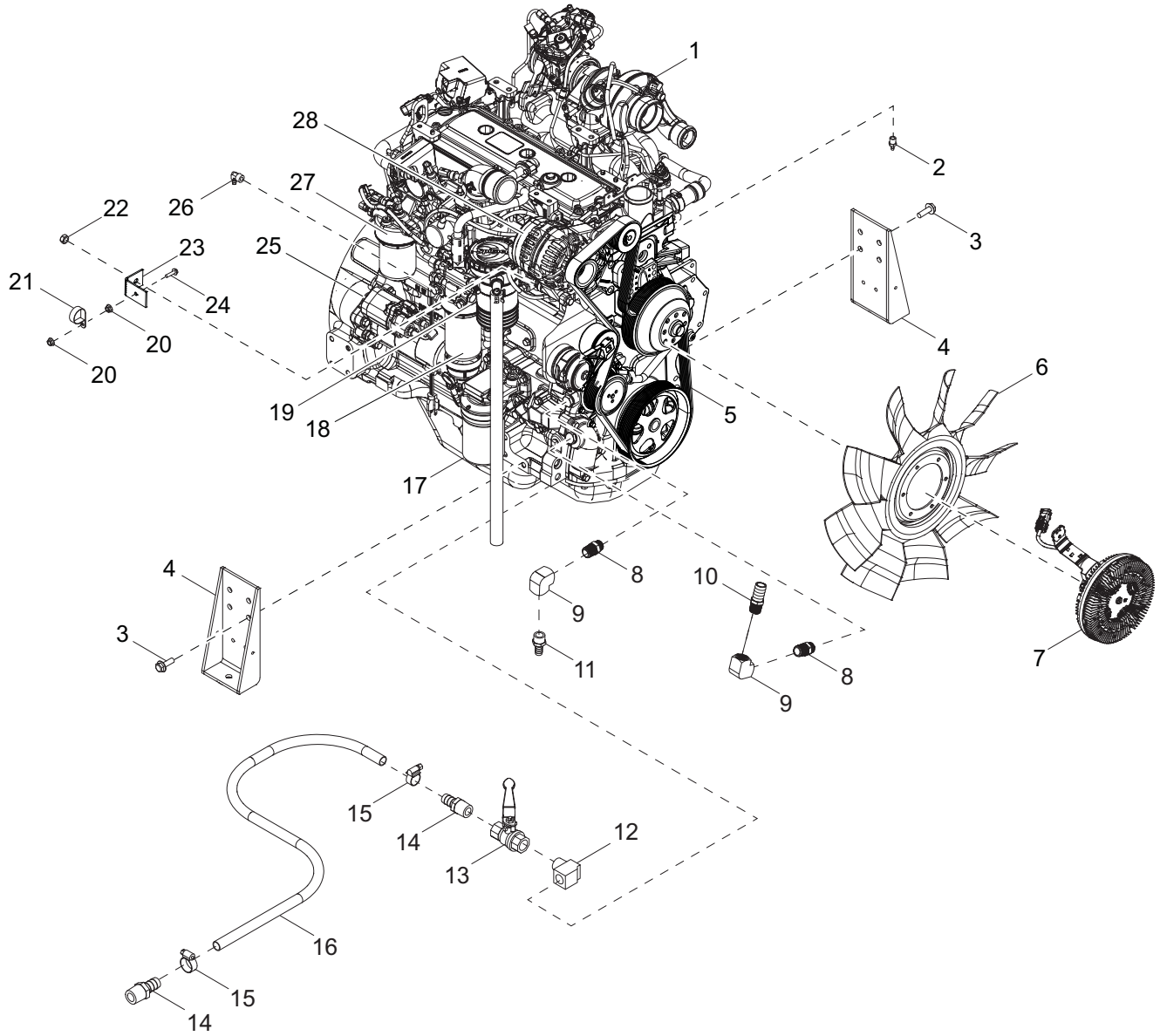
ENGINE AND GENERATOR TO SKID ASSEMBLY

Item	Part No.	Qty	Description	Notes
1	60487	1	Screw, .375-16 x 1.50 serrated flange hex, G5	
2	60353	1	Screw, .375-16 x 1.0 flange hex, self tapping, G2	
3	19042	1	Strap, braided ground - 10 in	
4	60369	2	Washer, M12 ext star	
5	62221	8	Nut, .500-13 nylock, G5	
6	60386	1	Washer, .375 flat .993/.064	
7	60145	1	Nut, .375-16 serrated flange hex, G5	
8	60820	2	Bolt, J - .250-20 x 10.0	
9	14682	1	Bracket, battery hold down	
10	60089	2	Washer, .265 fender 1.25/.060	
11	60090	2	Nut, .250-20 wing, G5	
12	18693	1	Cable, battery - 38 in. 2/0 red, .500 in. lug	
13	67044	1	Cable, battery - 24 in. 2/0 black, .625 in. lug	

Battery Disconnect (if equipped):

A	60193	2	Washer, M16 flat
B	60194	2	Washer, M16 split lock
C	60381	1	Screw, M16-2.0 x 50 standard hex, G10.9
D	60489	1	Screw, M16-2.0 x 40 standard hex, G10.9
E	21489	1	Switch, battery disconnect
F	33415B	1	Bracket, battery disconnect
G	60523	2	Screw, .250-20 x .875 serrated flange hex
H	68340	1	Jumper, positive battery disconnect

ENGINE ASSEMBLY



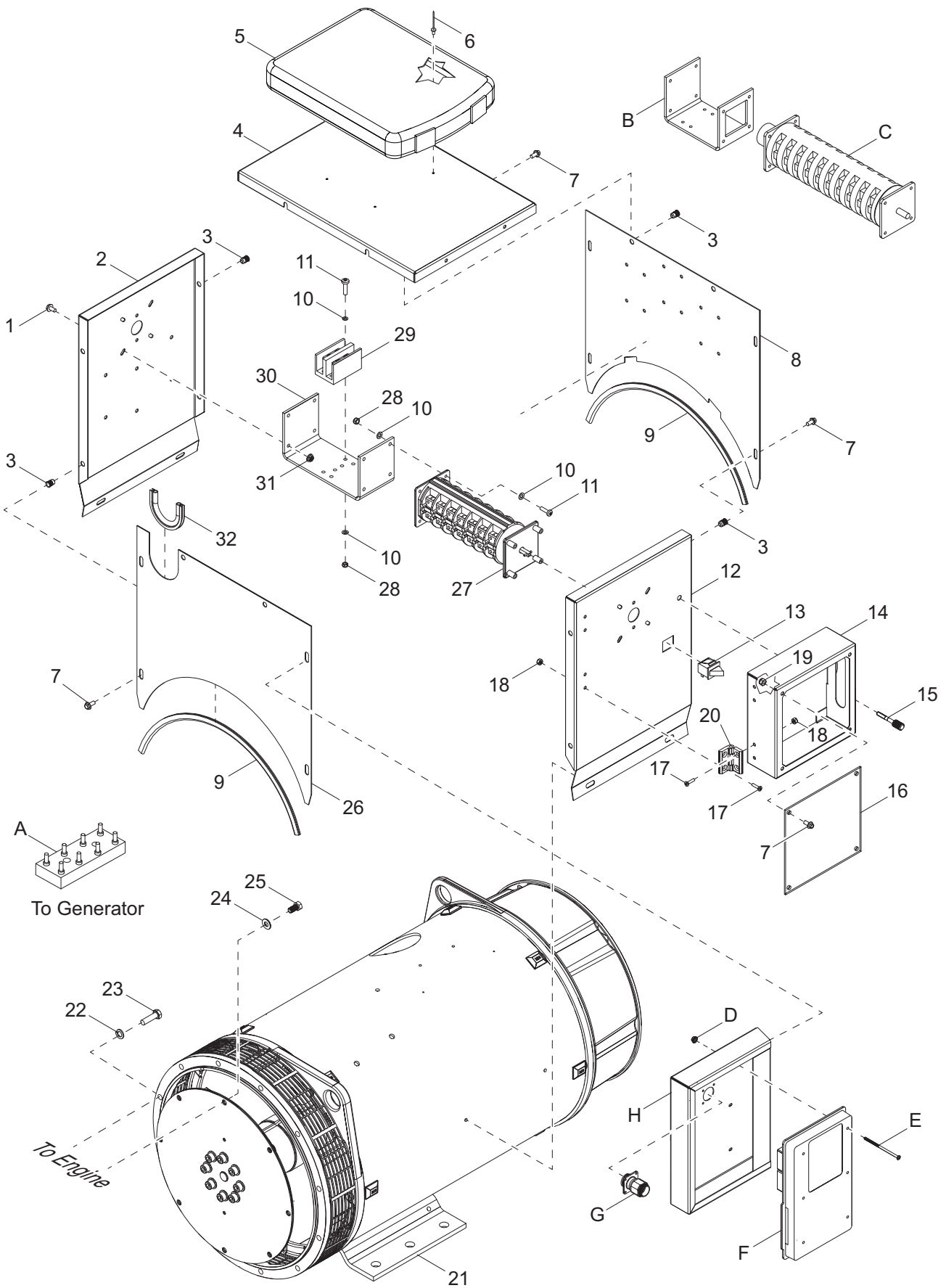
02516

ENGINE ASSEMBLY

Item	Part No.	Qty	Description	Notes
1	A0001025555	1	Engine, Deere - 4045HFG04, 99 KW T4	
2	63239	1	Fitting, fuel-return - .56 x .312 barb	
3	60072	6	Screw, M12-1.75 x 25 serrated flange hex, G10.9	
4	33528B	2	Weldment, engine mount	
5	33021	1	Belt, fan	
6	30269	1	Fan, 23 in	
7	N/A	1	Clutch, fan - for 23 in	
8	19257	2	Fitting, straight .500MNPT x M18	
9	22462	2	Fitting, 90° - .500FNPT x .500FNPT, brass	
10	60437	1	Fitting, straight- .500NPT x .750 barb, brass	
11	40728	1	Fitting, straight .500MNPT x .500 barb	
12	60998	1	Fitting, 90°, .500MNPT x .500FNPT - brass	
13	19279	1	Valve, ball - .500NPTF	
14	60502	2	Fitting, strt - .500MNPT x .625 barb, brass	
15	63252	2	Clamp, hose - size 24, spring type	
16	50201	3.62 ft	Hose, fuel - .625 horizon 200 psi, class A	
17	22378	1	Filter, oil	
18	10000018039	1	Filter, fuel - primary	
19	10000031050	1	Element, OVR filter	
20	60161	2	Nut, .250-20 serrated flange, G5	
21	60716	1	Clamp, tubing - 1.50 lt duty	
22	60344	1	Nut, M10-1.25 hex, SS	
23	32731B	1	Bracket, manual holder	
24	60479	1	Screw, .250-20 x 1.0 serrated flange hex, G5	
25	33027	1	Starter	
26	33414	1	Fitting, 90°, M14 x 1.5 x .375 barb	
27	10000030989	1	Filter, fuel - secondary	
28	33026	1	Alternator	

Note: Engine and generator parts used in all Generac Mobile Products LLC equipment carry the Original Equipment Manufacturer (OEM) warranty unless otherwise stated. OEM warranty parts must be purchased through an OEM dealer. Please contact Generac Mobile Products LLC with questions.

GENERATOR ASSEMBLY



02517

GENERATOR ASSEMBLY

Item	Part No.	Qty	Description	Notes
1	60115	8	Screw, M6-1.00 x 12 serrated flange hex, G8.8	
2	18763B	1	Panel, generator box - side	
3	62132	13	Insert, threaded .250-20 splined	
4	10000021999	1	Panel, generator box - top	
5	24540	1	Manual holder	
6	60268	4	Rivet, .188 diameter x .126to .250 grip - SS	
7	60175	16	Screw, .250-20 x .500 serrated flange hex, G5	
8	18769B	1	Panel, generator box - rear	
9	19046SRV	2 ft	Seal, generator box	
10	60041	12	Washer, M5 flat	
11	60156	4	Screw, M5-0.80 x 16 pan Phillips, G4.8	
12	10000017797	1	Panel, switch - generator box	
13	12632	1	Switch, trigger safety, N.O & N.C.	
14	10000017788	1	Cover, phase selector	
15	29344	1	Screw, .250-20 x 1.80 thumb	
16	55041	1	Door, phase switch	
17	73124	8	Screw, 10-24 x .875 flat head Phillips - SS	
18	60530	8	Nut, 10-24 nylock - SS	
19	60144	4	Nut, .250-20 nylock, G5	
20	35394	2	Hinge, small door	
21	A0000019362	1	Generator, Marathon 361PSLSAE#3 11.5 inch	
--	39662	1	Generator, Marathon Exciter - 360 frame	
22	60026	12	Washer, M10 split lock	
23	60055	12	Screw, M10-150 x 35 standard hex, G10.9	
24	60151	8	Washer, .375 flat	
25	60179	8	Screw, .375-16 x .750 standard hex, G8	
26	18772B	1	Panel, generator box - front	
27	65500	1	Switch, phase - 125A, 3 position	
28	60038	8	Nut, M5-.80 nylock, class 6	
29	19368	1	Block, terminal - 2-pole lug type, 2/0	
30	23395B	1	Bracket, selector switch - 3 position	
31	60036	4	Nut, M6-1.00 serrated flange, G8.8	
32	19351	1 ft	Seal, U-channel	
--	62136	1	Ring, snap .147ID x .335 OD - E type	

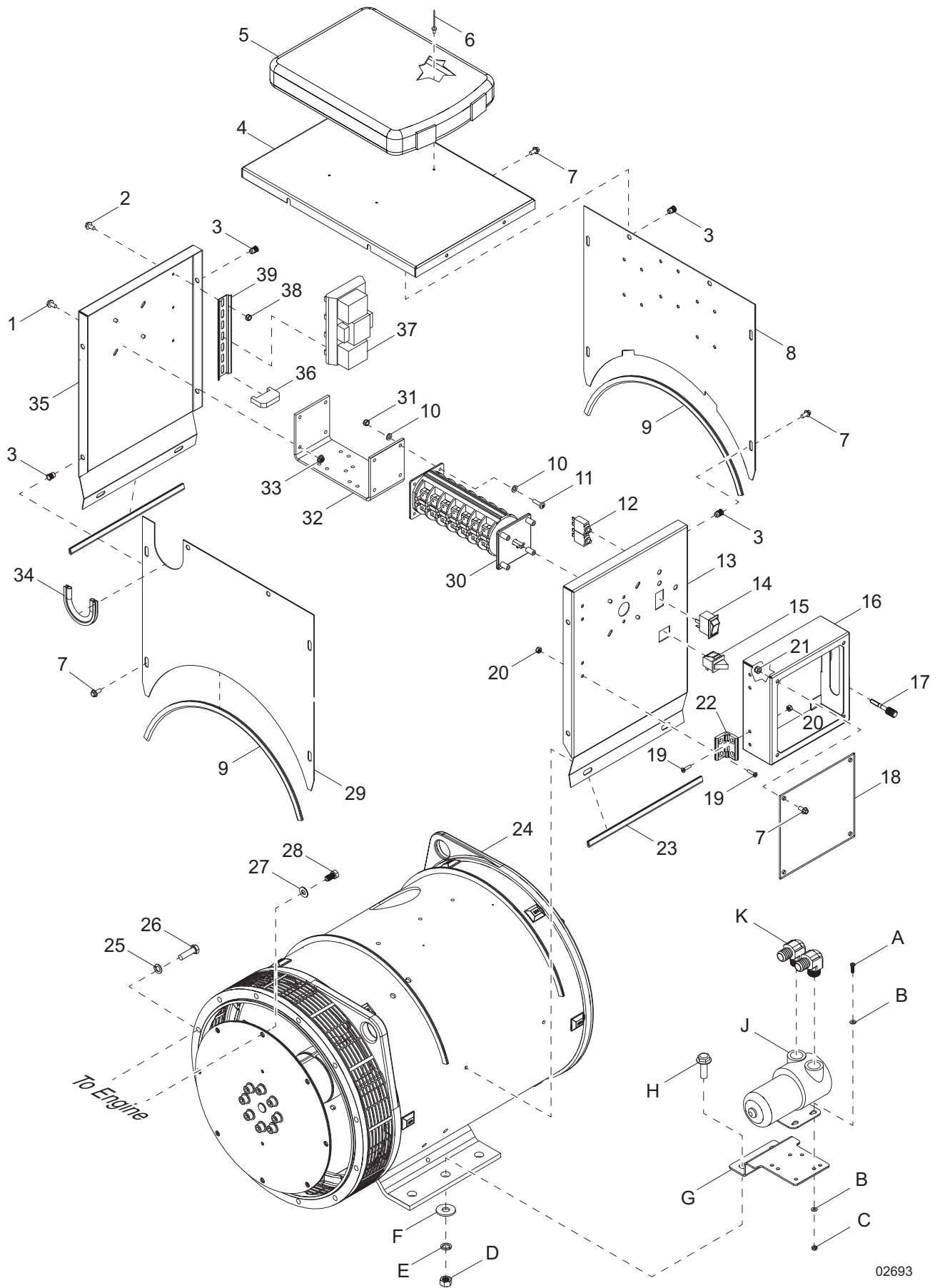
4 Position Phase Switch (if equipped):

A	65740	1	Lug block, 8 position	
B	28512B	1	Bracket, phase switch - 4 position	Replaces item 30
C	65667	1	Switch, phase - 125A, 4 position	Replaces item 27

DVR (if equipped):

D	61097	1	Nut, 8-32 serrated flange, G5	
E	10000023146	1	Screw, 8-32 x 3.5 - SS	
F	66891	1	Voltage regulator, DVR2000E+	
G	68478	1	Connector, receptacle 16 position TE flange	
H	10000022929	1	Bracket, DVR	

GENERATOR ASSEMBLY (V-FLEX OPTION)



02693

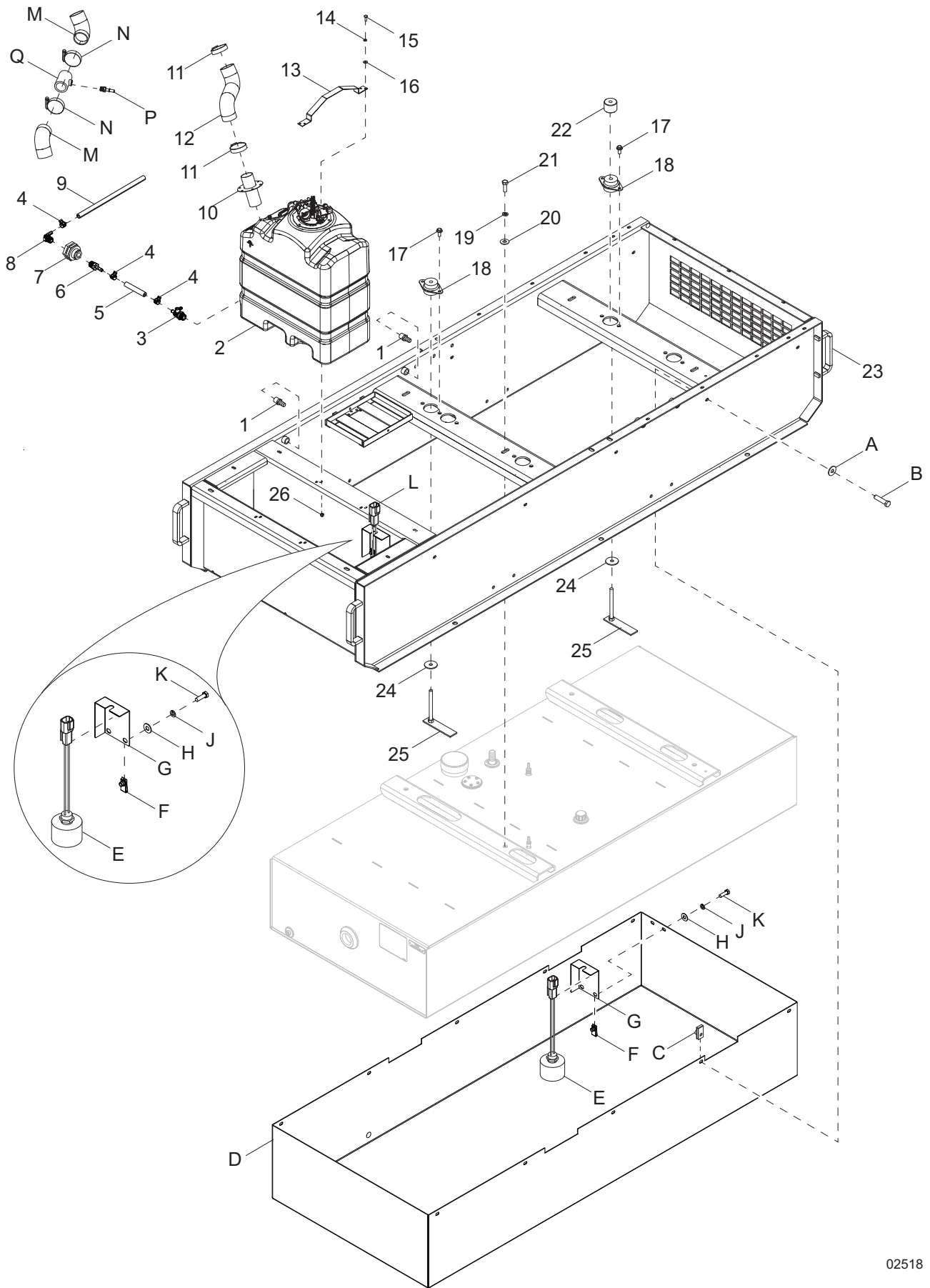
GENERATOR ASSEMBLY (V-FLEX OPTION)

Item	Part No.	Qty	Description	Notes
1	60115	8	Screw, M6-1.00 x 12 serrated flange hex, G8.8	
2	60277	2	Screw, 10-32 c .500 pan Phillips, G2	
3	62132	13	Insert, threaded .250-20 splined	
4	10000021999	1	Panel, generator box - top	
5	24540	1	Manual holder	
6	60268	4	Rivet, .188 diameter x .126to .250 grip - SS	
7	60175	16	Screw, .250-20 x .500 serrated flange hex, G5	
8	18769B	1	Panel, generator box - rear	
9	19351	2 ft	Seal, generator box	
10	60041	12	Washer, M5 flat	
11	60156	8	Screw, M5-0.80 x 16 pan Phillips, G4.8	
12	65850	2	Breaker, 10A 240V, 1 pole - push button	
13	A0001582136	1	Panel, switch - generator box	
14	66995	1	Switch, rocker DPST - on/off	
15	12632	1	Switch, trigger safety, N.O & N.C.	
16	10000017788	1	Cover, phase selector	
17	29344	1	Screw, .250-20 x 1.80 thumb	
18	55041	1	Door, phase switch	
19	73124	8	Screw, 10-24 x .875 flat head Phillips - SS	
20	60530	8	Nut, 10-24 nylock - SS	
21	60144	4	Nut, .250-20 nylock, G5	
22	35394	2	Hinge, small door	
23	19351	1 ft	Seal, generator box	
24	10000023453	1	Generator, Marathon - 361PSL36113 SAE 3	
25	60026	12	Washer, M10 split lock	
26	60055	12	Screw, M10-150 x 35 standard hex, G10.9	
27	60151	8	Washer, .375 flat	
28	60179	8	Screw, .375-16 x .750 standard hex, G8	
29	18772B	1	Panel, generator box - front	
30	65500	1	Switch, phase - 125A, 3 position	
31	60038	8	Nut, M5-.80 nylock, class 6	
32	23395B	1	Bracket, selector switch - 3 position	
33	60036	4	Nut, M6-1.00 serrated flange, G8.8	
34	19351	1 ft	Seal, U-channel	
35	10000032549	1	Panel, gen box side - V-Flex	
36	65674	2	Stop, 35MM DIN rail end	
37	66864	1	Assembly, transformer board - step down 2:1	
38	14231	2	Nut, 10-32 hex, G2	
39	67129	1	Rail, DIN 35MM x 8.00	

External Fuel Option (if equipped):

A	60850	4	Screw, 10-24 x .750 pan Phillips, G2
B	60237	8	Washer, #10 flat .495/.036
C	60457	4	Nut, 10-24 nylock, G2
D	60520	2	Nut, .625-11 hex, G8
E	60194	2	Washer, M16 split lock
F	60521	2	Washer, .625 flat 1.743/.108
G	10000036076	1	Bracket, fuel pump
H	61078	2	Screw, .625-11 x 2.00 flanged hex, G8
J	10000034664	1	Pump, fuel lift, 8GPM 12V
K	27673	2	Fitting, 90° .750MNPT X .750 barb - brass

SKID ASSEMBLY



02518

Item	Part No.	Qty	Description	Notes
1	60502	2	Fitting, straight .500MNPT x .625 barb - brass	
2	Contact Factory	1	Tank, DEF - Deere	
3	A0001275124	1	Valve, STRT .875-14UNFX.375 barb SS	
4	63250	3	Clamp, hose - spring type - CTB-16ST	
5	A0001302912	1	Hose, DEF drain	
6	A0001299913	1	Fitting, straight-.500MNPTX.375 barb poly	
7	10000025349	1	Fitting, bulkhead tank 1/2FNPT PP	
8	A0001235611	1	Fitting, 90°.500MNPTX.375 barb poly	
9	A0001302940	1	Hose, DEF drain	
10	10000019134	1	Adapter, DEF tank	
11	60316	2	Clamp, hose SAE 032 (1.56-2.50)	
12	10000016404	1	Hose, DEF fill 2.00 ID	
13	10000015994	2	Strap, DEF tank	
14	60704	8	Washer, .250 split lock - SS	
15	61195	8	Screw, .250-20 x .750 standard hex - SS	
16	60696	8	Washer, .250 flat - SS	
17	60018	8	Screw, M10-1.50 x 20 serrated flange hex	
18	18083	4	Isolator, 570/380 # - rubber	
19	60276	4	Washer, .500 split lock	
20	60309	4	Washer, .500 flat 1.060/.090	
21	61101	4	Screw, .500-13 x 1.50 standard hex, G8	
22	10000017775	2	Spacer, generator	
23	10000014817	1	Weldment, skid 75/100DF4	
24	18085	4	Washer, .510 snub	
25	26930	4	Weldment, anti-turn bolt .500 x 5.50	
26	60787	8	Nut, .250-20 nylock - SS	

Containment Pan (if equipped):

A	60452	10	Washer, .313 flat 1.125/1.0 bonded rubber, SS
B	60507	10	Screw, .312-18 x 1.0 standard hex, SS
C	60505	10	Nut, .312-18 U-clip - long type
D	10000030622	1	Pan, containment
--	10000030585	1	Pan, containment - DEF

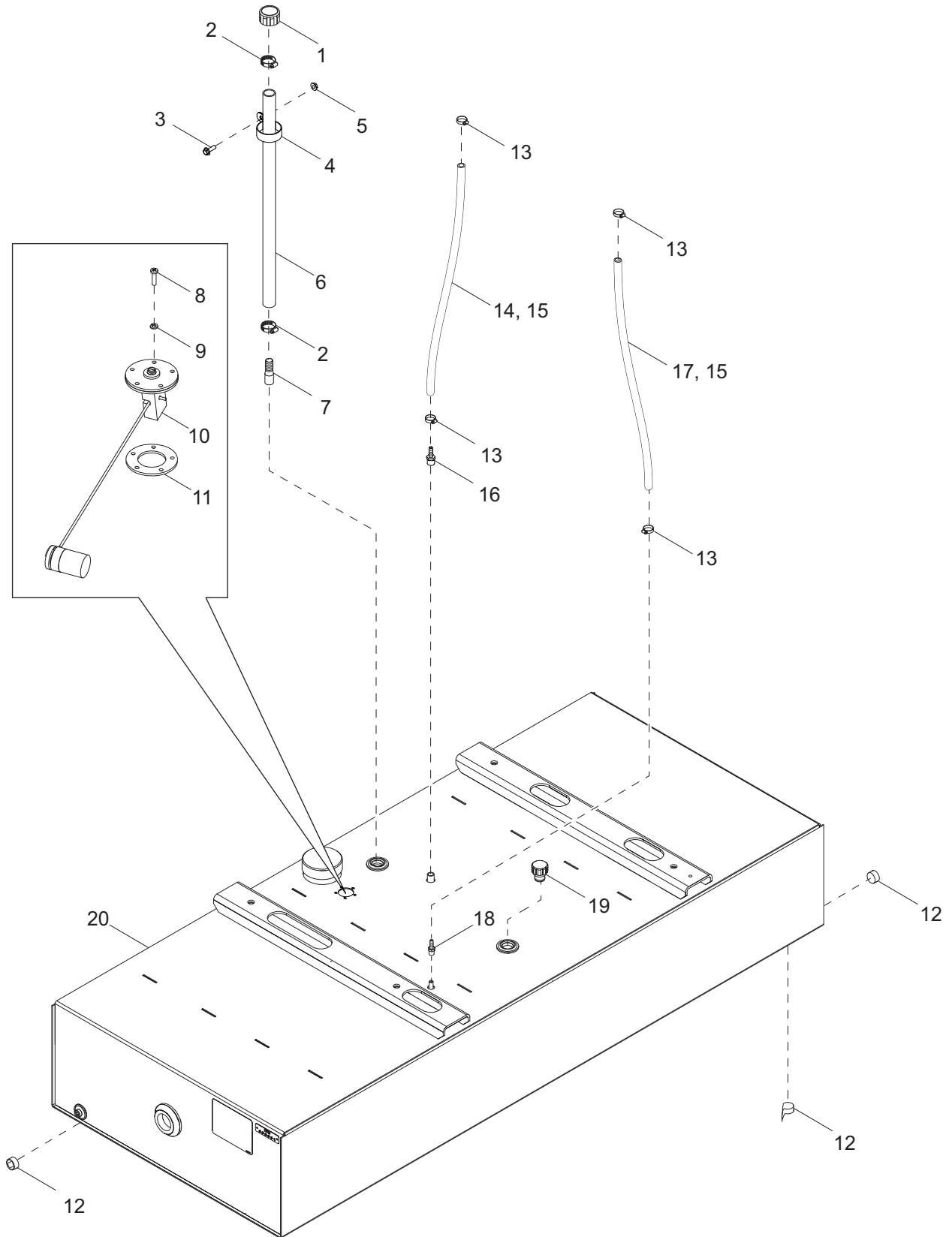
Leak Detection (if equipped):

E	10000018699	1	Assembly, float switch
F	61147	2	Nut, .312 U-clip, G5 - long type
G	10000024573	1	Bracket, leak detect
H	60119	2	Washer, .312 flat .875/.070
J	60271	2	Washer, .312 split lock
K	60028	2	Screw, .312-18 x 1.00 standard hex, G5
L	10000030623	2	Assembly, leak detect

External Fuel Option - Replaces Item 9 (if equipped):

M	10000036092	2	Hose, DEF fill - external fill
N	60316	2	Clamp, hose SAE 032 (1.56-2.50)
P	10000034686	1	Fitting, straight .375NPT x .375 barb - SS
Q	10000034623	1	Tube, tap sleeve

FUEL TANK ASSEMBLY

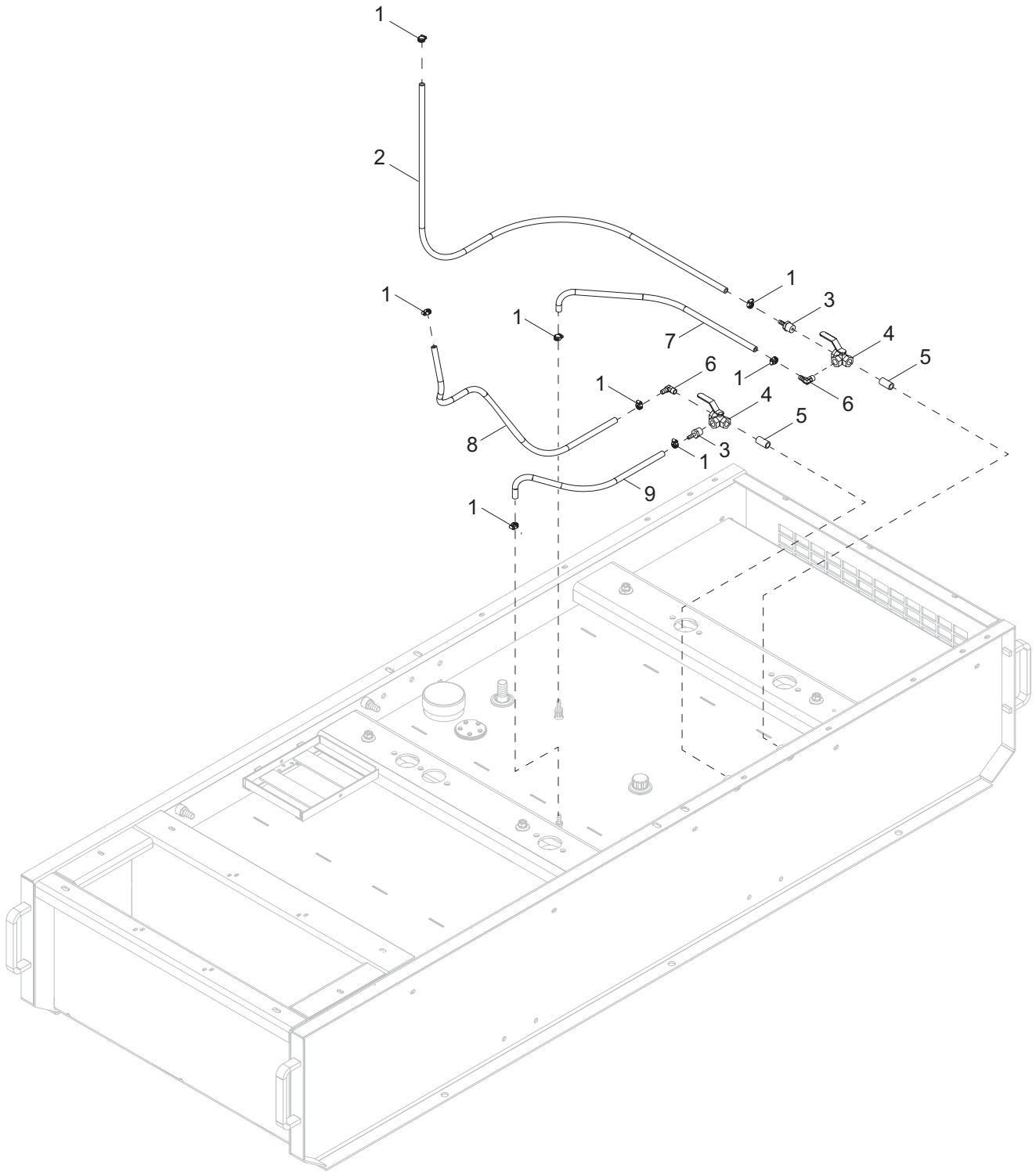


02519

FUEL TANK ASSEMBLY

Item	Part No.	Qty	Description	Notes
1	26379	1	Vent, plastic fuel 1.00 ID	
2	63254	2	Clamp, hose - size 35, spring type	
3	61091	1	Screw, .312-18 x 1.0 serrated flange hex, G5	
4	60716	1	Clamp, tubing - 1.50 lt duty	
5	60095	1	Nut, .312-18 serrated flange	
6	50019	3.46 ft	Hose, 1.0 in. SAE 20R3	
7	21451	1	Fitting, strt - 1.0MNPTx1.0 barb	
8	60062	5	Screw, 10-32 x .750 pan Phillips G2	
9	60252	5	Washer, #10 split lock	
10	20571	1	Sender, fuel - 10-15 in. tank	
11	22323	1	Gasket, fuel sending unit	
12	18394	3	Fitting, plug - .500NPT x internal hex	
13	63250	4	Clamp, hose - size 16, spring type	
14	50018	2.67 ft	Hose, fuel - .312 ID, 50 psi, SAE 30R7	
15	50023	6 ft	Loom, wire - .625	
16	19180	1	Fitting, strt - .375MNPT x .312 barb	
17	50018	2.92 ft	Hose, fuel - .312 ID, 50 psi, SAE 30R7	
18	15142	1	Fitting, straight .250NPT x .312 barb	
19	26379	1	Vent, fuel 1.00 ID - plastic	
20	10000016021	1	Tank, fuel - 75/100 T4F 24 hour	

FUEL TANK ASSEMBLY (IF EQUIPPED)

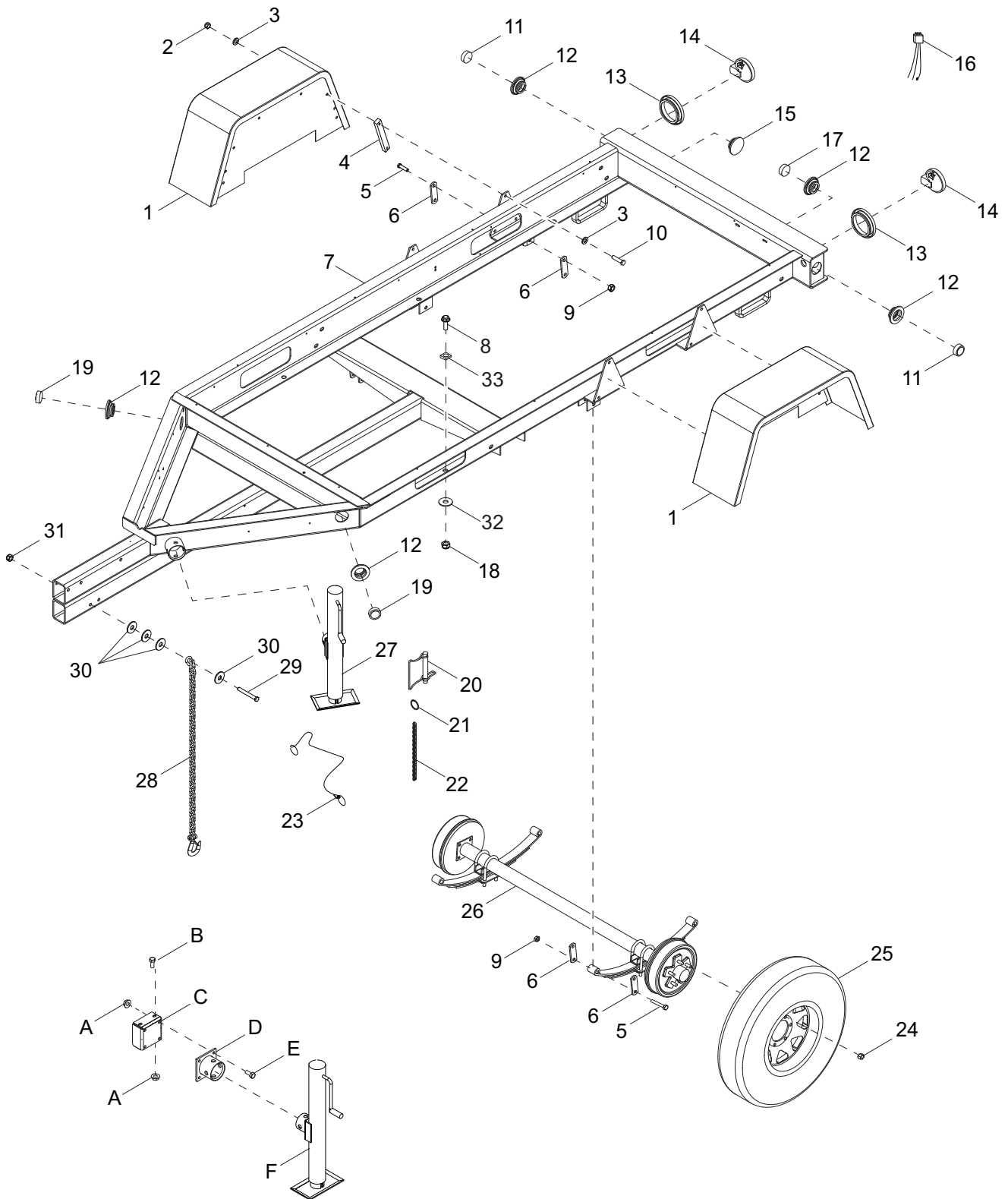


02520

FUEL TANK ASSEMBLY (IF EQUIPPED)

Item	Part No.	Qty	Description	Notes
1	14216	8	Clamp, hose SAE 004 (.21 - .62)	
2	50018	5.0 ft	Hose, fuel .312 ID 50 PSI SAE 30R7	
3	60999	2	Fitting, straight .500MNPT x .312 barb - brass	
4	60996	2	Valve, ball .500FNPT - 3 port	
5	40932	2	Fitting, nipple .500NPT x 2.00 - brass	
6	61159	2	Fitting, 90° .500MNPT x .375 barb - brass	
7	50018	2.0 ft	Hose, fuel .312 ID 50 PSI SAE 30R7	
8	50018	3.0 ft	Hose, fuel .312 ID 50 PSI SAE 30R7	
9	50018	1.62 ft	Hose, fuel .312 ID 50 PSI SAE 30R7	

TRAILER ASSEMBLY - SINGLE AXLE



02521

TRAILER ASSEMBLY - SINGLE AXLE

Item	Part No.	Qty	Description	Notes
1	A0000295704	2	Fender, single wheel	
2	60303	8	Nut, .312-18 nylock, G2	
3	60340	16	Washer, .312 flat .875/.040, SS	
4	23500B	4	Bracket, fender extension	
5	60503	6	Screw, shackle - .562-18 x 3.0 standard hex, G5	
6	19637	4	Plate, shackle bracket - 3.125 in	
7	30415B	1	Weldment, trailer - single axle	
8	60994	6	Screw, .625-11 x 1.50 flange hex, G8	
9	60504	6	Nut, .562-18 lock, G5	
10	60785	8	Screw, .312-18 x 2.0 standard hex, SS	
11	66703	2	Light, clearance, 2.0 in., no grommet - red LED	
12	66394	5	Grommet, sealed beam light, rubber 2.0 in	
13	10221	2	Grommet, rear light, rubber 4.5 in	
14	66701	2	Light, rear tail/turn, rnd, no grommet LED	
15	62161	1	Plug, hole - 2.25 diameter	
16	10222	2	Plug, rear light, 3-wire w/grommet	For turn/tail lights
17	66704	1	Light, utility, 2.0 in., no grommet - clear LED	
18	60240	6	Nut, .625-11 nylock, G5	
19	66702	2	Light, clearance, 2.0 in., no grommet - amber LED	
20	23256	1	Pin, jack - 2000 lb, tube mounted	
21	60706	1	Ring, split - 1.00, SS	
22	60707	.67 ft	Chain, sash - No. 8, SS	
23	12647	1	Cable, tether - jack pin	
24	60096	12	Nut, .500-20 lug, G5	
25	30389B	2	Wheel, ST225/75R15	
26	30421	1	Assembly, axle	
27	13050	1	Jack, side wind - 2000 lb, tube mounted	
28	23367	2	Chain, safety - 7,800 lbs rated	
29	60376	2	Screw, .500-13 x 4.50 standard hex, G5	
30	60416	8	Washer, .500 flat 1.375/.090	
31	62221	2	Nut, .500-13 nylock, G5	
32	60651	6	Washer, square bevel structural .625	
33	60193	6	Washer, M16 flat	
--	66770	1	Harness, trailer	

Stabilizer Kit (if equipped):

A	60145	12	Nut, .375-16 serrated flange lock, G5
B	60205	4	Screw, .375-16 x 1.00 standard hex, G5
C	10000023491	2	Bracket, stabilizer
D	11965Z	2	Weldment, jack adapter
E	60179	8	Screw, .375-16 x .750 standard hex, G8
F	13050	2	Jack, side wind - 2000 lb, tube mounted

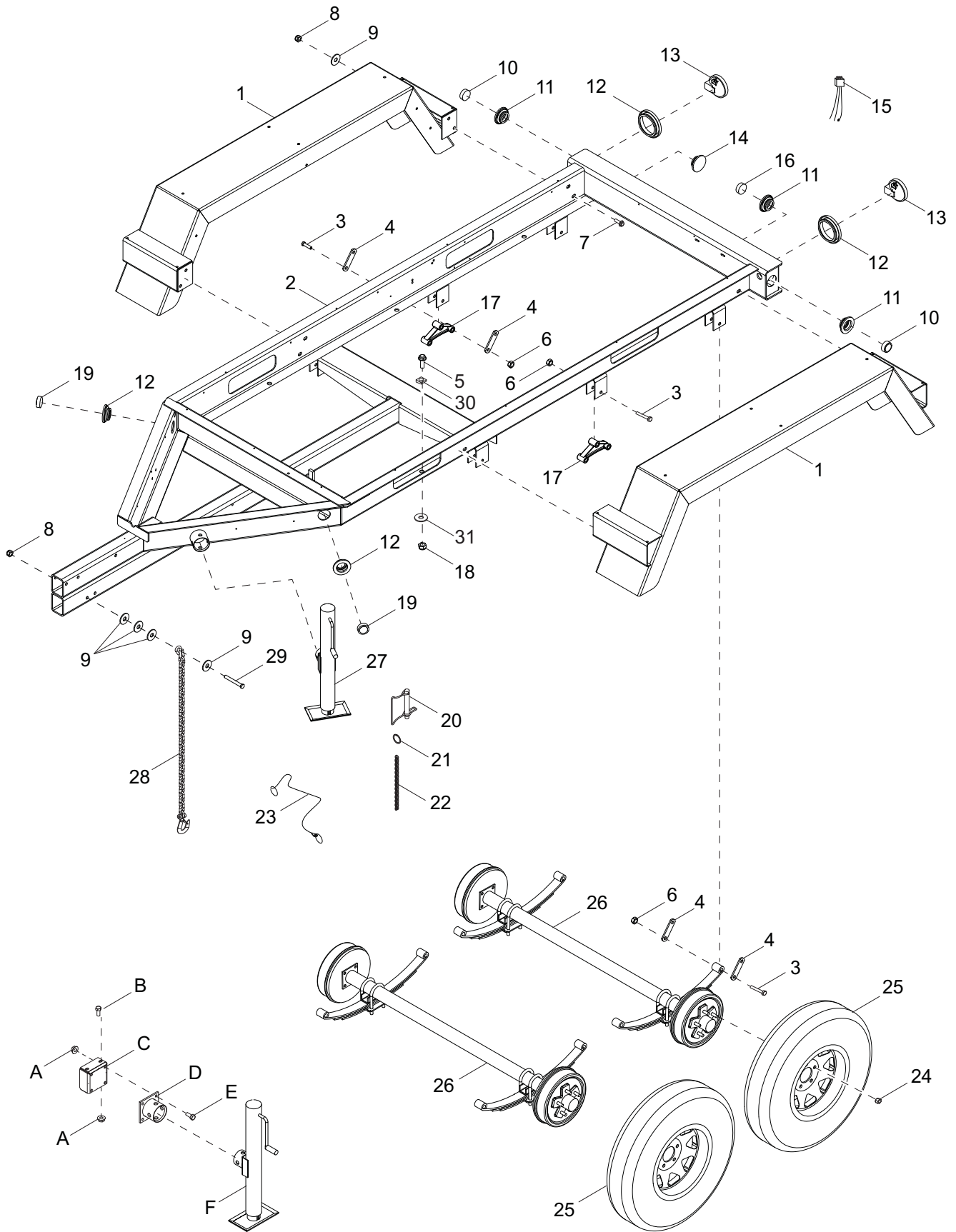
Electric Brake (if equipped):

--	65746	1	Harness, electric brake
--	61010	1	Clamp, tubing - .375 heavy duty

Adapters (if equipped):

--	65465	1	Adapter, trailer wiring - flat 4 to round 7 blade
--	65593	1	Adapter, trailer wiring - 4 pin and 2 pin to 6 pin
--	65583	1	Adapter, trailer wiring - round 6 pin to round 7 spade

TRAILER ASSEMBLY - TANDEM AXLE



02522

TRAILER ASSEMBLY - TANDEM AXLE

Item	Part No.	Qty	Description	Notes
1	23141B	2	Fender, tandem	
2	30456B	1	Weldment, trailer frame	
3	60503	14	Screw, shackle - .562-18 x 3.0 standard hex, G5	
4	19637	8	Plate, shackle bracket - 3.125 in	
5	N/A	6	Screw, .625-11 x 1.50 flange hex, G8	
6	60504	14	Nut, .562-18 lock, G5	
7	61103	8	Screw, .500-13 x 1.75 serrated flange hex	
8	62221	10	Nut, .500-13 nylock, G5	
9	60416	24	Washer, .500 flat 1.375/.090	
10	66703	2	Light, clearance, 2.0 in., no grommet - red LED	
11	66394	5	Grommet, sealed beam light, rubber 2.0 in	
12	10221	2	Grommet, rear light, rubber 4.5 in	
13	66701	2	Light, rear tail/turn, round, no grommet LED	
14	62161	1	Plug, hole - 2.25 diameter	
15	10222	2	Plug, rear light, 3-wire w/ grommet	For turn/tail lights
16	66704	1	Light, utility, 2.0 in., no grommet - clear LED	
17	40545	2	Equalizer, tandem axle - 5.625 centers	
18	60240	6	Nut, .625-11 nylock, G5	
19	66702	2	Light, clearance, 2.0 in., no grommet - amber LED	
20	23256	1	Pin, jack - 2000 lb, tube mounted	
21	60706	1	Ring, split - 1.00, SS	
22	60707	.67 ft	Chain, sash - No. 8, SS	
23	12647	1	Cable, tether - jack pin	
24	60096	20	Nut, .500-20 lug, G5	
25	15540	4	Wheel, ST205/75R15, 1598 lb	
26	30421	2	Assembly, axle	
27	13050	1	Jack, side wind - 2000 lb, tube mounted	
28	23367	2	Chain, safety - 7,800 lbs rated	
29	60376	2	Screw, .500-13 x 4.50 standard hex, G5	
30	60651	6	Washer, square bevel structural .625	
31	60193	6	Washer, M16 flat	
--	66770	1	Harness, trailer	

Stabilizer Kit (if equipped):

A	60145	12	Nut, .375-16 serrated flange lock, G5
B	60205	4	Screw, .375-16 x 1.00 standard hex, G5
C	10000023491	2	Bracket, stabilizer
D	11965Z	2	Weldment, jack adapter
E	60179	8	Screw, .375-16 x .750 standard hex, G8
F	13050	2	Jack, side wind - 2000 lb, tube mounted

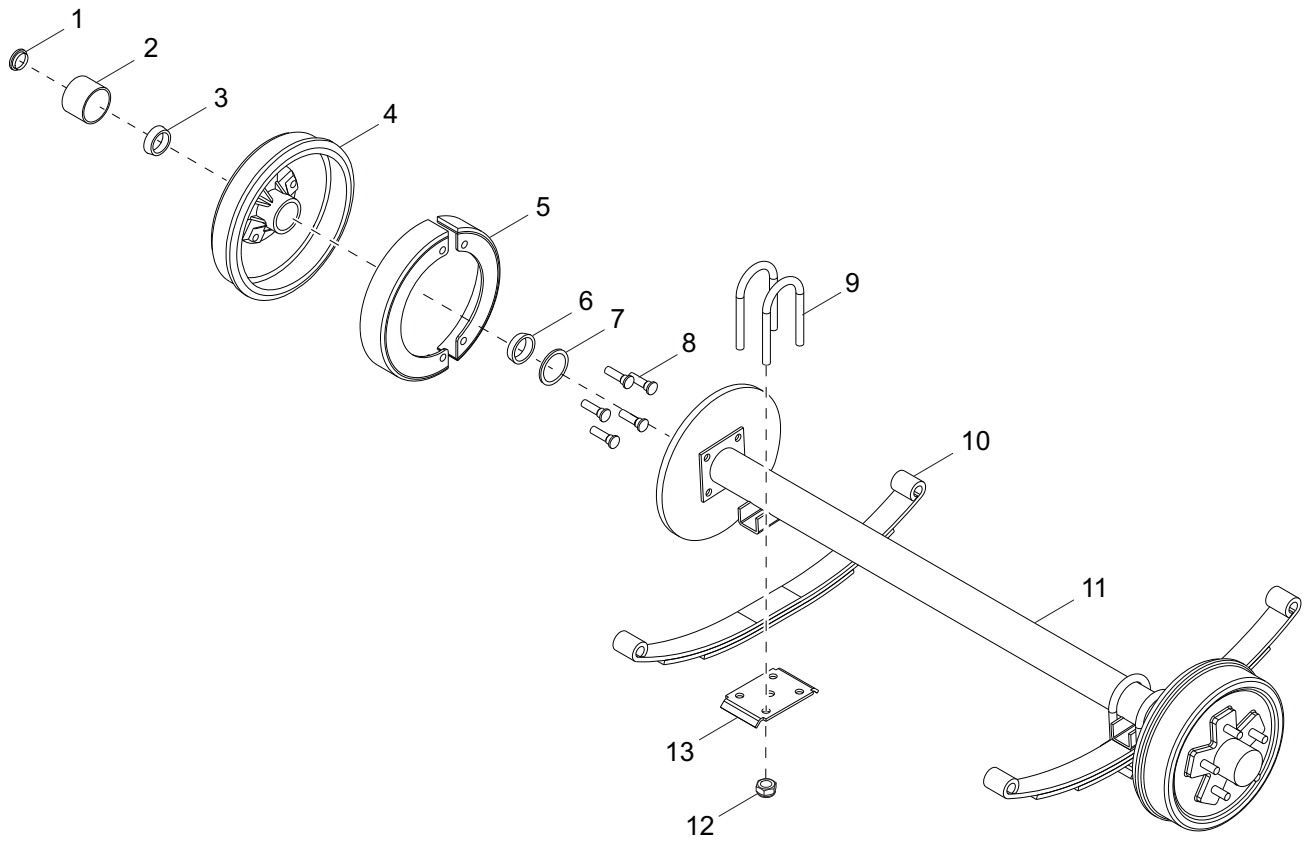
Electric Brake (if equipped):

--	65746	1	Harness, electric brake
--	61010	1	Clamp, tubing - .375 heavy duty

Adapters (if equipped):

--	65465	1	Adapter, trailer wiring - flat 4 to round 7 blade
--	65593	1	Adapter, trailer wiring - 4 pin and 2 pin to 6 pin
--	65583	1	Adapter, trailer wiring - round 6 pin to round 7 spade

AXLE ASSEMBLY



00042

AXLE ASSEMBLY

Item	Part No.	Qty	Description	Notes
1	11254	2	Plug, grease cap - zerk	
2	23170	2	Cap, grease	
3	26585	2	Outer hub bearing	
4	40958	2	Hub/brake drum, 3500 lb	
5	26571	1	Surge brake assy, LH	
--	26572	1	Surge brake assy, RH	
6	26576	2	Inner hub bearing	
7	26575	2	Inner grease seal - 2.125 in	
8	60963	10	Stud, wheel - .500-20, 5000 lb	
9	40875	4	U-bolt, axle	
10	27137	2	Spring, 6000 lb axle	
11	30421	1	Axle, 6000 lb surge	
12	11203	8	Nut, axle (U-bolt), 2200 lb	
13	40874	2	Tie plate, axle	

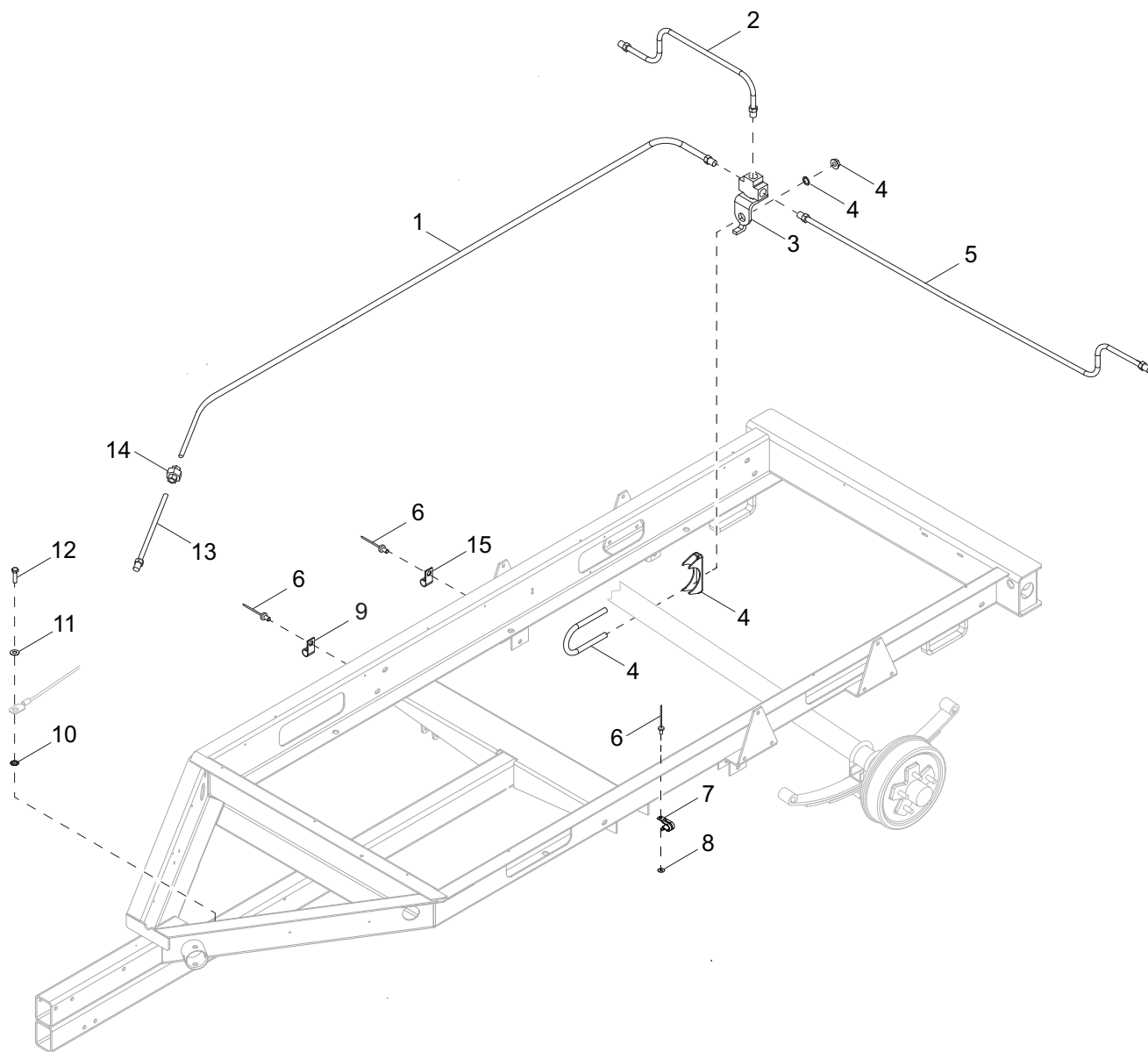
Tandem Axle (if equipped):

--	33061	1	Axle, 3500 lb surge	
--	33063	1	Axle, 6000 lb electric	

Tandem Axle Electric Brake (if equipped):

--	33062	1	Axle, 3500 lb electric	
----	-------	---	------------------------	--

TRAILER BRAKE LINES - SINGLE AXLE

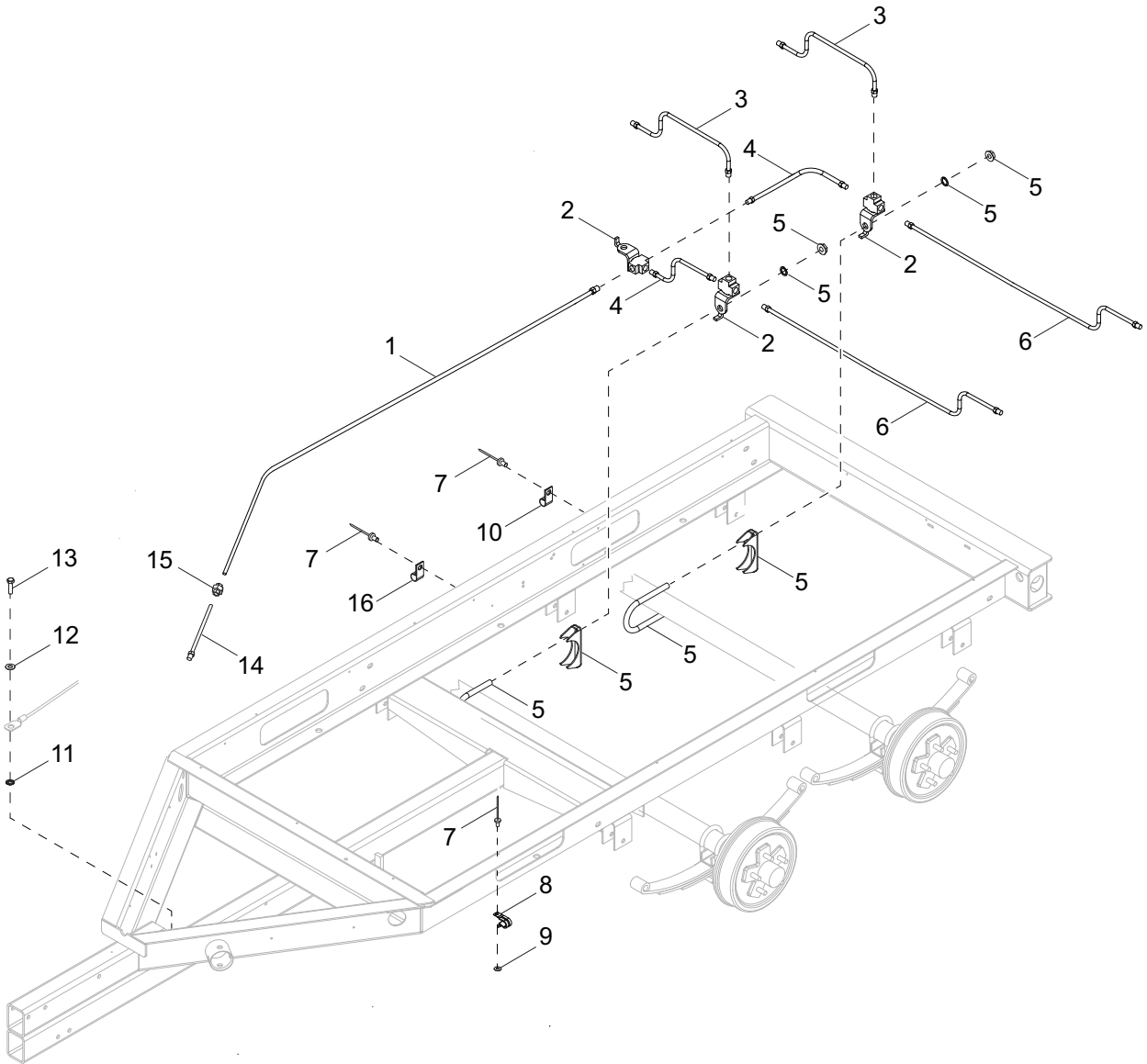


00923

TRAILER BRAKE LINES - SINGLE AXLE

Item	Part No.	Qty	Description	Notes
1	23250	1	Hose, brake - .188 x 94.0 male/male	
2	40495	1	Line, brake - .188 x 20.0	
3	19252	1	Fitting, strt - .188 brake line T-w/bracket	
4	18821	1	Clamp, muffler - 3.0	
5	40493	1	Line, brake - .188 x 40.0	
6	61155	17	Rivet, .188 diameter x .438 to .750 grip	
7	16143	11	Clamp, tubing - .500	
8	60237	11	Washer, #10 flat .495/.036	
9	15626	5	Clamp, tubing - .375, light duty	
10	60053	1	Washer, .375 external star	
11	60698	1	Washer, .375 flat .875/.040, SS	
12	60353	1	Screw, .375-16 x 1.0 flange hex, G2, self tapping	
13	40817	1	Hose, brake - .188 x 33.0 male/male	
14	22339	1	Fitting, strt - .188 brake line coupler	
15	61010	1	Clamp, tubing - .375 heavy duty	

TRAILER BRAKE LINES - TANDEM AXLE

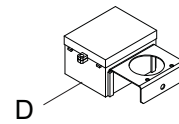
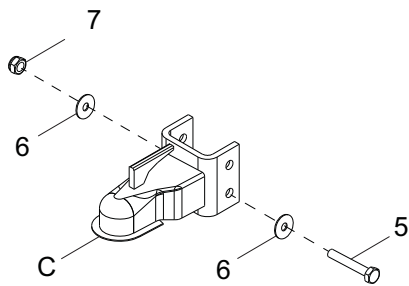
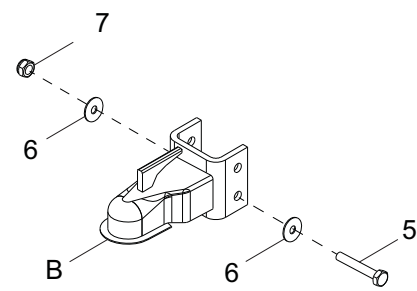
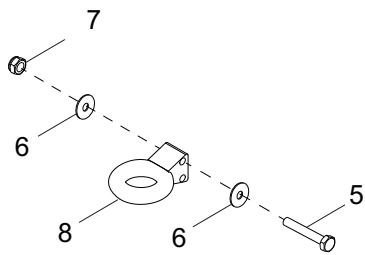
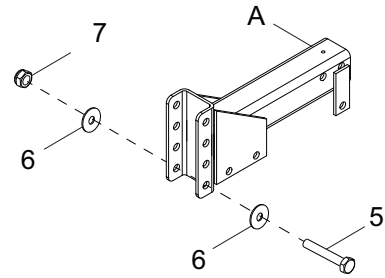
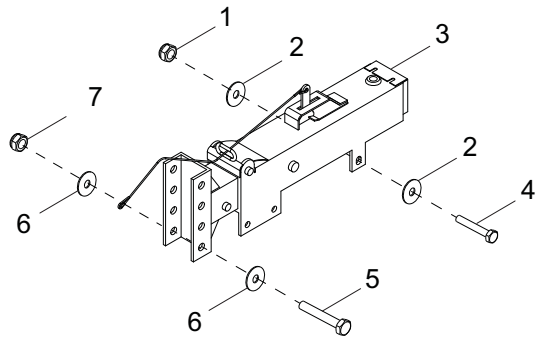


00924

TRAILER BRAKE LINES - TANDEM AXLE

Item	Part No.	Qty	Description	Notes
1	23250	1	Hose, brake - .188 x 94.0 male/male	
2	19252	3	Fitting, strt - .188 brake line T-w/bracket	
3	40495	2	Line, brake - .188 x 20.0	
4	40817	2	Hose, brake - .188 x 33.0 male/male	
5	18821	2	Clamp, muffler - 3.0 heavy duty	
6	40493	2	Line, brake - .188 x 40.0	
7	61155	20	Rivet, .188 diameter x .438 to .750 grip	
8	16143	13	Clamp, tubing - .500	
9	60237	16	Washer, #10 flat .495/.036	
10	15626	7	Clamp, tubing - .375 light duty	
11	60053	1	Washer, .375 external star	
12	60698	1	Washer, .375 flat .875/.040, SS	
13	60353	1	Screw, .375-16 x 1.0 flange hex, G2	
14	40818	1	Hose, brake - .188 x 12.0 male/male	
15	22339	1	Fitting, strt - .188 brake line coupler	
16	61010	1	Clamp, tubing - .375 heavy duty, .375 bolt	

TRAILER HITCH OPTIONS

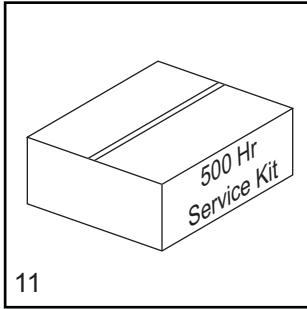
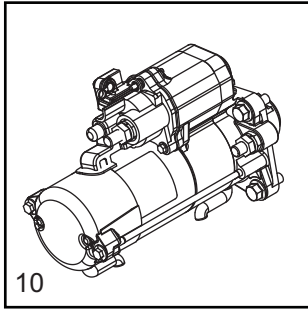
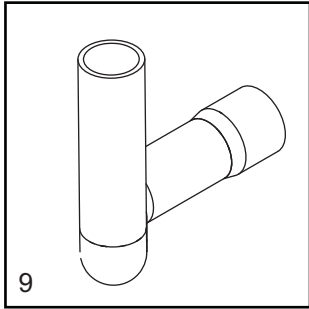
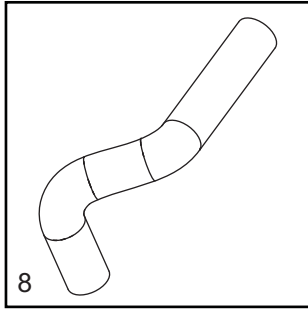
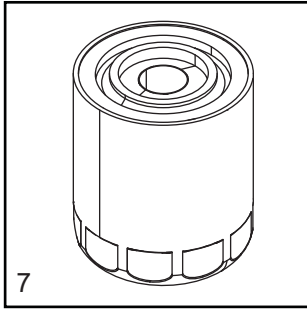
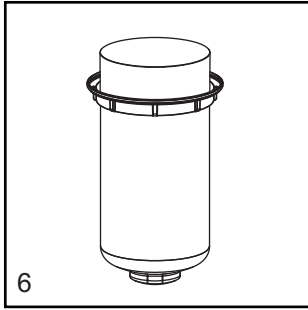
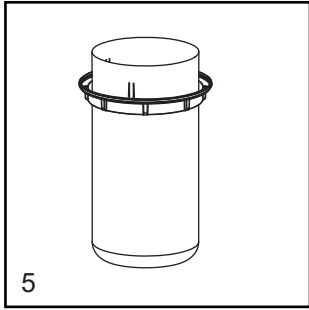
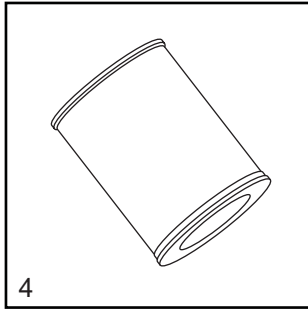
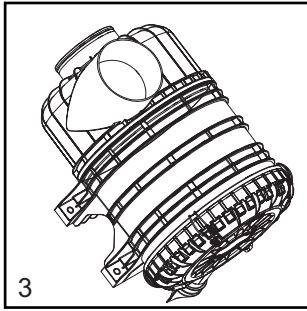
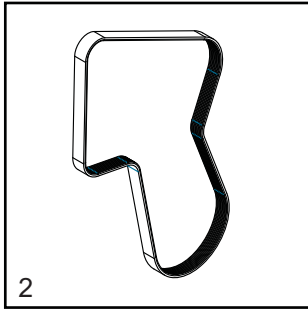
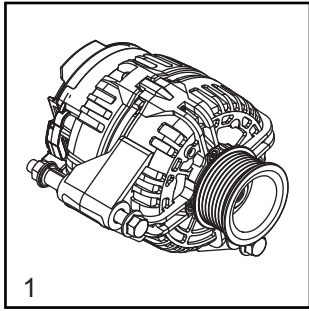


00045

TRAILER HITCH OPTIONS

Item	Part No.	Qty	Description	Notes
1	62221	3	Nut, .500-13 nylock, G5	
2	60309	6	Washer, .500 flat 1.060/.090	
3	40529	1	Actuator, hyd. surge brake - 7500 lb	Adjustable
4	60376	3	Screw, .500-13 x 4.50 standard hex, G5	
5	60239	2	Screw, .625-11 x 5.0 standard hex, G5	
6	60193	4	Washer, M16 flat	
7	60240	2	Nut, .625-11 nylock, G5	
8	19335B	1	Coupler, lunette ring - 3.00 ID	Adjustable
<i>Electric Brake (if equipped):</i>				
A	19379B	1	Weldment, hitch electric - 4 position. adj	Replaces item 3
D	19417	1	Breakaway kit	
<i>Adjustable Couplers (if equipped):</i>				
B	19519	1	Coupler, 2.31 in. ball	Replaces item 8
C	19518	1	Coupler, 2.00 in. ball	Replaces item 8

RECOMMENDED SPARE PARTS - ENGINE AND SERVICE KITS



RECOMMENDED SPARE PARTS - ENGINE AND SERVICE KITS

ENGINE

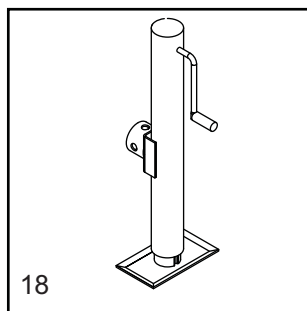
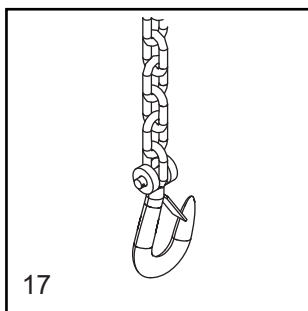
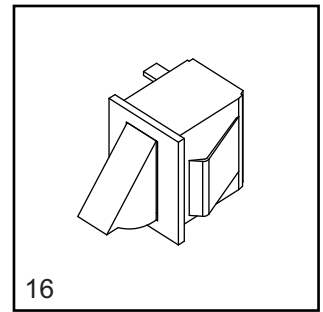
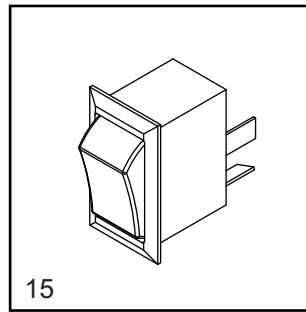
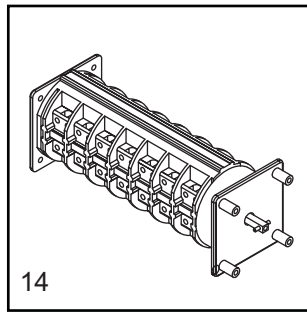
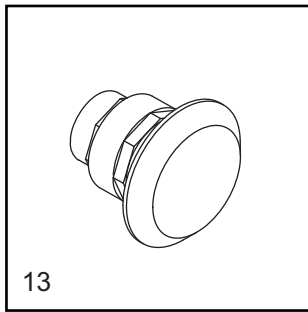
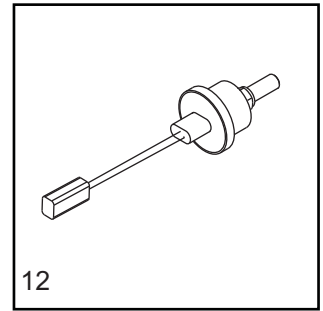
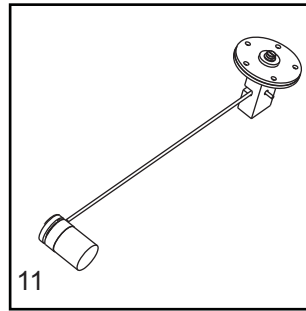
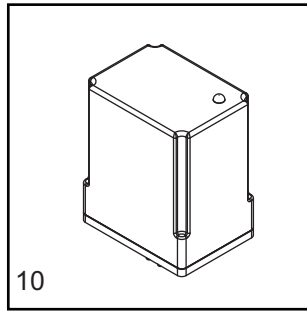
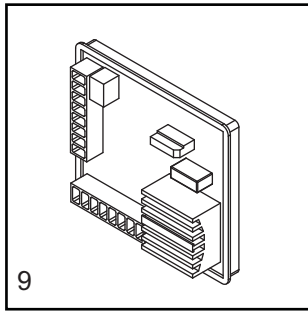
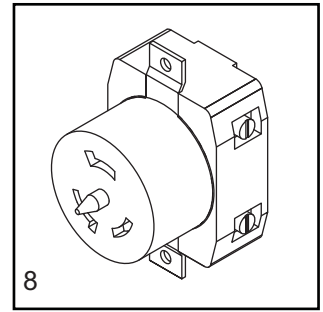
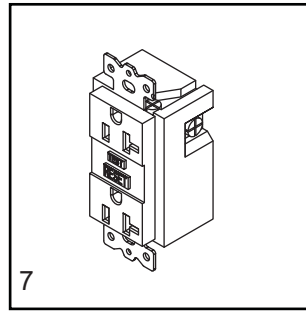
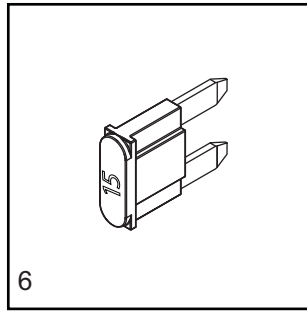
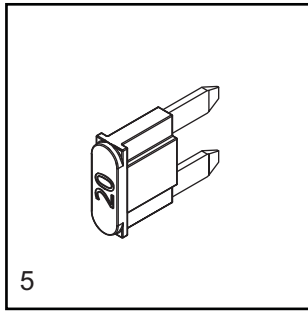
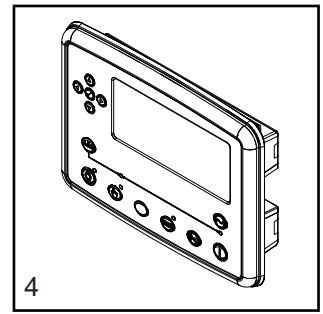
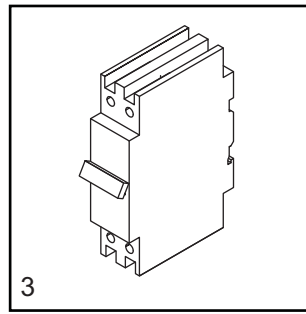
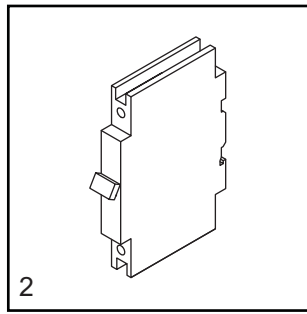
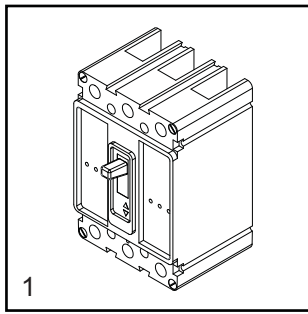
1. Alternator	33026
2. Belt, fan	33021
Belt (SLA)	10000033541
3. Filter, air - housing assembly	26465
4. Filter, air - element	26722
5. Filter, fuel - primary	10000018039
6. Filter, fuel - secondary	10000030989
7. Filter, oil	22378
8. Hose, radiator - lower	10000015665
9. Hose, radiator - upper	10000015694
10. Starter	33027

SERVICE KITS

11. 500 hour kit	10000031035
------------------------	-------------

Includes: Air Filter 26722, Primary Fuel Filter 10000018039, Secondary Fuel Filter 10000030989, Engine Belt 33021, OVR Filter 10000031050 and Oil Filter 22378

RECOMMENDED SPARE PARTS - ELECTRICAL AND TRAILER



03662

RECOMMENDED SPARE PARTS - ELECTRICAL AND TRAILER

ELECTRICAL

1. Breaker, main	65372
2. Breaker, 20A.....	18091
3. Breaker 50A.....	18092
4. Controller, programmed.....	Call
5. Fuse, 20 A	66445
6. Fuse, 15A	65211-15
7. Receptacle, 120V/20A GFI	14130
8. Receptacle, 240V/50A twist lock	18089
9. Regulator, voltage.....	68015
10. Relay (Optional).....	66455
11. Sender, fuel.....	20571
12. Sensor, low coolant	65592
13. Switch, E-stop assembly	34989SRV
14. Switch, phase - 3 position.....	65500
15. Switch, rocker	66996
16. Switch, trigger safety	12632

TRAILER

17. Chain, safety.....	23367
18. Jack, side wind	13050

Note: To order replacement controller, contact Generac Mobile Products with unit serial number

Part No. A0000393908 Rev. B 12/09/2021

©2021 Generac Mobile Products, LLC
All rights reserved.

Specifications are subject to change without notice.
No reproduction allowed in any form without prior written consent
from Generac Mobile Products, LLC.



Generac Mobile Products, LLC
215 Power Drive, Berlin, WI 54923
GeneracMobileProducts.com | 800-926-9768 | 920-361-4442