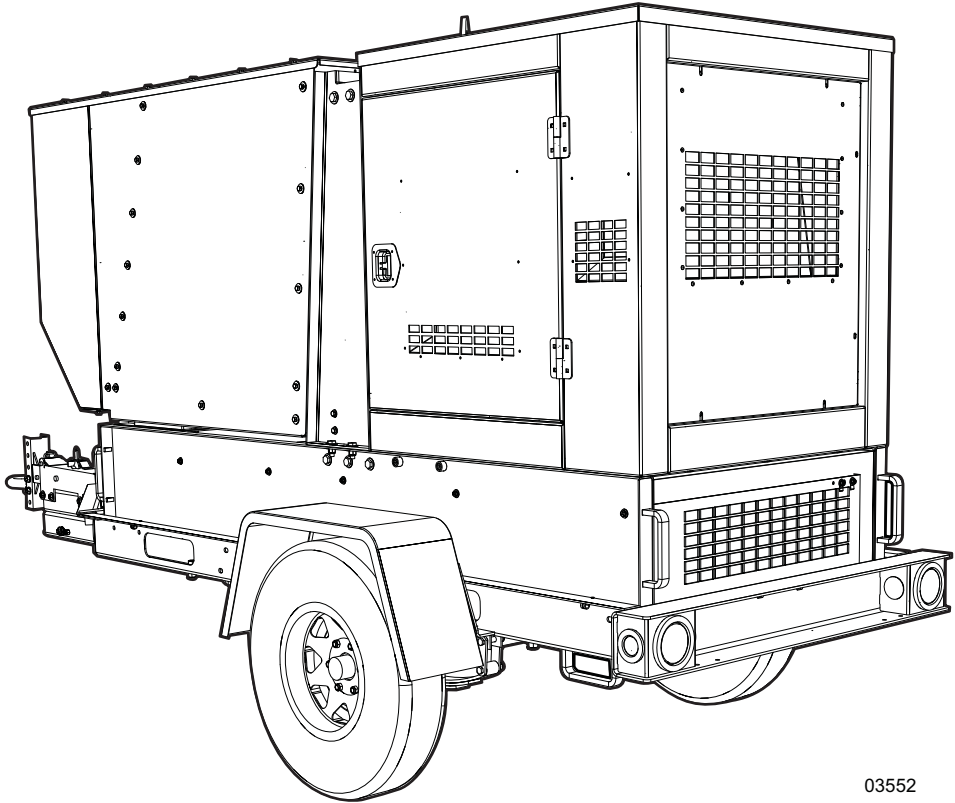


MDG100DF4

Diesel Generator Parts Manual



03552

MODEL NUMBER: _____

SERIAL NUMBER: _____

DATE PURCHASED: _____

SAVE THIS MANUAL FOR FUTURE REFERENCE

 **WARNING**

CANCER AND REPRODUCTIVE HARM

www.P65Warnings.ca.gov.

(000393a)

 **WARNING**

Breathing diesel engine exhaust exposes you to chemicals known to the State of California to cause cancer and birth defects or other reproductive harm.

- Always start and operate the engine in a well-ventilated area.
- If in an enclosed area, vent the exhaust to the outside.
- Do not modify or tamper with the exhaust system.
- Do not idle the engine except as necessary.

For more information go to

www.P65Warnings.ca.gov/diesel.

(000394)

Introduction

This parts manual was prepared based on the information available at the time of publication and is subject to change without notice. Generac Mobile Products reserves the right to change parts at any time. To check whether a revised parts manual is available, contact Generac Mobile Products.

DO NOT MODIFY or use this equipment for any application other than which it was designed for. To keep your equipment fully operational, it is suggested you maintain a stock of commonly used maintenance or service parts. A recommended spare parts list can be found in the back of this manual. To order service parts, please go to www.generacmobileproducts.com or call Generac Mobile Products.



WARNING

Consult Manual. Read and understand manual completely before using product. Failure to completely understand manual and product could result in death or serious injury. (000100a)

WARNING

Environmental Hazard. Always recycle batteries at an official recycling center in accordance with all local laws and regulations. Failure to do so could result in environmental damage, death, or serious injury. (000228)

GENERAC MOBILE PRODUCTS LLC

215 Power Drive • Berlin, WI 54923 U.S.A.

Phone: 920-361-4442

FAX: 920-361-4416

Toll Free: 1-800-926-9768

www.generacmobileproducts.com

For technical or parts QUESTIONS, contact Generac Mobile Products Technical Service at 1-800-926-9768.

Engine Make: _____

Engine Serial Number: _____

Engine Model Number: _____

This Page Intentionally Left Blank

Table of Contents

| | |
|---|-----|
| Introduction | iii |
| Parts Manual Instructions | 1 |
| Unit Decals - Exterior | 2 |
| Unit Decals - Left Side Interior | 4 |
| Unit Decals - Right Side Interior | 6 |
| Unit Decals - Control Box | 8 |
| Enclosure Panels | 10 |
| Doors, Roof, Rear Panel, and Front Hood to Unit | 12 |
| Front Hood Assembly (1 of 2) | 14 |
| Front Hood Assembly (2 of 2) | 16 |
| Left Rear Door Assembly | 18 |
| Control Door Assembly | 20 |
| Rear Panel Assembly | 22 |
| End and Side Panels to Unit | 24 |
| Rear Corner Panels to Unit | 26 |
| Left Rear Corner Assembly | 28 |
| Right Rear Corner Assembly | 30 |
| Control Box to Unit | 32 |
| Control Box Assembly (1 of 2) | 34 |
| Control Box Assembly (2 of 2) | 36 |
| Control Panel Assembly | 38 |
| Lug Box Assembly | 40 |
| Receptacle Panel Assembly | 42 |
| Lift Structure Assembly | 46 |
| Lift Structure Assembly - External Fuel (If Equipped) | 48 |
| Air Filter Assembly | 50 |
| Exhaust System Assembly | 52 |
| Cooling System Assembly | 54 |
| Cooling System Hoses | 56 |
| Engine and Generator to Skid Assembly | 58 |
| Engine Assembly | 60 |
| Generator Assembly | 62 |
| Generator Assembly (V-Flex Option) | 64 |
| Skid Assembly | 66 |
| Fuel Tank Assembly | 68 |
| Fuel Tank Assembly (optional) | 70 |
| Trailer Assembly - Single Axle | 72 |
| Trailer Assembly - Tandem Axle | 74 |
| Axle Assembly | 76 |
| Trailer Brake Lines - Single Axle | 78 |
| Trailer Hitch Options | 82 |
| Recommended Spare Parts - Engine and Service Kits | 84 |
| Recommended Spare Parts - Electrical and Trailer | 86 |

This Page Intentionally Left Blank

Parts Manual Instructions

Product illustrations are only representations. Products supplied may vary from the illustrations in this parts manual. Parts not shown in the illustration are indicated by a double dash (--) in the item column.

Please be prepared to provide the following information when ordering replacement parts: model number, serial number (on unit serial tag), part number, purchase order number (if applicable), shipping address, shipping method.

Refer to the illustration below to locate the unit ID tag and Vehicle Identification Number (VIN) tag on the unit. Important information, such as the unit serial number, model number, VIN and tire loading information are found on these tags. Record the information from these tags so it is available if the tags are lost or damaged. When ordering parts or requesting assistance, you may be asked to provide this information.

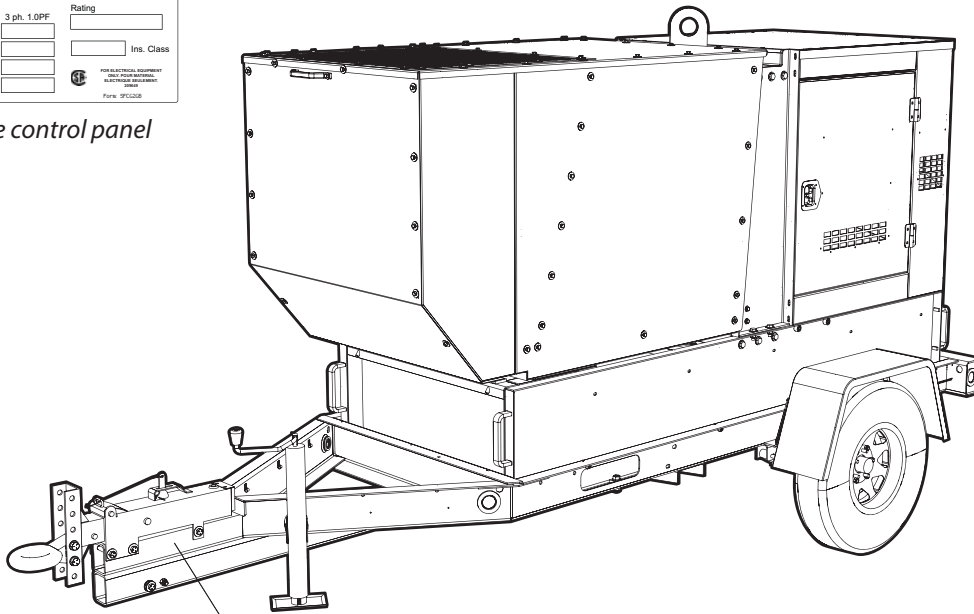
UNIT ID Tag

Manufactured by Generac Mobile Products LLC.
 (920) 361-4442 (800) 926-9788

| | | |
|--------------------|-----------------|---------------|
| Country of Origin | Model | Serial Number |
| Manufacturing Code | Weight (lbs/kg) | RPM/Frequency |
| 1 ph. 1.0PF | 3 ph. .8PF | 3 ph. 1.0PF |
| Rating | | |
| KW | | |
| KVA | | |
| V | | |
| A | | |
| | | Ints. Class |

APRIL 2010 EDITION EQUIPMENT
 (SEE YOUR OWNERS
 MANUAL FOR DETAILS)
 Part No. 310202

Located on the control panel

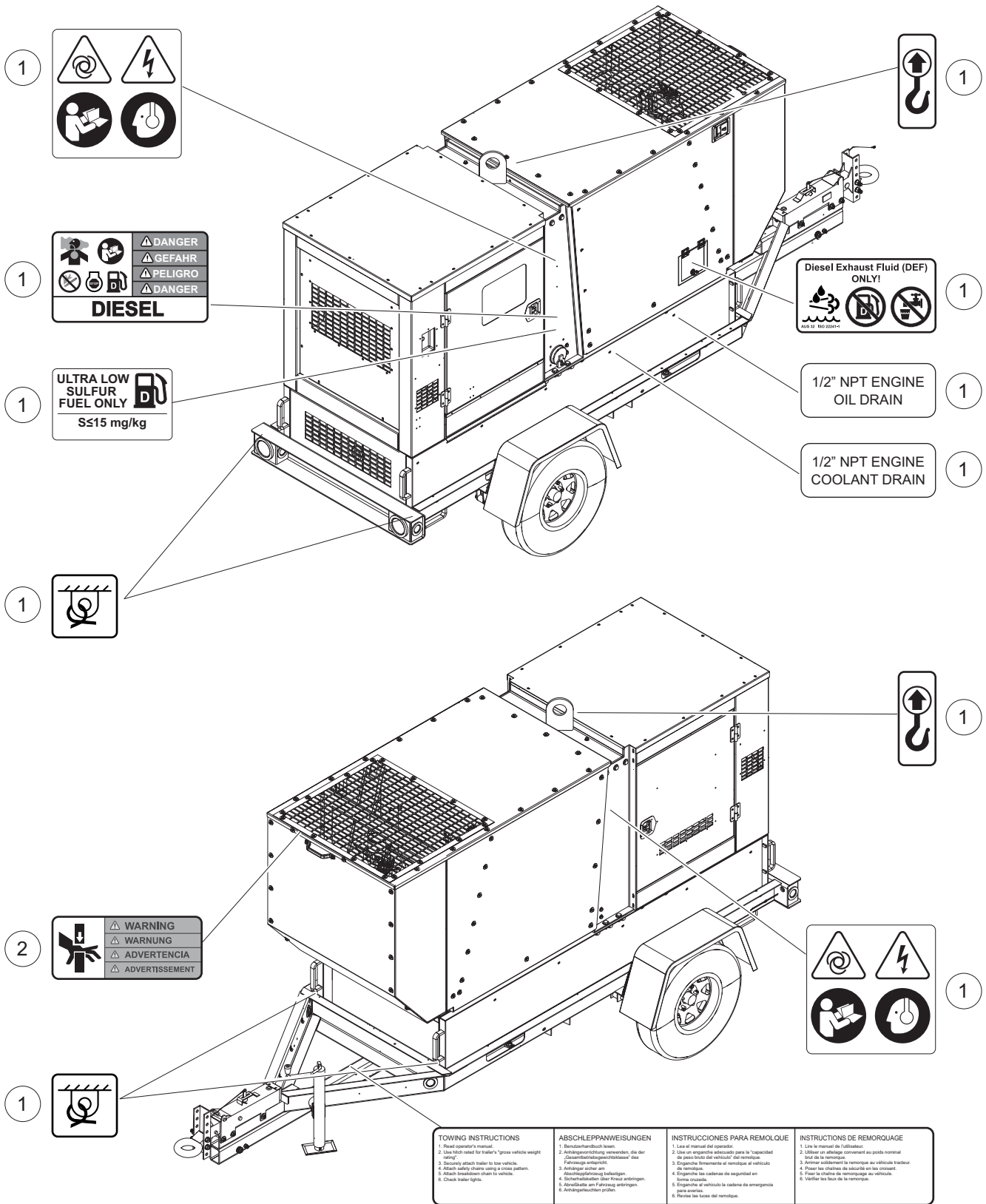


VIN Tag

| | | |
|---|-------------|--|
| MANUFACTURED BY/FABRIQUE PAR: Generac Mobile Products LLC | | DATE: 00/0000 |
| GVWR/PNEUV: 000KG (0000LBS) | | COLD INF. PRESS./ PRESS. DE |
| GAWR / PNBE | TIRE / PNEU | RIM / JANTE |
| GONF A FROID - KPA(PSI/LPC) SGL / DUAL | | |
| EACH AXLE | | |
| <small>THIS VEHICLE CONFORMS TO ALL APPLICABLE STANDARDS PRESCRIBED UNDER THE U.S. FEDERAL MOTOR VEHICLE SAFETY STANDARDS(FMVSS) AND CANADIAN MOTOR VEHICLE SAFETY REGULATIONS IN EFFECT ON THE DATE OF MANUFACTURE. CE VEHICULE EST CONFORME A TOUTES LES NORMES QUI LI SONT APPLICABLES EN VERTU DU REGLEMENT SUR LA SECURITE DES VEHICULES AUTOMOBILES DU CANADA EN VIGUEUR A LA DATE DE FABRICATION.</small> | | |
| V.I.N./N.I.V.: 0000000000000000 | | MODEL: XXX000 TYPE: TRAILER |
| <small>TIRE AND LOADING INFORMATION RENSEIGNEMENTS SUR LES PNEUS ET LE CHARGEMENT</small> | | <small>SEE OWNER'S MANUAL FOR ADDITIONAL INFORMATION VOIR LE MANUEL DE L'USAGER POUR PLUS DE RENSEIGNEMENTS</small> |

01985

UNIT DECALS - EXTERIOR



02497

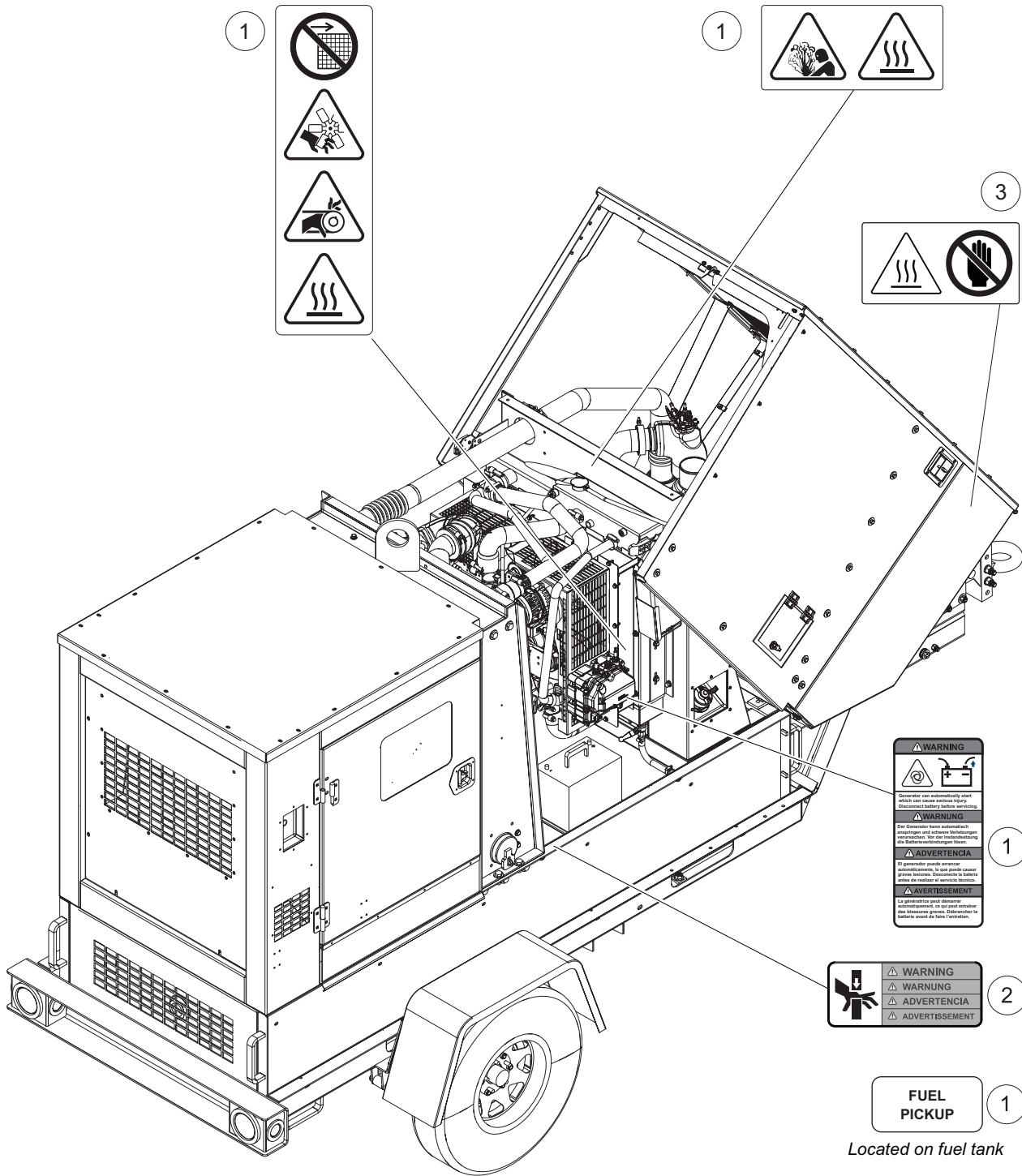
UNIT DECALS - EXTERIOR

| Item | Part No. | Qty | Description | Notes |
|-------------|-----------------|------------|-----------------------------------|--------------|
| 1 | 10000029864 | 1 | Decal set, MDG75 mechanical group | |
| 2 | 26386 | 1 | Decal, pinch point | |

UNIT DECALS - LEFT SIDE INTERIOR

| Item | Part No. | Qty | Description | Notes |
|------|-------------|-----|-----------------------------------|-------|
| 1 | 10000029864 | 1 | Decal set, MDG75 mechanical group | |
| 2 | 10000024262 | 1 | Decal, phase switch warning | |
| 3 | 12142 | 1 | Decal, ground | |
| 4 | 26386 | 1 | Decal, pinch point | |

UNIT DECALS - RIGHT SIDE INTERIOR



Located on fuel tank

Located near battery

UNIT DECALS - RIGHT SIDE INTERIOR

| Item | Part No. | Qty | Description | Notes |
|------|-------------|-----|-----------------------------------|-------|
| 1 | 10000029864 | 1 | Decal set, MDG75 mechanical group | |
| 2 | 26386 | 1 | Decal, pinch point | |
| 3 | 51552 | 1 | Decal, high temp | |

Positive Battery Disconnect (if equipped):

| | | | | |
|---|-------|---|------------------------------------|--|
| A | 50876 | 1 | Decal, positive battery disconnect | |
|---|-------|---|------------------------------------|--|

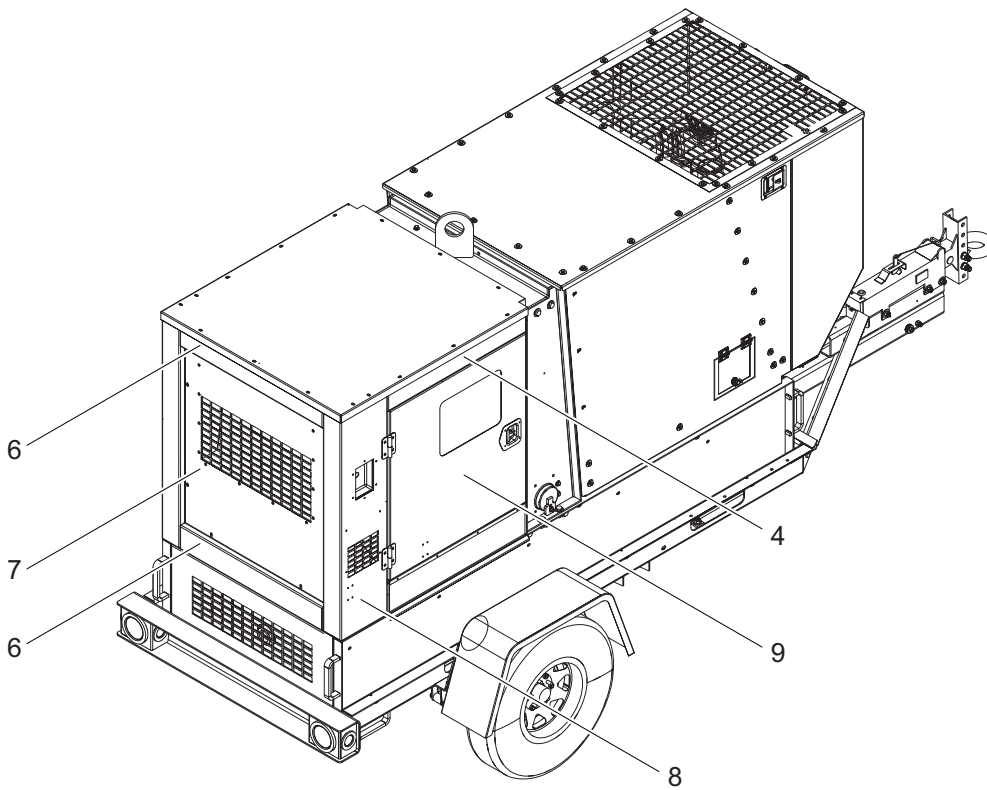
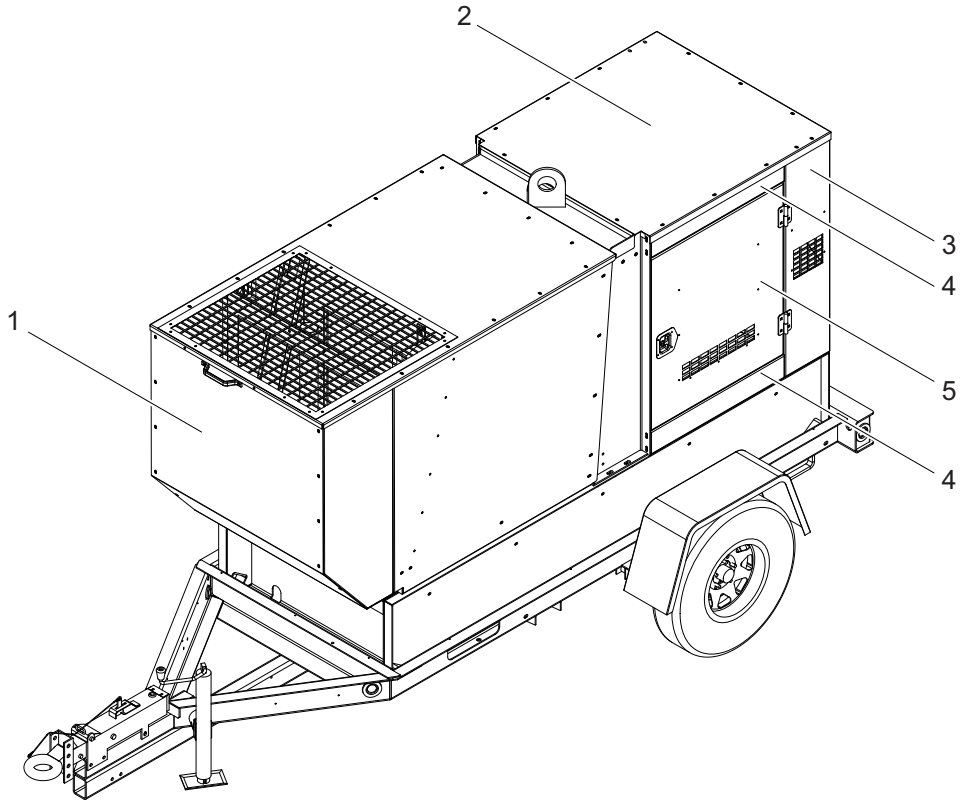
UNIT DECALS - CONTROL BOX

| Item | Part No. | Qty | Description | Notes |
|------|-------------|-----|--|-------|
| 1 | 10000029817 | 1 | Decal Set, MDG75 electronic group | |
| 2 | 10000025043 | 1 | Decal, controller power on/off | |
| 3 | 31019 | 1 | Decal, relay labeling- start/pre-start | |
| 4 | 10000023676 | 1 | Decal, phase switch ID - vertical | |
| 5 | 10000029864 | 1 | Decal Set, MDG75 mechanical group | |
| 6 | 34064 | 1 | Decal, re-gen switch SQ cutout | |
| 7 | 28964 | 1 | Decal, engine block heater | |
| 8 | 31024 | 1 | Decal, relay labeling - clutch fan | |

Optional Equipment:

| | | | |
|---|-------------|---|--|
| A | 33638 | 1 | Decal, light switch - control panel <i>(if equipped)</i> : |
| B | 10000034625 | 1 | Decal, idle switch control <i>(if equipped)</i> : |
| C | 10000023694 | 1 | Decal, cam lock connect colors <i>(if equipped)</i> : |
| D | 21259 | 1 | Decal, battery charger <i>(if equipped)</i> : |
| E | 31023 | 1 | Decal, relay labeling - fuel heater <i>(if equipped)</i> : |

ENCLOSURE PANELS

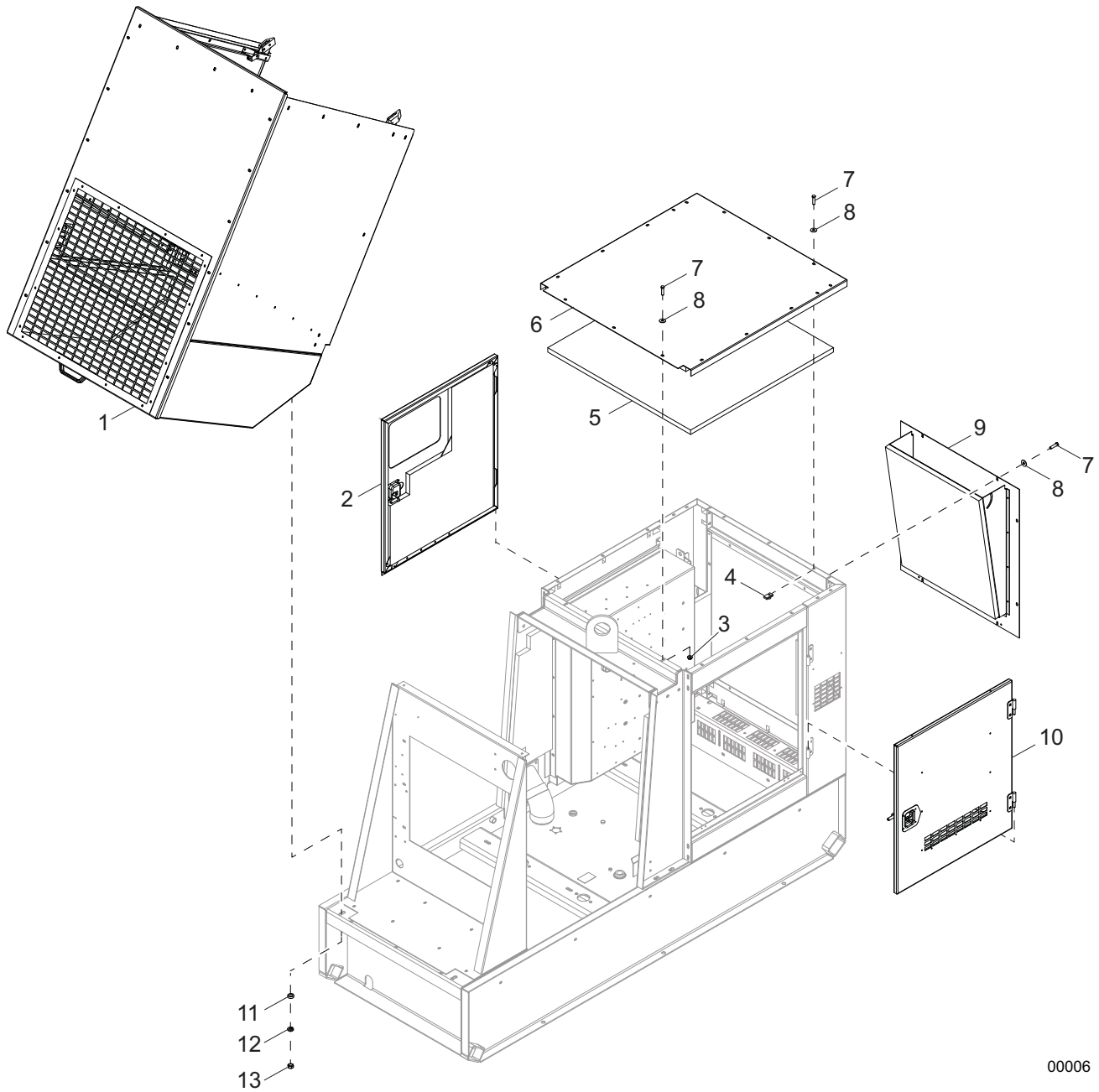


02500

ENCLOSURE PANELS

| Item | Part No. | Qty | Description | Notes |
|-------------|-----------------|------------|----------------------------|----------------|
| 1 | 10000024948 | 1 | Front hood assembly | <i>Page 14</i> |
| 2 | 32125SRV | 1 | Roof assembly | <i>Page 12</i> |
| 3 | 10000024975 | 1 | Left rear corner assembly | <i>Page 28</i> |
| 4 | 393531 | 3 | Side panel assembly | <i>Page 24</i> |
| 5 | 10000024976 | 1 | Left rear door assembly | <i>Page 18</i> |
| 6 | 10000030564 | 2 | End panel assembly | <i>Page 24</i> |
| 7 | 10000024956 | 1 | Rear panel assembly | <i>Page 22</i> |
| 8 | 10000024936 | 1 | Right rear corner assembly | <i>Page 30</i> |
| 9 | 33313SRV | 1 | Control door assembly | <i>Page 20</i> |

DOORS, ROOF, REAR PANEL, AND FRONT HOOD TO UNIT

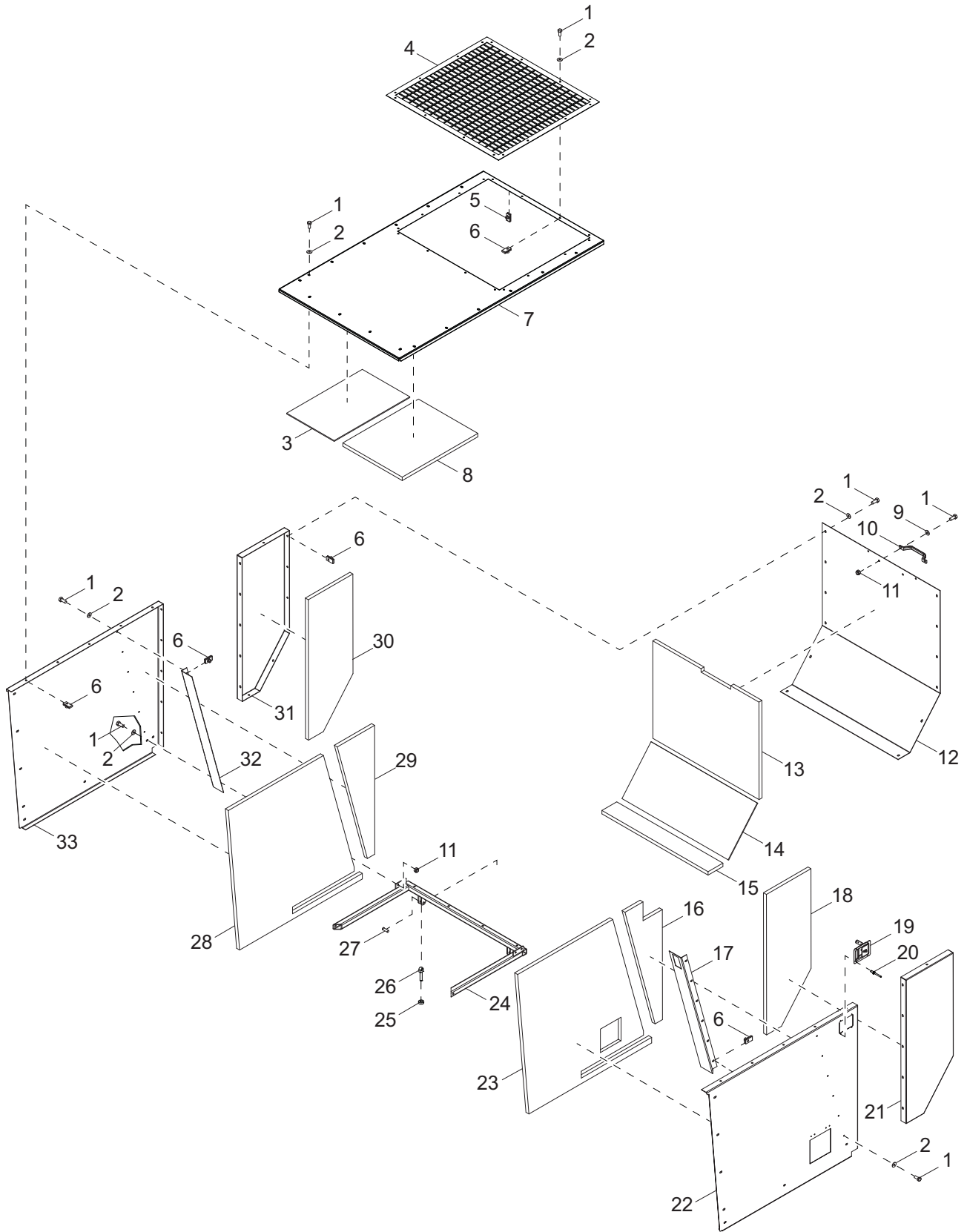


00006

DOORS, ROOF, REAR PANEL, AND FRONT HOOD TO UNIT

| Item | Part No. | Qty | Description | Notes |
|------|-------------|----------|---|--|
| 1 | 10000024948 | 1 | Assembly, front hood | |
| 2 | 33313SRV | 1 | Assembly, control door | |
| 3 | 60095 | 3 | Nut, .312-18 serrated flange | |
| 4 | 60505 | 13 | Nut, .312-18 U-clip - long type | |
| 5 | 39802 | 1 | Foam, roof - rear | |
| 6 | 10000030566 | 1 | Panel, roof | |
| 7 | 60507 | 24 | Screw, .312-18 x1.0 standard hex, SS | |
| 8 | 60452 | 24 | Washer, .313 flat 1.125/1.0 bonded rubber, SS | |
| 9 | 10000030567 | 1 | Assembly, rear panel | |
| 10 | 10000030557 | 1 | Assembly, left rear door | |
| 11 | 24748B | 2 | Spacer, rod end | |
| 12 | 60702 | 2 | Washer, .500 split lock, SS | |
| 13 | 60681 | 2 | Nut, .500-13 hex, SS | |
| -- | 50187 | 22.17 ft | Seal, door D-shaped (.750) | Used for doors |
| -- | 50358 | 7.57 ft | Seal, rubber - bubble type (1.00) | Attaches to bulkhead for front hood |

FRONT HOOD ASSEMBLY (1 OF 2)

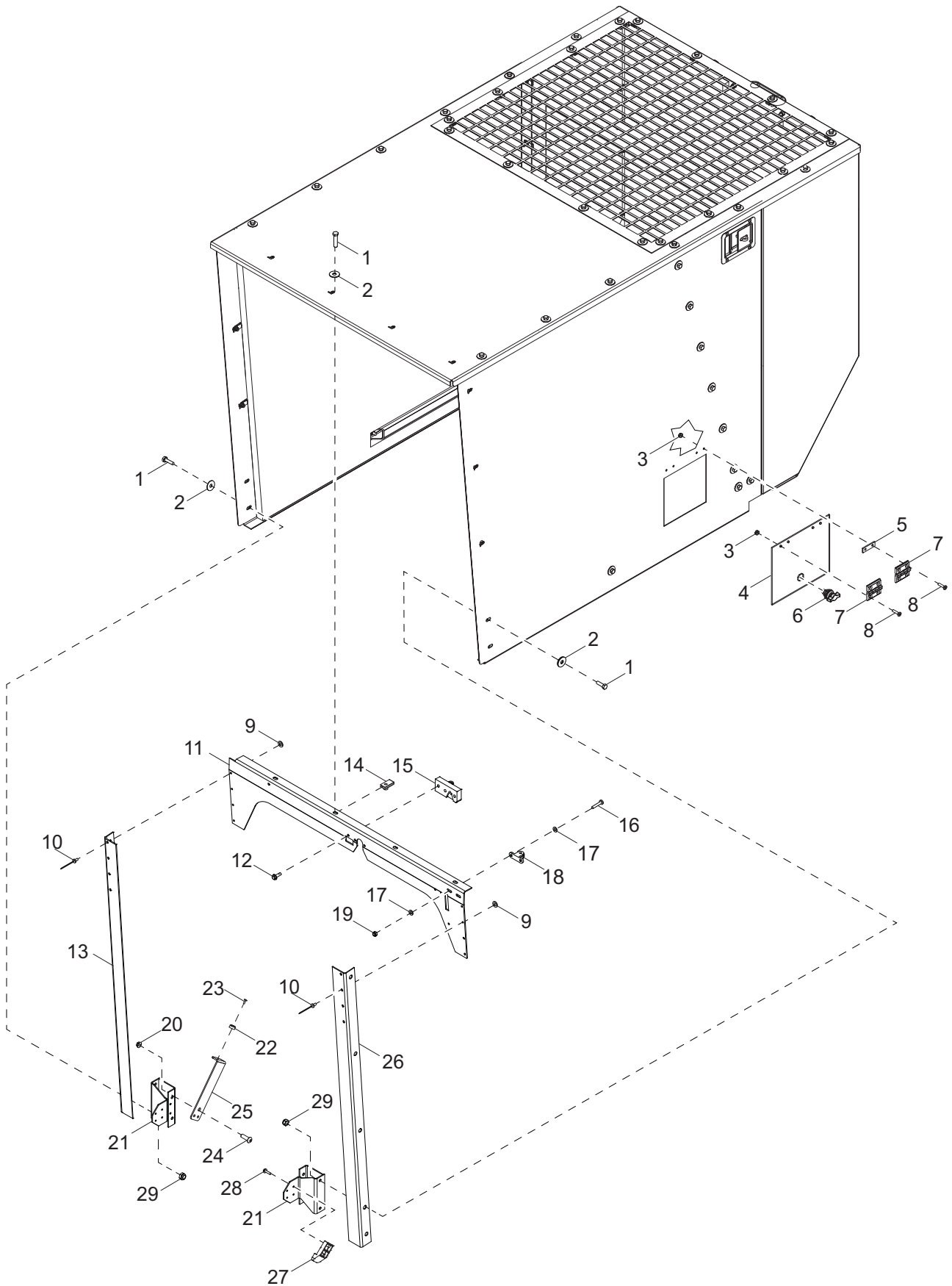


02501

FRONT HOOD ASSEMBLY (1 OF 2)

| Item | Part No. | Qty | Description | Notes |
|------|-------------|-----|---|-------|
| 1 | 60507 | 72 | Screw, .312-18 x1.0 standard hex, SS | |
| 2 | 60452 | 70 | Washer, .313 flat 1.125/1.0 bonded rubber, SS | |
| 3 | 10000025269 | 1 | Foam, front flip hood, ceramic - top | |
| 4 | 32723B | 1 | Panel, exhaust grate | |
| 5 | 62086 | 2 | Nut, .312-18 U-clip - short type | |
| 6 | 60505 | 62 | Nut, .312-18 U-clip - long type | |
| 7 | 32707W | 1 | Panel, front hood - top | |
| 8 | 32302SRV | 1 | Foam, front flip hood - top | |
| 9 | 60340 | 2 | Washer, .312 flat .875/.040, SS | |
| 10 | 26288 | 1 | Handle, front hood access | |
| 11 | 60303 | 8 | Nut, .312-18 nylock, G2 | |
| 12 | 32706W | 1 | Panel, front hood | |
| 13 | 32309SRV | 1 | Foam, front flip hood - front | |
| 14 | 32822SRV | 1 | Foam, front flip hood - front top | |
| 15 | 32823SRV | 1 | Foam, front flip hood - front bottom | |
| 16 | 10000024981 | 1 | Foam, front flip hood - right front side | |
| 17 | 32535W | 1 | Panel, right inside flip hood | |
| 18 | 10000028027 | 1 | Foam, front flip hood - right front corner | |
| 19 | 24676 | 1 | Latch, paddle w/padlock handle | |
| 20 | 60268 | 4 | Rivet, .188 diameter. x .126 to .250 grip, SS | |
| 21 | 32717W | 1 | Panel, right front corner | |
| 22 | 10000016602 | 1 | Panel, right front side hood | |
| 23 | 10000027999 | 1 | Foam, front flip hood - right side | |
| 24 | 30555B | 1 | Weldment, front hood hinge | |
| 25 | 24748B | 2 | Spacer, rod end | |
| 26 | 60989 | 2 | Bolt, .500-13 x 3.125 rod end | |
| 27 | 63272 | 2 | Pin, clevis - .500 diameter. x 1.65 | |
| 28 | 10000024993 | 1 | Foam, front flip hood - left side | |
| 29 | 10000024972 | 1 | Foam, front flip hood - left front side | |
| 30 | 10000028039 | 1 | Foam, front flip hood - left front corner | |
| 31 | 32716W | 1 | Panel, left front corner | |
| 32 | 32536W | 1 | Panel, left inside flip hood | |
| 33 | 30549W | 1 | Panel, left front side hood | |

FRONT HOOD ASSEMBLY (2 OF 2)

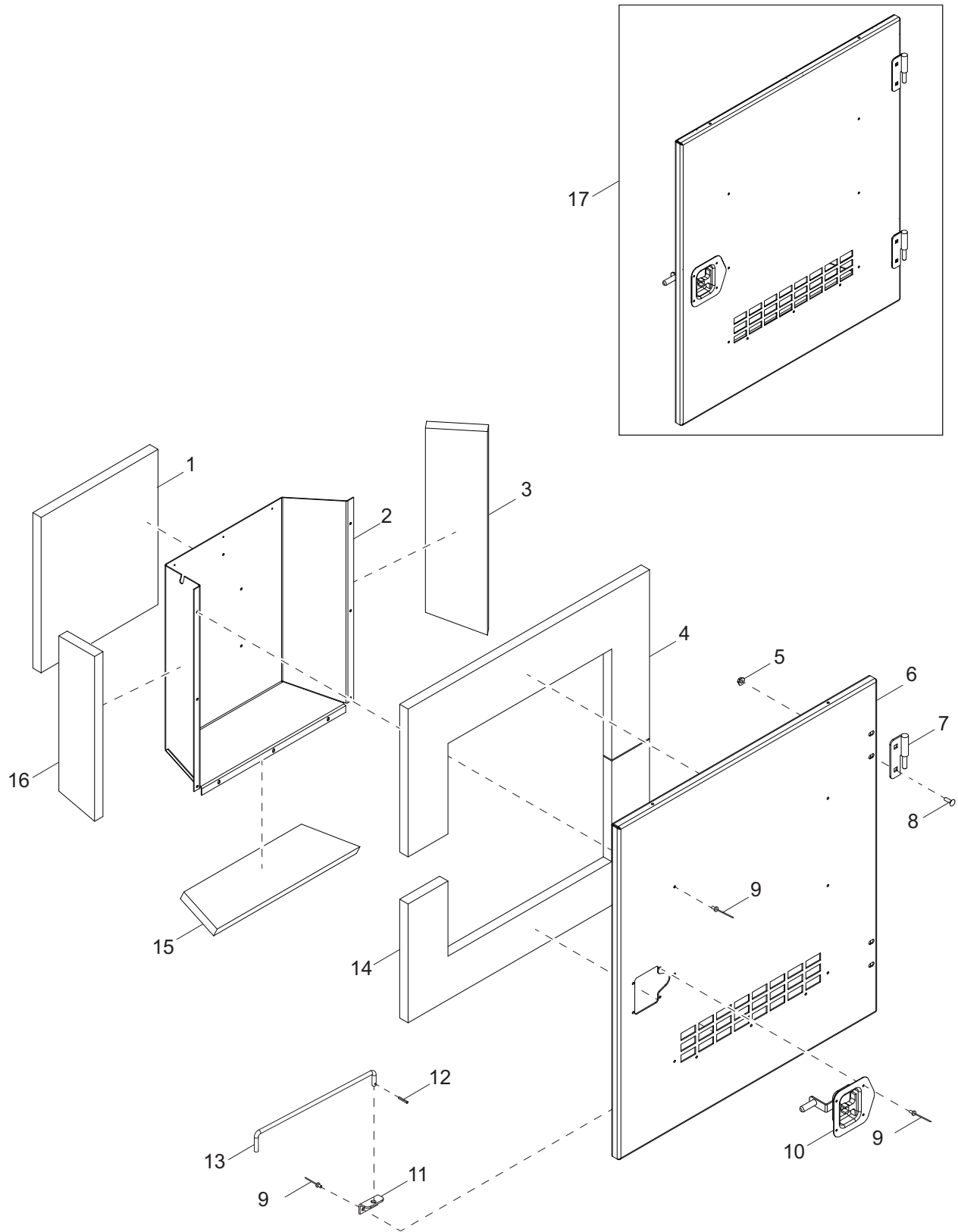


02502

FRONT HOOD ASSEMBLY (2 OF 2)

| Item | Part No. | Qty | Description | Notes |
|------|-------------|-----|---|-------|
| 1 | 60507 | 14 | Screw, .312-18 x1.0 standard hex, SS | |
| 2 | 60452 | 14 | Washer, .313 flat 1.125/1.0 bonded rubber, SS | |
| 3 | 60530 | 8 | Nut, 10-24 nylock - SS | |
| 4 | 10000018243 | 1 | Door, DEF fill | |
| 5 | 10000022153 | 2 | Spacer | |
| 6 | 76945 | 1 | Latch, wing knob | |
| 7 | 35394 | 2 | Hinge, door small | |
| 8 | 35290 | 8 | Screw, 10-24 x 1.00 flat head Phillips | |
| 9 | 60041 | 8 | Washer, M5 flat | |
| 10 | 60268 | 8 | Rivet, .188 diameter. x .126 to .250 grip, SS | |
| 11 | 30547B | 1 | Bracket, top sealing - front | |
| 12 | 60523 | 3 | Screw, .250 x 20-.875 serrated flange hex | |
| 13 | 49981B | 1 | Bracket, side sealing | |
| 14 | 60505 | 10 | Nut, .312-18 U-clip - long type | |
| 15 | 26287 | 1 | Latch, remote right w/spring return | |
| 16 | 60062 | 2 | Screw, 10-32 x .750 pan Phillips, G2 | |
| 17 | 60067 | 4 | Washer, #10 flat .435/.060, SS | |
| 18 | 24441 | 1 | Pulley, cable - .750 in | |
| 19 | 60061 | 2 | Nut, 10-32 nylock | |
| 20 | 60095 | 2 | Nut, .312-18 serrated flange | |
| 21 | 24450B | 2 | Weldment, hood locator | |
| 22 | 15215 | 2 | Rubber bumper | |
| 23 | 60267 | 2 | Rivet, .125 diameter. x .191 to .270 grip, alum | |
| 24 | 60654 | 2 | Screw, .312-18 x 1.0 button hex, SS | |
| 25 | 35107B | 2 | Bracket, hood stop | |
| 26 | 30548B | 1 | Bracket, side sealing - RH | |
| 27 | 30249 | 2 | Shoe, hood guide | |
| 28 | 60426 | 4 | Screw, 8-18 x .750 flange hex, thread forming, G2 | |
| 29 | 60303 | 4 | Nut, .312-18 nylock, G2 | |

LEFT REAR DOOR ASSEMBLY

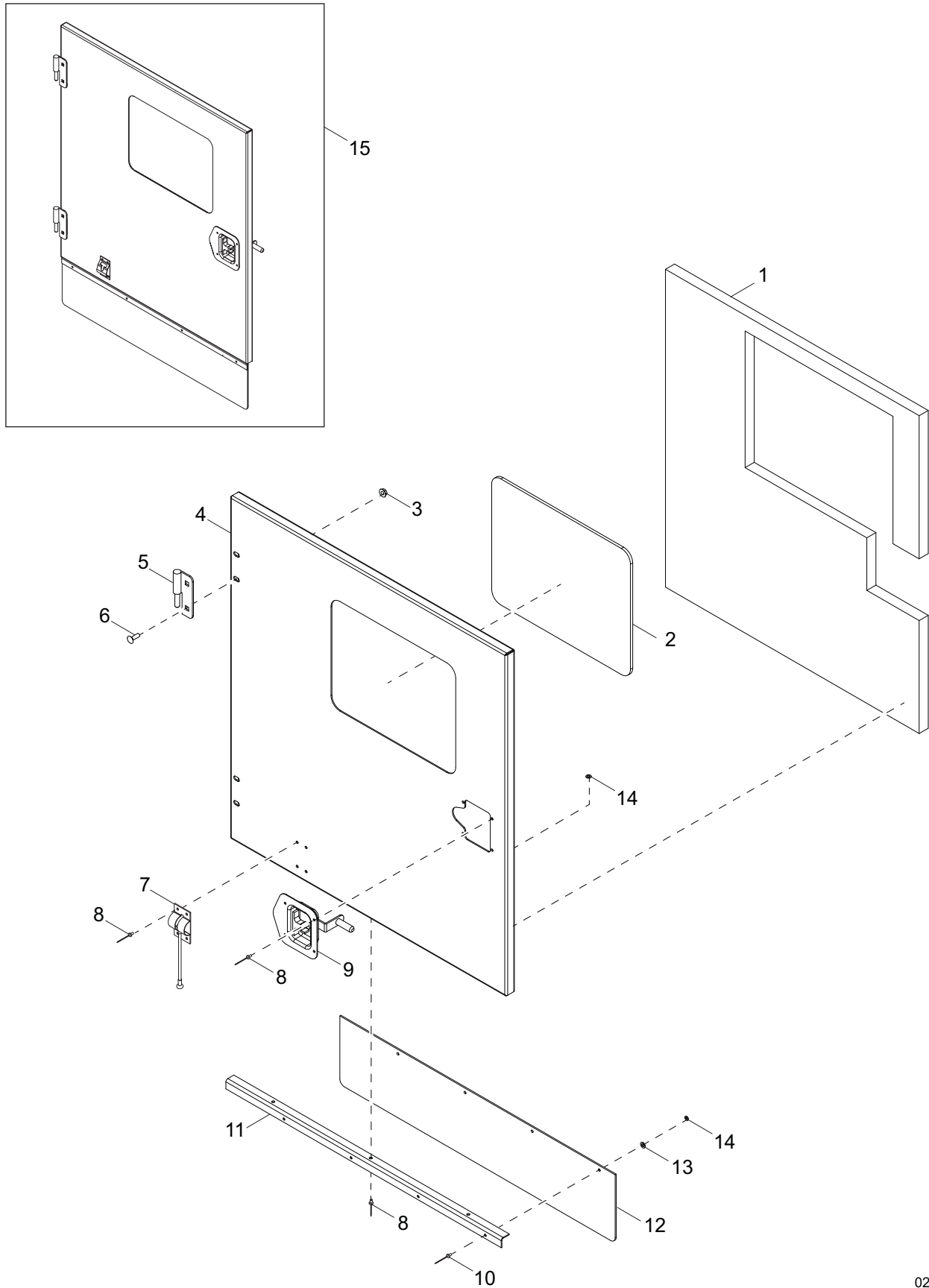


02503

LEFT REAR DOOR ASSEMBLY

| Item | Part No. | Qty | Description | Notes |
|------|-------------|-----|---|-------|
| 1 | 10000030602 | 1 | Foam, duct - face | |
| 2 | 26509W | 1 | Duct, door | |
| 3 | 26518SRV | 1 | Foam, duct - left | |
| 4 | 10000024991 | 1 | Foam, door - top | |
| 5 | 60095 | 4 | Nut, .312-18 serrated flange | |
| 6 | 32121W | 1 | Panel, door | |
| 7 | 18461 | 2 | Hinge, left (male) | |
| 8 | 61066 | 4 | Screw, .312-18 x 1.0 carriage SS | |
| 9 | 60268 | 15 | Rivet, .188 diameter. x .126 to .250 grip, SS | |
| 10 | 22497 | 1 | Latch, T-handle - left cw lock | |
| 11 | 20916Z | 1 | Bracket, prop rod | |
| 12 | 60048 | 1 | Pin, roll - .125 x .625 | |
| 13 | 18900ZC | 1 | Rod, door prop | |
| 14 | 10000024992 | 1 | Foam, door - bottom | |
| 15 | 26519SRV | 1 | Foam, duct - bottom | |
| 16 | 21121SRV | 1 | Foam, duct - right | |
| 17 | 10000030557 | 1 | Assembly, door, left rear | |

CONTROL DOOR ASSEMBLY

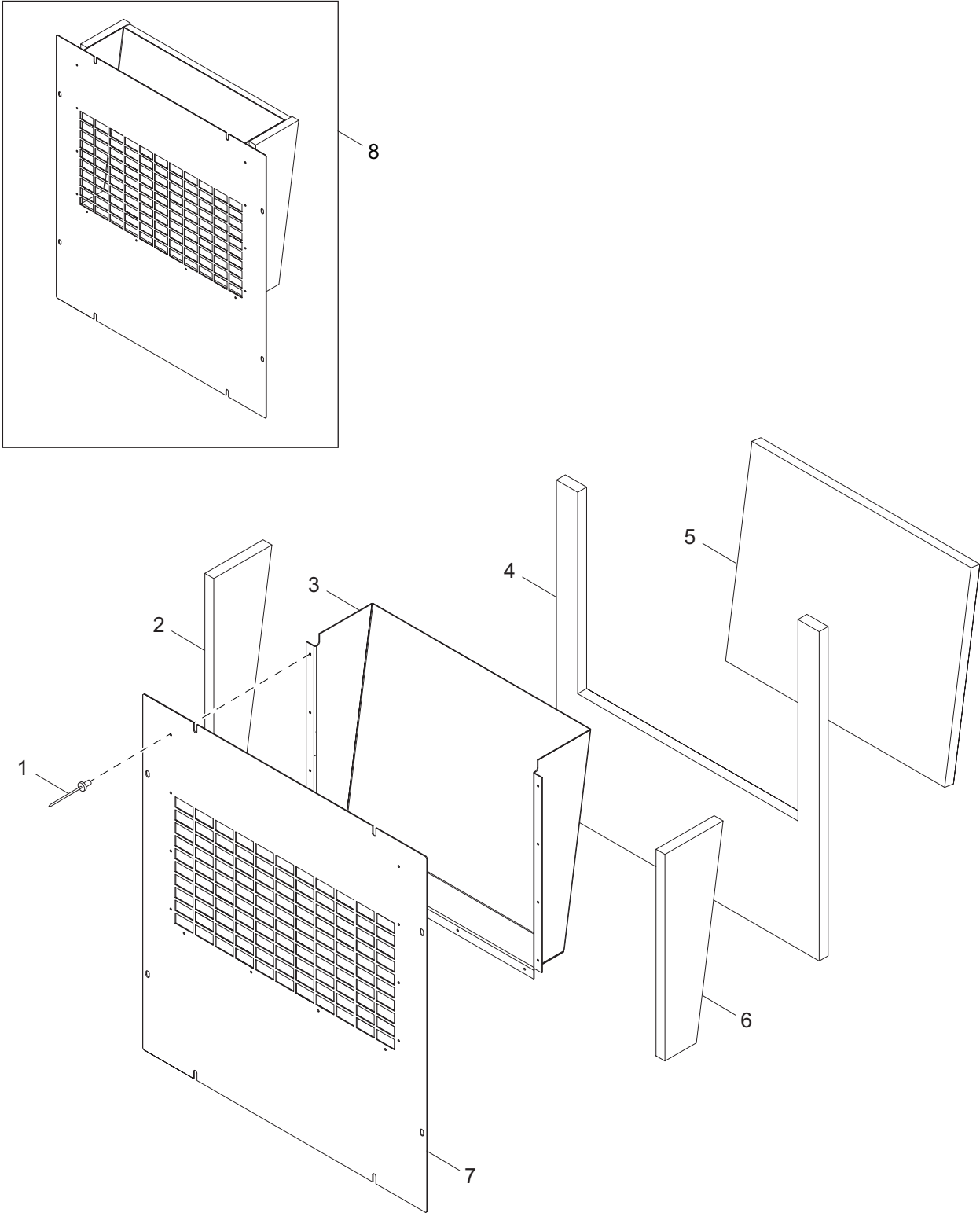


02504

CONTROL DOOR ASSEMBLY

| Item | Part No. | Qty | Description | Notes |
|-------------|-----------------|------------|---|--------------|
| 1 | 10000024982 | 1 | Foam, control door | |
| 2 | 33642 | 1 | Window, control door - UV | |
| 3 | 60095 | 4 | Nut, .312-18 serrated flange | |
| 4 | 33312W | 1 | Door, control | |
| 5 | 18459 | 2 | Hinge, right (male) | |
| 6 | 61066 | 4 | Screw, .312-18 x 1.0 carriage SS | |
| 7 | 62225 | 1 | Latch, door - stainless cable w/ball | |
| 8 | 60268 | 11 | Rivet, .188 diameter. x .126 to .250 grip, SS | |
| 9 | 22497 | 1 | Latch, T-handle - left cw lock | |
| 10 | 60260 | 4 | Rivet, .188 diameter. x .375 to .500 grip, SS | |
| 11 | 32472B | 1 | Bracket, door flap | |
| 12 | 34408 | 1 | Flap, control door | |
| 13 | 60696 | 4 | Washer, .250 flat .625/.050, SS | |
| 14 | 60067 | 7 | Washer, #10 flat .435/.060, SS | |
| 15 | 33313SRV | 1 | Assembly, control door | |

REAR PANEL ASSEMBLY

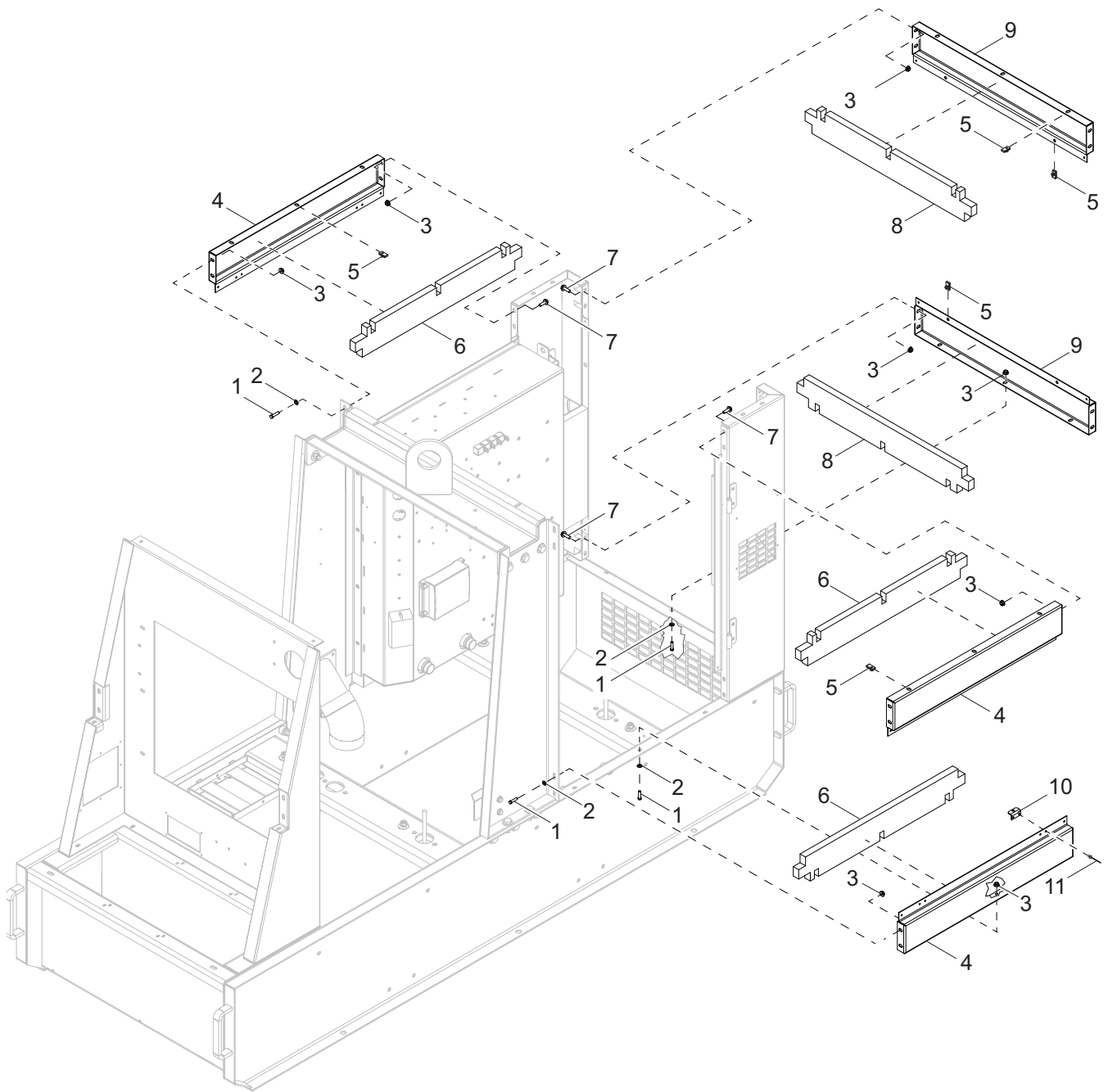


02506

REAR PANEL ASSEMBLY

| Item | Part No. | Qty | Description | Notes |
|------|-------------|-----|--|-------|
| 1 | 60268 | 12 | Rivet, .188 dia. x .126 to .250 grip, SS | |
| 2 | 10000024974 | 1 | Foam, rear duct - right | |
| 3 | 10000015222 | 1 | Duct, rear | |
| 4 | 10000025002 | 1 | Foam, rear panel | |
| 5 | 10000024983 | 1 | Foam, rear duct | |
| 6 | 10000024994 | 1 | Foam, rear duct - left | |
| 7 | 10000015220 | 1 | Panel, rear | |
| 8 | 10000024956 | 1 | Assembly, rear vent | |

END AND SIDE PANELS TO UNIT

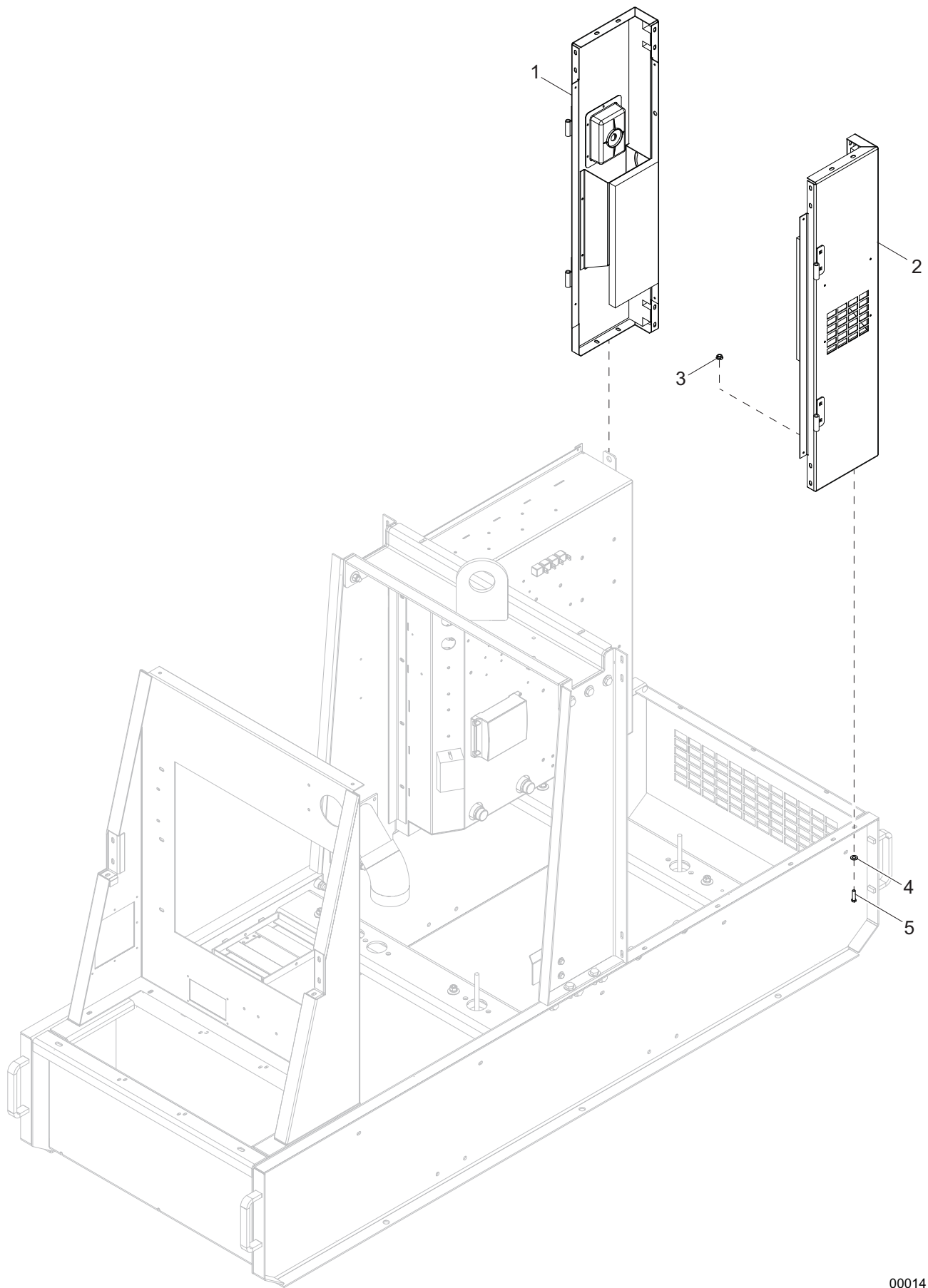


00013

END AND SIDE PANELS TO UNIT

| Item | Part No. | Qty | Description | Notes |
|------|----------|-----|--|-------------------|
| 1 | 60507 | 12 | Screw, .312-18 standard hex, SS | |
| 2 | 60340 | 12 | Washer, .312 flat .875/.040, SS | |
| 3 | 60095 | 26 | Nut, .312-18 serrated flange | |
| 4 | 32124W | 3 | Panel, side | 2 for paralleling |
| 5 | 60505 | 13 | Nut, .312-18 U-clip - long type | |
| 6 | 32286SRV | 3 | Foam, side panel | |
| 7 | 61091 | 14 | Screw, .312-18 x 1.0 serrated flange hex, G5 | |
| 8 | 30402SRV | 2 | Foam, end panel | |
| 9 | 30401W | 2 | Panel, end | |
| 10 | 20916Z | 1 | Bracket, prop rod | |
| 11 | 60268 | 2 | Rivet, .188 dia. x .126 to .250 grip, SS | |

REAR CORNER PANELS TO UNIT

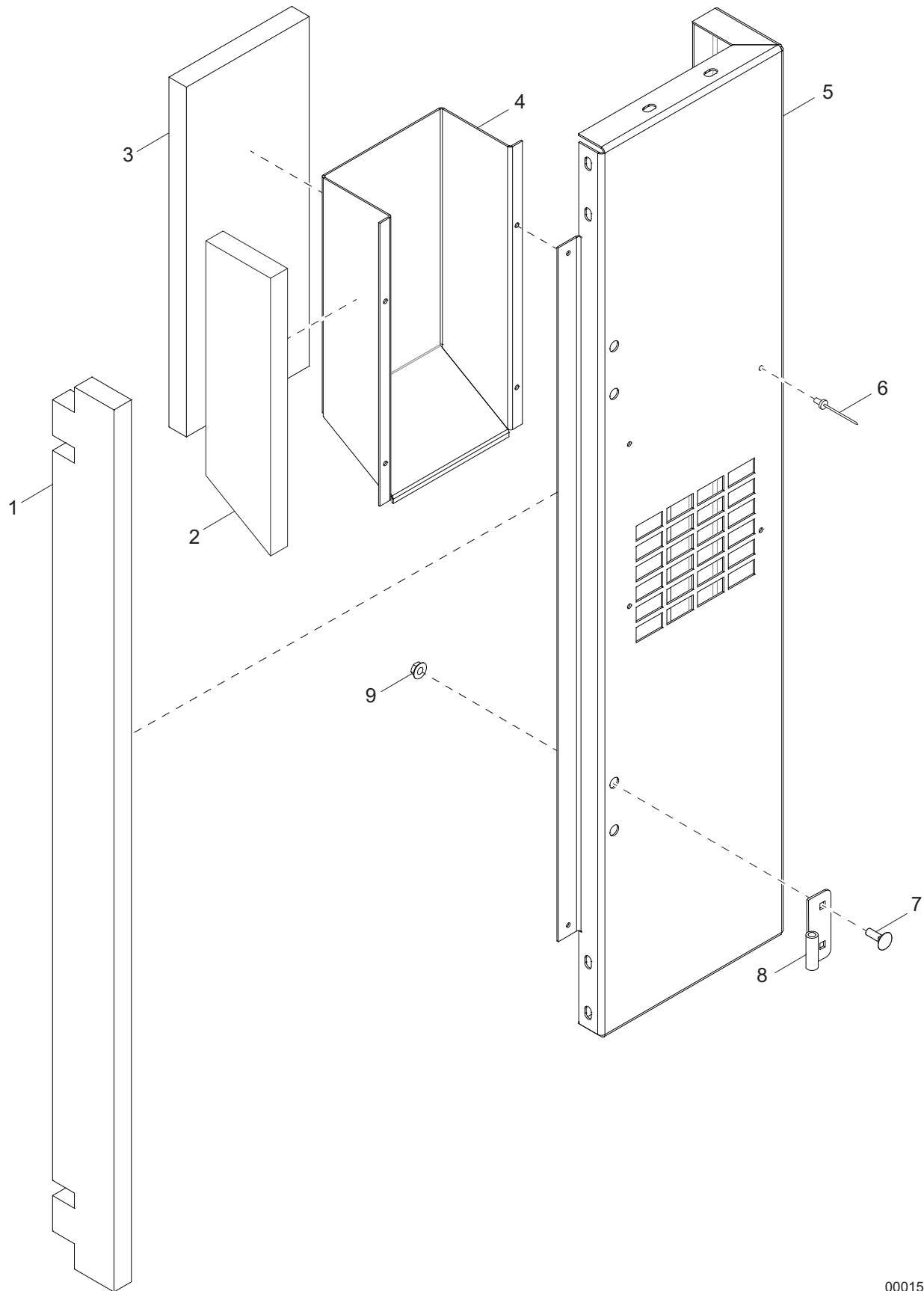


00014

REAR CORNER PANELS TO UNIT

| Item | Part No. | Qty | Description | Notes |
|------|-------------|-----|---------------------------------|-------|
| 1 | 10000024936 | 1 | Assembly, right rear corner | |
| 2 | 10000024975 | 1 | Assembly, left rear corner | |
| 3 | 60095 | 4 | Nut, .312-18 serrated flange | |
| 4 | 60340 | 4 | Washer, .312 flat .875/.040, SS | |
| 5 | 60507 | 4 | Screw, .312-18 standard hex, SS | |

LEFT REAR CORNER ASSEMBLY

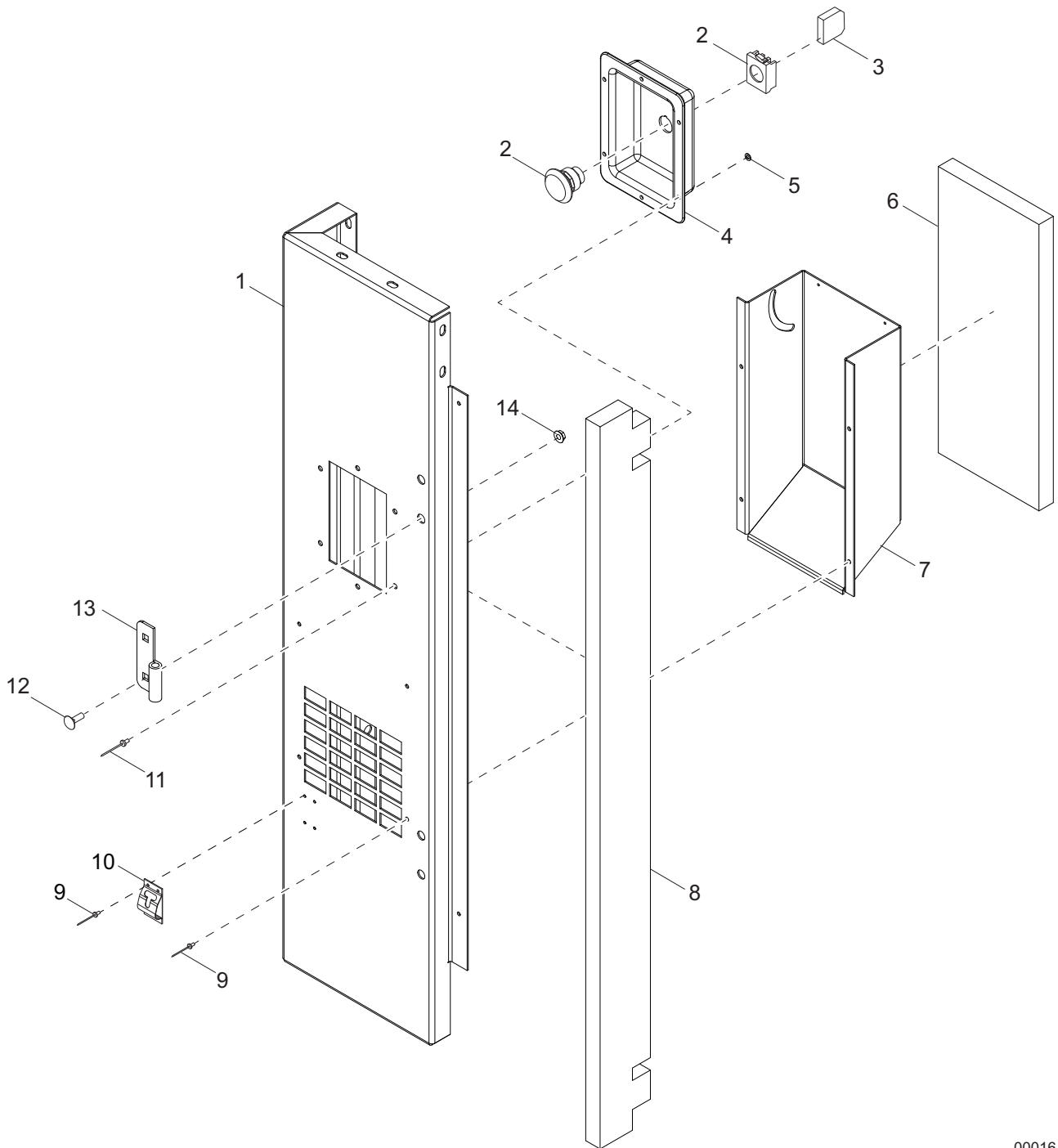


00015

LEFT REAR CORNER ASSEMBLY

| Item | Part No. | Qty | Description | Notes |
|------|-------------|-----|--|-------|
| 1 | 20795SRV | 1 | Foam, corner common | |
| 2 | 10000024971 | 1 | Foam, duct - side | |
| 3 | 20798SRV | 1 | Foam, duct - face | |
| 4 | 20677W | 1 | Duct, rear air | |
| 5 | 32107W | 1 | Panel, left rear | |
| 6 | 60268 | 4 | Rivet, .188 dia. x .126 to .250 grip, SS | |
| 7 | 61066 | 4 | Screw, .312-18 x 1.0 carriage SS | |
| 8 | 18460 | 2 | Hinge, left (female) | |
| 9 | 60095 | 4 | Nut, .312-18 serrated flange | |

RIGHT REAR CORNER ASSEMBLY

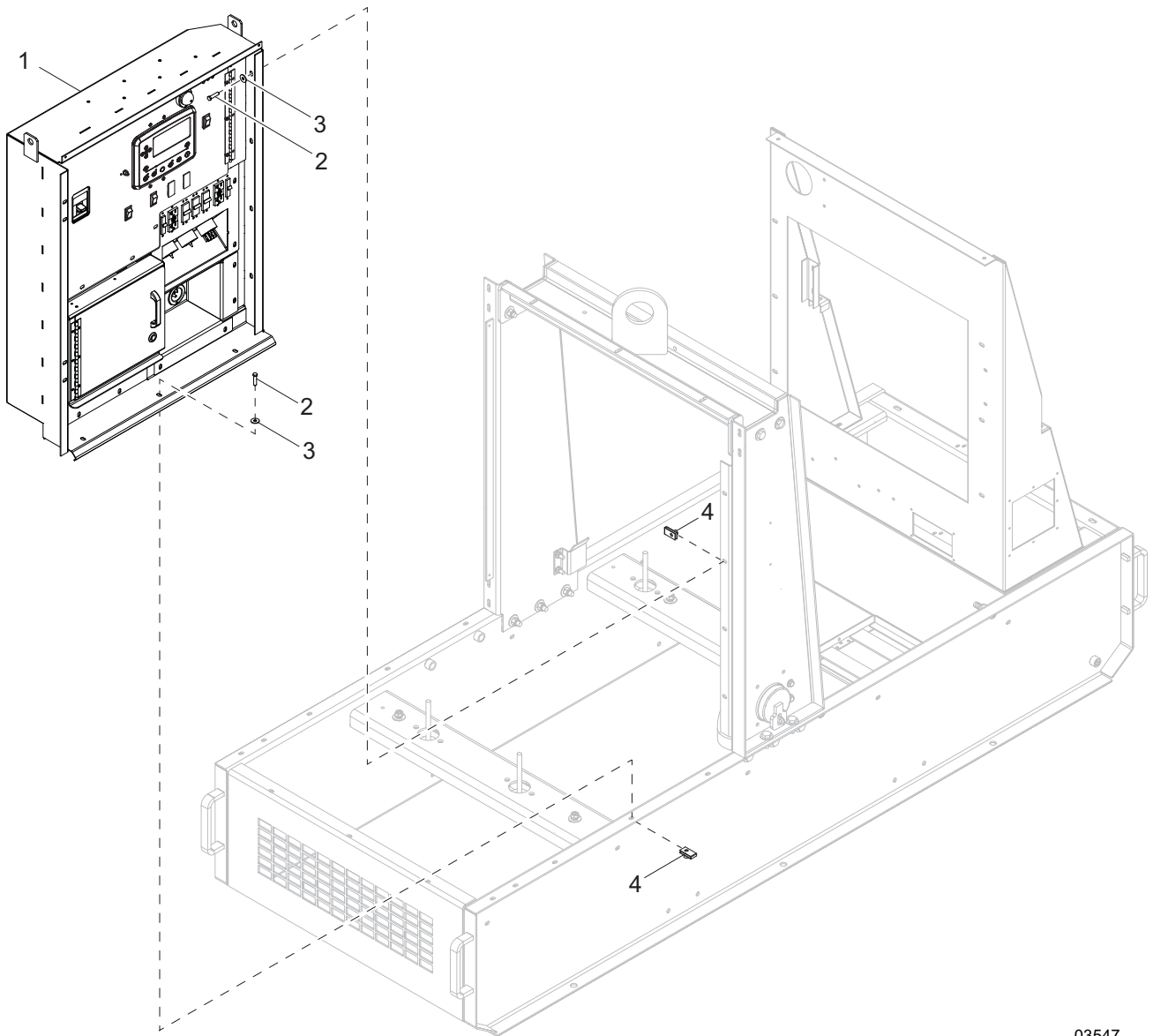


00016

RIGHT REAR CORNER ASSEMBLY

| Item | Part No. | Qty | Description | Notes |
|------|----------|-----|---|-------|
| 1 | 32161W | 1 | Panel, right rear | |
| 2 | 65470 | 1 | Switch, E-stop operator | |
| 3 | 65580 | 1 | Block, E-stop contactor | |
| -- | 34989SRV | 1 | Assembly, E-stop switch | |
| 4 | 30645 | 1 | Panel, emergency stop | |
| 5 | 60041 | 6 | Washer, M5 flat | |
| 6 | 20798SRV | 1 | Foam, duct | |
| 7 | 20677W | 1 | Duct, rear air | |
| 8 | 20795SRV | 1 | Foam, corner common | |
| 9 | 60268 | 8 | Rivet, .188 diameter. x .126 to .250 grip, SS | |
| 10 | 62225 | 1 | Latch, door - SS | |
| 11 | 60260 | 6 | Rivet, .188 diameter. x .375 to .500 grip, SS | |
| 12 | 61066 | 4 | Screw, .312-18 x 1.00 carriage SS | |
| 13 | 18462 | 2 | Hinge, right (female) | |
| 14 | 60095 | 4 | Nut, .312-18 serrated flange | |

CONTROL BOX TO UNIT

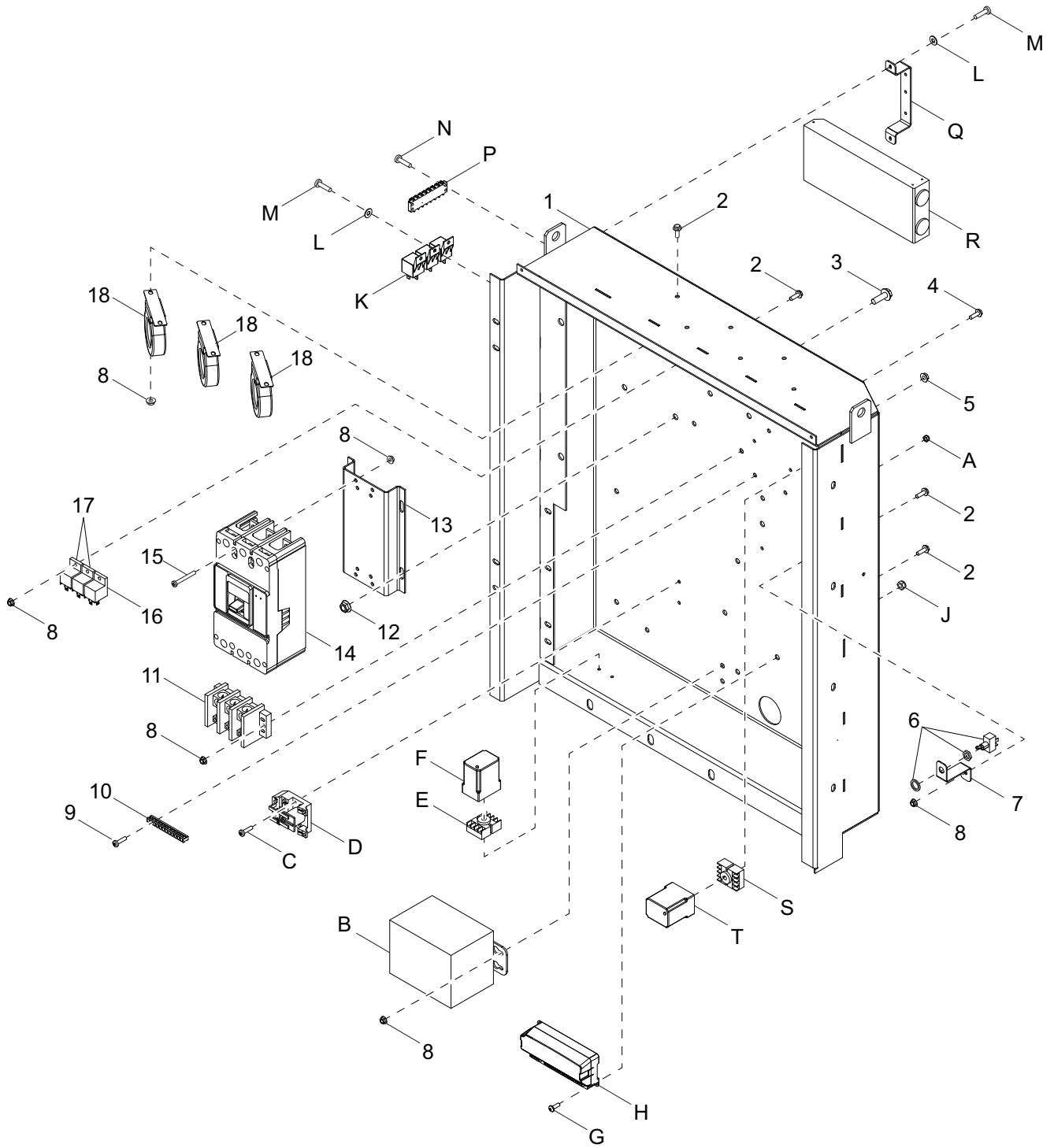


03547

CONTROL BOX TO UNIT

| Item | Part No. | Qty | Description | Notes |
|------|-------------|-----|---|-------|
| 1 | A0001578044 | 1 | Assembly, control box | |
| 2 | 60507 | 7 | Screw, .312-18 x 1.0 standard hex, SS | |
| 3 | 60452 | 7 | Washer, .313 flat 1.125/1.0 bonded rubber, SS | |
| 4 | 60505 | 7 | Nut, .312-18 U-clip - long type | |

CONTROL BOX ASSEMBLY (1 OF 2)



02694

CONTROL BOX ASSEMBLY (1 OF 2)

| Item | Part No. | Qty | Description | Notes |
|---|-------------|-----|--|---------------------------------|
| 1 | 33160B | 1 | Weldment, control box | |
| 2 | 60175 | 13 | Screw, .250-20 x .500 pan Phillips - SS | |
| 3 | 60517 | 4 | Screw, .375-16 x 1.0 serrated flange hex | |
| 4 | 60479 | 2 | Screw, .250-20 x 1.0 serrated flange hex, G5 | |
| 5 | 60457 | 2 | Nut, 10-24 nylock, G2 | |
| 6 | 25077 | 1 | Switch, toggle - SPST 20A VAC | |
| 7 | 32734ZY | 1 | Bracket, ECU power switch | |
| 8 | 60161 | 19 | Nut, .250-20 serrated flange, G5 | |
| 9 | 60406 | 2 | Screw, 8-32 x 1.0 pan Phillips, G2 | |
| 10 | 14204 | 1 | Kit, ground bar | |
| 11 | 65356 | 1 | Block, terminal - 3-pole, Bussman | |
| 12 | 60145 | 4 | Nut, .375-16 serrated flange, G5 | |
| 13 | 18019B | 1 | Bracket, breaker mounting | |
| 14 | 65383 | 1 | Breaker, 400A, 12-24VDC - shunt trip | |
| 15 | 60143 | 4 | Screw, .250-20 x 2.0 pan Phillips, G5 | |
| 16 | 66455 | 1 | Relay, 12V, 70A, NC/80A - NO w/diode | |
| 17 | 65049 | 2 | Relay, 12V, 30/40A, NO w/diode | |
| 18 | 65443 | 3 | Transformer, current (500:5A) | |
| -- | 18496 | 1 | Fitting, bushing - 2.50 OD x 2.0 ID | |
| <i>Buck Transformer (if equipped):</i> | | | | |
| A | 60061 | 2 | Nut, 10-32 nylock | |
| B | 21487 | 1 | Transformer, 1.13:1 1 phase, 500VA | |
| C | 60396 | 2 | Screw, 10-32 x 1.250 pan Phillips, G2 | |
| D | 65461 | 1 | Relay, 30A DPDT 120VAC power | |
| E | 65644 | 1 | Base, relay - 8 position | |
| F | 66340 | 1 | Relay, voltage sensing (132 in, 126 out) | |
| -- | 65674 | 2 | Stop, 35mm din rail end | |
| -- | 60398 | 2 | Screw, 10-32 x .500 pan Phillips, SS | |
| -- | 66003 | 1 | Rail, din - 35mm x 6.0 in | |
| -- | 61045 | 2 | Nut, 10-32 serrated flange | |
| -- | 67077 | 1 | Wire group, buck transformer | |
| <i>Alternative Fuel Access (if equipped):</i> | | | | |
| G | 62054 | 2 | Screw, 8-32 x .500 pan Phillips - SS | |
| H | 67066 | 1 | Module, output expansion | |
| J | 60270 | 4 | Nut, .8-32 nylock, G6 | |
| K | G052844 | 3 | Relay, panel 12VDC SPDT 30A | |
| L | 60237 | 7 | Washer, flat .495/.036 | |
| M | 60850 | 7 | Screw, 10-24 x .750 pan Phillips, G2 | |
| N | 60488 | 2 | Screw, 8-32 x .750 pan Phillips, G2 | |
| P | G047822 | 1 | Block terminal, 20A x 6 x 1100V | |
| Q | 10000035480 | 2 | Bracket, AC-DC converter | |
| R | 10000035271 | 1 | Converter, AC to DC 90-264VAC-24VDC 40A | |
| -- | 60457 | 7 | Nut, 10-24 nylock, G2 | with G052844 and 10000035480 |
| <i>V-Flex Generator (if equipped):</i> | | | | |
| S | 65644 | 1 | Base, relay - 8 position | |
| T | 66340 | 1 | Relay, voltage sensing (132 in, 126 out) | |

CONTROL BOX ASSEMBLY (2 OF 2)

| Item | Part No. | Qty | Description | Notes |
|------|-------------|-----|---|-------|
| 1 | 60507 | 18 | Screw, .312-18 x 1.0 standard hex, SS | |
| 2 | 60452 | 18 | Washer, .313 flat 1.125/1.0 bonded rubber, SS | |
| 3 | N/A | 1 | Assembly, control panel | |
| 4 | 60398 | 11 | Screw, 10-32 x .500 pan Phillips, SS | |
| 5 | 61045 | 11 | Nut, 10-32 serrated flange | |
| 6 | 66992 | 1 | Block, terminal - 4 x 6 push-on | |
| 7 | 60517 | 5 | Screw, .375-16x1.0 serrated flange hex | |
| 8 | 60020 | 1 | Nut, M8-1.25 serrated flange, G8.8 | |
| 9 | 66991 | 1 | Holder, fuse - 4 bank, ATO/ATC push-on | |
| 10 | 60505 | 12 | Nut, .312-18 U-clip - long type | |
| 11 | 33468W | 1 | Panel, without cam lock | |
| 12 | 30166B | 1 | Panel, cable guard | |
| 13 | 10000030583 | 1 | Assembly, outlet panel | |
| 14 | 18992 | 1 | Stud, ground - M8-1.25 x 100 mm | |
| 15 | 60145 | 5 | Nut, .375-16 serrated flange, G5 | |
| 16 | 10000030559 | 1 | Assembly, lug box | |
| -- | A0000463216 | 1 | Harness, control box | |

Battery Charger (if equipped):

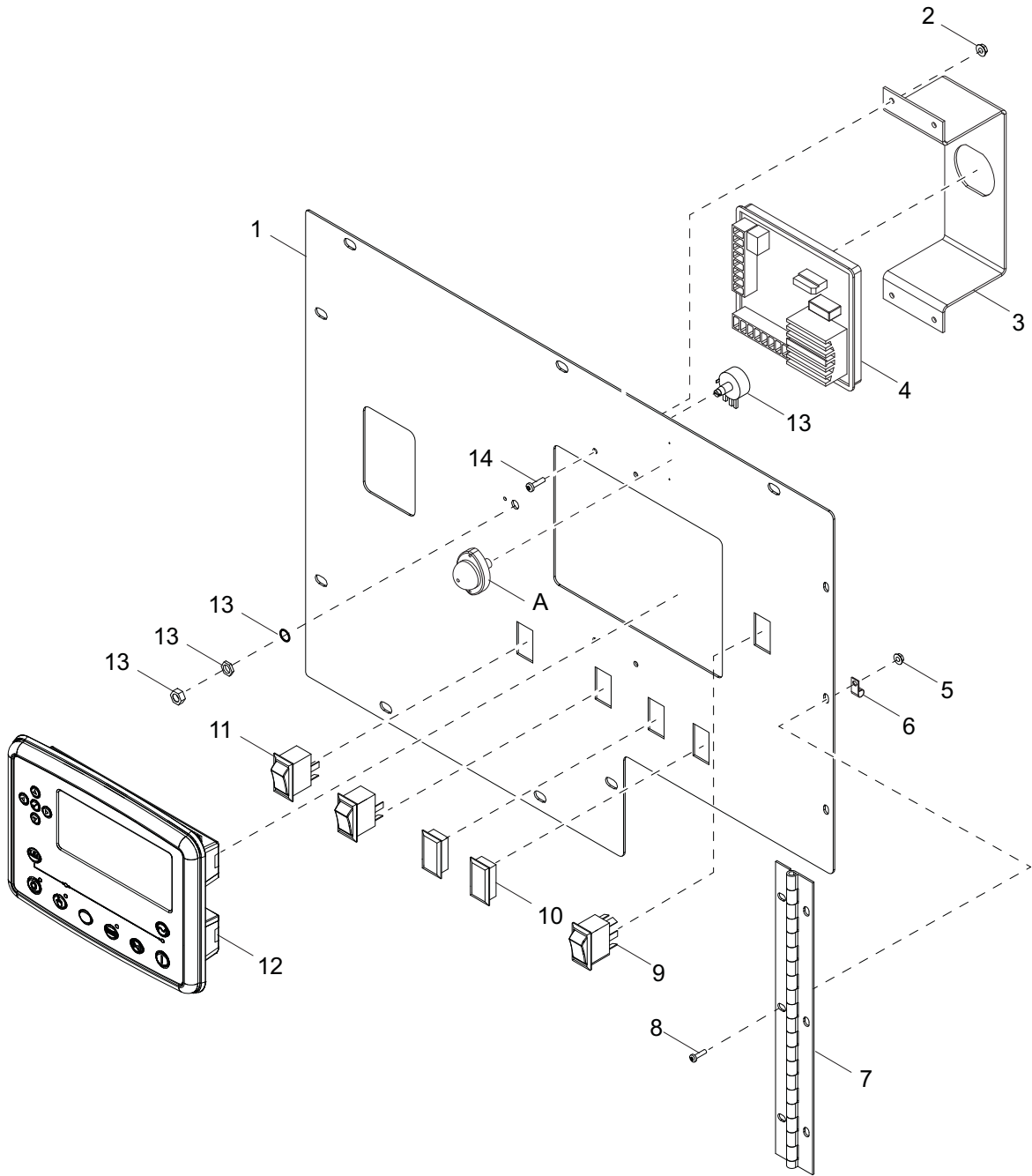
| | | | |
|---|-------|---|------------------------------------|
| A | 61045 | 2 | Nut, 10-32 serrated flange |
| B | 66212 | 1 | Charger, battery - 2A, 3 stage |
| C | 60648 | 2 | Screw, 10-32x.500 pan Phillips, G2 |

Cam Locks (if equipped):

| | | | |
|----|--------|---|--|
| D | 33444W | 1 | Panel, cam lock |
| E | 65551 | 1 | Connector, cam lock flange female, 400A, black |
| F | 65552 | 1 | Connector, cam lock flange female, 400A, red |
| G | 65553 | 1 | Connector, cam lock female, 400A, blue |
| H | 66040 | 1 | Connector, cam lock female, 400A, white |
| J | 66041 | 1 | Connector, cam lock female, 400A, green |
| -- | 67076 | 1 | Wire group, cam locks |

Note: To order replacement controller, contact Generac Mobile Products with unit serial number

CONTROL PANEL ASSEMBLY



03550

CONTROL PANEL ASSEMBLY

| Item | Part No. | Qty | Description | Notes |
|------|-------------|-----|--------------------------------------|----------------------|
| 1 | A0000175361 | 1 | Panel, control - digital | |
| 2 | 60457 | 4 | Nut, 10-24 nylock, G2 | |
| 3 | 34687W | 1 | Bracket, PM500/PM600 | |
| 4 | 36364 | 1 | Regulator, voltage - PM600 | |
| 5 | 61045 | 3 | Nut, 10-32 serrated flange | |
| 6 | 16143 | 2 | Clamp, tubing - .500 | |
| 7 | 19028 | 1 | Hinge, lug door - 12.38 | |
| 8 | 60398 | 3 | Screw, 10-32 x .500 pan Phillips, SS | |
| 9 | 66996 | 1 | Switch, rocker - on/-/off | |
| 10 | 34439 | 2 | Plug, panel switch - 1.91x.96 | |
| 11 | 66995 | 2 | Switch, rocker - on/-/off | |
| 12 | A0000223091 | 1 | Controller, MKII 7310 - programmed | call for information |
| 13 | 18113 | 1 | Assembly, potentiometer | |
| 14 | 60068 | 4 | Screw, 10-24 x .500 pan Phillips, G2 | |

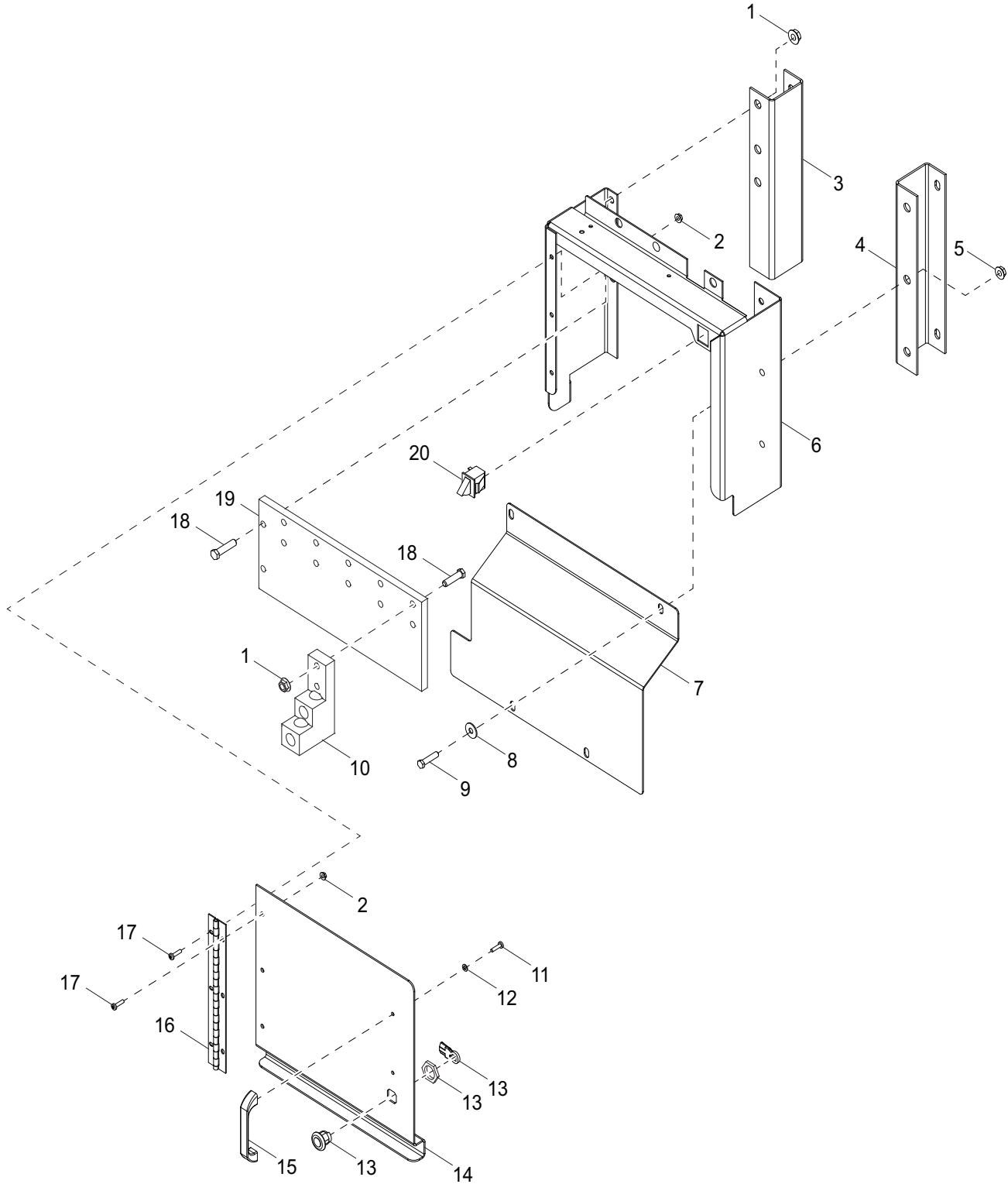
Control Panel Light (if equipped):

| | | | |
|----|-------|---|-------------------------------|
| A | 23025 | 1 | Light, interior control panel |
| -- | 66995 | 1 | Switch, rocker - on/-/off |
| -- | 68321 | 1 | Harness, control panel light |

Interior Light (if equipped):

| | | | |
|----|-------|---|---------------------------|
| -- | 66995 | 1 | Switch, rocker - on/-/off |
|----|-------|---|---------------------------|

LUG BOX ASSEMBLY

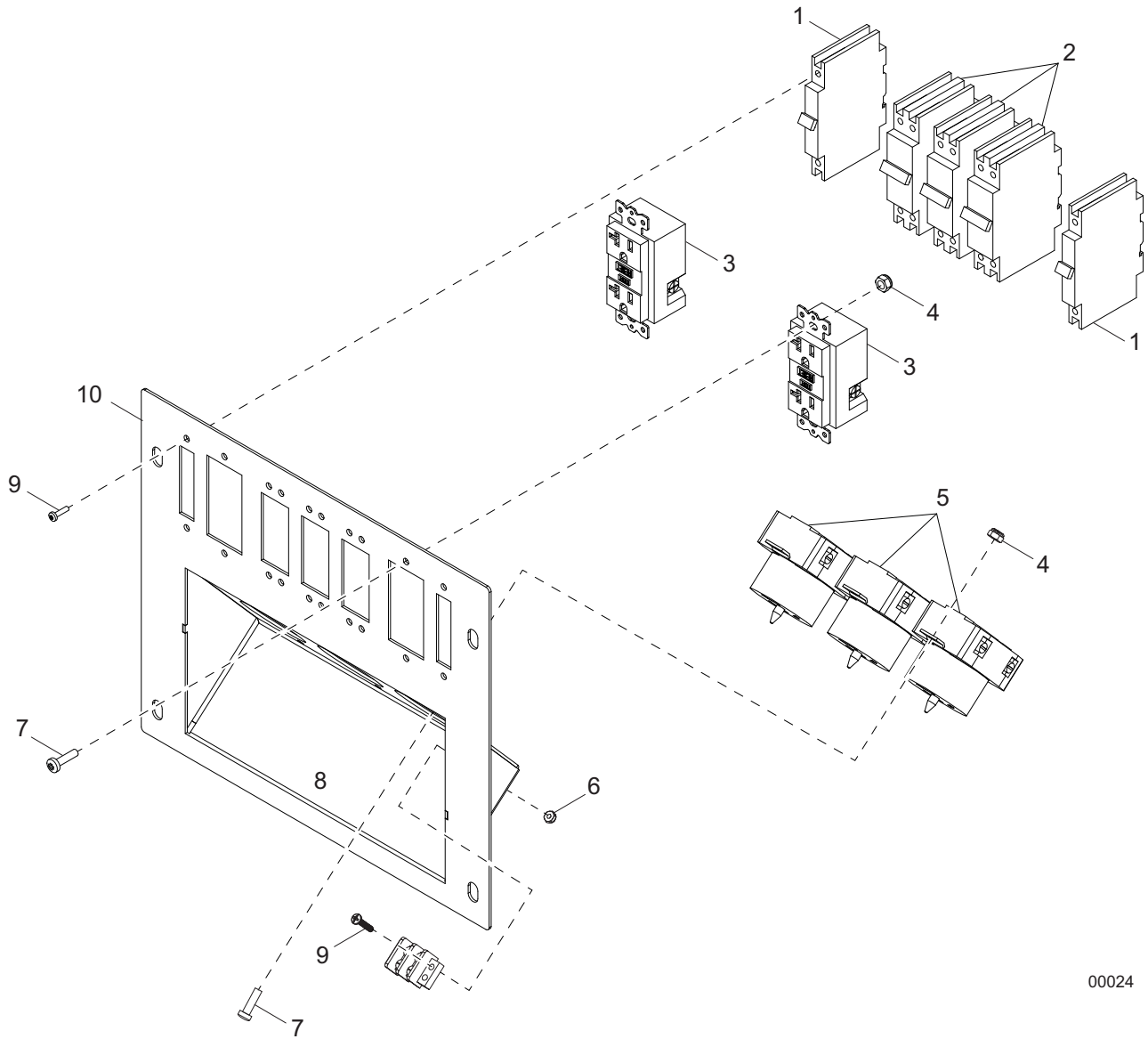


00021

LUG BOX ASSEMBLY

| Item | Part No. | Qty | Description | Notes |
|------|----------|-----|---|-------|
| 1 | 60145 | 13 | Nut, .375-16 serrated flange, G5 | |
| 2 | 61045 | 6 | Nut, 10-32 serrated flange | |
| 3 | 30141B | 1 | Bracket, glastic plate - left | |
| 4 | 30140B | 1 | Bracket, glastic plate - right | |
| 5 | 60095 | 2 | Nut, .312-18 serrated flange | |
| 6 | 33928W | 1 | Box, lug enclosure | |
| 7 | 33285B | 1 | Panel, lug box outlet | |
| 8 | 60452 | 2 | Washer, .313 flat 1.125/1.0 bonded rubber, SS | |
| 9 | 60507 | 2 | Screw, .312-18 x 1.0 standard hex, SS | |
| 10 | 65890 | 5 | Lug, terminal - dual, 2 hole stacked | |
| 11 | 60068 | 2 | Screw, 10-24 x .500 pan Phillips, G2 | |
| 12 | 60252 | 2 | Washer, #10 split lock | |
| 13 | 20762 | 1 | Lock, door - 1/4 turn cam | |
| 14 | 33199W | 1 | Panel, lug box door | |
| 15 | 18893 | 1 | Handle, lug door | |
| 16 | 22018 | 1 | Hinge, continuous - 10.25 in | |
| 17 | 60398 | 6 | Screw, 10-32 x .500 pan Phillips, SS | |
| 18 | 60398 | 13 | Screw, 10-32 x .500 pan Phillips, SS | |
| 19 | 28568 | 1 | Panel, lug box - glastic | |
| 20 | 12632 | 1 | Switch, trigger safety - NO & NC | |

RECEPTACLE PANEL ASSEMBLY

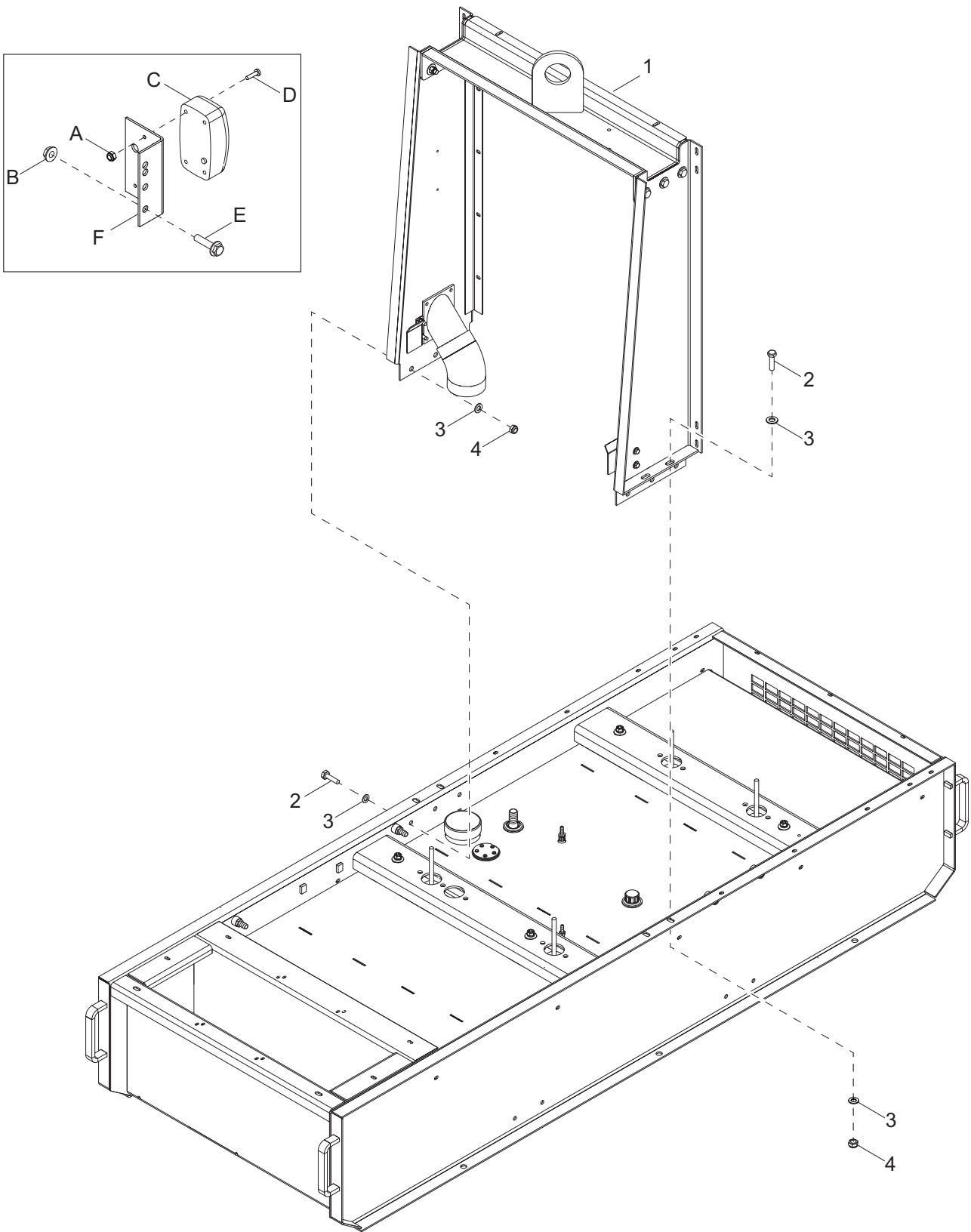


00024

RECEPTACLE PANEL ASSEMBLY

| Item | Part No. | Qty | Description | Notes |
|------|----------|-----|--------------------------------------|-------|
| 1 | 18091 | 2 | Breaker, 20A, 240V, 1-pole | |
| 2 | 18092 | 3 | Breaker, 50A, 240V, 2-pole | |
| 3 | 14130 | 2 | Receptacle, 120V/20A GFI | |
| 4 | 60061 | 10 | Nut, 10-32 nylock | |
| 5 | 18089 | 3 | Receptacle, 240V/50A twist-lock | |
| 6 | 60728 | 2 | Nut, 6-32 nylock, G5 | |
| 7 | 60648 | 10 | Screw, 10-32 x .500 pan Phillips, G2 | |
| 8 | 18890 | 1 | Block, terminal - 2 position | |
| 9 | 60046 | 18 | Screw, 6-32 x .750 pan Phillips, G2 | |
| 10 | 33531W | 1 | Weldment, receptacle panel | |
| -- | 67881 | 1 | Wire group - receptacle | |

LIFT STRUCTURE TO SKID ASSEMBLY



00025

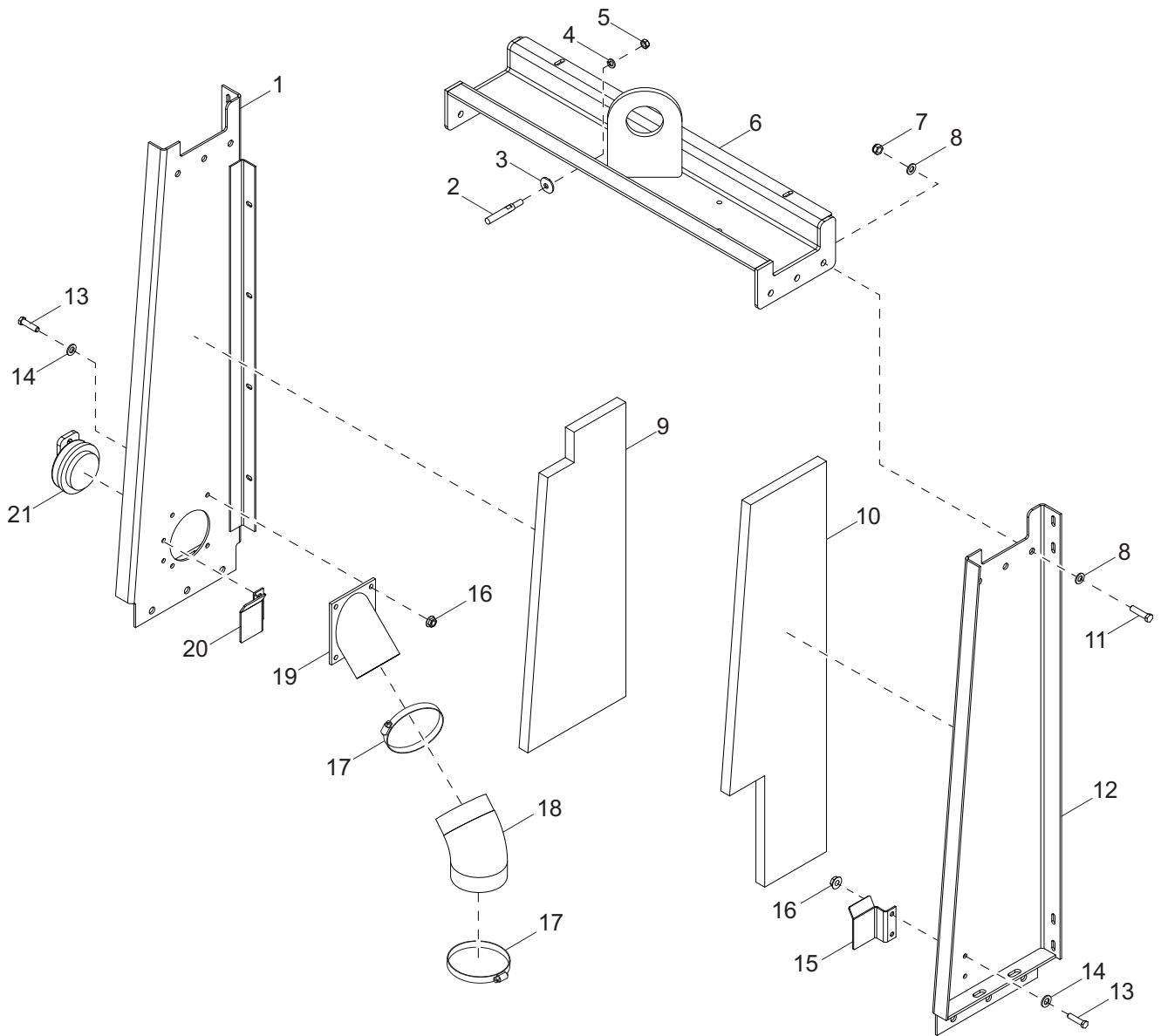
LIFT STRUCTURE TO SKID ASSEMBLY

| Item | Part No. | Qty | Description | Notes |
|------|-------------|-----|--|-------|
| 1 | 10000030572 | 1 | Assembly, lift structure | |
| 2 | 60388 | 10 | Screw, .500-13 x 1.50 standard hex, G5 | |
| 3 | 60309 | 20 | Washer, .500 flat 1.060/.090 | |
| 4 | 62221 | 10 | Nut, .500-13 nylock, G5 | |

Interior Light (if equipped):

| | | | | |
|----|--------|---|--|--|
| A | 60530 | 8 | Nut, 10-24 nylock, SS | |
| B | 60095 | 4 | Nut, .312-18 serrated flange | |
| C | 11947 | 2 | Light, interior w/switch | |
| D | 60529 | 8 | Screw, 10-24 x .625 pan Phillips, SS | |
| E | 61091 | 4 | Screw, .312-18 x 1.0 serrated flange hex, G5 | |
| F | 23528B | 2 | Bracket, interior light | |
| -- | 65932 | 1 | Harness, light option | |

LIFT STRUCTURE ASSEMBLY

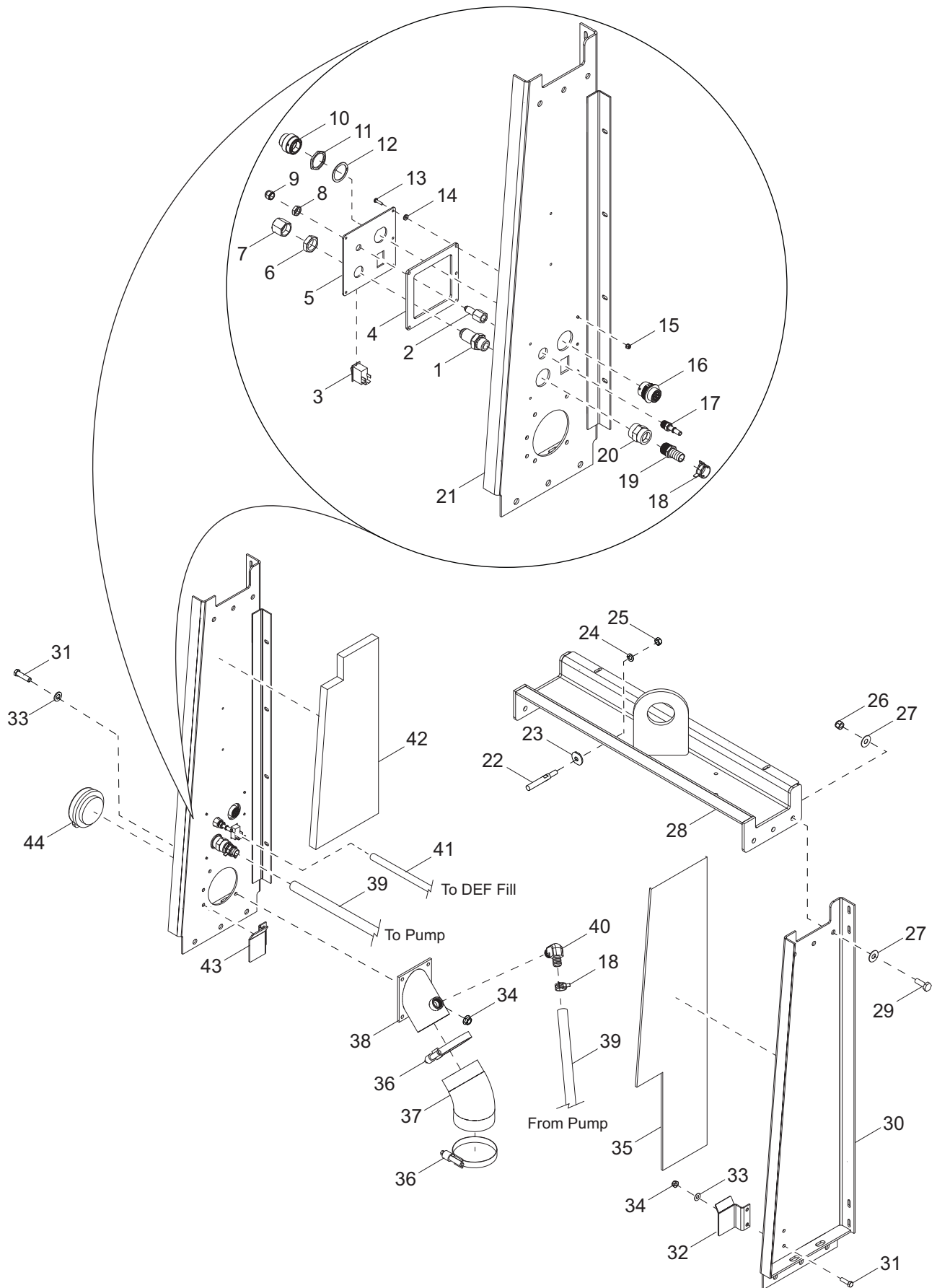


00026

LIFT STRUCTURE ASSEMBLY

| Item | Part No. | Qty | Description | Notes |
|------|-------------|-----|---|-------|
| 1 | 32680B | 1 | Weldment, lift channel - right | |
| 2 | 26979ZY | 1 | Pin, striker - 3.25 | |
| 3 | 24196 | 1 | Washer, striker pin - internal thread | |
| 4 | 60276 | 1 | Washer, .500 split lock | |
| 5 | 24046 | 1 | Striker nut - .438-14, G8 | |
| 6 | 32676B | 1 | Weldment, lift channel | |
| 7 | 62221 | 6 | Nut, .500-13 nylock, G5 | |
| 8 | 60309 | 12 | Washer, .500 flat 1.060/.090 | |
| 9 | 32469SRV | 1 | Foam, lift post - right | |
| 10 | 10000030574 | 1 | Foam, lift post - left | |
| 11 | 60388 | 6 | Screw, .500-13 x 1.50 standard hex, G5 | |
| 12 | 32678B | 1 | Weldment, lift channel - left | |
| 13 | 61036 | 8 | Screw, .375-16 x 1.25 standard hex, SS | |
| 14 | 60698 | 8 | Washer, .375 flat .875/.040, SS | |
| 15 | 28524B | 1 | Bracket, hood guide - left/front, left/rear | |
| 16 | 60145 | 8 | Nut, .375-16 serrated flange, G5 | |
| 17 | 19842 | 2 | Clamp, hose - SAE 072 (4.06-5.00) | |
| 18 | 22286 | 1 | Elbow, 45° 4.0 ID molded rubber | |
| 19 | 24296B | 1 | Weldment, fuel fill | |
| 20 | 28523B | 1 | Bracket, hood guide - right/front, right/rear | |
| 21 | 55104 | 1 | Cap, fuel fill - 3.50 | |

LIFT STRUCTURE ASSEMBLY - EXTERNAL FUEL (IF EQUIPPED)

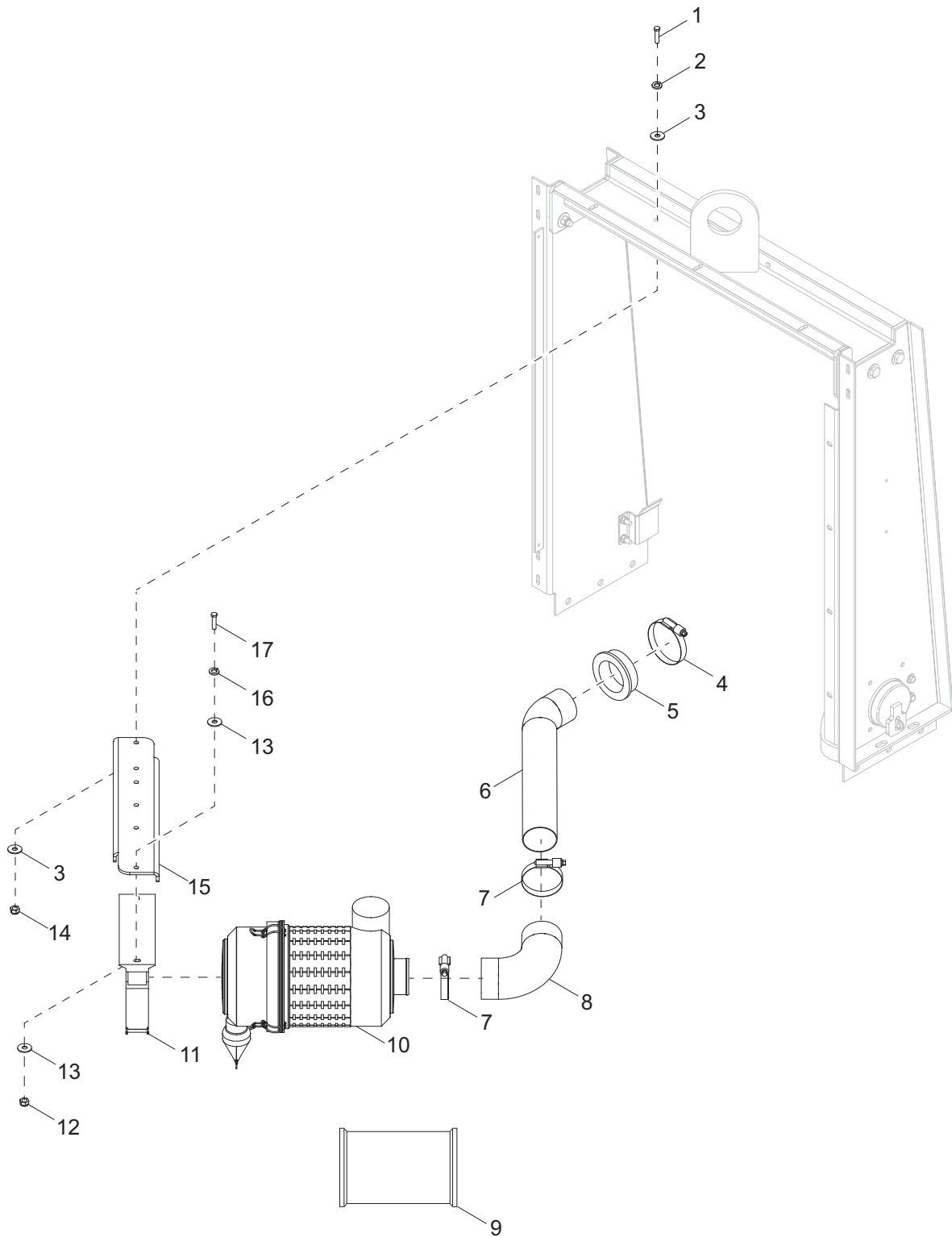


02691

LIFT STRUCTURE ASSEMBLY - EXTERNAL FUEL (IF EQUIPPED)

| Item | Part No. | Qty | Description | Notes |
|------|-------------|-----|--|-------|
| 1 | 10000034683 | 1 | Fitting, 1.125-12 ML 37° flare | |
| 2 | 10000034642 | 1 | Fitting, 9/16-18 male JIC-3/9-18FNPT - SS | |
| 3 | 66995 | 1 | Switch, rocker DPST, on-off | |
| 4 | 10000041841 | 1 | Gasket, rubber seal | |
| 5 | 10000034440 | 1 | Plate | |
| 6 | 10000034673 | 1 | Nut, 1.062-12 lock | |
| 7 | 10000035077 | 1 | Fitting, cap nut 1.062-12 JIC | |
| 8 | 10000034637 | 1 | Nut, 9/16-18 lock - SS | |
| 9 | 10000035057 | 1 | Fitting, cap nut .5625-18 JIC - SS | |
| 10 | 10000034701 | 1 | Cap, dust with chain | |
| 11 | 10000034643 | 1 | Nut, panel size 18 | |
| 12 | 10000034656 | 1 | Washer, lock size 18 receptacle - SS | |
| 13 | 61180 | 5 | Screw, 10-32 x .750 pan Phillips - SS | |
| 14 | 61222 | 5 | Washer, #10 sealing | |
| 15 | 61045 | 5 | Nut, 10-32 serrated flange | |
| 16 | 10000034619 | 1 | Connector, bulkhead HD34-18-14 pin | |
| 17 | 10000034686 | 1 | Fitting, straight .375NPT to .375 SAE - SS | |
| 18 | 10000037182 | 4 | Clamp, hose - spring type 27ST | |
| 19 | 30866 | 1 | Fitting, straight .750MNPT x .750 barb - brass | |
| 20 | 10000034694 | 1 | Fitting, .750-14FNPT to .750-14FNPT | |
| 21 | 10000035810 | 1 | Weldment, lift channel - right | |
| 22 | 26979ZY | 1 | Pin, striker - 3.25 | |
| 23 | 24196 | 1 | Washer, striker pin - internal thread | |
| 24 | 60276 | 1 | Washer, .500 split lock | |
| 25 | 24046 | 1 | Striker nut - .438-14, G8 | |
| 26 | 62221 | 6 | Nut, .500-13 nylock, G5 | |
| 27 | 60309 | 12 | Washer, .500 flat 1.060/.090 | |
| 28 | 32676B | 1 | Weldment, lift channel | |
| 29 | 60388 | 6 | Screw, .500-13 x 1.50 standard hex, G5 | |
| 30 | 32678B | 1 | Weldment, lift channel - left | |
| 31 | 61036 | 8 | Screw, .375-16 x 1.25 standard hex, SS | |
| 32 | 28524B | 1 | Bracket, hood guide - left/front, left/rear | |
| 33 | 60698 | 8 | Washer, .375 flat .875/.040, SS | |
| 34 | 60145 | 8 | Nut, .375-16 serrated flange, G5 | |
| 35 | 10000041851 | 1 | Foam, lift post | |
| 36 | 19842 | 2 | Clamp, hose - SAE 072 (4.06-5.00) | |
| 37 | 22286 | 1 | Elbow, 45° 4.0 ID molded rubber | |
| 38 | 10000035997 | 1 | Weldment, fuel fill | |
| 39 | 50332 | 2 | Hose, fuel .750ID 35 PSI SAE 30R7 | |
| 40 | 27673 | 1 | Fitting, 90° .750MNPT X .750 barb - brass | |
| 41 | 10000037064 | 1 | Hose, DEF heated suction 12V 1.5M | |
| 42 | 10000041852 | 1 | Foam, lift post | |
| 43 | 28523B | 1 | Bracket, hood guide - right/front, right/rear | |
| 44 | 55104 | 1 | Cap, fuel fill - 3.50 | |

AIR FILTER ASSEMBLY

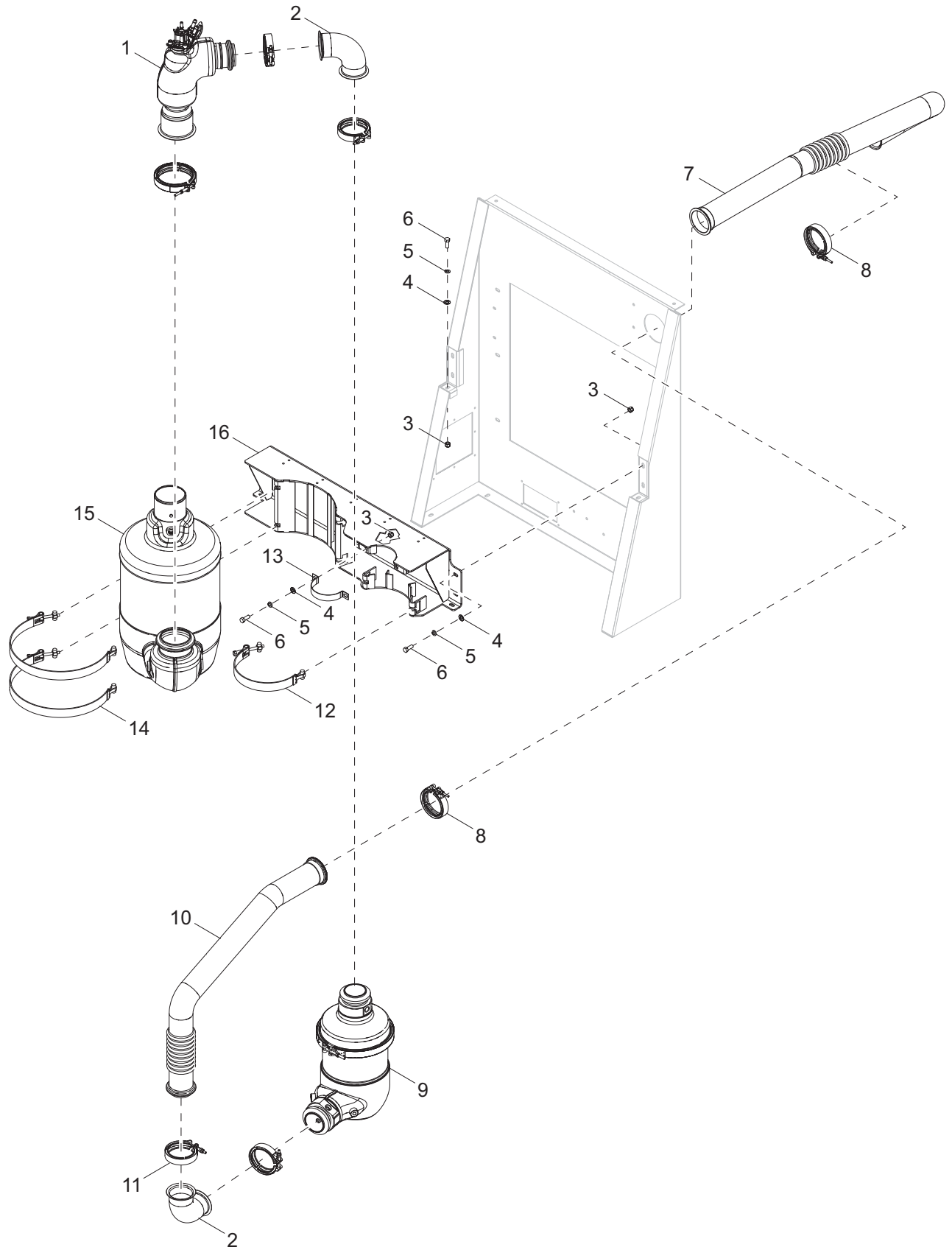


00027

AIR FILTER ASSEMBLY

| Item | Part No. | Qty | Description | Notes |
|------|-------------|-----|--|-------|
| 1 | 61036 | 2 | Screw, .375-16 x 1.250 standard hex - SS | |
| 2 | 60703 | 2 | Washer, .375 split lock - SS | |
| 3 | 60698 | 4 | Washer, .375 flat .875/.040 - SS | |
| 4 | 60665 | 1 | Clamp, hose - constant torque - 3.75-4.625 | |
| 5 | 19565 | 1 | Insert, air hose reducer 3.0-4.0 | |
| 6 | 32816 | 1 | Pipe, air inlet | |
| 7 | 60818 | 1 | Clamp, hose - constant torque - 3.25-4.125 | |
| 8 | 28446 | 1 | Elbow, 90° 3.00ID - molded rubber | |
| 9 | 26722 | 1 | Element, air filter | |
| 10 | 26465 | 1 | Filter, air cleaner | |
| 11 | 26466 | 1 | Clamp, air filter | |
| 12 | 62079 | 2 | Nut, .312-18 nylock jam | |
| 13 | 60340 | 4 | Washer, .312 flat - SS | |
| 14 | 60358 | 2 | Nut, .375-16 nylock, G5 | |
| 15 | 10000015794 | 1 | Channel, air filter | |
| 16 | 60701 | 2 | Washer, .312 split lock - SS | |
| 17 | 61052 | 2 | Screw, .312-18 x 1.50 standard hex - SS | |

EXHAUST SYSTEM ASSEMBLY

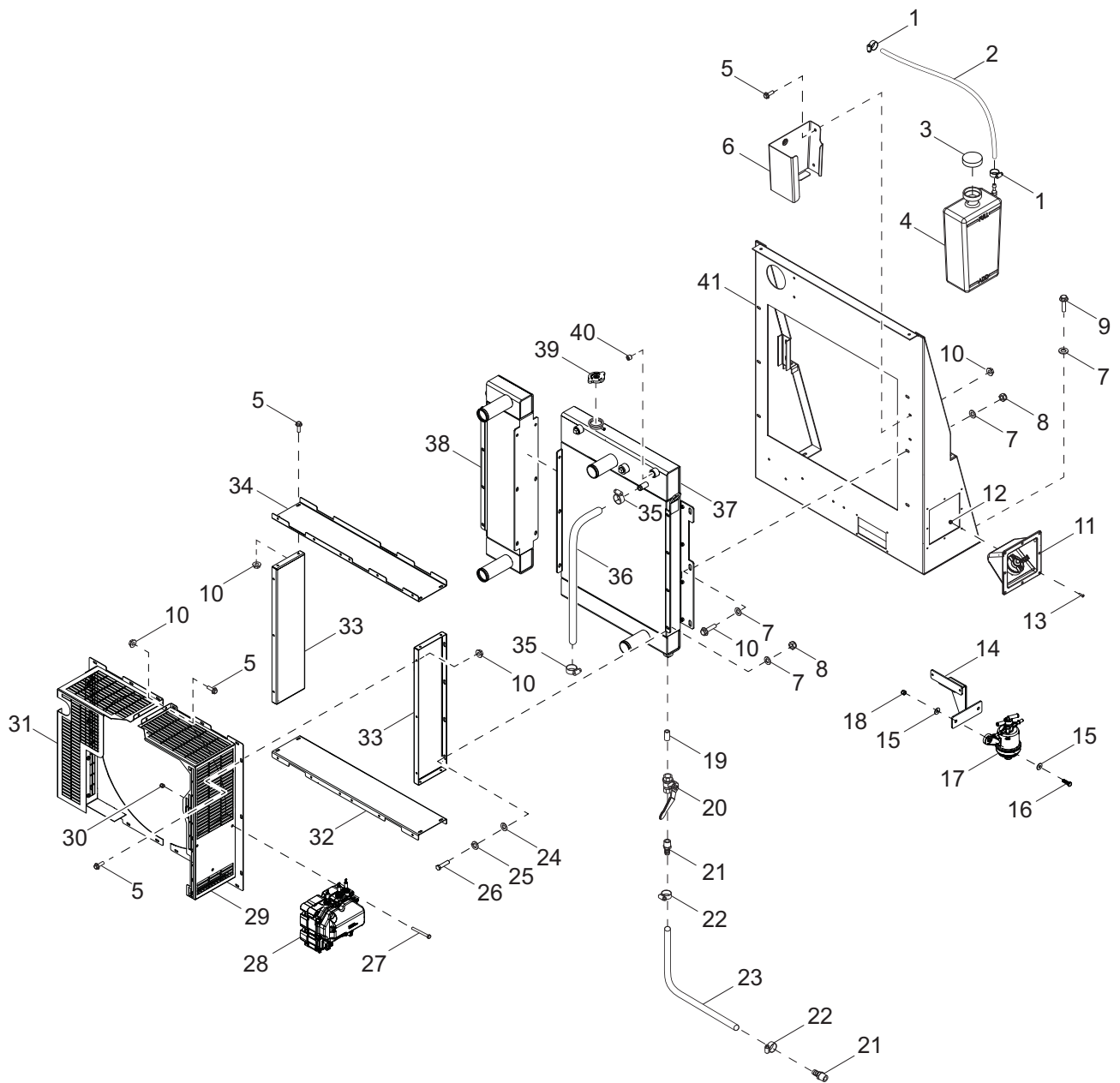


02512

EXHAUST SYSTEM ASSEMBLY

| Item | Part No. | Qty | Description | Notes |
|------|-------------|-----|--|-------|
| 1 | N/A | 1 | Decomp, Deere | |
| 2 | 10000015593 | 2 | Pipe, rear outlet - left | |
| 3 | 60358 | 8 | Nut, .375-16 nylock, G5 | |
| 4 | 60151 | 8 | Washer, .375 flat | |
| 5 | 60206 | 8 | Washer, .375 split lock | |
| 6 | 60205 | 8 | Screw, .375-16 x 1.00 standard hex, G5 | |
| 7 | 10000019095 | 1 | Weldment, exhaust pipe | |
| 8 | 63247 | 2 | Clamp, V-band 3.82 ID | |
| 9 | N/A | 1 | DOC, Deere | |
| 10 | 10000019094 | 1 | Weldment, exhaust pipe DOC | |
| 11 | 63248 | 1 | Clamp, V-band 3.88 ID | |
| 12 | 10000015934 | 1 | Strap, Deere | |
| 13 | 10000016003 | 1 | Clamp, DOC | |
| 14 | 10000014570 | 2 | Strap, Deere | |
| 15 | N/A | 1 | SCR, Deere | |
| 16 | 10000015931 | 1 | Bracket, SCR/DOC | |
| -- | 10000020385 | 1 | Blanket, exhaust elbow | |
| -- | 10000020349 | 1 | Blanket, exhaust DOC | |
| -- | 10000020391 | 1 | Blanket, exhaust turbo | |

COOLING SYSTEM ASSEMBLY

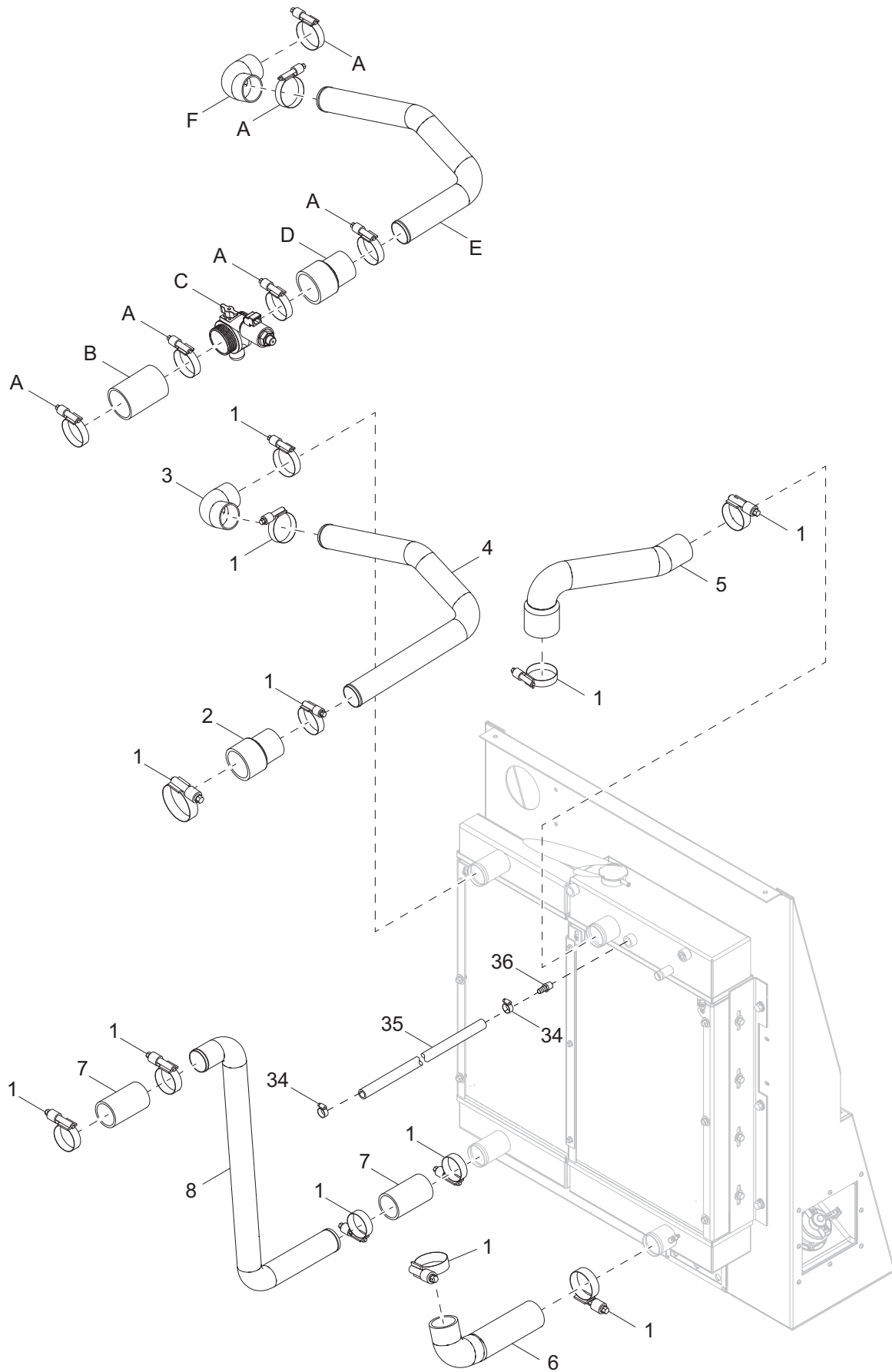


03549

COOLING SYSTEM ASSEMBLY

| Item | Part No. | Qty | Description | Notes |
|------|-------------|---------|---|-------|
| 1 | 63192 | 2 | Clamp, crimping band - .464 in | |
| 2 | 50018 | 1.66 ft | Hose, fuel - .312 ID, 50 psi, SAE 30R7 | |
| 3 | 19714 | 1 | Cap, overflow bottle | |
| 4 | 24952 | 1 | Jug, overflow 2.5 qt | |
| 5 | 60175 | 27 | Screw, .250-20 x .500 serrated flange, G5 | |
| 6 | 26211B | 1 | Bracket, overflow jug | |
| 7 | 60340 | 28 | Washer, .312 flat .875/.040 | |
| 8 | 60095 | 10 | Nut, .312-18 serrated flange | |
| 9 | 60507 | 10 | Screw, .312-18 x 1.00 standard hex, SS | |
| 10 | 60161 | 27 | Nut, .250-20 serrated flange, G5 | |
| 11 | 54007 | 1 | Assembly, fluid guard | |
| 12 | 60530 | 8 | Nut, 10-24 nylock - SS | |
| 13 | 60540 | 8 | Screw, 10-24 x .750 pan Phillips - SS | |
| 14 | A0001073981 | 1 | Weldment, DEF filter bracket | |
| 15 | 60386 | 4 | Washer, .375 flat .993/.064 | |
| 16 | 60352 | 2 | Screw, .375-16 x 1.250 standard hex, G5 | |
| 17 | A0000988376 | 1 | Housing, filter - DEF | |
| 18 | 60358 | 2 | Nut, .375-16 nylock, G5 | |
| 19 | 60438 | 1 | Fitting, nipple, pipe - .500NPT x close | |
| 20 | 19279 | 1 | Valve, ball .500NPTF | |
| 21 | 60502 | 2 | Fitting, strt - .500MNPT x .625 barb. brass | |
| 22 | 63252 | 2 | Clamp, hose - size 24, spring type | |
| 23 | 50201 | .67 ft | Hose, .625 ID, 200 psi, class A | |
| 24 | 60243 | 6 | Washer, .250 flat .735/.060 | |
| 25 | 60271 | 6 | Washer, .312 split lock | |
| 26 | 60168 | 6 | Screw, .312-18 x .750 standard hex, G5 | |
| 27 | 60404 | 3 | Screw, .312-18 x 4.00 standard hex, G5 | |
| 28 | 3023147 | 1 | Pump, DEF | |
| 29 | 10000044630 | 1 | Weldment, fan guard - right | |
| 30 | 60303 | 3 | Nut, .312-18 nylock, G2 | |
| 31 | 10000044620 | 1 | Weldment, fan guard - left | |
| 32 | 10000044568 | 1 | Shroud, bottom | |
| 33 | 10000044558 | 2 | Shroud, side | |
| 34 | 10000044610 | 1 | Shroud, top | |
| 35 | 15422 | 2 | Clamp, SAE 020 (.75-1.75) | |
| 36 | 50170 | 2.83 ft | Hose, .750 in., class A | |
| 37 | 10000044566 | 1 | Radiator | |
| 38 | 10000044594 | 1 | CAC | |
| 39 | 33219 | 1 | Cap, radiator pressure - 18 psi | |
| 40 | 18394 | 1 | Fitting, plug - .500NPT x internal hex | |
| 41 | 10000015465 | 1 | Panel, bulkhead | |

COOLING SYSTEM HOSES



02514

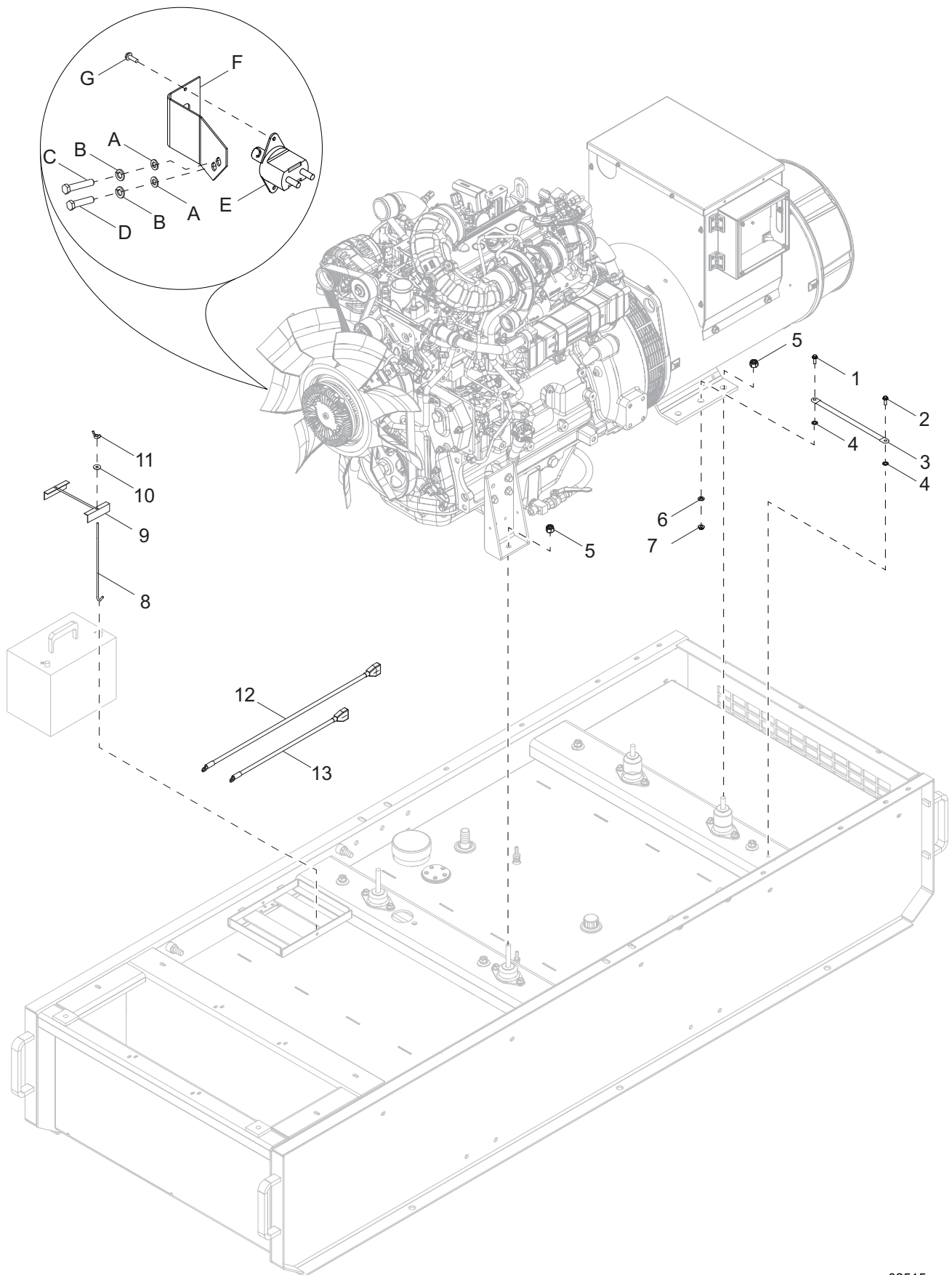
COOLING SYSTEM HOSES

| Item | Part No. | Qty | Description | Notes |
|------|-------------|---------|---|-------|
| 1 | 60666 | 12 | Clamp, hose constant torque 2.250-3.125 | |
| 2 | 22060 | 1 | Hose, CAC 2.00-2.50 x 4.00 | |
| 3 | 27775 | 1 | Hose, CAC 2.00 x 90° | |
| 4 | 10000015666 | 1 | Pipe, CAC outlet | |
| 5 | 10000015694 | 1 | Hose, radiator - upper | |
| 6 | 10000015665 | 1 | Hose, radiator - lower | |
| 7 | 28540 | 2 | Hose, CAC 2.00 x 4.00 | |
| 8 | 10000016480 | 1 | Pipe, CAC inlet | |
| 9 | 63250 | 2 | Clamp, hose - size 16, spring type | |
| 10 | 50018 | 1.42 ft | Hose, fuel - .312 ID, 50 psi, SAE 30R7 | |
| 11 | 60999 | 1 | Fitting, strt - .500MNPT x .312 barb, brass | |

Positive Air Shutdown (if equipped):

| | | | |
|---|-------------|---|---|
| A | 60666 | 6 | Clamp, hose constant torque 2.250-3.125 |
| B | 28541 | 1 | Hose, CAC - 2.50 x 4.00 |
| C | 50739 | 1 | Valve, PAS 2.50 diameter ESD - 12V |
| D | 22060 | 1 | Hose, CAC 2.00-2.50 x 4.00 |
| E | 10000022914 | 1 | Pipe, CAC outlet - PAS |
| F | 27775 | 1 | Hose, CAC 2.00 x 90° |

ENGINE AND GENERATOR TO SKID ASSEMBLY



02515

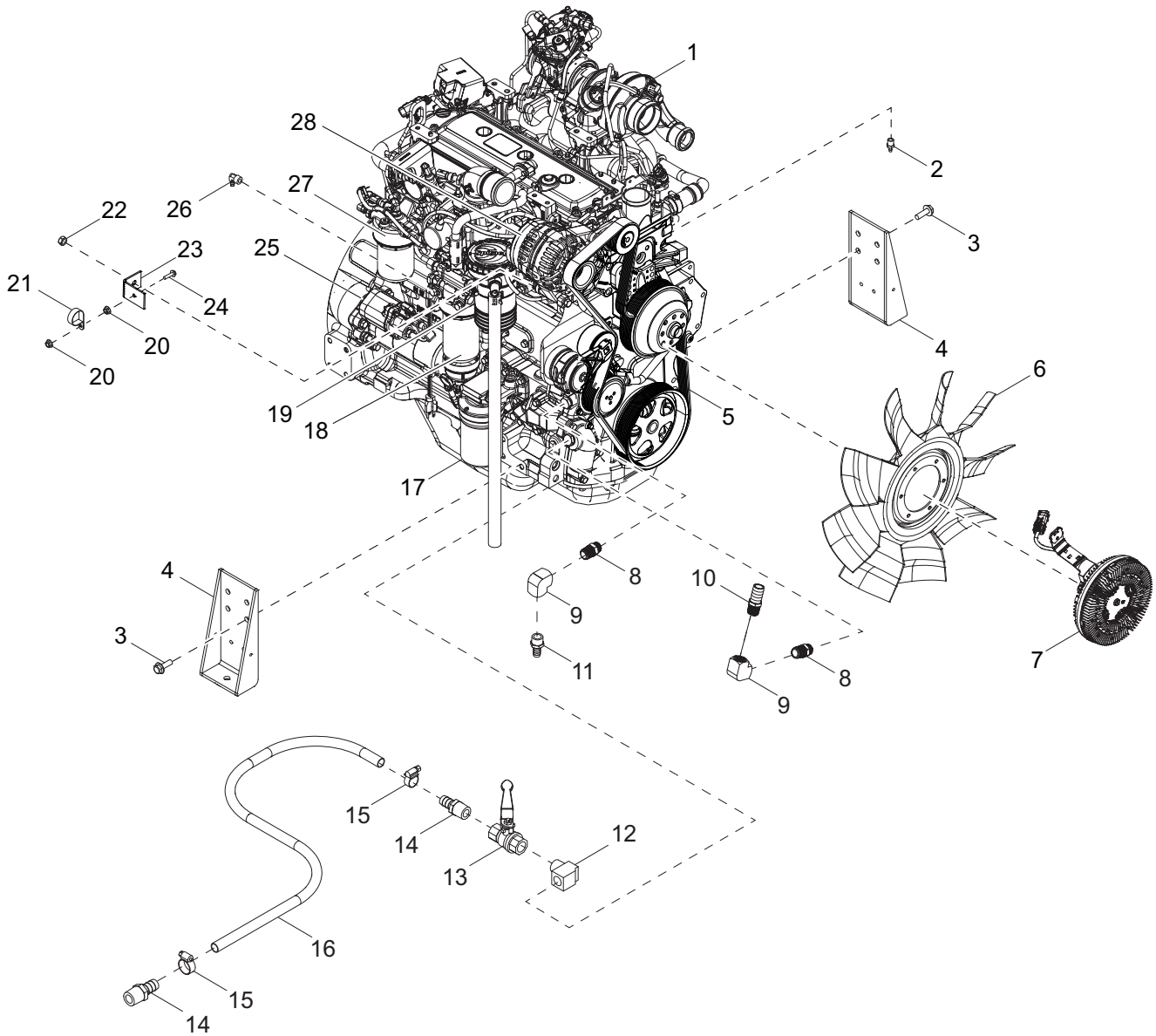
ENGINE AND GENERATOR TO SKID ASSEMBLY

| Item | Part No. | Qty | Description | Notes |
|------|----------|-----|---|-------|
| 1 | 60487 | 1 | Screw, .375-16 x 1.50 serrated flange hex, G5 | |
| 2 | 60353 | 1 | Screw, .375-16 x 1.0 flange hex, self tapping, G2 | |
| 3 | 19042 | 1 | Strap, braided ground - 10 in | |
| 4 | 60369 | 2 | Washer, M12 ext star | |
| 5 | 62221 | 8 | Nut, .500-13 nylock, G5 | |
| 6 | 60386 | 1 | Washer, .375 flat .993/.064 | |
| 7 | 60145 | 1 | Nut, .375-16 serrated flange hex, G5 | |
| 8 | 60820 | 2 | Bolt, J - .250-20 x 10.0 | |
| 9 | 14682 | 1 | Bracket, battery hold down | |
| 10 | 60089 | 2 | Washer, .265 fender 1.25/.060 | |
| 11 | 60090 | 2 | Nut, .250-20 wing, G5 | |
| 12 | 18693 | 1 | Cable, battery - 38 in. 2/0 red, .500 in. lug | |
| 13 | 67044 | 1 | Cable, battery - 24 in. 2/0 black, .625 in. lug | |

Battery Disconnect (if equipped):

| | | | |
|---|--------|---|---|
| A | 60193 | 2 | Washer, M16 flat |
| B | 60194 | 2 | Washer, M16 split lock |
| C | 60381 | 1 | Screw, M16-2.0 x 50 standard hex, G10.9 |
| D | 60489 | 1 | Screw, M16-2.0 x 40 standard hex, G10.9 |
| E | 21489 | 1 | Switch, battery disconnect |
| F | 33415B | 1 | Bracket, battery disconnect |
| G | 60523 | 2 | Screw, .250-20 x .875 serrated flange hex |
| H | 68340 | 1 | Jumper, positive battery disconnect |

ENGINE ASSEMBLY



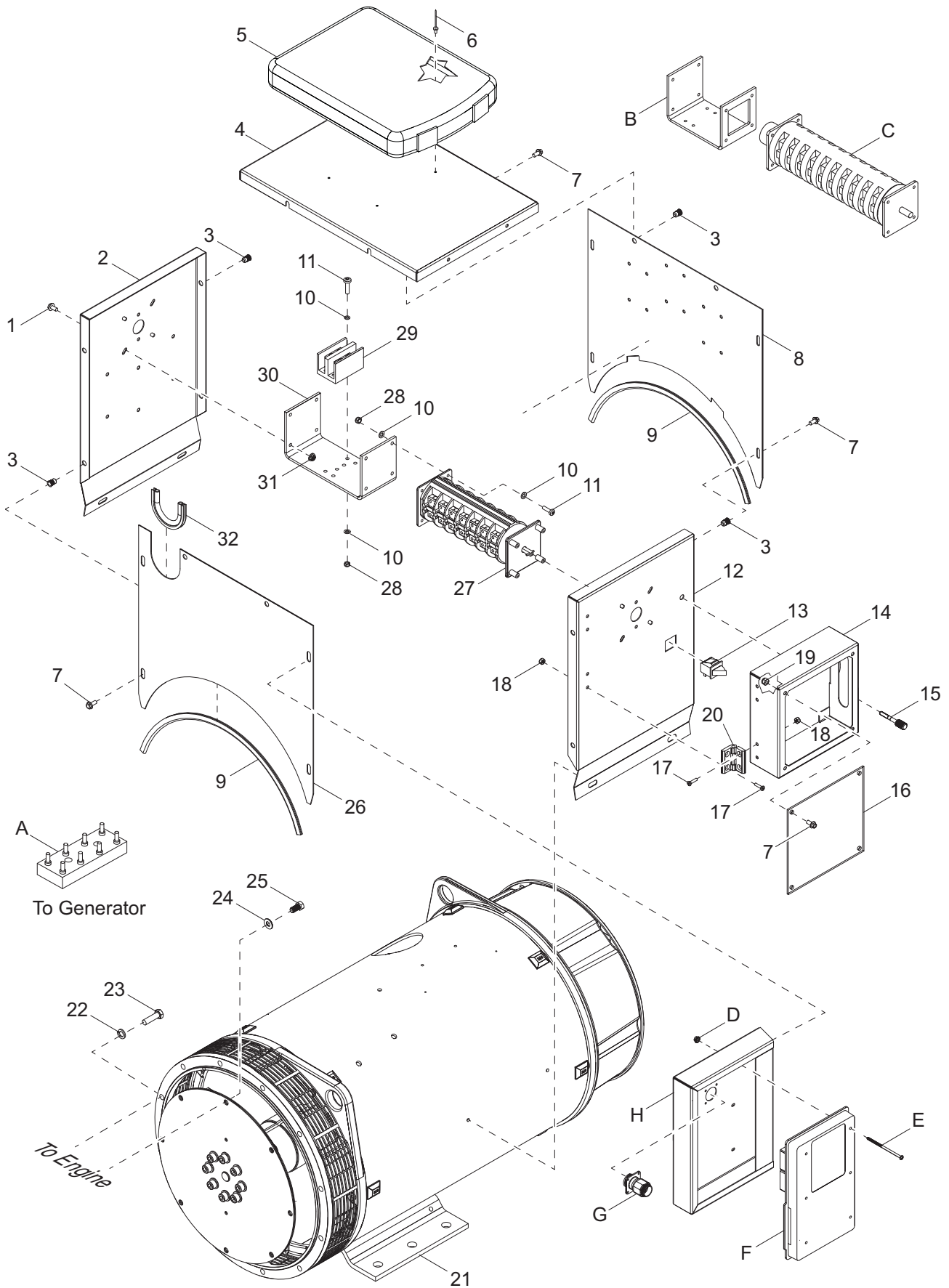
02516

ENGINE ASSEMBLY

| Item | Part No. | Qty | Description | Notes |
|------|-------------|---------|---|-------|
| 1 | A0001025555 | 1 | Engine, Deere - 4045HFG04, 99 KWT4 | |
| 2 | 63239 | 1 | Fitting, fuel-return - .56 x .312 barb | |
| 3 | 60072 | 6 | Screw, M12-1.75 x 25 serrated flange hex, G10.9 | |
| 4 | 33528B | 2 | Weldment, engine mount | |
| 5 | 33021 | 1 | Belt, fan | |
| 6 | 30269 | 1 | Fan, 23 in | |
| 7 | 32804 | 1 | Clutch, fan - for 23 in | |
| 8 | 19257 | 2 | Fitting, straight .500MNPT x M18 | |
| 9 | 22462 | 2 | Fitting, 90° - .500FNPT x .500FNPT, brass | |
| 10 | 60437 | 1 | Fitting, straight- .500NPT x .750 barb, brass | |
| 11 | 40728 | 1 | Fitting, straight .500MNPT x .500 barb | |
| 12 | 60998 | 1 | Fitting, 90°, .500MNPT x .500FNPT - brass | |
| 13 | 19279 | 1 | Valve, ball - .500NPTF | |
| 14 | 60502 | 2 | Fitting, strt - .500MNPT x .625 barb, brass | |
| 15 | 63252 | 2 | Clamp, hose - size 24, spring type | |
| 16 | 50201 | 3.62 ft | Hose, fuel - .625 horizon 200 psi, class A | |
| 17 | 22378 | 1 | Filter, oil | |
| 18 | 10000018039 | 1 | Filter, fuel - primary | |
| 19 | 10000031050 | 1 | Element, OVR filter | |
| 20 | 60161 | 2 | Nut, .250-20 serrated flange, G5 | |
| 21 | 60716 | 1 | Clamp, tubing - 1.50 lt duty | |
| 22 | 60344 | 1 | Nut, M10-1.25 hex, SS | |
| 23 | 32731B | 1 | Bracket, manual holder | |
| 24 | 60479 | 1 | Screw, .250-20 x 1.0 serrated flange hex, G5 | |
| 25 | 33027 | 1 | Starter | |
| 26 | 33414 | 1 | Fitting, 90°, M14 x 1.5 x .375 barb | |
| 27 | 10000030989 | 1 | Filter, fuel - secondary | |
| 28 | 33026 | 1 | Alternator | |

Note: Engine and generator parts used in all Generac Mobile Products LLC equipment carry the Original Equipment Manufacturer (OEM) warranty unless otherwise stated. OEM warranty parts must be purchased through an OEM dealer. Please contact Generac Mobile Products LLC with questions.

GENERATOR ASSEMBLY



02517

GENERATOR ASSEMBLY

| Item | Part No. | Qty | Description | Notes |
|------|-------------|------|---|-------|
| 1 | 60115 | 8 | Screw, M6-1.00 x 12 serrated flange hex, G8.8 | |
| 2 | 18763B | 1 | Panel, generator box - side | |
| 3 | 62132 | 13 | Insert, threaded .250-20 splined | |
| 4 | 10000021999 | 1 | Panel, generator box - top | |
| 5 | 24540 | 1 | Manual holder | |
| 6 | 60268 | 4 | Rivet, .188 diameter x .126to .250 grip - SS | |
| 7 | 60175 | 16 | Screw, .250-20 x .500 serrated flange hex, G5 | |
| 8 | 18769B | 1 | Panel, generator box - rear | |
| 9 | 19046SRV | 2 ft | Seal, generator box | |
| 10 | 60041 | 12 | Washer, M5 flat | |
| 11 | 60156 | 4 | Screw, M5-0.80 x 16 pan Phillips, G4.8 | |
| 12 | 10000017797 | 1 | Panel, switch - generator box | |
| 13 | 12632 | 1 | Switch, trigger safety, N.O & N.C. | |
| 14 | 10000017788 | 1 | Cover, phase selector | |
| 15 | 29344 | 1 | Screw, .250-20 x 1.80 thumb | |
| 16 | 55041 | 1 | Door, phase switch | |
| 17 | 73124 | 8 | Screw, 10-24 x .875 flat head Phillips - SS | |
| 18 | 60530 | 8 | Nut, 10-24 nylock - SS | |
| 19 | 60144 | 4 | Nut, .250-20 nylock, G5 | |
| 20 | 35394 | 2 | Hinge, small door | |
| 21 | 10000031593 | 1 | Generator, GRP 100TF4 - Superstart | |
| -- | A0000019378 | 1 | Generator, 362PSL 1650 SAE#3 - Marathon | |
| 22 | 60026 | 12 | Washer, M10 split lock | |
| 23 | 60055 | 12 | Screw, M10-150 x 35 standard hex, G10.9 | |
| 24 | 60151 | 8 | Washer, .375 flat | |
| 25 | 60179 | 8 | Screw, .375-16 x .750 standard hex, G8 | |
| 26 | 18772B | 1 | Panel, generator box - front | |
| 27 | 65500 | 1 | Switch, phase - 125A, 3 position | |
| 28 | 60038 | 8 | Nut, M5-.80 nylock, class 6 | |
| 29 | 19368 | 1 | Block, terminal - 2-pole lug type, 2/0 | |
| 30 | 23395B | 1 | Bracket, selector switch - 3 position | |
| 31 | 60036 | 4 | Nut, M6-1.00 serrated flange, G8.8 | |
| 32 | 19351 | 1 ft | Seal, U-channel | |
| -- | 62136 | 1 | Ring, snap .147ID x .335 OD - E type | |

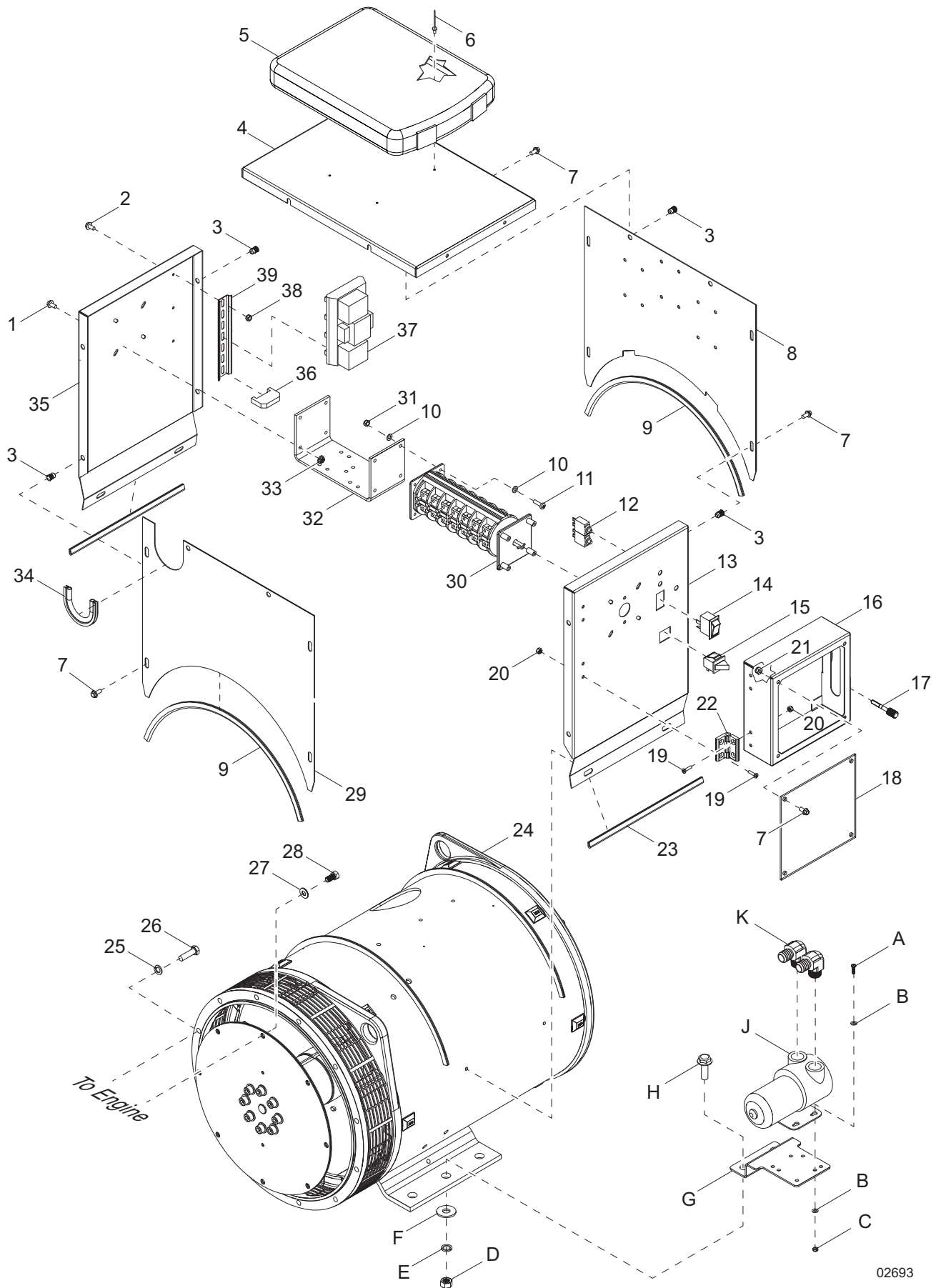
4 Position Phase Switch (if equipped):

| | | | | |
|---|--------|---|------------------------------------|------------------|
| A | 65740 | 1 | Lug block, 8 position | |
| B | 28512B | 1 | Bracket, phase switch - 4 position | Replaces item 30 |
| C | 65667 | 1 | Switch, phase - 125A, 4 position | Replaces item 27 |

DVR (if equipped):

| | | | | |
|---|-------------|---|---|--|
| D | 61097 | 1 | Nut, 8-32 serrated flange, G5 | |
| E | 10000023146 | 1 | Screw, 8-32 x 3.5 - SS | |
| F | 66891 | 1 | Voltage regulator, DVR2000E+ | |
| G | 68478 | 1 | Connector, receptacle 16 position TE flange | |
| H | 10000022929 | 1 | Bracket, DVR | |

GENERATOR ASSEMBLY (V-FLEX OPTION)



02693

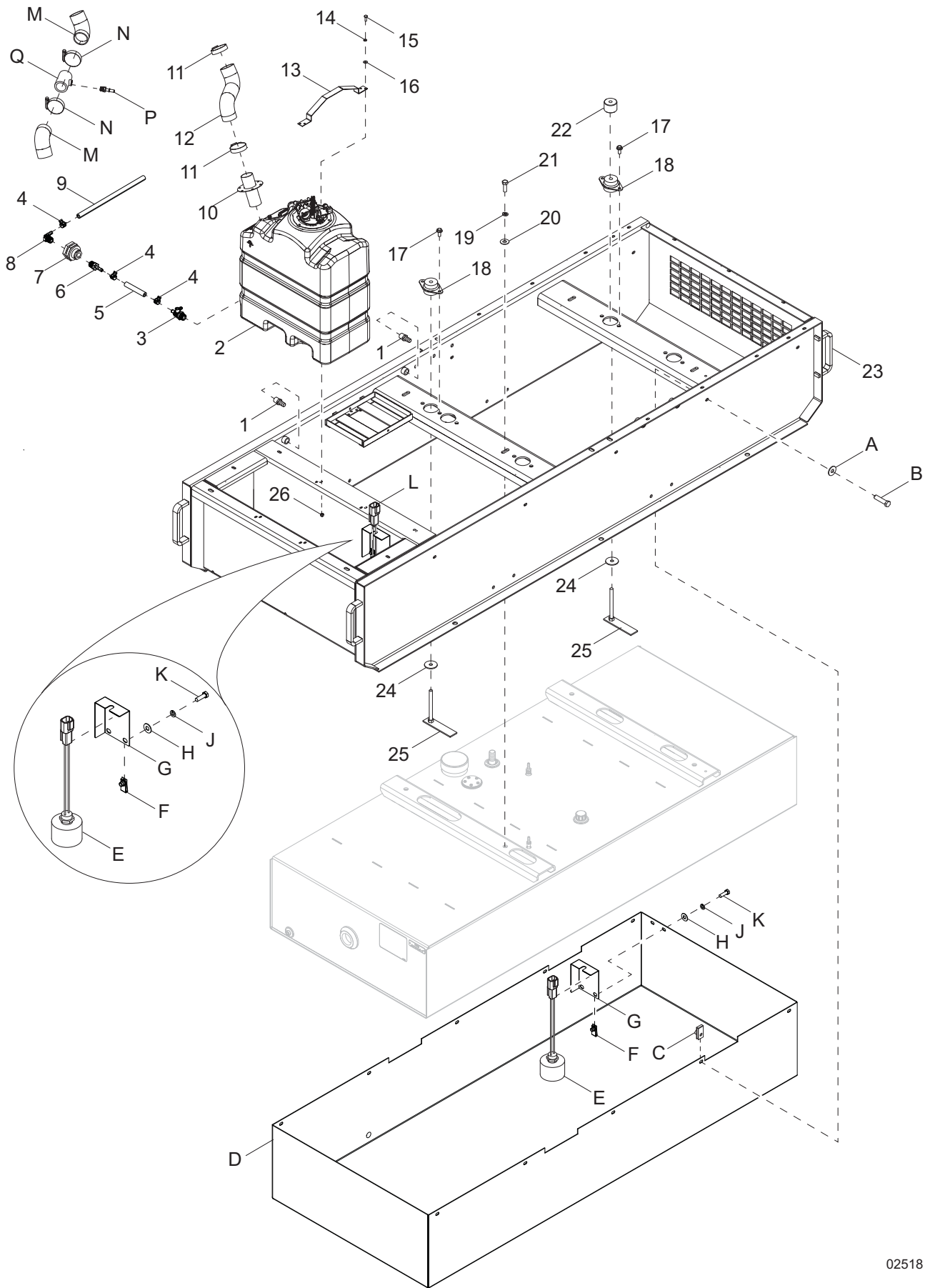
GENERATOR ASSEMBLY (V-FLEX OPTION)

| Item | Part No. | Qty | Description | Notes |
|------|-------------|------|---|-------|
| 1 | 60115 | 8 | Screw, M6-1.00 x 12 serrated flange hex, G8.8 | |
| 2 | 60277 | 2 | Screw, 10-32 c .500 pan Phillips, G2 | |
| 3 | 62132 | 13 | Insert, threaded .250-20 splined | |
| 4 | 10000021999 | 1 | Panel, generator box - top | |
| 5 | 24540 | 1 | Manual holder | |
| 6 | 60268 | 4 | Rivet, .188 diameter x .126to .250 grip - SS | |
| 7 | 60175 | 16 | Screw, .250-20 x .500 serrated flange hex, G5 | |
| 8 | 18769B | 1 | Panel, generator box - rear | |
| 9 | 19351 | 2 ft | Seal, generator box | |
| 10 | 60041 | 12 | Washer, M5 flat | |
| 11 | 60156 | 8 | Screw, M5-0.80 x 16 pan Phillips, G4.8 | |
| 12 | 65850 | 2 | Breaker, 10A 240V, 1 pole - push button | |
| 13 | 10000032603 | 1 | Panel, switch - generator box | |
| 14 | 66995 | 1 | Switch, rocker DPST - on/off | |
| 15 | 12632 | 1 | Switch, trigger safety, N.O & N.C. | |
| 16 | 10000017788 | 1 | Cover, phase selector | |
| 17 | 29344 | 1 | Screw, .250-20 x 1.80 thumb | |
| 18 | 55041 | 1 | Door, phase switch | |
| 19 | 73124 | 8 | Screw, 10-24 x .875 flat head Phillips - SS | |
| 20 | 60530 | 8 | Nut, 10-24 nylock - SS | |
| 21 | 60144 | 4 | Nut, .250-20 nylock, G5 | |
| 22 | 35394 | 2 | Hinge, small door | |
| 23 | 19351 | 1 ft | Seal, generator box | |
| 24 | 10000023426 | 1 | Generator, Marathon - 362PSL36115 SAE 3 | |
| 25 | 60026 | 12 | Washer, M10 split lock | |
| 26 | 60055 | 12 | Screw, M10-150 x 35 standard hex, G10.9 | |
| 27 | 60151 | 8 | Washer, .375 flat | |
| 28 | 60179 | 8 | Screw, .375-16 x .750 standard hex, G8 | |
| 29 | 18772B | 1 | Panel, generator box - front | |
| 30 | 65500 | 1 | Switch, phase - 125A, 3 position | |
| 31 | 60038 | 8 | Nut, M5-.80 nylock, class 6 | |
| 32 | 23395B | 1 | Bracket, selector switch - 3 position | |
| 33 | 60036 | 4 | Nut, M6-1.00 serrated flange, G8.8 | |
| 34 | 19351 | 1 ft | Seal, U-channel | |
| 35 | 10000032549 | 1 | Panel, gen box side - V-Flex | |
| 36 | 65674 | 2 | Stop, 35MM DIN rail end | |
| 37 | 66864 | 1 | Assembly, transformer board - step down 2:1 | |
| 38 | 14231 | 2 | Nut, 10-32 hex, G2 | |
| 39 | 67129 | 1 | Rail, DIN 35MM x 8.00 | |

External Fuel Option (if equipped):

| | | | |
|---|-------------|---|---|
| A | 60850 | 4 | Screw, 10-24 x .750 pan Phillips, G2 |
| B | 60237 | 8 | Washer, #10 flat .495/.036 |
| C | 60457 | 4 | Nut, 10-24 nylock, G2 |
| D | 60520 | 2 | Nut, .625-11 hex, G8 |
| E | 60194 | 2 | Washer, M16 split lock |
| F | 60521 | 2 | Washer, .625 flat 1.743/.108 |
| G | 10000036076 | 1 | Bracket, fuel pump |
| H | 61078 | 2 | Screw, .625-11 x 2.00 flanged hex, G8 |
| J | 10000034664 | 1 | Pump, fuel lift, 8GPM 12V |
| K | 27673 | 2 | Fitting, 90° .750MNPT X .750 barb - brass |

SKID ASSEMBLY



02518

SKID ASSEMBLY

| Item | Part No. | Qty | Description | Notes |
|------|-----------------|-----|--|-------|
| 1 | 60502 | 2 | Fitting, straight .500MNPT x .625 barb - brass | |
| 2 | Contact Factory | 1 | Tank, DEF - Deere | |
| 3 | A0001275124 | 1 | Valve, STRT .875-14UNFX.375 barb SS | |
| 4 | 63250 | 3 | Clamp, hose - spring type - CTB-16ST | |
| 5 | A0001302912 | 1 | Hose, DEF drain | |
| 6 | A0001299913 | 1 | Fitting, straight-.500MNPTX.375 barb poly | |
| 7 | 10000025349 | 1 | Fitting, bulkhead tank 1/2FNPT PP | |
| 8 | A0001235611 | 1 | Fitting, 90°.500MNPTX.375 barb poly | |
| 9 | A0001302940 | 1 | Hose, DEF drain | |
| 10 | 10000019134 | 1 | Adapter, DEF tank | |
| 11 | 60316 | 2 | Clamp, hose SAE 032 (1.56-2.50) | |
| 12 | 10000016404 | 1 | Hose, DEF fill 2.00 ID | |
| 13 | 10000015994 | 2 | Strap, DEF tank | |
| 14 | 60704 | 8 | Washer, .250 split lock - SS | |
| 15 | 61195 | 8 | Screw, .250-20 x .750 standard hex - SS | |
| 16 | 60696 | 8 | Washer, .250 flat - SS | |
| 17 | 60018 | 8 | Screw, M10-1.50 x 20 serrated flange hex | |
| 18 | 18083 | 4 | Isolator, 570/380 # - rubber | |
| 19 | 60276 | 4 | Washer, .500 split lock | |
| 20 | 60309 | 4 | Washer, .500 flat 1.060/.090 | |
| 21 | 61101 | 4 | Screw, .500-13 x 1.50 standard hex, G8 | |
| 22 | 10000017775 | 2 | Spacer, generator | |
| 23 | 10000014817 | 1 | Weldment, skid 75/100DF4 | |
| 24 | 18085 | 4 | Washer, .510 snub | |
| 25 | 26930 | 4 | Weldment, anti-turn bolt .500 x 5.50 | |
| 26 | 60787 | 8 | Nut, .250-20 nylock - SS | |

Containment Pan (if equipped):

| | | | |
|----|-------------|----|---|
| A | 60452 | 10 | Washer, .313 flat 1.125/1.0 bonded rubber, SS |
| B | 60507 | 10 | Screw, .312-18 x 1.0 standard hex, SS |
| C | 60505 | 10 | Nut, .312-18 U-clip - long type |
| D | 10000030622 | 1 | Pan, containment |
| -- | 10000030585 | 1 | Pan, containment - DEF |

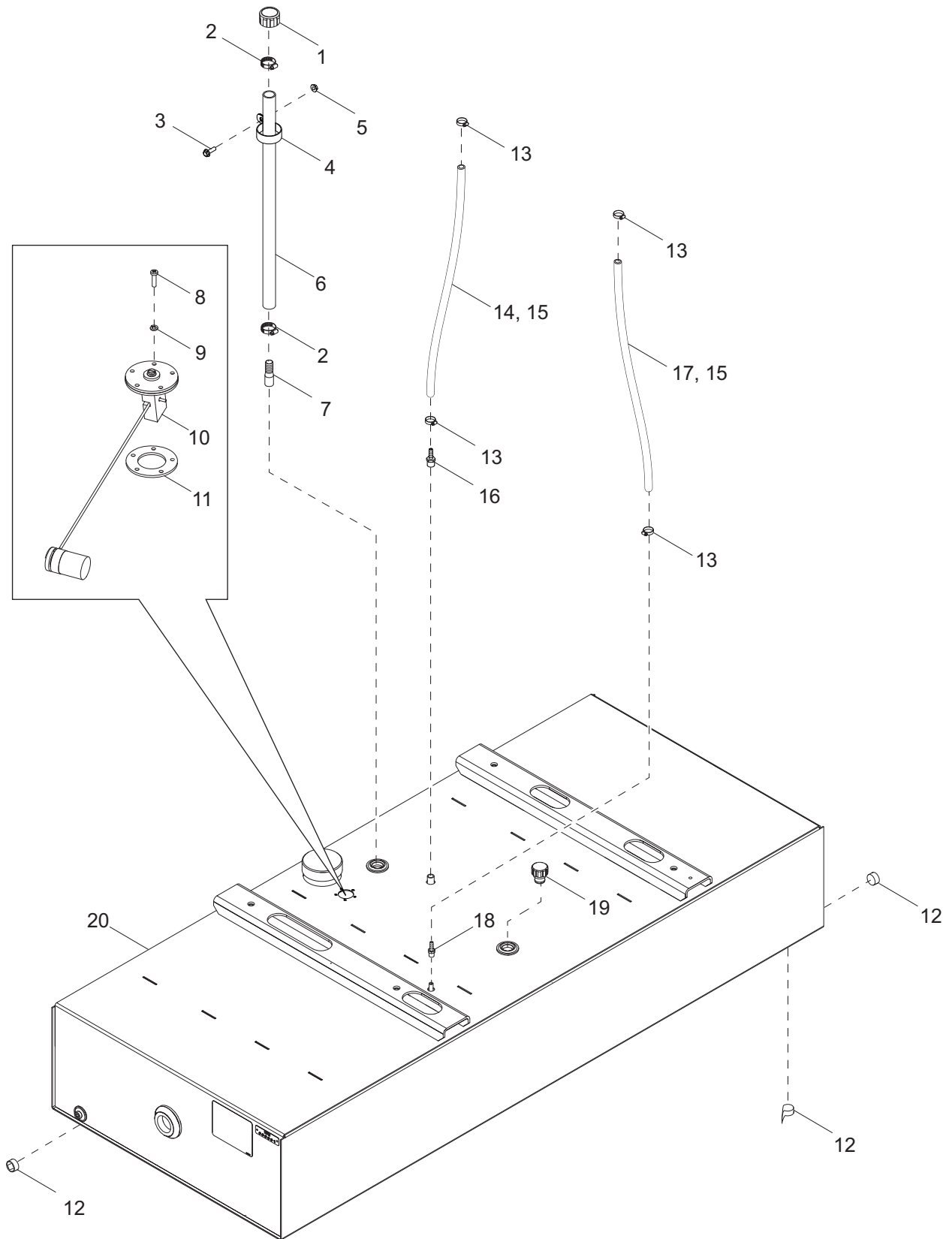
Leak Detection (if equipped):

| | | | |
|---|-------------|---|--|
| E | 10000018699 | 1 | Assembly, float switch |
| F | 61147 | 2 | Nut, .312 U-clip, G5 - long type |
| G | 10000024573 | 1 | Bracket, leak detect |
| H | 60119 | 2 | Washer, .312 flat .875/.070 |
| J | 60271 | 2 | Washer, .312 split lock |
| K | 60028 | 2 | Screw, .312-18 x 1.00 standard hex, G5 |
| L | 10000030623 | 2 | Assembly, leak detect |

External Fuel Option - Replaces Item 9 (if equipped):

| | | | |
|---|-------------|---|--|
| M | 10000036092 | 2 | Hose, DEF fill - external fill |
| N | 60316 | 2 | Clamp, hose SAE 032 (1.56-2.50) |
| P | 10000034686 | 1 | Fitting, straight .375NPT x .375 barb - SS |
| Q | 10000034623 | 1 | Tube, tap sleeve |

FUEL TANK ASSEMBLY

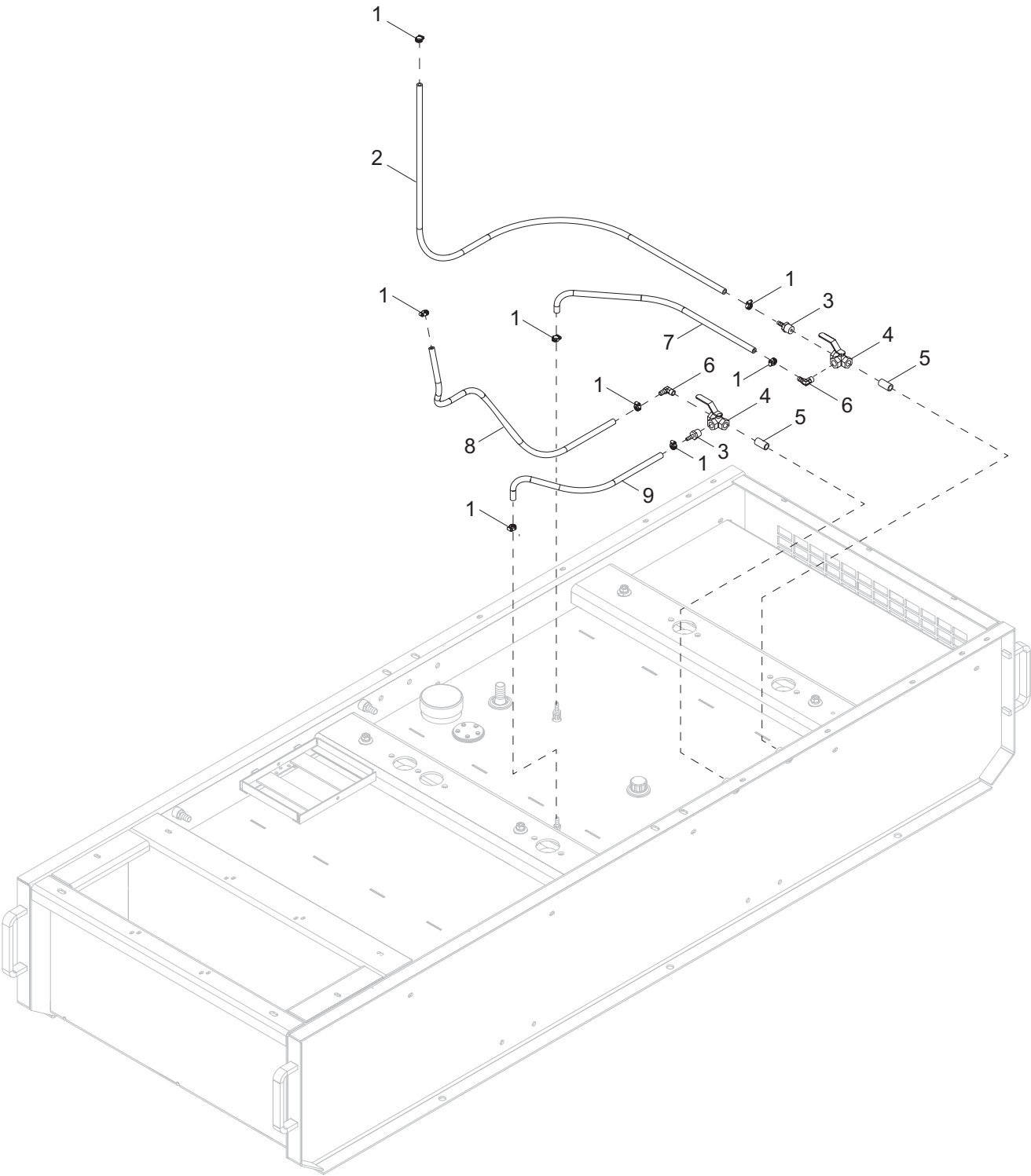


02519

FUEL TANK ASSEMBLY

| Item | Part No. | Qty | Description | Notes |
|------|-------------|---------|--|-------|
| 1 | 26379 | 1 | Vent, plastic fuel 1.00 ID | |
| 2 | 63254 | 2 | Clamp, hose - size 35, spring type | |
| 3 | 61091 | 1 | Screw, .312-18 x 1.0 serrated flange hex, G5 | |
| 4 | 60716 | 1 | Clamp, tubing - 1.50 lt duty | |
| 5 | 60095 | 1 | Nut, .312-18 serrated flange | |
| 6 | 50019 | 3.46 ft | Hose, 1.0 in. SAE 20R3 | |
| 7 | 21451 | 1 | Fitting, strt - 1.0MNPTx1.0 barb | |
| 8 | 60062 | 5 | Screw, 10-32 x .750 pan PhillipsPhillips, G2 | |
| 9 | 60252 | 5 | Washer, #10 split lock | |
| 10 | 20571 | 1 | Sender, fuel - 10-15 in. tank | |
| 11 | 22323 | 1 | Gasket, fuel sending unit | |
| 12 | 18394 | 3 | Fitting, plug - .500NPT x internal hex | |
| 13 | 63250 | 4 | Clamp, hose - size 16, spring type | |
| 14 | 50018 | 2.67 ft | Hose, fuel - .312 ID, 50 psi, SAE 30R7 | |
| 15 | 50023 | 6 ft | Loom, wire - .625 | |
| 16 | 19180 | 1 | Fitting, strt - .375MNPT x .312 barb | |
| 17 | 50018 | 2.92 ft | Hose, fuel - .312 ID, 50 psi, SAE 30R7 | |
| 18 | 15142 | 1 | Fitting, straight .250NPT x .312 barb | |
| 19 | 26379 | 1 | Vent, fuel 1.00 ID - plastic | |
| 20 | 10000016021 | 1 | Tank, fuel - 75/100 T4F 24 hour | |

FUEL TANK ASSEMBLY (OPTIONAL)

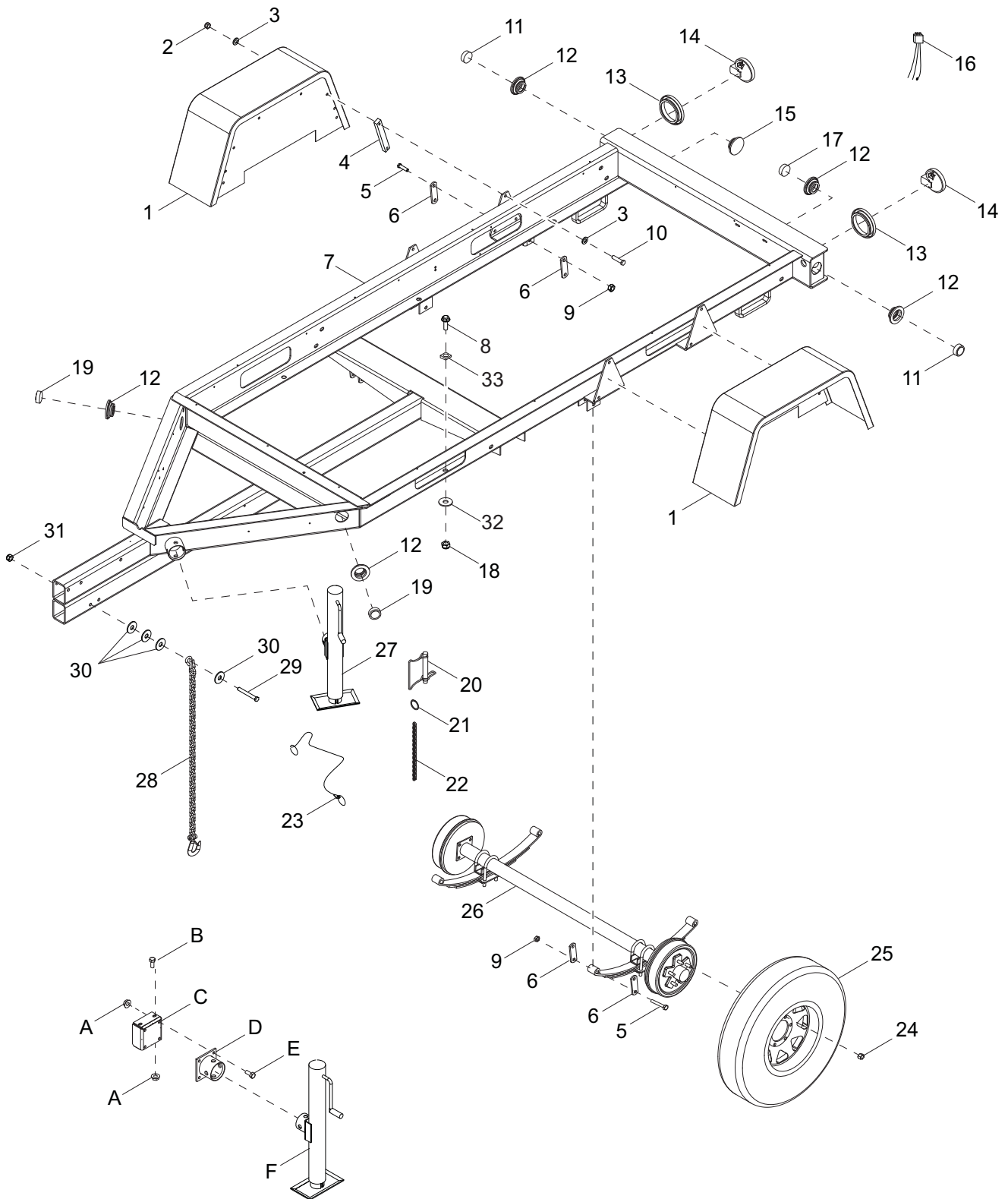


02520

FUEL TANK ASSEMBLY (OPTIONAL)

| Item | Part No. | Qty | Description | Notes |
|------|----------|---------|--|-------|
| 1 | 14216 | 8 | Clamp, hose SAE 004 (.21 - .62) | |
| 2 | 50018 | 5.0 ft | Hose, fuel .312 ID 50 PSI SAE 30R7 | |
| 3 | 60999 | 2 | Fitting, straight .500MNPT x .312 barb - brass | |
| 4 | 60996 | 2 | Valve, ball .500FNPT - 3 port | |
| 5 | 40932 | 2 | Fitting, nipple .500NPT x 2.00 - brass | |
| 6 | 61159 | 2 | Fitting, 90° .500MNPT x .375 barb - brass | |
| 7 | 50018 | 2.0 ft | Hose, fuel .312 ID 50 PSI SAE 30R7 | |
| 8 | 50018 | 3.0 ft | Hose, fuel .312 ID 50 PSI SAE 30R7 | |
| 9 | 50018 | 1.62 ft | Hose, fuel .312 ID 50 PSI SAE 30R7 | |

TRAILER ASSEMBLY - SINGLE AXLE



02521

TRAILER ASSEMBLY - SINGLE AXLE

| Item | Part No. | Qty | Description | Notes |
|------|-------------|--------|---|----------------------|
| 1 | A0000295704 | 2 | Fender, single wheel | |
| 2 | 60303 | 8 | Nut, .312-18 nylock, G2 | |
| 3 | 60340 | 16 | Washer, .312 flat .875/.040, SS | |
| 4 | 23500B | 4 | Bracket, fender extension | |
| 5 | 60503 | 6 | Screw, shackle - .562-18 x 3.0 standard hex, G5 | |
| 6 | 19637 | 4 | Plate, shackle bracket - 3.125 in | |
| 7 | 30415B | 1 | Weldment, trailer - single axle | |
| 8 | 60994 | 6 | Screw, .625-11 x 1.50 flange hex, G8 | |
| 9 | 60504 | 6 | Nut, .562-18 lock, G5 | |
| 10 | 60785 | 8 | Screw, .312-18 x 2.0 standard hex, SS | |
| 11 | 66703 | 2 | Light, clearance, 2.0 in., no grommet - red LED | |
| 12 | 66394 | 5 | Grommet, sealed beam light, rubber 2.0 in | |
| 13 | 10221 | 2 | Grommet, rear light, rubber 4.5 in | |
| 14 | 66701 | 2 | Light, rear tail/turn, rnd, no grommet LED | |
| 15 | 62161 | 1 | Plug, hole - 2.25 diameter | |
| 16 | 10222 | 2 | Plug, rear light, 3-wire w/grommet | For turn/tail lights |
| 17 | 66704 | 1 | Light, utility, 2.0 in., no grommet - clear LED | |
| 18 | 60240 | 6 | Nut, .625-11 nylock, G5 | |
| 19 | 66702 | 2 | Light, clearance, 2.0 in., no grommet - amber LED | |
| 20 | 23256 | 1 | Pin, jack - 2000 lb, tube mounted | |
| 21 | 60706 | 1 | Ring, split - 1.00, SS | |
| 22 | 60707 | .67 ft | Chain, sash - No. 8, SS | |
| 23 | 12647 | 1 | Cable, tether - jack pin | |
| 24 | 60096 | 12 | Nut, .500-20 lug, G5 | |
| 25 | 30389B | 2 | Wheel, ST225/75R15 | |
| 26 | 30421 | 1 | Assembly, axle | |
| 27 | 13050 | 1 | Jack, side wind - 2000 lb, tube mounted | |
| 28 | 23367 | 2 | Chain, safety - 7,800 lbs rated | |
| 29 | 60376 | 2 | Screw, .500-13 x 4.50 standard hex, G5 | |
| 30 | 60416 | 8 | Washer, .500 flat 1.375/.090 | |
| 31 | 62221 | 2 | Nut, .500-13 nylock, G5 | |
| 32 | 60651 | 6 | Washer, square bevel structural .625 | |
| 33 | 60193 | 6 | Washer, M16 flat | |
| -- | 66770 | 1 | Harness, trailer | |

Stabilizer Kit (if equipped):

| | | | |
|---|-------------|----|---|
| A | 60145 | 12 | Nut, .375-16 serrated flange lock, G5 |
| B | 60205 | 4 | Screw, .375-16 x 1.00 standard hex, G5 |
| C | 10000023491 | 2 | Bracket, stabilizer |
| D | 11965Z | 2 | Weldment, jack adapter |
| E | 60179 | 8 | Screw, .375-16 x .750 standard hex, G8 |
| F | 13050 | 2 | Jack, side wind - 2000 lb, tube mounted |

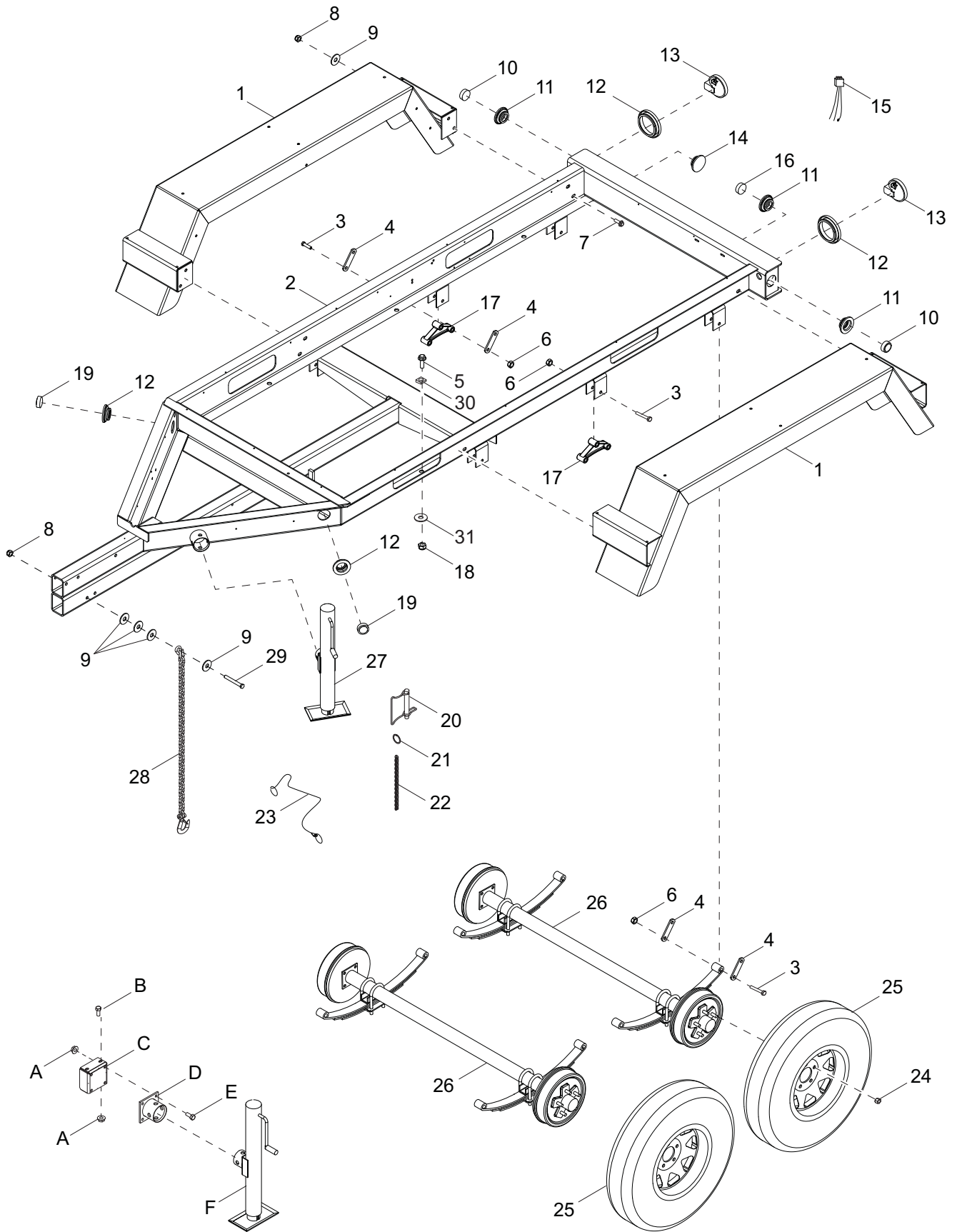
Electric Brake (if equipped):

| | | | |
|----|-------|---|---------------------------------|
| -- | 65746 | 1 | Harness, electric brake |
| -- | 61010 | 1 | Clamp, tubing - .375 heavy duty |

Adapters (if equipped):

| | | | |
|----|-------|---|--|
| -- | 65465 | 1 | Adapter, trailer wiring - flat 4 to round 7 blade |
| -- | 65593 | 1 | Adapter, trailer wiring - 4 pin and 2 pin to 6 pin |
| -- | 65583 | 1 | Adapter, trailer wiring - round 6 pin to round 7 spade |

TRAILER ASSEMBLY - TANDEM AXLE



02522

TRAILER ASSEMBLY - TANDEM AXLE

| Item | Part No. | Qty | Description | Notes |
|------|----------|--------|---|----------------------|
| 1 | 23141B | 2 | Fender, tandem | |
| 2 | 30456B | 1 | Weldment, trailer frame | |
| 3 | 60503 | 14 | Screw, shackle - .562-18 x 3.0 standard hex, G5 | |
| 4 | 19637 | 8 | Plate, shackle bracket - 3.125 in | |
| 5 | N/A | 6 | Screw, .625-11 x 1.50 flange hex, G8 | |
| 6 | 60504 | 14 | Nut, .562-18 lock, G5 | |
| 7 | 61103 | 8 | Screw, .500-13 x 1.75 serrated flange hex | |
| 8 | 62221 | 10 | Nut, .500-13 nylock, G5 | |
| 9 | 60416 | 24 | Washer, .500 flat 1.375/.090 | |
| 10 | 66703 | 2 | Light, clearance, 2.0 in., no grommet - red LED | |
| 11 | 66394 | 5 | Grommet, sealed beam light, rubber 2.0 in | |
| 12 | 10221 | 2 | Grommet, rear light, rubber 4.5 in | |
| 13 | 66701 | 2 | Light, rear tail/turn, round, no grommet LED | |
| 14 | 62161 | 1 | Plug, hole - 2.25 diameter | |
| 15 | 10222 | 2 | Plug, rear light, 3-wire w/ grommet | For turn/tail lights |
| 16 | 66704 | 1 | Light, utility, 2.0 in., no grommet - clear LED | |
| 17 | 40545 | 2 | Equalizer, tandem axle - 5.625 centers | |
| 18 | 60240 | 6 | Nut, .625-11 nylock, G5 | |
| 19 | 66702 | 2 | Light, clearance, 2.0 in., no grommet - amber LED | |
| 20 | 23256 | 1 | Pin, jack - 2000 lb, tube mounted | |
| 21 | 60706 | 1 | Ring, split - 1.00, SS | |
| 22 | 60707 | .67 ft | Chain, sash - No. 8, SS | |
| 23 | 12647 | 1 | Cable, tether - jack pin | |
| 24 | 60096 | 20 | Nut, .500-20 lug, G5 | |
| 25 | 15540 | 4 | Wheel, ST205/75R15, 1598 lb | |
| 26 | 30421 | 2 | Assembly, axle | |
| 27 | 13050 | 1 | Jack, side wind - 2000 lb, tube mounted | |
| 28 | 23367 | 2 | Chain, safety - 7,800 lbs rated | |
| 29 | 60376 | 2 | Screw, .500-13 x 4.50 standard hex, G5 | |
| 30 | 60651 | 6 | Washer, square bevel structural .625 | |
| 31 | 60193 | 6 | Washer, M16 flat | |
| -- | 66770 | 1 | Harness, trailer | |

Stabilizer Kit (if equipped):

| | | | |
|---|-------------|----|---|
| A | 60145 | 12 | Nut, .375-16 serrated flange lock, G5 |
| B | 60205 | 4 | Screw, .375-16 x 1.00 standard hex, G5 |
| C | 10000023491 | 2 | Bracket, stabilizer |
| D | 11965Z | 2 | Weldment, jack adapter |
| E | 60179 | 8 | Screw, .375-16 x .750 standard hex, G8 |
| F | 13050 | 2 | Jack, side wind - 2000 lb, tube mounted |

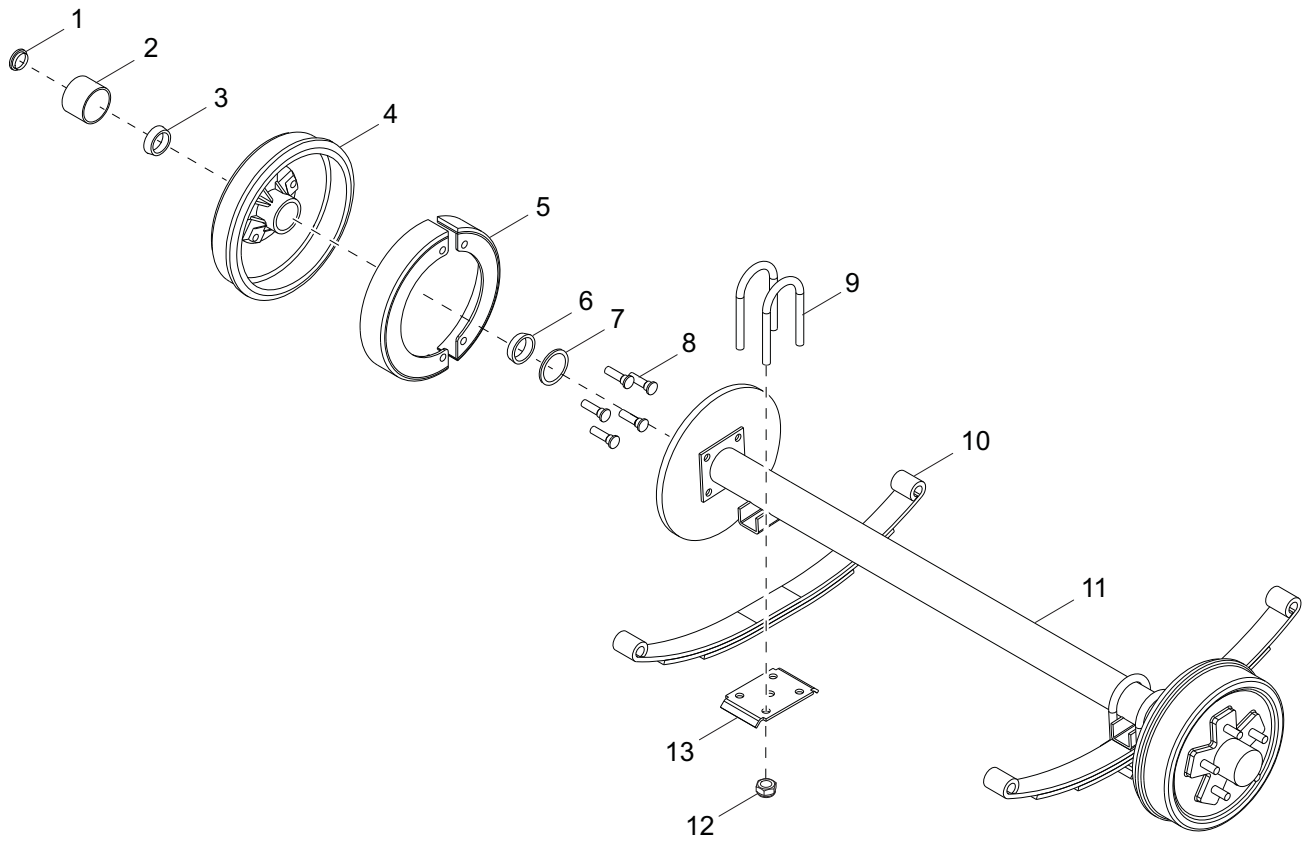
Electric Brake (if equipped):

| | | | |
|----|-------|---|---------------------------------|
| -- | 65746 | 1 | Harness, electric brake |
| -- | 61010 | 1 | Clamp, tubing - .375 heavy duty |

Adapters (if equipped):

| | | | |
|----|-------|---|--|
| -- | 65465 | 1 | Adapter, trailer wiring - flat 4 to round 7 blade |
| -- | 65593 | 1 | Adapter, trailer wiring - 4 pin and 2 pin to 6 pin |
| -- | 65583 | 1 | Adapter, trailer wiring - round 6 pin to round 7 spade |

AXLE ASSEMBLY



00042

AXLE ASSEMBLY

| Item | Part No. | Qty | Description | Notes |
|------|----------|-----|--------------------------------|-------|
| 1 | 11254 | 2 | Plug, grease cap - zerk | |
| 2 | 23170 | 2 | Cap, grease | |
| 3 | 26585 | 2 | Outer hub bearing | |
| 4 | 40958 | 2 | Hub/brake drum, 3500 lb | |
| 5 | 26571 | 1 | Surge brake assy, LH | |
| -- | 26572 | 1 | Surge brake assy, RH | |
| 6 | 26576 | 2 | Inner hub bearing | |
| 7 | 26575 | 2 | Inner grease seal - 2.125 in | |
| 8 | 60963 | 10 | Stud, wheel - .500-20, 5000 lb | |
| 9 | 40875 | 4 | U-bolt, axle | |
| 10 | 27137 | 2 | Spring, 6000 lb axle | |
| 11 | 30421 | 1 | Axle, 6000 lb surge | |
| 12 | 11203 | 8 | Nut, axle (U-bolt), 2200 lb | |
| 13 | 40874 | 2 | Tie plate, axle | |

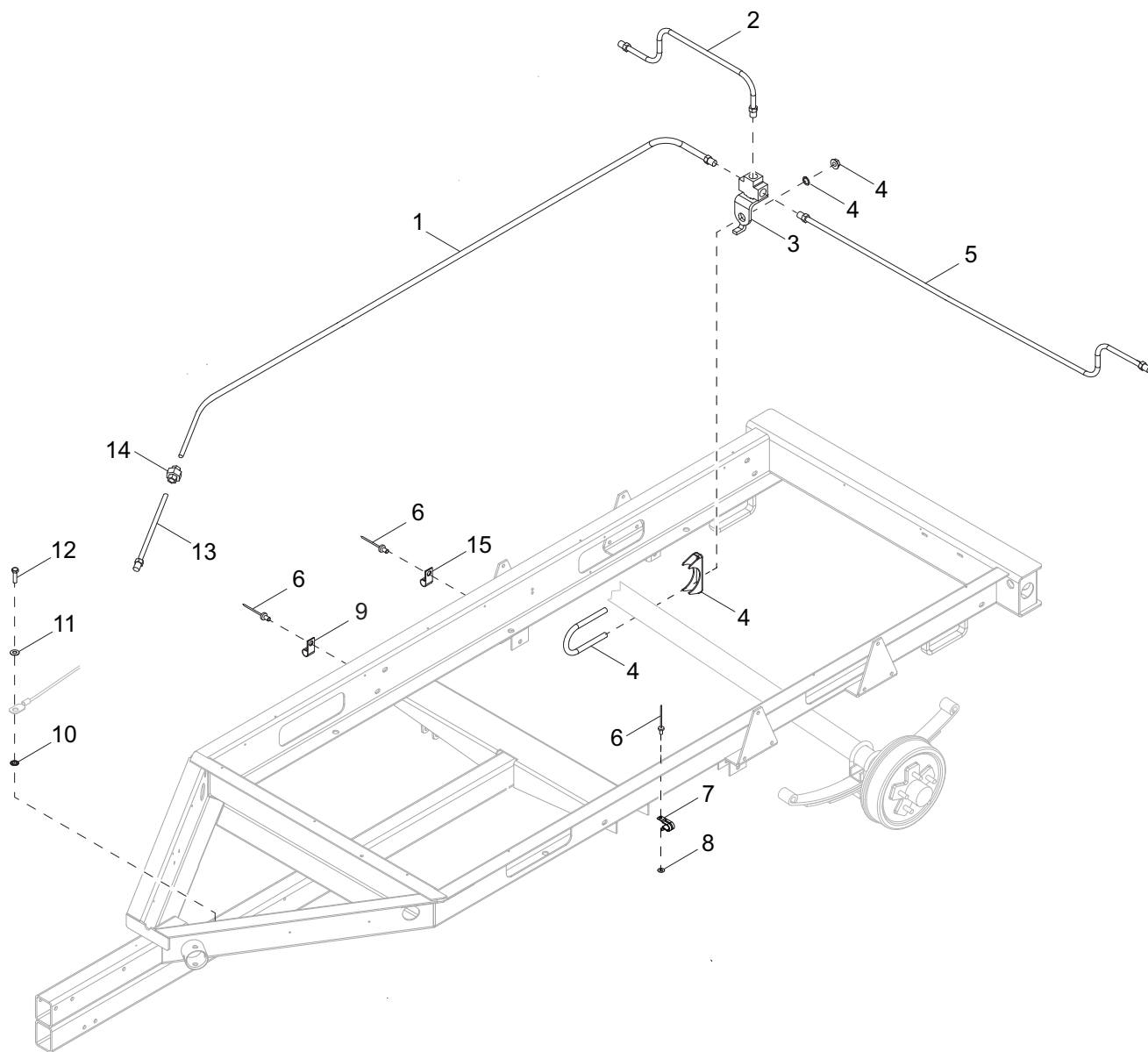
Tandem Axle (if equipped):

| | | | | |
|----|-------|---|------------------------|--|
| -- | 33061 | 1 | Axle, 3500 lb surge | |
| -- | 33063 | 1 | Axle, 6000 lb electric | |

Tandem Axle Electric Brake (if equipped):

| | | | | |
|----|-------|---|------------------------|--|
| -- | 33062 | 1 | Axle, 3500 lb electric | |
|----|-------|---|------------------------|--|

TRAILER BRAKE LINES - SINGLE AXLE

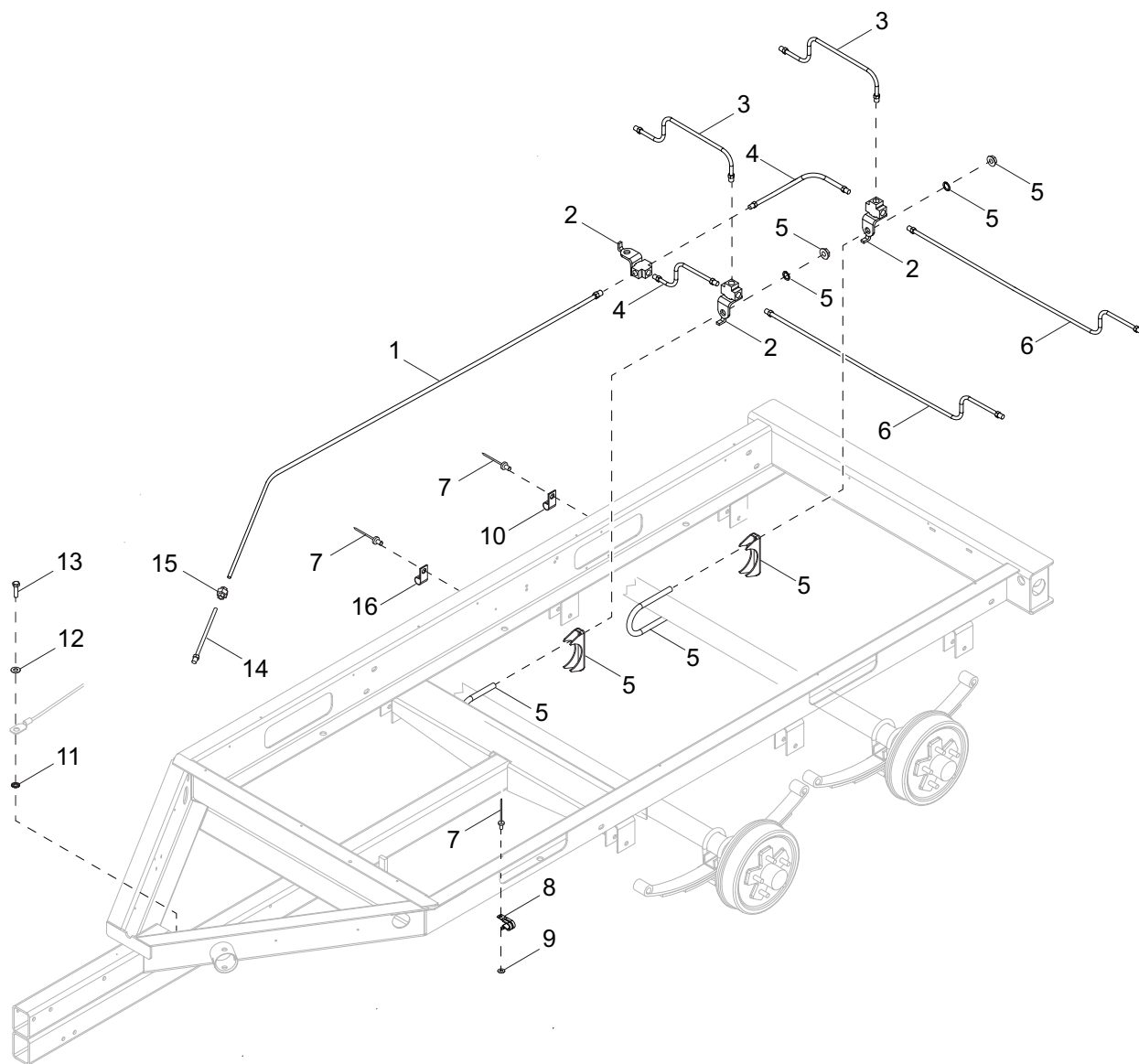


00923

TRAILER BRAKE LINES - SINGLE AXLE

| Item | Part No. | Qty | Description | Notes |
|------|----------|-----|---|-------|
| 1 | 23250 | 1 | Hose, brake - .188 x 94.0 male/male | |
| 2 | 40495 | 1 | Line, brake - .188 x 20.0 | |
| 3 | 19252 | 1 | Fitting, strt - .188 brake line T-w/bracket | |
| 4 | 18821 | 1 | Clamp, muffler - 3.0 | |
| 5 | 40493 | 1 | Line, brake - .188 x 40.0 | |
| 6 | 61155 | 17 | Rivet, .188 diameter x .438 to .750 grip | |
| 7 | 16143 | 11 | Clamp, tubing - .500 | |
| 8 | 60237 | 11 | Washer, #10 flat .495/.036 | |
| 9 | 15626 | 5 | Clamp, tubing - .375, light duty | |
| 10 | 60053 | 1 | Washer, .375 external star | |
| 11 | 60698 | 1 | Washer, .375 flat .875/.040, SS | |
| 12 | 60353 | 1 | Screw, .375-16 x 1.0 flange hex, G2, self tapping | |
| 13 | 40817 | 1 | Hose, brake - .188 x 33.0 male/male | |
| 14 | 22339 | 1 | Fitting, strt - .188 brake line coupler | |
| 15 | 61010 | 1 | Clamp, tubing - .375 heavy duty | |

TRAILER BRAKE LINES - TANDEM AXLE

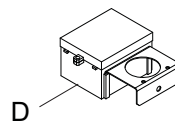
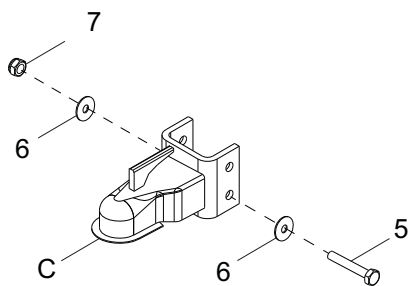
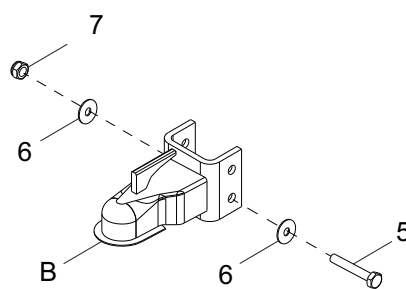
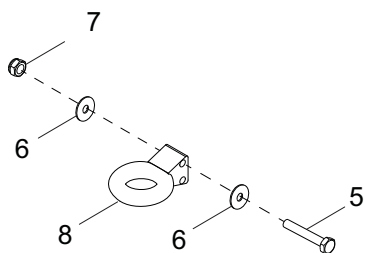
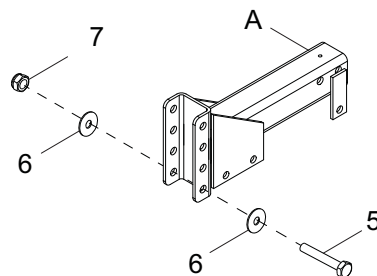
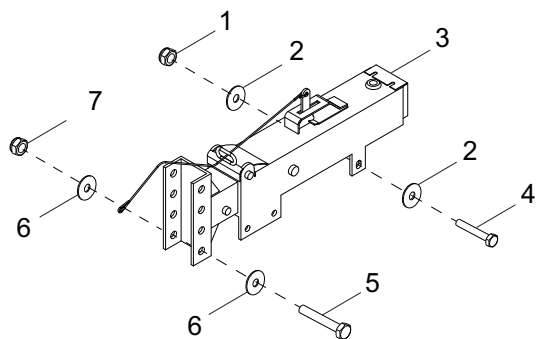


00924

TRAILER BRAKE LINES - TANDEM AXLE

| Item | Part No. | Qty | Description | Notes |
|------|----------|-----|---|-------|
| 1 | 23250 | 1 | Hose, brake - .188 x 94.0 male/male | |
| 2 | 19252 | 3 | Fitting, strt - .188 brake line T-w/bracket | |
| 3 | 40495 | 2 | Line, brake - .188 x 20.0 | |
| 4 | 40817 | 2 | Hose, brake - .188 x 33.0 male/male | |
| 5 | 18821 | 2 | Clamp, muffler - 3.0 heavy duty | |
| 6 | 40493 | 2 | Line, brake - .188 x 40.0 | |
| 7 | 61155 | 20 | Rivet, .188 diameter x .438 to .750 grip | |
| 8 | 16143 | 13 | Clamp, tubing - .500 | |
| 9 | 60237 | 16 | Washer, #10 flat .495/.036 | |
| 10 | 15626 | 7 | Clamp, tubing - .375 light duty | |
| 11 | 60053 | 1 | Washer, .375 external star | |
| 12 | 60698 | 1 | Washer, .375 flat .875/.040, SS | |
| 13 | 60353 | 1 | Screw, .375-16 x 1.0 flange hex, G2 | |
| 14 | 40818 | 1 | Hose, brake - .188 x 12.0 male/male | |
| 15 | 22339 | 1 | Fitting, strt - .188 brake line coupler | |
| 16 | 61010 | 1 | Clamp, tubing - .375 heavy duty, .375 bolt | |

TRAILER HITCH OPTIONS

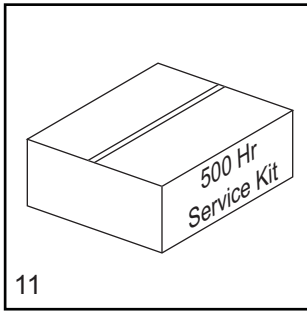
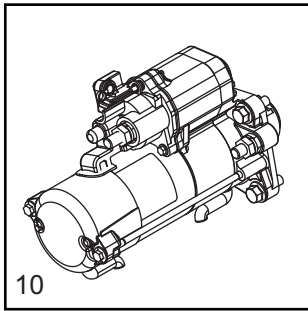
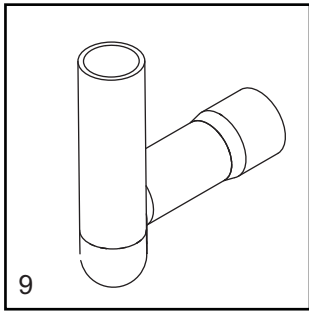
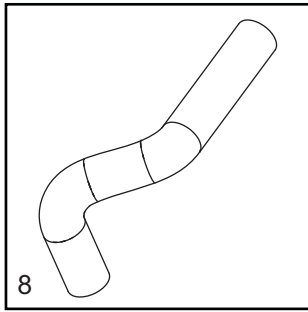
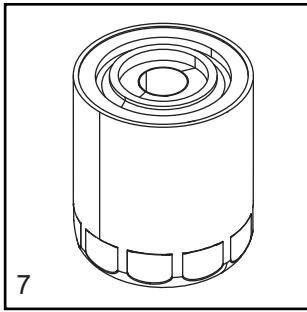
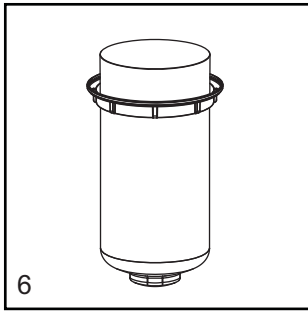
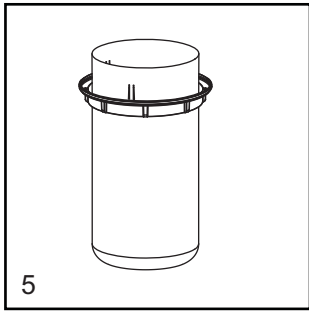
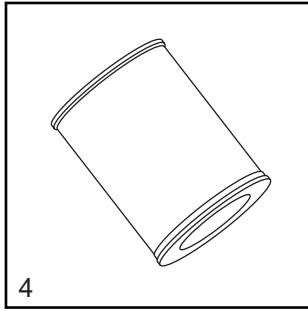
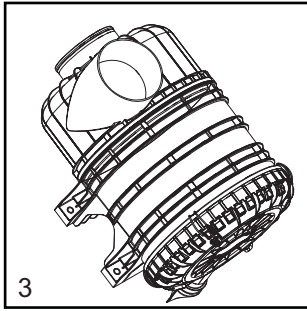
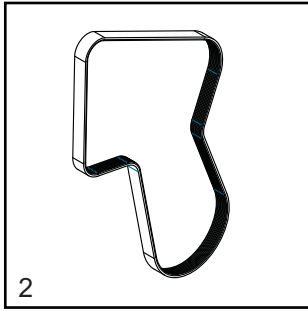
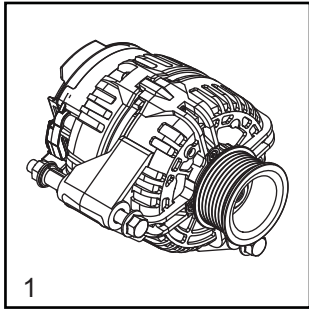


00045

TRAILER HITCH OPTIONS

| Item | Part No. | Qty | Description | Notes |
|---|----------|-----|--|-----------------|
| 1 | 62221 | 3 | Nut, .500-13 nylock, G5 | |
| 2 | 60309 | 6 | Washer, .500 flat 1.060/.090 | |
| 3 | 40529 | 1 | Actuator, hyd. surge brake - 7500 lb | Adjustable |
| 4 | 60376 | 3 | Screw, .500-13 x 4.50 standard hex, G5 | |
| 5 | 60239 | 2 | Screw, .625-11 x 5.0 standard hex, G5 | |
| 6 | 60193 | 4 | Washer, M16 flat | |
| 7 | 60240 | 2 | Nut, .625-11 nylock, G5 | |
| 8 | 19335B | 1 | Coupler, lunette ring - 3.00 ID | Adjustable |
| <i>Electric Brake (if equipped):</i> | | | | |
| A | 19379B | 1 | Weldment, hitch electric - 4 position. adj | Replaces item 3 |
| D | 19417 | 1 | Breakaway kit | |
| <i>Adjustable Couplers (if equipped):</i> | | | | |
| B | 19519 | 1 | Coupler, 2.31 in. ball | Replaces item 8 |
| C | 19518 | 1 | Coupler, 2.00 in. ball | Replaces item 8 |

RECOMMENDED SPARE PARTS - ENGINE AND SERVICE KITS



RECOMMENDED SPARE PARTS - ENGINE AND SERVICE KITS

ENGINE

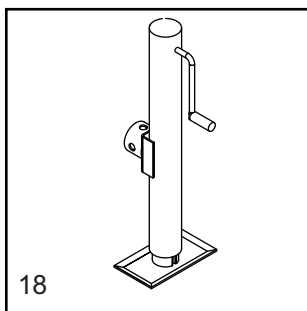
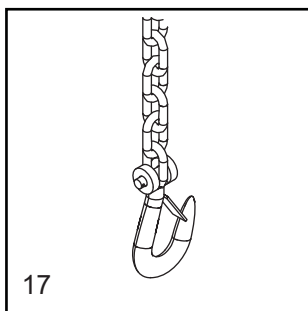
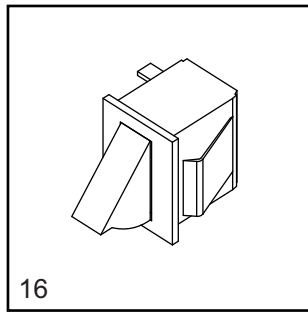
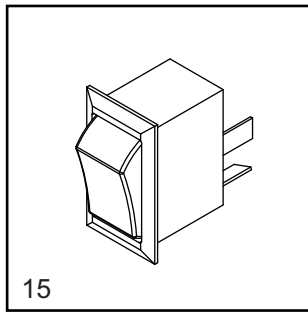
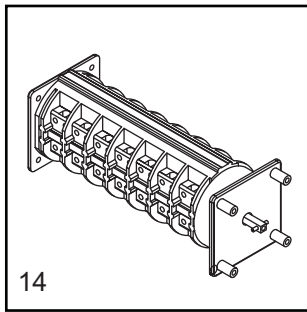
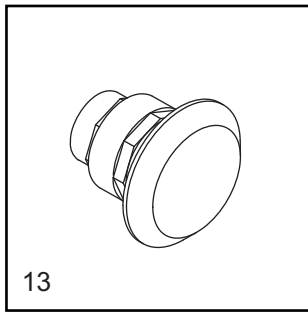
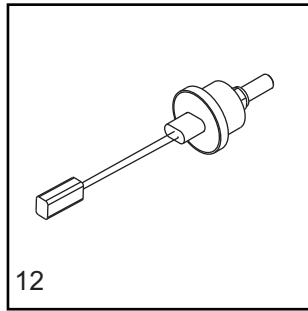
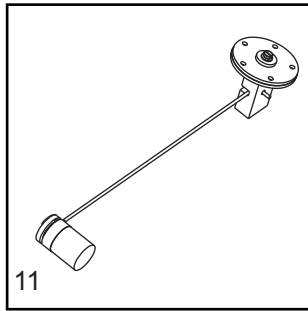
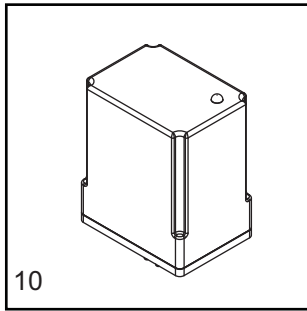
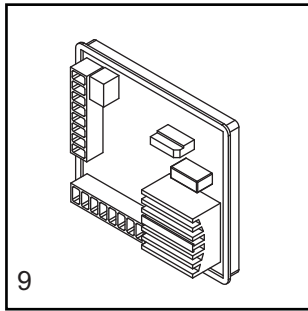
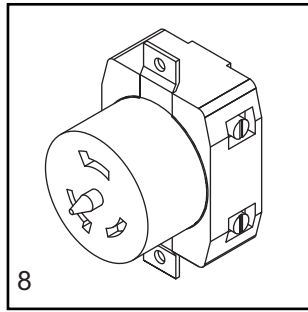
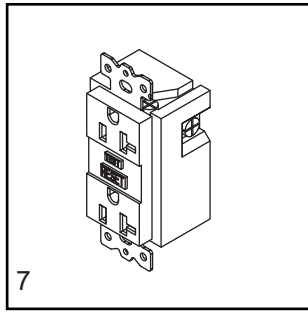
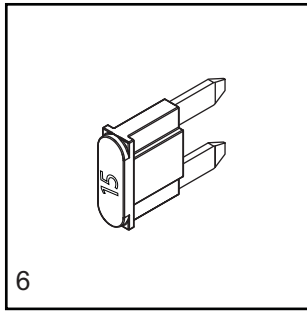
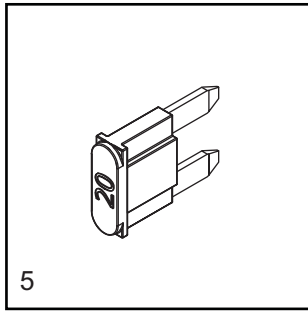
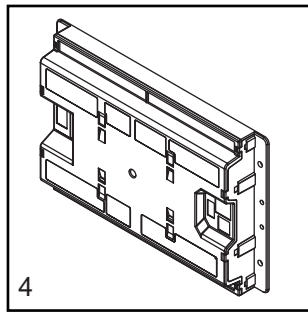
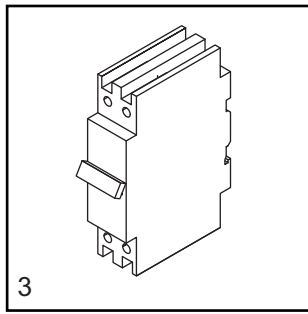
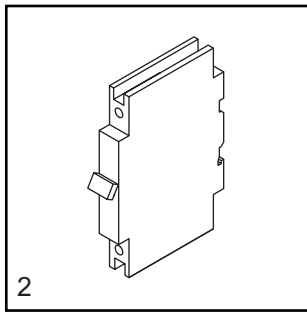
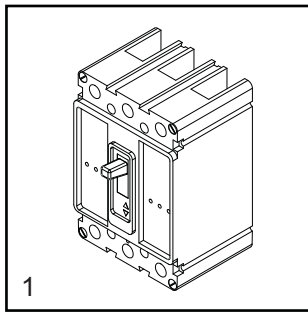
| | |
|---|-------------|
| 1. Alternator | 33026 |
| 2. Belt, fan | 33021 |
| Belt (SLA) | 10000033541 |
| 3. Filter, air - housing assembly | 26465 |
| 4. Filter, air - element | 26722 |
| 5. Filter, fuel - primary | 10000018039 |
| 6. Filter, fuel - secondary | 10000030989 |
| 7. Filter, oil | 22378 |
| 8. Hose, radiator - lower | 10000015665 |
| 9. Hose, radiator - upper | 10000015694 |
| 10. Starter | 33027 |

SERVICE KITS

| | |
|------------------------|-------------|
| 11. 500 hour kit | 10000031035 |
|------------------------|-------------|

Includes: Air Filter 26722, Primary Fuel Filter 10000018039, Secondary Fuel Filter 10000030989, Engine Belt 33021, OVR Filter 10000031050 and Oil Filter 22378

RECOMMENDED SPARE PARTS - ELECTRICAL AND TRAILER



02524

RECOMMENDED SPARE PARTS - ELECTRICAL AND TRAILER

ELECTRICAL

| | |
|--|----------|
| 1. Breaker, main | 65383 |
| 2. Breaker, 20A..... | 18091 |
| 3. Breaker 50A..... | 18092 |
| 4. Controller, programmed..... | Call |
| 5. Fuse, 20 A | 66445 |
| 6. Fuse, 15A | 65211-15 |
| 7. Receptacle, 120V/20A GFI | 14130 |
| 8. Receptacle, 240V/50A twist lock | 18089 |
| 9. Regulator, voltage..... | 68015 |
| 10. Relay (Optional)..... | 66455 |
| 11. Sender, fuel..... | 20571 |
| 12. Sensor, low coolant | 65592 |
| 13. Switch, E-stop assembly | 34989SRV |
| 14. Switch, phase - 3 position..... | 65500 |
| 15. Switch, rocker | 66996 |
| 16. Switch, trigger safety | 12632 |

TRAILER

| | |
|---------------------------|-------|
| 17. Chain, safety..... | 23367 |
| 18. Jack, side wind | 13050 |

Note: To order replacement controller, contact Generac Mobile Products with unit serial number

Part No. A0000393909 Rev. B 11/04/2021

©2021 Generac Mobile Products, LLC
All rights reserved.

Specifications are subject to change without notice.
No reproduction allowed in any form without prior written consent
from Generac Mobile Products, LLC.

GENERAC | **MOBILE**

Generac Mobile Products, LLC
215 Power Drive, Berlin, WI 54923
GeneracMobileProducts.com | 800-926-9768 | 920-361-4442