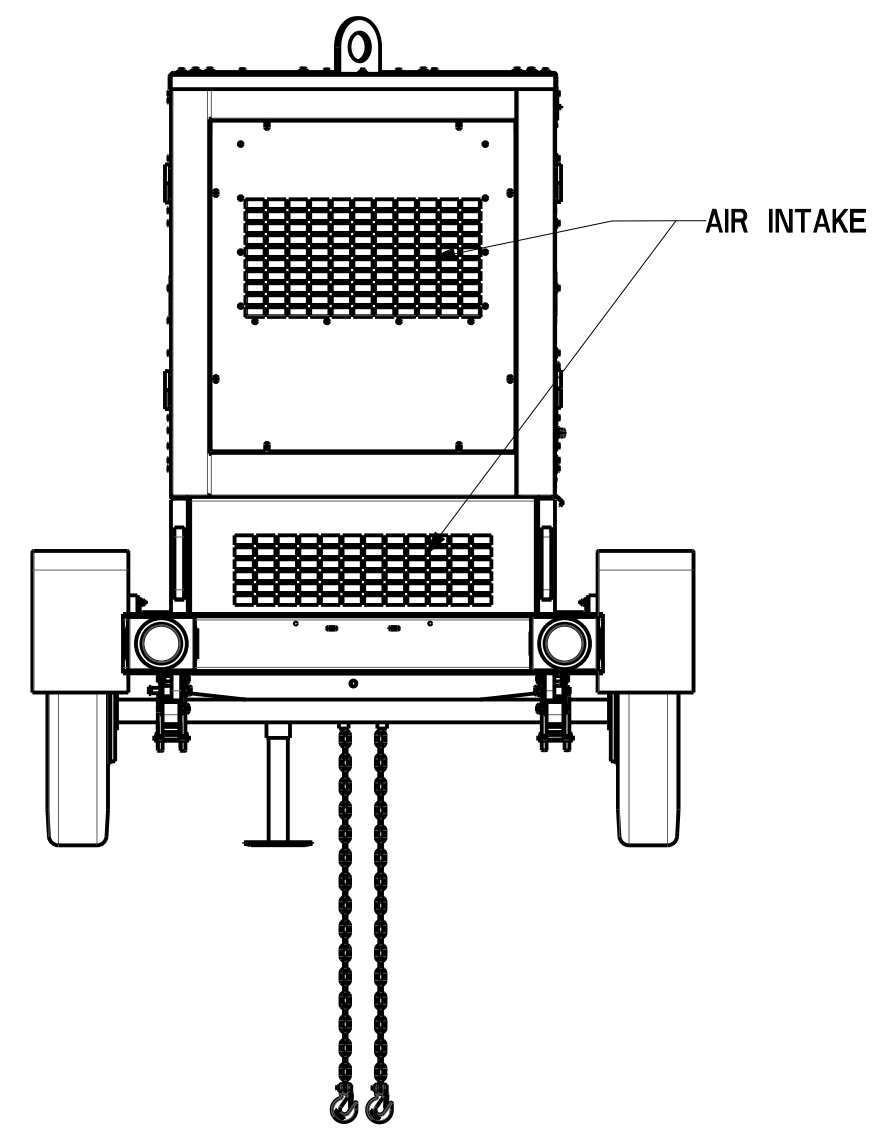
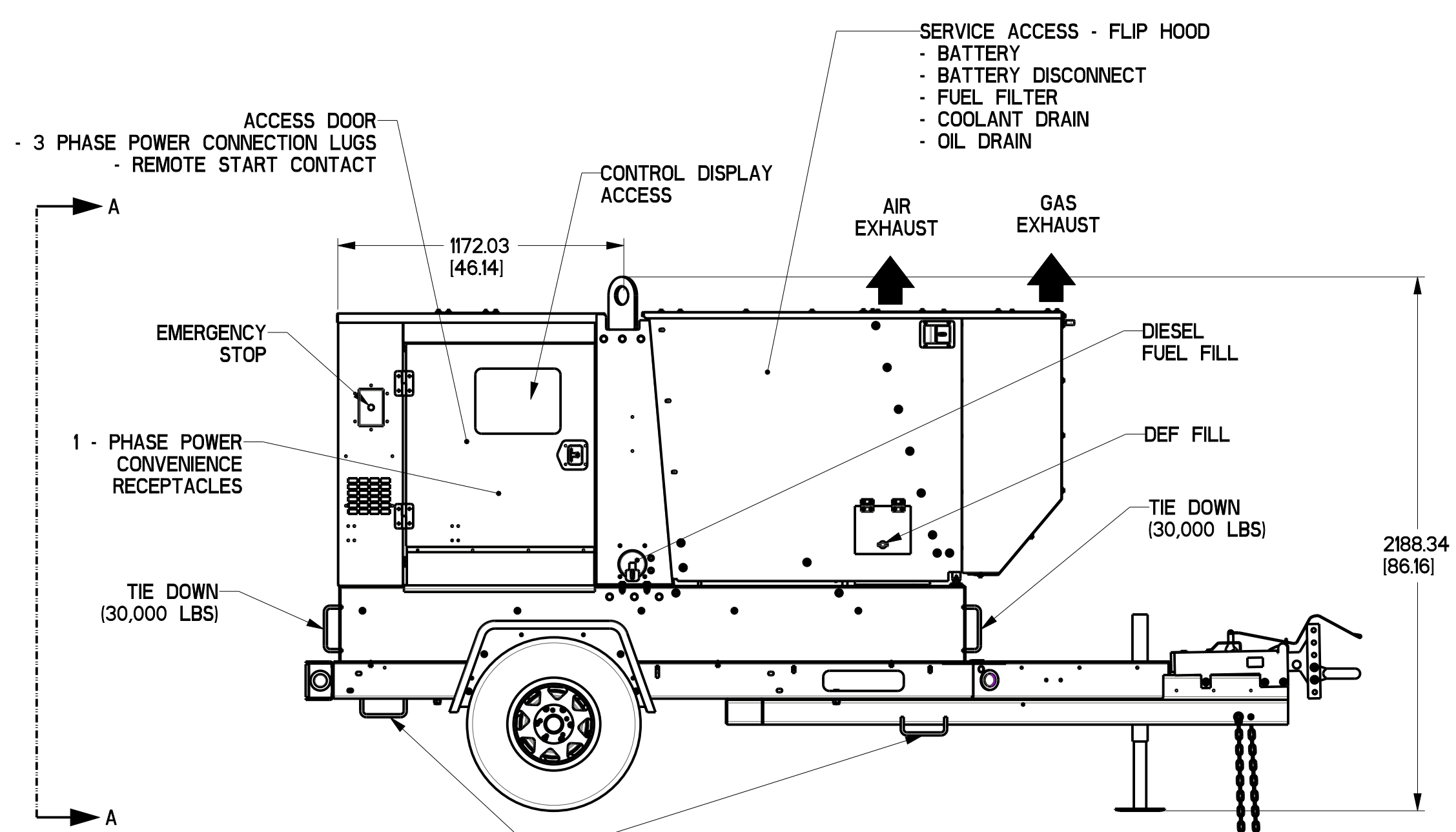
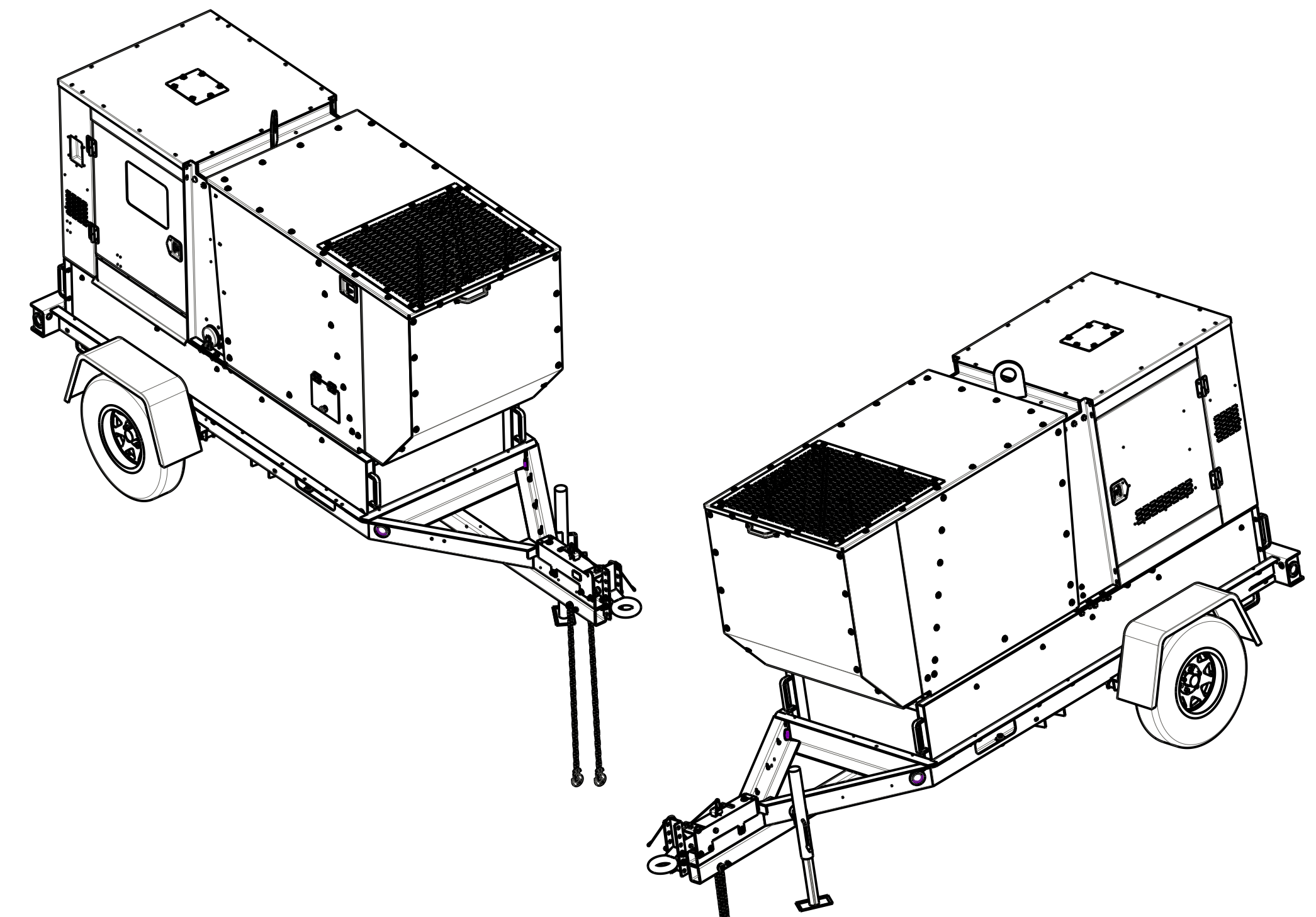


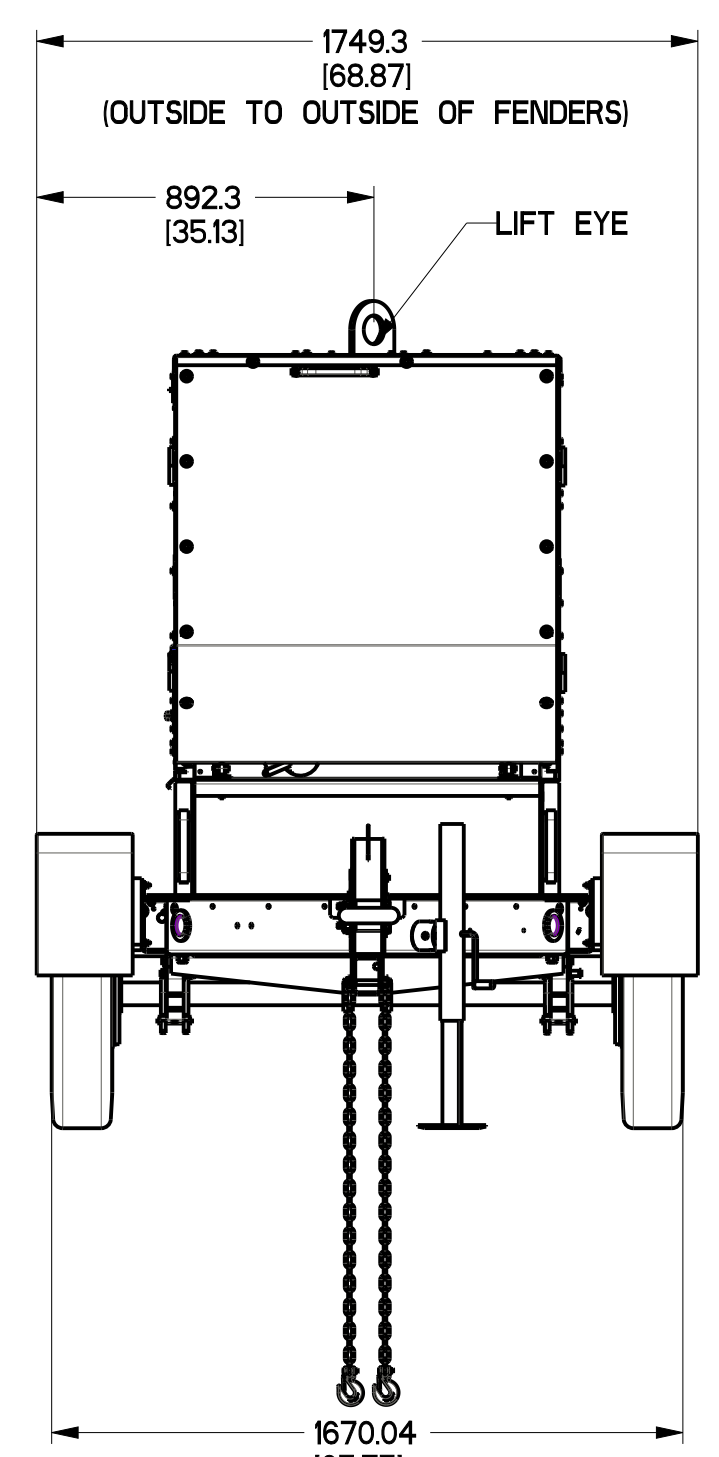
TOP VIEW



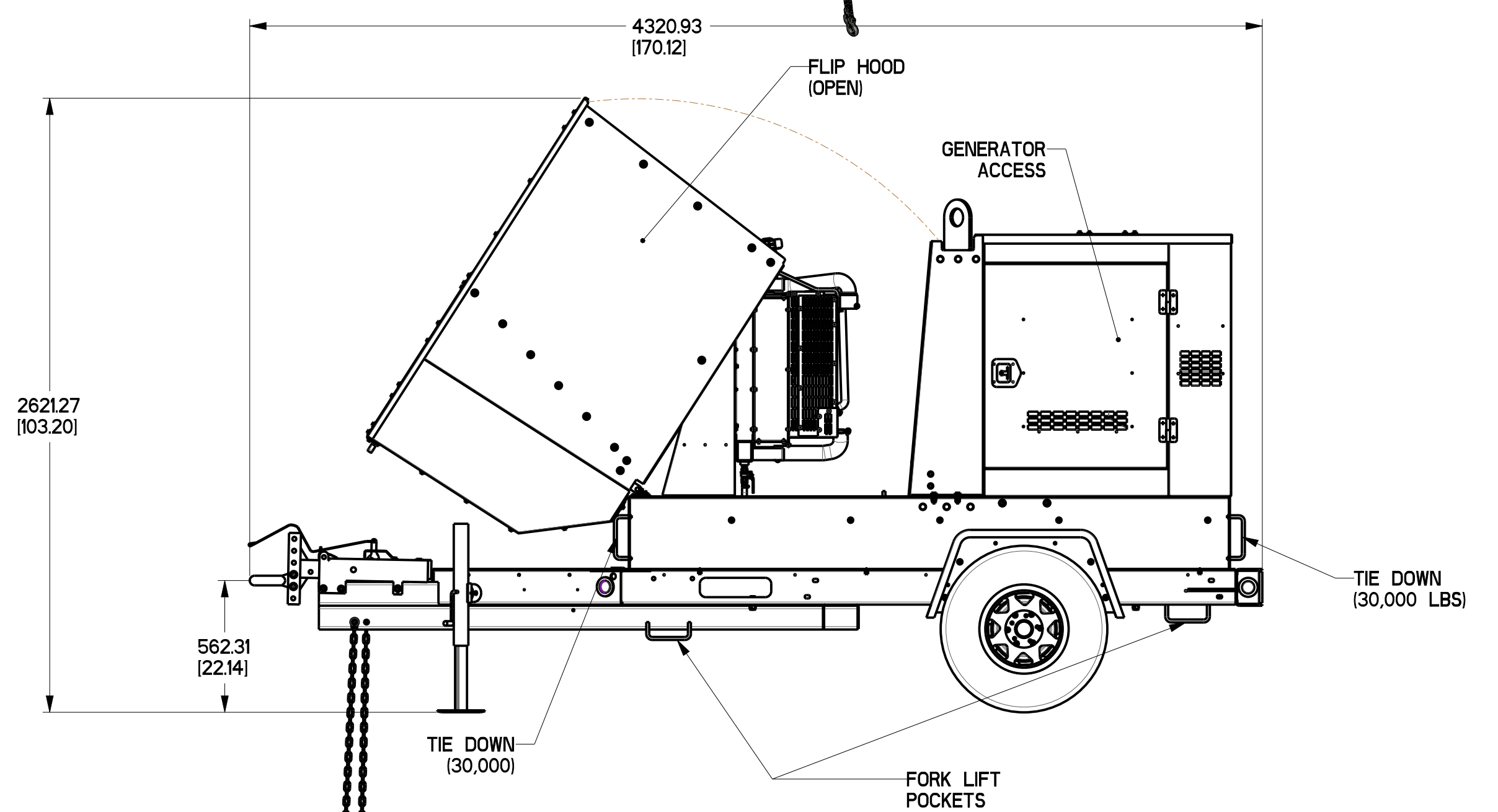
VIEW A-A (REAR VIEW)



RIGHT SIDE VIEW (CURB SIDE)



FRONT VIEW



LEFT SIDE VIEW (STREET SIDE)

MODEL (TRAILER)	FUEL TANK	WEIGHT	
		DRY	OPERATING
MDG75DF4	165 GAL	4,530 lb 2,055 kg	5,490 lb 2,490 kg
MDG100DF4	165 GAL	4,680 lb 2,122 kg	5,640 lb 2,555 kg

DRAWING CREATED FROM PRO/ENGINEER 3D FILE. ECO MODIFICATION TO BE APPLIED TO SOLID MODEL ONLY.

GENERAL TOLERANCES UNLESS NOTED
 ALL XX : ± .004"
 XXX : ± .004"
 XXXX : ± .004"
 XXXXX : ± .002"
 ALL DIMS PER APPLICABLE DIM AND FIT PER ASME Y14.5M-1994

THIRD ANGLE PROJECTION

GENERAC

TITLE: MDG75/100DF4 (TRAILERED)

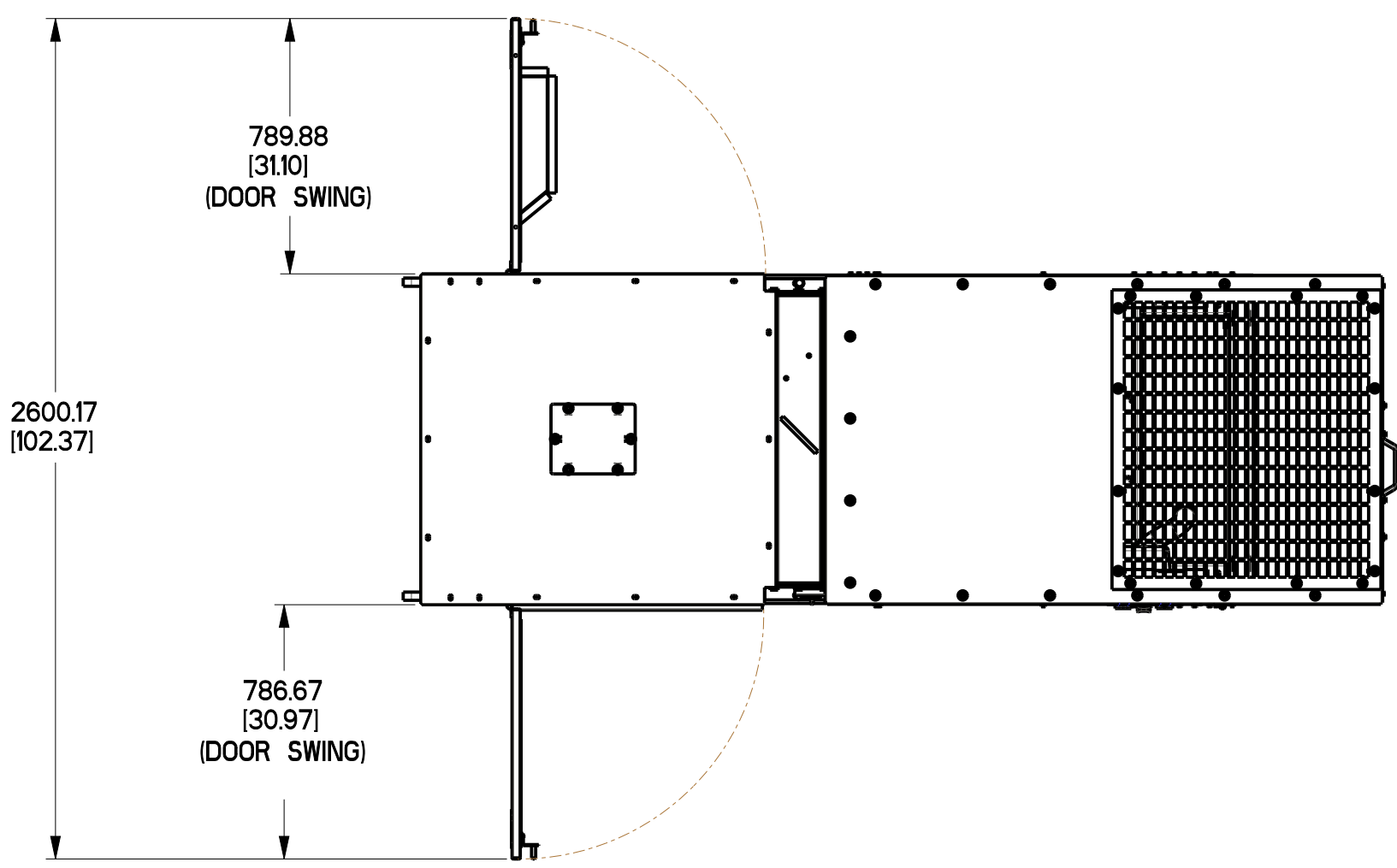
MATERIAL: N/A
 GENERAC MATL SPECIFICATION: N/A
 SURFACE FINISH: N/A

APPROVALS: [Signature] DATE: 12/16/21
 ALL APPROVALS ELECTRONICALLY STORED INSIDE WINDCHILL

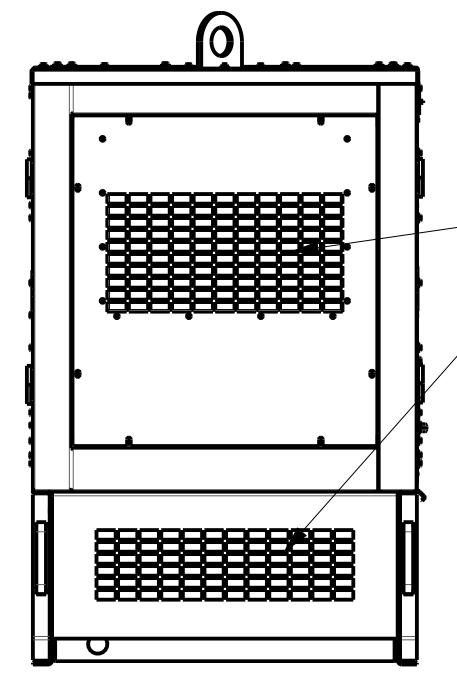
DRAWN BY: P1460-L14
 LIFECYCLE STATE: Non-NPD Released
 FIRST USE:

SIZE: D
 CAGE NO: N/A
 DWG NO: A0001501751
 SCALE: 0.050 WT-KG 0.00

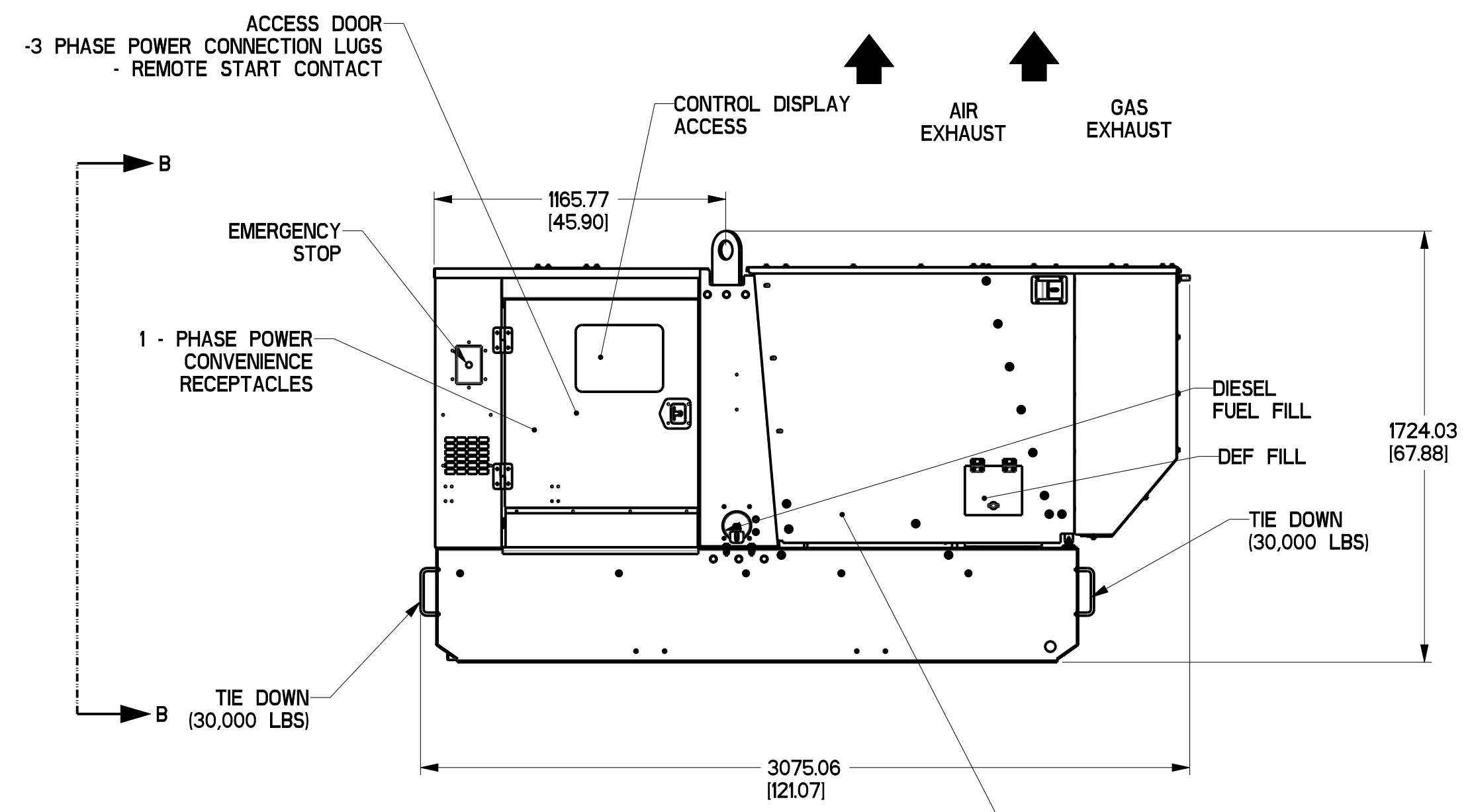
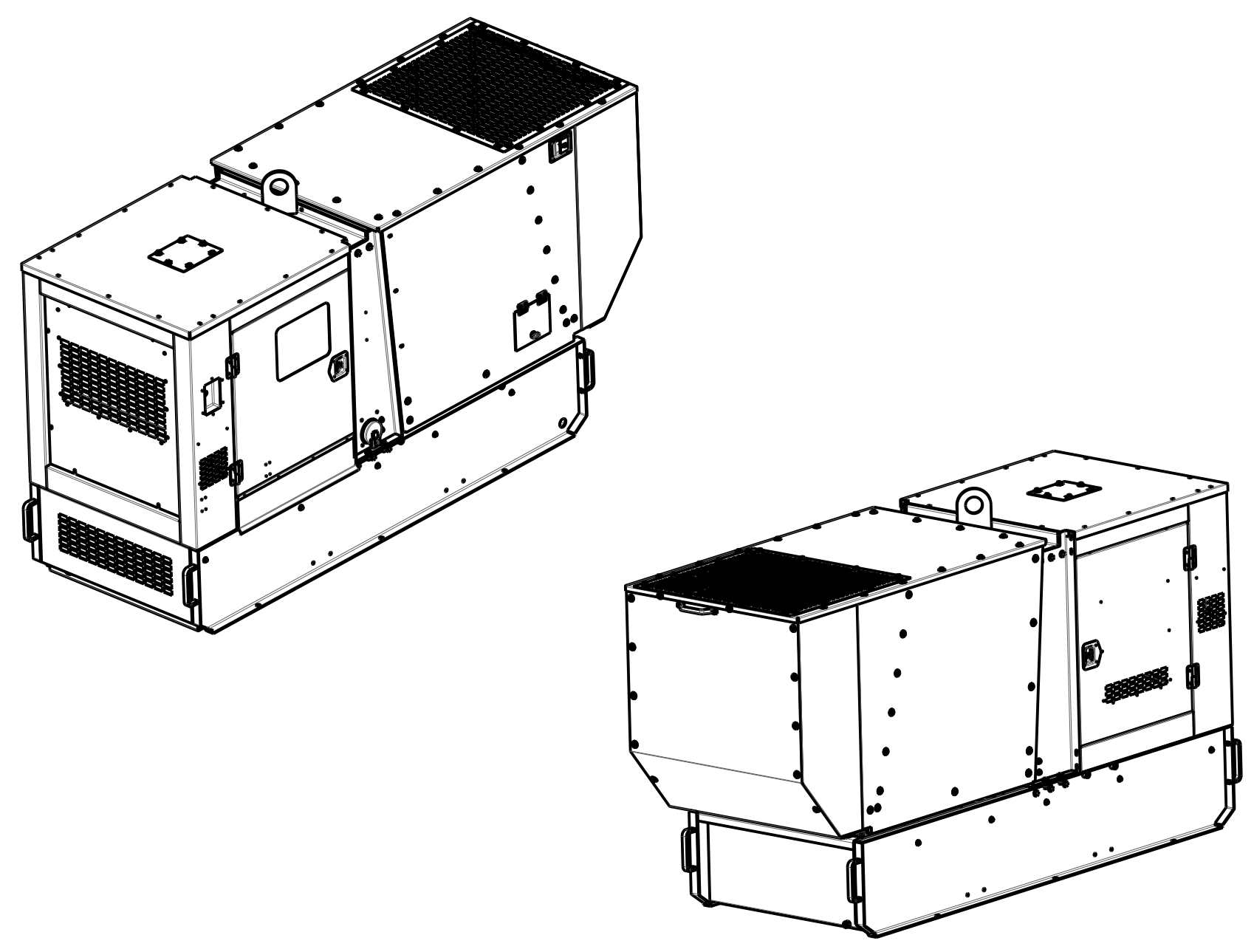
REVISION: A
 SHEET 1 of 2



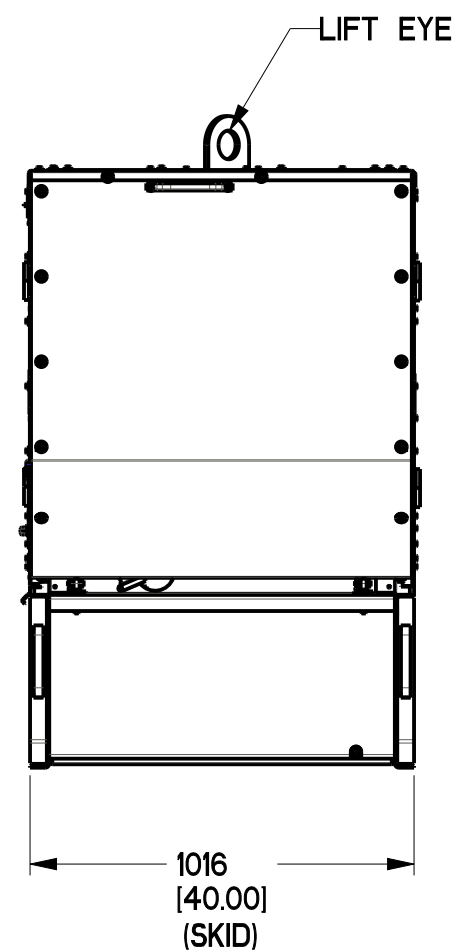
TOP VIEW



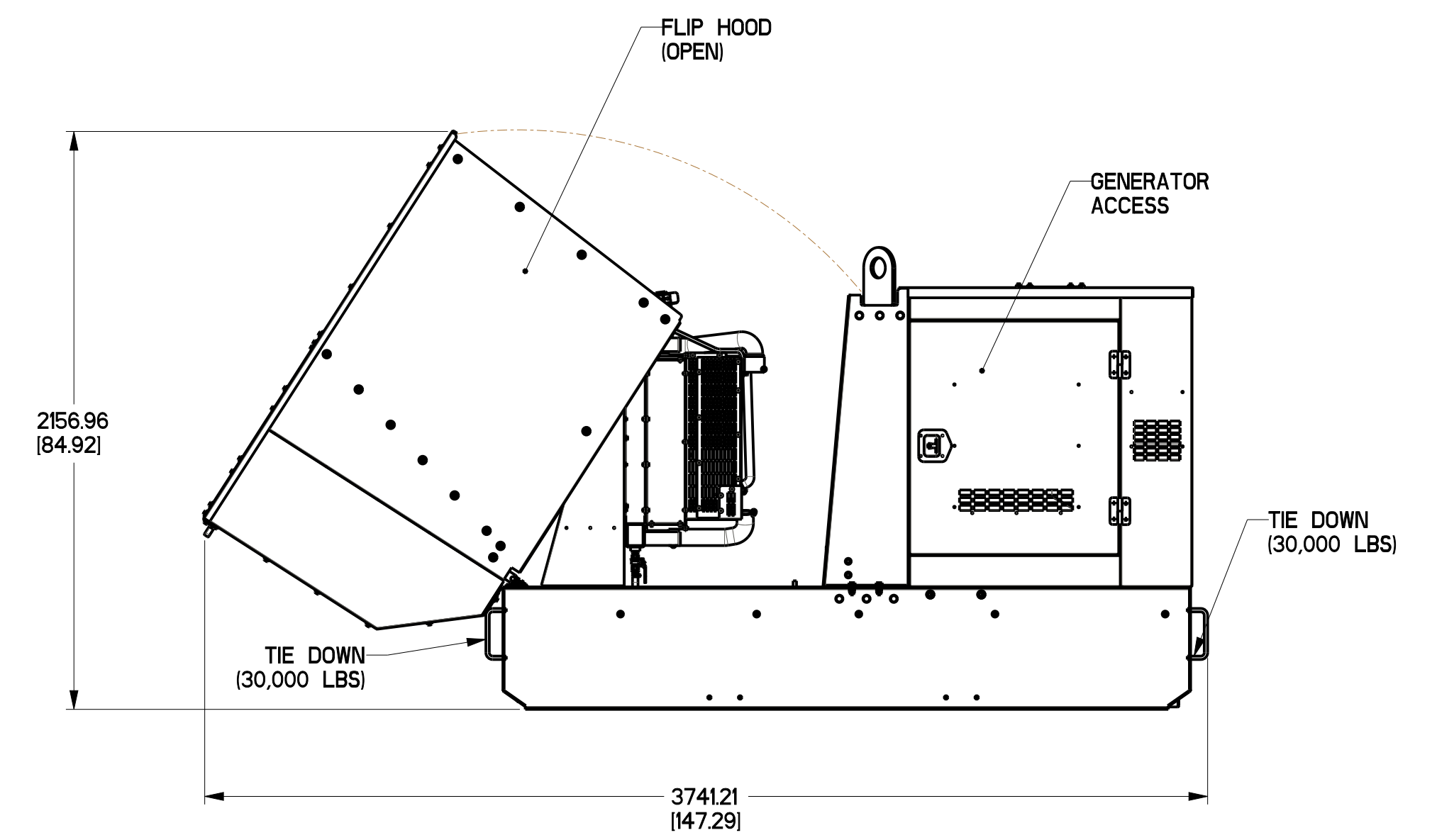
VIEW A-A (REAR VIEW)



RIGHT SIDE VIEW (CURB SIDE)



FRONT VIEW



LEFT SIDE VIEW (STREET SIDE)

- SERVICE ACCESS - FLIP HOOD
- BATTERY
 - BATTERY DISCONNECT
 - FUEL FILTER
 - COOLANT FILL
 - OIL DRAIN

MODEL (TRAILER)	FUEL TANK	WEIGHT	
		DRY	OPERATING
MDG75DF4	165 GAL	4,530 lb 2,055 kg	5,490 lb 2,490 kg
MDG100DF4	165 GAL	4,680 lb 2,122 kg	5,640 lb 2,555 kg

DRAWING CREATED FROM PRO/ENGINEER 3D FILE. ECO MODIFICATION TO BE APPLIED TO SOLID MODEL ONLY.

GENERAL TOLERANCES UNLESS NOTED

THIRD ANGLE PROJECTION

GENERAC

TITLE: MDG75/100DF4 (SKID)

MATERIAL: N/A

GENERAC MATL SPECIFICATION: N/A

PAINY SURFACE FINISH: N/A

APPROVALS: [Signature] DATE: 12/16/21

DATE: 12/16/21

ALL APPROVALS ELECTRONICALLY STORED INSIDE WINDCHILL

LIFECYCLE STATE: Non-NPD Released

FIRST USE:

SIZE: D

CAGE NO: N/A

DWG NO: A0001501751

SCALE: 0.050

WT-KG: 0.00

REV: A

SHEET 2 of 2