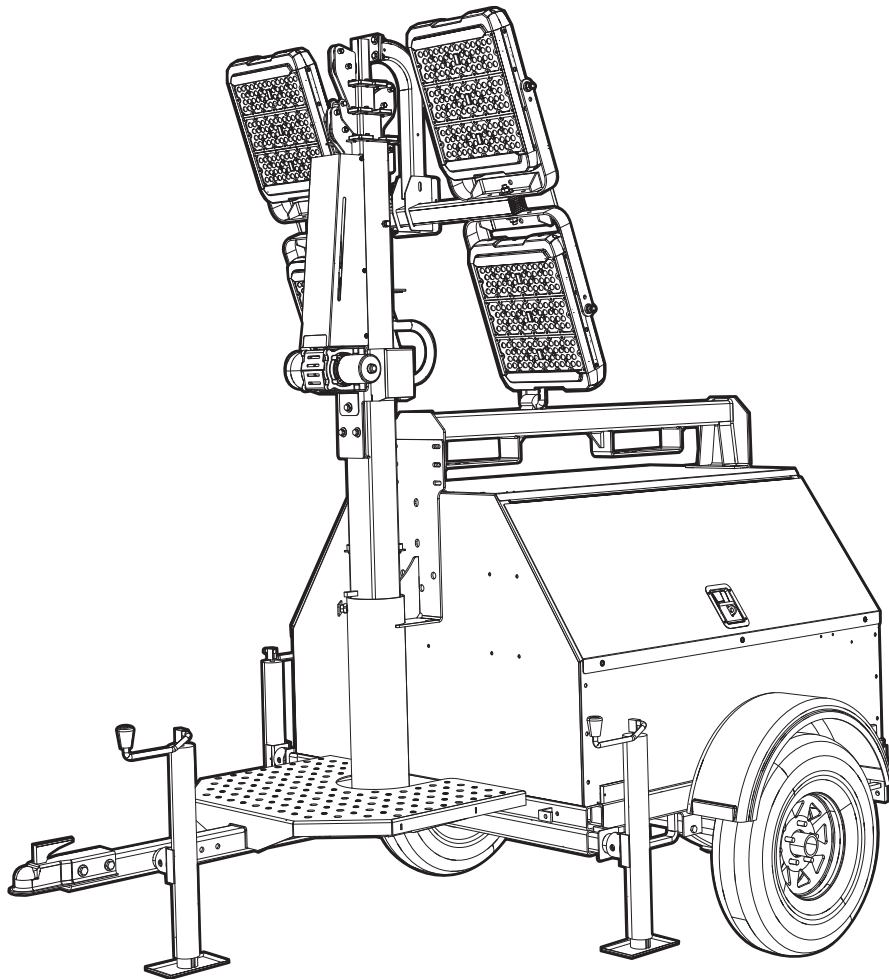


MLT4060/80MKV-LED

Diesel Light Tower Parts Manual



03798

MODEL NUMBER: _____

SERIAL NUMBER: _____

DATE PURCHASED: _____

SAVE THIS MANUAL FOR FUTURE REFERENCE

 **WARNING**

CANCER AND REPRODUCTIVE HARM

www.P65Warnings.ca.gov.

(000393a)

 **WARNING**

Breathing diesel engine exhaust exposes you to chemicals known to the State of California to cause cancer and birth defects or other reproductive harm.

- Always start and operate the engine in a well-ventilated area.
- If in an enclosed area, vent the exhaust to the outside.
- Do not modify or tamper with the exhaust system.
- Do not idle the engine except as necessary.

For more information go to

www.P65Warnings.ca.gov/diesel.

(000394)

Introduction

This parts manual was prepared based on the information available at the time of publication and is subject to change without notice. Generac Mobile reserves the right to change parts at any time. To check whether a revised parts manual is available, contact Generac Mobile.

DO NOT MODIFY or use this equipment for any application other than which it was designed for. To keep your equipment fully operational, it is suggested you maintain a stock of commonly used maintenance or service parts. A recommended spare parts list can be found in the back of this manual. To order service parts, please go to www.generacmobileproducts.com or call Generac Mobile.



WARNING

Consult Manual. Read and understand manual completely before using product. Failure to completely understand manual and product could result in death or serious injury. (000100a)

WARNING

Environmental Hazard. Always recycle batteries at an official recycling center in accordance with all local laws and regulations. Failure to do so could result in environmental damage, death, or serious injury. (000228)

GENERAC MOBILE PRODUCTS LLC

215 Power Drive • Berlin, WI 54923 U.S.A.

Phone: 920-361-4442

FAX: 920-361-4416

Toll Free: 1-800-926-9768

www.generacmobileproducts.com

For technical or parts QUESTIONS, contact Generac Mobile Technical Service at 1-800-926-9768.

Engine Make: _____

Engine Serial Number: _____

Engine Model Number: _____

This Page Intentionally Left Blank

Table of Contents

| | |
|--|-----|
| Introduction | iii |
| | iv |
| Unit Decals - Exterior | 2 |
| Unit Decals - Left Side Interior | 4 |
| Unit Decals - Right Side Interior | 6 |
| Mast, Junction Box and Lights to Unit | 8 |
| LED Light Assembly | 10 |
| Mast Junction Box Assembly | 12 |
| Mast Assembly | 14 |
| Mast Assembly - Bottom Post | 16 |
| Roof and Doors to Unit | 18 |
| Front, Rear, and Side Panels to Unit | 20 |
| Control Box to Unit | 22 |
| Control Box Assembly- Analog | 24 |
| Control Panel Assembly - Analog | 26 |
| Control Box Assembly - PowerZone (If Equipped) | 28 |
| Control Panel Assembly - PowerZone (If Equipped) | 30 |
| Cooling System Assembly | 32 |
| Engine and Generator to Unit | 34 |
| Engine Assembly - Mitsubishi Left Side | 36 |
| Engine Assembly - Mitsubishi Right Side | 38 |
| Engine Assembly - Kubota Left Side | 40 |
| Engine Assembly - Kubota Right Side | 42 |
| Generator Assembly | 44 |
| Fuel Tank to Unit | 46 |
| Trailer Assembly | 48 |
| Trailer - Hitch Options | 50 |
| Axle Assembly | 52 |
| Recommended Spare Parts - Engine and Service Kits - Mitsubishi | 54 |
| Recommended Spare Parts - Engine and Service Kits - Kubota | 56 |
| Recommended Spare Parts - Electrical | 58 |
| Recommended Spare Parts - Misc | 60 |

Parts Manual Instructions

Product illustrations are only representations. Products supplied may vary from the illustrations in this parts manual. Parts not shown in the illustration are indicated by a double dash (--) in the item column.

Please be prepared to provide the following information when ordering replacement parts: model number, serial number (on unit serial tag), part number, purchase order number (if applicable), shipping address, shipping method.

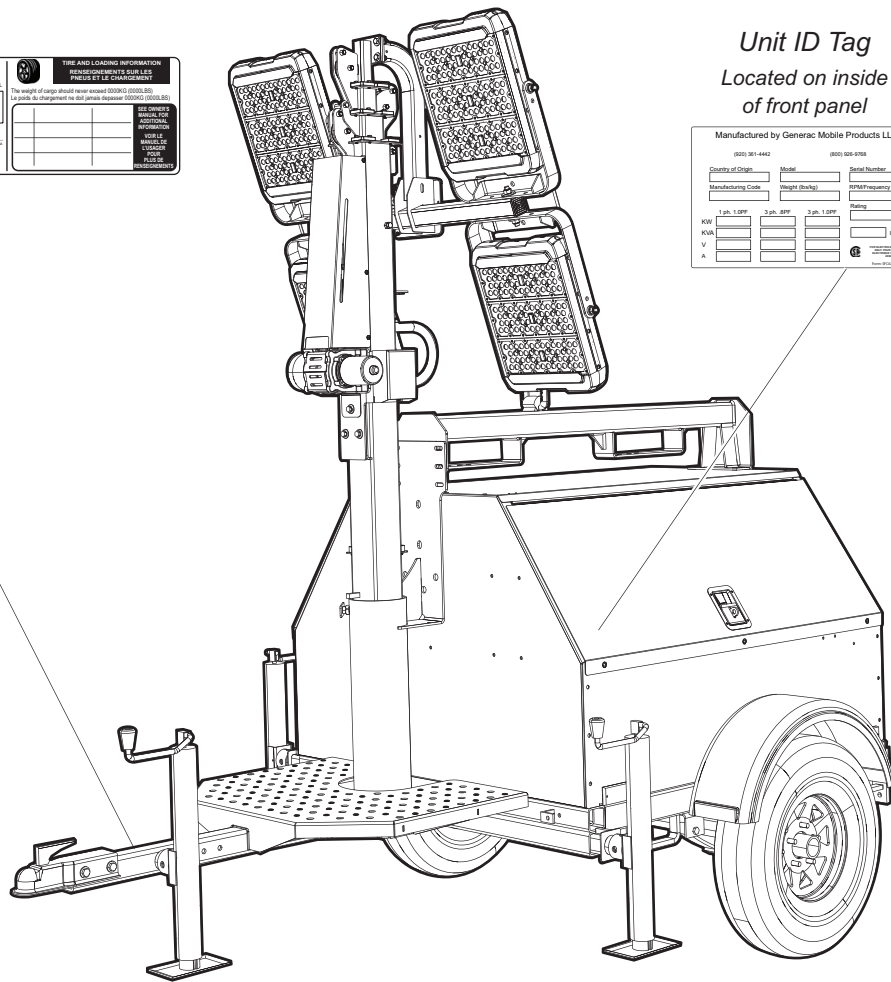
Refer to the illustration below to locate the unit ID tag and Vehicle Identification Number (VIN) tag on the unit. Important information, such as the unit serial number, model number, VIN and tire loading information are found on these tags. Record the information from these tags so it is available if the tags are lost or damaged. When ordering parts or requesting assistance, you may be asked to provide this information.

VIN Tag

| | | | |
|---|-------------|---------------------------------|--|
| MANUFACTURED BY FABRIQUE PAR: Generac Mobile Products LLC | | COLD INF. PRESUS / DATE: 000000 | |
| GOVERNMENT: 00000 (000000) | | PRESUS DE: 00000 (000000) | |
| SACHR / PNEU | TIRE / PNEU | SEM / JANTE | |
| EACH AXLE | | | |
| TIRE AND LOADING INFORMATION: PRESEZ ET LE CHARGEMENT The weight of each wheel must exceed 100000 (100000) lbs. Le poids de chargement de BIL jante depasse 100000 (100000) lbs. | | | |
| SEE OWNER'S MANUAL FOR ADDITIONAL INFORMATION: VEHICLE MODEL: XXX000 TYPE: TRAILER | | | |
| VIN: 0000000000000000 | | | |

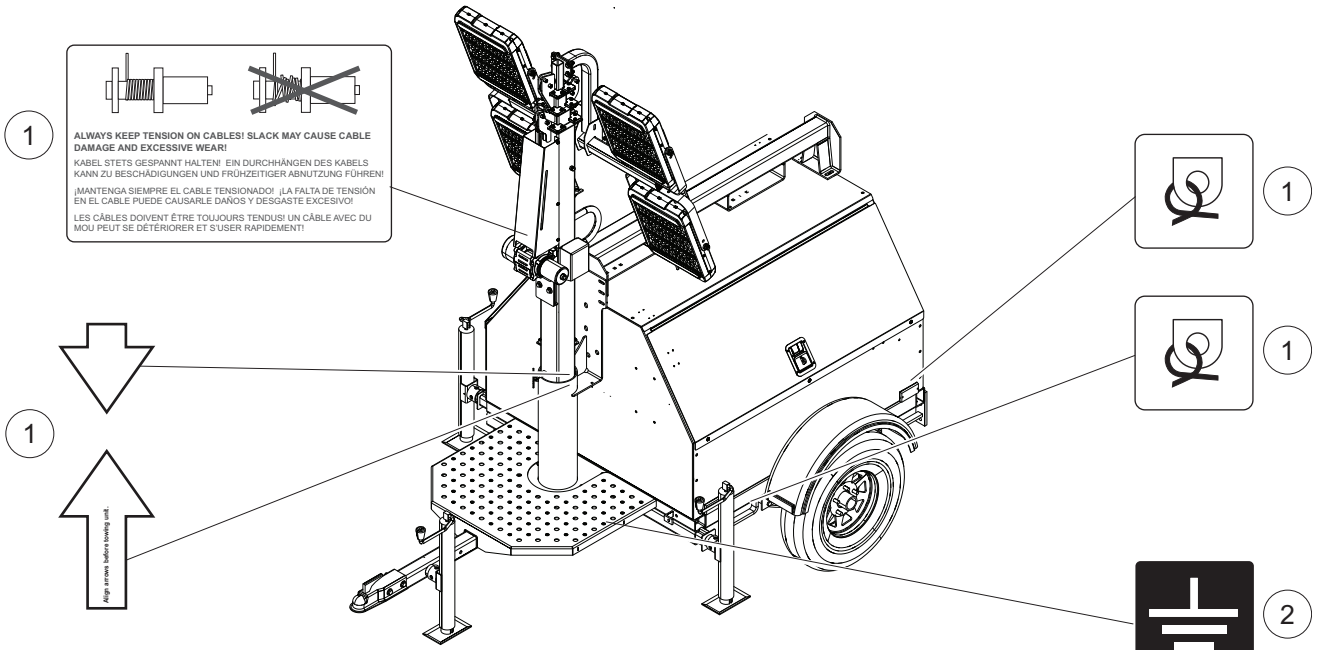
Unit ID Tag
Located on inside of front panel

| | | | | |
|--------------------|-----------------|----------------|------------|---------------|
| Country of Origin | | | Model | Serial Number |
| Manufacturing Code | Height (Inches) | Tire Frequency | | |
| 1 ph. 1.00P | 2 ph. 80P | 3 ph. 1.00P | Rating | |
| RW | | | Vol. Class | |
| RV | | | | |
| V | | | | |
| A | | | | |

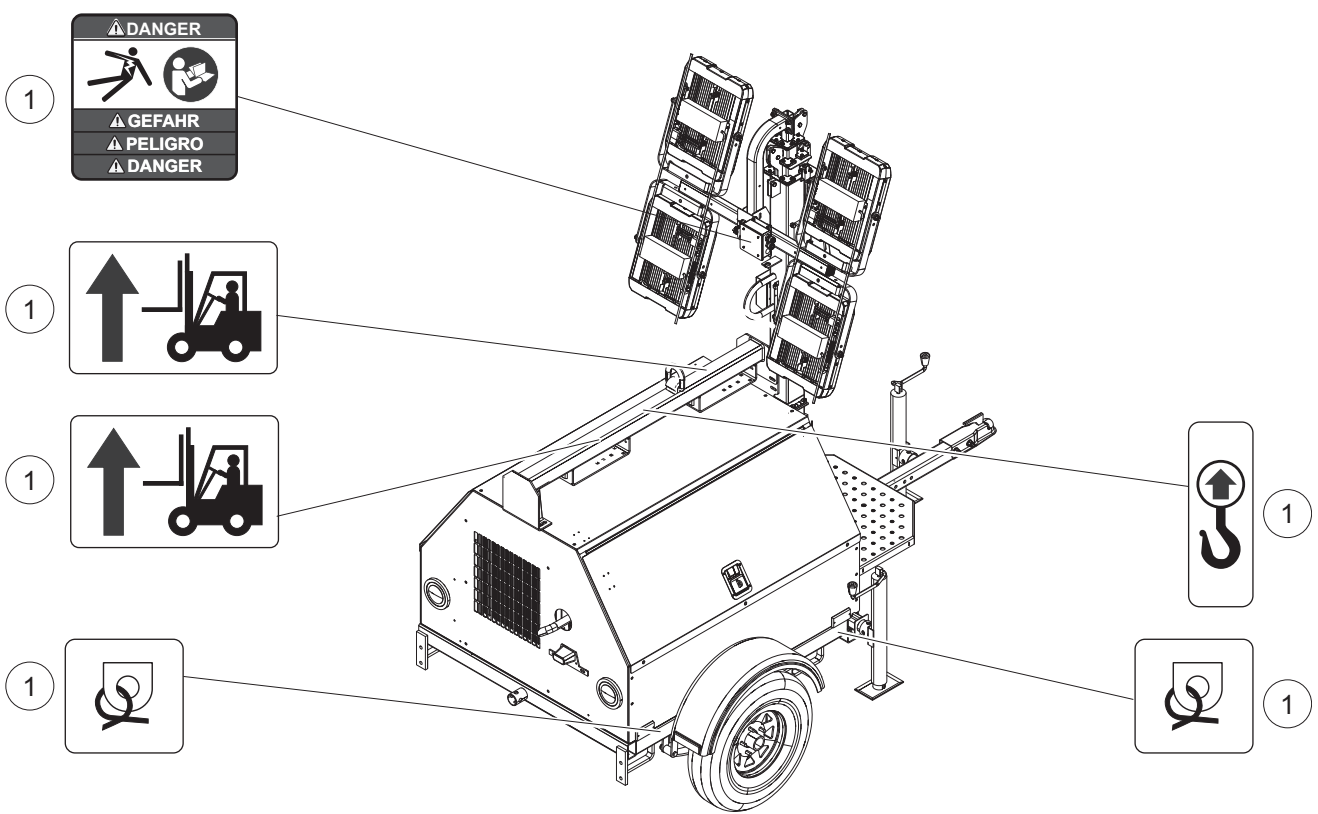


03797

UNIT DECALS - EXTERIOR



| | | | | | | |
|----------|--|--|--|---|--|--|
| 1 | | TOWING INSTRUCTIONS 1. Read operator's manual. 2. Use hitch rated for trailer's "gross vehicle weight rating". 3. Securely attach trailer to tow vehicle. 4. Attach safety chains using a cross pattern. 5. Attach breakdown chain to vehicle. 6. Check trailer lights. | ABSCHLEPPANWEISUNGEN 1. Benutzerhandbuch lesen. 2. Anhängervorrichtung verwenden, die der „Gesamtbetriebsgewichtsklasse“ des Fahrzeugs entspricht. 3. Anhänger sicher am Abschleppfahrzeug befestigen. 4. Sicherheitsketten über Kreuz anbringen. 5. Anreizkette am Fahrzeug anbringen. 6. Anhängergeleuchten prüfen. | INSTRUCCIONES PARA REMOLQUE 1. Lea el manual del operador. 2. Use un enganche adecuado para la "capacidad de peso bruto del vehículo" del remolque. 3. Enganche firmemente el remolque al vehículo de remolque. 4. Enganche las cadenas de seguridad en forma cruzada. 5. Enganche al vehículo la cadena de emergencia para averías. 6. Revise las luces del remolque. | INSTRUCTIONS DE REMORQUAGE 1. Lire le manuel de l'utilisateur. 2. Utiliser un attelage convenant au poids nominal brut de la remorque. 3. Arrimer solidement la remorque au véhicule tracteur. 4. Poser les chaînes de sécurité en les croisant. 5. Fixer la chaîne de remorquage au véhicule. 6. Vérifier les feux de la remorque. | |
| | | | | | | |
| | | | | | | |
| | | | | | | |
| | | | | | | |
| | | | | | | |

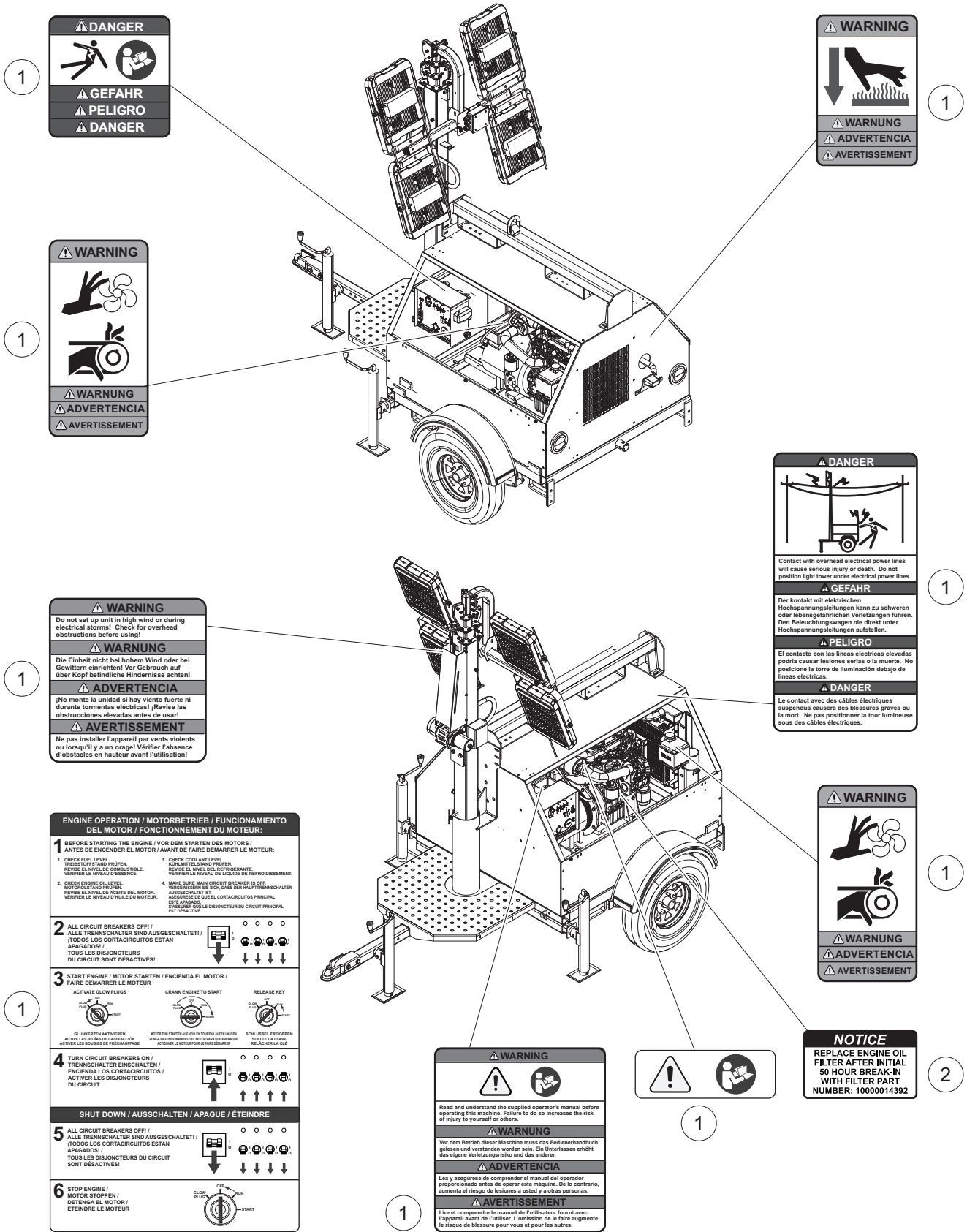


03796

UNIT DECALS - EXTERIOR

| Item | Part No. | Qty | Description | Notes |
|-------------|-----------------|------------|----------------------------|--------------|
| 1 | A0002871539 | 1 | DECAL, SAFETY | |
| 2 | 12142 | 1 | DECAL, GROUND | |
| 3 | A0000268141 | 1 | DECAL, TOWING INSTRUCTIONS | |

UNIT DECALS - LEFT SIDE INTERIOR



⚠ DANGER

⚠ GEFAHR
⚠ PELIGRO
⚠ DANGER

⚠ WARNING

⚠ WARNUNG
⚠ ADVERTENCIA
⚠ AVERTISSEMENT

⚠ WARNING

⚠ WARNUNG
⚠ ADVERTENCIA
⚠ AVERTISSEMENT

⚠ WARNING
Do not set up unit in high wind or during electrical storms! Check for overhead obstructions before using!

⚠ WARNUNG
Die Einheit nicht bei hohem Wind oder bei Gewittern einrichten! Vor Gebrauch auf über Kopf befindliche Hindernisse achten!

⚠ ADVERTENCIA
No monte la unidad si hay viento fuerte ni durante tormentas eléctricas! Revisar las obstrucciones elevadas antes de usar!

⚠ AVERTISSEMENT
Ne pas installer l'appareil par vents violents ou lorsqu'il y a un orage! Vérifier l'absence d'obstacles en hauteur avant l'utilisation!

⚠ DANGER

Contact with overhead electrical power lines will cause serious injury or death. Do not position light tower under electrical power lines.

⚠ GEFAHR
Der Kontakt mit elektrischen Hochspannungsleitungen kann zu schweren oder lebensgefährlichen Verletzungen führen. Den Beleuchtungswagen nie direkt unter Hochspannungsleitungen aufstellen.

⚠ PELIGRO
El contacto con las líneas eléctricas elevadas podría causar lesiones serias o la muerte. No posicione la torre de iluminación debajo de líneas eléctricas.

⚠ DANGER
Le contact avec des câbles électriques suspendus causera des blessures graves ou la mort. Ne pas positionner la tour lumineuse sous des câbles électriques.

ENGINE OPERATION / MOTORBETRIEB / FUNCIONAMIENTO DEL MOTOR / FONCTIONNEMENT DU MOTEUR:

1 BEFORE STARTING THE ENGINE / VOR DEM STARTEN DES MOTORS / ANTES DE ENCENDER EL MOTOR / AVANT DE FAIRE DEMARRER LE MOTEUR:

- CHECK FUEL LEVEL. TREIBSTOFFSTAND PRÜFEN. REVISAR EL NIVEL DE COMBUSTIBLE. VÉRIFIER LE NIVEAU D'ESSENCE.
- CHECK ENGINE OIL LEVEL. MOTORÖLSTAND PRÜFEN. REVISAR EL NIVEL DE ACEITE DEL MOTOR. VÉRIFIER LE NIVEAU D'HUILE DU MOTEUR.
- CHECK COOLANT LEVEL. KÜHMITTELSTAND PRÜFEN. REVISAR EL NIVEL DEL REFRIGERANTE. VÉRIFIER LE NIVEAU DE LIQUIDE DE REFRIGÉREMENT.
- MAKE SURE MAIN CIRCUIT BREAKER IS OFF. HAUPTSTROMSCHALTER AUS. CERRAR OBR. PRINCIPAL/TRENSCHALTER. ASSURER QUE LE DISJONCTEUR OU CIRCUIT PRINCIPAL EST DÉACTIVÉ.

2 ALL CIRCUIT BREAKERS OFF! / ALLE TRENSCHALTER SIND AUSGESCHALTET! / TODOS LOS CORTACIRCUITOS ESTÁN APAGADOS! / TOUS LES DISJONCTEURS DU CIRCUIT SONT DÉACTIVÉS!

3 START ENGINE / MOTOR STARTEN / ENCIENDA EL MOTOR / FAIRE DÉMARRER LE MOTEUR:

ACTIVATE GLOW PLUGS CRANK ENGINE TO START RELEASE KEY

4 TURN CIRCUIT BREAKERS ON / TRENSCHALTER EINSCHALTEN / ENCIENDA LOS CORTACIRCUITOS / ACTIVER LES DISJONCTEURS DU CIRCUIT

SHUT DOWN / AUSSCHALTEN / APAGUE / ÉTEINDRE

5 ALL CIRCUIT BREAKERS OFF! / ALLE TRENSCHALTER SIND AUSGESCHALTET! / TODOS LOS CORTACIRCUITOS ESTÁN APAGADOS! / TOUS LES DISJONCTEURS DU CIRCUIT SONT DÉACTIVÉS!

6 STOP ENGINE / MOTOR STOPPEN / DETENGA EL MOTOR / ÉTEINDRE LE MOTEUR

⚠ WARNING

Read and understand the supplied operator's manual before operating this machine. Failure to do so increases the risk of injury to yourself or others.

⚠ WARNUNG
Vor dem Betrieb dieser Maschine muss das Bedienerhandbuch gelesen und verstanden worden sein. Ein Unterlassen erhöht das eigene Verletzungsrisiko und das anderer.

⚠ ADVERTENCIA
Lea y asegúrese de comprender el manual del operador proporcionado antes de operar esta máquina. De lo contrario, aumenta el riesgo de lesiones a usted y a otras personas.

⚠ AVERTISSEMENT
Lire et comprendre le manuel de l'utilisateur fourni avec l'appareil avant de l'utiliser. L'omission de le faire augmente le risque de blessure pour vous et pour les autres.

⚠ WARNING

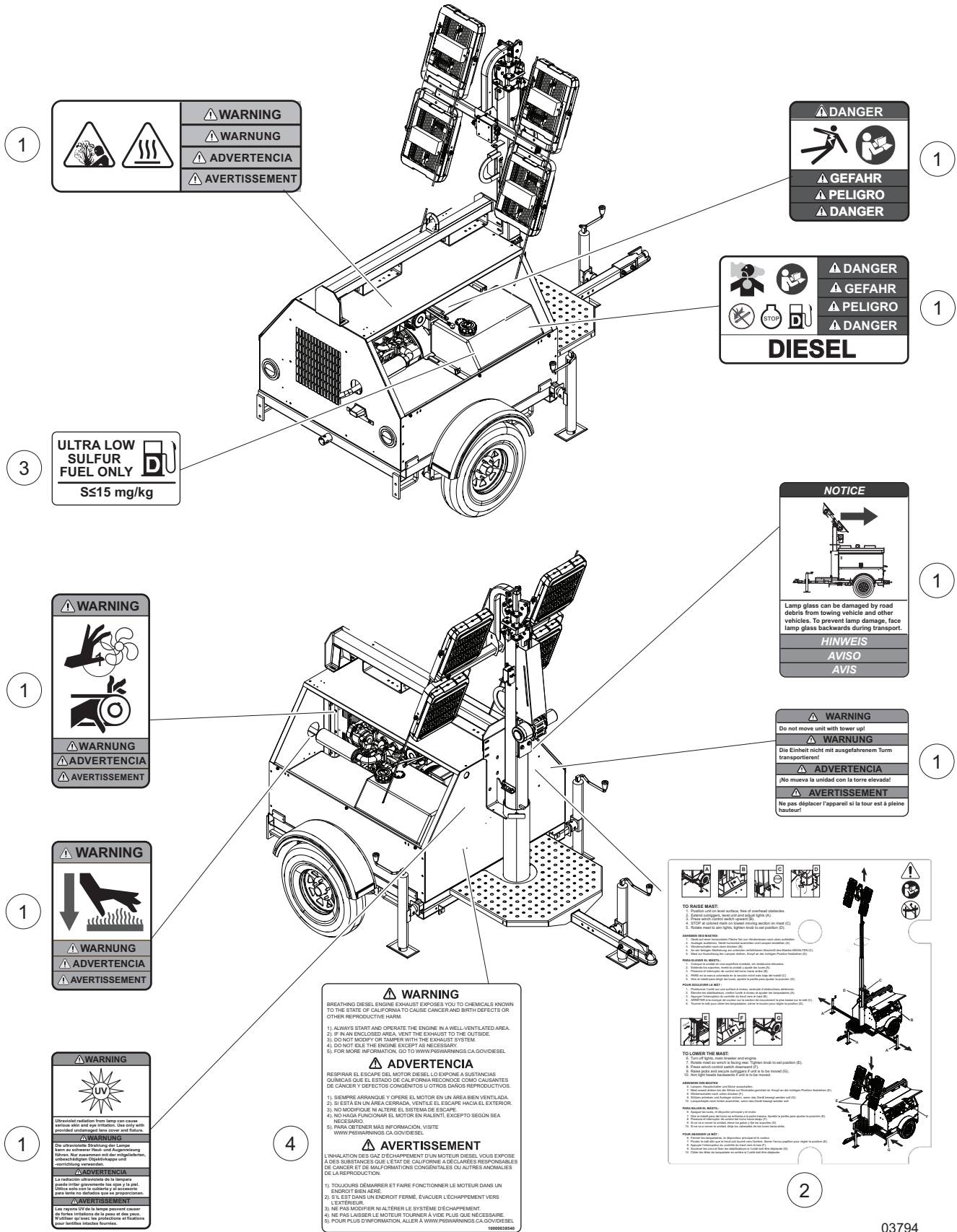
⚠ WARNUNG
⚠ ADVERTENCIA
⚠ AVERTISSEMENT

NOTICE
REPLACE ENGINE OIL FILTER AFTER INITIAL 50 HOUR BREAK-IN WITH FILTER PART NUMBER: 10000014392

UNIT DECALS - LEFT SIDE INTERIOR

| Item | Part No. | Qty | Description | Notes |
|------|-------------|-----|---------------------------|-------|
| 1 | A0002871539 | 1 | DECAL, SAFETY | |
| 2 | 10000014196 | 1 | DECAL, 50 HOUR OIL FILTER | |

UNIT DECALS - RIGHT SIDE INTERIOR



1

| | |
|--|------------------------|
| | ⚠ WARNING |
| | ⚠ WARNUNG |
| | ⚠ ADVERTENCIA |
| | ⚠ AVERTISSEMENT |

1

| |
|------------------|
| ⚠ DANGER |
| |
| ⚠ GEFAHR |
| ⚠ PELIGRO |
| ⚠ DANGER |

1

| | |
|---------------|------------------|
| | ⚠ DANGER |
| | ⚠ GEFAHR |
| | ⚠ PELIGRO |
| | ⚠ DANGER |
| DIESEL | |

3

| |
|-----------------------------------|
| ULTRA LOW SULFUR FUEL ONLY |
| |
| S≤15 mg/kg |

1

| |
|--|
| NOTICE |
| |
| Lamp glass can be damaged by road debris from towing vehicle and other vehicles. To prevent lamp damage, face lamp glass backwards during transport. |
| HINWEIS |
| AVISO |
| AVIS |

1

| |
|------------------------|
| ⚠ WARNING |
| |
| ⚠ WARNING |
| ⚠ ADVERTENCIA |
| ⚠ AVERTISSEMENT |

1

| |
|---|
| ⚠ WARNING |
| Do not move unit with tower up! |
| ⚠ WARNING |
| Die Einheit nicht mit ausgefahrenem Turm transportieren! |
| ⚠ ADVERTENCIA |
| No mover la unidad con la torre elevada! |
| ⚠ AVERTISSEMENT |
| Ne pas déplacer l'appareil si la tour est à pleine hauteur! |

1

| |
|------------------------|
| ⚠ WARNING |
| |
| ⚠ WARNING |
| ⚠ ADVERTENCIA |
| ⚠ AVERTISSEMENT |

4

| |
|---|
| ⚠ WARNING |
| BREATHING DIESEL ENGINE EXHAUST EXPOSES YOU TO CHEMICALS KNOWN TO THE STATE OF CALIFORNIA TO CAUSE CANCER AND BIRTH DEFECTS OR OTHER REPRODUCTIVE HARM. |
| 1) ALWAYS START AND OPERATE THE ENGINE IN A WELL-VENTILATED AREA. |
| 2) IF IN AN ENCLOSED AREA, VENT THE EXHAUST TO THE OUTSIDE. |
| 3) DO NOT MODIFY OR TAMPER WITH THE EXHAUST SYSTEM. |
| 4) DO NOT SILENCE THE ENGINE EXCEPT AS NECESSARY. |
| 5) FOR MORE INFORMATION, GO TO WWW.P66WARNINGS.CA.GOV/DIESEL. |
| ⚠ ADVERTENCIA |
| RESPIRAR EL ESCAPE DEL MOTOR DIESEL LO EXPONE A SUSTANCIAS QUÍMICAS QUE EL ESTADO DE CALIFORNIA RECONOCE COMO CAUSANTES DE CÁNCER Y DEFECTOS CONGÉNITOS U OTROS DAÑOS REPRODUCTIVOS. |
| 1) SIEMPRE ARRANQUE Y OPERE EL MOTOR EN UN ÁREA BIEN VENTILADA. |
| 2) SI ESTÁ EN UN ÁREA CERRADA, VENTILE EL ESCAPE HACIA EL EXTERIOR. |
| 3) NO MODIFIQUE NI ALTERE EL SISTEMA DE ESCAPE. |
| 4) NO HAGA FUNCIONAR EL MOTOR EN BALENTI, EXCEPTO SEGUN SEA NECESARIO. |
| 5) PARA OBTENER MÁS INFORMACIÓN, VISITE WWW.P66WARNINGS.CA.GOV/DIESEL. |
| ⚠ AVERTISSEMENT |
| L'INHALATION DES GAZ D'ÉCHAPPEMENT D'UN MOTEUR DIESEL VOUS EXPOSE À DES SUBSTANCES QUE L'ÉTAT DE CALIFORNIE S'ÉCARTERES RESPONSABLES DE CANCER ET DE MALFORMATIONS CONGÉNITALES OU AUTRES ANOMALIES DE LA REPRODUCTION. |
| 1) TOUJOURS DÉMARRER ET FAIRE FONCTIONNER LE MOTEUR DANS UN ENDROIT BIEN AÉRIÉ. |
| 2) S'IL EST DANS UN ENDROIT FERMÉ, ÉVACUER L'ÉCHAPPEMENT VERS L'EXTÉRIEUR. |
| 3) NE PAS MODIFIER NI ALTERER LE SYSTÈME D'ÉCHAPPEMENT. |
| 4) NE PAS LAISSER LE MOTEUR TOUTURNER À VIDE PLUS QUE NÉCESSAIRE. |
| 5) POUR PLUS D'INFORMATION, ALLER À WWW.P66WARNINGS.CA.GOV/DIESEL. |

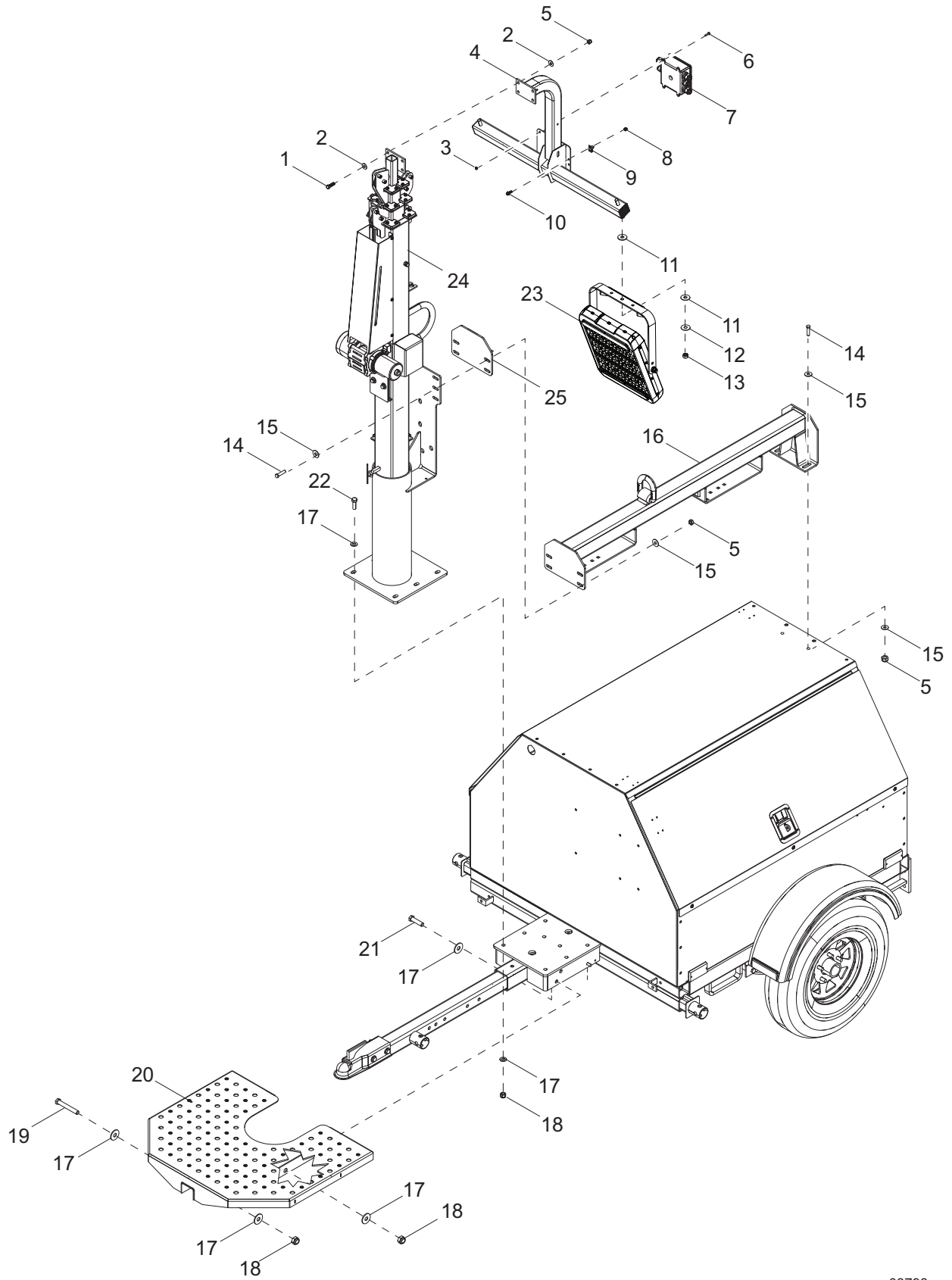
2

| |
|--|
| TO RAISE MAST: |
| 1. Position unit on level surface. Use 4 chock blocks. |
| 2. Extend mast. Lock control handle (right). |
| 3. Press control handle (right). |
| 4. STOP! An alarm will not sound unless you are in (2). |
| 5. Release mast in (right). Tighten lock to set position (2). |
| ADVERTENCIA DE PELIGRO: |
| 1. Nivel de superficie plana. Coloque bloques de apoyo en (2). |
| 2. Extienda el mástil. Bloquee el control (derecha). |
| 3. Presione el control (derecha). |
| 4. ¡DETÉNTESE! No sonará una alarma a menos que esté en (2). |
| 5. Suelte el mástil en (derecha). Apriete la llave para fijar la posición (2). |
| AVERTISSEMENT DE DANGER: |
| 1. Surface plane. Place chock blocks in (2). |
| 2. Extend mast. Lock control handle (right). |
| 3. Push control handle (right). |
| 4. STOP! An alarm will not sound unless you are in (2). |
| 5. Release mast in (right). Tighten lock to set position (2). |
| AVERTISSEMENT DE DANGER: |
| 1. Surface plane. Place chock blocks in (2). |
| 2. Extend mast. Lock control handle (right). |
| 3. Push control handle (right). |
| 4. STOP! An alarm will not sound unless you are in (2). |
| 5. Release mast in (right). Tighten lock to set position (2). |
| TO LOWER MAST: |
| 1. Lower mast. Lock control handle (right). |
| 2. Release mast in (right). Tighten lock to set position (2). |
| 3. Press control handle (right). |
| 4. STOP! An alarm will not sound unless you are in (2). |
| 5. Release mast in (right). Tighten lock to set position (2). |
| ADVERTENCIA DE PELIGRO: |
| 1. Baje el mástil. Bloquee el control (derecha). |
| 2. Suelte el mástil en (derecha). Apriete la llave para fijar la posición (2). |
| 3. Presione el control (derecha). |
| 4. ¡DETÉNTESE! No sonará una alarma a menos que esté en (2). |
| 5. Suelte el mástil en (derecha). Apriete la llave para fijar la posición (2). |
| AVERTISSEMENT DE DANGER: |
| 1. Lower mast. Lock control handle (right). |
| 2. Release mast in (right). Tighten lock to set position (2). |
| 3. Push control handle (right). |
| 4. STOP! An alarm will not sound unless you are in (2). |
| 5. Release mast in (right). Tighten lock to set position (2). |

UNIT DECALS - RIGHT SIDE INTERIOR

| Item | Part No. | Qty | Description | Notes |
|------|-------------|-----|-------------------------|-------|
| 1 | A0002871539 | 1 | DECAL, SAFETY | |
| 2 | A0002871523 | 1 | DECAL, MAST SET-UP | |
| 3 | 27433 | 1 | DECAL, ULTRA-LOW SULFUR | |
| 4 | 10000038540 | 1 | DECAL, PROP 65 | |

MAST, JUNCTION BOX AND LIGHTS TO UNIT

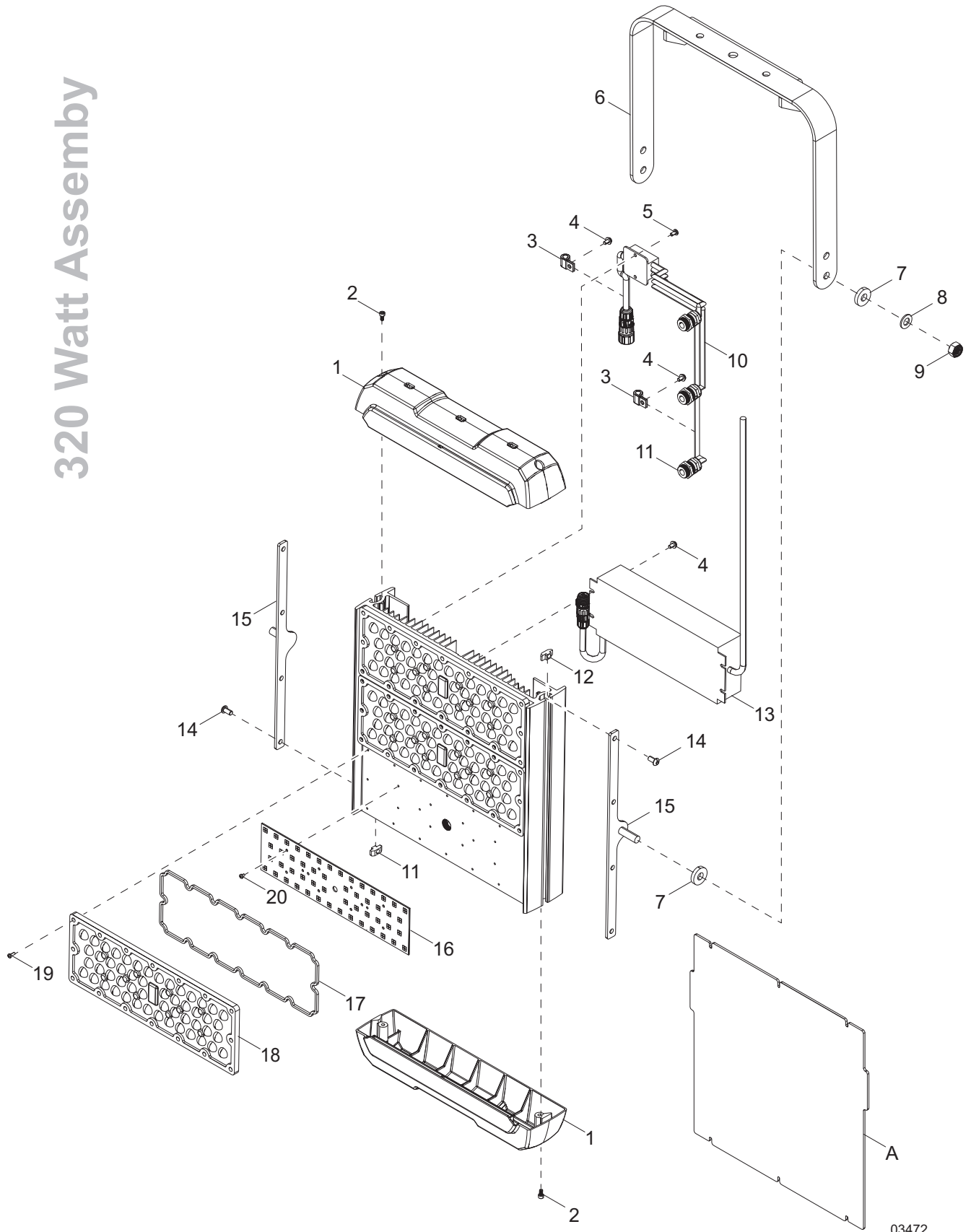


03793

MAST, JUNCTION BOX AND LIGHTS TO UNIT

| Item | Part No. | Qty | Description | Notes |
|------|-------------|-----|--|--------|
| 1 | 60352 | 4 | SCREW, .375-16 X 1.125 STANDARD HEX, G5 | |
| 2 | 60386 | 8 | WASHER, .375 FLAT .993/.064 | |
| 3 | 60061 | 4 | NUT, 10-32 NYLOCK | |
| 4 | A0000199129 | 1 | WELDMENT MAST CROSSARM | |
| 5 | 60358 | 10 | NUT, .375-16 NYLOCK, G5 | |
| 6 | 60424 | 4 | SCREW, 6-32X.750 PAN PHIL G2 SELF THREAD | |
| 7 | 10000032430 | 1 | ASSY JUNCTION BOX MAST 4 LT | |
| 8 | 60787 | 1 | NUT, .250-20 NYLOCK - SS | |
| 9 | 60375 | 1 | CLAMP, TUBING .312 LIGHT DUTY | |
| 10 | 60107 | 1 | SCREW, .250-20 X .750 SERRATED FLANGE HEX, | |
| 11 | A0000221212 | 8 | WASHER, FLAT M12 X 37OD X 1.50 - NYLON | |
| 12 | G052259 | 4 | WASHER, M12 FLAT | |
| 13 | 60305 | 4 | NUT, M12-1.75 NYLOCK, G8 | |
| 14 | 61036 | 4 | SCREW, .375-16 X 1.25 STANDARD HEX, SS | |
| 15 | 60698 | 12 | WASHER, .375 FLAT .875/.040, SS | |
| 16 | A0001214536 | 1 | WELDMENT, LIFT SUPPORT - VERTICAL MAST | |
| 17 | 60309 | 12 | WASHER, .500 FLAT 1.060/.090 | |
| 18 | 62221 | 9 | NUT, .500-13 NYLOCK, G5 | |
| 19 | 50215 | 2 | SCREW, .500-13 X 4.0 STANDARD HEX, G5 | |
| 20 | A0002741722 | 1 | STB WELDMENT, STEP PLATFORM | |
| 21 | 60388 | 2 | SCREW, .500-13 X 1.50 STANDARD HEX, G5 | |
| 22 | 60683 | 6 | SCREW, .500-13 X 1.50 STANDARD HEX, SS | |
| 23 | A0000987984 | 4 | ASSY LED LIGHT HARDWIRE 320W | |
| 24 | A0003456189 | 1 | MAST GROUP BLK VERT ELEC - 4000 LED | Page 8 |
| 25 | A0003272382 | 1 | STB SPACER MAST LIFT SUPPORT | |

320 Watt Assembly



03472

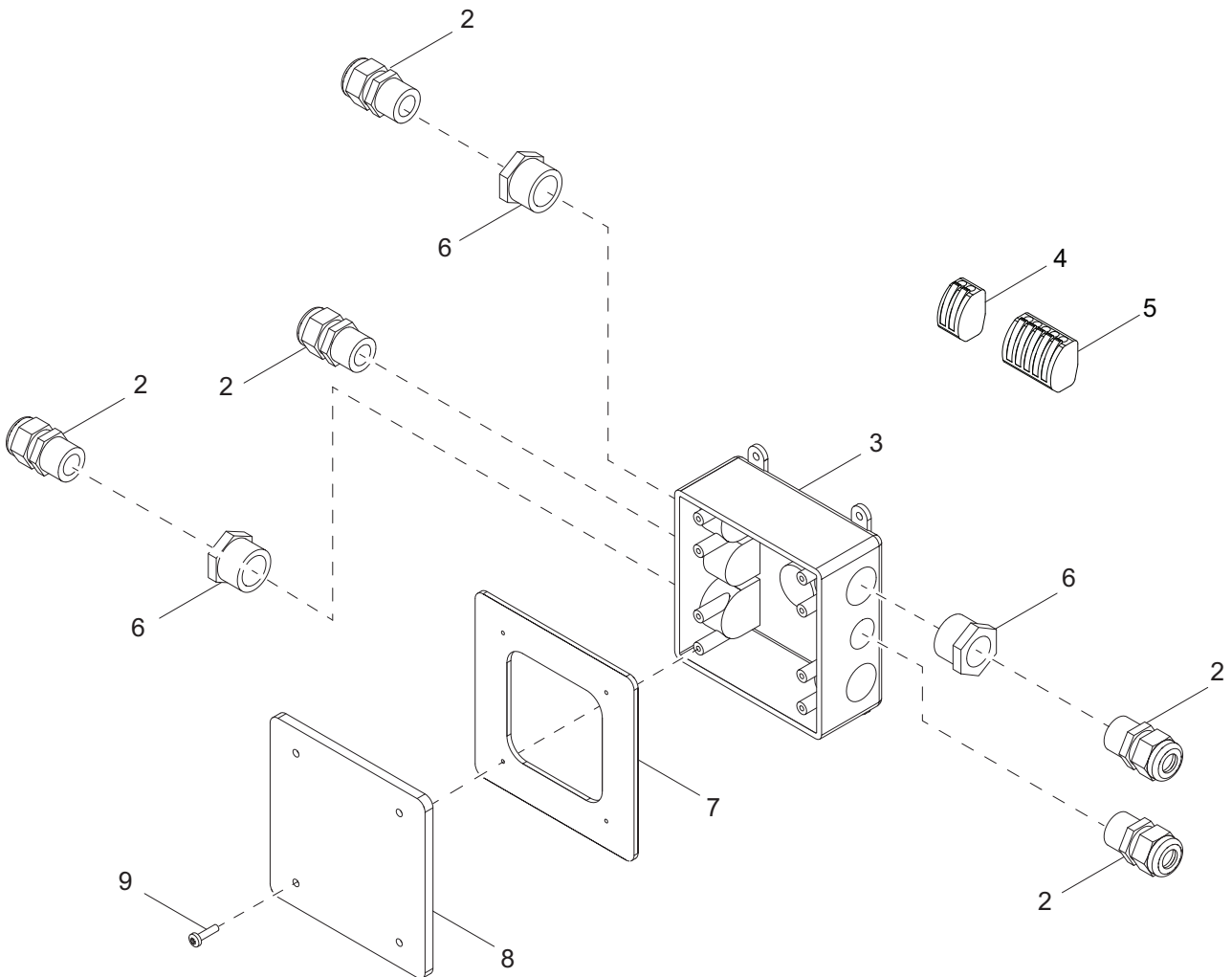
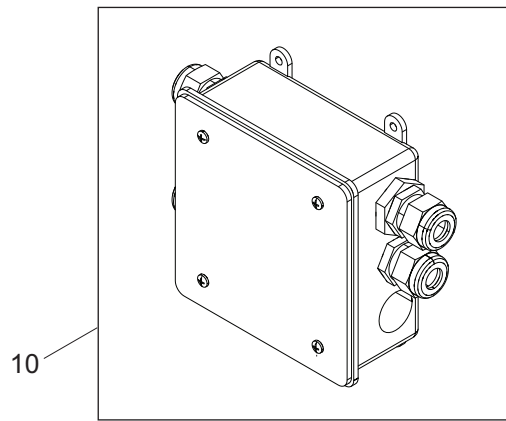
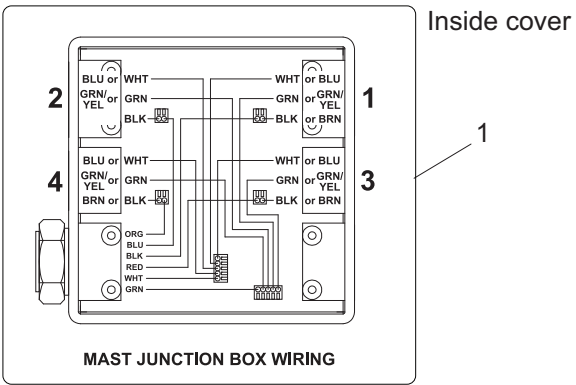
LED LIGHT ASSEMBLY

| Item | Part No. | Qty | Description | Notes |
|------|-------------|-----|-----------------------------------|-------|
| 1 | A0000092362 | 2 | END CAP, WITH DIFFUSER SLOT | |
| 2 | A0000188756 | 4 | SCREW, M4-.7 X 12 | |
| 3 | G020151 | 2 | CLAMP, .312 X .302 - STEEL/VINYL | |
| 4 | 0G7070 | 6 | SCREW, M4-.7 X 14 PPHM | |
| 5 | G020745 | 2 | SCREW, M4-.7 X 12 PPHM | |
| 6 | A0000416868 | 1 | BRACKET, TRUNNION - 320W | |
| 7 | A0000188752 | 4 | WASHER, M10 ID X 25MM OD X 5 MM T | |
| 8 | 60027 | 2 | WASHER, M10 FLAT | |
| 9 | A0000009451 | 2 | NUT, M10-1.50 NYLOCK, G8.8 | |
| 10 | A0000188731 | 1 | CABLE, 2 POSITION, 3 WAY SPLITTER | |
| 11 | A0000092266 | 3 | STRAIN RELIEF, 320W LED | |
| 12 | A0000188739 | 8 | NUT, M6-1.00 X 12 HAMMER | |
| 13 | A0000188779 | 1 | ASSEMBLY, DRIVER WITH CONNECTOR | |
| 14 | A0000214354 | 8 | SCREW, M6-1.0 X 12 BHSC - BLACK | |
| 15 | A0000095202 | 2 | BRACKET, TRUNNION TO FRAME | |
| 16 | A0000092359 | 3 | LED, PCB POPULATED 3030 | |
| 17 | A0000092361 | 3 | GASKET, OPTICAL LENS SEAL | |
| 18 | A0000092360 | 3 | LENS, OPTICAL 60° | |
| 19 | A0000192578 | 48 | SCREW, MOUNTING - OPTICAL LENS | |
| 20 | A0000192575 | 30 | SCREW, MOUNTING - PCB | |

Diffused Lighting (If equipped):

| | | | |
|----|-------------|---|---------------------------------------|
| A | A0000095669 | 1 | KIT, DIFFUSER LENS 320W - LED |
| -- | A0000277071 | 1 | KIT, DIFFUSER LENS STORAGE 320W - LED |

MAST JUNCTION BOX ASSEMBLY

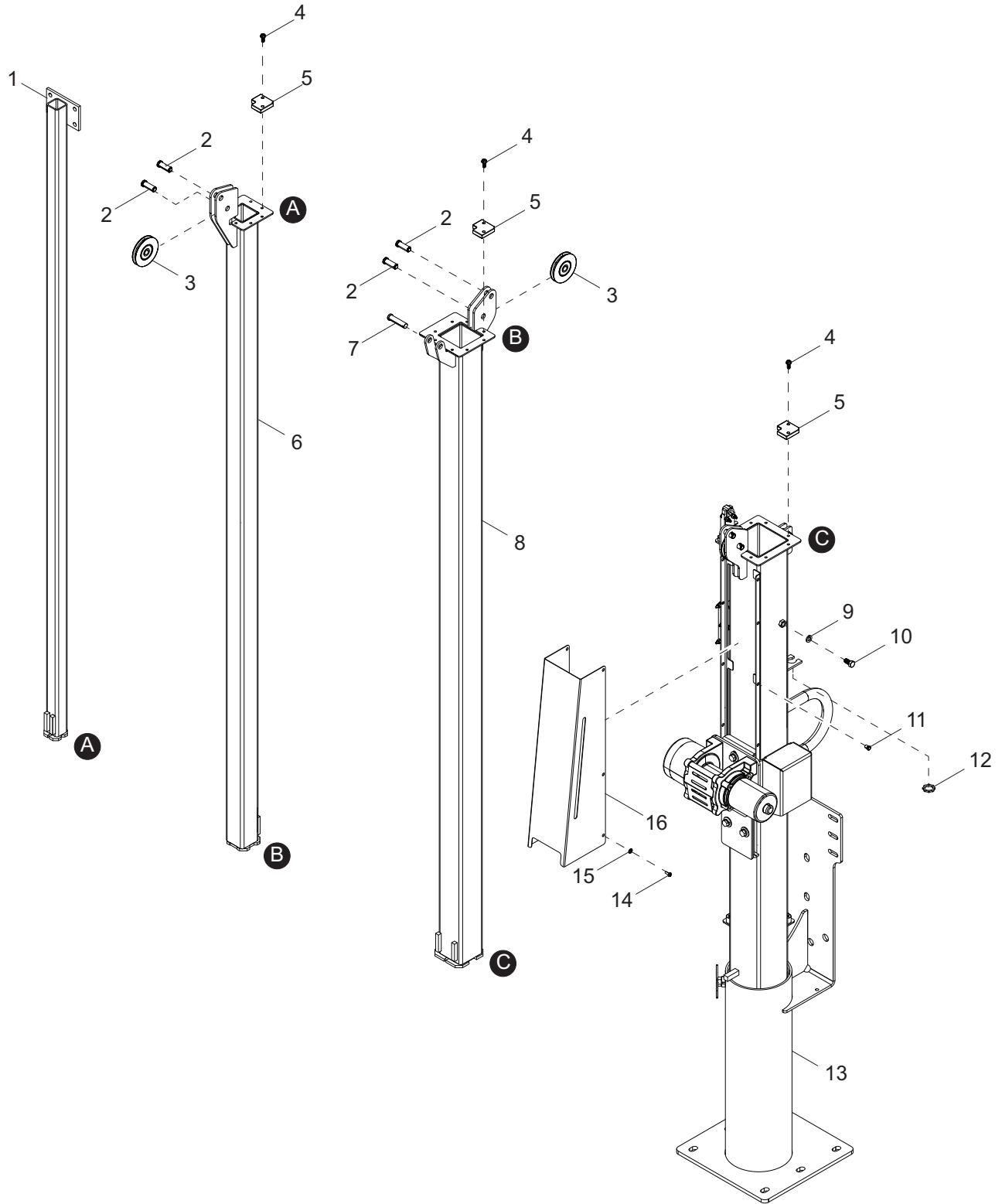


03475

MAST JUNCTION BOX ASSEMBLY

| Item | Part No. | Qty | Description | Notes |
|------|-------------|-----|--|-------|
| 1 | 10000023482 | 1 | DECAL, MAST JUNCTION BOX WIRING | |
| 2 | 15864 | 5 | STRAIN RELIEF, .500NPT WATER TIGHT | |
| 3 | 12094 | 1 | BOX, JUNCTION | |
| 4 | 66100 | 4 | CONNECTOR, 2 POSITION. | |
| 5 | 66102 | 2 | CONNECTOR, 5 POSITION. | |
| 6 | 60755 | 2 | FITTING, STRT .750MNPT X .500FNPT, NYLON | |
| 7 | 13749SRV | 1 | GASKET, JUNCTION BOX - HFI 281000 | |
| 8 | 12109 | 1 | COVER, BOX, 2-GANG PLASTIC | |
| 9 | 60424 | 4 | SCREW, 6-32 X .750 PAN PHILLIPS, G2 | |
| 10 | A0001533483 | 1 | ASSEMBLY, MAST JUNCTION BOX | |

MAST ASSEMBLY

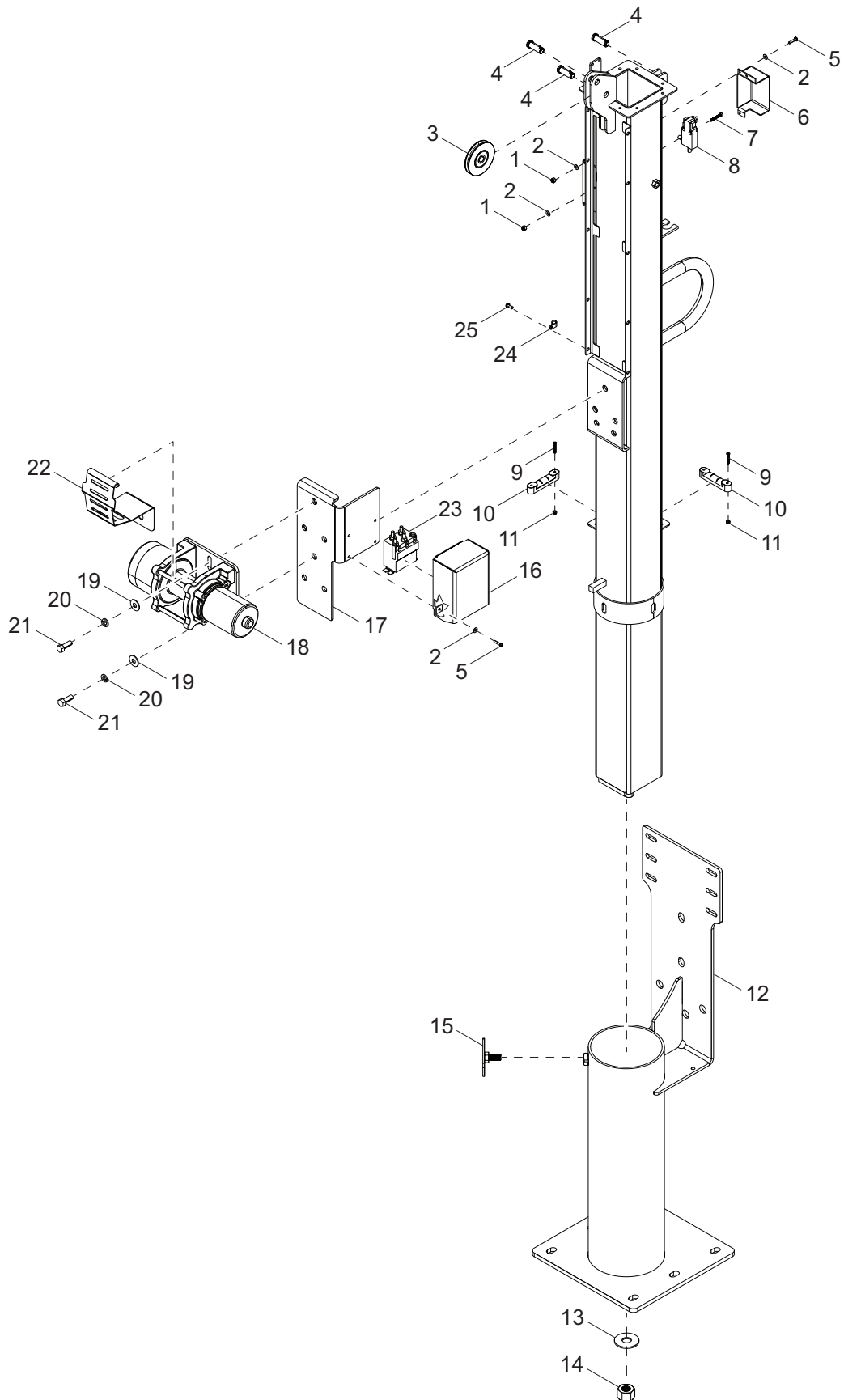


03792

MAST ASSEMBLY

| Item | Part No. | Qty | Description | Notes |
|------|-------------|-----|---|-----------------------|
| 1 | 31264B | 1 | WELDMENT, MAST - 1.50 | |
| 2 | 63325 | 4 | PIN, CLEVIS- .500 DIA X 1.063 UL, ZP(SLI | |
| 3 | 33736 | 2 | ASSY, PULLEY VERTICAL MAST | |
| 4 | 63358 | 24 | SCREW, .250-20X.625 HX WASH HD ZC | |
| 5 | 31225 | 12 | GUIDE | |
| 6 | 31261B | 1 | WELDMENT, MAST - 2.25 | |
| 7 | 35655 | 1 | PIN, CLEVIS- .500 DIA X 1.75 ZP(SLIC) | |
| 8 | A0002848667 | 1 | STB WELDMENT MAST 3.00 | |
| 9 | 60703 | 1 | WASHER, .375 SPLIT LOCK 18-8 SS | |
| 10 | 62269 | 1 | SCREW, .375-16X.75 STD HEX 18-8 SS, RED | |
| 11 | 32922 | 6 | INSERT, THD #10-32 SPLINED .020-.130 GR | |
| 12 | 15861 | 1 | NUT, SPECIAL, .500 NPT LOCK (LN101SC) | |
| 13 | A0002749456 | 1 | STB WELDMENT MAST 4.00 | |
| 14 | 60398 | 6 | SCREW, 10-32X.500 PAN PHIL18-8 SS | |
| 15 | 60067 | 6 | WASHER, #10 FLAT .435/.060 18-8 SS | |
| 16 | A0002860610 | 1 | STB CABLE GUARD, ELECTRIC WINCH | |
| -- | 39650 | 1 | COIL CORD, 120 IN TAIL | |
| -- | 31247 | 1 | CABLE - .188IN X 144 IN W/ BALL SWEDGE | Attaches to item 1 |
| -- | 31248 | 1 | CABLE - .188IN X 79.75IN W/BALL SWEDGE RED, | Attaches to item 6 |
| -- | 31277 | 1 | CABLE- .188IN X 78.00IN W/ BALL SWEDGE BLU | Attaches to item 8 |

MAST ASSEMBLY - BOTTOM POST

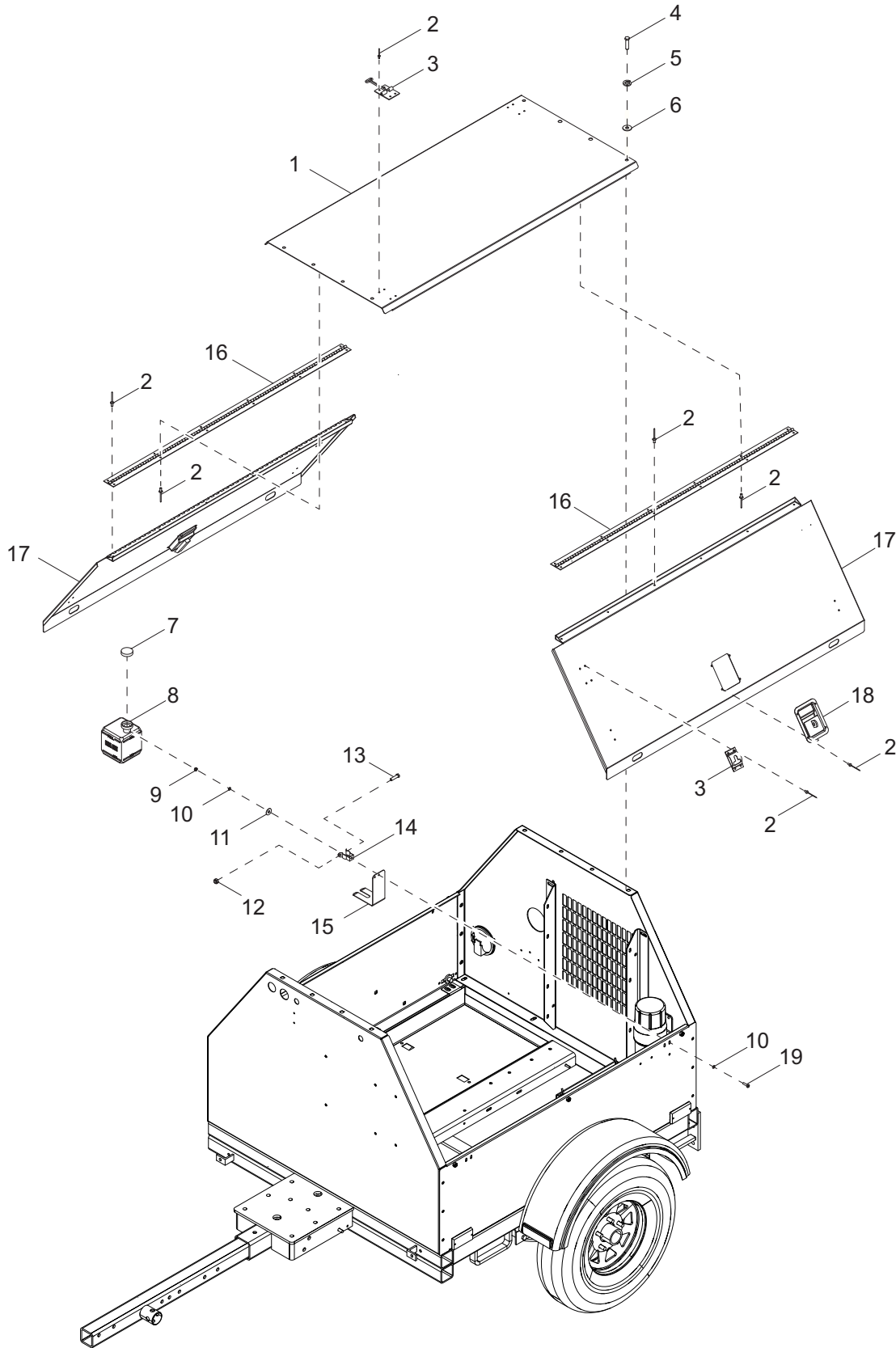


03791

MAST ASSEMBLY - BOTTOM POST

| Item | Part No. | Qty | Description | Notes |
|------|-------------|-----|--|-------|
| 1 | 60270 | 9 | NUT, 8-32 NYLK CLASS 6 ZC | |
| 2 | 60269 | 14 | WASHER, #8 FLAT .433/.036 ZC | |
| 3 | 33736 | 1 | ASSY, PULLEY VERTICAL MAST | |
| 4 | 63325 | 3 | PIN, CLEVIS- .500 DIA X 1.063 UL | |
| 5 | 60694 | 5 | SCREW, 8-32X.750 PAN PHIL 18-8 SS | |
| 6 | 37205B | 1 | COVER, UP LIMIT SWITCH | |
| 7 | 67190 | 2 | SCREW, 8-32x1.125 SOC HEX 18-8 SS | |
| 8 | 31739 | 1 | ASSY, UP STOP SWITCH MLT6S/8S | |
| 9 | A0000945464 | 4 | SCREW PFHM M4-0.7 X 25 18-8 SS | |
| 10 | A0000764090 | 2 | LEVEL- SPIRIT | |
| 11 | 60051 | 4 | NUT, M4-.70 NYLK G8.8 ZC DIN985 | |
| 12 | A0002741745 | 1 | STB WELDMENT, 4INCH MAST ROTATION TUB | |
| 13 | 60247 | 1 | WASHER, .750 FLAT 2.020/.130 ZC | |
| 14 | 60584 | 1 | NUT, .750-10 NYLK G5 YELLOW ZINC | |
| 15 | 10000018317 | 1 | STZY WELDMENT T HANDLE | |
| 16 | A0002848659 | 1 | ALB COVER, CONDUCTOR | |
| 17 | A0002848669 | 1 | STB WELDMENT PLATE, WINCH MOUNTING | |
| 18 | 12874 | 1 | WINCH, ELEC - 770LB HOIST (WARN DC800) | |
| 19 | 60386 | 6 | WASHER, .375 FLAT .993/.064 ZC | |
| 20 | 60206 | 6 | WASHER, .375 SPLIT LOCK HARDENED ZC | |
| 21 | 60205 | 6 | SCREW, .375-16X1.000 STD HEX G5 ZC | |
| 22 | A0002851411 | 1 | STB COVER, ELECTRIC WINCH | |
| 23 | 11293 | 1 | CONTACTOR, 12V ELECTRIC WINCH | |
| 24 | 60375 | 2 | CLAMP, TUBING - .312 LT DUTY | |
| 25 | 60268 | 2 | RIVET, .188 DIA X .126 TO .250 GRIP SS | |
| -- | 10770 | 1 | ASSY, WIRE - COIL CORD GROUND EXTENSION | |
| -- | 31742 | 1 | WIRE GROUP, ELECTRIC WINCH BOX, MLT6S/8S | |
| -- | 31743 | 1 | HARNESS, WINCH POWER CABLES, MLT6S/8S | |
| -- | A0003272208 | 1 | HARNESS, ELEC MAST CNTRL MLT4000 | |

ROOF AND DOORS TO UNIT

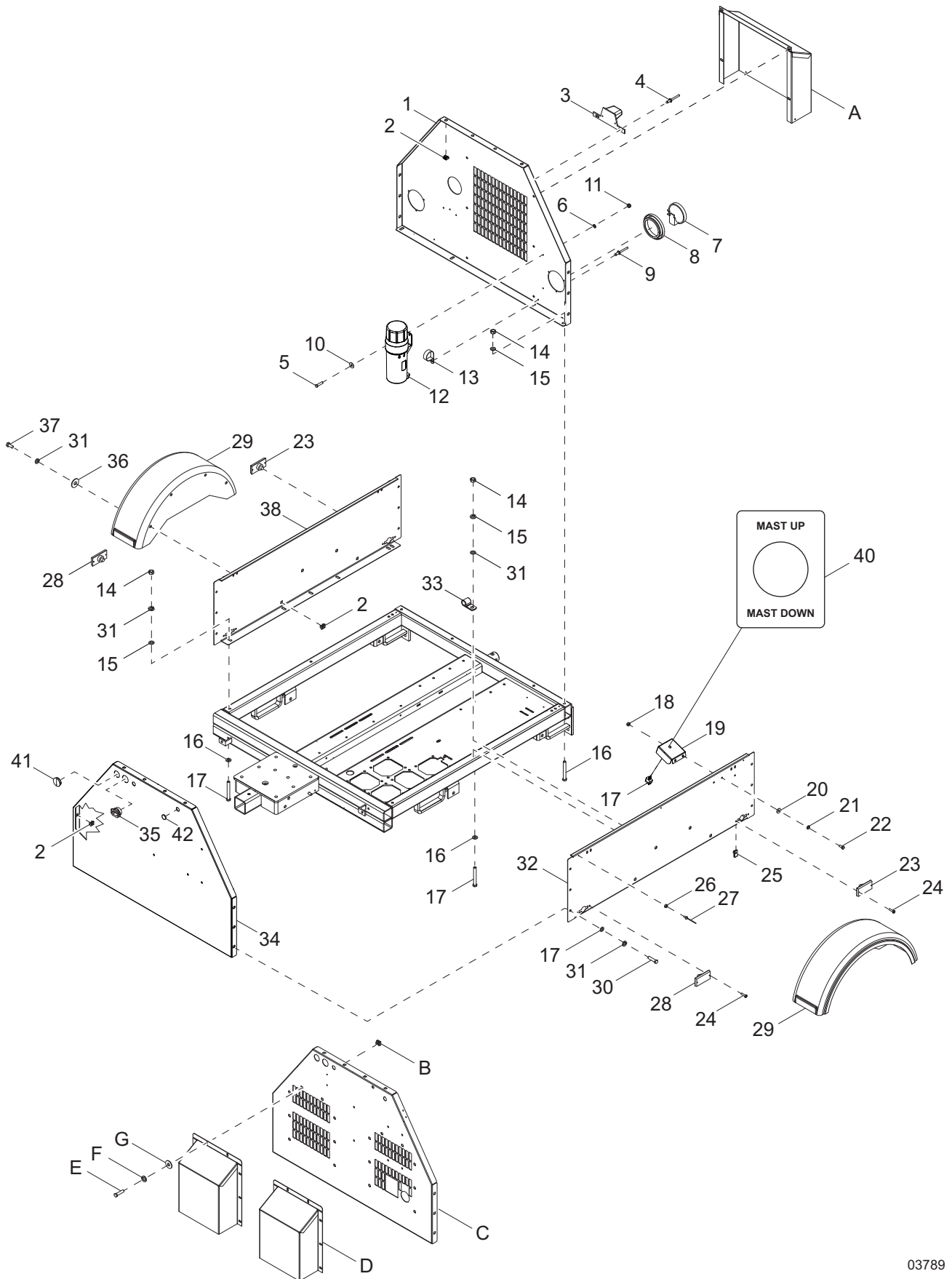


03790

ROOF AND DOORS TO UNIT

| Item | Part No. | Qty | Description | Notes |
|---------------------------------------|-------------|-----|--|-------|
| 1 | 16538W | 1 | PANEL, TOP | |
| 2 | 60268 | 48 | RIVET, .188 DIAMETER X .126 TO .250 GRIP, SS | |
| 3 | 12605 | 2 | LATCH, T-HANDLE, SS | |
| 4 | 60690 | 4 | SCREW, .375-16 X 1.0 STANDARD HEX, SS | |
| 5 | 60703 | 4 | WASHER, .375 SPLIT LOCK, SS | |
| 6 | 60698 | 4 | WASHER, .375 FLAT .875/.040, SS | |
| 7 | 19714 | 1 | CAP, OVERFLOW JUG | |
| 8 | 20287 | 1 | JUG, OVERFLOW | |
| 9 | 60061 | 1 | NUT, 10-32 NYLOCK | |
| 10 | 60067 | 2 | WASHER, #10 FLAT .435/.060, SS | |
| 11 | 60696 | 1 | WASHER, .250 FLAT .625/.050, SS | |
| 12 | 60144 | 1 | NUT, .250-20 NYLOCK, G5 | |
| 13 | 60414 | 1 | SCREW, .250-12 X 1.50 STANDARD HEX, G5 | |
| 14 | 19726 | 1 | CLAMP, OVERFLOW JUG | |
| 15 | 22419B | 1 | BRACKET, OVERFLOW JUG | |
| 16 | 16598 | 2 | HINGE, DOOR - .188 PIN, 48.5 INCH LONG | |
| 17 | 16591W | 2 | PANEL, DOOR | |
| 18 | A0000278989 | 2 | LATCH, PADDLE - 7 LB SPRING | |
| 19 | 61180 | 1 | SCREW, 10-32 X .750 PAN PHILLIPS, SS | |
| <i>Silent Pack: (if equipped)</i> | | | | |
| -- | 16739W | 2 | PANEL, DOOR | |

FRONT, REAR, AND SIDE PANELS TO UNIT

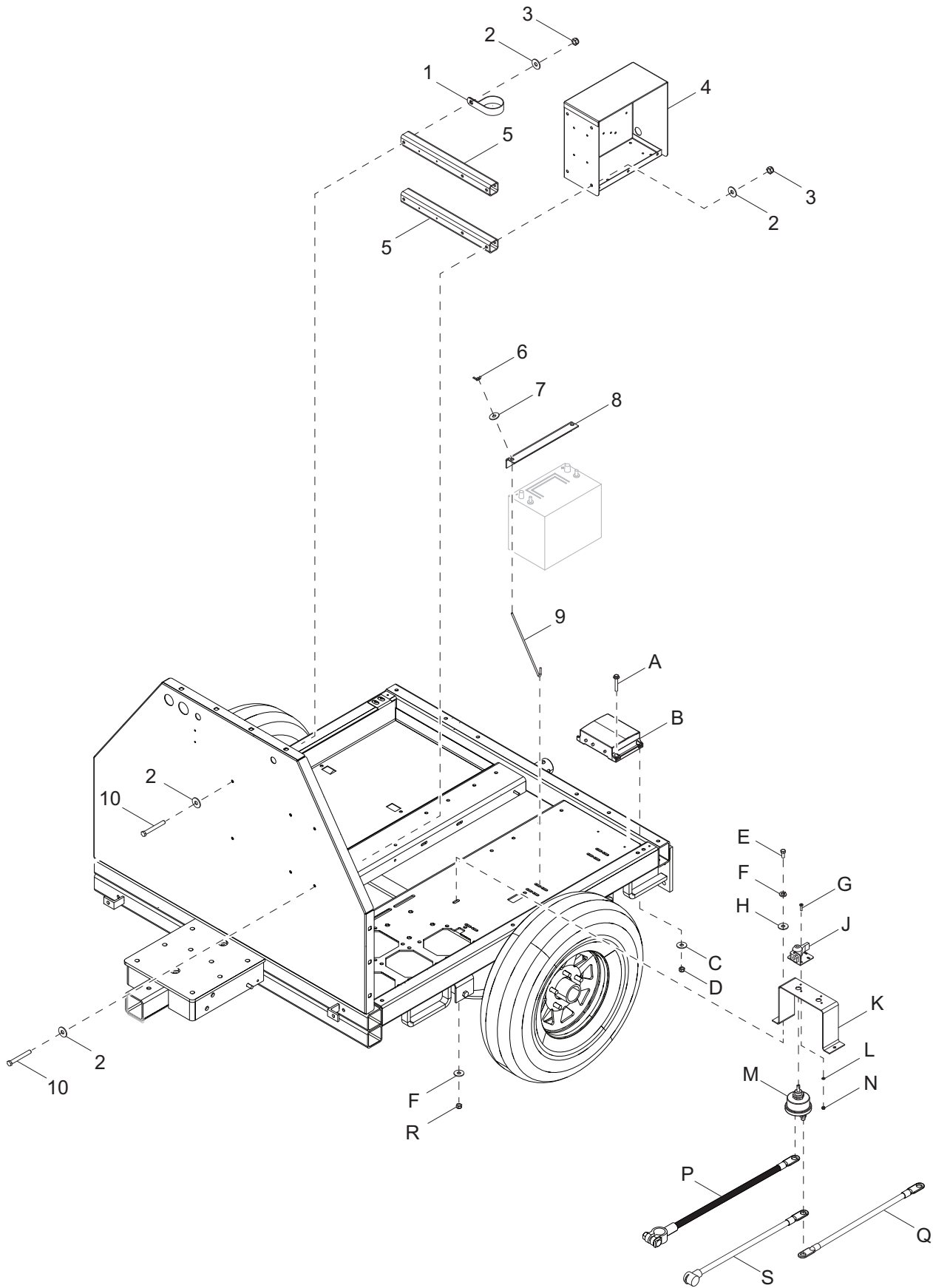


03789

FRONT, REAR, AND SIDE PANELS TO UNIT

| Item | Part No. | Qty | Description | Notes |
|-----------------------------------|-------------|-----|--|-------|
| 1 | 35500W | 1 | PANEL, REAR | |
| 2 | 60657 | 26 | NUT, .375-16 CAGE, G5, FOR 12 GA | |
| 3 | A0001478895 | 1 | ASSEMBLY, LICENSE PLATE HOLDER | |
| 4 | 60423 | 2 | RIVET, .188 DIAMETER X .250 TO .375 GRIP | |
| 5 | 60457 | 2 | NUT, 10-24 NYLOCK, G2 | |
| 6 | 60067 | 2 | WASHER, #10 FLAT .435/.060, SS | |
| 7 | A0001478886 | 2 | ASSY, REAR TAIL/TURN LIGHT, 3-WIRE W/ PLUG | |
| 8 | 10221 | 2 | GROMMET, REAR LIGHT, RUBBER | |
| 9 | 60268 | 2 | RIVET, .188 DIAMETER X .126 TO .250 GRIP, SS | |
| 10 | 60089 | 2 | WASHER, .265 FENDER 1.25/.060 | |
| 11 | 60540 | 2 | SCREW, 10-24 X .750 PAN PHILLIPS, SS | |
| 12 | 36988 | 1 | MANUAL HOLDER TUBE | |
| 13 | 15628 | 2 | CLAMP, WIRE - .38 PLASTIC | |
| 14 | 60140 | 10 | NUT, .375-16 HEX, G5 | |
| 15 | 60698 | 38 | WASHER, .375 FLAT .875/.040, SS | |
| 16 | 60689 | 10 | SCREW, .375-16 X 4.0 STANDARD HEX SS | |
| 17 | 65707 | 1 | SWITCH, TOGGLE - SPDT WEATHERPROOF | |
| 18 | 54169 | 2 | NUT, .25-20 NYLOCK | |
| 19 | A0003272457 | 1 | STB BRACKET MAST CONTROL SWITCH | |
| 20 | 60696 | 2 | WASHER, .250 FLAT .625/.050, SS | |
| 21 | 60704 | 2 | WASHER, .250 SPLIT LOCK, SS | |
| 22 | 60684 | 2 | SCREW, .250-20 X .875 STANDARD HEX, SS | |
| 23 | 66372 | 2 | LIGHT, CLEARANCE MARKER - RED | |
| 24 | 60694 | 8 | SCREW, 8-32 X .750 PAN PHILLIPS, SS | |
| 25 | 60730 | 8 | NUT, 8-32 U-CLIP | |
| 26 | 15215 | 6 | BUMPER, RUBBER | |
| 27 | 60267 | 6 | RIVET, .125 DIAMETER X .191 TO .270 GRIP | |
| 28 | 66373 | 2 | LIGHT, CLEARANCE MARKER - AMBER | |
| 29 | 16560 | 2 | FENDER, PLASTIC - 13 INCH TIRE | |
| 30 | 60690 | 22 | SCREW, .375-16 X 1.0 STANDARD HEX, SS | |
| 31 | 60703 | 36 | WASHER, .375 SPLIT LOCK, SS | |
| 32 | 35502W | 1 | PANEL, LEFT SIDE | |
| 33 | 60649 | 1 | CLAMP, TUBING - .750 HEAVY-DUTY | |
| 34 | 10000043625 | 1 | PANEL, FRONT | |
| 35 | 66425 | 1 | STRAIN RELIEF, 1.25 WITH NUT | |
| 36 | 60386 | 8 | WASHER, .375 FLAT .993/.064 | |
| 37 | 60295 | 8 | SCREW, .375-16 X .750 STANDARD HEX, SS | |
| 38 | 33240W | 1 | PANEL, RIGHT SIDE | |
| 39 | 54169 | 2 | NUT, .25-20 NYLOCK | |
| 40 | 33552 | 1 | DECAL, MAST UP/MAST DOWN | |
| 41 | A0003282295 | 1 | PLUG HOLE 1.66 DIA DOME WHITE PLASTIC | |
| 42 | 60733 | 2 | PLUG, HOLE .875 DIA WHITE | |
| <i>Silent Pack: (if equipped)</i> | | | | |
| A | 12189W | 1 | DUCT, RADIATOR GUARD | |
| B | 15425 | 16 | NUT, .312-18 CAGE | |
| C | A0002777824 | 1 | PANEL, FRONT | |
| D | 34783W | 2 | DUCT, FRONT | |
| E | 60507 | 16 | SCREW, .312-18 X 1.0 STANDARD HEX, SS | |
| F | 60701 | 16 | WASHER, .312 SPLIT LOCK, SS | |
| G | 60340 | 16 | WASHER, .312 FLAT .875/.040, SS | |

CONTROL BOX TO UNIT



03788

CONTROL BOX TO UNIT

| Item | Part No. | Qty | Description | Notes |
|------|-------------|-----|--|----------------------|
| 1 | 60649 | 1 | CLAMP, TUBING - .750 HEAVY DUTY | |
| 2 | 60340 | 12 | WASHER, .312 FLAT .875/.040, SS | |
| 3 | 60303 | 6 | NUT, .312-18 NYLOCK, G2 | |
| 4 | A0002936359 | 1 | CONTROL BOX | |
| 5 | 11543B | 2 | SPACER, CONTROL BOX | |
| 6 | 60090 | 2 | NUT, .250-20 WING, G5 | Included with item 9 |
| 7 | 60089 | 2 | WASHER, .265 FENDER 1.250/.060 | Included with item 9 |
| 8 | 12924B | 1 | ANGLE, BATTERY HOLD DOWN | |
| 9 | 14146 | 2 | BOLT, J .250-20 X 10.0 | |
| 10 | 62043 | 6 | SCREW, .312-18 X 2.25 STANDARD HEX, SS | |

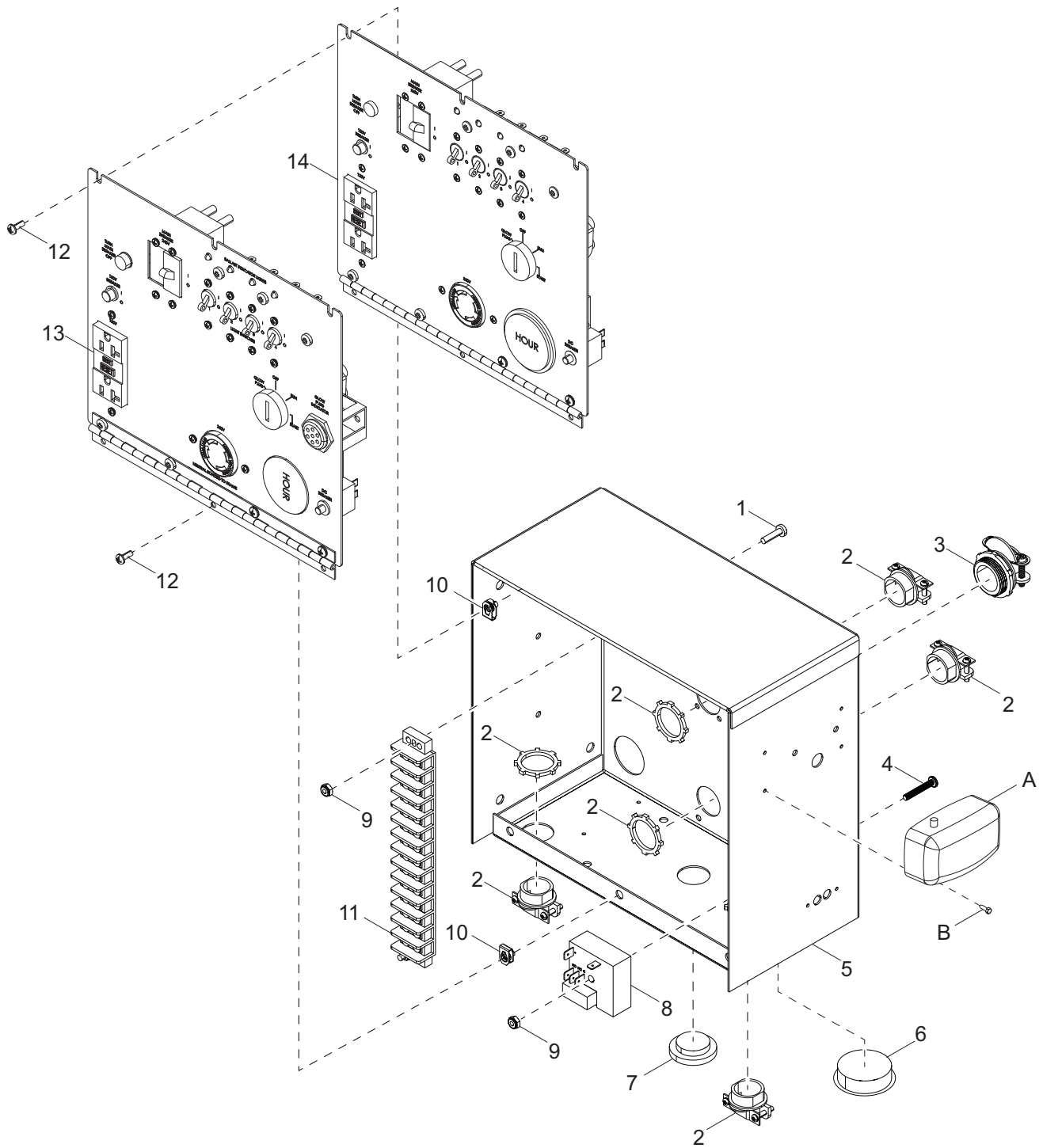
Battery Charger: (if equipped)

| | | | |
|----|-------|---|------------------------------------|
| A | 60062 | 4 | SCREW, 10-32X.750 PAN PHIL G2 ZC |
| B | 68836 | 1 | BATTERY CHARGER12VDC, W/HARNESS |
| C | 60067 | 4 | WASHER, #10 FLAT .435/.060 18-8 SS |
| D | 60061 | 4 | NUT, 10-32 NYLK ZC |
| -- | 21259 | 1 | DECAL, BATTERY CHARGER |

Battery Disconnect: (if equipped)

| | | | |
|---|--------|---|--|
| E | 60028 | 2 | SCREW, .312-18 X 1.0 STANDARD HEX, G5 |
| F | 60271 | 2 | WASHER, .312 SPLIT LOCK |
| G | 60277 | 2 | SCREW, 10-32 X .500 PAN PHILLIPS, G2 |
| H | 60119 | 2 | WASHER, .312 FLAT .875/.070 |
| J | 65499 | 1 | ASSEMBLY, SWITCH LOCKOUT LEVER |
| K | 13654B | 1 | BRACKET, BATTERY DISCONNECT |
| L | 60067 | 2 | WASHER, #10 FLAT .435/.060, SS |
| M | 65498 | 1 | SWITCH, DISCONNECT |
| N | 60061 | 2 | NUT, 10-32 NYLOCK |
| P | 15073 | 1 | CABLE, BATTERY - 24 INCH. 4GA BLACK |
| Q | 69896 | 1 | CABLE, BATTERY JUMPER - 33 INCH. 4GA RED |
| R | 60303 | 2 | NUT, .312-18 NYLOCK, G2 |
| S | 66906 | 1 | CABLE, BATTERY - 18 IN 4GA RED W/BOOT |

CONTROL BOX ASSEMBLY- ANALOG

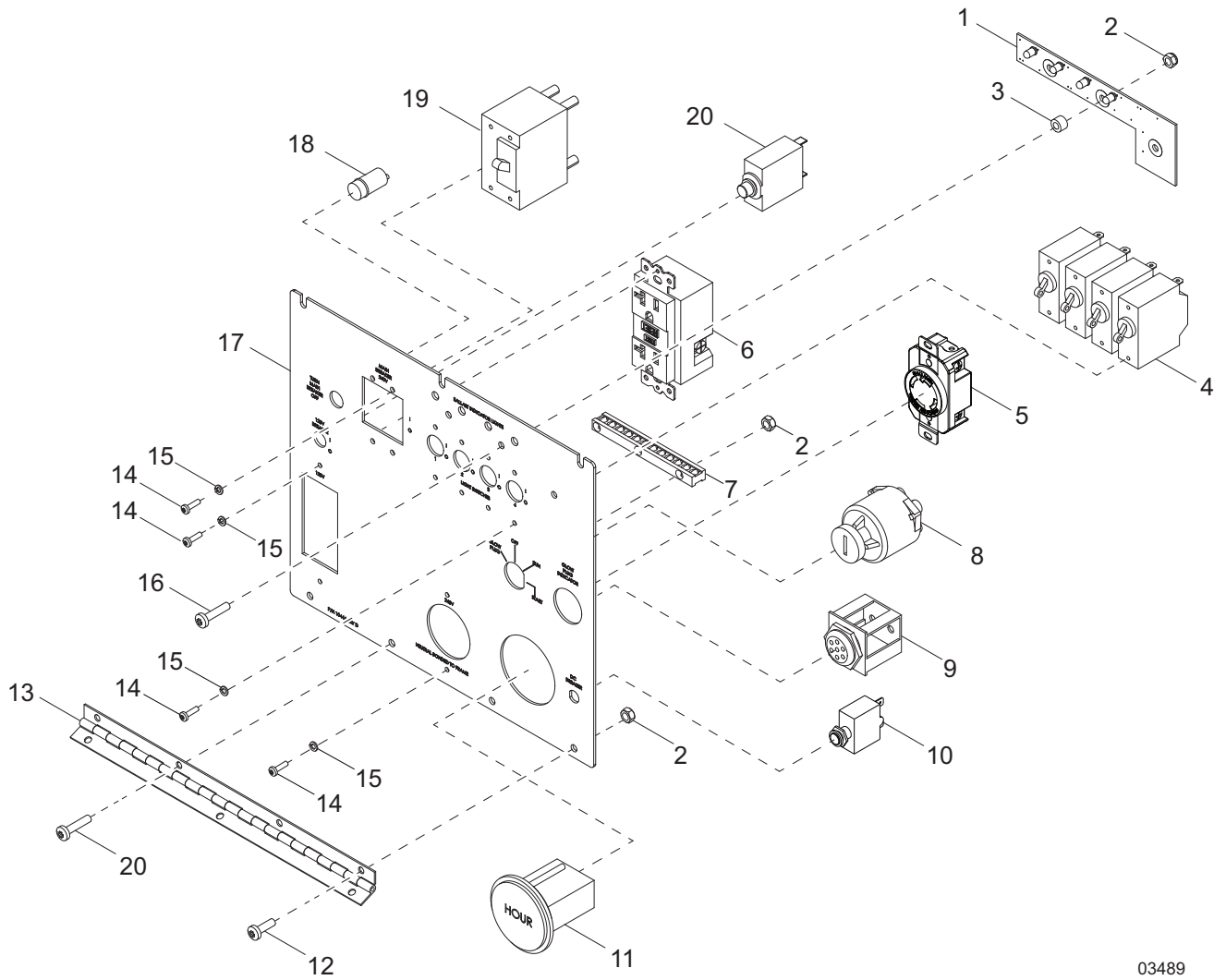


03787

CONTROL BOX ASSEMBLY - ANALOG

| Item | Part No. | Qty | Description | Notes |
|--------------------------------------|-------------|-----|--|---------------|
| 1 | 60062 | 2 | SCREW, 10-32 X .750 PAN PHILLIPS, G2 | |
| 2 | 14219 | 4 | STRAIN RELIEF, .750 ROMEX | |
| 3 | 65490 | 1 | STRAIN RLF, 1.00 ROMEX W/NUT | |
| 4 | 60396 | 1 | SCREW, 10-32 X 1.250 PAN PHILLIPS, G2 | |
| 5 | A0002936359 | 1 | STB BOX CONTROL - MLT4000 | |
| 6 | 61037 | 1 | PLUG, HOLE 1.75 DIA BLACK | |
| 7 | 60746 | 1 | PLUG, HOLE 1.094 RECESSED - BLACK | |
| 8 | 14201 | 1 | RELAY, 10A SPDT 12VDC - 15 SEC. TIME DELAY | |
| 9 | 60061 | 4 | NUT, 10-32 NYLOCK | |
| 10 | 63105 | 6 | NUT, 8-32 U-CLIP, G5 | |
| 11 | 66013 | 1 | BLOCK, TERMINAL 14 POSITION, 30A, 600V | |
| 12 | 60526 | 6 | SCREW, 8-32 X .500 PAN PHILLIPS, G2 | |
| 13 | A0003469182 | 1 | ASSY-PANEL-SUB CONTROL | MLT4060MV |
| 14 | A0003469862 | 1 | ASSY-PANEL-SUB CONTROL | MLT4060/80MK |
| -- | A0003469866 | 1 | ASSY-PANEL-SUB CONTROL | Items 1-12,14 |
| -- | A0003470090 | 1 | ASSY-PANEL-SUB CONTROL | Items 1-13 |
| <i>Interior Light: (if equipped)</i> | | | | |
| A | 11947 | 1 | LIGHT, INTERIOR W/SWITCH | |
| B | 60364 | 4 | SCREW, 10-16 X .500 STANDARD HEX, G2, | |

CONTROL PANEL ASSEMBLY - ANALOG

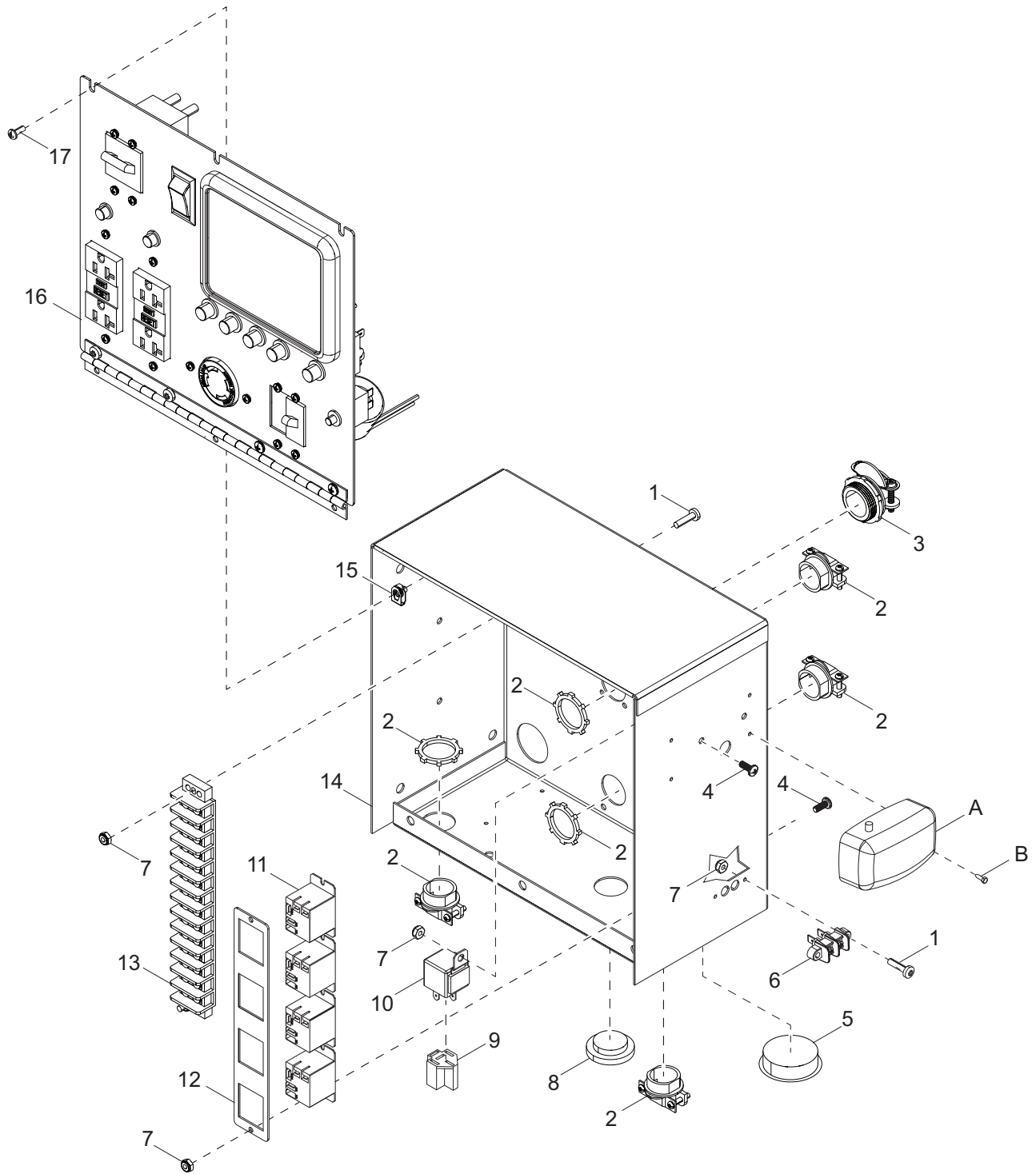


03489

CONTROL PANEL ASSEMBLY - ANALOG

| Item | Part No. | Qty | Description | Notes |
|------|-------------|-----|---|--------------|
| 1 | 66423 | 1 | PCB, LED LIGHTS W/CONNECTOR | |
| 2 | 60061 | 7 | NUT, 10-32 NYLOCK | |
| 3 | 66257 | 3 | SPACER, .2 ID X .375 OD X .25 LONG, PLASTIC | |
| 4 | 14249 | 4 | BREAKER, 15A, 120V, 1-POLE | |
| 5 | 65488 | 1 | RECEPTACLE, 240V/30A TWIST-LOCK | |
| 6 | 14130 | 1 | RECEPTACLE, 120V/20A GFI | |
| 7 | 14204 | 1 | KIT, GROUND BAR | |
| 8 | 15195SRV | 1 | SWITCH, KEY | |
| 9 | 16694SRV | 1 | GLOW PLUG INDICATOR | MLT4060MV |
| 10 | 65850 | 1 | BREAKER, 10A, 240V, 1-POLE, PUSH BUTTON | |
| 11 | 15085 | 1 | GAUGE, HOUR METER | |
| 12 | 60277 | 2 | SCREW, 10-32 X .500 PAN PHILLIPS, G2 | |
| 13 | 13677 | 1 | HINGE, CONTINUOUS - 11 IN | |
| 14 | 60405 | 16 | SCREW, 6-32 X .250 PAN PHILLIPS, G2 | |
| 15 | 60058 | 16 | WASHER, #6 SPLIT LOCK | |
| 16 | 60062 | 5 | SCREW, 10-32 X .750 PAN PHILLIPS, G2 | |
| 17 | A0002957109 | 1 | PANEL CONTROL - MLT4060 MITSU ANALOG | MLT4060MV |
| | A0002957108 | 1 | PANEL CONTROL MLT4060 KUB ANALOG | MLT4060/80KV |
| 18 | 65388 | 1 | LIGHT, INDICATOR RED, 12VDC | |
| 19 | 65963 | 1 | BREAKER, 30A, 250V, 2-POLE, STUD TERMINAL | |
| 20 | 65849 | 1 | BREAKER, 10A, 120V, 1-POLE, PUSH BUTTON | |
| -- | 35267 | 1 | WIRE GROUP - 20A GFCI | |
| -- | A0001349805 | 1 | WIRE GROUP - 30A TWIST-LOCK | |
| -- | 35269 | 1 | WIRE GROUP - LIGHT SWITCHES | |
| -- | 35266 | 1 | WIRE GROUP - LED LIGHT BOARD | |
| -- | 35271 | 1 | WIRE GROUP - 6KW CONTROL BOX | |
| -- | 35270 | 1 | WIRE GRP, 6KW KUBOTA LT TOWER CNTRL BOX | MLT4060MV |
| -- | 68441 | 1 | WIRE GP,6KW MITSU/KUB LT TOWER CNTRL BOX | MLT4060/80KV |

CONTROL BOX ASSEMBLY - POWERZONE (IF EQUIPPED)

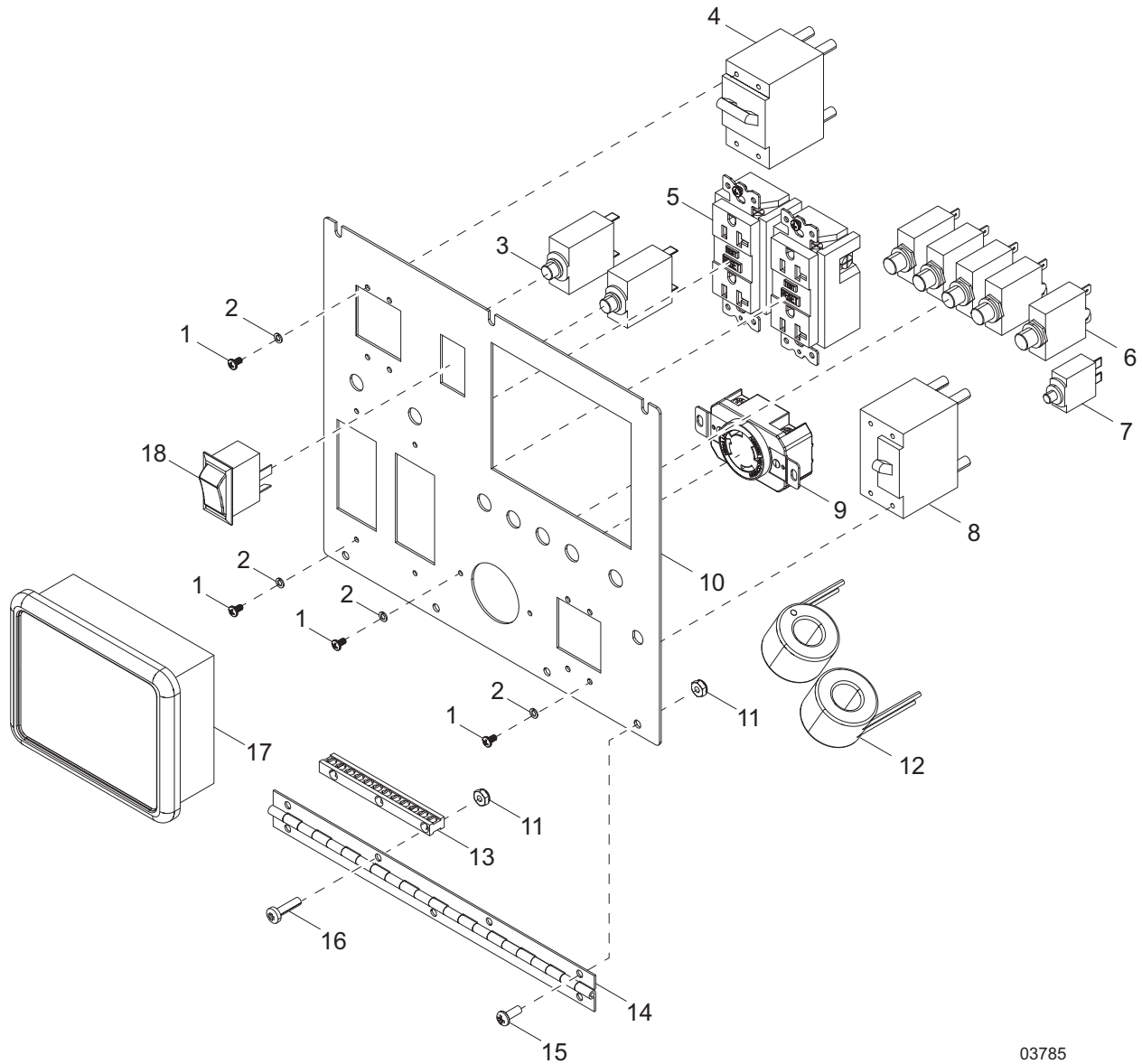


03786

CONTROL BOX ASSEMBLY- POWERZONE (IF EQUIPPED)

| Item | Part No. | Qty | Description | Notes |
|--------------------------------------|-------------|-----|--|----------------|
| 1 | 60062 | 6 | SCREW, 10-32 X .750 PAN PHILLIPS, G2 | |
| 2 | 14219 | 5 | STRAIN RELIEF - .750 ROMEX W/NUT | |
| 3 | 65490 | 1 | STRAIN RLF, 1.00 ROMEX W/NUT | |
| 4 | 60277 | 6 | SCREW, 10-32 X .500 PAN PHILLIPS, G2 | |
| 5 | 61037 | 1 | PLUG, HOLE 1.75 DIA BLACK | |
| 6 | 68080 | 1 | BLOCK, TERMINAL - 2 POSITION | |
| 7 | 60061 | 6 | NUT, 10-32 NYLK Z | |
| 8 | 60746 | 2 | PLUG, HOLE 1.094 RECESSED - BLACK | |
| 9 | 65096 | 1 | PLUG, RELAY RECEPTACLE | |
| 10 | 65049 | 1 | RELAY, 12V 30/40A N.O. W/DIODE | |
| 11 | 29759 | 4 | RELAY,12V COIL,120-240 VAC RATED | |
| 12 | 38447B | 1 | BRACKET, RELAY | |
| 13 | 66013 | 1 | BLOCK, TERMINAL - 14 POSITION, 30A, 600V | |
| 14 | A0002936359 | 1 | STB BOX CONTROL - MLT4000 | |
| 15 | 63105 | 6 | NUT, 8-32 U-CLIP, G5 | |
| 16 | 69836 | 1 | ASSEMBLY, CONTROL PANEL 6KW PZ | <i>Page 30</i> |
| 17 | 60526 | 6 | SCREW, 8-32 X .500 PAN PHILLIPS, G2 | |
| -- | 10000045317 | 1 | HARNESS ENG MITSU MLTX060 ELEC GOV PZ | |
| -- | 68197 | 1 | WIRE GRP, ENGINE HARNESS PZ | |
| -- | 69862 | 2 | ASSY, GENERATOR HARNESS - 6KW 60HZ | |
| -- | 68752 | 1 | WIRE GROUP, BOX MLT | |
| <i>Interior Light: (if equipped)</i> | | | | |
| A | 11947 | 1 | LIGHT, INTERIOR W/SWITCH | |
| B | 60364 | 4 | SCREW, 10-16 X .500 STANDARD HEX, G2 | |

CONTROL PANEL ASSEMBLY - POWERZONE (IF EQUIPPED)



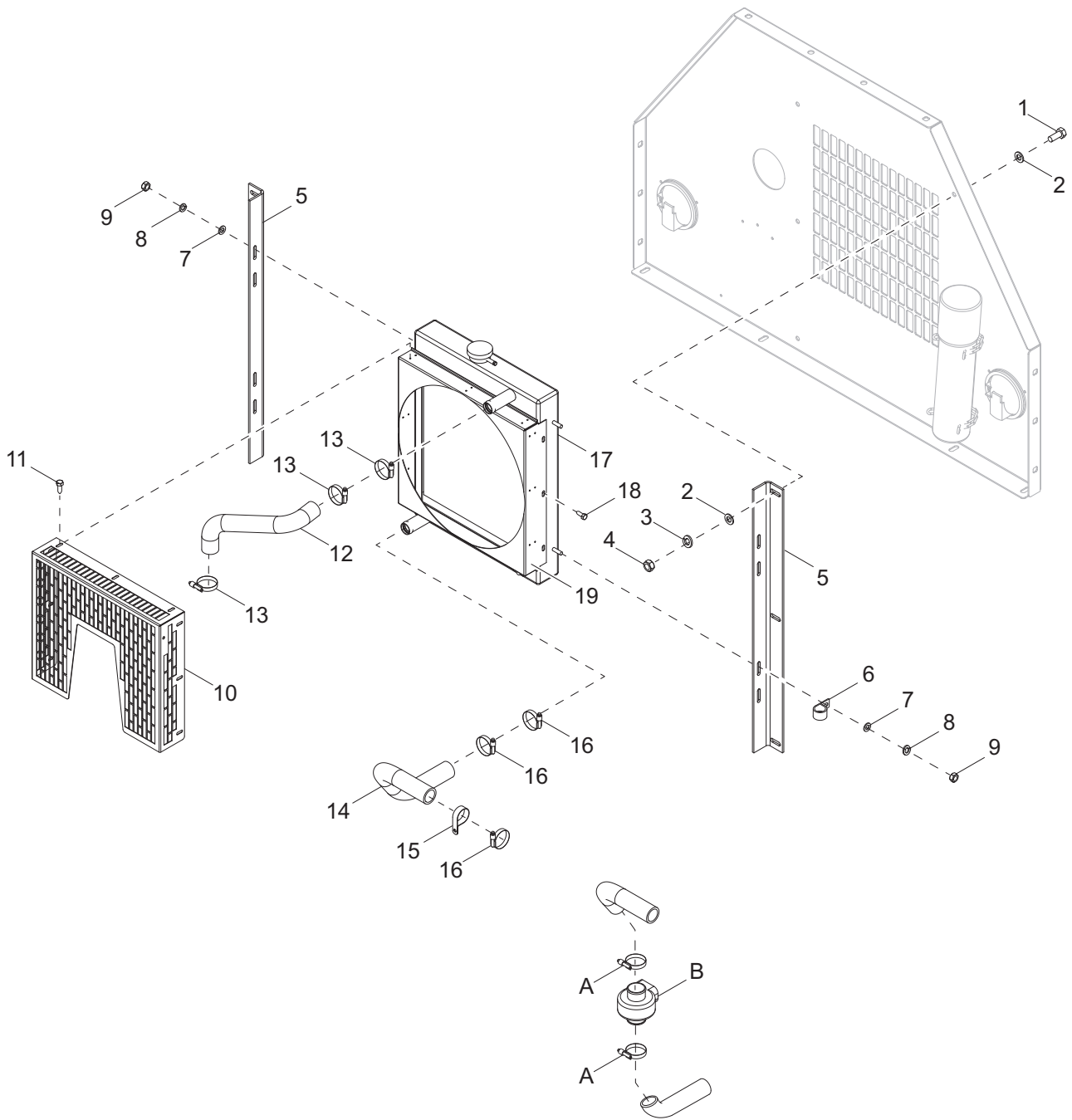
03785

CONTROL PANEL ASSEMBLY - POWERZONE (IF EQUIPPED)

| Item | Part No. | Qty | Description | Notes |
|------|-------------|-----|---|-------|
| 1 | 60405 | 16 | SCREW, 6-32 X .250 PAN PHILLIPS, G2 | |
| 2 | 60058 | 16 | WASHER, #6 SPLIT LOCK | |
| 3 | 65849 | 2 | BREAKER, 10A, 120V, 1-POLE, PUSH BUTTON | |
| 4 | 65963 | 1 | BREAKER, 30A, 250V, 2-POLE, STUD TERMINAL | |
| 5 | 14130 | 2 | RECEPTACLE, 120V/20A GFI (5-20R) UL 2003 | |
| 6 | 15568 | 5 | BREAKER, 15A 120V 1 POLE - PUSH BUTTON | |
| 7 | 65850 | 1 | BREAKER, 10A, 240V, 1-POLE PUSH BUTTON | |
| 8 | 65849 | 2 | BREAKER, 10A, 120V, 1-POLE, PUSH BUTTON | |
| 9 | 65488 | 1 | ASSEMBLY, 30A TWIST LOCK L14 R | |
| 10 | A0002930726 | 1 | PANEL CONTROL - MLT4080-PZ | |
| 11 | 60061 | 4 | NUT, 10-32 NYLK ZC | |
| 12 | 66255 | 2 | TRANSFORMER, CURRENT 100:5 WIRES | |
| 13 | 14204 | 1 | KIT, GROUND BAR | |
| 14 | 13677 | 1 | HINGE, CONTINUOUS - 11 IN | |
| 15 | 60277 | 2 | SCREW, 10-32 X .500 PAN PHILLIPS, G2 | |
| 16 | 60062 | 2 | SCREW, 10-32X.750 PAN PHIL G2 ZC | |
| 17 | CALL* | 1 | CONTROLLER, DEEP SEA L401-002-A3 MLT6/8KW | |
| 18 | 66995 | 1 | SWITCH, ROCKER DPST ON-OFF | |

Note: *To order replacement controller, contact Generac Mobile Products with unit serial number

COOLING SYSTEM ASSEMBLY

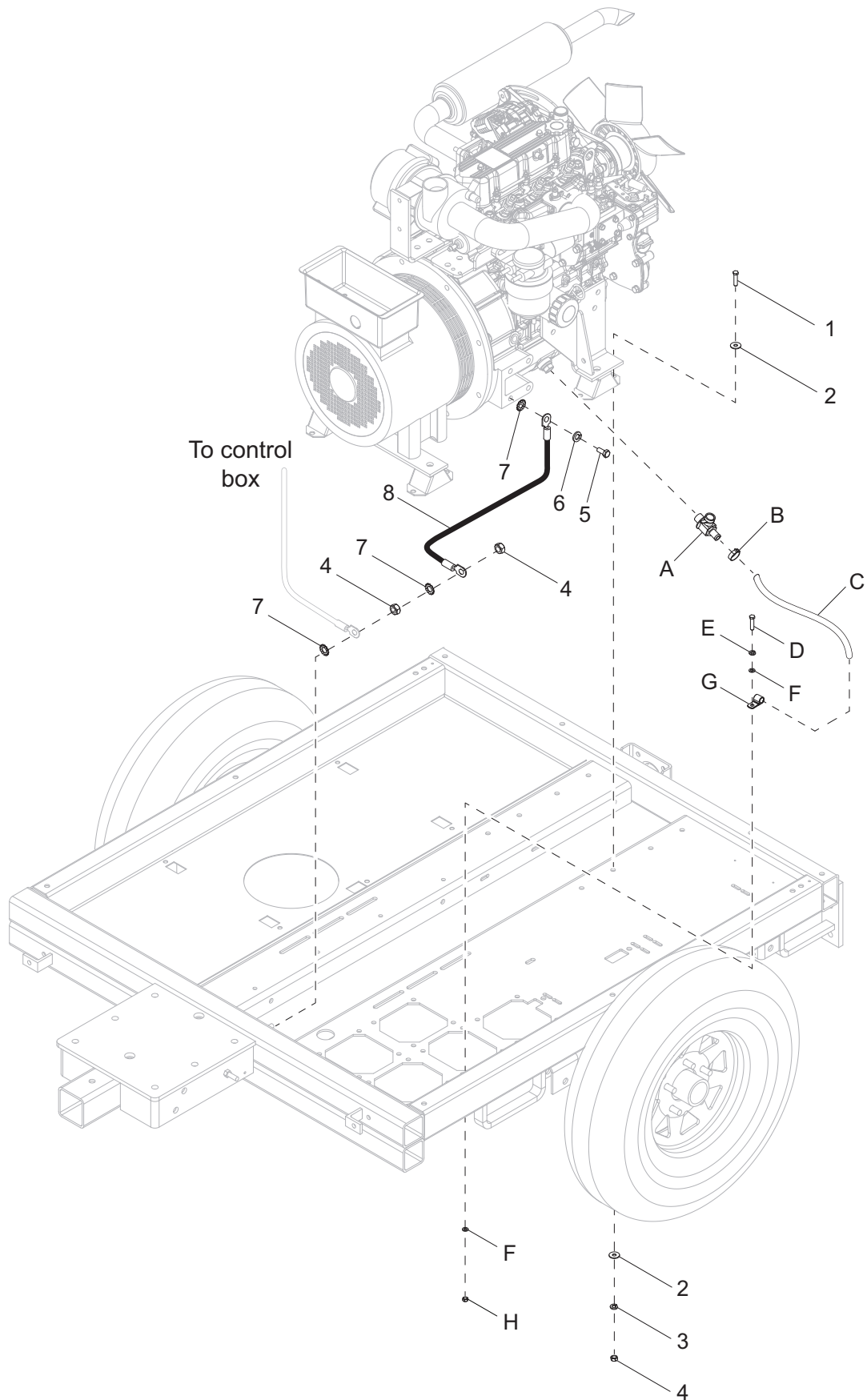


01166

COOLING SYSTEM ASSEMBLY

| Item | Part No. | Qty | Description | Notes |
|-------------------------------------|-------------|-----|---|-------------------|
| 1 | 60690 | 6 | SCREW, .375-16 X 1.0 STANDARD HEX, SS | |
| 2 | 60698 | 12 | WASHER, .375 FLAT .875/.040, SS | |
| 3 | 60703 | 6 | WASHER, .375 SPLIT LOCK, SS | |
| 4 | 60140 | 6 | NUT, .375-16 HEX, G5 | |
| 5 | 11683B | 2 | BRACKET, RADIATOR | |
| 6 | 15627 | 2 | CLAMP, TUBING - .625 HEAVY DUTY | |
| 7 | 60119 | 4 | WASHER, .312 FLAT .875/.070 | |
| 8 | 60271 | 4 | WASHER, .312 SPLIT LOCK | |
| 9 | 60032 | 4 | NUT, M8-1.25 HEX, G8.8 | |
| 10 | A0000214702 | 1 | STB FAN GUARD MLTX060M G2 L3E | |
| 11 | 60364 | 9 | SCREW, 10-16 X .500 STD HEX, G2, SELF-TAP | |
| 12 | 16687 | 1 | HOSE, RADIATOR - UPPER | MLT4060/80KV only |
| -- | 32383SRV | 1 | HOSE, RADIATOR - UPPER | MLT4060MV only |
| 13 | 60316 | 2 | CLAMP, HOSE - SAE 032 (1.56-2.50) | MLT4060/80KV only |
| -- | 15422 | 2 | CLAMP, HOSE - SAE 020 (.75-1.75) | MLT4060MV only |
| 14 | 12350 | 1 | HOSE, RADIATOR - LOWER | MLT4060/80KV only |
| -- | 16688SRV | 1 | HOSE, RADIATOR - LOWER | MLT4060MV only |
| 15 | 60716 | 1 | CLAMP, TUBING - 1.50 LIGHT DUTY | MLT4060/80KV only |
| 16 | 15422 | 2 | CLAMP, HOSE - SAE 020 (.75-1.75) | |
| 17 | A0000335661 | 1 | RADIATOR, W/FAN GUARD - WELDED | |
| 18 | 60115 | 6 | SCREW, M6-1.00X12 SFLG HEX G8.8 ZC | |
| 19 | A0000175263 | 1 | STB SHROUD FAN ML | |
| <i>Engine Heater: (if equipped)</i> | | | | |
| A | 15422 | 2 | CLAMP, HOSE - SAE 020 (.75-1.75) | |
| B | 65649 | 1 | HEATER, ENGINE - LOWER RADIATOR HOSE | |

ENGINE AND GENERATOR TO UNIT

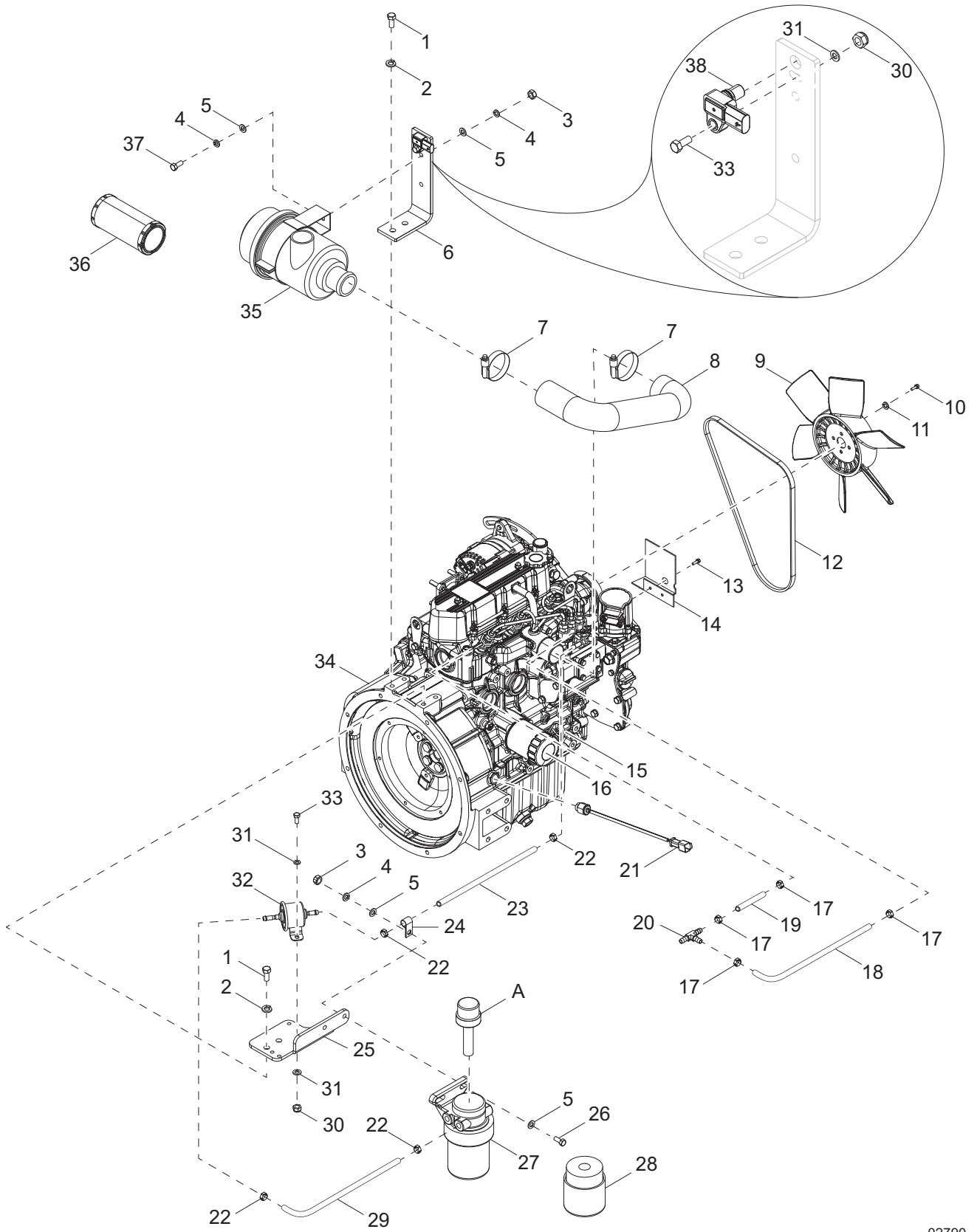


01167

ENGINE AND GENERATOR TO UNIT

| Item | Part No. | Qty | Description | Notes |
|-----------------------------------|-------------|------|---|-------------------|
| 1 | 60205 | 8 | SCREW, .375-16 X 1.0 STANDARD HEX, G5 | |
| 2 | 60698 | 16 | WASHER, .375 FLAT .875/.040, SS | |
| 3 | 60206 | 8 | WASHER, .375 SPLIT LOCK | |
| 4 | 60140 | 10 | NUT, .375-16 HEX, G5 | |
| 5 | 60495 | 1 | SCREW, M10-1.25 X 16 - STANDARD HEX, G8.8 | |
| 6 | 60026 | 1 | WASHER, M10 - SPLIT LOCK | |
| 7 | 60747 | 3 | WASHER, .375 INTERNAL STAR | |
| 8 | 16155 | 1 | ASSEMBLY, WIRE - ENGINE/CHASSIS GROUND | |
| <i>Drain Valve: (if equipped)</i> | | | | |
| A | 60774 | 1 | VALVE, DRAIN 22MM - 1.5 WITH NIPPLE | MLT4060/80KV only |
| -- | 60766 | 1 | VALVE, DRAIN 18MM - 1.5 WITH NIPPLE | MLT4060MV only |
| B | 60365 | 1 | CLAMP, HOSE - SAE 010 (.56-1.06) | |
| C | 50201 | 3 ft | HOSE, .625 INCH, 200 PSI, CLASS A | MLT4060/80KV only |
| -- | A0001533482 | 1 | HOSE, OIL DRAIN, .375 X 20, SAE 30R7 | MLT4060MV only |
| D | 60205 | 1 | SCREW, .375-16 X 1.0 STANDARD HEX, G5 | MLT4060/80KV only |
| E | 60206 | 1 | WASHER, .375 FLAT .875/.040, SS | MLT4060/80KV only |
| F | 60698 | 2 | WASHER, .375 FLAT .875/.040, SS | MLT4060/80KV only |
| G | 60716 | 1 | CLAMP, TUBING - 1.50 LIGHT-DUTY | MLT4060/80KV only |
| H | 60144 | 1 | NUT, .25-20 NYLOCK, G5 | MLT4060/80KV only |
| <i>Silent Pack: (if equipped)</i> | | | | |
| -- | 18496 | 1 | FITTING, BUSHING - 2.50 OD X 2.0 ID | |
| -- | 50709 | 3 ft | HOSE, .625 INCH., 300 PSI | |
| -- | 60498 | 1 | FITTING, PLUG - .750NPT SQUARE DRIVE | |
| -- | 60774 | 1 | VALVE, DRAIN WITH NIPPLE | |
| -- | 60365 | 2 | CLAMP, HOSE - SAE 010 (.56-1.06) | |
| -- | 28213 | 1 | FITTING, .750NPT STREET ELBOW | |
| -- | 62076 | 1 | FITTING, STRAIGHT - .750MNPT X .625 BARB | |

ENGINE ASSEMBLY - MITSUBISHI LEFT SIDE



02790

ENGINE ASSEMBLY - MITSUBISHI LEFT SIDE

| Item | Part No. | Qty | Description | Notes |
|------|-------------|---------|---|------------------|
| 1 | 60422 | 4 | SCREW, M10-1.25 X 25 STANDARD HEX, G8.8 | |
| 2 | 60026 | 4 | WASHER, M10 SPLIT LOCK | |
| 3 | 60285 | 6 | NUT, .312-18 HEX, G2 | |
| 4 | 60271 | 6 | WASHER, .312 SPLIT LOCK | |
| 5 | 60119 | 8 | WASHER, .312 FLAT .875/.070 | |
| 6 | 10000045650 | 1 | BRACKET, AIR CLEANER - BLACK | |
| 7 | 60316 | 2 | CLAMP, HOSE - SAE 032 (1.56-2.50) | |
| 8 | 16589 | 1 | HOSE, AIR CLEANER | |
| 9 | 16742 | 1 | FAN, MITSUBISHI | |
| 10 | 63288 | 4 | SCREW, M6-1.0 X 12 PAN HEAD, G8.8 | |
| 11 | 60286 | 4 | WASHER, .250 SPLIT LOCK | |
| 12 | 16692 | 1 | V-BELT, MITSUBISHI | |
| 13 | N/A | 2 | BOLT W/WASHER | |
| 14 | 11691SRV | 1 | BRACKET, LOWER RADIATOR HOSE GUARD | |
| 15 | 11148 | 1 | DIPSTICK, OIL | |
| 16 | 70124 | 1 | FILTER, OIL | |
| 17 | 60778 | 4 | CLAMP, HOSE - .188, CRIMP STYLE | |
| 18 | 14211 | 1.04 ft | HOSE, FUEL - .188 ID, 50 PSI, SAE 30R7 | |
| 19 | 14211 | .16 ft | HOSE, FUEL - .188 ID, 50 PSI, SAE 30R7 | |
| 20 | 17145 | 1 | FITTING, TEE - .188 X .188 X .188 BARB, NYLON | |
| 21 | A0000116158 | 1 | PICK-UP, MAG | |
| 22 | 60777 | 4 | CLAMP, HOSE - .312, CRIMP STYLE | |
| 23 | 50018 | 1 ft | HOSE, FUEL - .312 ID, 50 PSI, SAE 30R7 | |
| 24 | 60649 | 1 | CLAMP, TUBING - .750 HEAVY-DUTY | |
| 25 | 10000044996 | 1 | BRACKET, FUEL FILTER/PUMP, BLACK | |
| 26 | 60256 | 2 | SCREW, .312-18 X 1.5 STANDARD HEX, G5 | |
| 27 | 10000022110 | 1 | FILTER, FUEL HEAD AND ELEMENT | includes element |
| 28 | A0000430610 | 1 | FILTER, FUEL, ELEMENT | |
| 29 | 50018 | 1.04 ft | HOSE, FUEL - .312 ID, 50 PSI, 30R7 | |
| 30 | 60144 | 3 | NUT, .250-20 NYLOCK, G5 | |
| 31 | 60243 | 5 | WASHER, .250 FLAT .735/.060 | |
| 32 | 13278SRV | 1 | FUEL PUMP, ELECTRIC | |
| 33 | 60393 | 3 | SCREW, .250-20 X 1.0 STANDARD HEX, G5 | |
| 34 | 10000037445 | 1 | ENGINE - MITSUBISHI LE3, T4 EXT SVC | |
| 35 | 10000021718 | 1 | FILTER, AIR, W/BRACKET | includes element |
| 36 | 10000035428 | 1 | ELEMENT, AIR FILTER | |
| 37 | 61061 | 2 | SCREW, .312-18 X .875 STANDARD HEX, G5 | |
| 38 | 72175SRV | 1 | SENSOR, ATMOSPHERIC PRESSURE | |
| -- | 16677 | 1 | SWITCH, OIL PRESSURE | |
| -- | 70021 | 1 | COVER, AIR FILTER HOUSING | |
| -- | 12912 | 1 | CAP, DUST | |

Heated Fuel Filter: (if equipped)

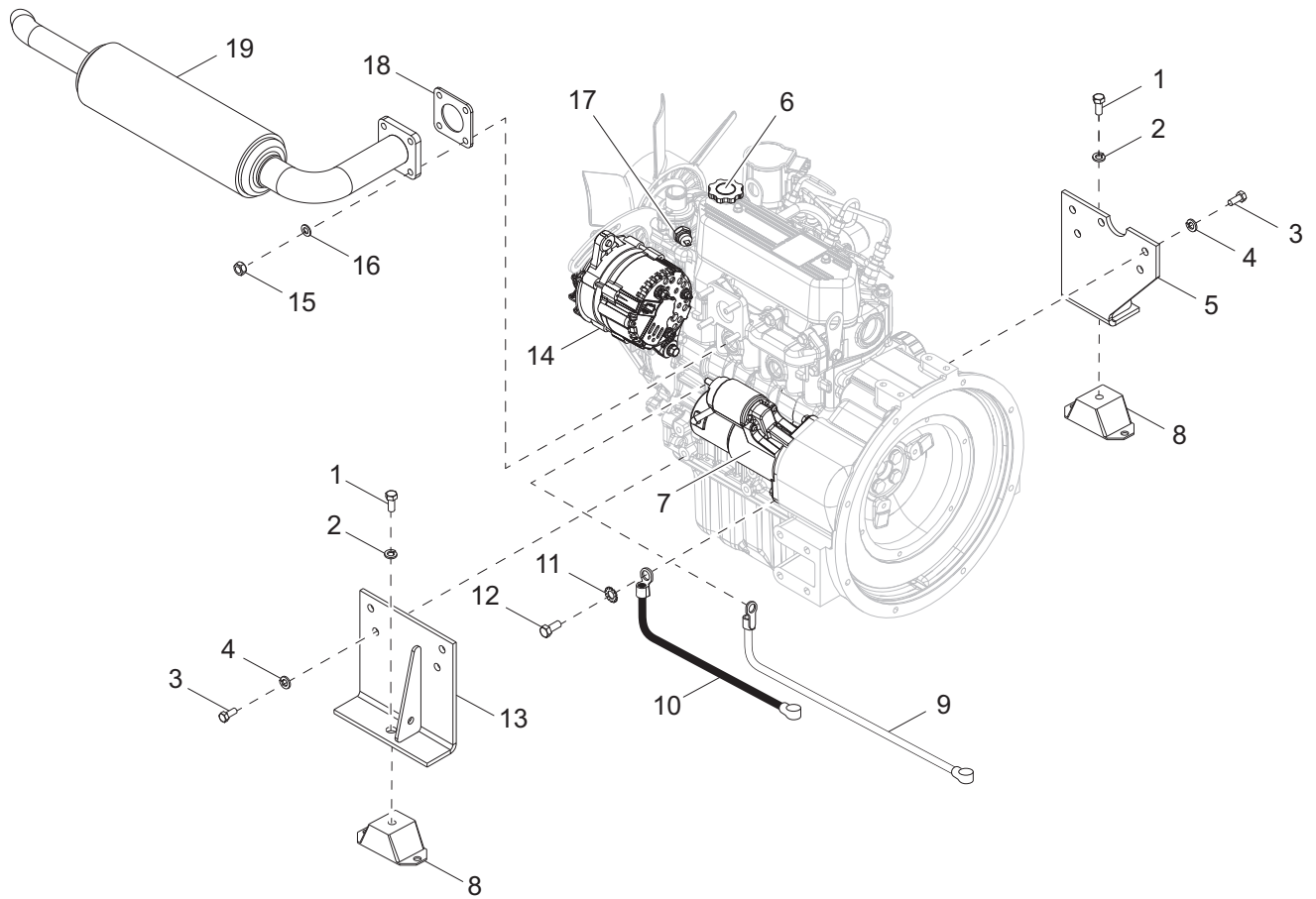
| | | | |
|---|-------|---|---------------------------------------|
| A | 13876 | 1 | KIT, HEATER - FUEL FILTER, MITSUBISHI |
|---|-------|---|---------------------------------------|

Cold Weather Belt: (if equipped)

| | | | |
|----|-------|---|--|
| -- | 10386 | 1 | BELT, COLD WEATHER - MITSUBISHI, 6KW & 8KW |
|----|-------|---|--|

Note: Engine and generator parts used in all Generac Mobile Products equipment carry the Original Equipment Manufacturer (OEM) warranty unless otherwise stated. OEM warranty parts must be purchased through an OEM dealer. Please contact Generac Mobile Products with questions.

ENGINE ASSEMBLY - MITSUBISHI RIGHT SIDE



03461

ENGINE ASSEMBLY - MITSUBISHI RIGHT SIDE

| Item | Part No. | Qty | Description | Notes |
|------|-------------|-----|---|-------|
| 1 | 60275 | 2 | SCREW, .500-13 X 1.0 STANDARD HEX, G5 | |
| 2 | 60702 | 2 | WASHER, .500 SPLIT LOCK, SS | |
| 3 | 60422 | 8 | SCREW, M10-1.25 X 25 STANDARD HEX, G8.8 | |
| 4 | 60026 | 8 | WASHER, M10 SPLIT LOCK | |
| 5 | 70130B | 1 | WELDMENT, ENGINE MOUNT - RIGHT, BLACK | |
| 6 | 11147 | 1 | CAP, OIL FILLER | |
| 7 | 70232 | 1 | STARTER | |
| 8 | 15241 | 2 | ISOLATOR, RUBBER - 80-200 LBS, 2 IN. WIDE | |
| 9 | A0000245046 | 1 | CABLE, BATTERY - 38 IN RED 0.375 LUG 45 DEG | |
| 10 | 15073 | 1 | CABLE, BATTERY - 24 IN, 4GA BLACK, .438 LUG | |
| 11 | 60747 | 1 | WASHER, .375 INTERNAL STAR | |
| 12 | 60495 | 1 | SCREW, M10-1.25 X 16 STANDARD HEX, G8.8 | |
| 13 | 16554B | 1 | WELDMENT, ENGINE MOUNT - LH, BLACK | |
| 14 | A0000083440 | 1 | ALTERNATOR | |
| 15 | 60032 | 4 | NUT, M8 - 1.25 HEX, G8.8 | |
| 16 | 60029 | 4 | WASHER, M8 SPLIT LOCK | |
| 17 | 16678 | 1 | SWITCH, TEMPERATURE SENSOR | |
| 18 | 11042SRV | 1 | GASKET, MUFFLER | |
| 19 | 13710 | 1 | MUFFLER, 30° FLARE | |
| -- | 10000041832 | 1 | HARNESS, ENGINE - MITSUBISHI | |

Silent Pack: (if equipped)

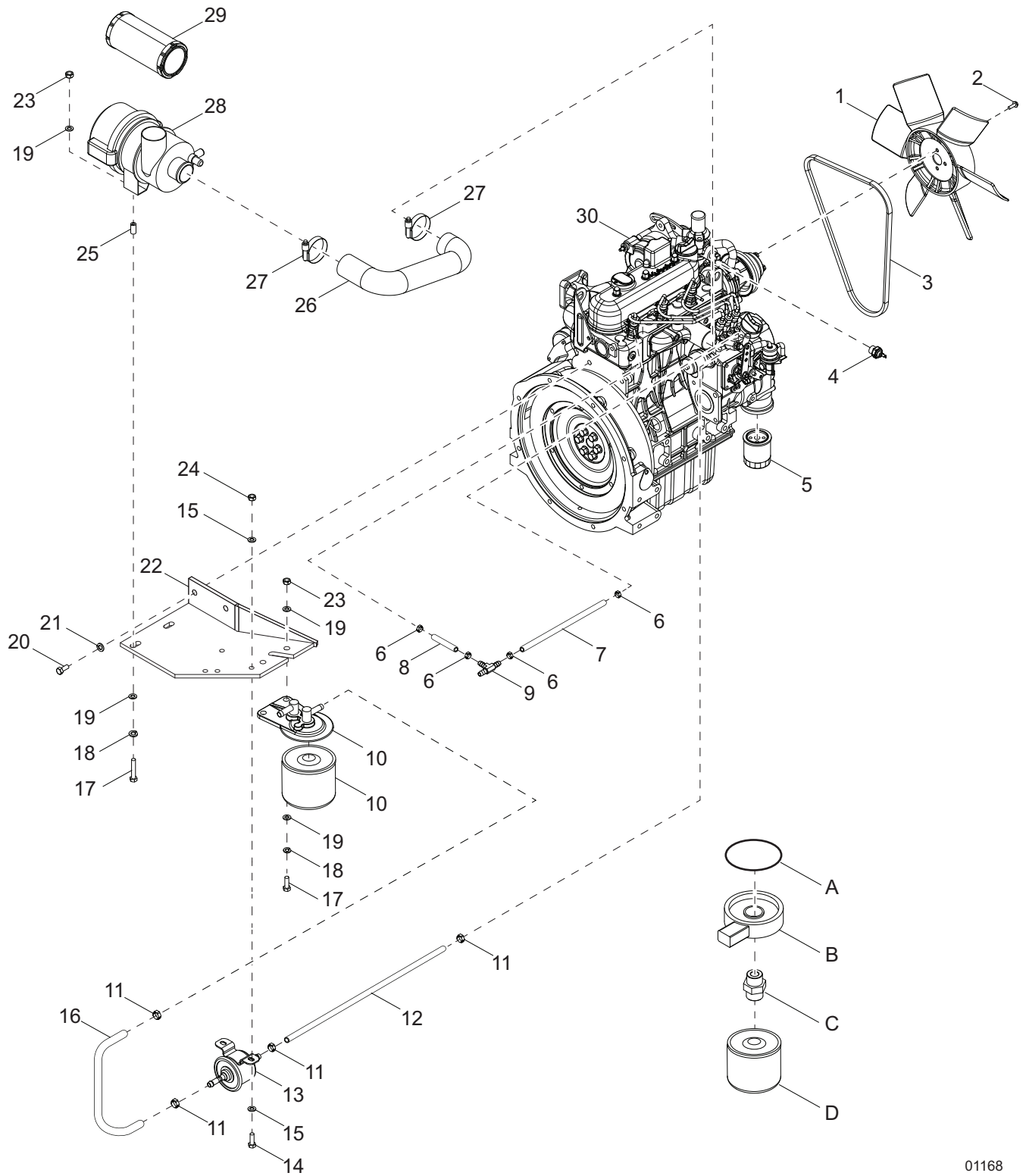
| | | | | |
|----|-------|---|------------------------------|--|
| -- | 34776 | 1 | MUFFLER, MITSUBISHI MODIFIED | |
|----|-------|---|------------------------------|--|

Battery Disconnect: (if equipped)

| | | | | |
|----|-------|---|--|--|
| -- | 69896 | 1 | CABLE, BATTERY, JUMPER 33.0" 4 GA RED - .375 LUG | |
|----|-------|---|--|--|

Note: Engine and generator parts used in all Generac Mobile Products equipment carry the Original Equipment Manufacturer (OEM) warranty unless otherwise stated. OEM warranty parts must be purchased through an OEM dealer. Please contact Generac Mobile Products with questions.

ENGINE ASSEMBLY - KUBOTA LEFT SIDE



01168

ENGINE ASSEMBLY - KUBOTA LEFT SIDE

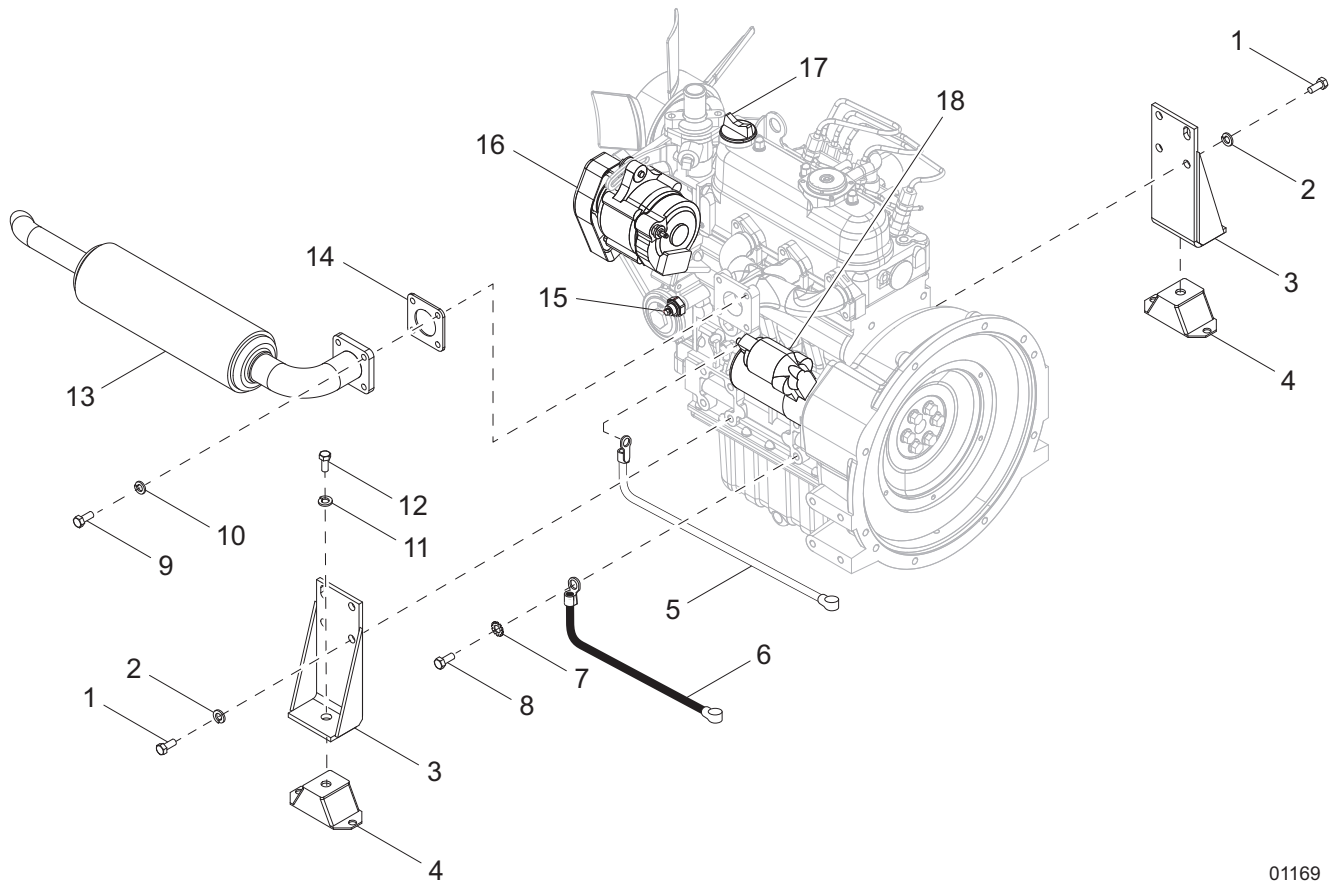
| Item | Part No. | Qty | Description | Notes |
|------|-------------|---------|--|------------------|
| 1 | 15495 | 1 | FAN, ENGINE | |
| 2 | 60087 | 4 | SCREW, M6-1.0 X 16 SERRATED FLANGE HEX, G8.8 | |
| 3 | 11628 | 1 | BELT, V | |
| 4 | 14099 | 1 | SWITCH, COOLANT TEMPERATURE | |
| 5 | 10775 | 1 | FILTER, OIL | |
| 6 | 60778 | 4 | CLAMP, HOSE - .188, CRIMP STYLE | |
| 7 | 14211 | 1.3 ft | HOSE, FUEL - .188 ID, 50 PSI, SAE 30R7 | |
| 8 | 14211 | .167 ft | HOSE, FUEL - .188 ID, 50 PSI, SAE 30R7 | |
| 9 | 17145 | 1 | FITTING, T - .188 X .188 X .188 BARB, NYLON | |
| 10 | A0003466536 | 1 | ASSY-FILTER-FUEL-G34 | includes element |
| -- | A0003466535 | 1 | FILTER-FUEL-G34 | |
| 11 | 60777 | 4 | CLAMP, HOSE - .312, CRIMP STYLE | |
| 12 | 50018 | 1.67 ft | HOSE, FUEL - .312 ID, 50 PSI, SAE 30R7 | |
| 13 | 13278SRV | 1 | PUMP, FUEL | |
| 14 | 60393 | 2 | SCREW, .250-20 X 1.0 STANDARD HEX, G5 | |
| 15 | 60243 | 4 | WASHER, .250 FLAT .735/.060 | |
| 16 | 50018 | 1 ft | HOSE, FUEL - .312 ID, 50 PSI, SAE 30R7 | |
| 17 | 62001 | 4 | SCREW, .312-18 X 1.25 STANDARD HEX, G5 | |
| 18 | 60271 | 4 | WASHER, .312 SPLIT LOCK | |
| 19 | 60119 | 8 | WASHER, .312 FLAT .875/.070 | |
| 20 | 61082 | 2 | SCREW, M8-1.25 X 20 STANDARD HEX, G8 | |
| 21 | 60029 | 2 | WASHER, M8 SPLIT LOCK | |
| 22 | 13483B | 1 | WELDMENT, FILTER BRACKET | |
| 23 | 60285 | 4 | NUT, .312-18 HEX, G2 | |
| 24 | 60144 | 2 | NUT, .250-20 NYLOCK, G5 | |
| 25 | 41235ZY | 2 | SPACER, .75 OD X .44 ID X 1.0 LONG | |
| 26 | 16589 | 1 | HOSE, AIR CLEANER | |
| 27 | 60316 | 2 | CLAMP, HOSE - SAE 032 (1.56-2.50) | |
| 28 | 10000021718 | 1 | FILTER, AIR, ASSEMBLY | includes element |
| 29 | 10000035428 | 1 | ELEMENT, AIR FILTER | |
| 30 | 13310 | 1 | ENGINE, KUBOTA - D1005-E3BG1-MGM-1 | |

Heated Fuel Filter: (if equipped)

| | | | |
|----|-------|---|---------------------------------------|
| A | 13834 | 1 | GASKET, HEATED FUEL FILTER |
| B | 13682 | 1 | HEATER, FUEL FILTER |
| C | 10407 | 1 | ADAPTER, HEATED FUEL FILTER |
| D | 13515 | 1 | ELEMENT, HEATED FUEL FILTER |
| -- | 10662 | 1 | HARNESS, FUEL FILTER HEATER - OUTSIDE |
| -- | 13684 | 1 | HARNESS, FUEL FILTER HEATER - INSIDE |

Note: Engine and generator parts used in all Generac Mobile Products equipment carry the Original Equipment Manufacturer (OEM) warranty unless otherwise stated. OEM warranty parts must be purchased through an OEM dealer. Some Kubota engine parts are serial number specific. Please contact **Kubota Engine America Corp.** or the Generac Mobile Products Technical Service Department for information regarding engine parts.

ENGINE ASSEMBLY - KUBOTA RIGHT SIDE



01169

ENGINE ASSEMBLY - KUBOTA RIGHT SIDE

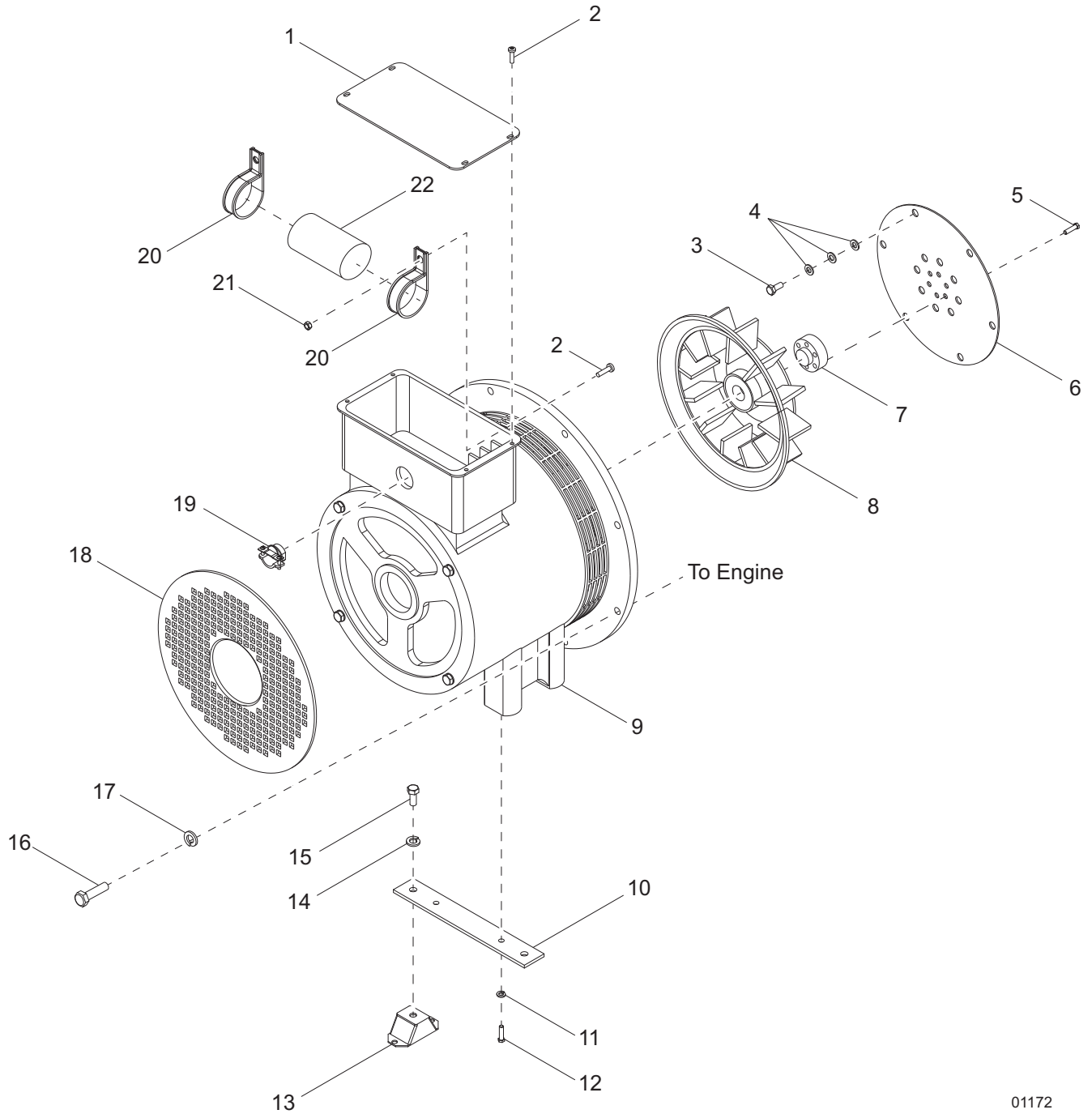
| Item | Part No. | Qty | Description | Notes |
|------|-------------|-----|--|-----------|
| 1 | 60422 | 8 | SCREW, M10-1.25 X 25 STANDARD HEX, G8.8 | |
| 2 | 60026 | 8 | WASHER, M10 SPLIT LOCK | |
| 3 | 12338B | 2 | WELDMENT, ENGINE MOUNT | |
| 4 | 15241 | 2 | ISOLATOR, RUBBER - 80-200 LBS, 2 INCH WIDE | |
| 5 | A0000245046 | 1 | CABLE BATTERY 38IN RED 0.375 LUG 45 DEG | |
| 6 | 15073 | 1 | CABLE, BATTERY - 24 IN., 4GA BLK., .438 IN LUG | |
| 7 | 60747 | 1 | WASHER, .375 INTERNAL STAR | |
| 8 | 60495 | 1 | SCREW, M10-1.25 X 16 STANDARD HEX, G8.8 | |
| 9 | 63168 | 4 | SCREW, M8-1.25 X 30 STANDARD HEX | |
| 10 | 60029 | 4 | WASHER, M8 SPLIT LOCK | |
| 11 | 60702 | 2 | WASHER, .500 SPLIT LOCK, SS | |
| 12 | 60275 | 2 | SCREW, .500-13 X 1.0 STANDARD HEX, G5 | |
| 13 | 13709 | 1 | MUFFLER, 30 DEGREE FLARE | |
| 14 | 11042SRV | 1 | GASKET, MUFFLER | |
| 15 | 14099 | 1 | SWITCH, COOLANT TEMPERATURE | |
| 16 | 12486 | 1 | ALTERNATOR | |
| 17 | 12484 | 1 | CAP, OIL FILLER | |
| 18 | 30582 | 1 | STARTER | |
| -- | 10461 | 1 | HARNESS, ENGINE, KUBOTA 6/8KW MLT | MLT4060KV |
| -- | 16153 | 1 | HARNESS, ENGINE - KUBOTA | MLT4080KV |

Silent Pack: (if equipped)

| | | | | |
|----|-------|---|--------------------------|--|
| -- | 36391 | 1 | MUFFLER, KUBOTA MODIFIED | |
|----|-------|---|--------------------------|--|

Note: Engine and generator parts used in all Generac Mobile Products equipment carry the Original Equipment Manufacturer (OEM) warranty unless otherwise stated. OEM warranty parts must be purchased through an OEM dealer. Some Kubota engine parts are serial number specific. Please contact **Kubota Engine America Corp.** or the Generac Mobile Products Technical Service Department for information regarding engine parts.

GENERATOR ASSEMBLY



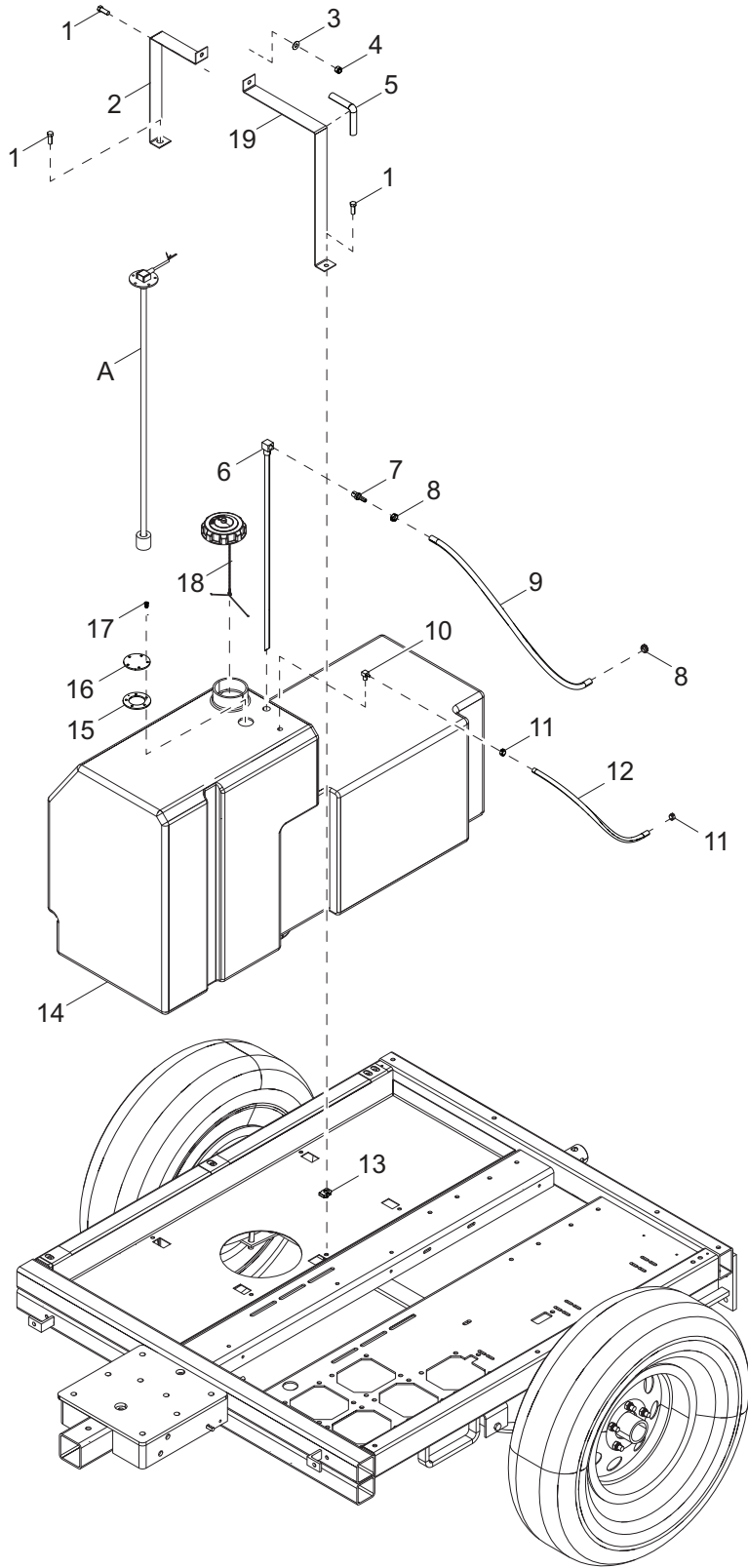
01172

GENERATOR ASSEMBLY

| Item | Part No. | Qty | Description | Notes |
|------|----------|-----|--|----------------------------|
| 1 | 12736 | 1 | COVER, GENERATOR - 6KW | |
| 2 | 60398 | 6 | SCREW, 10-32 X 5.0 PAN PHILLIPS, SS | |
| 3 | 60168 | 6 | SCREW, .312-18 X .750 STANDARD HEX, G5 | MLT4060/80KV |
| -- | 60165 | 6 | SCREW, M8-1.25 X 16 STANDARD HEX, G10 | MLT4060MV only |
| 4 | 60166 | 18 | WASHER, M8 FLAT | MLT4060MV (qty 12 only) |
| 5 | 11336 | 6 | SCREW, .375-24 X 1.75 | |
| 6 | 16123 | 1 | PLATE, DRIVE - SAE 6.5 | |
| 7 | 11339 | 1 | SPACER, GENERATOR DRIVE PLATE | |
| 8 | 12527 | 1 | FAN, GENERATOR | |
| -- | 12329 | 1 | SEAL, PANCAKE BEARING - 6KW | Included w/item 9, |
| -- | 12328 | 1 | BEARING, PANCAKE - 6KW | Included w/item 9, |
| 9 | 16556 | 1 | GENERATOR, MARATHON - 6KW | MLT4060MKV |
| -- | 10486 | 1 | GENERATOR, MARATHON - 8KW | MLT4080KV |
| 10 | 15045B | 1 | BRACKET, GENERATOR | |
| 11 | 60206 | 2 | WASHER, .375 SPLIT LOCK | |
| 12 | 60205 | 2 | SCREW, .375-16 X 1.0 STANDARD HEX, G5 | |
| 13 | 15241 | 2 | ISOLATOR, RUBBER - 80-200 LBS, 2 INCH WIDE | |
| 14 | 60702 | 2 | WASHER, .500 SPLIT LOCK, SS | |
| 15 | 60275 | 2 | SCREW, .50-13 X 1.0 STANDARD HEX, G5 | |
| 16 | 60352 | 8 | SCREW, .375-16 X 1.25 STANDARD HEX, G5 | MLT4060/80KV |
| -- | 60494 | 8 | SCREW, M10-1.25 X 30 STANDARD HEX, G8.8 | MLT4060MV |
| 17 | 60206 | 8 | WASHER, .375 SPLIT LOCK | MLT4060/80KV |
| -- | 60026 | 8 | WASHER, M10 SPLIT LOCK | MLT4060MV |
| 18 | 12327 | 1 | COVER, PANCAKE CASE | |
| 19 | 14219 | 1 | STRAIN RELIEF - .750 ROMEX WITH NUT | |
| 20 | 16395 | 2 | CLAMP, CAPACITOR | |
| 21 | 61045 | 2 | NUT, 10-32 SERRATED FLANGE | |
| 22 | 35132 | 1 | CAPACITOR, 25MF 440V - 6KW | |
| -- | 16153 | 1 | HARNESS, GENERATOR - 6KW | |

Note: Engine and generator parts used in all Generac Mobile Products equipment carry the Original Equipment Manufacturer (OEM) warranty unless otherwise stated. OEM warranty parts must be purchased through an OEM dealer. Please contact Generac Mobile Products with questions.

FUEL TANK TO UNIT



03784

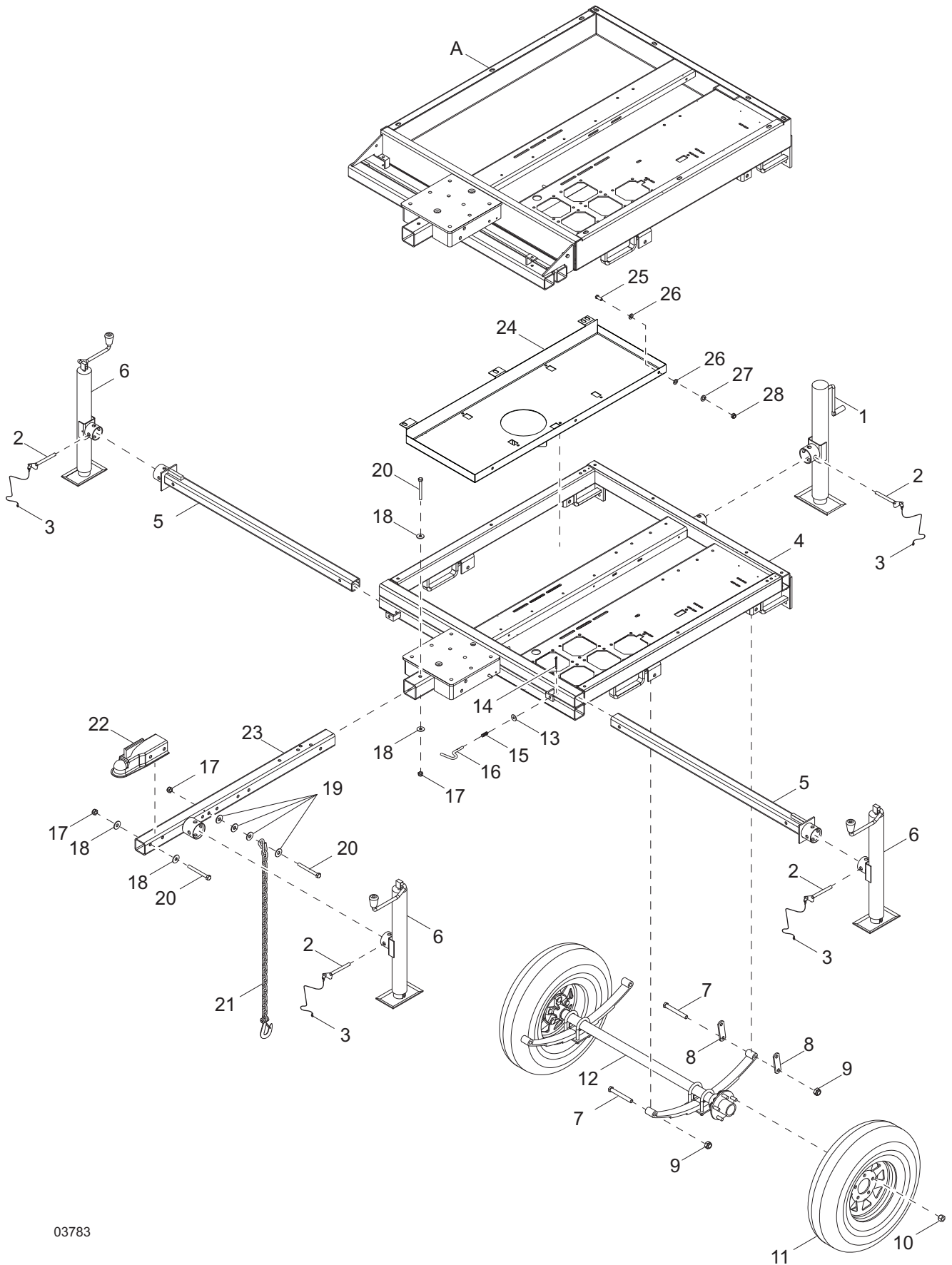
FUEL TANK TO UNIT

| Item | Part No. | Qty | Description | Notes |
|------|-------------|--------|--|--------------------|
| 1 | 60334 | 3 | SCREW, .375-16 X 1.00 STANDARD HEX, G5 | |
| 2 | A0001991206 | 1 | STB WELDMENT FUEL TANK STRAP - OUTSIDE | |
| 3 | 60698 | 1 | WASHER, .375 FLAT .875/.040, SS | |
| 4 | 60358 | 1 | NUT, .375-16 NYLOCK, G5 | |
| 5 | 50197 | 1 | WEATHERSTRIPPING | |
| 6 | 12259 | 1 | FUEL PICK-UP TUBE - 24 IN | |
| 7 | 15142 | 1 | FITTING, STRT - .250NPT X .312 BARB | |
| 8 | 60777 | 2 | CLAMP, HOSE - .312, CRIMP STYLE | |
| 9 | 50018 | 3.0 ft | HOSE, FUEL .312 ID 50 PSI SAE 30R7 | |
| 10 | 16271 | 1 | FITTING, 90° - .250NPT X .188 BARB | |
| 11 | 60778 | 2 | CLAMP, HOSE - .188, CRIMP STYLE | |
| 12 | 14211 | 2.5 ft | HOSE, FUEL - .188 ID, 50 PSI, SAE 30R7 | |
| 13 | 60505 | 4 | NUT, .312-18 U-CLIP - LONG TYPE | |
| 14 | 39998 | 1 | TANK, FUEL - 56 GALLON | |
| 15 | N/A | 1 | GASKET, PLATE COVER | w/ A0001557886 |
| 16 | N/A | 1 | PLATE, COVER | w/ A0001557886 |
| 17 | N/A | 5 | SCREW, 10-24 X .500 PAN PHILLIPS, G2 | w/ A0001557886 |
| 18 | 12137 | 1 | CAP, FUEL TANK, WITH LANYARD | |
| 19 | A0001991204 | 1 | STB WELDMENT FUEL TANK STRAP - INSID | |
| -- | A0001557886 | 1 | KIT, SENDER PLATE | Inc items 15,16,17 |

Fuel Sending Unit (if equipped)

| | | | | |
|---|-------|---|-----------------------------------|--|
| A | 68830 | 1 | MLT4000 FUEL SENDING UNIT ASSEMBL | |
|---|-------|---|-----------------------------------|--|

TRAILER ASSEMBLY



03783

TRAILER ASSEMBLY

| Item | Part No. | Qty | Description | Notes |
|------|----------|-----|---|-------|
| 1 | 13050 | 1 | JACK, SIDE WIND - TUBE MOUNT | |
| 2 | 23256 | 4 | PIN, JACK - 2000 LB, TUBE MOUNT | |
| 3 | 12647 | 4 | CABLE, TETHER - JACK PIN AND COVER | |
| 4 | 13335B | 1 | WELDMENT, CHASSIS | |
| 5 | 69813Z | 2 | WELDMENT, OUTRIGGER TUBE JACK MOUNT | |
| 6 | 13051 | 3 | JACK, TOP WIND | |
| 7 | 60503 | 6 | SCREW, SHACKLE, .562-18 X 3.0 STD HEX, G5 | |
| 8 | 19637 | 4 | PLATE, SHACKLE BRACKET | |
| 9 | 60504 | 6 | NUT, .562-18 LOCK, G5 | |
| 10 | 60096 | 10 | NUT, .500-20 LUG, G5 | |
| 11 | 15976B | 2 | WHEEL, ST175/80D13, 1360 LB | |
| 12 | 13131 | 1 | AXLE, 3000IB | |
| 13 | 35275 | 2 | WASHER, .375 FLAT .416 X .820 X .057 | |
| 14 | 35274 | 2 | COTTER PIN - .078 X 1.0 | |
| 15 | 35273 | 2 | SPRING, COMPRESSION, .562 X 1.5 | |
| 16 | 35272 | 2 | PIN, PLUNGER - .375 | |
| 17 | 62221 | 4 | NUT, .500-13 NYLOCK, G5 | |
| 18 | 60309 | 3 | WASHER, FLAT 1.060/.090 | |
| 19 | 60416 | 8 | WASHER, .500 FLAT 1.375/.090 | |
| 20 | 50215 | 4 | SCREW, .500-13 X 4.0 STD HEX, G5 | |
| 21 | 23367 | 2 | CHAIN, SAFETY | |
| 22 | 16830 | 1 | COUPLER, 2.0 BALL/2.5 CHANNEL | |
| 23 | 70184B | 1 | WELDMENT,- TUBE MOUNT JACK | |
| 24 | 12358B | 1 | PAN, FUEL TANK - FLAT FRAME, BLAC | |
| 25 | 60690 | 3 | SCREW, .375-16X1.000 STD HEX 18-8 SS | |
| 26 | 60698 | 6 | WASHER, .375 FLAT .875/.040 18-8 SS USS | |
| 27 | 60703 | 3 | WASHER, .375 SPLIT LOCK 18-8 SS | |
| 28 | 60140 | 3 | NUT, .375-16 HEX G5 ZC | |

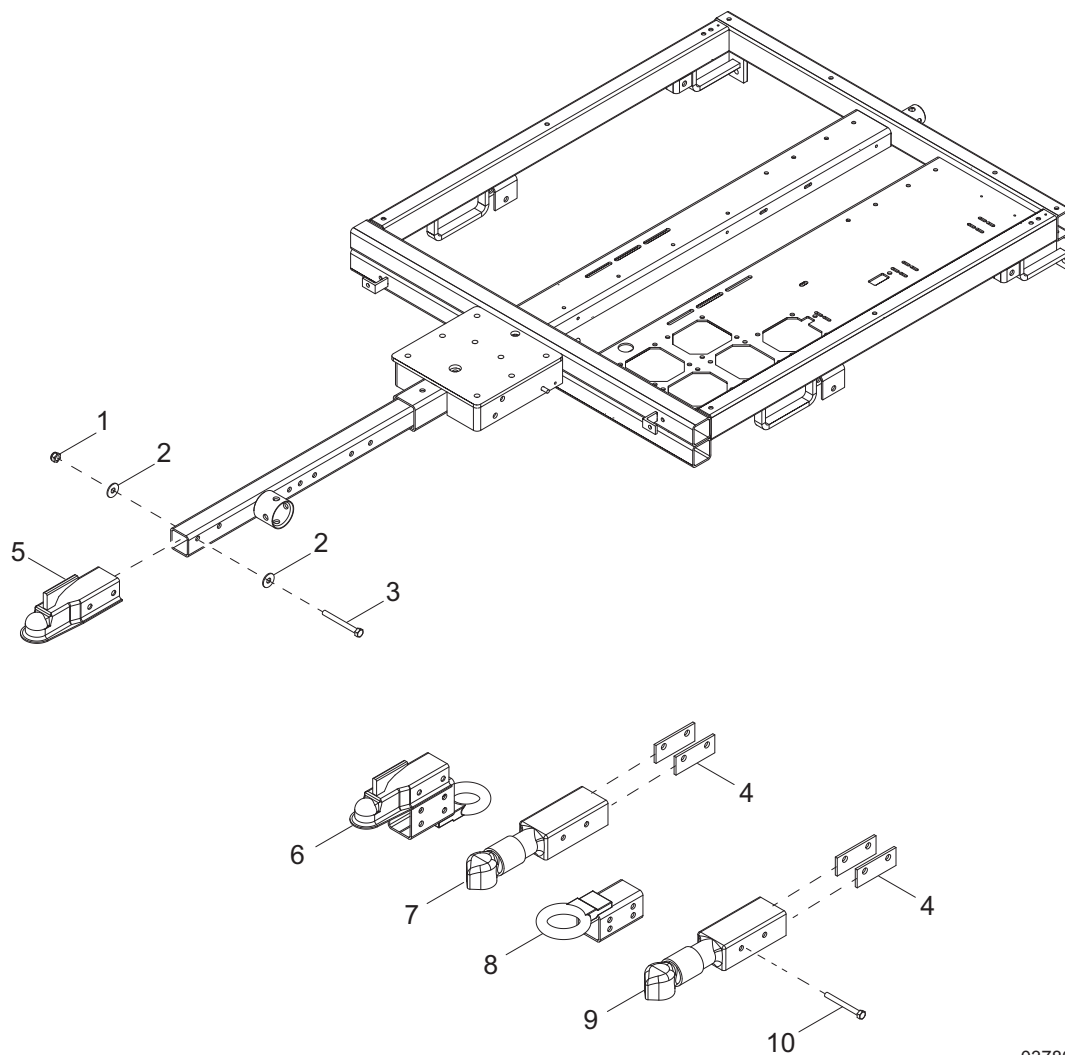
Containment: (if equipped)

| | | | | |
|---|--------|---|--------------------------------|--|
| A | 33243B | 1 | WELDMENT, CHASSIS, CONTAINMENT | |
|---|--------|---|--------------------------------|--|

Trailer Plug Adapters: (if equipped)

| | | | | |
|----|-------|---|---|--|
| -- | 65463 | 1 | ADAPTER, TRAILER WIRING - FLAT 4 TO ROUND 6 PIN | |
| -- | 65464 | 1 | ADAPTER, TRAILER WIRING - FLAT 4 TO ROUND 7 PIN | |
| -- | 65465 | 1 | ADAPTER, TRAILER WIRING - FLAT 4 TO ROUND 7 BLADE | |

TRAILER - HITCH OPTIONS

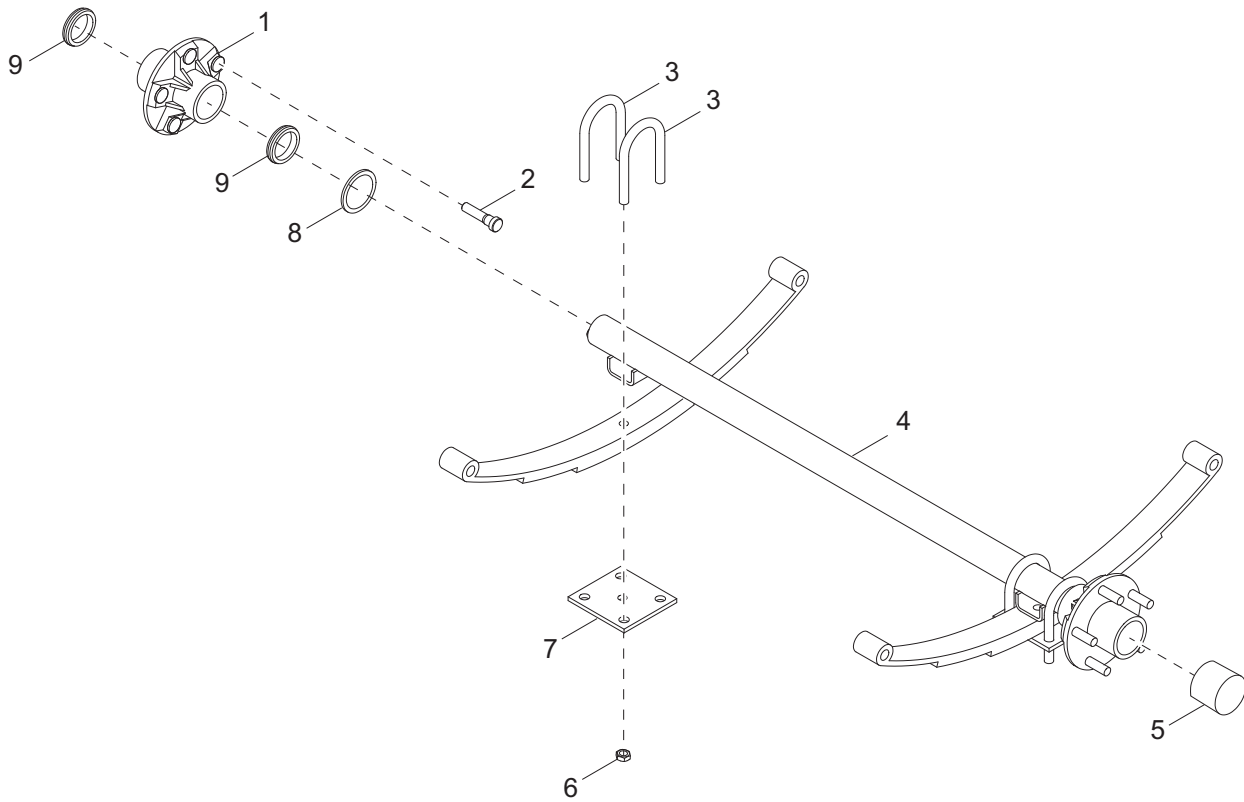


03780

TRAILER - HITCH OPTIONS

| Item | Part No. | Qty | Description | Notes |
|-----------------|----------|-----|--|-------|
| <i>Hitches:</i> | | | | |
| 1 | 62221 | 2 | NUT, .500-13 NYLOCK, G5 | |
| 2 | 60309 | 4 | WASHER, .500 FLAT 1.060/.090 | |
| 3 | 50215 | 2 | SCREW, .500-13 X 4.0 STANDARD HEX, G5 | |
| 4 | 12155B | 2 | SPACER, COUPLER | |
| 5 | 16830 | 1 | COUPLER, 2.0 BALL/2.50 TONGUE | |
| 6 | 34792ZC | 1 | WELDMENT, COMBINATION HITCH - 2.50 TONGUE | |
| 7 | 13003B | 1 | COUPLER, 2.0 BULLDOG/3.0 TONGUE | |
| 8 | 16835B | 1 | WELDMENT, LUNETTE RING - 3.0 X 1.0 RING/2.50 | |
| 9 | 17807 | 1 | COUPLER, 2.312 BALL/3.00 CHANNEL | |
| 10 | 60376 | 2 | SCREW, .500-13 X 4.50 STANDARD HEX, G5 | |

AXLE ASSEMBLY

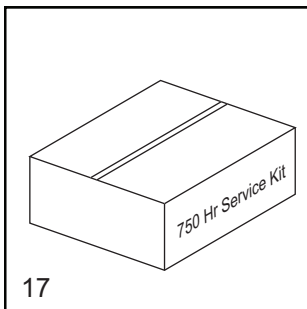
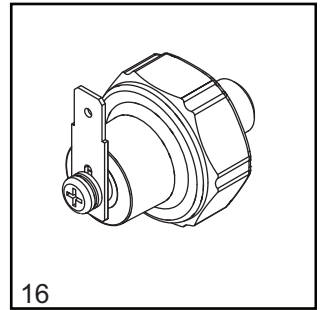
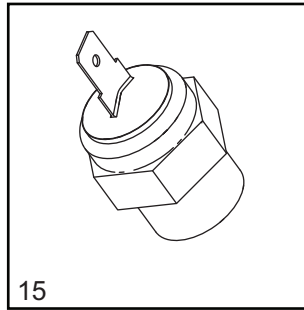
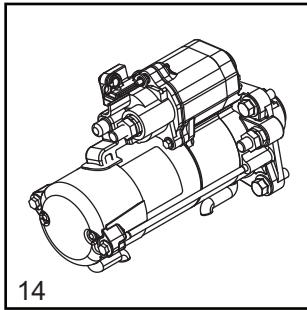
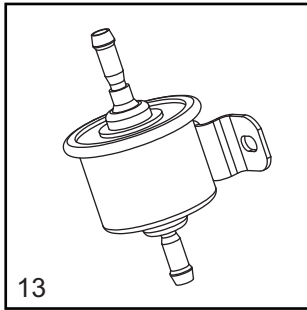
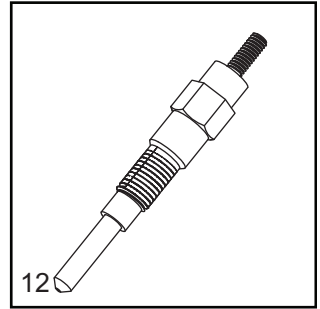
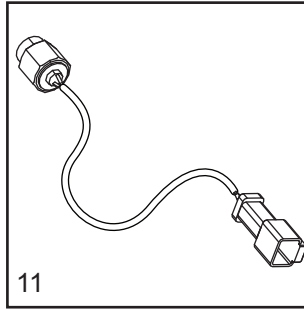
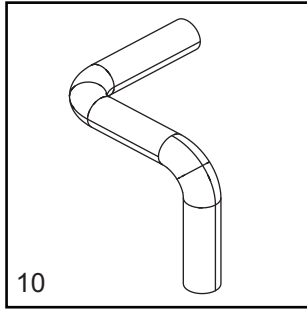
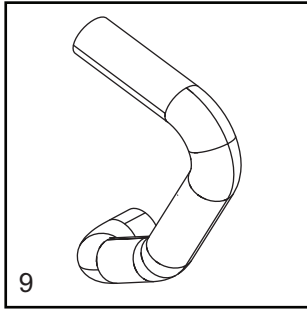
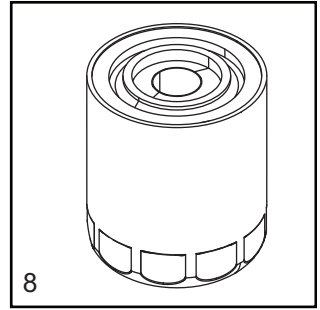
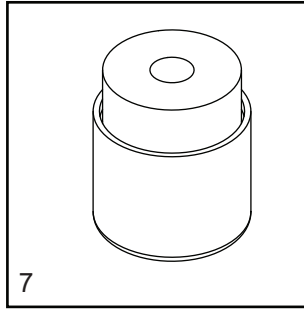
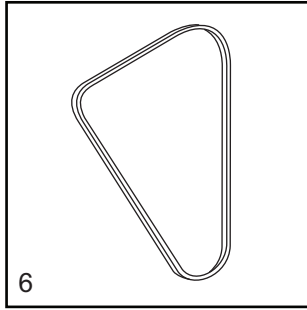
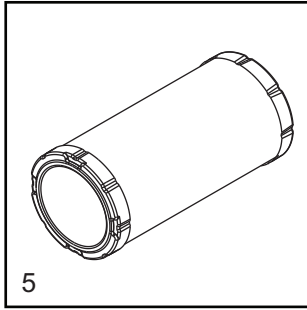
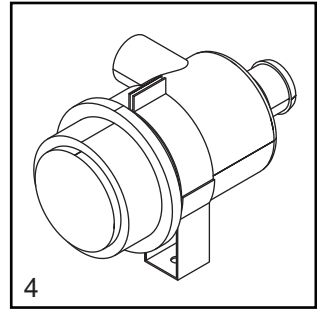
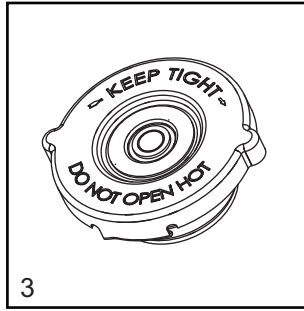
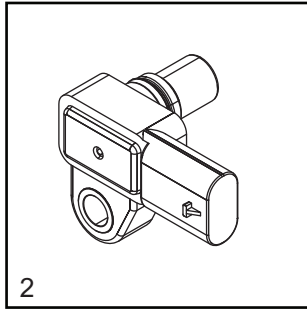
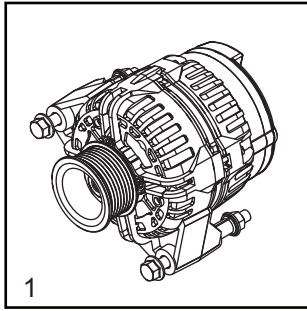


01746

AXLE ASSEMBLY

| Item | Part No. | Qty | Description | Notes |
|------|----------|-----|----------------------------------|-------|
| 1 | 11206 | 2 | AXLE HUB W/STUDS AND OUTER RACES | |
| 2 | 60674 | 10 | STUD, WHEEL, .500-20 WHEEL, G8 | |
| 3 | 11201 | 4 | BOLT, U - 2200 LB | |
| 4 | 16593 | 1 | AXLE, 2200 LB 56TC 45SC | |
| 5 | 12460 | 2 | CAP, WHEEL BEARING | |
| 6 | 11203 | 8 | NUT, U-BOLT, 2200 LB | |
| 7 | 11202 | 2 | TIE-PLATE, 2200 LB | |
| 8 | 13000 | 2 | SEAL - 2200 LB | |
| 9 | 11511 | 4 | BEARING, ROLLER | |

RECOMMENDED SPARE PARTS - ENGINE AND SERVICE KITS - MITSUBISHI



RECOMMENDED SPARE PARTS - ENGINE AND SERVICE KITS - MITSUBISHI

ENGINE

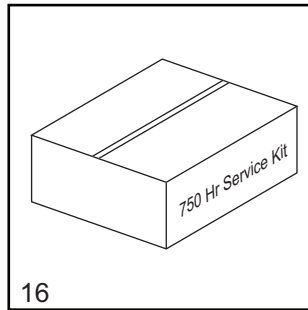
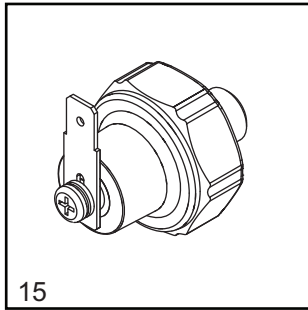
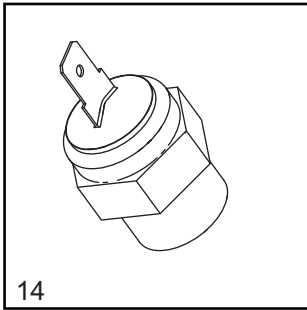
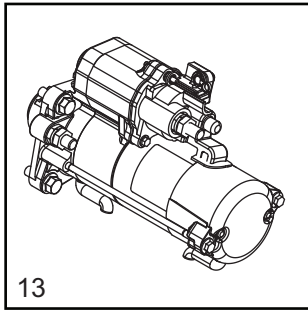
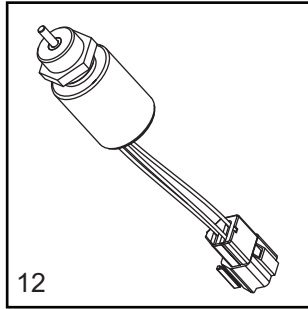
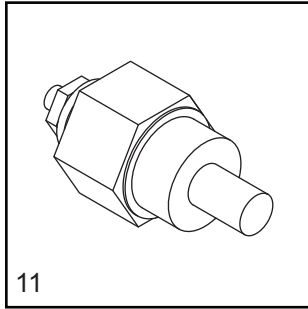
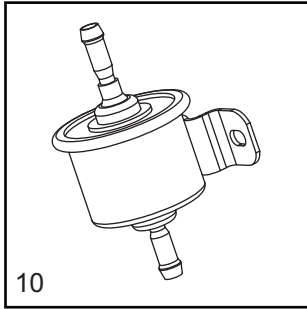
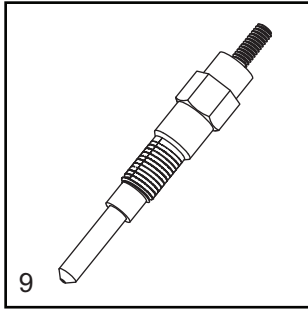
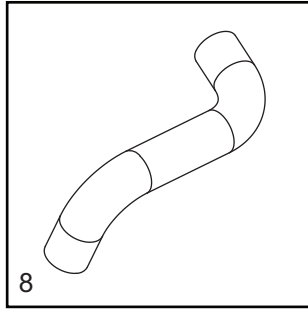
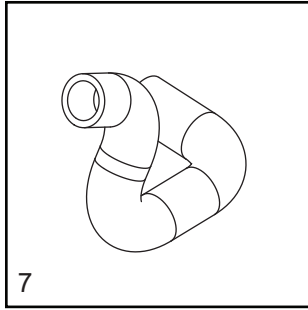
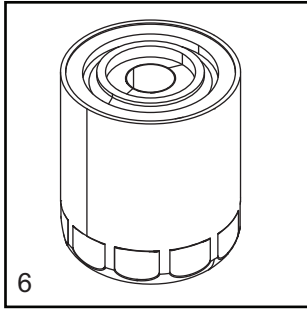
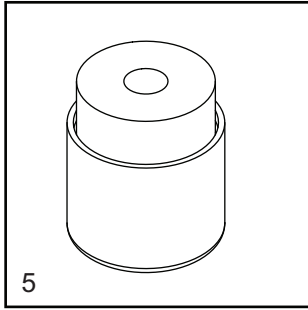
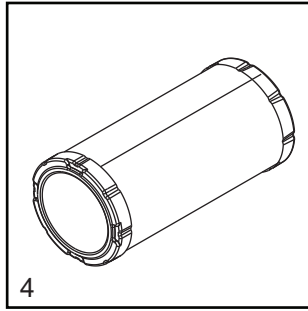
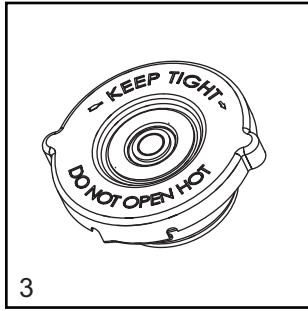
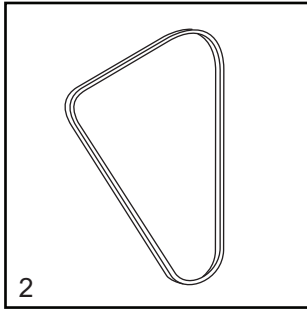
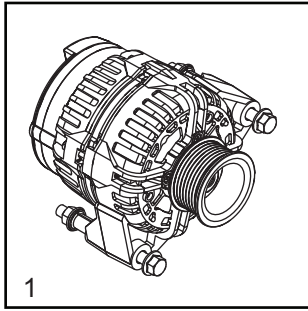
| | |
|--|-------------|
| 1. ALTERNATOR | A0000083440 |
| 2. ATMOSPHERIC PRESSURE SENSOR..... | 72175SRV |
| 3. CAP, FUEL TANK WITH LANYARD | 16326 |
| 4. CAP, RADIATOR | 19219 |
| 5. FILTER, AIR (ELEMENT) | 10000035428 |
| 6. BELT | 10386 |
| 7. FILTER, FUEL, MITSUBISHI..... | A0000430610 |
| 8. FILTER, OIL, MITSUBISHI (AFTER BREAK-IN 1)..... | A0000630832 |
| 9. HOSE, RADIATOR - LOWER..... | 16688SRV |
| 10. HOSE, RADIATOR - UPPER..... | 32383SRV |
| 11. MAGNETIC PICK-UP | A0000116158 |
| 12. PLUG, GLOW..... | 16693SRV |
| 13. PUMP, FUEL..... | 13278SRV |
| 14. STARTER | 70232 |
| 15. SWITCH, COOLANT TEMPERATURE | 16678 |
| 16. SWITCH, OIL PRESSURE | 16677 |

SERVICE KITS

| | |
|------------------------|-------------|
| 17. 750 HOUR KIT | 10000036108 |
|------------------------|-------------|

Includes: Air Filter 10000035428, Fuel Filter Element A0000430610 and
Oil Filter A0000630832

RECOMMENDED SPARE PARTS - ENGINE AND SERVICE KITS - KUBOTA



RECOMMENDED SPARE PARTS - ENGINE AND SERVICE KITS - KUBOTA

ENGINE

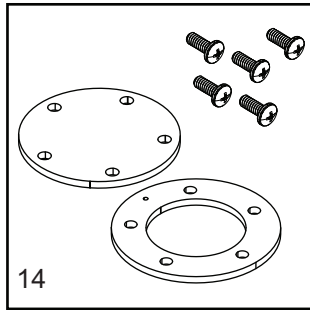
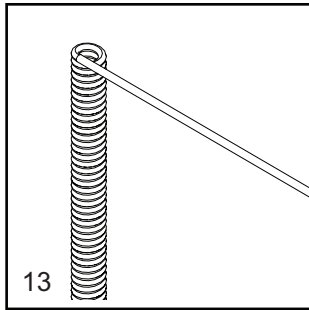
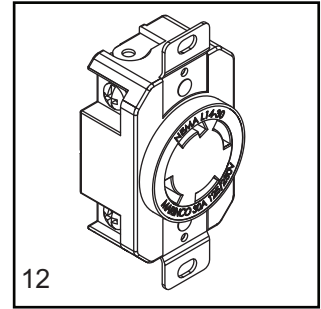
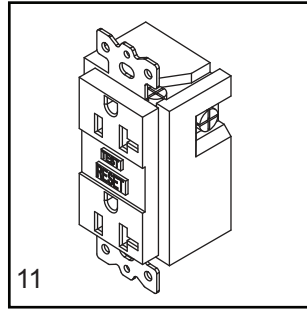
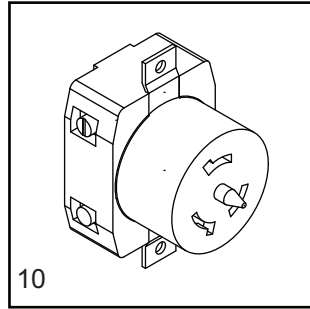
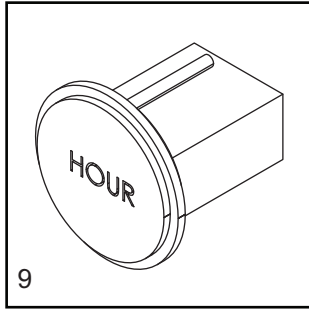
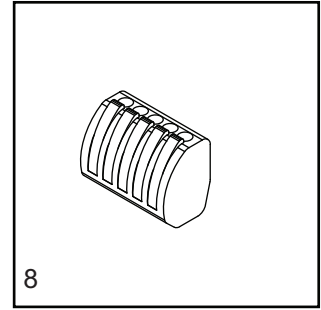
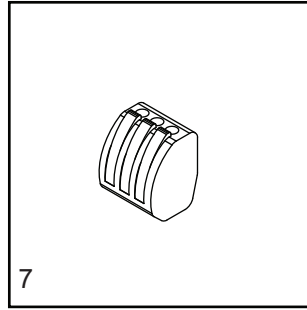
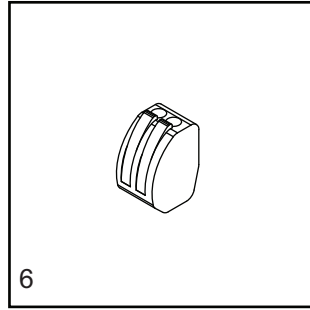
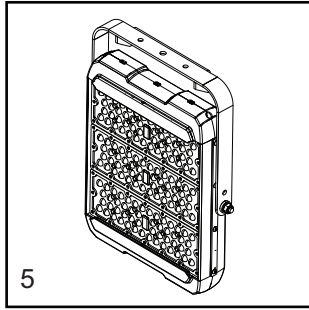
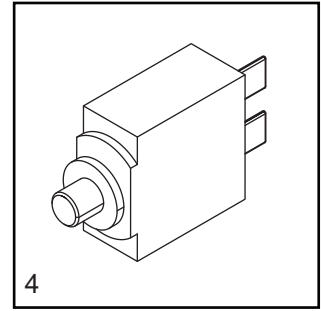
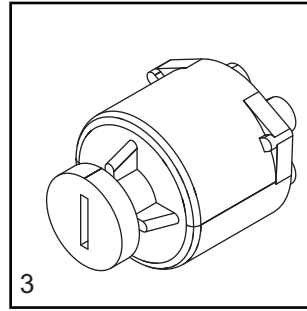
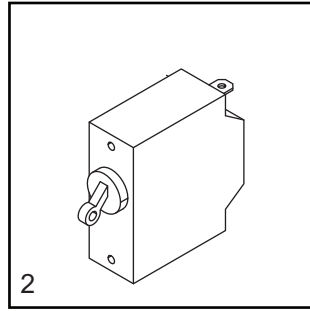
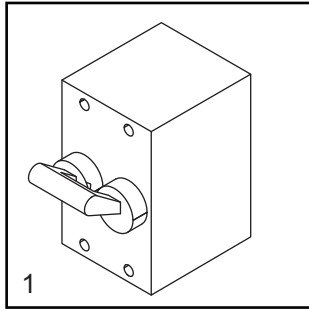
| | |
|---|-------------|
| 1. ALTERNATOR | 12486 |
| 2. BELT, V, KUBOTA | 11628 |
| 3. CAP, RADIATOR | 19219 |
| 4. FILTER, AIR (ELEMENT) | 10000035428 |
| 5. FILTER, FUEL ELEMENT, KUBOTA..... | A0003466535 |
| 6. FILTER, OIL, KUBOTA D1005/D1105 | 10775 |
| 7. HOSE, LOWER RADIATOR, KUBOTA..... | 12350 |
| 8. HOSE, UPPER RADIATOR KUBOTA | 36977 |
| 9. PLUG, GLOW, KUBOTA (START SN 489916)..... | 13238 |
| 10. PUMP, FUEL..... | 13278SRV |
| 11. SENDER, COOLANT TEMP..... | 12873 |
| 12. SOLENOID, FUEL SHUTDOWN (2 WIRE)..... | 13018 |
| 13. STARTER- KUBOTA D1005 | 30582 |
| 14. SWITCH, COOLANT TEMPERATURE - KUBOTA D850 | 14099 |
| 15. SWITCH, OIL PRESSURE, KUBOTA D905 | 15375 |

SERVICE KITS

| | |
|-----------------------|-------------|
| 16. 750 HOUR KIT..... | 10000036039 |
|-----------------------|-------------|

Includes: Air Filter Element 10000035428, Fuel Filter Element A0003466535 and
Oil Filter 10775

RECOMMENDED SPARE PARTS - ELECTRICAL

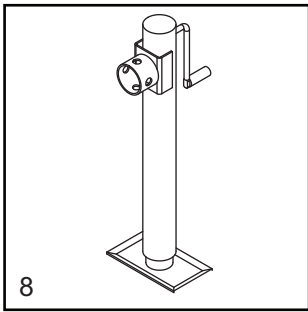
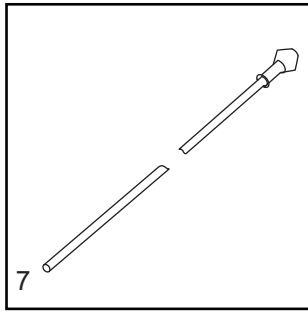
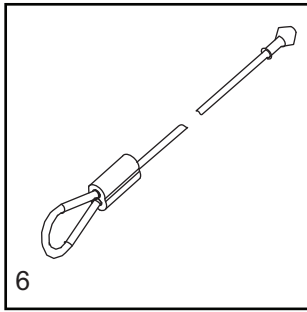
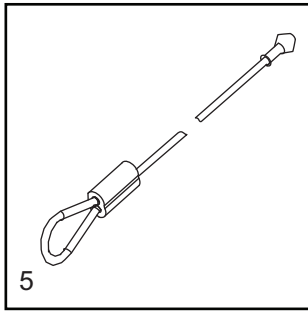
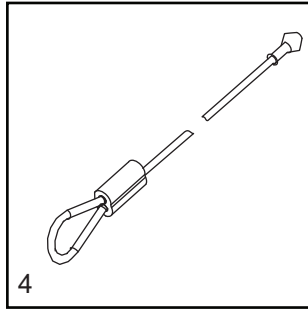
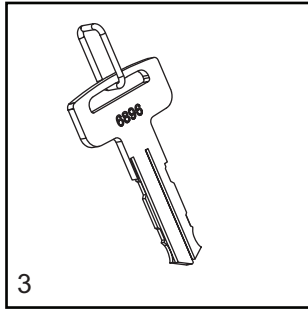
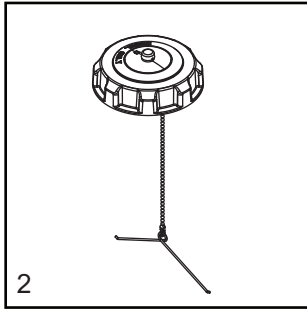
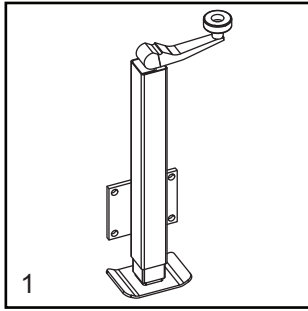


RECOMMENDED SPARE PARTS - ELECTRICAL

ELECTRICAL

| | |
|---|-------------|
| 1. BREAKER, 70A, 250V, 2 POLE, AM STUD TERMINAL | 60736 |
| 2. BREAKER, 15A 250V, 1 POLE..... | 14249 |
| 3. SWITCH, KEY | 15195SRV |
| 4. BREAKER, 10A 240V, 1 POLE - PUSH BUTTON..... | 65850 |
| 5. ASSEMBLY, 320W LED LIGHT FIXTURE..... | A0000948785 |
| 6. CONNECTOR, 2 POSITION (QTY - 4) | 66100 |
| 7. CONNECTOR, 3 POSITION (QTY - 2) | 66101 |
| 8. CONNECTOR, 5 POSITION (QTY - 1) | 66102 |
| 9. GAUGE, HOUR METER | 15085 |
| 10. RECEPTACLE, 240V/50A TWIST LOCK | 18089 |
| 11. RECEPTACLE, 120V/20A GFI..... | 14130 |
| 12. RECEPTACLE, 240V/30A TWIST L14-30R | 65488 |
| 13. COIL CORD..... | 1195418. |
| 14. KIT, SENDER PLATE | A0001557886 |

RECOMMENDED SPARE PARTS - MISC



MISCELLANEOUS

1. JACK, TOP WIND, 2000 LB 13051
2. CAP, FUEL TANK WITH LANYARD 16326
3. KEY (SET OF TWO)..... 15309
4. CABLE, 69.25 IN 34128
5. CABLE, 69.75 IN 34129
6. CABLE, 67.875 IN 34130
7. CABLE, 116.00 IN..... 34132
8. JACK, SIDE WIND, 2000 LB 13050

Part No. A0001521579 Rev. B 12/16/2022

©2022 Generac Power Systems, Inc.
All rights reserved.
Specifications are subject to change without notice.
No reproduction allowed in any form without prior written consent
from Generac Power Systems, Inc.

GENERAC | **MOBILE**

Generac Power Systems, Inc.
S45 W29290 Hwy. 59, Waukesha WI 53189
GeneracMobileProducts.com | 844-ASK-GNRC | 844-275-4672