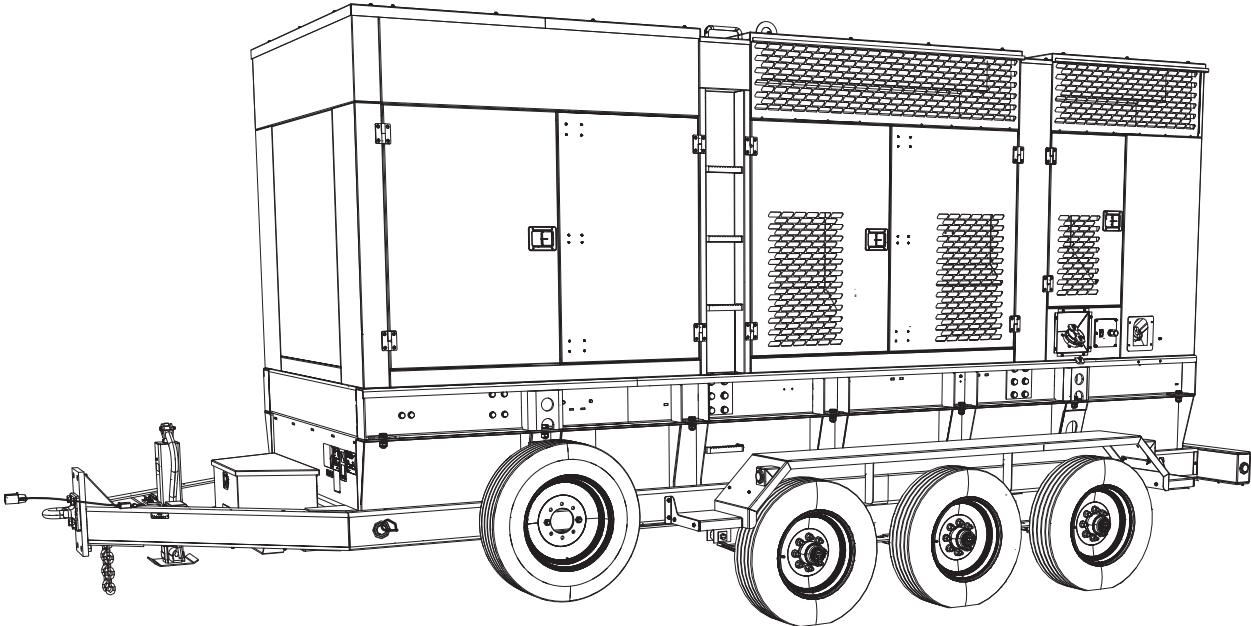


# ***MDE570P***

## *Diesel Generator Parts Manual*



03710

**MODEL NUMBER:** \_\_\_\_\_

**SERIAL NUMBER:** \_\_\_\_\_

**DATE PURCHASED:** \_\_\_\_\_

 **WARNING**

Breathing diesel engine exhaust exposes you to chemicals known to the State of California to cause cancer and birth defects or other reproductive harm.

- Always start and operate the engine in a well-ventilated area.
- If in an enclosed area, vent the exhaust to the outside.
- Do not modify or tamper with the exhaust system.
- Do not idle the engine except as necessary.

For more information go to

[www.P65Warnings.ca.gov/diesel](http://www.P65Warnings.ca.gov/diesel). (000394)

# Introduction

This parts manual was prepared based on the information available at the time of publication and is subject to change without notice. Generac Mobile reserves the right to change parts at any time. To check whether a revised parts manual is available, contact Generac Mobile.

DO NOT MODIFY or use this equipment for any application other than which it was designed for. To keep your equipment fully operational, it is suggested you maintain a stock of commonly used maintenance or service parts. A recommended spare parts list can be found in the back of this manual. To order service parts, please go to [www.generacmobileproducts.com](http://www.generacmobileproducts.com) or call Generac Mobile.



## **WARNING**

Consult Manual. Read and understand manual completely before using product. Failure to completely understand manual and product could result in death or serious injury. (000100a)

---

## **WARNING**

Environmental Hazard. Always recycle batteries at an official recycling center in accordance with all local laws and regulations. Failure to do so could result in environmental damage, death, or serious injury. (000228)

---

## **GENERAC MOBILE PRODUCTS LLC**

**215 Power Drive • Berlin, WI 54923 U.S.A.**

**Phone: 920-361-4442**

**FAX: 920-361-4416**

**Toll Free: 1-800-926-9768**

**[www.generacmobileproducts.com](http://www.generacmobileproducts.com)**

**For technical or parts QUESTIONS, contact Generac Mobile Technical Service at 1-800-926-9768.**

Engine Make: \_\_\_\_\_

Engine Serial Number: \_\_\_\_\_

Engine Model Number: \_\_\_\_\_

This Page Intentionally Left Blank



# Table of Contents

Introduction .....	iii
Unit Decals - Exterior .....	2
Unit Decals - Interior .....	4
Unit Decals - Control/Electrical Panel .....	6
Enclosure Panels .....	8
Doors to Unit .....	10
Double Door Assembly - Right .....	12
Double Door Assembly - Left .....	14
Control Door Assembly .....	16
Vented Door Assembly - Right .....	18
Vented Door Assembly - Left .....	20
Vented Door Assembly - LR .....	22
Vented Door Assembly - RR .....	24
Door Assembly - Lug Box .....	26
Roof Assembly .....	28
Rear Baffle Assembly .....	30
Rear Panel Assembly .....	32
Front Enclosure Assembly .....	34
Receptacle Box Assembly .....	36
Control Box Assembly .....	38
Breaker/Lug Box Assembly .....	40
Paralleling Option .....	42
Lug Panel Assembly - Standard .....	44
Lug Panel Assembly - Option US .....	46
Lug Panel Assembly - Option Canada .....	48
Engine Assembly - Left Side .....	50
Engine Assembly - Right Side .....	52
Generator Assembly .....	54
Generator Conductor Assembly .....	56
Link Board Assembly .....	58
Engine and Generator To Unit .....	60
Exhaust System .....	62
Cooling System Assembly .....	64
Battery Assembly/Options .....	66
Lift Structure Assembly (1 of 2) .....	68
Lift Structure Assembly (2 of 2) .....	70
Tank Assembly .....	72
Tank To Trailer Or Skid Assembly .....	74
Trailer Assembly .....	76
Recommended Spare Parts - Engine and Service Kits .....	78
Recommended Spare Parts - Electrical and Trailer .....	80

This Page Intentionally Left Blank


# Parts Manual Instructions

Product illustrations are only representations. Products supplied may vary from the illustrations in this parts manual. Parts not shown in the illustration are indicated by a double dash (--) in the item column.

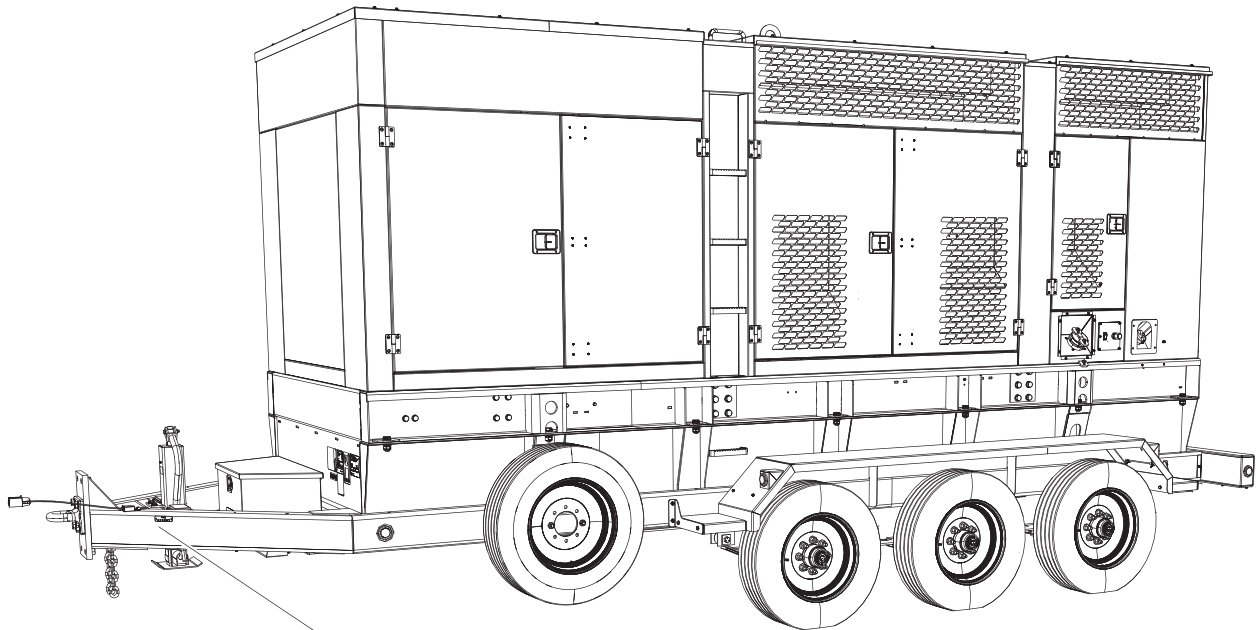
Please be prepared to provide the following information when ordering replacement parts: model number, serial number (on unit serial tag), part number, purchase order number (if applicable), shipping address, shipping method.

Refer to the illustration below to locate the unit ID tag and Vehicle Identification Number (VIN) tag on the unit. Important information, such as the unit serial number, model number, VIN and tire loading information are found on these tags. Record the information from these tags so it is available if the tags are lost or damaged. When ordering parts or requesting assistance, you may be asked to provide this information.

## Unit ID Tag

Manufactured by Generac Mobile Products LLC					
(920) 361-4442			(800) 926-9768		
Country of Origin	Model	Serial Number			
<input type="text"/>	<input type="text"/>	<input type="text"/>			
Manufacturing Code	Weight (lbs/kg)	RPM/Frequency			
<input type="text"/>	<input type="text"/>	<input type="text"/>			
Rating		<input type="text"/>			
KW	1 ph. 1.0PF	3 ph. .8PF	3 ph. 1.0PF		
KVA	<input type="text"/>	<input type="text"/>	<input type="text"/>		
V	<input type="text"/>	<input type="text"/>	<input type="text"/>		
A	<input type="text"/>	<input type="text"/>	<input type="text"/>		
		Ins. Class			
		<input type="text"/>			
 FOR ELECTRICAL EQUIPMENT <small>UL LISTED PRODUCT          ELECTRIC EQUIPMENT          1000V</small>					

Located on control panel face at rear of unit



## VIN Tag

MANUFACTURED BY/FABRIQUE PAR: Generac Mobile Products LLC		DATE: 00/0000
GVV/RPNBV: 000KG (0000LBS)		COLD INF. PRESS / PRESIS DE
GAWR / PNEU	TIRE / PNEU	RM / JANTE
GONF A FROID - KPA/P(SI/LPC) SOL / DUJAL		
EACH	<input type="text"/>	
AXLE	<input type="text"/>	
<small>THIS VEHICLE CONFORMS TO ALL APPLICABLE STANDARDS PRESCRIBED UNDER THE U.S. FEDERAL MOTOR VEHICLE SAFETY STANDARDS/REGULATIONS CONCERNING MOTOR VEHICLE SAFETY REGULATIONS EN RÉFÉRENCE DES NORMES DE MANUFACTURE.</small>		
VIN. NO. I.V.: 000000000000000000		MODEL: <b>XXX000</b>
		TYPE: <b>TRAILER</b>

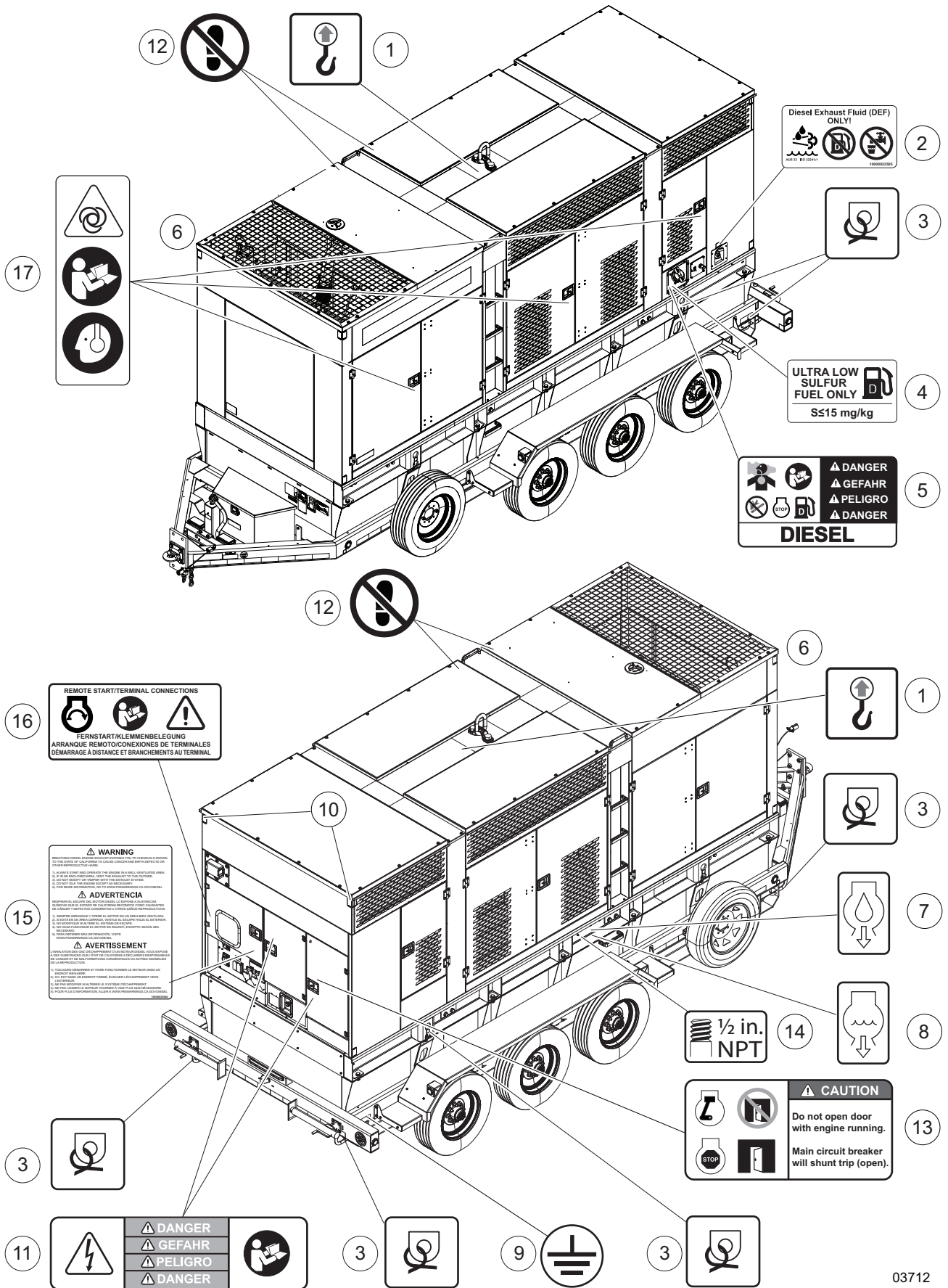
**TIRE AND LOADING INFORMATION**  
**RENSEIGNEMENTS SUR LES PNEUS ET LE CHARGEMENT**

The weight of cargo should never exceed 0000KG (0000LBS).  
 Le poids du chargement ne doit jamais dépasser 0000KG (0000LBS).

SEE OWNER'S MANUAL FOR ADDITIONAL INFORMATION.  
 VOIR LE MANUEL DE L'USAGER POUR PLUS DE RENSEIGNEMENTS.

03711

# UNIT DECALS - EXTERIOR



03712

## UNIT DECALS - EXTERIOR

Item	Part No.	Qty	Description	Notes
1	10000023234	2	DECAL OVERHEAD LIFT POINT	
2	10000022505	1	DECAL DEF FLUID ONLY FILL	
3	10000022772	8	DECAL ISO TIE DOWN POINT 35MM	
4	10000023715	1	DECAL ULTRA LOW SULFUR FUEL	
5	10000022514	1	DECAL DIESEL FUEL ONLY FILL	
6	A0000617188	6	REFLECTOR AMBER 2X3.5 SAE A PSA	
7	10000019336	1	DECAL ISO ENGINE OIL DRAIN	
8	A0002280027	1	DECAL ISO ENGINE COOLANT DRAIN	
9	10000022308	1	DECAL CONNECTION LUG GND 32MM	
10	A0000617187	6	REFLECTOR RED 2X3.5 SAE A PSA	
11	10000023198	1	DECAL ELECT DANGER READ MANUAL	
12	A0000116412	5	DECAL DO NOT STEP	
13	10000023876	1	DECAL DOOR OPEN MCB SHUNT TRIP	
14	10000027178	2	DECAL ISO THREAD 1/2 NPT	
15	10000038540	1	DECAL CA-PROP 65 FOR CI ENGINE	
16	10000023129	1	DECAL REMOTE START TERMINAL	
17	A0000382483	6	DECAL SOUND READ MANUAL AUTO START	

# UNIT DECALS - INTERIOR

**1**

**2**

**3**

**4**

**5** **CAUTION BATTERY DISCONNECT**  
 WAIT FOR AMBER LED TO GO OUT BEFORE DISCONNECTING THE BATTERY.  
 ON/OFF switches for LED and ECU.

**6**

**7**

**8**

**9** **WARNING**  
 Generator can automatically start which can cause serious injury. Disconnect battery before servicing.  
**WARNUNG**  
 Der Generator kann automatisch anspringen und schwere Verletzungen verursachen. Vor der Instandsetzung die Batterieverbindungen lösen.  
**ADVERTENCIA**  
 El generador puede arrancar automáticamente, lo que puede causar graves lesiones. Desconecte la batería antes de realizar el servicio técnico.  
**AVERTISSEMENT**  
 La génératrice peut démarrer automatiquement, ce qui peut entraîner des blessures graves. Débrancher la batterie avant de faire l'entretien.

**10**

**11**

**12**

**13**

**14**

**Operator's manual must be stored on machine. Replacement operator's manual can be ordered through your local Generac distributor.**  
**Das Benutzerhandbuch muss an der Maschine aufbewahrt werden. Zur Bestellung von Ersatzhandbüchern wenden Sie sich bitte an Ihren Generac-Händler.**  
**El manual del operador debe guardarse en la máquina. Puede solicitar un manual del operador de reemplazo a través de su distribuidor local de Generac.**  
**Ranger le manuel de l'utilisateur avec l'appareil. Un manuel de rechange peut être commandé auprès de votre distributeur Generac local.**

**1000023884**

**On Back of Cabinets (2)**

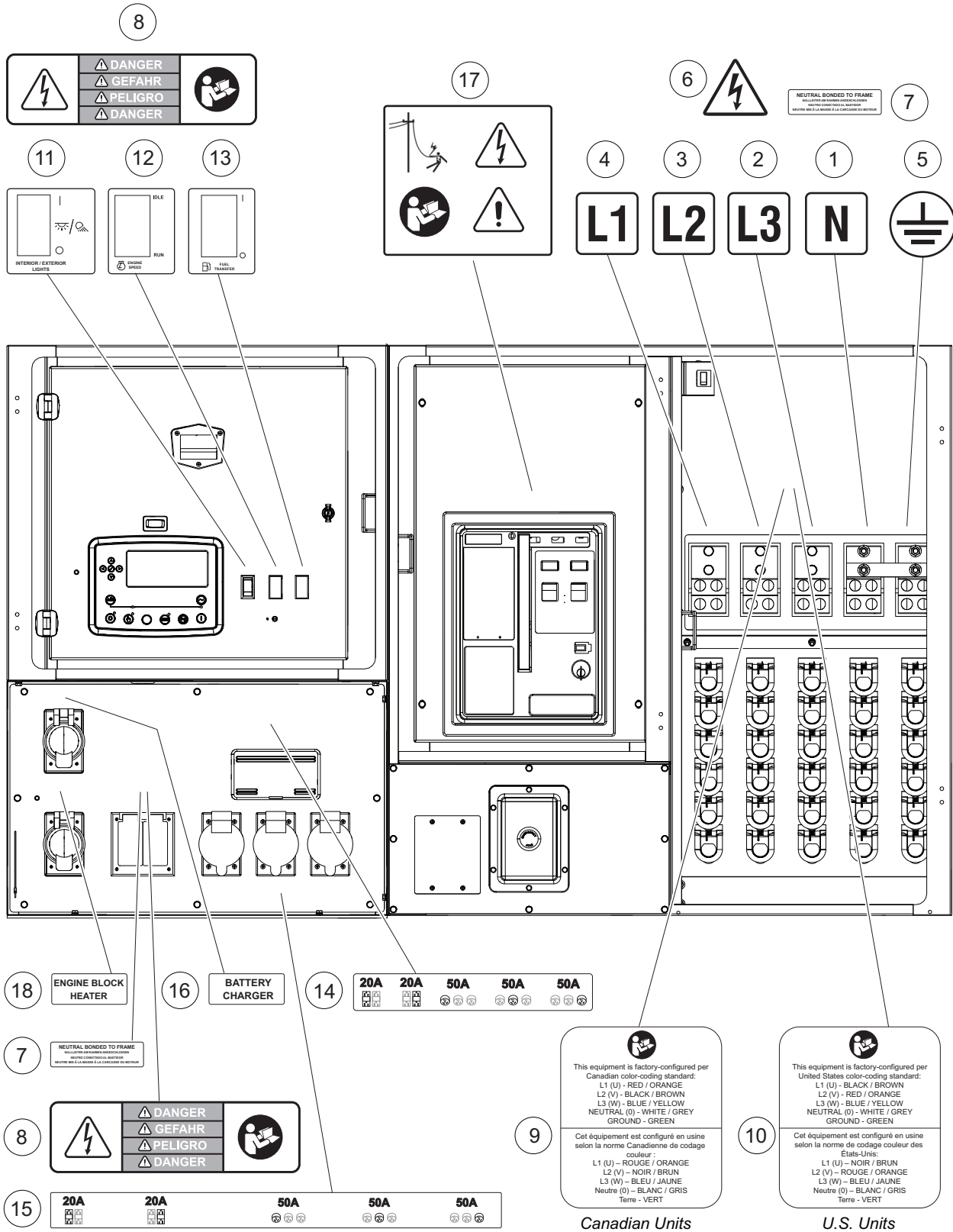
**7**

03713

## UNIT DECALS - INTERIOR

Item	Part No.	Qty	Description	Notes
1	10000022644	2	DECAL FANBELT BLADE TEMP GUARD	
2	10000022551	2	DECAL RADIATOR FILL HAZARD	
3	10000023884	1	DECAL OPERATOR MANUAL STORAGE	
4	10000022308	1	DECAL GROUND	
5	A0001944388	1	DECAL BATTERY DISCONNECT MOBILE	
6	10000022667	2	DECAL GEN GUARD TEMP WARNING	
7	10000023198	2	DECAL ELECT DANGER READ MANUAL	
8	10000024164	1	DECAL DANGER GENERATOR BACKFEED	
9	10000024178	1	DECAL WARNING BATT DISCONNECT	
10	21495	1	DECAL, RECONNECT BOX 4 LANG.	
11	A0002352127	1	DECAL ISO BATTERY EXPLOSION	
12	10000019237	2	DECAL ISO PINCH POINT	
13	A0002352120	2	DECAL ISO ALTERNATOR LIFT	
14	10000022628	2	DECAL ELECTRICAL HAZARD	

# UNIT DECALS - CONTROL/ELECTRICAL PANEL



9  
 This equipment is factory-configured per Canadian color-coding standard:  
 L1 (U) - RED / ORANGE  
 L2 (V) - BLACK / BROWN  
 L3 (W) - BLUE / YELLOW  
 NEUTRAL (0) - WHITE / GREY  
 GROUND - GREEN  
 Cet équipement est configuré en usine selon la norme Canadienne de codage couleur:  
 L1 (U) - ROUGE / ORANGE  
 L2 (V) - NOIR / BRUN  
 L3 (W) - BLEU / JAUNE  
 Neutre (0) - BLANC / GRIS  
 Terre - VERT  
**Canadian Units**

10  
 This equipment is factory-configured per United States color-coding standard:  
 L1 (U) - BLACK / BROWN  
 L2 (V) - RED / ORANGE  
 L3 (W) - BLUE / YELLOW  
 NEUTRAL (0) - WHITE / GREY  
 GROUND - GREEN  
 Cet équipement est configuré en usine selon la norme de codage couleur des États-Unis:  
 L1 (U) - NOIR / BRUN  
 L2 (V) - ROUGE / ORANGE  
 L3 (W) - BLEU / JAUNE  
 Neutre (0) - BLANC / GRIS  
 Terre - VERT  
**U.S. Units**

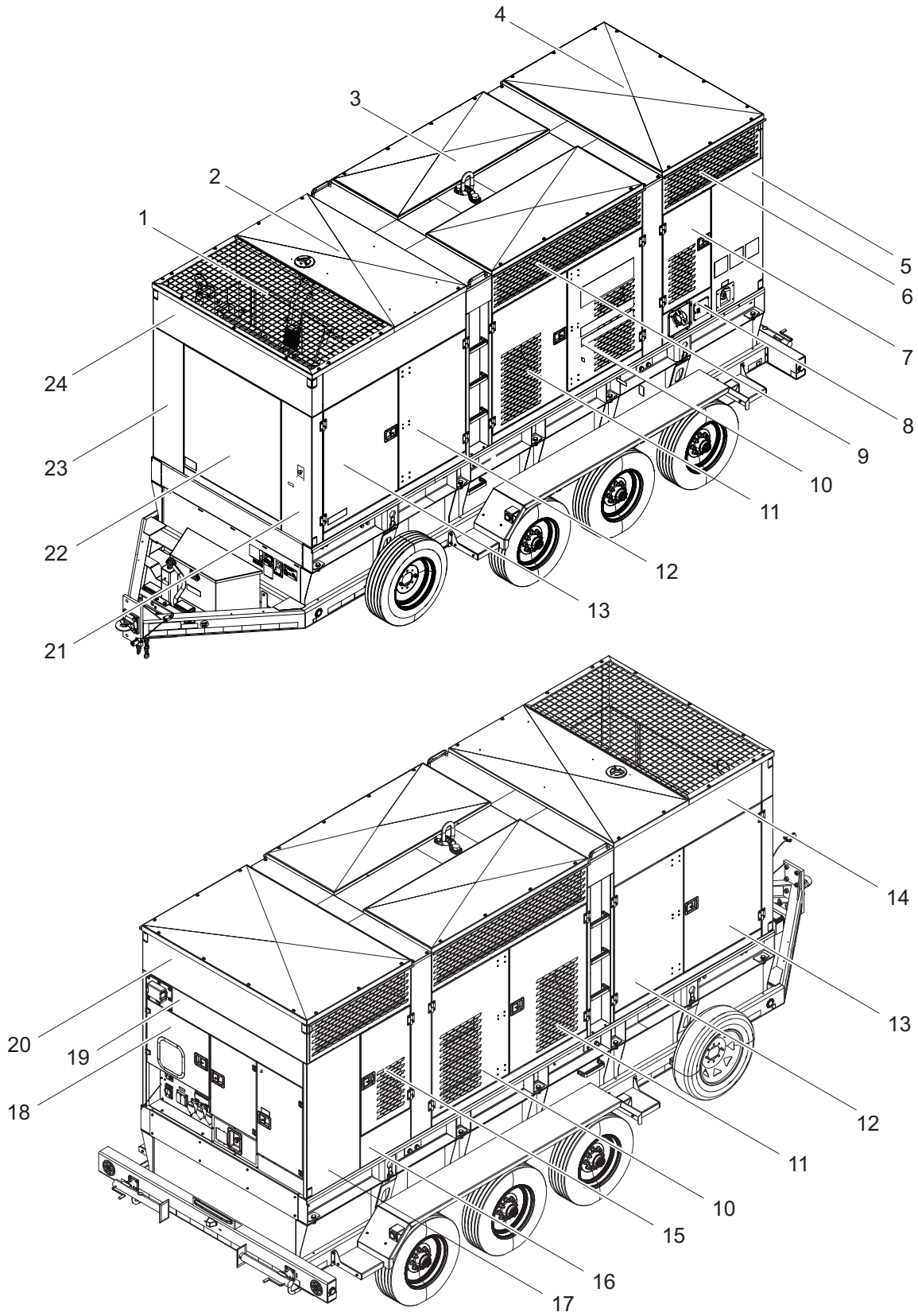
03714



## UNIT DECALS - CONTROL/ELECTRICAL PANEL

Item	Part No.	Qty	Description	Notes
1	10000022376	1	DECAL CONNECTION LUG NEU 32MM	
2	10000022382	1	DECAL CONNECTION LUG L3 32MM	
3	10000022328	1	DECAL CONNECTION LUG L2 32MM	
4	10000022346	1	DECAL CONNECTION LUG L1 32MM	
5	10000035617	2	DECAL IEC PE GROUND	
6	10000022628	1	DECAL ELECTRICAL HAZARD	
7	10000023204	1	DECAL NEUTRAL BONDED TO FRAME	
8	10000023198	1	DECAL ELECT DANGER READ MANUAL	
9	A0001656955	1	DECAL CANADIAN CAMLOK SINGLE-PIN	
10	A0001656956	1	DECAL US CAMLOK SINGLE-PIN	
11	A0002747142	1	DECAL INT-EXT LIGHT SWITCH MDE	
12	A0002747143	1	DECAL ENGINE SPEED SWITCH MDE	
13	A0002747144	1	DECAL FUEL TRANSFER SWITCH MDE	
14	A0002299410	1	DECAL, RECEPTACLE BREAKER LAYOUT	
15	A0002299409	1	DECAL, RECEPTACLE LAYOUT	
16	21259	1	DECAL, BATTERY CHARGER	
17	A0002355992	1	DECAL ISO GENERATOR BACKFEED	
18	28964	1	DECAL, ENGINE BLOCK HEATER	

# ENCLOSURE PANELS

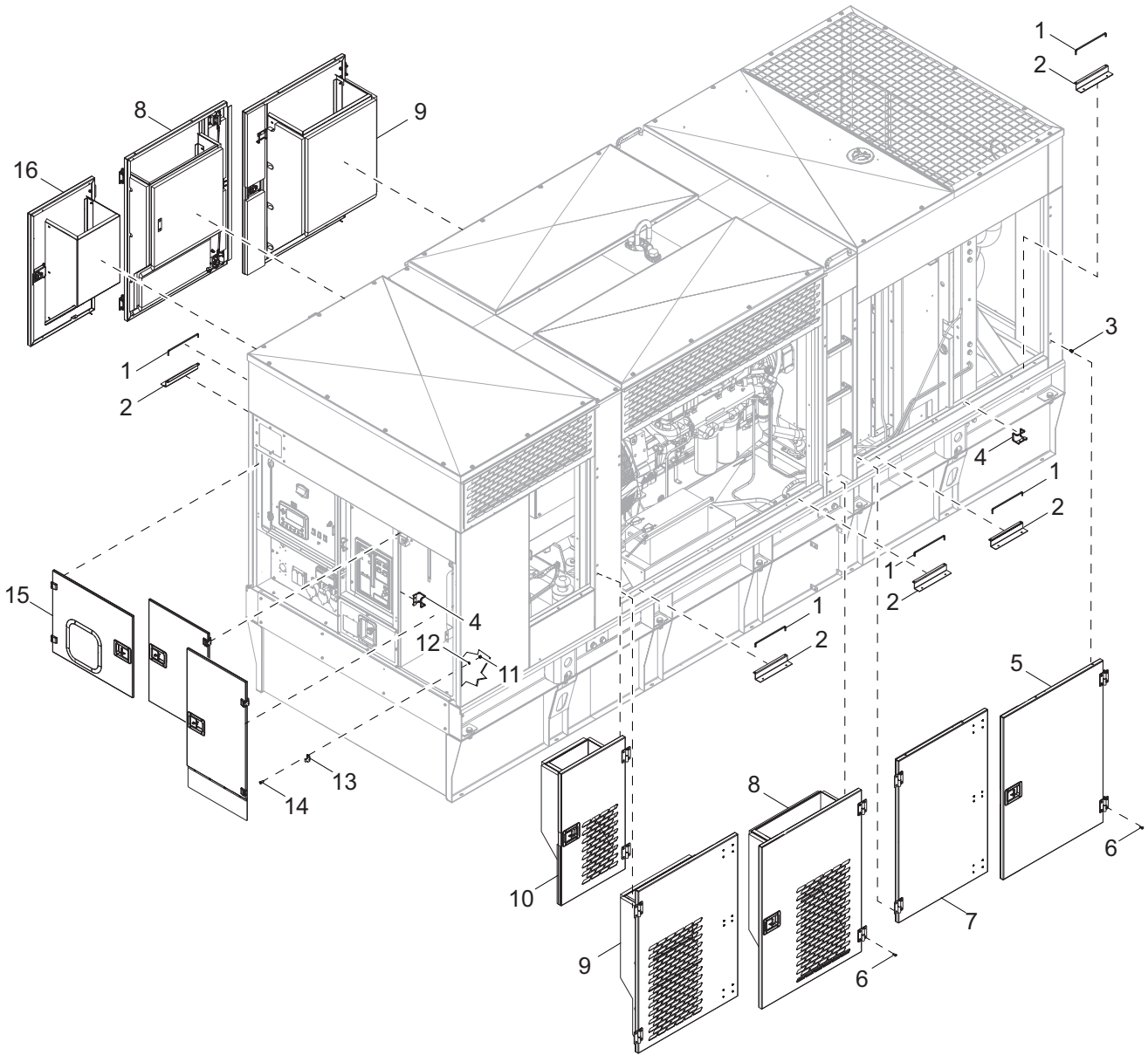


03715

## ENCLOSURE PANELS

Item	Part No.	Qty	Description	Notes
1	A0001649744	1	ST05 ENCL ROOF EXHAUST GRATE	
2	A0001642494	1	ST05 ENCL ROOF FRONT RAD	
3	A0001642345	1	ST05 ENCL ROOF MID	
4	A0001642238	1	ST05 ENCL DUCT REAR ROOF	
5	A0001642500	1	ST05 ENCL CORNER REAR LH	
6	A0001713838	1	ST05 ENCL SIDE LH VENTED	
7	-	1	DOOR LH REAR	<a href="#">Page 22</a>
8	A0001641330	1	ST05 ENCL SIDE REAR DOOR FUEL	
9	A0001713837	2	ST05 ENCL SIDE MID VENTED	
10	-	2	DOOR DD NO HANDLE VENTED	<a href="#">Page 18</a>
11	-	2	DOOR DD HANDLE VENTED	<a href="#">Page 20</a>
12	-	2	DOOR DD NO HANDLE	<a href="#">Page 14</a>
13	-	2	DOOR DD HANDLE	<a href="#">Page 12</a>
14	A0001641313	1	ST05 ENCL REAR DUCT BACK PANEL	
15	-	1	DOOR RH REAR	<a href="#">Page 24</a>
16	A0001641341	1	ST05 ENCL SIDE REAR DOOR BLANK	
17	A0001638844	1	ST05 ENCL CORNER FRONT LH	
18	-	1	DOOR CONTROLS	<a href="#">Page 16</a>
19	A0001642224	1	ST05 ENCL REAR FILLER	
20	A0001713836	1	ST05 ENCL REAR BLANK PANEL	
21	A0001641269	1	ST05 ENCL CORNER FRONT LH	
22	A0001642208	1	ST05 ENCL FRONT PANEL	
23	A0001641293	1	ST05 ENCL FRONT LH CORNER POST	
24	A0001641276	1	ST05 ENCL FRONT DISCHARGE WRAP	

# DOORS TO UNIT

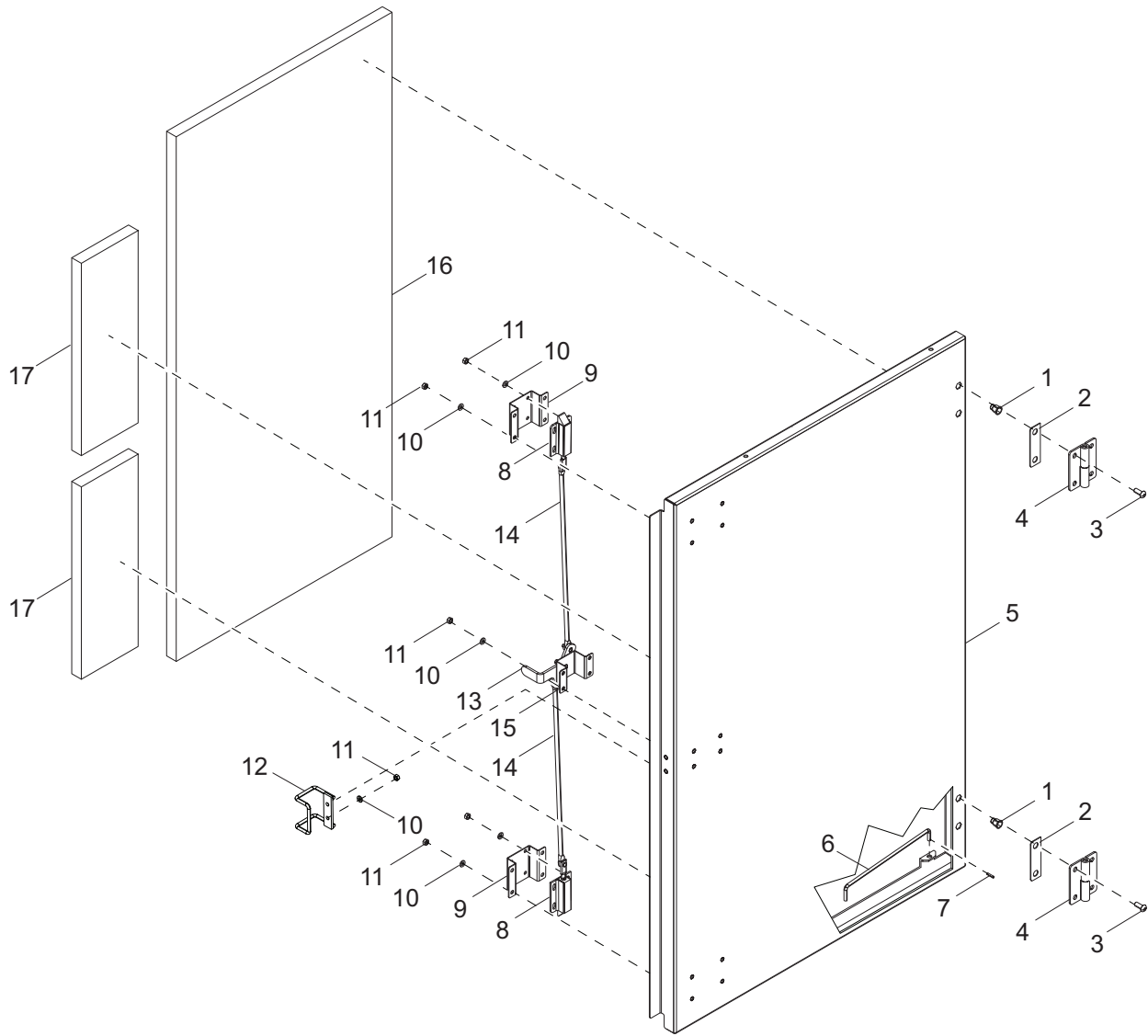


03716

## DOORS TO UNIT

Item	Part No.	Qty	Description	Notes
1	18900ZC	10	ROD, DOOR PROP	
2	A0002057894	10	ST05 DOOR PROP ANCHOR BRACKET	
3	0A8540	40	NUT LOCK TRIC M8 X 1.25 Y/ZNC	
4	A0001073997	14	STRIKER 2 POINT LATCH	
5	-	2	DOOR DD HANDLE	<a href="#">Page 12</a>
6	0A5991	40	SCREW BHSC M8-1.25 X 20 SS	
7	-	2	DOOR DD NO HANDLE	<a href="#">Page 14</a>
8	-	2	DOOR DD HANDLE VENTED	<a href="#">Page 18</a>
9	-	2	DOOR DD NO HANDLE VENTED	<a href="#">Page 20</a>
10	-	1	DOOR RH REAR	<a href="#">Page 24</a>
11	0B2236	12	NUT HEX LOCK M6-1 NY INS	
12	G049811	12	WASHER FLAT M6	
13	A0000984389	6	HINGE ASSEMBLY	
14	0J4525	12	SCREW PFHM M6-1.0 X 16	
15	A0001641269	1	ST05 ENCL CORNER FRONT LH	
16	-	1	DOOR LH REAR	<a href="#">Page 22</a>

# DOUBLE DOOR ASSEMBLY - RIGHT

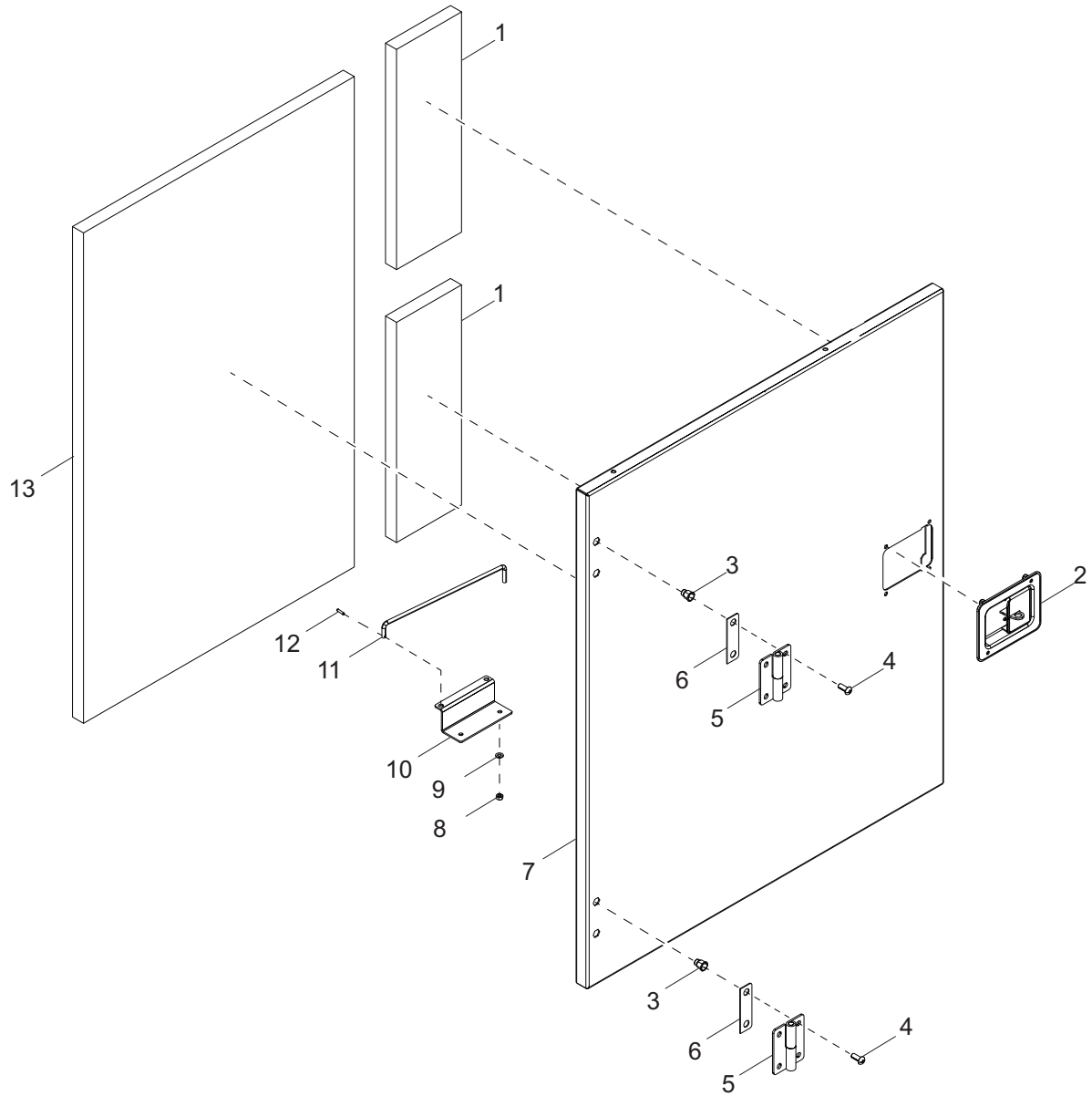


03717

## DOUBLE DOOR ASSEMBLY - RIGHT

Item	Part No.	Qty	Description	Notes
1	0A8540	4	NUT LOCK TRIC M8 X 1.25 Y/ZNC	
2	0C2655	2	GASKET, M8 HINGE	
3	0A5991	4	SCREW BHSC M8-1.25 X 20 SS	
4	0C3595	1	ASSY M8 HINGE LH TOP	
5	A0001642291	1	ST05 ENCL DOOR WLDMT REAR SERIES 3	
6	18900ZC	1	ROD, DOOR PROP	
7	60048	1	PIN, ROLL - .125X.625 ZP	
8	A0001003208	2	ROD CAM 2 POINT LATCH	
9	A0000985452	2	ST05 ENCL DOOR LATCH MNT 2P	
10	G049811	20	WASHER FLAT M6	
11	0B2236	20	NUT HEX LOCK M6-1 NY INS	
12	A0001003394	1	STRIKER 2 POINT LATCH ZINC	
13	A0001004871	1	HANDLE DD INSIDE SERIES	
14	A0001028125	2	ROD 2 POINT LATCH 266.7MM LG	
15	A0000985395	1	ST05 ENCL DOOR DD HANDLE MNT	
16	A0003702829	1	INSUL DOOR DD BODY	
17	A0003704002	2	INSUL DOOR REAR HANDLE	

# DOUBLE DOOR ASSEMBLY - LEFT



03718

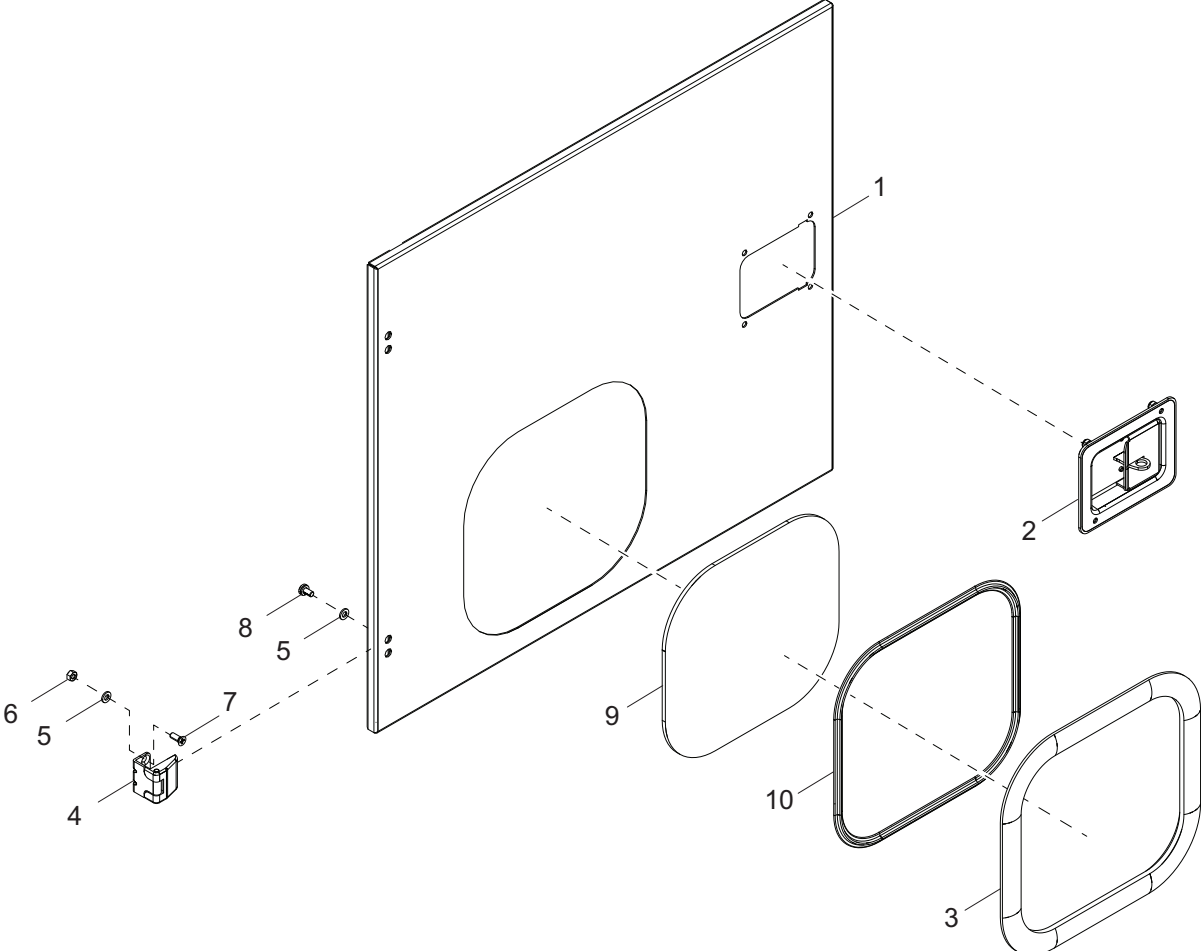


## DOUBLE DOOR ASSEMBLY - LEFT

Item	Part No.	Qty	Description	Notes
1	A0003704005	2	INSUL DOOR DD HANDLE	
2	A0002056735	1	HANDLE SINGLE POINT SS	
3	0A8540	4	NUT LOCK TRIC M8 X 1.25 Y/ZNC	
4	0A5991	4	SCREW BHSC M8-1.25 X 20 SS	
5	0C3595	2	ASSY M8 HINGE LH TOP	
6	0C2655	2	GASKET, M8 HINGE	
7	A0001642297	1	ST05 ENCL DOOR WLDMT HANDLE SERIES 3	
8	0B2236	2	NUT HEX LOCK M6-1 NY INS	
9	G049811	2	WASHER FLAT M6	
10	A0001075320	1	ST05 DOOR PROP ANCHOR BRACKET	
11	18900ZC	1	ROD, DOOR PROP	
12	60048	1	PIN, ROLL - .125X.625 ZP	
13	A0003702778	1	INSUL DOOR DD BODY	

**CONTROL DOOR ASSEMBLY**

---



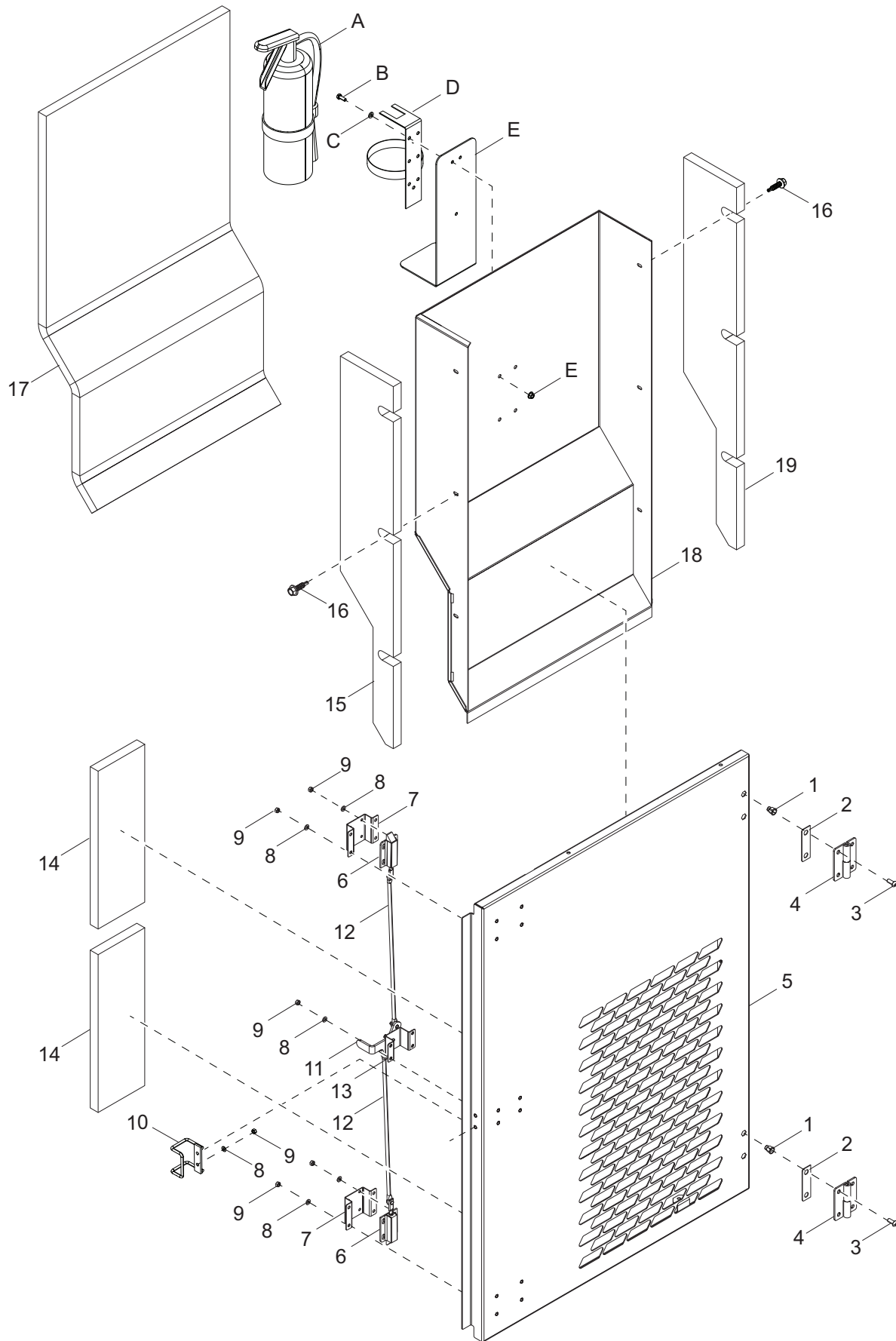
03719

**CONTROL DOOR ASSEMBLY**

---

<b>Item</b>	<b>Part No.</b>	<b>Qty</b>	<b>Description</b>	<b>Notes</b>
1	A0000988435	1	WLDMNT DOOR CONTROLS EXTERIOR SERIES	
2	A0002056735	1	HANDLE SINGLE POINT SS	
3	MK1019A03	1	GASKET, LOCKING,1.05X.25X.06	
4	A0000984389	2	HINGE ASSEMBLY	
5	G049811	4	M6 WASHER	
6	0B2236	4	NUT HEX LOCK M6-1 NY INS	
7	0J4525	4	SCREW PFHM M6-1.0 X 16	
8	G078606	4	SCREW PPHMS M6-1.0 X 12	
9	A0000938706	1	CONTROLS DOOR WINDOW	
10	MK1019A02	1	STRIP, LOCK WINDOW	

# VENTED DOOR ASSEMBLY - RIGHT



03720

## VENTED DOOR ASSEMBLY - RIGHT

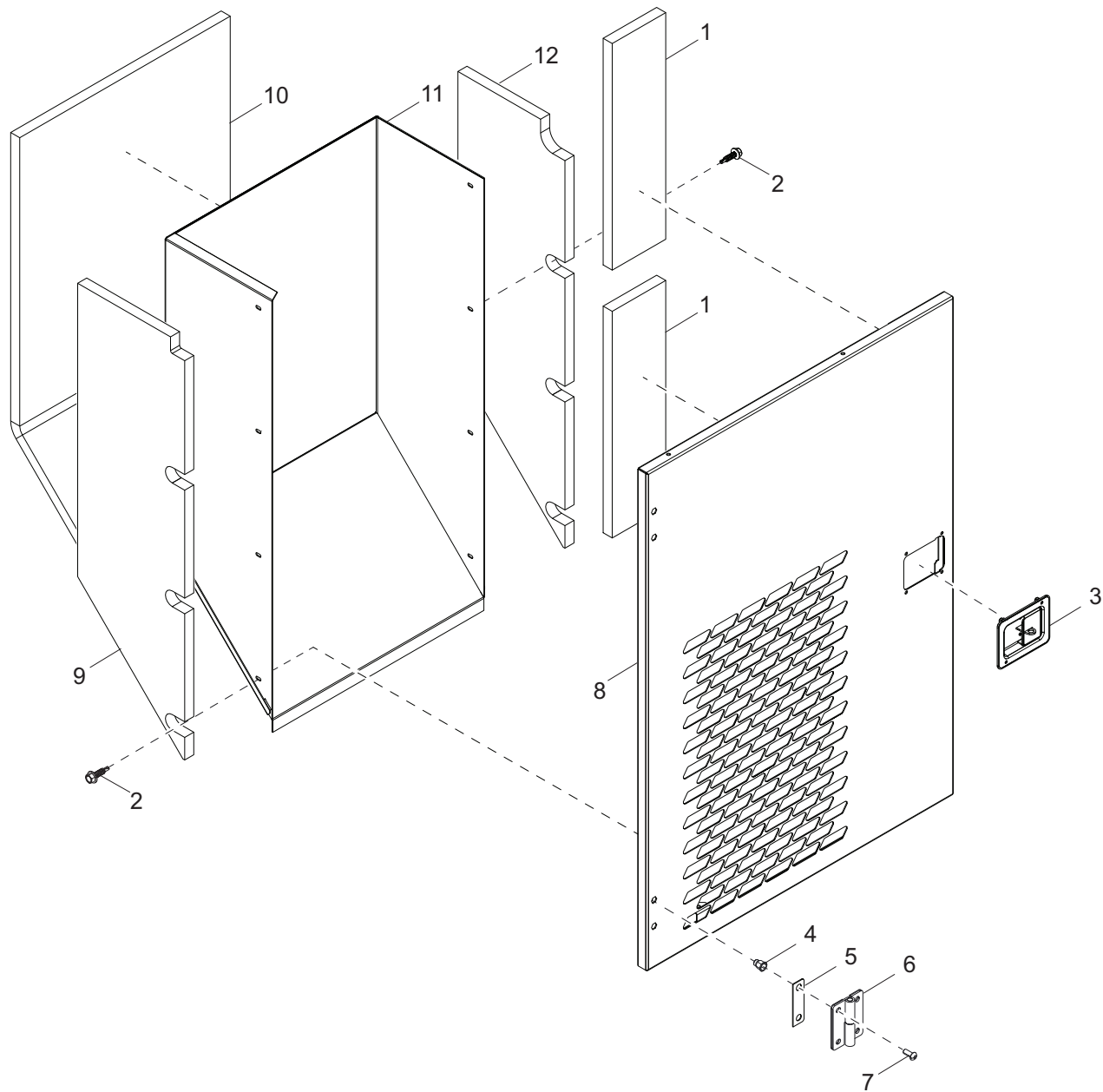
Item	Part No.	Qty	Description	Notes
1	0A8540	4	NUT LOCK TRIC M8 X 1.25 Y/ZNC	
2	0C2655	2	GASKET,M8 HINGE	
3	0A5991	4	SCREW BHSC M8-1.25 X 20 SSSS	
4	0C3595	1	ASSY M8 HINGE LH TOP	
5	A0001641337	1	ST05 ENCL DOOR WLDMT DD NO HANDLE	
6	A0001003208	2	ROD CAM 2 POINT LATCH	
7	A0000985452	2	ST05 ENCL DOOR LATCH MNT 2P	
8	G049811	20	WASHER FLAT M6	
9	0B2236	20	NUT HEX LOCK M6-1 NY INS	
10	A0001003394	1	STRIKER 2 POINT LATCH ZINC	
11	A0001004871	1	HANDLE DD INSIDE SERIES	
12	A0001028125	2	ROD 2 POINT LATCH 266.7MM LG	
13	A0000985395	1	ST05 ENCL DOOR DD HANDLE MNT	
14	A0003704002	1	INSUL FRONT DOOR BODY	
15	A0003704067	2	INSUL DOOR REAR HANDLE	
16	0C2454	6	SCREW HWHT M6-1 X 12 N WA Z/JS	
17	A0003704063	1	INSUL DOOR MID DUCT RH SERIES 3	
18	A0002057866	1	AL05 ENCL DOOR DD NO HANDLE 1 DUCT	
19	A0003704066	1	INSUL DOOR MID DUCT LH SERIES 3	

### OPTIONAL FEATURES

#### *FIRE EXTINGUISHER (if equipped):*

A	14509	1	FIRE EXTINGUISHER - 5 LBS.	
B	G047411	3	SCREW HHC M6-1.0 X 16 C8.8	
C	G049811	3	WASHER FLAT M6	
D	14509	1	FIRE EXTINGUISHER - 5 LB BRACKET	w/fire extinguisher
E	A0002276701	1	ST03 FIRE EXTINGUISHER BRACKET	
F	0E8388	3	NUT HEX FL WHIZ M6-1.0	
--	A0000467059	1	DECAL FIRE EXTINGUISHER INSIDE	

# VENTED DOOR ASSEMBLY - LEFT

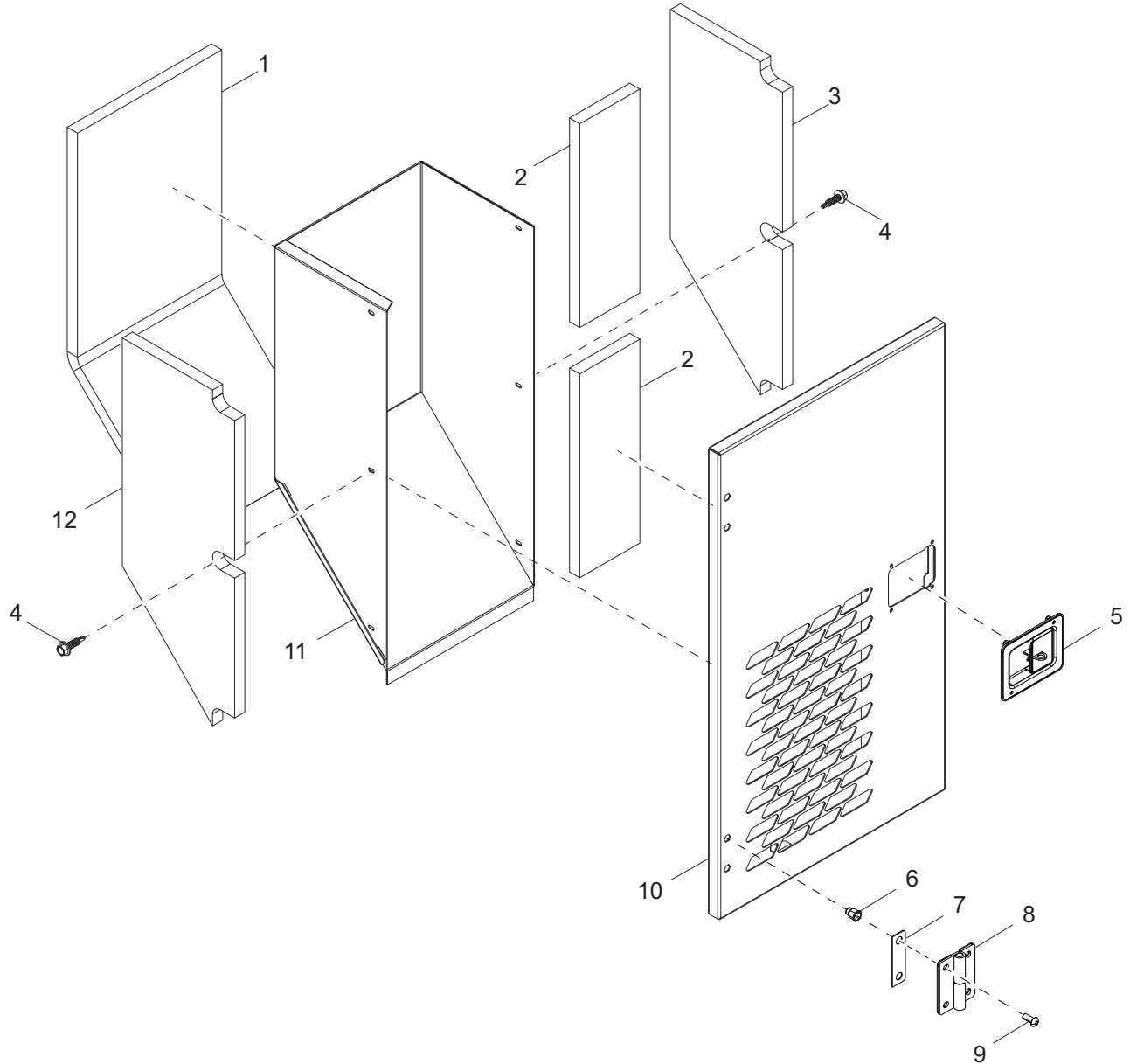


03749

## VENTED DOOR ASSEMBLY - LEFT

Item	Part No.	Qty	Description	Notes
1	A0003704005	1	INSUL DOOR DD HANDLE SERIES 3	
2	0C2454	6	SCREW HWHT M6-1 X 12 N WA Z/JS	
3	A0002056735	1	HANDLE SINGLE POINT ZPS	
4	0A8540	4	NUT LOCK TRIC M8 X 1.25 Y/ZNC	
5	0C2655	2	GASKET, M8 HINGE	
6	0C3595	2	ASSY M8 HINGE LH TOP	
7	0A5991	4	SCREW BHSC M8-1.25 X 20 SSSS	
8	A0002057874	1	ST05 ENCL LH DOOR WLDMT HANDLE VENTED	
9	A0003704073	1	INSUL DOOR FRONT DUCT RH SERIES 3	
10	A0003704069	1	INSUL DOOR FRONT DUCT SERIES 3	
11	A0002057880	1	AL05 ENCL DUCT DOOR DD W/ HANDLE	

# VENTED DOOR ASSEMBLY - LR



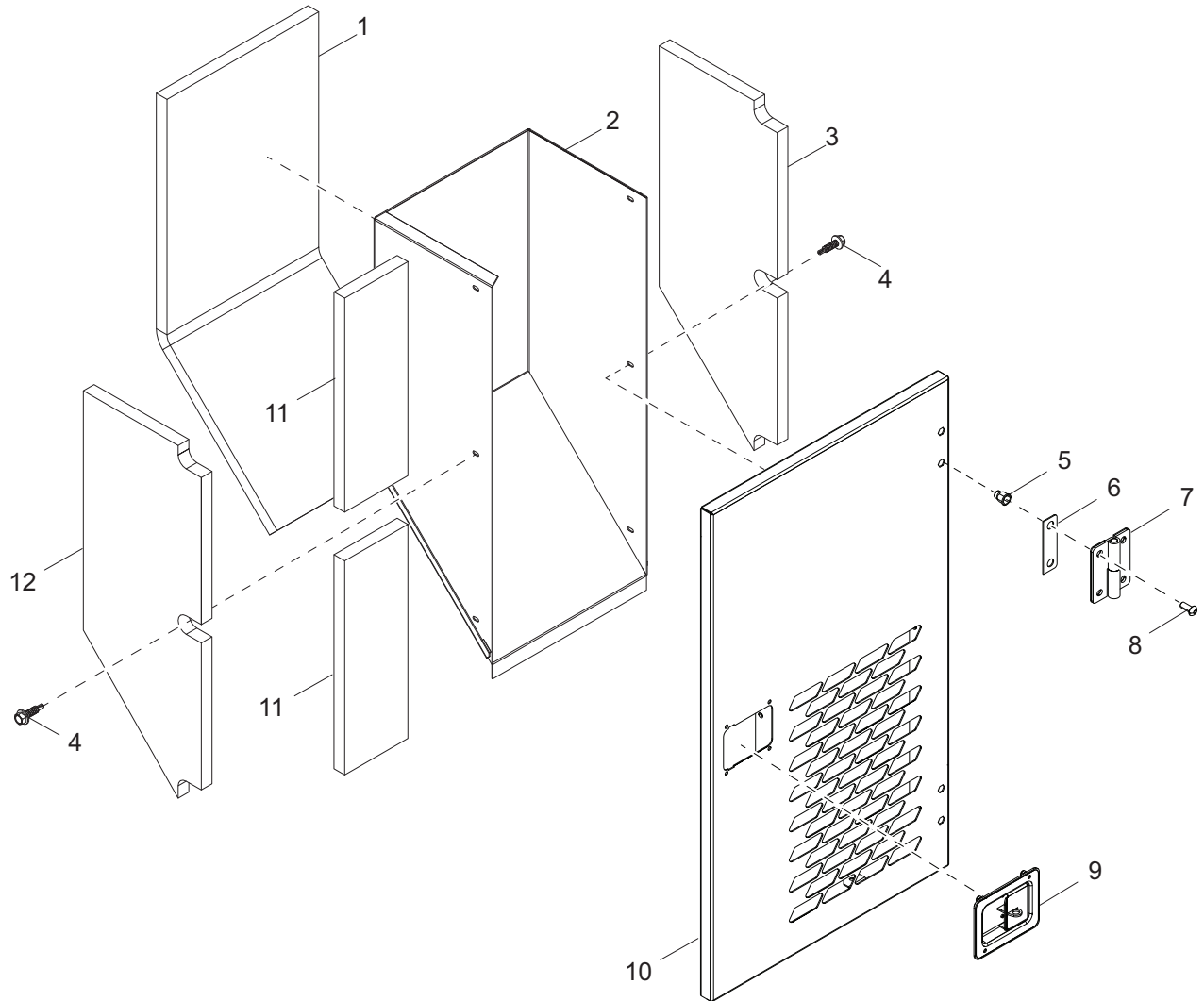
03721



## VENTED DOOR ASSEMBLY - LR

Item	Part No.	Qty	Description	Notes
1	A0003704055	1	INSUL DOOR REAR DUCT SERIES 3	
2	A0003704002	2	INSUL DOOR REAR HANDLE SERIES 3	
3	A0003704056	1	INSUL DOOR REAR DUCT LH SERIES 3	
4	0C2454	6	SCREW HWHT M6-1 X 12 N WA Z/JS	
5	A0002056735	1	HANDLE SINGLE POINT SS	
6	0A8540	4	NUT LOCK TRIC M8 X 1.25 Y/ZNC	
7	0C2655	2	GASKET, M8 HINGE	
8	0C3595	2	ASSY M8 HINGE LH TOP	
9	0A5991	4	SCREW BHSC M8-1.25 X 20 SSSS	
10	A0001642291	1	ST05 ENCL DOOR WLDMT REAR	
11	A0002057887	1	AL05 BAFFLE DOOR	
12	A0003704061	1	INSUL DOOR REAR DUCT RH SERIES 3	

# VENTED DOOR ASSEMBLY - RR

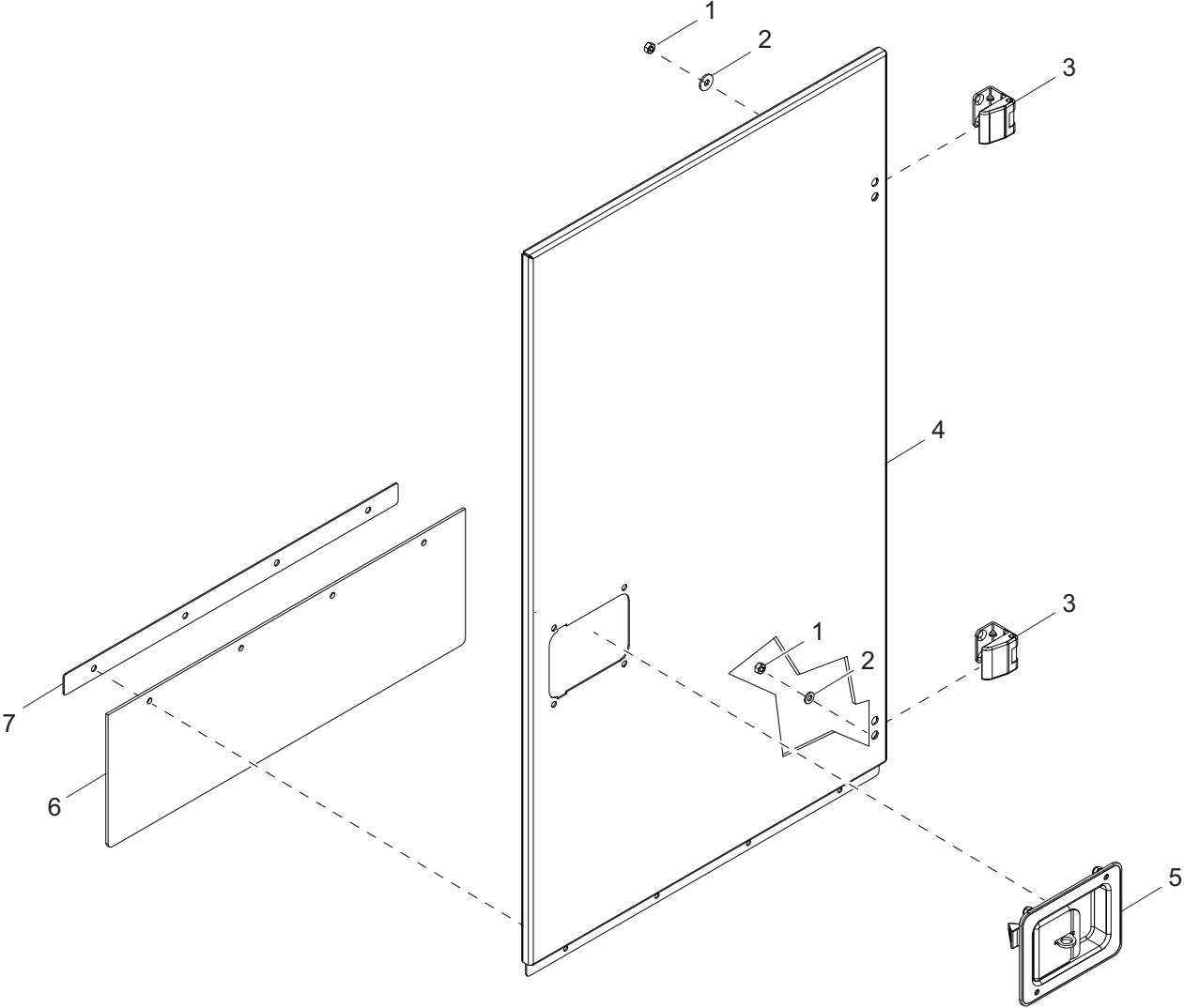


03722

## VENTED DOOR ASSEMBLY - RR

Item	Part No.	Qty	Description	Notes
1	A0003704055	1	INSUL DOOR REAR DUCT SERIES 3	
2	A0002057887	1	AL05 BAFFLE DOOR	
3	A0003704056	1	INSUL DOOR REAR DUCT LH SERIES 3	
4	0C2454	6	SCREW HWHT M6-1 X 12 N WA Z/JS	
5	0A8540	4	NUT LOCK TRIC M8 X 1.25 Y/ZNC	
6	0C2655	2	GASKET, M8 HINGE	
7	0C3595	2	ASSY M8 HINGE	
8	0A5991	4	SCREW BHSC M8-1.25 X 20 SSSS	
9	A0002056735	1	HANDLE SINGLE POINT SS	
10	A0002057889	1	ST05 ENCL DOOR WLDMT RH REAR	
11	A0003704002	2	INSUL DOOR REAR HANDLE SERIES 3	
12	A0003704061	1	INSUL DOOR REAR DUCT RH SERIES 3	

# DOOR ASSEMBLY - LUG BOX



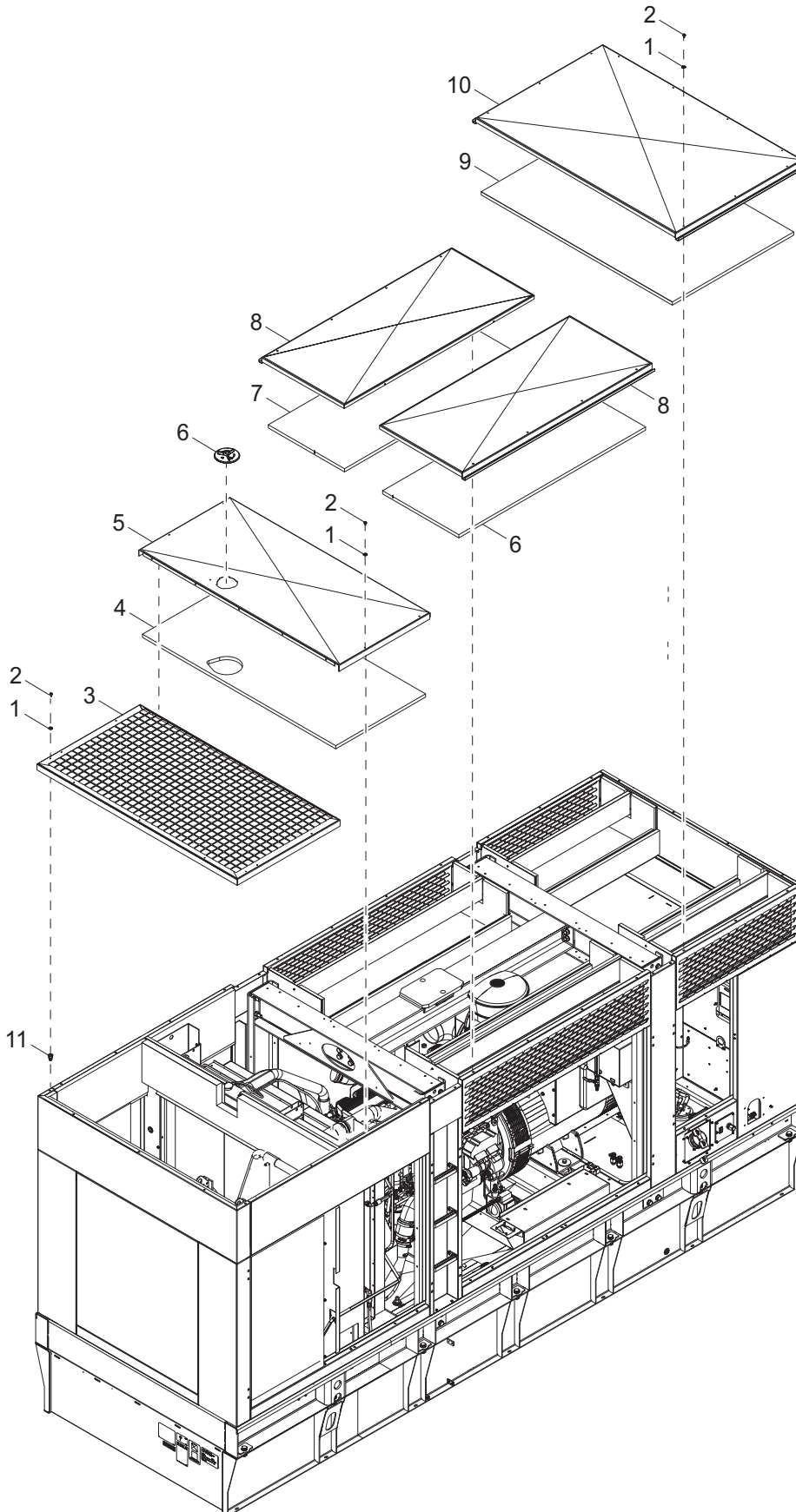
03723

## DOOR ASSEMBLY - LUG BOX

---

Item	Part No.	Qty	Description	Notes
1	0B2236	16	NUT HEX LOCK M6-1 NY INS	
2	G049811	16	WASHER FLAT M6	
3	A0000984389	2	HINGE ASSEMBLY	
4	A0001404688	1	ST05 WELDMENT DOOR EXT AC	
5	A0002056735	1	HANDLE SINGLE POINT SS	
6	A0001970589	1	FLAP DOOR	
7	A0001970667	4	ST05 DOOR FLAP CLAMP BAR SERIES 3	

# ROOF ASSEMBLY



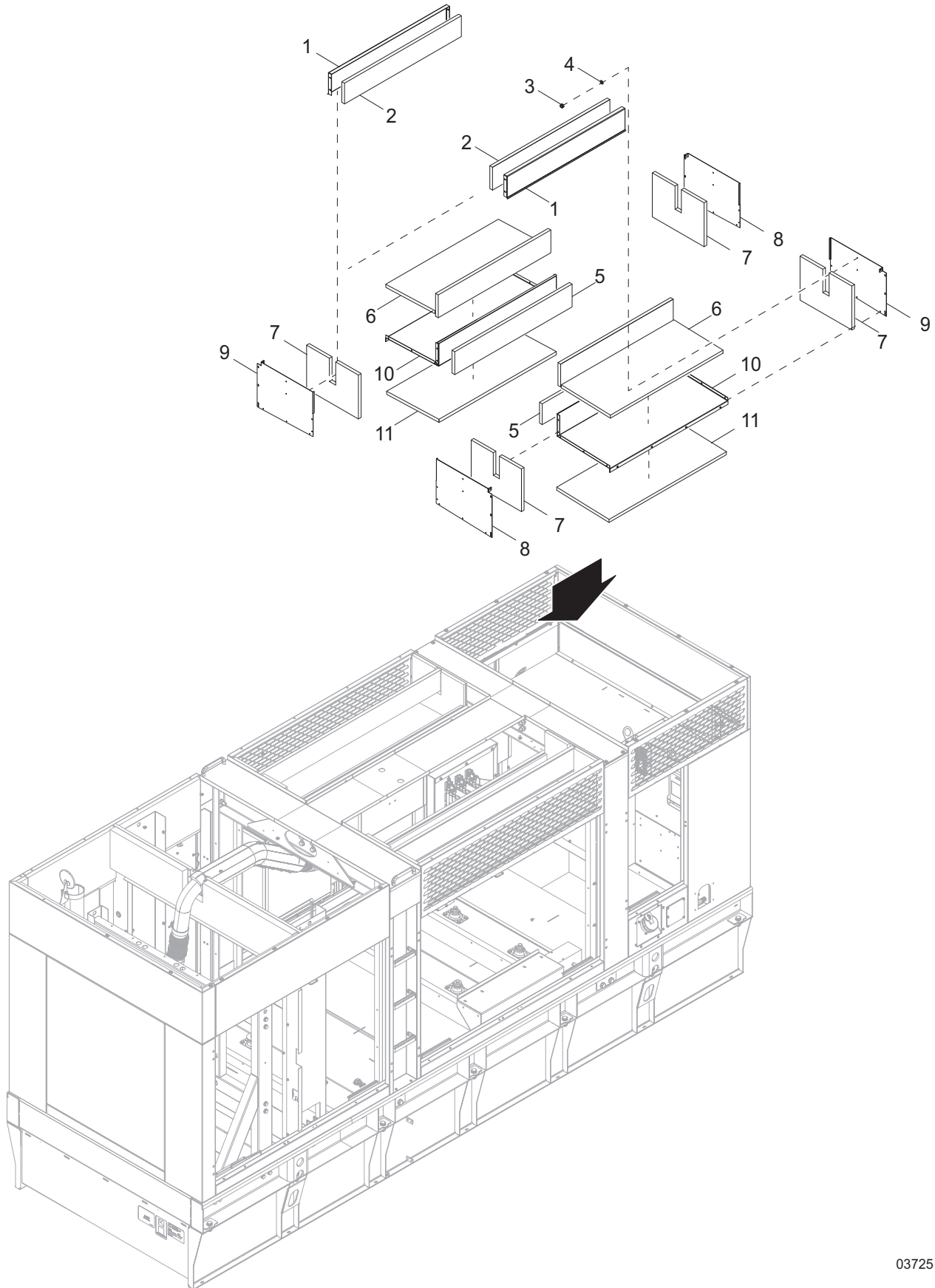
03724

## ROOF ASSEMBLY

---

Item	Part No.	Qty	Description	Notes
1	HW1053A00	35	WASHER, BONDED SEALING, GALV	
2	0K8641	35	SCREW HHFC M6-1.0 X 20 NYL WA	
3	A0001649744	1	ST05 ENCL ROOF EXHAUST GRATE SERIES 3	
4	A0003702789	1	INSUL FRONT ROOF SERIES 3	
5	A0001642494	1	ST05 ENCL ROOF FRONT RAD	
6	0C2634SERV	1	COVER,ACCESS GEN2000	
7	A0003702786	1	INSUL MID ROOF SERIES 3	
8	A0001642345	1	ST05 ENCL ROOF MID SERIES 3	
9	A0003702784	1	INSUL REAR ROOF SERIES 3	
10	A0001642238	1	ST05 ENCL DUCT REAR ROOF SERIES 3	
11	G092120	35	NUT LOCK TRIC M6 X 1.0 Y/ZNC	

# REAR Baffle Assembly



03725

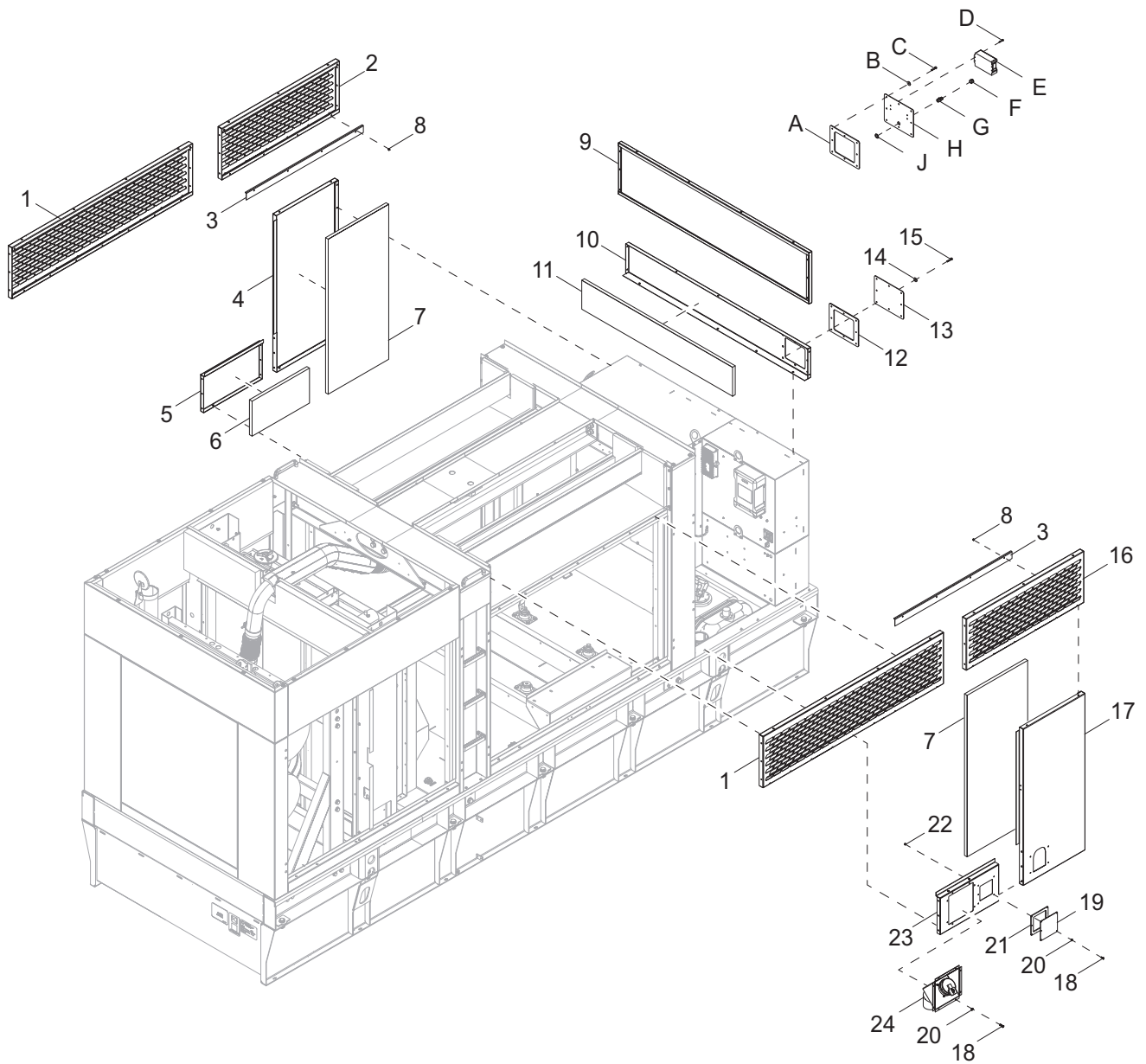


## REAR BAFFLE ASSEMBLY

---

Item	Part No.	Qty	Description	Notes
1	A0001713850	2	ST03 ENCL REAR DUCT BAFFLE	
2	A0003704027	2	INSUL REAR DUCT BAFFLE SERIES 3	
3	0B2236	7	NUT HEX LOCK M6-1 NY INS	
4	G049811	7	WASHER FLAT M6	
5	A0003704054	2	INSUL REAR DUCT BOTTOM 1 OUTSIDE SERIES 3	
6	A0003704020	2	INSUL REAR DUCT BOTTOM 2 OUTSIDE SERIES 3	
7	A0003704015	4	INSUL DUCT SIDE INSIDE SERIES 3	
8	A0001713844	1	ST03 ENCL DUCT LH	
9	A0001713847	1	ST03 ENCL DUCT RH	
10	A0001713849	2	ST03 ENCL REAR DUCT BOTT	
11	A0001706973	2	INSUL REAR DUCT BTTM 2 OUTSIDE SERIES 3	

# REAR PANEL ASSEMBLY



03869

## REAR PANEL ASSEMBLY

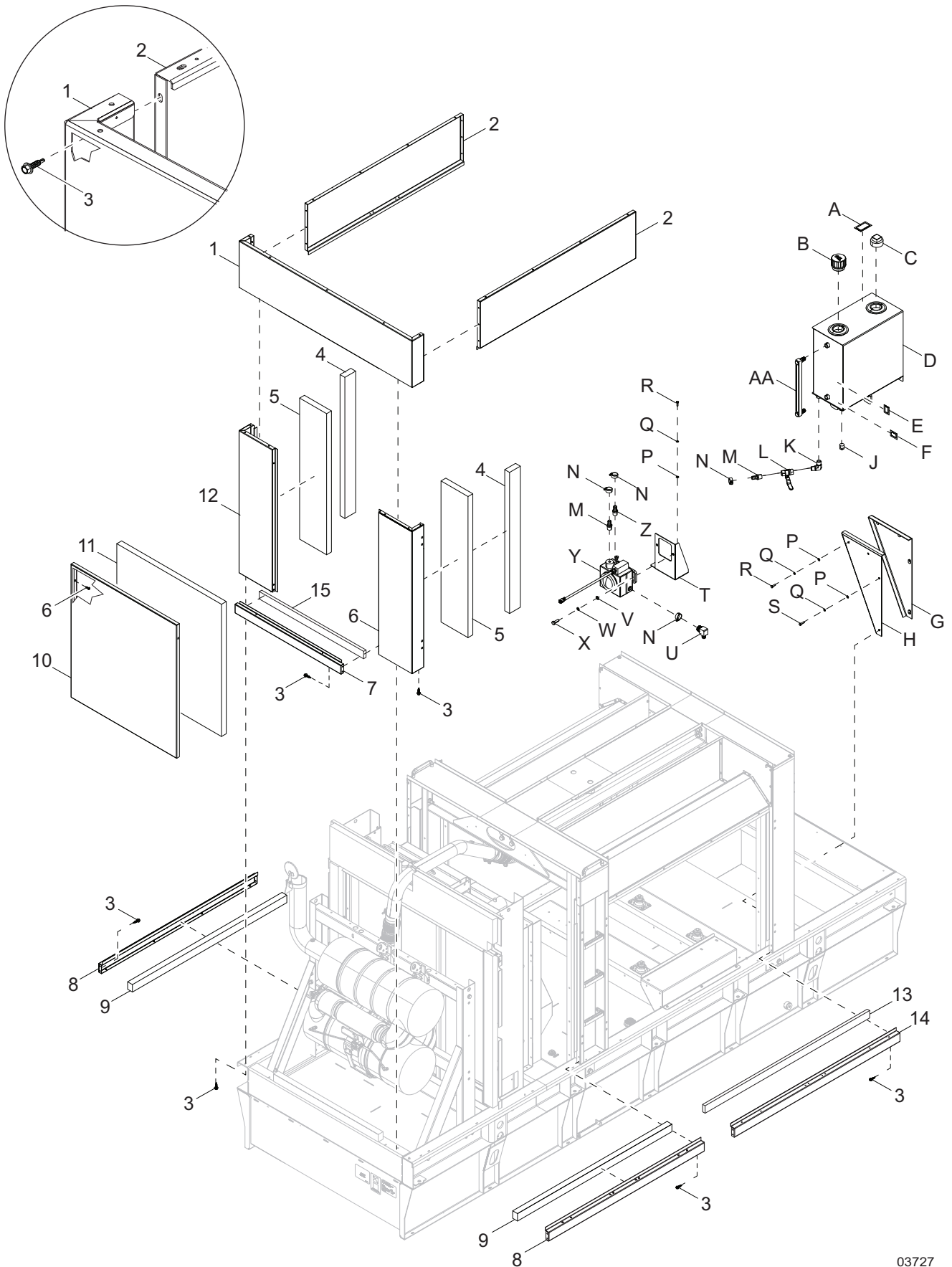
Item	Part No.	Qty	Description	Notes
1	A0001713837	2	ST05 ENCL SIDE MID VENTED	
2	A0001713839	1	ST05 ENCL SIDE RH VENTED	
3	A0001638840	2	ST05 ENCL DOOR SEAL PLATE REAR	
4	A0001638844	1	ST05 ENCL CORNER REAR RH	
5	A0001641341	1	ST05 ENCL SIDE REAR DOOR BLANK	
6	A0003702792	1	INSUL REAR SIDE RAIL SERIES 3	
7	A0003702799	2	INSUL REAR CORNER 1 SERIES 3	
8	0C2454	8	SCREW HWHT M6-1 X 16 N WA Z/JS	
9	A0001713836	1	ST05 ENCL REAR BLANK PANEL	
10	A0001642224	1	ST05 ENCL REAR FILLER	
11	A0003702797	1	INSUL REAR FILLER SERIES 3	
12	A0000389488	1	GASKET, NO TELEMETRY COVER	
13	A0001958809	1	ST05 PLATE NO ZTR	
14	60452	8	WASHER, .313 FLAT 1.125/1.000 18-8 SS BO	
15	0G6131	8	SCREW HHC M6-1.00 X 30 C8.8 FT	
16	A0001713838	1	ST05 ENCL SIDE LH VENTED	
17	A0001642500	1	ST05 ENCL CORNER REAR LH	
18	61180	14	SCREW, 10-32X.750 PAN PHIL 18-8 SS	
19	A0001979801	1	ST05 BLOCK OFF AUX FILL SERIES 3	
20	61222	14	WASHER, #10 SEALING	
21	10000037021	1	GASKET RUBBER SEAL EXT TANKS	
22	61045	6	NUT, 10-32 SFLG ZC	
23	A0001641330	1	ST05 ENCL SIDE REAR DOOR FUEL	
24	10000019989	1	ASSY - DIESEL FILL	

### OPTIONAL FEATURES

#### TELEMETRY (if equipped)

A	A0000389488	1	GASKET, NO TELEMETRY COVER
B	60067	6	WASHER, #10 FLAT .435/.060 18-8 SS
C	0G6131	6	SCREW HHC M6-1.00 X 30 C8.8 FT
D	61180	4	SCREW, 10-32X.750 PAN PHIL 18-8 SS
E	A0000385540	1	TELEMETRY ZTR M8 UR 7310MKII MODBUS
F	15861	1	NUT, SPECIAL, .500 NPT LOCK
G	15863	1	STRAIN RLF, .50 NPT .260/546 ID, WT - TOP
H	A0001956503	1	ST05 PLATE ZTR
J	15863	1	STRAIN RLF, .50 NPT .260/546 ID, WT - BOTTOM

# FRONT ENCLOSURE ASSEMBLY



03727

## FRONT ENCLOSURE ASSEMBLY

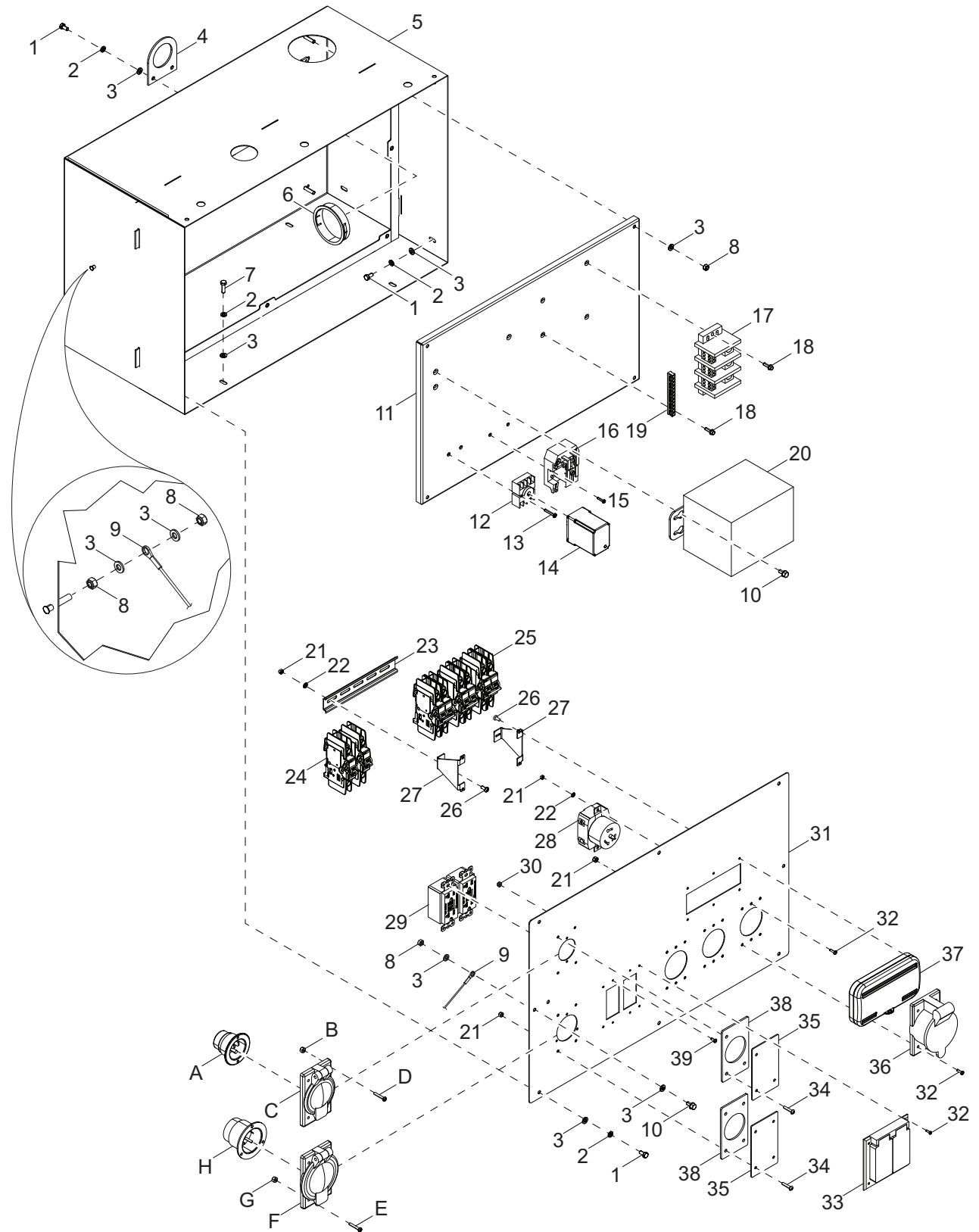
Item	Part No.	Qty	Description	Notes
1	A0001641276	1	ST05 ENCL FRONT DISCHARGE WRAP	
2	A0001641313	2	ST05 ENCL SIDE DISCHARGE PANEL	
3	0C2454		SCREW HWHT M6-1 X 16 N WA Z/JS	
4	A0003702775	2	INSUL FRONT CORNER 2 SERIES 3	
5	A0003702773	2	INSUL FRONT CORNER 1 SERIES 3	
6	A0001641269	1	ST05 ENCL CORNER FRONT LH	
7	A0001642215	1	ST05 ENCL SIDE FRONT	
8	A0001642232	2	ST05 ENCL SIDE BOTT FRON PANEL	
9	A0003702761	2	INSUL FRONT SIDE RAIL SERIES 3	
10	A0001642208	1	ST05 ENCL FRONT PANEL	
11	A0003704007	1	INSUL FRONT PANEL SERIES 3	
12	A0001641293	1	ST05 ENCL FRONT LH CORNER POST	
13	A0001641316	2	ST05 ENCL SIDE MID DOOR	
14	A0003702795	2	INSUL MID SIDE RAIL SERIES 3	
15	A0003702765	1	INSUL FRONT CROSS SERIES 3	

### OPTIONAL FEATURES

#### *OIL LEVEL MAINTAINER KIT (if equipped)*

A	A0002280767	1	DECAL ISO ENGINE OIL READ MANUAL
B	61227	1	CAP, OIL TANK VENT - 2.00 NPT
C	G028619	1	PLUG PIPE 2" SQ HD ZINC
D	A0002009913	1	ST03 WLDMNT 6.5 GAL. OIL TANK
E	10000019336	1	DECAL ISO ENGINE OIL READ MANUAL
F	10000027178	1	DECAL ISO THREAD 1/2 NPT
G	A0002352793	1	ST03 TANK SUPPORT BRACKET R
H	A0002352792	1	ST03 TANK SUPPORT BRACKET L
J	024310	1	PLUG STD PIPE 1/2 STEEL SQ HD
K	A0002349392	1	FITTING ELBOW 90 .500 MNPT
L	0G5212A	1	VALVE 1/2"
M	G044118	3	BARBED STR 1/2NPT X 5/8
N	G057823	3	CLAMP HOSE #10 .56-1.06
P	049811	8	WASHER FLAT M6
Q	0J7513	8	WASHER LOCK M6 CLEAR ZINC
R	G042568	4	SCREW HHC M6-1.0 X 20 C8.8
S	G045757	4	SCREW HHC M6-1.0 X 25 C8.8
T	A0002352794	1	ST03 OIL FLOAT SWITCH BRACKET
U	0D7022	1	ADPTR BARB 90D 5/8 X 3/4NPT
V	G022145	2	WASHER FLAT 5/16-M8 STEEL ZINC
W	G022129	2	WASHER LOCK SPRING 5/16 ZC
X	G042911	2	SCREW HHC M10-1.5 X 30 C8.8
Y	A0000676889	1	ASSY, OIL LEVEL CONTROLLER
Z	G044117	2	BARBED STR 3/8NPT X 5/8
AA	A0002005164	1	SIGHT GLASS
--	A0002352795	1	ST03 ADAPTER PLATE OIL EQUALIZER
--	HW4046C72	1	TEE, BLK, 1/2" NPT, YZ COATED
--	G031105	1	NIPPLE PIPE 1/2NPT X 1-3/4
--	055934X	1	CLAMP STL/VNL .94 X .406 Z

# RECEPTACLE BOX ASSEMBLY



03838

## RECEPTACLE BOX ASSEMBLY

Item	Part No.	Qty	Description	Notes
1	G043116	14	SCREW HHC M6-1.0 X 12 G8.8	
2	OJ7513	14	WASHER LOCK M6 CLEAR ZINC	
3	049811	26	WASHER FLAT M	
4	A0001532949	1	ST03 LIFTING EYE CONTROL BOX	
5	A0001050364	1	ST03 WELDMENT, RECEPTACLE BOX	
6	A0000445781	1	BUSHING SNAP SB-3.000-44	
7	G048107	4	SCREW HHC M6-1.0 X 25 C10.9	
8	0B2236	7	NUT HEX LOCK M6-1 NY INS	
9	13926	1	TETHER, CABLE STEEL - 14.50 LONG - .32 H	
10	G090388	3	SCREW HHTT M6-1.0 X 12 ZINC	
11	A0000976133	1	ST03 BASE PANEL	
12	65644	1	BASE, RELAY - 8 POS.	
13	A0002966224	2	SCREW HHTT M4-0.7 X 20 ZP	
14	66340	1	RELAY, VOLTAGE SENSING (132IN 126OUT)	
15	0C2323	2	SCREW PPHT #6-32 X 5/8 ZYC	
16	65461	1	RELAY, 30A DPDT 120VAC POWER	
17	65356	1	BLOCK, TERMINAL-3 POLE, BUSSMAN, 16023-3	
18	A0002969038	4	SCREW HHTT M5-0.8 X 25 ZP	
19	14204	1	KIT, GROUND BAR	
20	21487	1	TRANS, 1.13:1 1-PHASE 500VA (STD BUCK)	
21	0E6480	26	NUT HEX LOCK M4-0.7 NY INS	
22	G043180	2	WASHER FLAT M4	
23	67129	1	RAIL DIN - 35MM X 8.00 (8.3" LG)	
24	A0002863000	2	BREAKER 20A SINGLE POLE	
25	A0002863007	3	BREAKER 50A 2 POLE	
26	G020745	11	SCREW PPHM M4-0.7 X 12	
27	A0001981256	2	ST03 SUPPORT, DIN RAIL	
28	18089	3	RECEPTACLE, 240V/50A TWIST LOCK	
29	0F6207	2	OUTLET 20A GFCI 125V	
30	0D9784	5	NUT HEX LOCK M3-0.5 NY INS	
31	A0001050365	1	ST03 PANEL, RECEPTACLES 120/20 X2 240/50 X3	
32	G080077	12	SCREW PPHM M4-.7 X 20LG ZINC	
33	15849	1	COVER, RECEPTACLE - WEATHER PROOF 20A	
34	G090987	4	SCREW PPHM M3-0.5 X 12	
35	A0002010119	2	ST03 RECEPTACLE BLOCK OFF PLATE	
36	65467	3	COVER, RECEPTACLE - WEATHER PROOF 50A	
37	A0001078522	1	COVER, BREAKER WINDOW	
38	A0002009723	2	GASKET RECEPTACLE	
--	A0000970255	1	HARN RECEPTACLE	

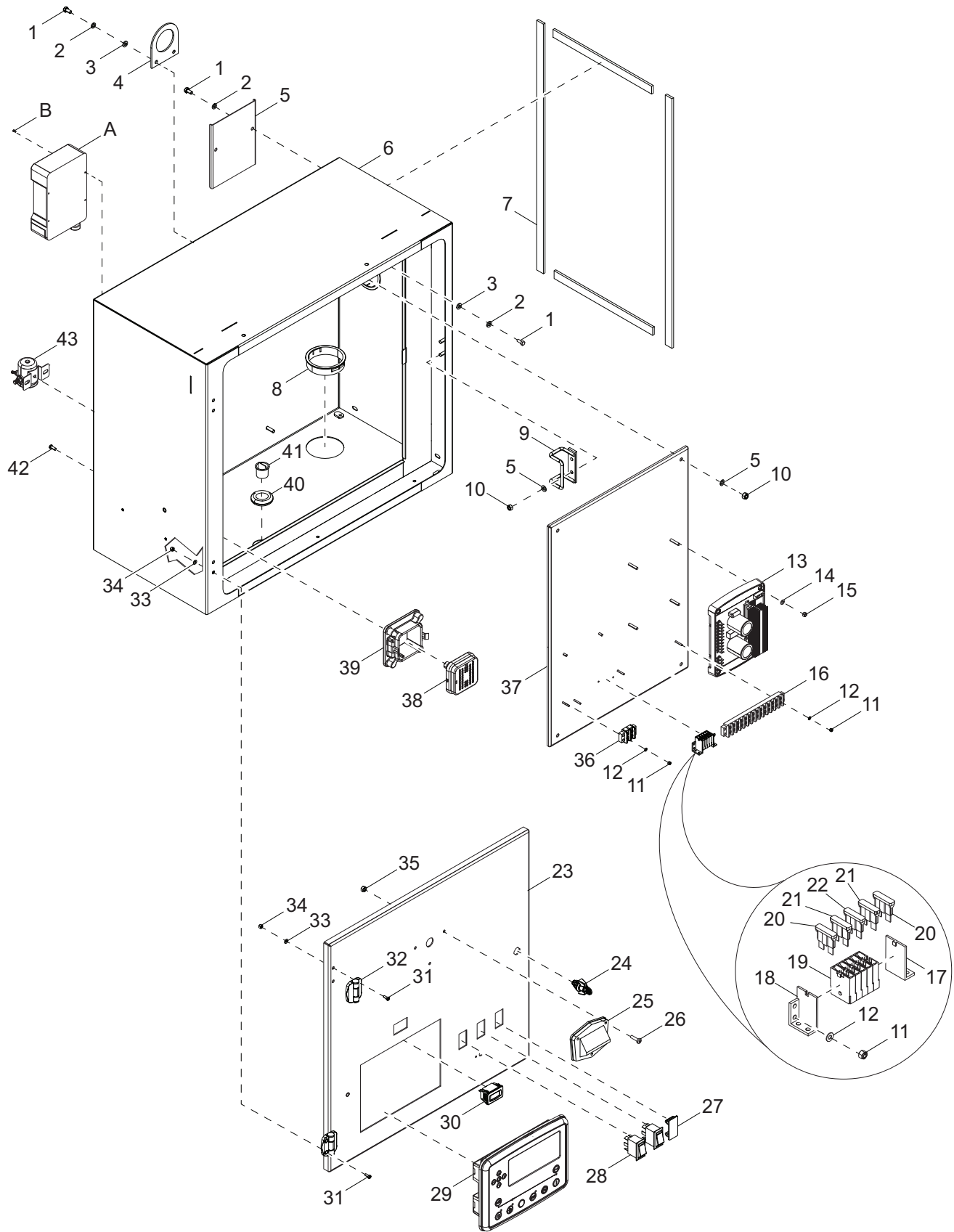
OPTIONAL FEATURES - *BATTERY CHARGER (if equipped)*

A	65285	1	RECEPTACLE, 120V/15A INLET FLANGE
B	0E6480	4	NUT HEX LOCK M4-0.7 NY INS
C	36939	1	COVER, RECEPTACLE - WP 20/30A TWIST-LOK
D	G075475	4	SCREW PPHM M4-0.7 X 10

OPTIONAL FEATURES - *SHORE POWER FOR COLD WEATHER FEATURES (if equipped)*

E	G075475	4	SCREW PPHM M4-0.7 X 10
F	65520	1	COVER, RECEPTACLE - WEATHER PROOF 50A
G	0E6480	4	NUT HEX LOCK M4-0.7 NY INS
H	68635	1	RECEPTACLE, 125V/30A INLET(L5-30P) FLANGE

# CONTROL BOX ASSEMBLY



03837



## CONTROL BOX ASSEMBLY

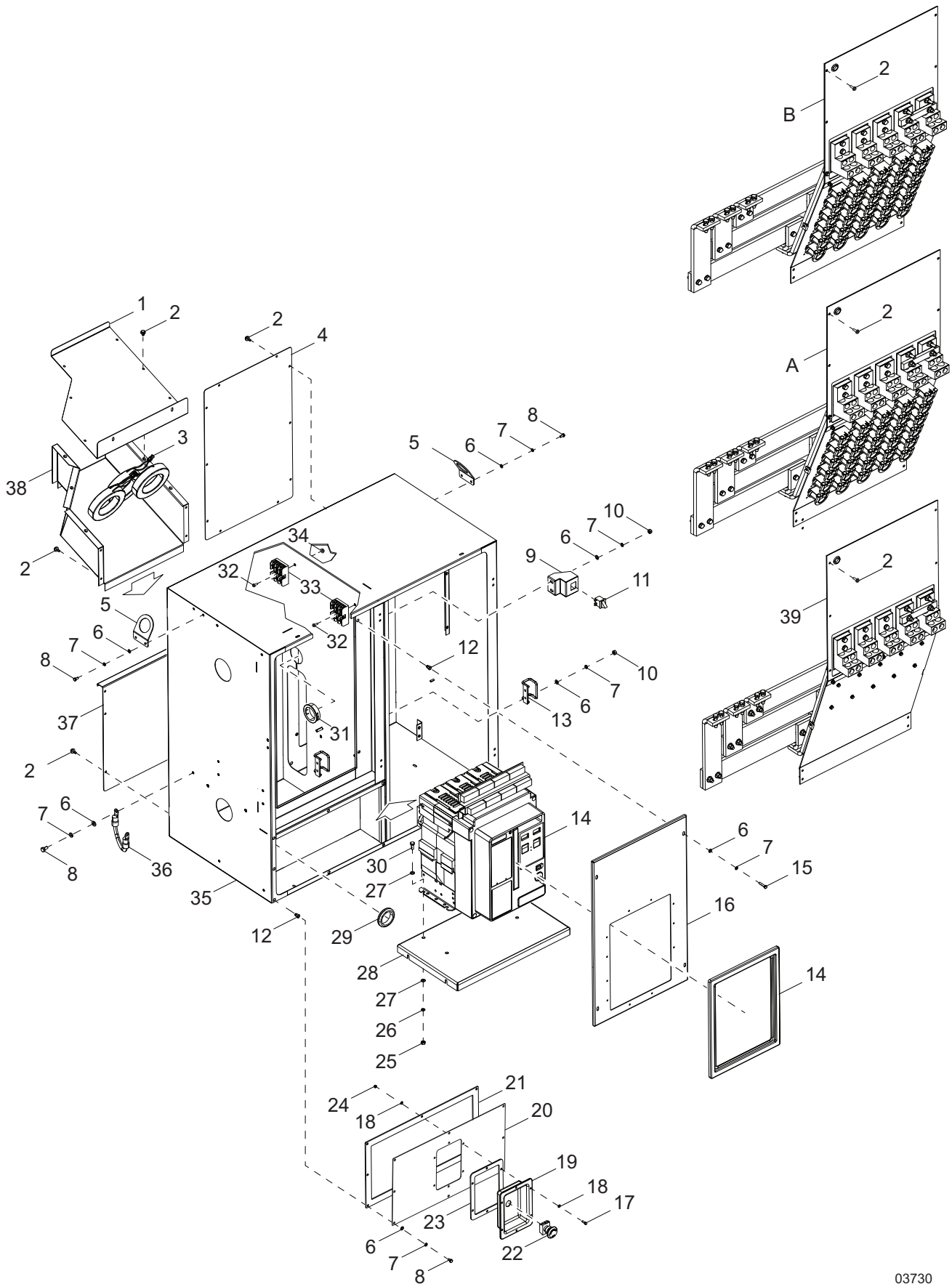
Item	Part No.	Qty	Description	Notes
1	G043116	12	SCREW HHC M6-1.0 X 12 G8.8	
2	OJ7513	12	WASHER LOCK M6 CLEAR ZINC	
3	G049811	20	WASHER FLAT M6	
4	A0001532949	1	ST03 LIFTING EYE CONTROL BOX	
5	A0002106262	1	ST03 BLOCKOFF DSE CONTROL BOX SERIES 3	
6	A0001040158	1	ST03 WELDMENT, POWERZONE CONTROL BOX	
7	50230	2.0 ft	WEATHERSTRIPPING - .188 X .500	
8	A0000445781	2	BUSHING SNAP SB-3.000-44	
9	A0001073997	1	ST11 STRIKER 2 POINT LATCH	
10	0B2236	8	NUT HEX LOCK M6-1 NY INS	
11	0D9784	6	NUT HEX LOCK M3-0.5 NY INS	
12	G052777	6	WASHER FLAT M3	
13	CALL	1	VOLTAGE REGULATOR DEEP SEA DSEA109	
14	G051713	4	WASHER FLAT M5	
15	G082025	4	NUT HEX LOCK M5-0.8 NYINS ZINC	
16	0C4167	1	BLOCK TERM 20A 14 X 6 X 1100V	
17	0F1264	1	ADAPTER LH SIDE WICKMANN	
18	0F1263	1	ADAPTER RH SIDE WICKMANN	
19	0F1262	5	HOLDER FUSE WICKMANN ATO STYLE	
20	0E7403A	2	FUSE ATO TYPE 5 AMP (TAN)	
21	0E7403C	2	FUSE ATO TYPE 15 AMP (BLUE)	
22	0E7403D	1	FUSE ATO TYPE 20 AMP (YELLOW)	
23	A0002061581	1	ST03 WELDMENT CONTROL BOX DOOR DSE	
24	0L5052	1	LATCH WING TURN W/NUT KEYED	
25	A0001519132	1	ASSY CNTRL PNL LIGHT 12/24VDC	
26	G080077	3	SCREW PPHM M4-.7 X 20LG ZINC	
27	34439	1	PLUG, PANEL SWITCH PLUG 1.91 X .96	
28	68530	2	SWITCH, ROCKER, DPDT, ON/ON	
29	CALL	1	CONTROLLER DEEP SEA 8610 MKII HEAT DISP	
30	36886	1	METER, HOUR	
31	0K9154	8	SCREW SHC LOW M4-0.7 X 10 G10.9	
32	HW2415A03	2	HINGE,DETENT,NYLON,BLACK,120 DEG,170 DEG	
33	G043180	14	WASHER FLAT M4	
34	0E6480	14	NUT HEX LOCK M4-0.7 NY INS	
35	0F7806	3	NUT HEX FL WHIZ M4-0.7	
36	G048766	1	BLOCK TERM 20A 2 X 6 X 1100V	
37	A0002098404	1	ST03 BASE PANEL DEEP SEA	
38	10000022630	1	CONN DEUTSCH RECP 60 POS DRB SERIES	
39	10000022641	1	CONN DEUTSCH INTERFACE FLANGE DRB	
40	0D8741	1	PLUG PLASTIC 3/4 NPT CNTR PULL	
41	G072252	1	GROMMET 1.37 X .06 X 1.00	
42	0G3869	6	SCREW PPPH HI-LO #10-16 X 1/	
43	G082982	1	RELAY CONTACTOR 24VDC	

**OPTIONAL FEATURES - BATTERY CHARGER (if equipped)**

A	A0001524585	1	BATTERY CHARGER AGM 2430 WHT
B	G075475	4	SCREW PPHM M4-0.7 X 10
--	65285	1	RECEPTACLE, 120V/15A INLET FLANGE
--	36939	1	COVER, RECEPTACLE - WP 20/30A TWIST-LOK
--	10000019229	1	DECAL ISO READ MANUAL

**Note:** To order replacement controller, contact Generac Mobile Products with unit serial number.

# BREAKER/LUG BOX ASSEMBLY



03730

## BREAKER/LUG BOX ASSEMBLY

Item	Part No.	Qty	Description	Notes
1	A0001520284	1	ST03 GEN CABLE RACEWAY CVR	
2	0C2454	29	SCREW HWHT M6-1 X 16 N WA Z/JS	
3	0J0481M	3	XFMR CURRENT 1600A W/O BRKT UL	
4	A0001404867	1	ST03 ACCESS COVER AC BOX	
5	A0001516011	2	ST03 LIFT EYE CONTROL BOX	
6	G049811	18	WASHER FLAT M6	
7	0J7513	29	WASHER LOCK M6 CLEAR ZINC	
8	G043116	10	SCREW HHC M6-1.0 X 12 G8.8	
9	A0001404871	1	ST03 MNT AC BOX DOOR SWITCH	
10	G049813	6	NUT HEX M6-1.0 G8 CLEAR ZINC	
11	12632	1	SWITCH, TRIGGER SAFETY, N.O. & N.C.	
12	G092120	12	NUT LOCK TRIC M6 X 1.0 Y/ZNC	
13	A0001073997	2	ST11 STRIKER 2 POINT LATCH	
14	A0001371170	1	BREAKER 1600A 3PH	
--	A0001404484	1	BREAKER 1600A 3PH MOTORIZED	
15	G038750	4	SCREW HHC M6-1.0 X 30 C8.8	
16	A0001404879	1	ST03 DOOR INNER BREAKER	
17	G086863	6	SCREW HHC M5-0.8 X 16 SS	
18	G080857	12	WASHER FLAT M5 SS	
19	30645	1	PANEL, EMERGENCY STOP	
20	A0001404863	1	ST03 SUBPLATE E-STOP AC BOX MDE570	
21	A0001541354	1	GASKET EMERGENCY STOP PANEL	
22	65470	1	SWITCH, E-STOP OPERATOR	
23	A0003702750	1	GASKET EMERGENCY STOP	
24	G082025	6	NUT HEX LOCK M5-0.8 NYINS ZINC	
25	G045771	8	NUT HEX M8-1.25 G8 CLEAR ZINC	
26	0D3919	8	WASHER LOCK M8 ZINC	
27	G058653	8	WASHER FLAT M8	
28	G055173	4	SCREW HHC M8-1.25 X 20 C10.9	
29	A0001380299	1	GROMMET 2.375 X .188 X 2	
30	G042568	4	SCREW HHC M6-1.0 X 20 C8.8	
31	023484D	1	BUSHING SNAP SB-875-11	
32	0A1495	4	SCREW HHTT M4-0.7 X 10 BP	
33	0D2572	2	FUSEBLOCK 30A 600V 3POS W/SQ	
34	0F7806	4	NUT HEX FL WHIZ M4-0.7	
35	A0001404662	1	ST03 WLDMNT AC BOX MDE570	
36	A0001675711	1	WIRE ASSY 4AWG 6IN 1/4 LUG	
37	A0001518680	1	ST03 AC BOX RH ACCESS COVER	
38	A0001520282	1	ST03 GEN CABLE RACEWAY	
39	A0002459789	1	ASSY-OPTION-NO CAM-MDE570	

### OPTIONAL FEATURES

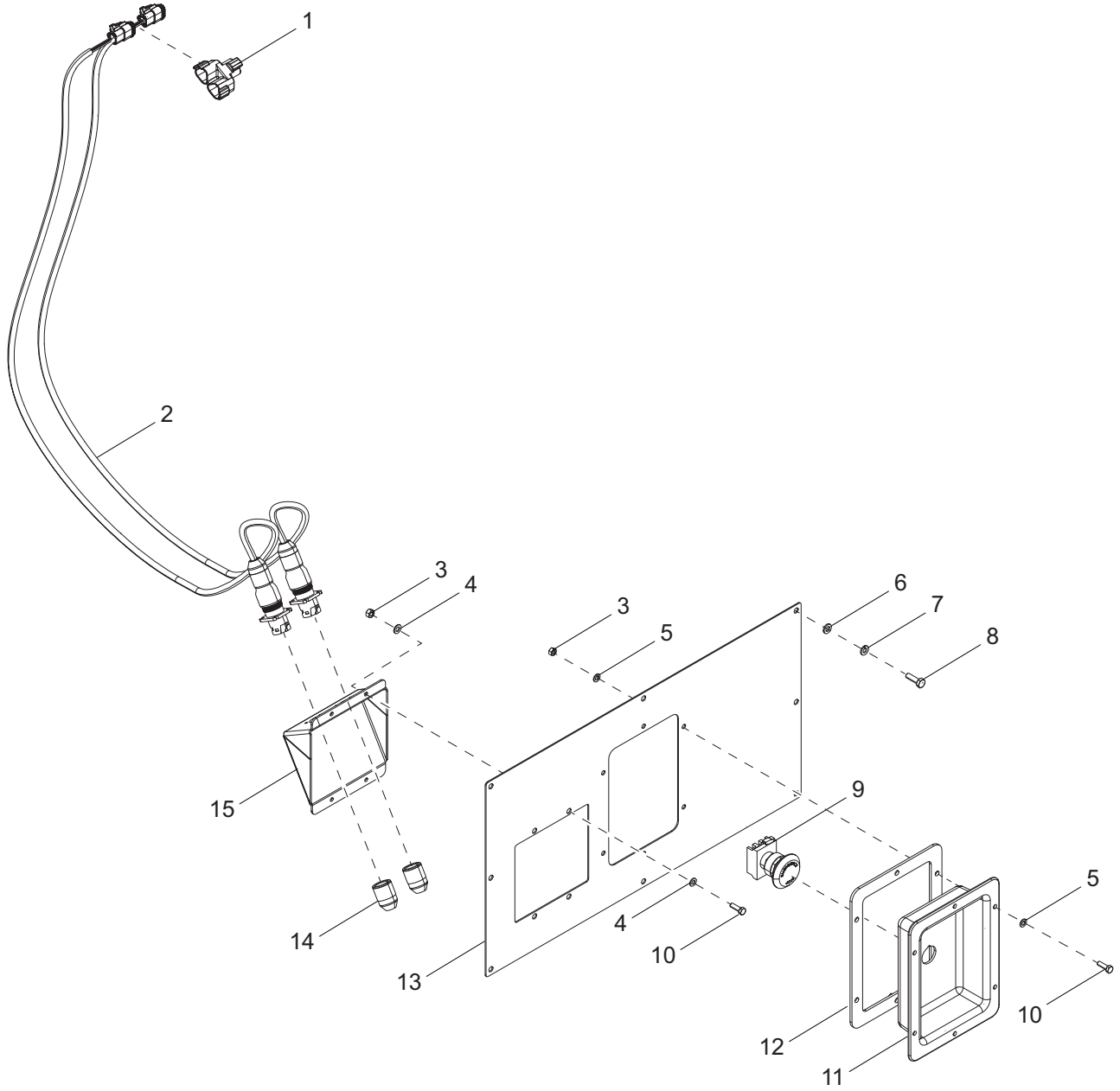
#### LUG PANEL ASSEMBLY - US OPTION (if equipped)

A A0002459791 1 ASSY-OPTION-CAM-US-MDE570

#### LUG PANEL ASSEMBLY - CANADA OPTION (if equipped)

B A0002459796 1 ASSY-OPTION-CAM-CANADA-MDE570

# PARALLELING OPTION

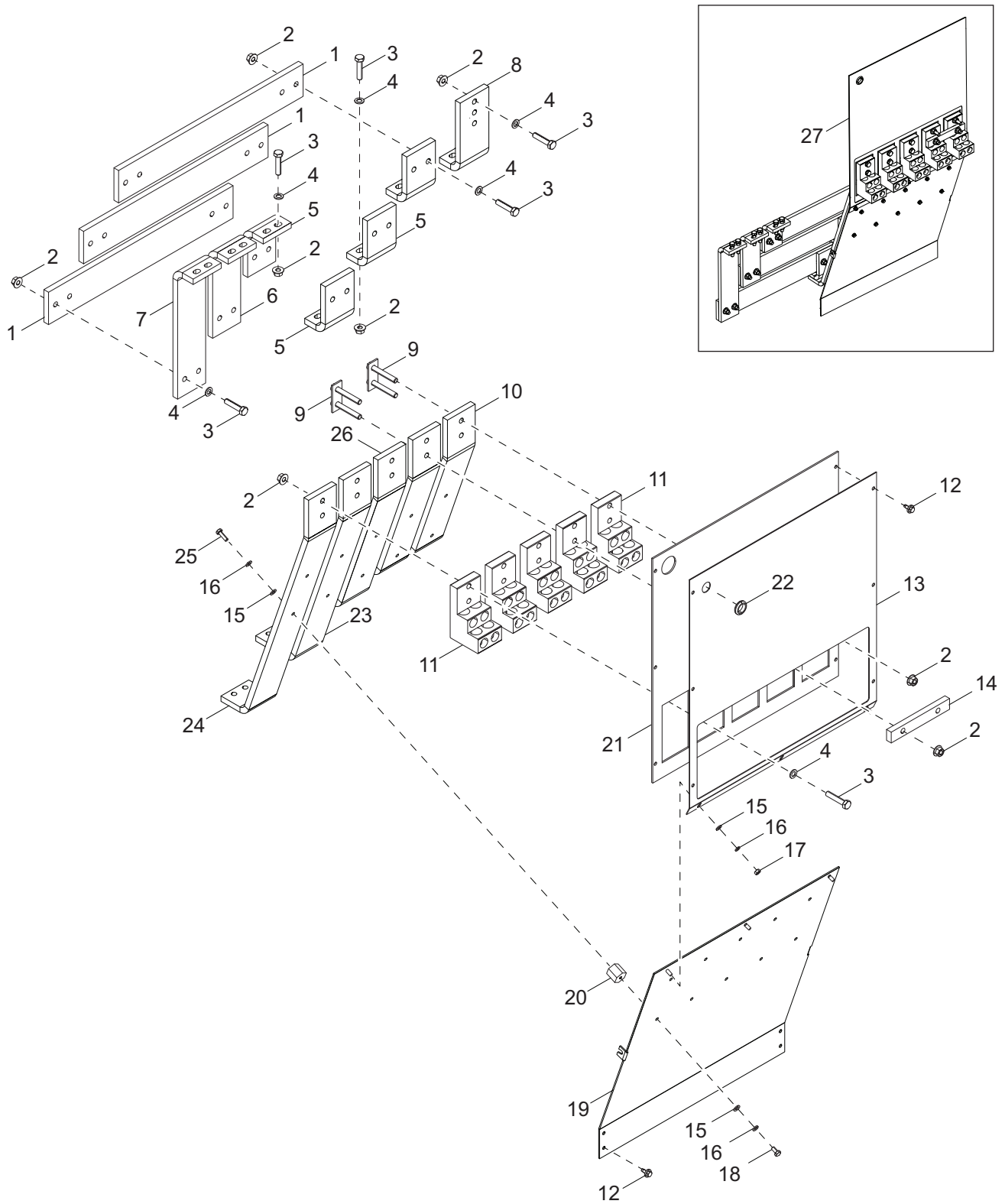


03836

## PARALLELING OPTION

Item	Part No.	Qty	Description	Notes
1	0E0453J	1	RECPT Y-CONNECTOR	
2	A0002203184	2	HARNESS PARALLELING DSE8610	
3	G082025	10	NUT HEX LOCK M5-0.8 NYINS ZINC	
4	G051713	8	WASHER FLAT M5	
5	G080857	12	WASHER FLAT M5 SS	
6	G070007	8	WASHER FLAT M6 SS	
7	G070005	8	WASHER LOCK M6 SS	
8	G070001	8	SCREW HHC M6-1.0 X 20 SS	
9	65470	1	SWITCH, E-STOP OPERATOR	
10	G086863	10	SCREW HHC M5-0.8 X 16 SS	
11	30645	1	PANEL, EMERGENCY STOP	
12	A0003702750	1	GASKET EMERGENCY STOP	
13	A0002105577	1	ST03 SUBPLATE E-STOP AC BOX PARALLEL	
14	67811	2	PLUG ASSY, RESISTOR MSC PARALLEL	
15	10000016717	1	PANEL - PARALLEL CONN	
--	10000013819	1	DECAL PARALLELING OPTION	

# LUG PANEL ASSEMBLY - STANDARD

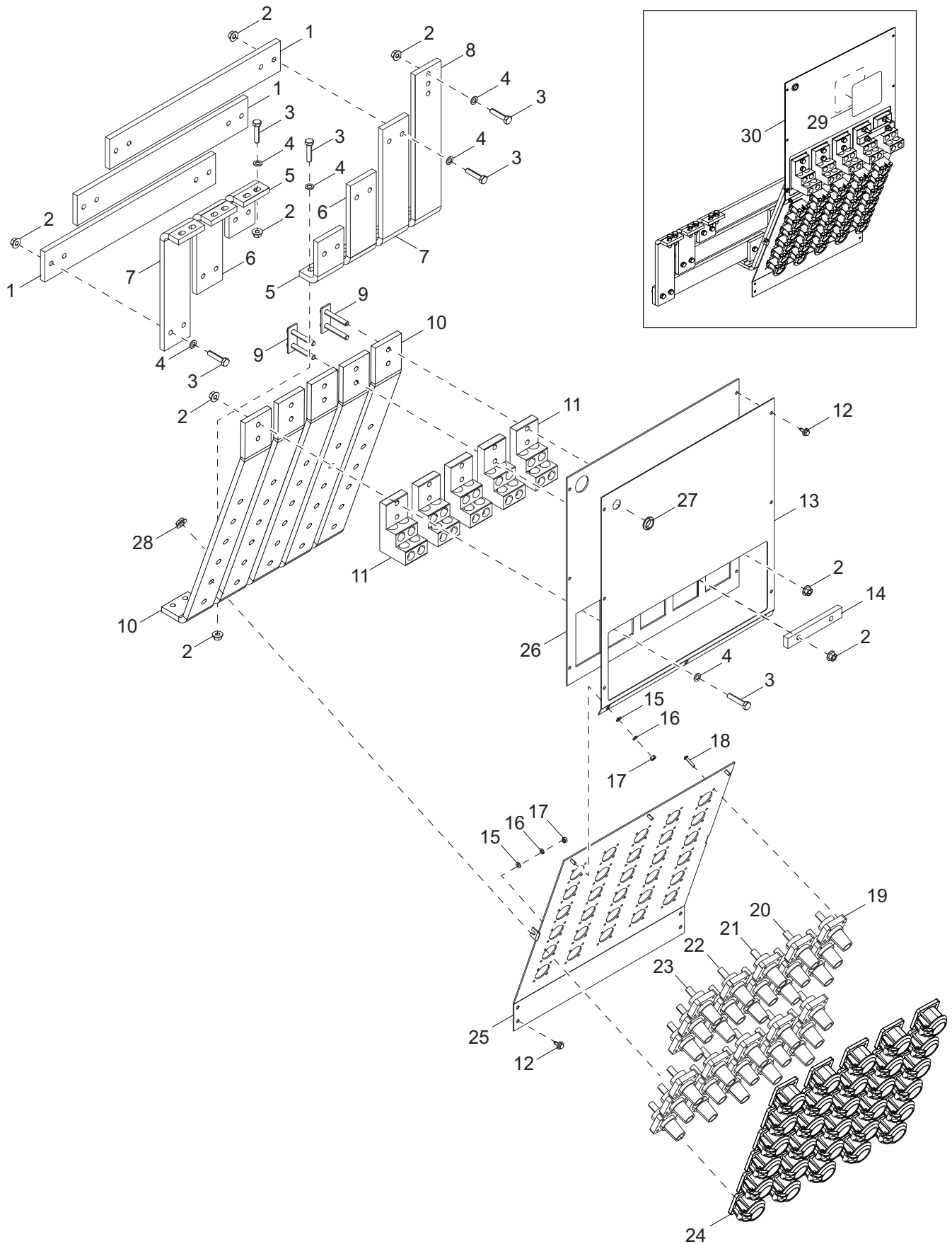


03731

## LUG PANEL ASSEMBLY- STANDARD

Item	Part No.	Qty	Description	Notes
1	A0001404842	3	BUSBAR CONN CAM	
2	G052859	32	NUT TOP LOCK FL M10-1.50	
3	G064416	32	SCREW HHC M10-1.5 X 45 C8.8 FT	
4	G070264	32	WASHER FLAT M10	
5	A0001404845	2	BUSBAR C CAM	
6	A0001404843	2	BUSBAR A CAM	
7	A0001404844	2	BUSBAR B CAM	
8	A0001516855	1	BUSBAR B NO CAM	
9	A0001540490	2	ST03 WELDMENT BOLT RETAINER M10X65	
10	A0001516854	2	BUSBAR A NO CAM	
11	65303	5	LUG, TERMINAL QUAD #2-600MCM 2 HOLE	
12	0C2454	10	SCREW HWHT M6-1 X 16 N WA Z/JS	
13	A0001404840	1	ISOLATOR CAM LOCK MOUNT	
14	A0001404846	1	BUSBAR BONDING CAM	
15	G049811	25	WASHER FLAT M6	
16	0J7513	25	WASHER LOCK M6 CLEAR ZINC	
17	G049813	3	NUT HEX M6-1.0 G8 CLEAR ZINC	
18	G043116	10	SCREW HHC M6-1.0 X 12 G8.8	
19	A0001516707	1	AL03 MNT CUSTOMER CONNECT BOTT	
20	A0001540492	10	STANDOFF ISOLATOR 25MM HEX X 25LG M6	
21	A0001516721	1	ST0R MNT CUSTOMER CONNECT TOP	
22	G038057	1	GROMMET 7/8 X 1/16 X 3/4	
23	A0001516858	1	BUSBAR D NO CAM	
24	A0001516859	1	BUSBAR E NO CAM	
25	G042568	10	SCREW HHC M6-1.0 X 20 C8.8	
26	A0001516856	1	BUSBAR C NO CAM	
27	A0002459789	1	ASSY-OPTION-NO CAM-MDE570	

# LUG PANEL ASSEMBLY - OPTION US



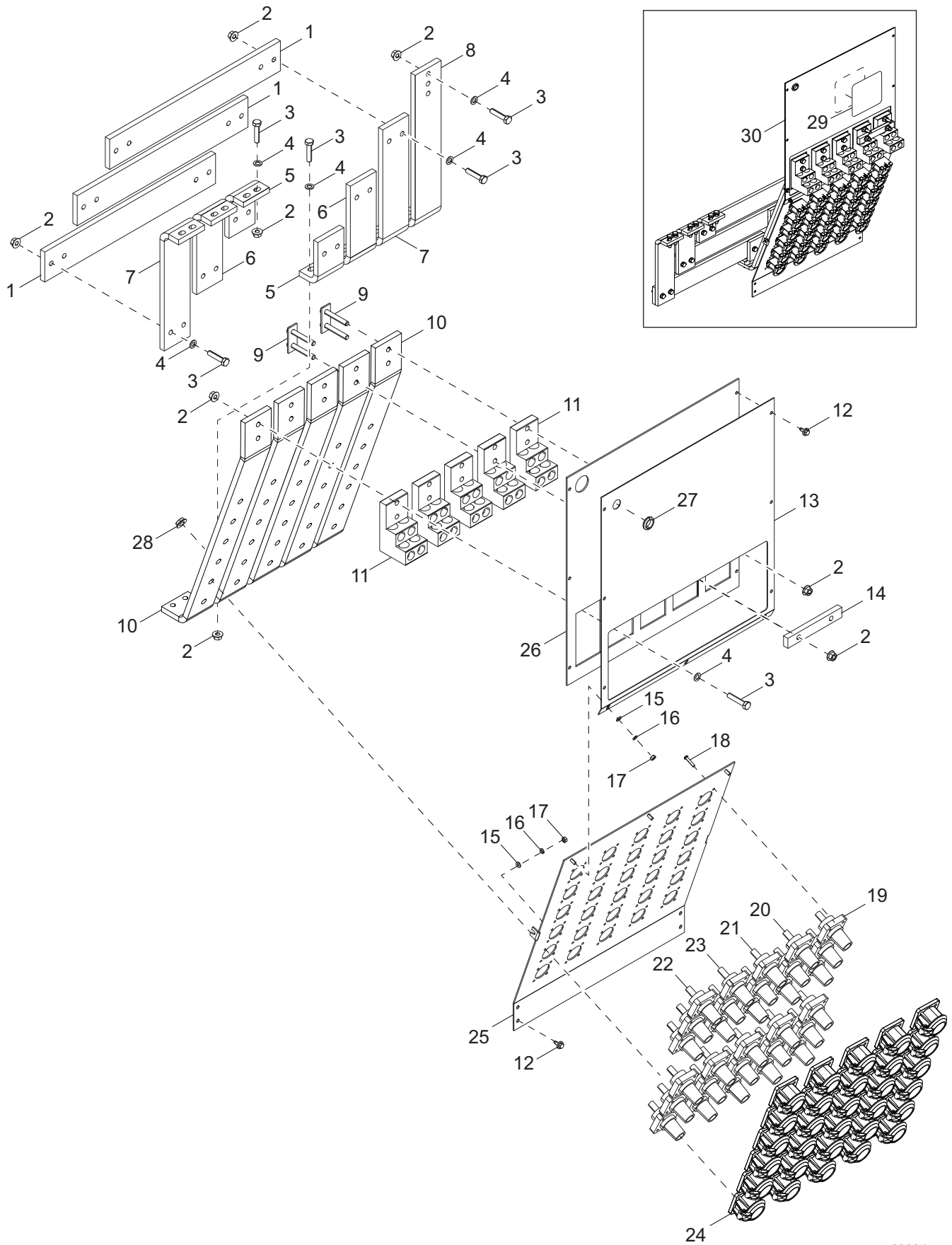
03835



## LUG PANEL ASSEMBLY- OPTION US

Item	Part No.	Qty	Description	Notes
1	A0001404842	3	BUSBAR CONN CAM	
2	G052859	32	NUT TOP LOCK FL M10-1.50	
3	G064416	32	SCREW HHC M10-1.5 X 45 C8.8 FT	
4	G070264	32	WASHER FLAT M10	
5	A0001404845	2	BUSBAR C CAM	
6	A0001404843	2	BUSBAR A CAM	
7	A0001404844	2	BUSBAR B CAM	
8	A0001519166	1	BUSBAR H CAM	
9	A0001540490	2	ST03 WELDMNT BOLT RETAINER M10X65	
10	A0001404841	5	BUSBAR CAM LOCK	
11	65303	5	LUG, TERMINAL QUAD #2-600MCM 2 HOLE	
12	0C2454	10	SCREW HWHT M6-1 X 16 N WA Z/JS	
13	A0001516721	1	ST03 MNT CAM LOCK TOP	
14	A0001404846	1	BUSBAR BONDING CAM	
15	G049811	5	WASHER FLAT M6	
16	0J7513	5	WASHER LOCK M6 CLEAR ZINC	
17	G049813	5	NUT HEX M6-1.0 G8 CLEAR ZINC	
18	0C8522	72	SCREW PPHM M5-0.8 X 25	
19	66041	6	CONN, CAM LOCK FLANGE FEMALE, 400A, GRN	
20	66040	6	CONN, CAM LOCK FLANGE FEMALE, 400A, WHIT	
21	65553	6	CONN, CAM LOCK FLANGE FEMALE, 400A, BLUE	
22	65552	6	CONN, CAM LOCK FLANGE FEMALE, 400A, RED	
23	65551	6	CONN, CAM LOCK FLANGE FEMALE, 400A, BLK	
24	A0002704314	30	COVER CAMLOCK CLEAR	
25	A0001404838	1	AL03 MNT CAM LOCK	
26	A0001404840	1	ISOLATOR CAM LOCK MOUNT	
27	G038057	1	GROMMET 7/8 X 1/16 X 3/4	
28	60098	36	NUT, .500-13 SFLG ZC CASE HARDENED	
29	A0001656956	1	DECAL US CAMLOK SINGLE-PIN	
30	A0002459791	1	ASSY-OPTION-CAM-US-MDE570	

# LUG PANEL ASSEMBLY - OPTION CANADA

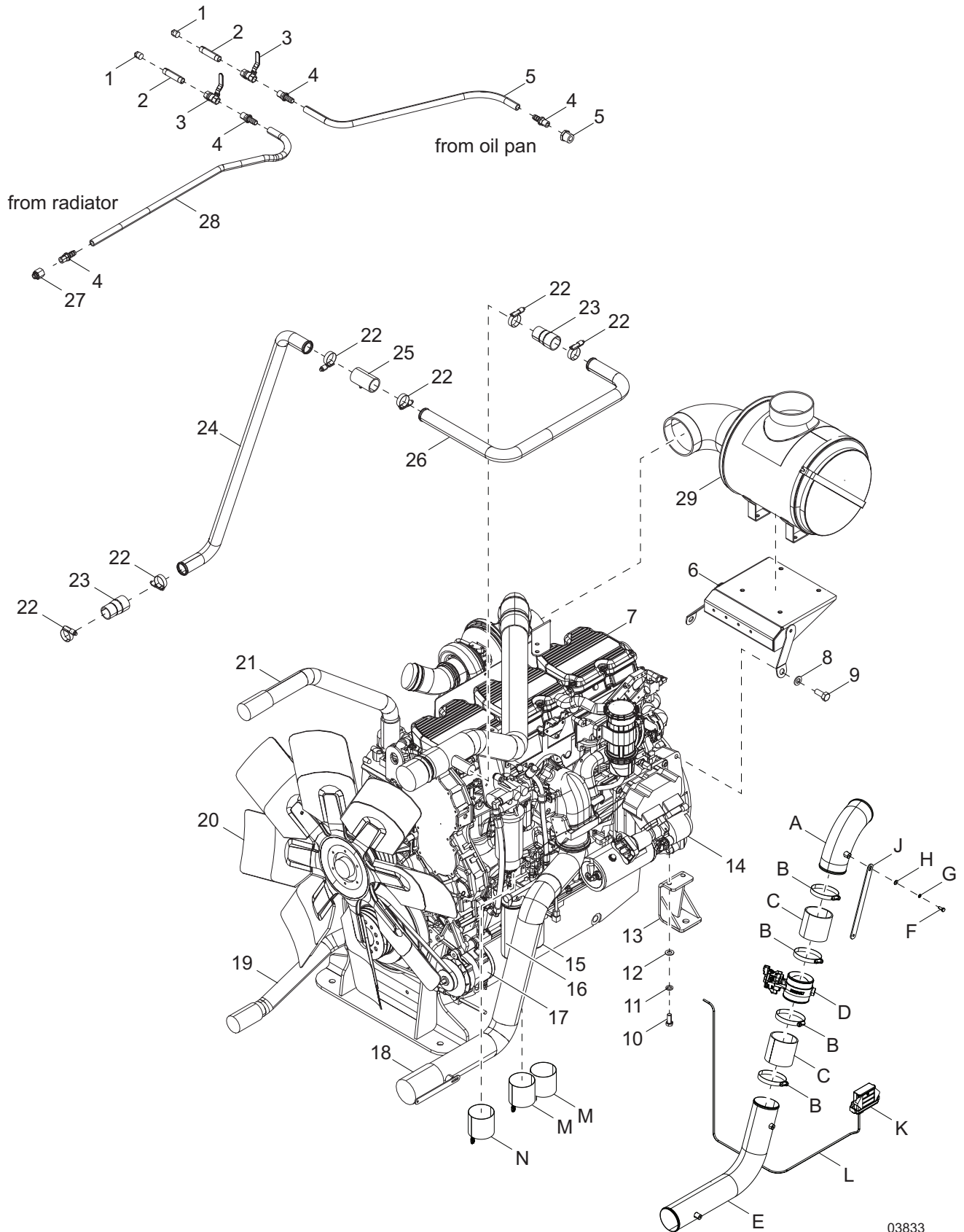


03834

## LUG PANEL ASSEMBLY- OPTION CANADA

Item	Part No.	Qty	Description	Notes
1	A0001404842	3	BUSBAR CONN CAM	
2	G052859	32	NUT TOP LOCK FL M10-1.50	
3	G064416	32	SCREW HHC M10-1.5 X 45 C8.8 FT	
4	G070264	32	WASHER FLAT M10	
5	A0001404845	2	BUSBAR C CAM	
6	A0001404843	2	BUSBAR A CAM	
7	A0001404844	2	BUSBAR B CAM	
8	A0001519166	1	BUSBAR H CAM	
9	A0001540490	2	ST03 WELDMNT BOLT RETAINER M10X65	
10	A0001404841	5	BUSBAR CAM LOCK	
11	65303	5	LUG, TERMINAL QUAD #2-600MCM 2 HOLE	
12	0C2454	10	SCREW HWHT M6-1 X 16 N WA Z/JS	
13	A0001516721	1	ST03 MNT CAM LOCK TOP	
14	A0001404846	1	BUSBAR BONDING CAM	
15	G049811	5	WASHER FLAT M6	
16	0J7513	5	WASHER LOCK M6 CLEAR ZINC	
17	G049813	5	NUT HEX M6-1.0 G8 CLEAR ZINC	
18	0C8522	72	SCREW PPHM M5-0.8 X 25	
19	66041	6	CONN, CAM LOCK FLANGE FEMALE, 400A, GRN	
20	66040	6	CONN, CAM LOCK FLANGE FEMALE, 400A, WHIT	
21	65553	6	CONN, CAM LOCK FLANGE FEMALE, 400A, BLUE	
22	65552	6	CONN, CAM LOCK FLANGE FEMALE, 400A, RED	
23	65551	6	CONN, CAM LOCK FLANGE FEMALE, 400A, BLK	
24	A0002704314	30	COVER CAMLOCK CLEAR	
25	A0001404838	1	AL03 MNT CAM LOCK	
26	A0001404840	1	ISOLATOR CAM LOCK MOUNT	
27	G038057	1	GROMMET 7/8 X 1/16 X 3/4	
28	60098	36	NUT, .500-13 SFLG ZC CASE HARDENED	
29	A0001656955	1	DECAL CANADIAN CAMLOK SINGLE-PIN	
30	A0002459796	1	ASSY-OPTION-CAM-CANADA-MDE570	

# ENGINE ASSEMBLY - LEFT SIDE



03833

## ENGINE ASSEMBLY - LEFT SIDE

Item	Part No.	Qty	Description	Notes
1	G024310	2	PLUG STD PIPE 1/2 STEEL SQ HD	
2	G031096	2	NIPPLE PIPE 1/2NPT X 3-1/2	
3	0G5212A	2	VALVE 1/2	
4	A0001204071	4	FITTING STRT .675 BARB X 0.5 MNTPF	
5	G065386	1	HOSE COOL 5/8 ID 100R6	
6	A0002064270	1	BRACKET-AIR CLEANER	
7	A0001237913	1	ENGINE D18.1L (G22) ELECTROPAK	
8	A0002064295	2	WASHER, AIR CLEANER & RESTRICT INDICATOR	
9	A0002064280	2	BOLT-AIR CLEANER & RESTRICT INDICATOR	
10	0D8476	4	SCREW HHC 5/8-11 X 1-1/2 G8 ZP	
11	G022246	4	WASHER LOCK SPRING 5/8 ZC	
12	G022247	4	WASHER FLAT 5/8 STEEL ZINC	
13	A0001484873	2	ST03 WELDED ENG SUPPORT MDE570	
14	A0002060777	1	MOTOR-STARTER	
15	A0001784480	1	FILTER-FUEL-G22	
16	A0001784472		PRE-FILTER-FUEL-G22	
17	0L1564	1	DC ALTRNTR 24V 50AMP BRUSHLESS	
18	REF (1)	1	HOSE	See note (1)
19	REF (1)	1	HOSE, LOWER RADIATOR	
20	A0002062180	1	FAN	
21	REF (1)	1	HOSE, UPPER RADIATOR	
22	60660	6	CLAMP, HOSE-CONSTANT TORQUE-1.75-2.625	
23	27993	2	HOSE, C.A.C. - 1.75-2.00 X 4.00 LONG	
24	A0001539494	1	ATS COMBUSTION AIR PIPE LOWER MDE570	
25	28540	1	HOSE, C.A.C. - 2.00 X 4.00 LONG	
26	A0001539490	1	ATS COMBUSTION AIR PIPE UPPER MDE570	
27	A0001504120	1	FITTING STR #8 3/4-16 ORBM X 1/2 NPTF	
28	A0001198845	1	HOSE .625 PUSH LOCK	
29	A0002063823	1	ASSEMBLY, AIR FILTER	

### OPTIONAL FEATURES:

#### *POSITIVE AIR SHUTDOWN - PAS (if equipped)*

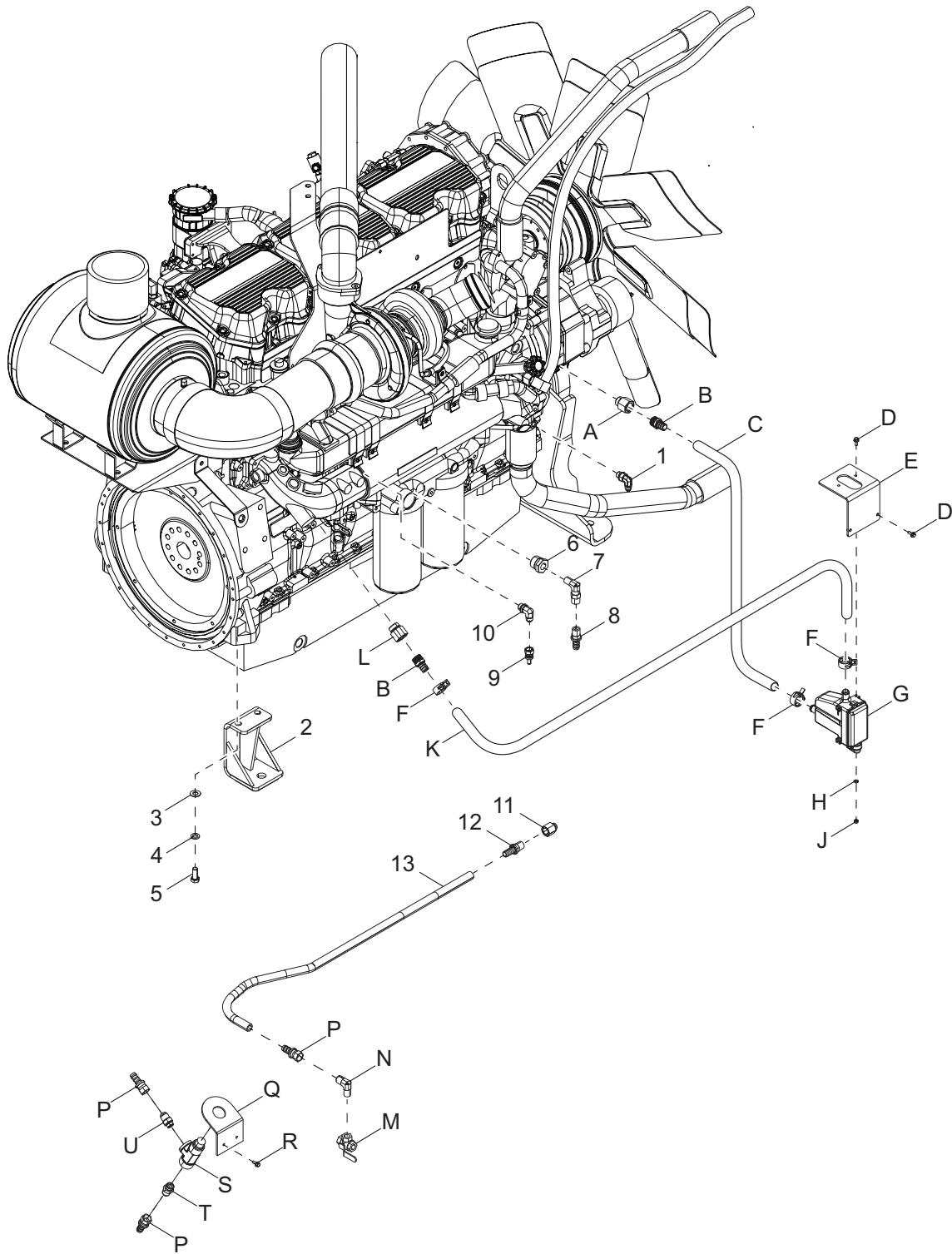
A	A0003449163	1	ST03 PAS UPPER INTAKE PIPE	
B	0G1285G	4	CLAMP CNST TENSION 3.75-4.625	
C	082560B	2	HOSE 4ID X 4.0LG	
D	A0001434899	1	PAS VALVE	
E	A0003449161	1	ST03 PAS LOWER INTAKE PIPE	
F	G039253	4	SCREW HHC M8-1.25 X 20 C8.8	
G	0D3919	4	WASHER LOCK M8 ZINC	
H	G022145	4	WASHER FLAT 5/16-M8 ZINC	
J	A0003449165	1	ST03 LANYARD, INTAKE PIPE MDE570	
K	A0000634488	1	MODULE PAS C20645-1 PACBRAKE	includes hardware
L	A0001497004	1	PACBRAKE HARNESS	

#### *FUEL FILTER HEATER (if equipped):*

M	A0003358993	2	FUEL FILTER HEATER (24VDC/50W)
N	A0001611195	1	FUEL FILTER HEATER (24VDC/50W)
--	A0001835636	1	HARN TRIPLE DC FUEL FILT HTR MOBILE

**Note:** Engine and generator parts used in all Generac Mobile, equipment carry the Original Equipment Manufacturer (OEM) warranty unless otherwise stated. OEM warranty parts must be purchased through an OEM dealer. Please contact Generac Mobile Products, LLC with questions. (1) See Generac Engine Manual p/n A0002459871

# ENGINE ASSEMBLY - RIGHT SIDE



03735

## ENGINE ASSEMBLY - RIGHT SIDE

Item	Part No.	Qty	Description	Notes
1	A0001905698	3	FITTING ELBOW 90 #6 ORBM X #6 JICM	
2	0D8476	4	SCREW HHC 5/8-11 X 1-1/2 G8 ZP	
3	G022246	4	WASHER LOCK SPRING 5/8 ZC	
4	G022247	4	WASHER FLAT 5/8 STEEL ZINC	
5	A0001484873	2	ST03 WELDED ENG SUPPORT MDE570	
6	A0001663815	1	FITTING 16M STOR - 8F NPT SHOULDER ORING	
7	A0001663813	1	FITTING 0.5 MNPTF X 0.5 FNPTF	
8	A0001663814	1	FITTING CHECK VALVE 0.5 FNPT X 0.5 MNPT	
9	A0001904525	1	FITTING STRT #8 STRT #8 JICF X #6 PUSH-LOK	
10	A0001904537	1	FITTING ELBOW 90 #8 JIC MALE X #8 ORBM	
11	A0001504120	1	FITTING STR #8 3/4-16 ORBM X 1/2 NPTF	
12	A0001204071	4	FITTING STRT .675 BARB X 0.5 MNTPF	
13	A0001198845	1	HOSE .625 PUSH LOCK	
--	A0002156161	1	HARN ENG D18.1L G22 DSE8610 MDE	
--	35560	6	FUSE, 20 AMP, MINI	w/ A0002156161
--	A0000292219	1	FUSE 5A/32V MINI ATM BLADE TAN	w/ A0002156161

### OPTIONAL FEATURES

#### *BLOCK HEATER (if equipped):*

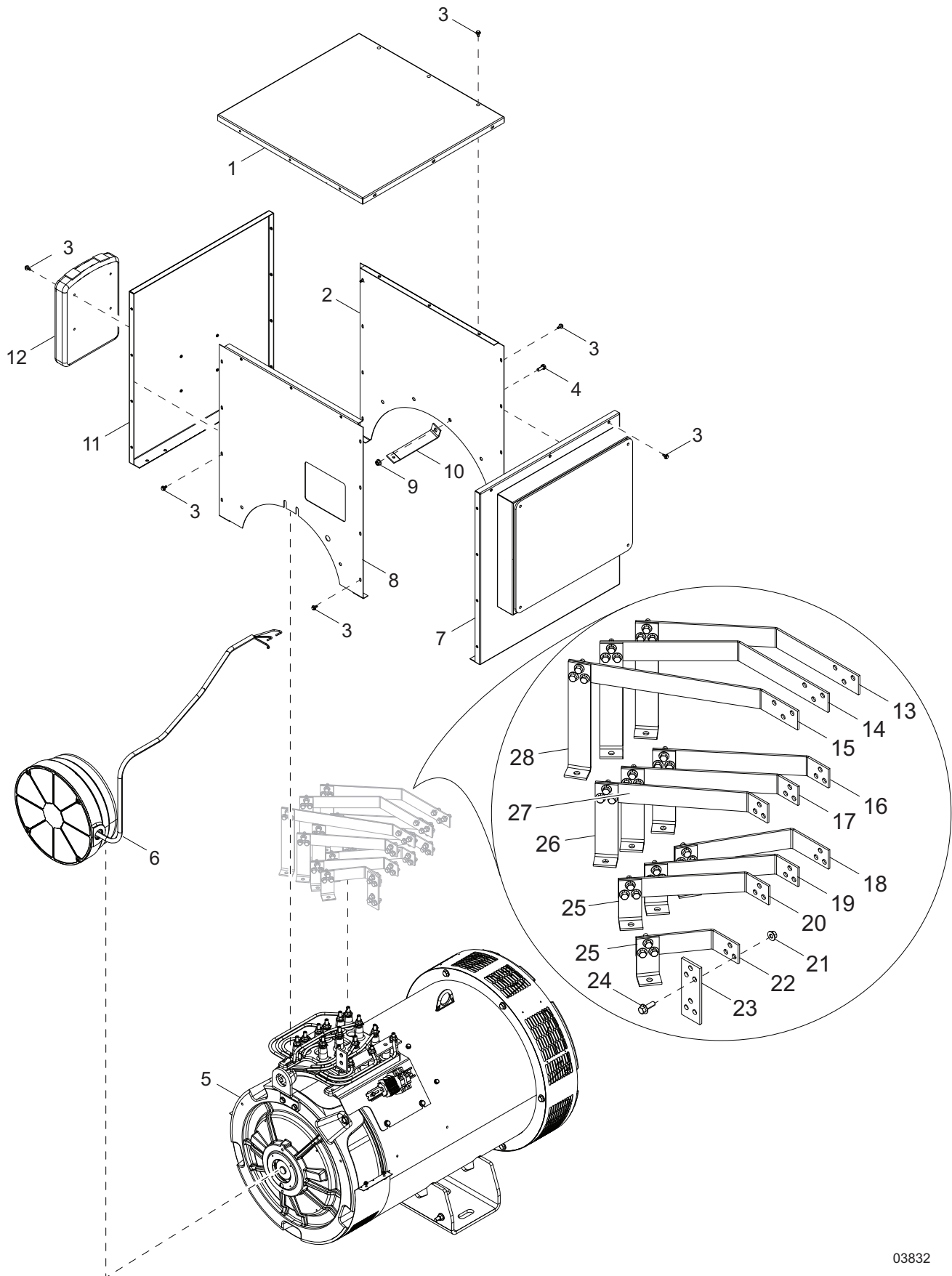
A	A0001504174	1	FITTING -12 ORB MALE X -12 NPTF FEMALE
B	HW4046A63	2	FIT, BR, 3/4" NPT-3/4" BARB
C	A0001198845	1	HOSE .625 PUSH LOCK
D	10000022416	2	SCREW HHFC M6-1.0 X 16 C8.8
E	A0001578506	1	ST03, BRACKET ASY, BLOCK HEATER MDG570
F	10000037182	2	CLAMP HOSE - SPRING TYPE- CTB - 27ST
G	A0001578477	1	BLOCK HEATER P&T 3305068 120V 2250W
H	G049811	2	WASHER FLAT M6
J	G049813	2	NUT HEX M6-1.0 G8 CLEAR ZINC
K	A0001198845	1	HOSE .625 PUSH LOCK
L	A0001504244	1	FITTING -14 ORB MALE X -12 NPTF FEMALE

#### *QUICK OIL CHANGE KIT (if equipped):*

M	60996	1	VALVE, BALL .50NPTF 3-PORT
N	A0001201941	1	FITTING ELBOW .5 MNPTF X 10 JICM
P	A0001152827	3	FITTING STRT .625 BARB X 10 JICF
Q	A0001679387	1	ST03 BRACKET ASM OIL QUICK KIT
R	10000022416	2	SCREW HHFC M6-1.0 X 16 C8.8
S	A0001204026	1	RPM QUICK CONNECT
T	A0001160073	1	FITTING STRT 0.875 ORBM X 10 JICM
U	A0001152113	1	FITTING STRT .750 ORBM X 10 JICM

**Note:** Engine and generator parts used in all Generac Mobile Products, LLC equipment carry the Original Equipment Manufacturer (OEM) warranty unless otherwise stated. OEM warranty parts must be purchased through an OEM dealer. Please contact Generac Mobile Products, LLC with questions.

# GENERATOR ASSEMBLY



03832

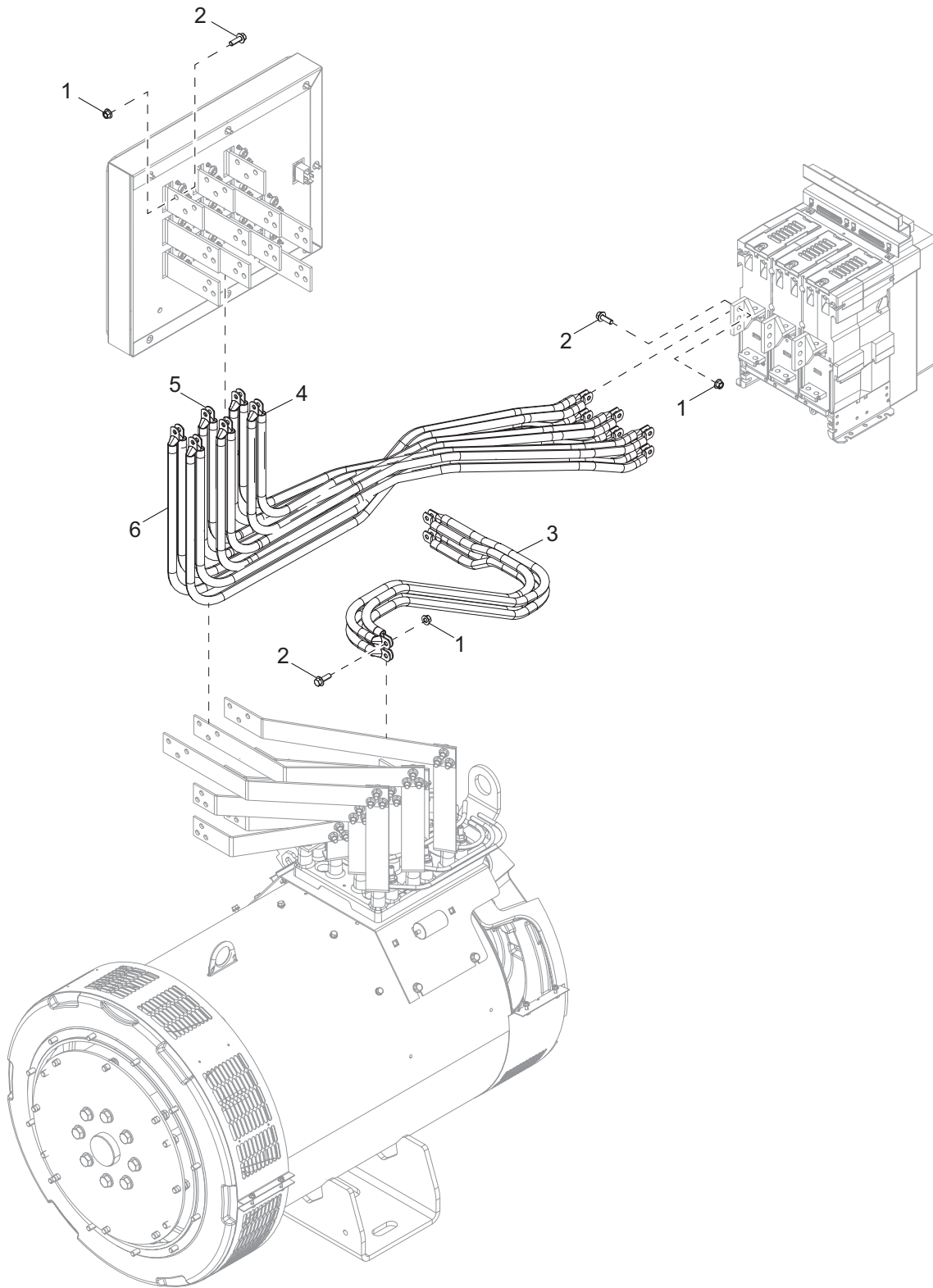


## GENERATOR ASSEMBLY

Item	Part No.	Qty	Description	Notes
1	A0001535173	1	ST03 GENERATOR BOX TOP	
2	A0001535170	1	ST03 GENERATOR BOX FRONT	
3	0C2454	32	SCREW HWHT M6-1 X 16 N WA Z/JS	
4	G049814	10	SCREW HHC M10-1.5 X 25 C8.8	
5	A0002459805	1	ALTERNATOR-STANDARD-AREP	
--	A0001330723	1	ALTERNATOR-SUPERSTART-AREP	SUPERSTART
--	A0001330734	1	ALTERNATOR-VFLEX-AREP	VFLEX
6	A0001298691	1	LSA PMG 46.3 47.2	
7	A0001535172	1	ST03 GENERATOR BOX RIGHT	
8	A0001535165	1	ST03 GENERATOR BOX REAR	
9	G052859	8	NUT TOP LOCK FL M10-1.50	
10	A0001535175	4	ST03 BRACKET ALTERNATOR	
11	A0001535171	1	ST03 GENERATOR BOX LEFT	
12	24540	1	HOLDER, MANUAL (PLASTIC)	
13	A0001540896	1	BUS BAR L3	
14	A0001540895	1	BUS BAR L2	
15	A0001539350	1	BUS BAR L1	
16	A0001540909	1	BUS BAR T9	
17	A0001540908	1	BUS BAR T8	
18	A0001540916	1	BUS BAR T6	
19	A0001540915	1	BUS BAR T5	
20	A0001539358	1	BUS BAR T4	
21	60064	57	NUT, M10-1.50 SFLG G8.8 ZC LOCK	
22	A0001539365	1	BUS BAR NEUTRAL	
23	A0001539348	1	BUS BAR NEUTRAL BOND	
24	10000022906	57	SCREW HHFC M10-1.5 X 30 C8.8	
25	A0001541379	4	BUSBAR, LINKBOARD, MDG570	
26	A0001539360	3	BUS BAR VERTICAL SHORT	
27	A0001539356	3	BUS BAR VERTICAL	
28	A0001539352	3	BUS BAR VERTICAL LONG	
--	A0002192947	1	DECAL VOLTAGE TOGGLE SWITCH (STD)	
--	A0002192944	1	DECAL VOLTAGE TOGGLE SWITCH (VLFEX)	
--	A0002352120	1	DECAL ISO ALTERNATOR LIFT	
--	A0002355992	1	DECAL ISO GENERATOR BACKFEED	
--	A0002355996	1	DECAL ISO SHUNT TRIP	

**Note:** Engine and generator parts used in all Generac Mobile Products, LLC equipment carry the Original Equipment Manufacturer (OEM) warranty unless otherwise stated. OEM warranty parts must be purchased through an OEM dealer. Please contact Generac Mobile Products, LLC with questions.

# GENERATOR CONDUCTOR ASSEMBLY

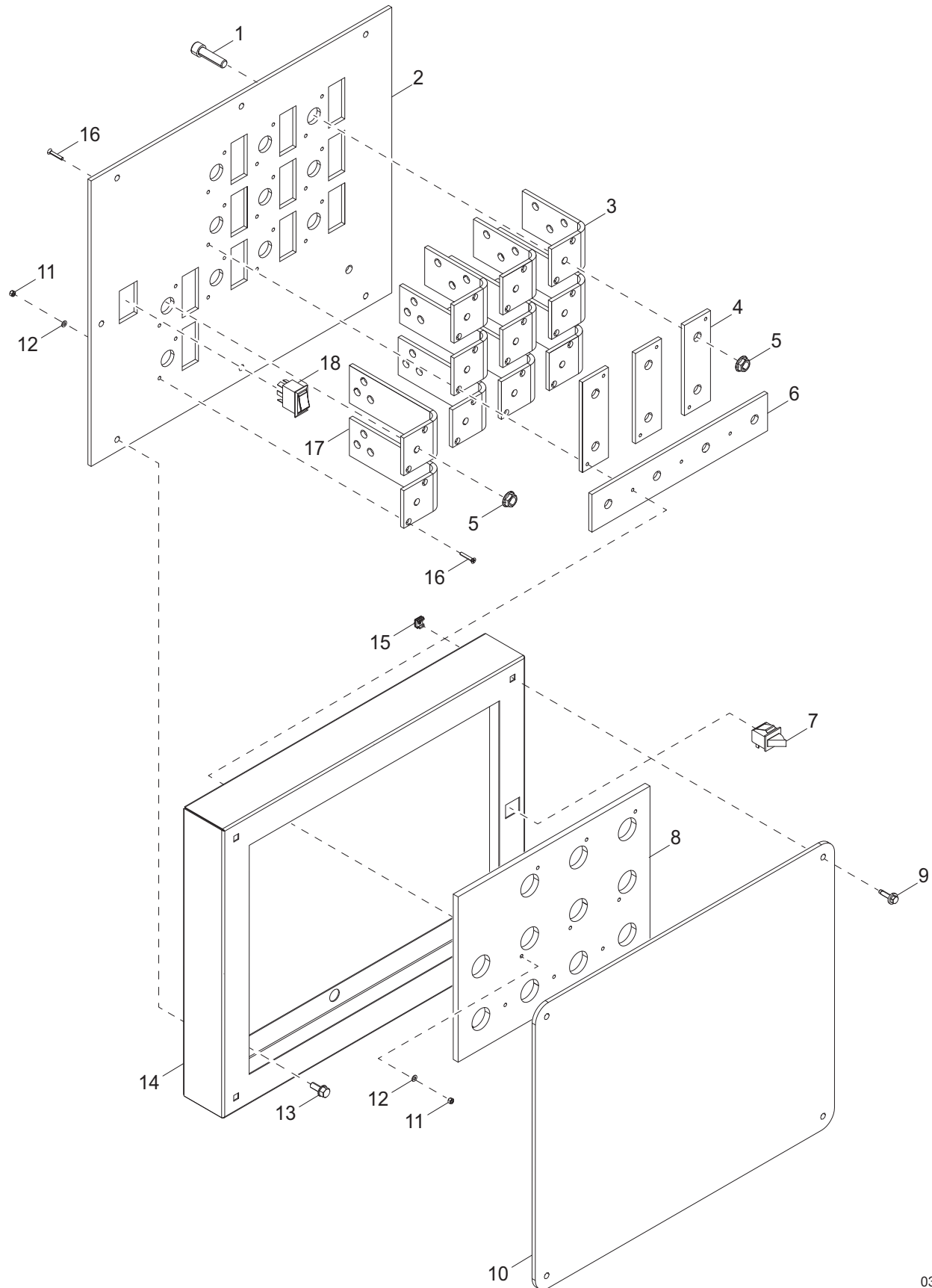


03846

## GENERATOR CONDUCTOR ASSEMBLY

Item	Part No.	Qty	Description	Notes
1	0E5343	28	NUT HEX FL WHIZ M10-1.50	
2	10000022906	28	SCREW HHFC M10-1.5 X 30 C8.8	
3	A0001674316	4	CABLE LINKBOARD TO AC L0	
4	A0001674328	4	CABLE LINKBOARD TO AC L1	
5	A0001674333	4	CABLE LINKBOARD TO AC L2	
6	A0001674334	4	CABLE LINKBOARD TO AC L3	
--	A0001667941	1	CABLE LINKBOARD TO RECEPT T7	Not Shown
--	A0001674313	1	CABLE LINKBOARD TO RECEPT L0	Not Shown
--	A0001665114	1	CABLE LINKBOARD TO RECEPT T9	Not Shown

# LINK BOARD ASSEMBLY

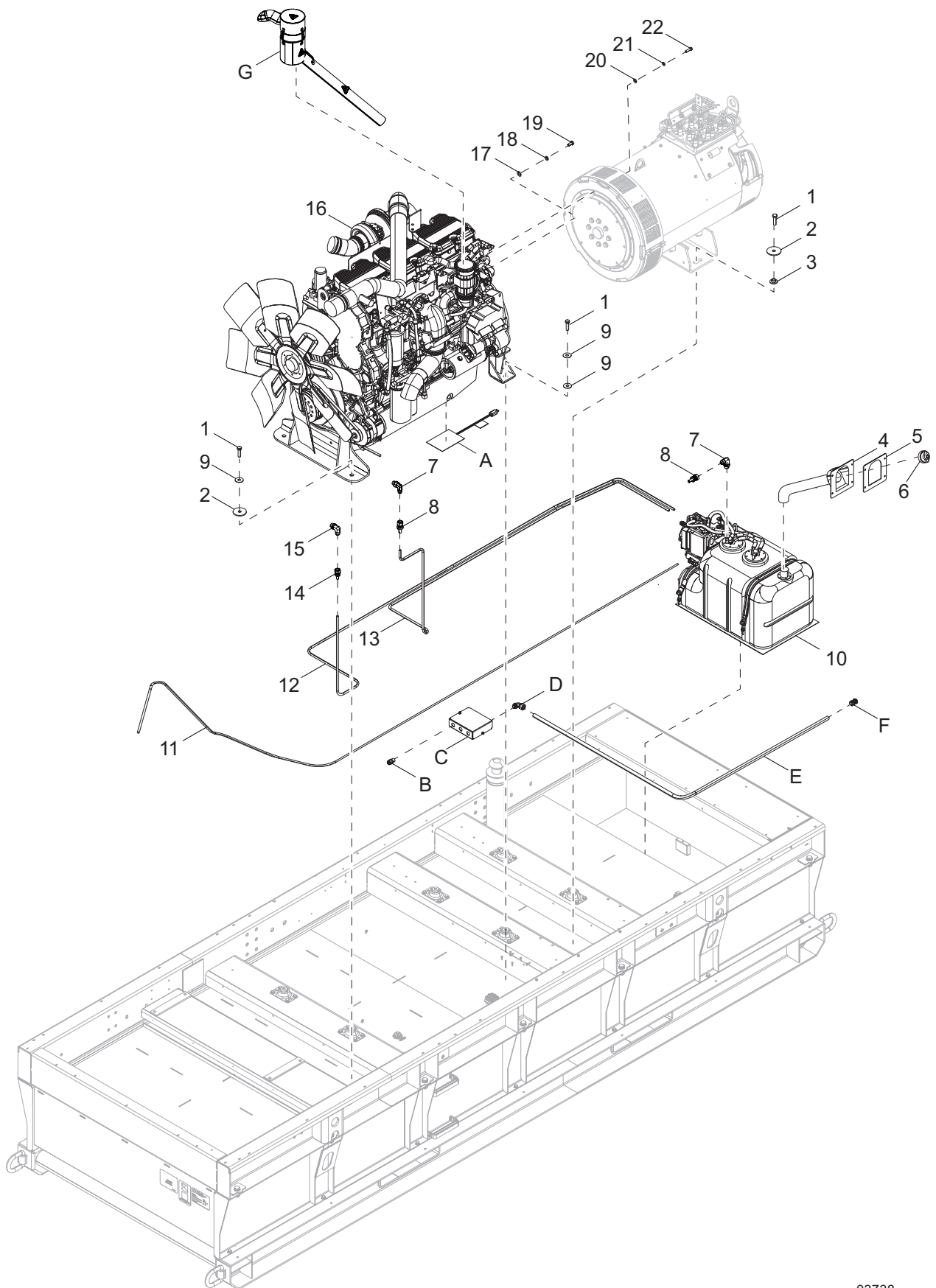


03737

## LINK BOARD ASSEMBLY

Item	Part No.	Qty	Description	Notes
1	G059982	11	SCREW SHC M12-1.75 X 45 C12.9	
2	A0001539342	1	PANEL GLASTIC RECONNECT	
3	A0001539344	11	BUS RECONNECT UPPER	
4	51170	3	BUS,SHORTING BOARD,SHORT,625	
5	60148	11	NUT, M12-1.75 SFLG G8.8 ZC	
6	51169	1	BUS,SHORTING BOARD,LONG,625	
7	12632	1	SWITCH, TRIGGER SAFETY, N.O. & N.C.	
8	51168	1	SHORTING BOARD,625	
9	0C2454	4	SCREW HWHT M6-1 X 16 N WA Z/JS	
10	51712	1	PANEL, POLY WINDOW / COVER RECONNECT	
11	0E6480	22	NUT HEX LOCK M4-0.7 NY INS	
12	G043180	22	WASHER FLAT M4	
13	0G5445	4	SCREW HHTT M8-1.25 X 20	
14	A0001582048	1	ST03 PANEL RECONNECT FRONT	
15	A0001585413	4	CAGE NUT M6 0.635-1.6MM THICKNESS	
16	A0001589489	22	SCREW PFHM M4-0.7 X 25	
17	A0001539346	8	BUS RECONNECT LOWER	
18	68530	1	SWITCH, ROCKER, DPDT, ON/ON	
--	A0002192947	1	DECAL VOLTAGE TOGGLE SWITCH (STD)	
--	A0002192944	1	DECAL VOLTAGE TOGGLE SWITCH (VLFEX)	

# ENGINE AND GENERATOR TO UNIT

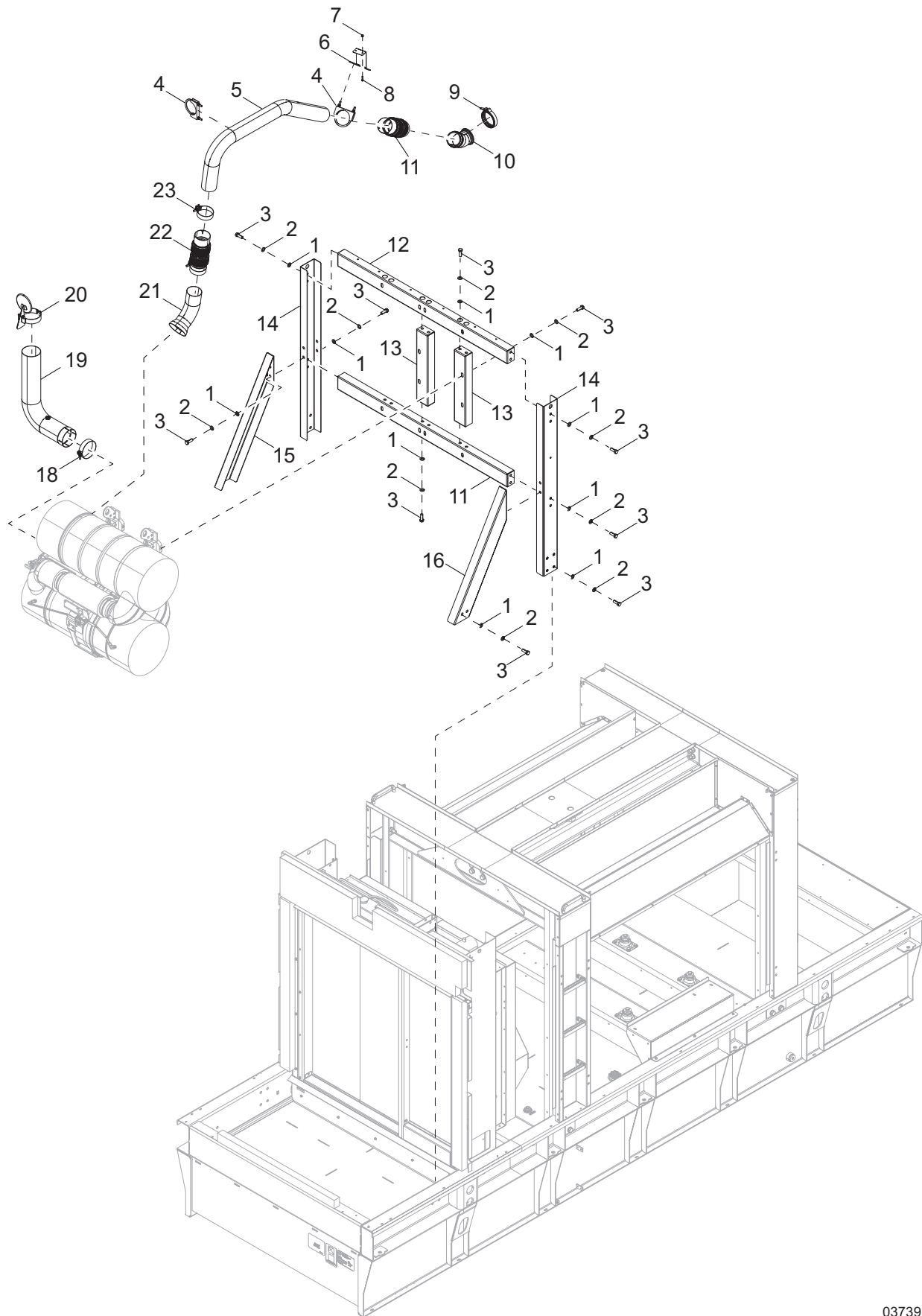


03738

## ENGINE AND GENERATOR TO UNIT

Item	Part No.	Qty	Description	Notes
1	0A7935	6	SCREW HHC 5/8-11 X 2-1/4 G8	
2	0A2602	2	WASHER FLAT .688ID X 3.25OD	
3	0J68740ST03	2	BUSHING RCA TO WEG SPACER	
4	A0002063582	1	ADAPTOR-DEF SYSTEM	
5	A0002692502	1	DEF FILL GASKET	
6	A0002063586	1	CAP-DEF SYSTEM	
7	A0001905698	1	FITTING ELBOW 90 #6 ORBM X #6 JICM	
8	A0001904732	1	FITTING STRT #6 JICF X #6 PUSH-LOK	
9	G049869	6	WASHER FLAT M16	
10	A0002063647	1	TANK-DEF	
11	A0002860206	1	HEATED DEF SUPPLY LINE	
12	A0001916886	15.0 ft	HOSE .375 PUSH-LOK	
13	A0001916886	12.0 ft	HOSE .375 PUSH-LOK	
14	A0001904525	1	FITTING STRT #8 JICF X #6 PUSH-LOK	
15	A0001904537	1	FITTING ELBOW 90 #8 JIC MALE X #8 ORBM	
16	A0001237913	1	ENGINE D18.1L (G22) ELECTROPAK	
17	G022304	8	WASHER FLAT 1/2 ZINC	
18	G022195	8	WASHER LOCK SPRING 1/2 ZC	
19	G051008	8	SCREW HHC 1/2-13 X 1 G8	
20	G022250	12	WASHER FLAT 7/16 ZP	
21	G022302	12	WASHER LOCK SPRING 7/16 ZC	
22	G036824	12	SCREW HHC 7/16-14 X 1-1/2 G5	
<b>OPTIONAL FEATURES</b>				
<i>OIL HEATER (if equipped):</i>				
A	A0001382413	1	SILICON PAD HEATER 120V 1000W 6"X10-3/4"	
B	15864	1	STRAIN RELIEF- .50 NPT WATERTIGHT .270/.464 ID	
<i>SHORE POWER (if equipped):</i>				
C	A0002459812	1	BOX-JUNCTION-HEATER-SHORE	
D	A0000510226	1	ELBOW 90 1/2 MNPT X 1/2 LIQUID-TIGHT	
E	MAC0136	1	FLEX SEALTITE 1/2 IN	
F	MAC0380	1	CONNECTOR LT STEEL 1/2 IN STR	
<i>CCV HEATER (if equipped):</i>				
G	A0002459813	1	ASSY-HEATER-OCV	
--	A0001501750	1	CONNECTION HOSE BLANKET REV. 00	w/ A0002459813
--	A0001501770	1	OCV FILTER HOUSING TOP BLANKET REV. 00	w/ A0002459813
--	A0001501771	1	OCV FILTER HSG BOTTOM BLANKET REV. 00	w/ A0002459813
--	A0001501772	1	VENTED HOSE BLANKET REV. 00	w/ A0002459813
--	A0002090192	1	HEAT TRACE CABLE 9W/FT TSTAT 24VDC	w/ A0002459813

# EXHAUST SYSTEM



03739

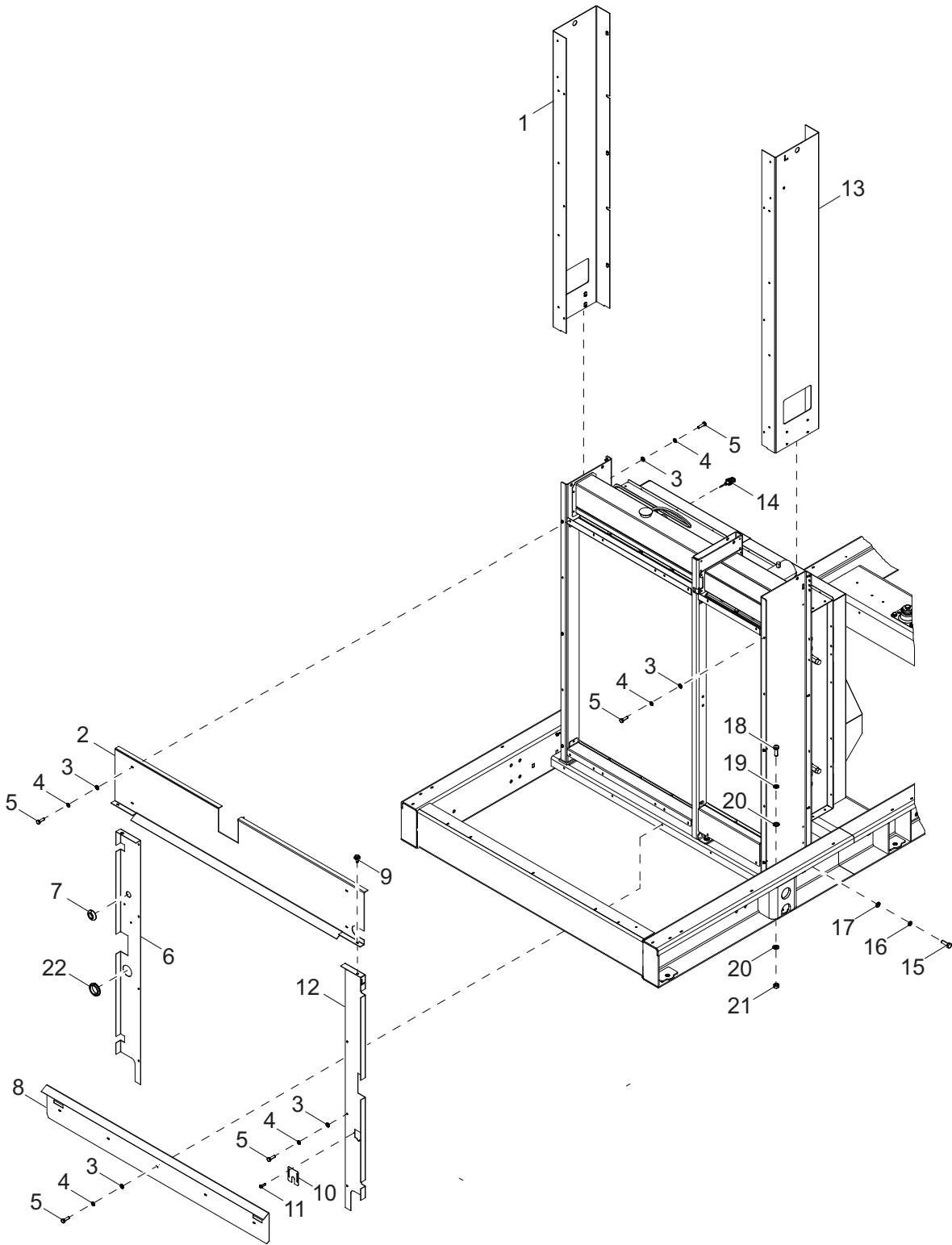


## EXHAUST SYSTEM

Item	Part No.	Qty	Description	Notes
1	0A1646	40	WASHER FLAT M16	
2	G070265	40	WASHER LOCK M16	
3	0A2601	40	SCREW HHC M16-2.0 X 45 C8.8	
4	G083468	2	BOLT U 3/8-16 X 4	
5	A0001532945	1	EXHAUST TUBE SECTION 1 4" OD	
6	A0001819951	1	ST03 EXHAUST BRACKET	
7	0D3700	2	NUT FLANGE M6-1.0 NYLOK	
8	0G6131	2	SCREW HHC M6-1.00 X 30 C8.8 FT	
9	REF (1)	2	CLAMP BAND	
10	REF (1)	1	EXHAUST TUBE SECTION	
11	REF (1)	1	EXHAUST TUBE SECTION	
12	A0001516641	2	ST03 ATS SUPPORT BRACKET 02	
13	A0001516642	2	ST03 ATS SUPPORT BRACKET 01	
14	A0001516640	2	ST03 ATS SUPPORT POST	
15	A0001516644	1	ST03 ATS ANGLED SUPPORT LH	
16	A0001516643	1	ST03 ATS ANGLED SUPPORT RH	
17	A0001520861	1	CLAMP BAND 5" NOMINAL	
18	A0001520592	1	ELBOW ATS NOX OUTLET EXHAUST 5"OD	
19	G065805	1	RAIN CAP 5.00 / 5.19	
20	A0001531293	1	EXHAUST SECTION 2 4" OD 5" BALL CLAMP	
21	REF (1)	1	EXHAUST TUBE SECTION	
22	A0001531293	1	EXHAUST SECTION 2 4" OD 5" BALL CLAMP	
--	A0001535273	1	BLANKET EXHAUST	

(1) See Generac Engine Manual p/n A0002459871

# COOLING SYSTEM ASSEMBLY

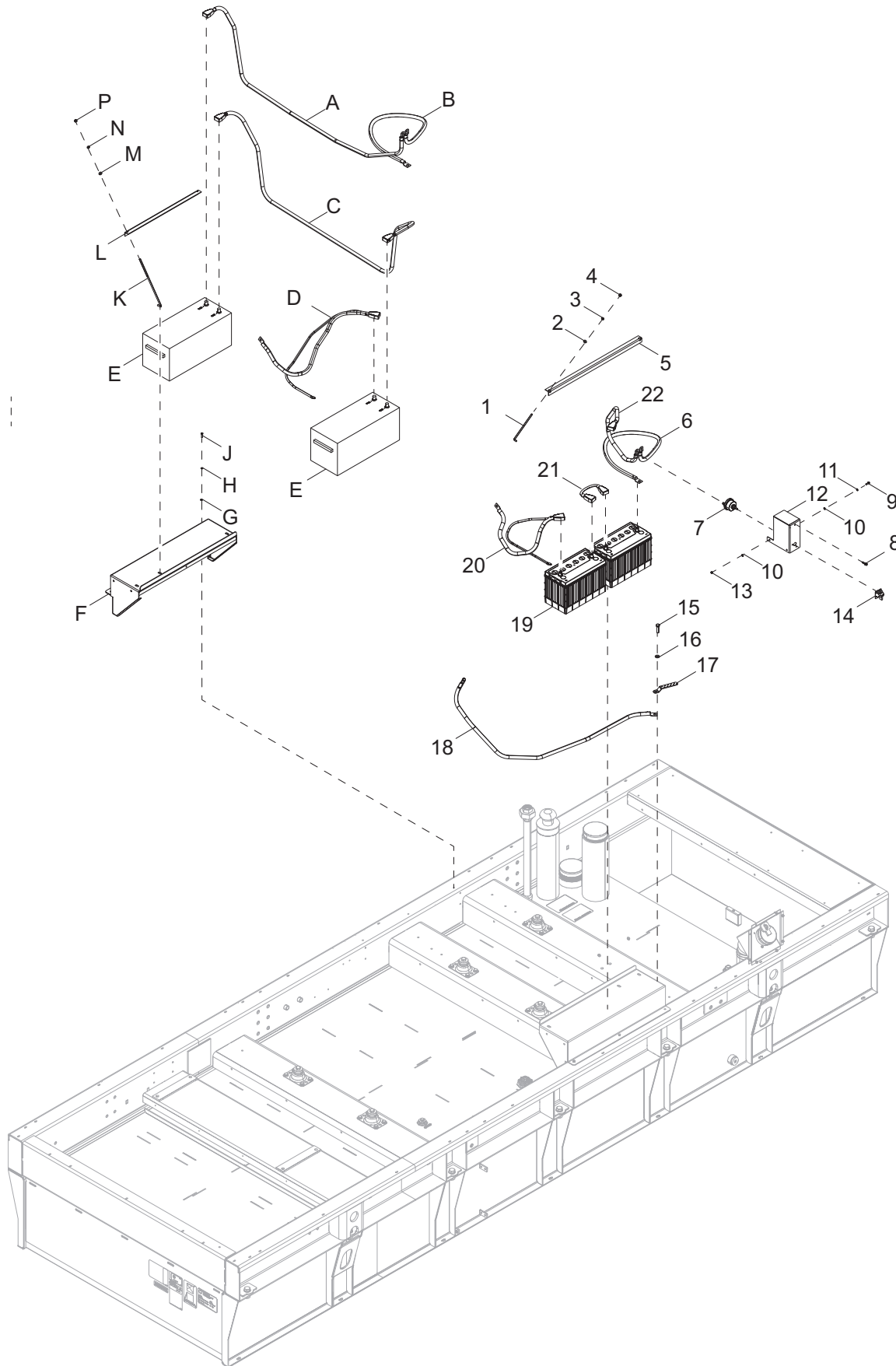


03740

## COOLING SYSTEM ASSEMBLY

Item	Part No.	Qty	Description	Notes
1	A0001477292	1	ST03 WELDMENT RAD VERT SUPPORT RS	
2	A0001521298	1	ST03 RAD TOP BLOCKOFF WITH DEFLECT	
3	G049811	29	WASHER FLAT M6	
4	OJ7513	29	WASHER LOCK M6 CLEAR ZINC	
5	G042568	29	SCREW HHC M6-1.0 X 20 C8.8	
6	A0001522779	1	ST03 RAD RS CUTOFF	
7	A0001380299	1	GROMMET 2.375 X .188 X 2	
8	A0001521300	1	ST03 RAD BOTTOM DEFL SHIELD	
9	OC2454	2	SCREW HWHT M6-1 X 16 N WA Z/JS	
10	OJ01360ST03	1	PLATE WIRE HARN BLOCKOFF	
11	OJ5464	2	SCREW HDPHT M5-0.8 X 16 ZP	
12	A0001522782	1	ST03 RAD LS CUTOFF	
13	A0001478881	1	ST03 WELDMENT RAD VERT SUPPORT LS	
14	A0002197826	1	COOLANT LEVEL SWITCH, 1/4" NPTF	
15	G043107	8	SCREW HHC M8-1.25 X 25 C8.8	
16	OD3919	8	WASHER LOCK M8 ZINC	
17	G058653	8	WASHER FLAT M8	
18	G053554	6	SCREW HHC M14-2.0 X 40 C8.8	
19	G043123	6	WASHER LOCK M14	
20	G052646	12	WASHER FLAT M14	
21	G051779	6	NUT HEX M14-2.0 G8 YEL CHR	
22	G037557	1	GROMMET 1-1/4 X 1/16 X 7/8	

# BATTERY ASSEMBLY/OPTIONS



03750

## BATTERY ASSEMBLY/OPTIONS

Item	Part No.	Qty	Description	Notes
1	G099049	2	J-BOLT M8-1.25 X 300	
2	G058653	4	WASHER FLAT M8	
3	G022129	4	WASHER LOCK M8-5/16	
4	G045771	4	NUT HEX M8-1.25 G8 CLEAR ZINC	
5	A0001501782	2	ST03 BRACKET, BATTERY HOLD DOWN	
6	A0001663598	1	CABLE BATTERY DISCONNECT	
7	65498	1	SWITCH, DISCONNECT	
8	0E7329	1	PILOT LIGHT 8MM AMBER LED	
9	G036701	2	SCREW, 10-32X.500 PAN PHIL G2 ZC	
10	G023897	4	WASHER, #10 FLAT .495/.036 ZC SAE	
11	G022152	2	WASHER, #10 SPLIT LOCK ZC	
12	A0001450893	1	ST03 BRACKET BATTERY DISCONNECT	
13	60061	1	NUT, 10-32 NYLK ZC	
14	65499	1	SWITCH LOCKOUT LEVER KIT	
15	G053559	1	SCREW HHC M12-1.75 X 45 C8.8	
16	G049808	1	WASHER FLAT M12	
17	0F1465	1	BRACKET GROUND BAR	
18	A0001663600	1	CABLE ENGINE GROUND	
19	G061119	2	BATTERY BCI GRP 31 925 CCA	
20	A0001660970	1	ASSY CABLE BATT POS START FUSEBOX 26in	
21	A0000953247	1	BATT CABLE GRP 31 JUMPER	
22	A0001663595	1	CABLE BATTERY TO DISCONNECT GR31	

### OPTIONAL FEATURES

#### *BATTERY CABLE KIT (if equipped):*

A	A0001663593	1	CABLE BATTERY TO DISCONNECT 4D
B	A0001663598	1	CABLE BATTERY DISCONNECT
C	A0001663594	1	CABLE BATTERY JUMPER 4D
D	A0001660986	1	ASSY CABLE BATT POS START FUSEBOX 38in

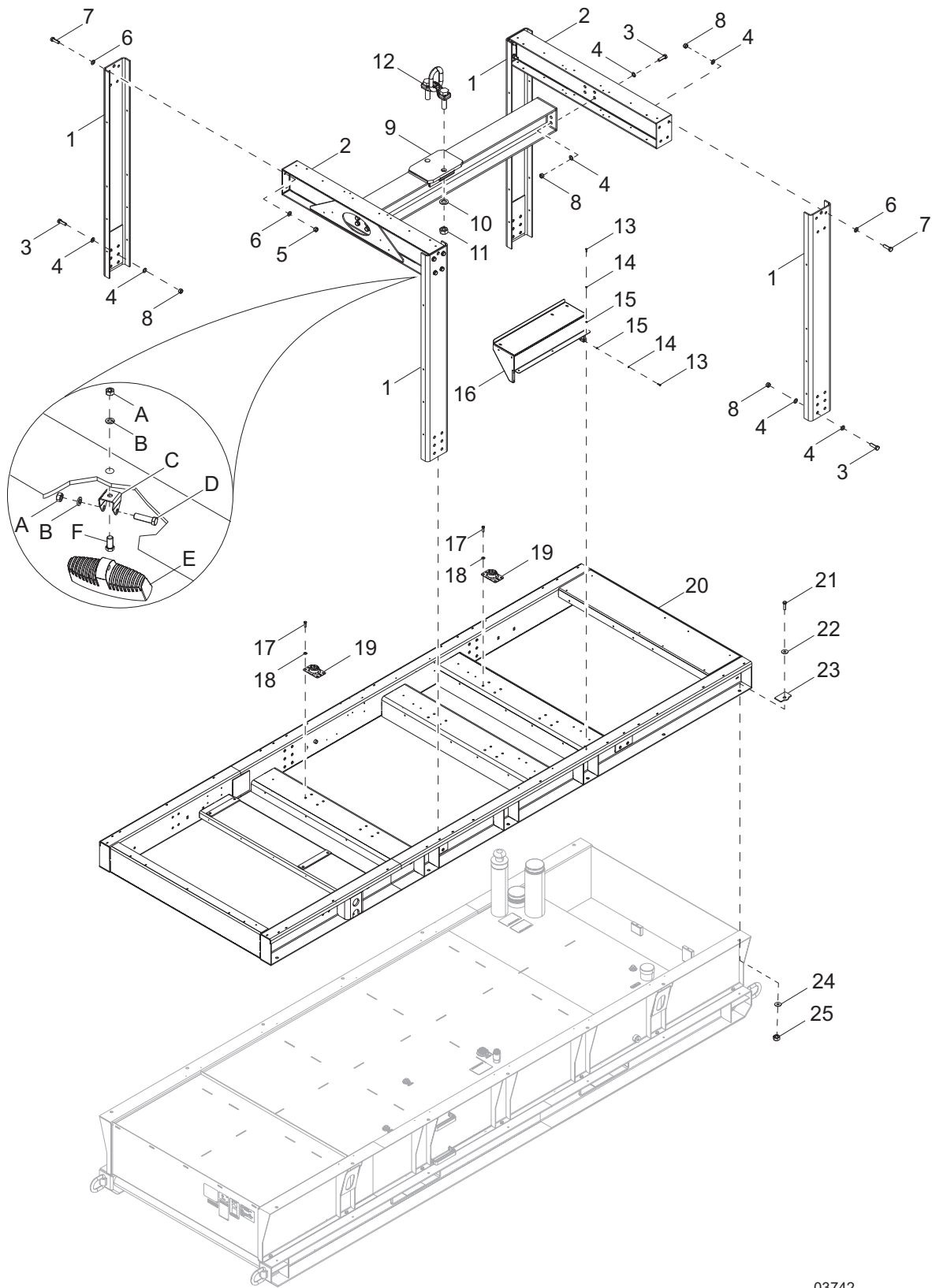
#### *BATTERY 1100 CCA WET CELL (if equipped):*

E	A0001501719	1	4D BATTERY WET 1100CCA
---	-------------	---	------------------------

#### *BATTERY TRAY RH (if equipped):*

F	A0001463352	1	ST03 WELDMENT, BATTERY TRAY
G	G049811	8	WASHER FLAT M6
H	0J7513	8	WASHER LOCK M6 CLEAR ZINC
J	G048107	8	SCREW HHC M6-1.0 X 25 C10.9
K	G099049	2	J-BOLT M8-1.25 X 300
L	A0001501782	1	ST03 BRACKET, BATTERY HOLD DOWN
M	G058653	2	WASHER FLAT M8
N	G022129	2	WASHER LOCK M8-5/16
P	G045771	2	NUT HEX M8-1.25 G8 CLEAR ZINC

# LIFT STRUCTURE ASSEMBLY (1 OF 2)



03742

## LIFT STRUCTURE ASSEMBLY (1 OF 2)

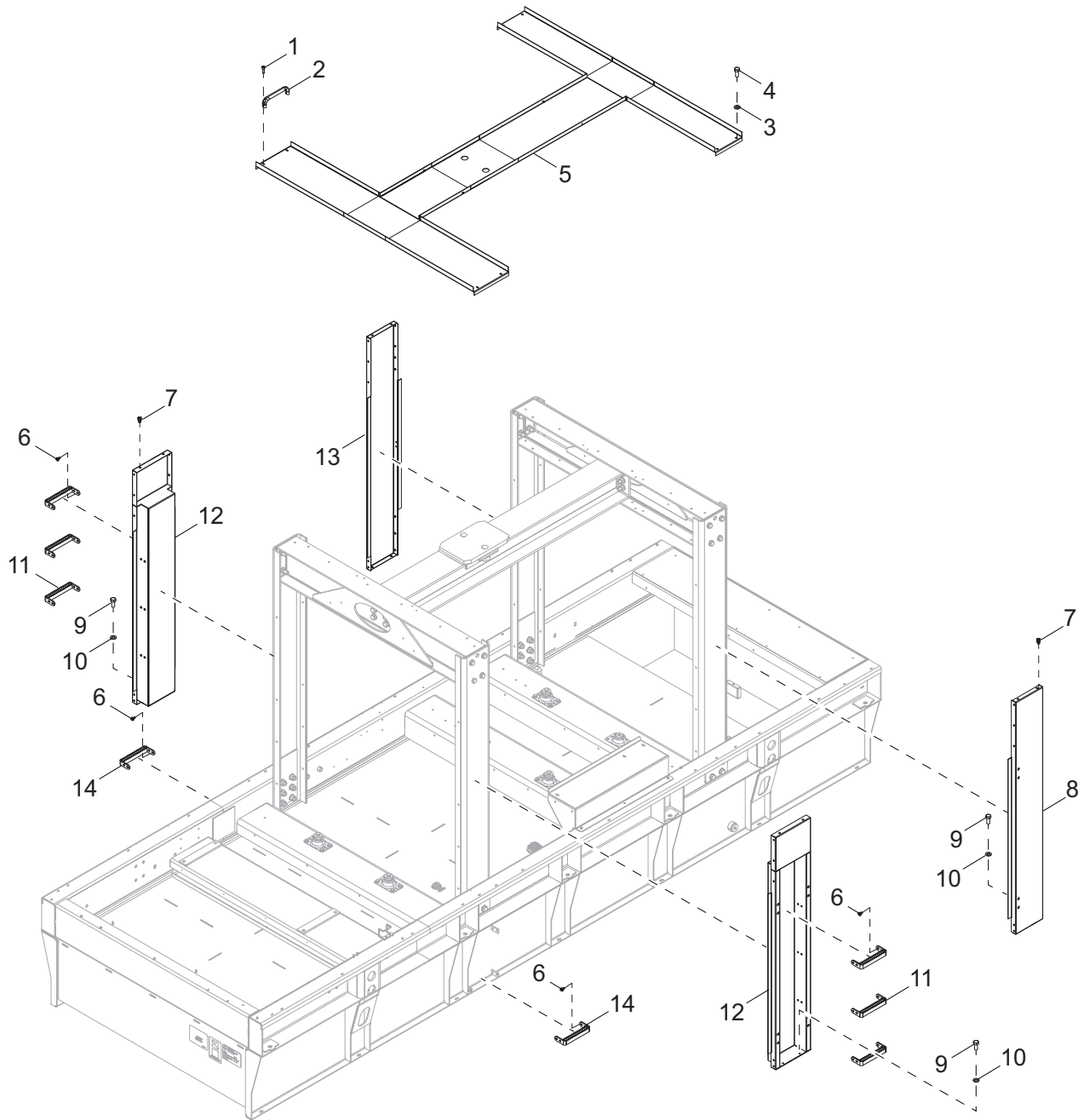
Item	Part No.	Qty	Description	Notes
1	A0001463339	4	ST03 WELDMENT POST SERIES	
2	A0001463390	2	ST03 WELDMENT CROSS MEMBER SERIES 3	
3	A0001464783	36	SCREW HHC M20-2.50 X 65 C10.9	
4	A0000276703	72	WASHER FLAT M20 YEL ZINC	
5	A0001464785	16	NUT HEX M18-2.5 G10	
6	A0001464784	32	WASHER FLAT M18 YEL ZINC	
7	A0001464779	16	SCREW HHC M18-2.50 X 65 C10.9	
8	A0000276701	36	NUT HEX M20-2.5 C10 YEL ZINC	
9	A0001463447	1	ST03 WELDMENT BEAM MAIN SERIES 3	
10	A0001376613	2	WASHER FLAT M36 YEL ZINC	
11	A0000985744	2	NUT HEX M36-4.0 G10	
12	A0000964523	1	LIFTING EYE - 16 TON	
13	G048107	7	SCREW HHC M6-1.0 X 25 C10.9	
14	OJ7513	7	WASHER LOCK M6 BLACK ZINC	
15	G049811	7	WASHER FLAT M6	
16	A0001463352	1	ST03 WELDMENT, BATTERY TRAY	
17	0A7935	6	SCREW HHC 5/8-11 X 2-1/4 G8	
18	G049869	12	WASHER FLAT M16	
19	0F9119A	6	VIB MOUNT MASON RCA-R 2100LB.	
20	G053557	24	SCREW HHC M12-1.75 X 40 C8.8	
21	G049808	24	WASHER FLAT M12	
22	A0001504183	1	ST03 BASEFRAME SERIES 3	
23	A0000276744	14	SCREW HHC M20-2.5 X 50 C10.9	
24	A0000276703	28	WASHER FLAT M20 YEL ZINC	
25	A0001582014	14	ST03 PLATE REINFORCING	
26	G081814	14	WASHER LOCK M20	
27	A0000276701	14	NUT HEX M20-2.5 C10 YEL ZINC	

### OPTIONAL FEATURES

#### *INTERIOR LIGHT KIT (if equipped)*

A	G070004	8	NUT HEX M8-1.25 G8 SS	
B	G070006	8	WASHER LOCK M8 SS	
C	-	4	BRACKET LED LIGHT 6" OVAL	
D	G070010	4	SCREW HHC M8-1.25 X 35 SS FTH	
E	-	4	LIGHT LED 6" OVAL 15W HVY DTY	
F	0A6928	4	SCREW HHC M8-1.25 X 20 SS	
--	0L0170	1	LIGHT LED 6 OVAL 15W HVY DTY	Items A-F
--	A0001832525	1	HARN INT LED LIGHTING MOBILE	

# LIFT STRUCTURE ASSEMBLY (2 OF 2)



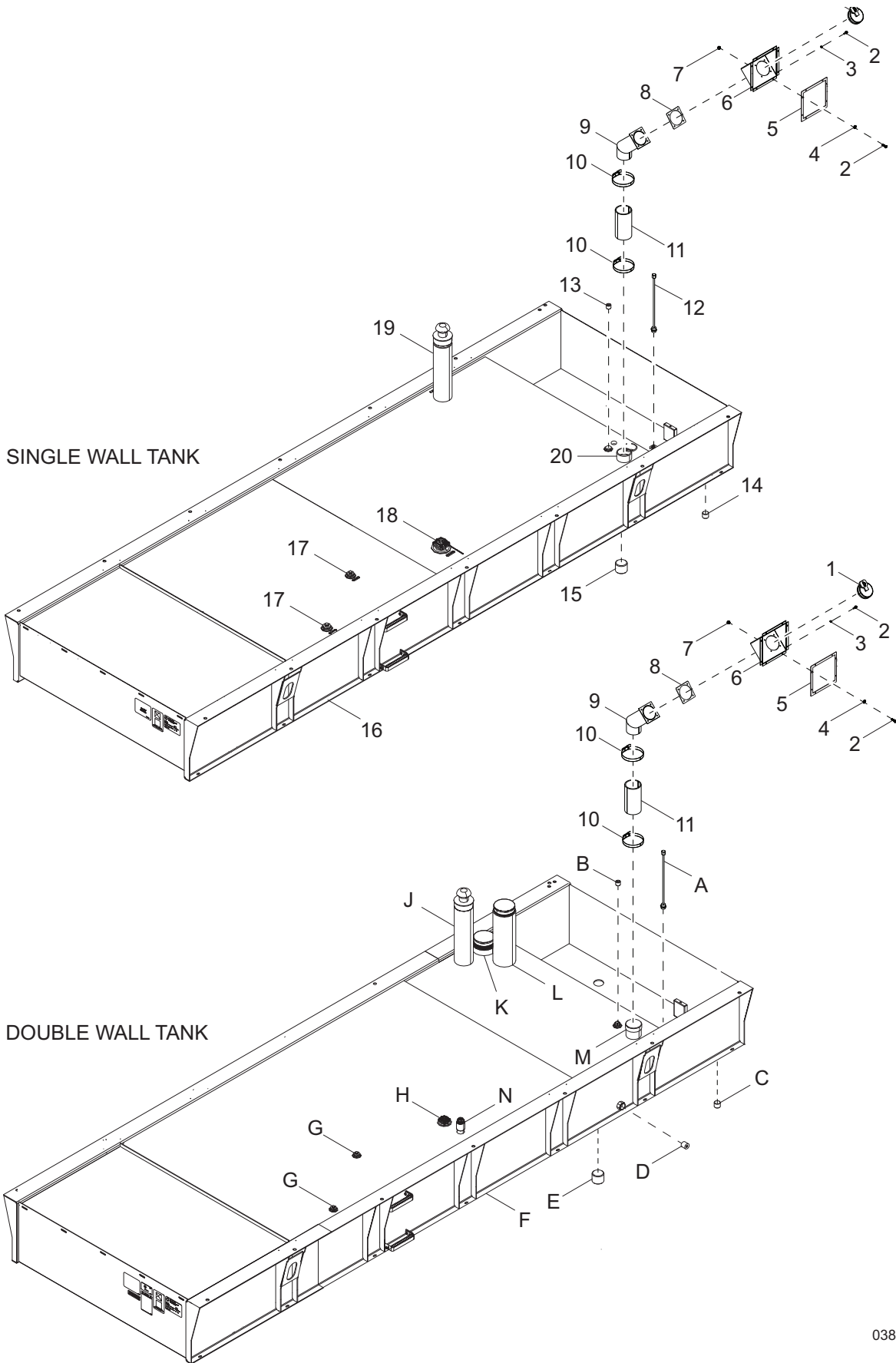
03743



## LIFT STRUCTURE ASSEMBLY(2 OF 2)

Item	Part No.	Qty	Description	Notes
1	G097962	4	SCREW SHC M6-1.0 X 25 C12.9 ZP	
2	A0001048640	2	PULL HANDLE ALUM 8.25" LG	
3	HW1053A00	4	WASHER, BONDED SEALING, GALV	
4	OK8641	4	SCREW HHFC M6-1.0 X 20 NYL WA	
5	A0001642489	1	ST03 WELDMNT ROOF GUTTER SERIES 3	
6	OC2454	40	SCREW HWHT M6-1 X 16 N WA Z/JS	
7	G092120	8	NUT LOCK TRIC M6 X 1.0 Y/ZNC	
8	A0001641300	1	ST03 ENCL LH SIDE UPRIGHT MID	
9	G042568	8	SCREW HHC M6-1.0 X 20 C8.8	
10	G049811	8	WASHER FLAT M6	
11	A0001558868	6	ST03 WLDMNT LIFT STRUCTURE RUNG	
12	A0001641308	2	ST03 ENCL SIDE PANEL WITH LADDER	
13	A0001641297	1	ST03 ENCL RH SIDE UPRIGHT MID	
14	A0001558868	2	ST03 WLDMNT RUNG LIFT STRUCTURE	

# TANK ASSEMBLY



03867

## TANK ASSEMBLY

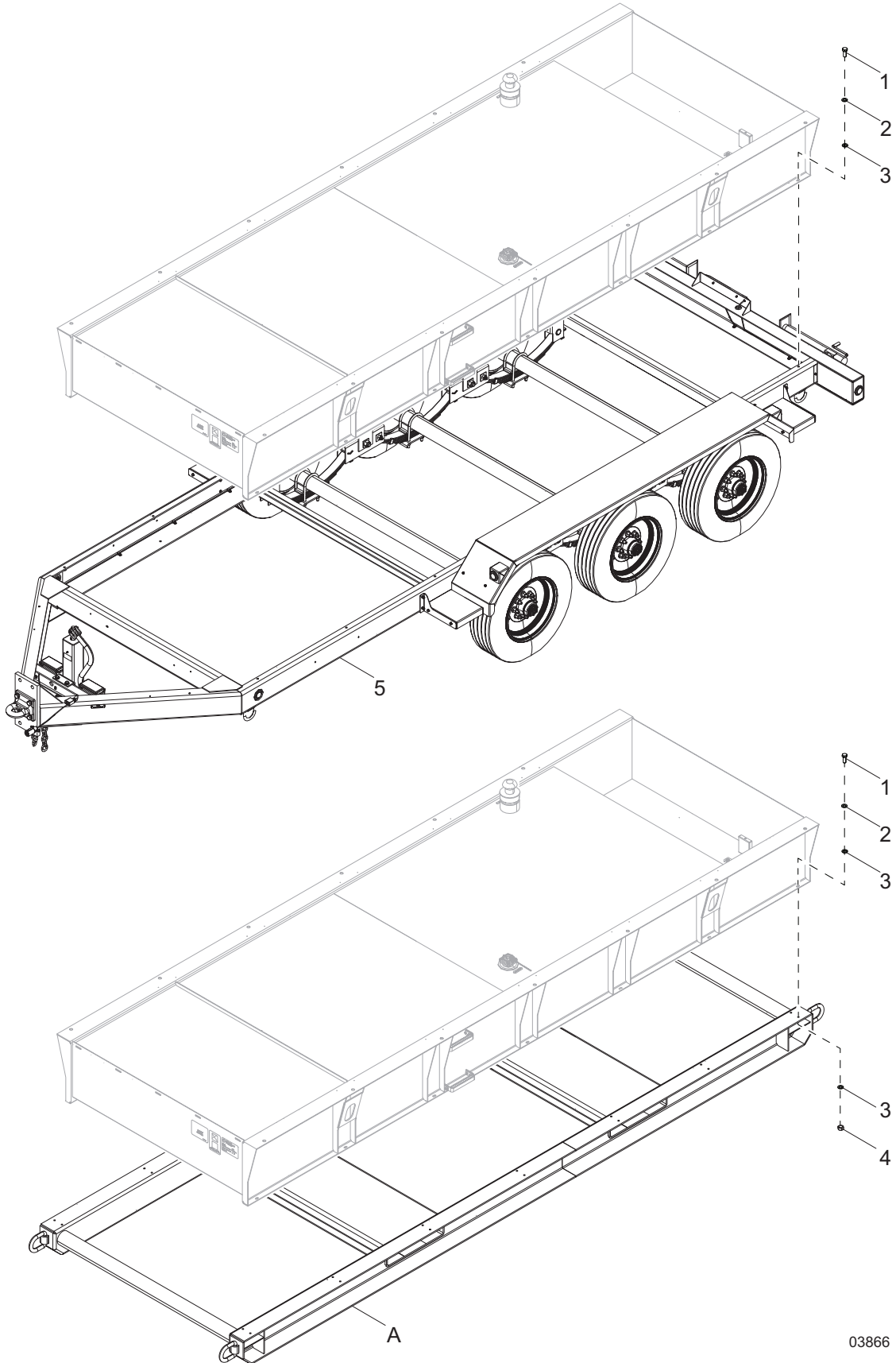
Item	Part No.	Qty	Description	Notes
1	55104	1	CAP, FUEL FILL - 3.50 GRN	
2	61180	12	SCREW PPH 10-32 X .750 18-8 SS	
3	60067	12	WASHER, #10 FLAT .435/.060 18-8 SS	
4	61222	8	WASHER, #10 SEALING	
5	A0002532403	1	GASKET, DIESEL FILL HOUSING	
6	23697B	1	PANEL FUEL INLET - BLACK	
7	60061	4	NUT, 10-32 NYLK ZC	
8	A0002690658	1	GASKET, DIESEL FILL NECK	
9	23710B	1	PIPE, FUEL FILL NECK - 3.50	
10	19842	2	CLAMP, HOSE - SAE 072 (4.06-5.00)	
11	10000020236	1	HOSE, FUEL 4.0 ID X 8.5	
12	A0003763277	1	SWITCH-DEF BASIN-TOP MOUNT	
13	A0003763275	1	PLUG-AUX FILL STEEL 1.0"	
14	A0003763273	2	PLUG-DEF DRAIN ZINC 0.50 "	
15	A0003763274	1	PLUG-DEF DRAIN STEEL 3.0"	
16	A0001468810	1	SINGLE WALL TANK, 770 GAL	Incl. items 12, 13, 14, 15, 17, 18, 19, 20
17	A0003763271	2	TUBE, DIP-FUEL 0.50"	
18	A0003552068	1	ASSY-SENDER-FUEL LEVEL	Incl. A0003432361
--	A0003432361	1	SENDER-FUEL LEVEL	Sender only
19	A0003763272	1	VENT, TANK 2.0"	
20	A0003763276	1	TUBE, 3.50"	

### OPTIONAL FEATURES

#### *DOUBLE WALL TANK (if equipped):*

A	A0003763277	1	SWITCH-DEF BASIN-TOP MOUNT	
B	A0003763275	1	PLUG-AUX FILL STEEL 1.0"	
C	A0003763273	1	PLUG-DEF DRAIN ZINC 0.50 "	
D	A0003763282	1	PLUG-RUPTURE DRAIN-STEEL-1/2"	
E	A0003763274	1	PLUG-DEF DRAIN STEEL 3.0"	
F	A0001353087	1	DOUBLE WALL TANK, 760 GAL	Incl. items A, B, C,D, E, G, H, J, K, L, M, N
G	A0003763271	2	TUBE, DIP-FUEL 0.50"	
H	A0003772569	1	ASSY-SENDER-FUEL LEVEL	Incl. A0003432361
--	A0003432361	1	SENDER-FUEL LEVEL	Sender only
J	A0003763272	1	VENT, TANK 2.0"	
K	A0003763279	1	E-VENT, SECONDARY 5.00"	
L	A0003763279	1	E-VENT, PRIMARY 5.00"	
M	A0003763276	1	TUBE, 3.50"	
N	A0003763374	1	SWITCH-RUPTURE BASIN-TOP MOUNT	

# TANK TO TRAILER OR SKID ASSEMBLY



03866

## TANK TO TRAILER OR SKID ASSEMBLY

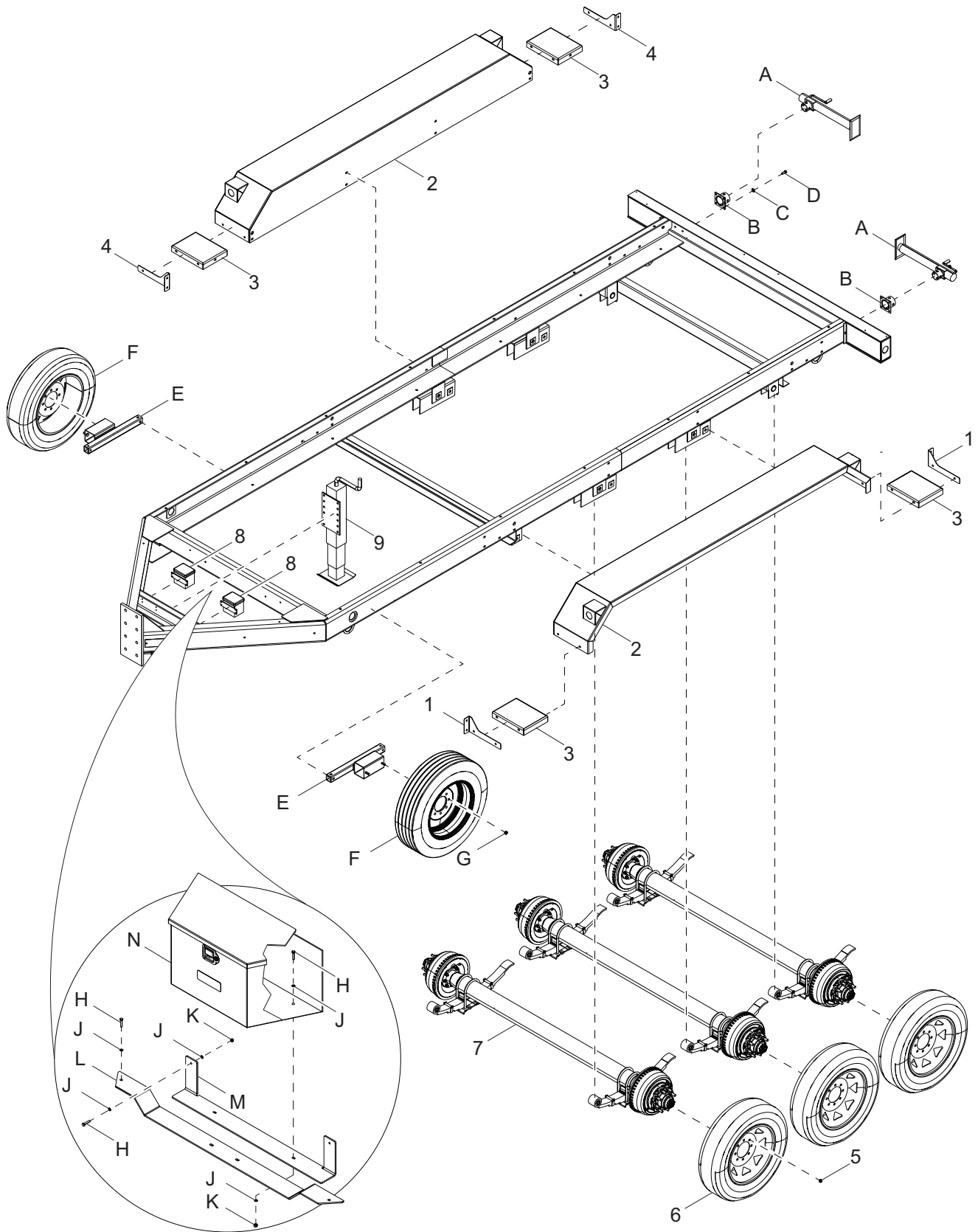
Item	Part No.	Qty	Description	Notes
1	G053607	14	SCREW HHC M12-1.75 X 35 C8.8	
2	G051769	14	WASHER LOCK M12	
3	G049808	28	WASHER FLAT M12	Qty 14 w/trailer
4	0D7119	14	NUT HEX LOCK M12-1.75 NY INS	
5	A0001273305	1	SERIES 3 TRAILER - ELECTRONIC BRAKES	

### OPTIONAL FEATURES

#### SKID ASSEMBLY (if equipped):

A	A0001492873	1	ST03 WELDED MOBILE SKID SERIES 3
---	-------------	---	----------------------------------

# TRAILER ASSEMBLY



03746

## TRAILER ASSEMBLY

Item	Part No.	Qty	Description	Notes
1	A0002790129	2	SUPPORT-STEP-TRAILER-RS	
2	A0002790126	2	FENDER-INTERCHANGEABLE	
3	A0002790128	4	STEP-FENDER-INTERCHANGEABLE	
4	A0002790130	2	SUPPORT-STEP-TRAILER-CS	
5	A0002790145	48	LUG-NUT-FLANGED-5/8-18	
6	A0002790138	6	WHEEL-4805 LB-SRM-BLACK	
7	A0002790123	3	AXLE-SLIPPER SPRING-TRAILER10,000 LB	
8	A0002790124	2	KIT-BREAK AWAY	
9	A0002790140	1	JACK-TONGUE-BOLT ON	
--	A0002790144	1	HARNESS-MAIN-LIGHTING	

### OPTIONAL FEATURES

#### STABILIZER KIT (if equipped):

A	41133	2	JACK, SIDE WIND - 2000 LB TUBE MOUNT
B	11965B	2	WELDMNT, JACK ADAPTER - BLACK
C	60151	8	WASHER, .375 FLAT .810/.060 ZY HARDENED
D	60205	8	SCREW, .375-16X1.000 STD HEX G5 ZC

#### SPARE TIRE KIT (if equipped):

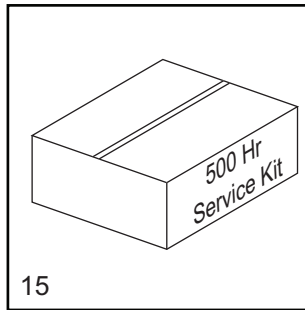
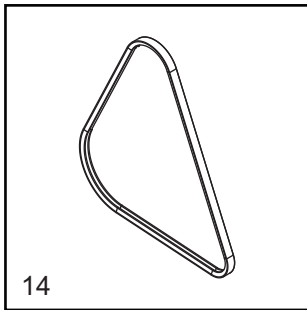
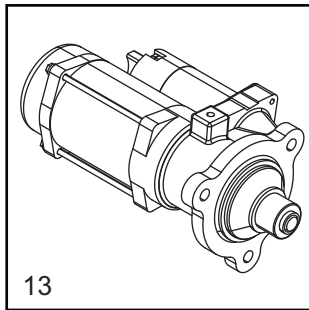
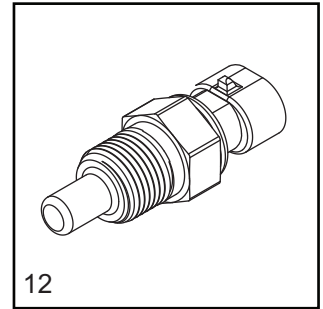
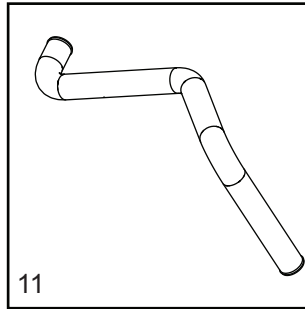
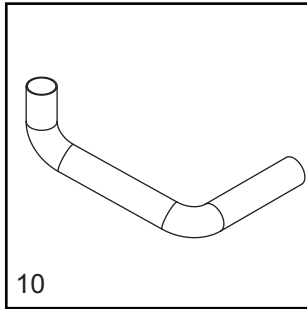
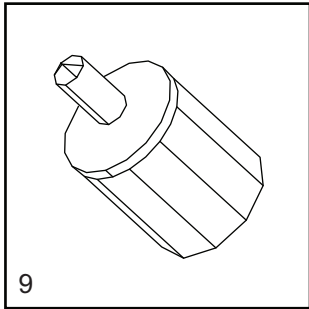
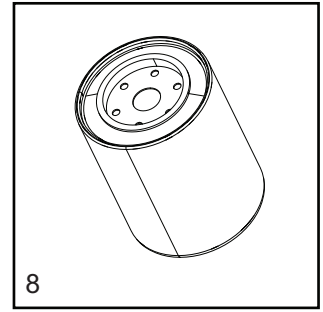
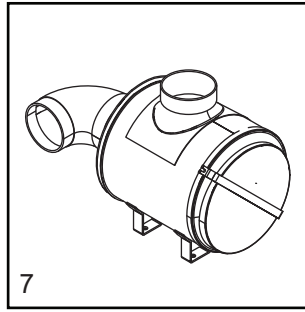
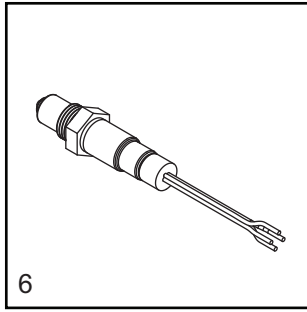
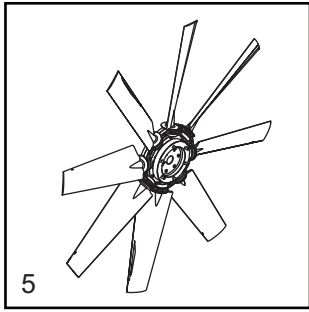
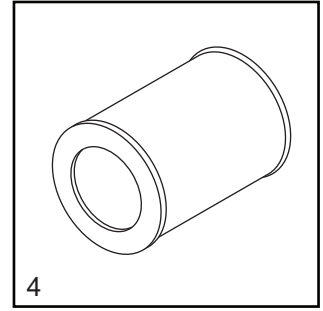
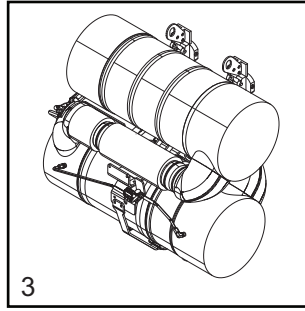
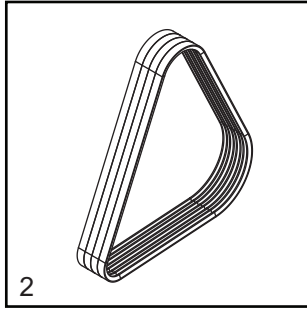
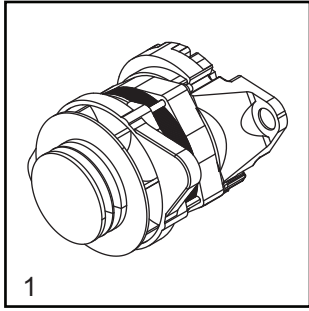
E	A0001768162	2	ST03 WLDMNT SP TIRE MNT
F	A0001625396	2	WHEEL ST215/75R17.5 4805 LB M 81MPH BLK
G	61056	12	NUT, .625-18 LUG 90° G5 ZC WHEEL
--	G061652	4	SCREW HHC M10-1.5 X 85 C8.8
--	G074008	4	WASHER LOCK M10
--	G070264	8	WASHER FLAT M10
--	G045772	4	NUT HEX M10-1.5 G8

#### TOOL BOX (if equipped)

H	G057821	10	SCREW HHC M8-1.25 X 40 C8.8
J	G070264	20	WASHER FLAT M10
K	G045771	10	NUT HEX M8-1.25 G8 CLEAR ZINC
L	A0001404251	1	ST03 BRKT REAR STORAGE BOX MNT SERIES 3
M	A0001404252	1	ST03 BRKT FRNT STORAGE BOX MNT SERIES 3
N	10000025915	1	TOOLBOX (ALUM)

**Note:** Trailer parts used in all Generac Mobile Products, LLC equipment carry the Original Equipment Manufacturer (OEM) warranty unless otherwise stated. OEM warranty parts must be purchased through an OEM dealer. Please contact Generac Mobile Products, LLC with questions.

# RECOMMENDED SPARE PARTS - ENGINE AND SERVICE KITS





## RECOMMENDED SPARE PARTS - ENGINE AND SERVICE KITS

---

### ENGINE

1. ALTERNATOR, ENGINE .....	A0002062184
2. V-BELT .....	A0001784483
3. CATALYST .....	REF (1)
4. ELEMENT, AIR FILTER .....	A0001784482
5. ENGINE FAN .....	A0002062180
6. SENSOR - NOX G22 .....	REF (1)
SENSOR - NOX OUT G22 .....	REF (1)
7. FILTER ASSEMBLY, AIR, REF (2) .....	A0002063823
8. FILTER, OIL .....	A0000221859
9. FILTER, FUEL - G22 .....	A0001784480
10. HOSE, RADIATOR - LOWER .....	REF (1)
11. HOSE, RADIATOR - UPPER .....	REF (1)
12. SENSOR, LOW COOLANT .....	A0002197826
13. STARTER .....	A0002060777
14. BELT-ALTERNATOR MOUNTING .....	A0005090074

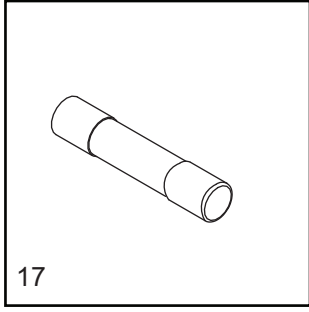
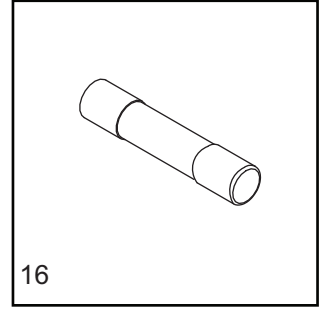
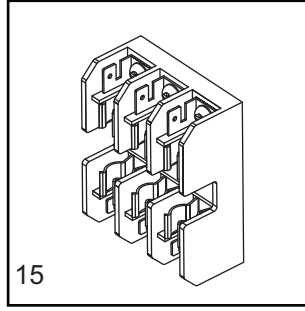
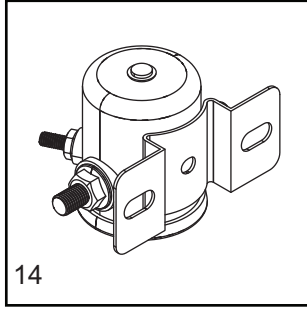
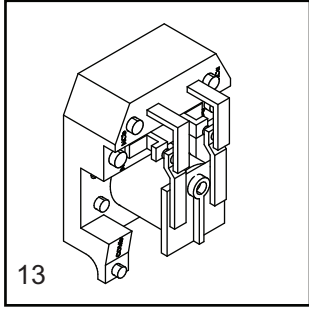
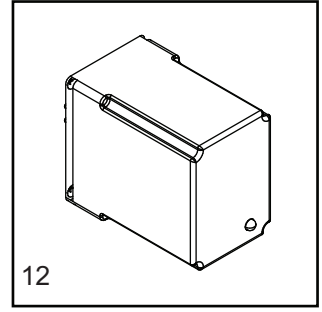
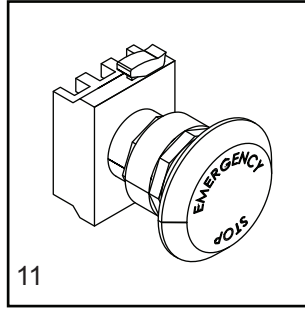
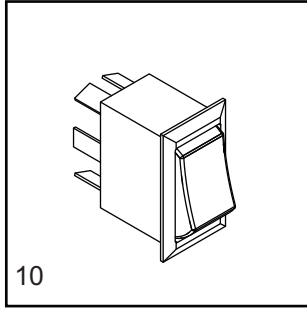
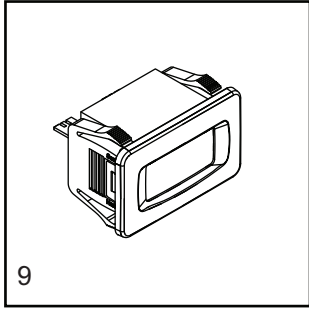
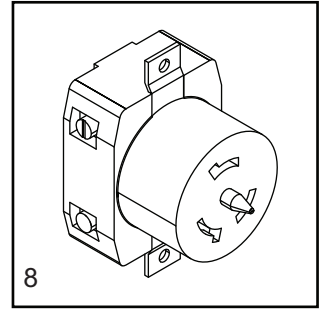
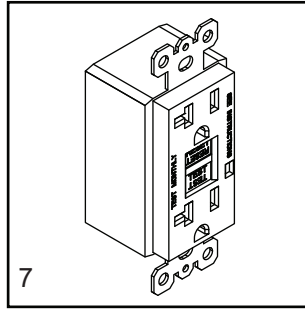
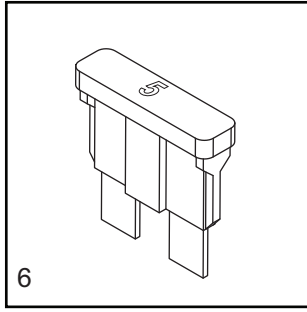
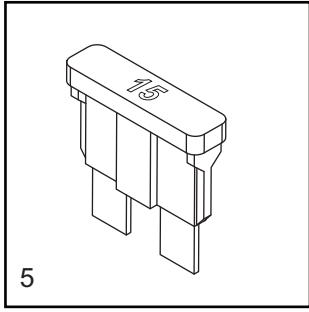
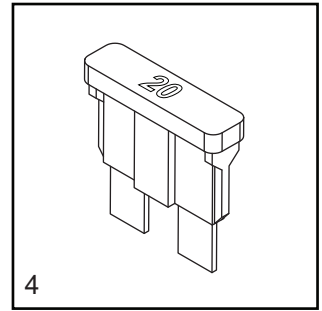
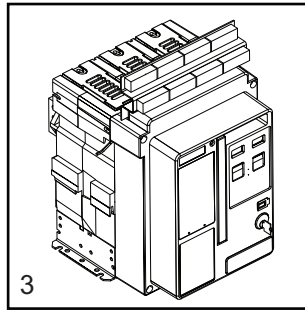
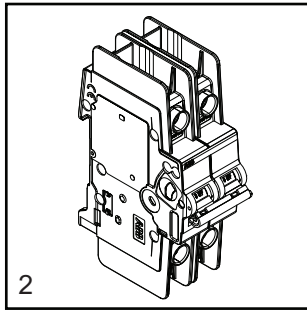
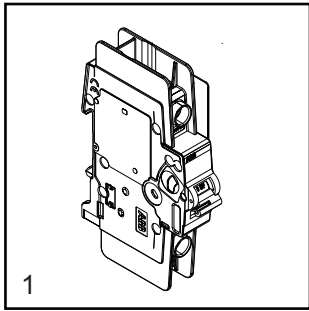
### SERVICE KITS

14. 500 HOUR KIT .....	A0002739810
(2) FILTER-OIL-G22 - A0000221859, (1) FILTER-PRE FUEL-G22 - A0001784472,	
(2) FILTER-FUEL-G22 - A0001784480, (1) FILTER-AIR-MAIN-G22 - A0001784482,	
(3) V-BELT-G22 - A0001784483, (1) BELT-ALTERNATOR - A0005090074	

(1) See Generac Engine Manual p/n A0002459871

(2) Includes housing, element and side cover

# RECOMMENDED SPARE PARTS - ELECTRICAL AND TRAILER



03829

## RECOMMENDED SPARE PARTS - ELECTRICAL AND TRAILER

---

### ELECTRICAL

1. BREAKER 20A SINGLE POLE .....	A0002863000
2. BREAKER 50A 2 POLE.....	A0002863007
3. 1600A NON-MOTORIZED BREAKER.....	A0001371170
1600A MOTORIZED BREAKER.....	A0001404484
4. FUSE ATO TYPE 20 AMP (YELLOW).....	0E7403D
5. FUSE ATO TYPE 15 AMP (BLUE).....	0E7403C
6. FUSE ATO TYPE 5 AMP (TAN).....	0E7403A
7. RECEPTACLE, 125V/20A GFI .....	0F6207
8. RECEPTACLE, 240V/50A TWIST LOCK .....	18089
9. METER, HOUR .....	36886
10. SWITCH, ROCKER, DPDT, ON/ON .....	68530
11. SWITCH, E-STOP ASSEMBLY.....	65470
12. RELAY, VOLTAGE SENSING (132IN 126OUT) .....	66340
13. RELAY, 30A DPDT 120VAC POWER.....	65461
14. RELAY CONTACTOR 24VDC .....	G082982
15. FUSEBLOCK 30A 600V 3POS W/SQ .....	0D2572
16. FUSE, 10 AMP.....	FU0066A04
17. FUSE, 5 AMP.....	FU0066A00

**Note:** To order replacement controller, contact Generac Mobile Products with unit serial number.





Part No. A0001531269 Rev. G 09/13/2023

©2023 Generac Power Systems, Inc.  
All rights reserved.  
Specifications are subject to change without notice.  
No reproduction allowed in any form without prior written consent  
from Generac Power Systems, Inc.

**GENERAC** | **MOBILE**

Generac Power Systems, Inc.  
S45 W29290 Hwy. 59, Waukesha WI 53189  
[GeneracMobileProducts.com](https://www.GeneracMobileProducts.com) | 844-ASK-GNRC | 844-275-4672